



# MULLIONS STANDARD DRAWING PACKAGE

 NEW  REVISED

PAGE	NAME	SCALE
<b>ELEVATIONS</b>		
EL 1	ELEVATION - 1" x 1" MULLIONS	1/4" = 1'-0"
EL 2	ELEVATION - 4" x 1" MULLIONS	1/4" = 1'-0"
<b>EL 1 DETAIL DRAWINGS</b>		
A1	1" x 1" INLINE MULLIONS - HORIZONTAL SECTION THROUGH INLINE GLASS SEAM (TAPED)	4'-0" = 1'-0"
A2	1" x 1" VERTICAL CORNER MULLION - HORIZONTAL SECTION THROUGH 90° GLASS CORNER (MITRED TAPED AND PLASTIC CONNECTOR)	2'-0" = 1'-0"
A3	1" x 1" 3-WAY MULLIONS - HORIZONTAL SECTION THROUGH 90° 3-WAY GLASS CORNER (TAPED)	2'-0" = 1'-0"
 A4	1" x 1" HORIZONTAL CORNER MULLION - HORIZONTAL SECTION THROUGH 90° GLASS CORNER (MITRED TAPED AND PLASTIC CONNECTOR)	2'-0" = 1'-0"
<b>EL 2 DETAIL DRAWINGS</b>		
B1	4" x 1" INLINE MULLION - HORIZONTAL SECTION THROUGH INLINE GLASS SEAM (TAPED)	1'-6" = 1'-0"
B2	4" x 1" INLINE MULLION - VERTICAL SECTION THROUGH INLINE GLASS FASCIA	1'-6" = 1'-0"
B3	4" x 1" INLINE MULLION - MECHANICAL CLIP SECURED TO MULLION SECTION & ISOMETRIC VIEW	4'-0" = 1'-0"
 B4	4" x 1" HORIZONTAL CORNER MULLION - HORIZONTAL SECTION THROUGH 90° GLASS CORNER (MITRED TAPED)	2'-0" = 1'-0"
RH	<b>REVISION HISTORY</b>	<b>N.T.S</b>

INDEX

N.T.S.

MULLIONS STANDARD DRAWING PACKAGE

MAY 20, 2021

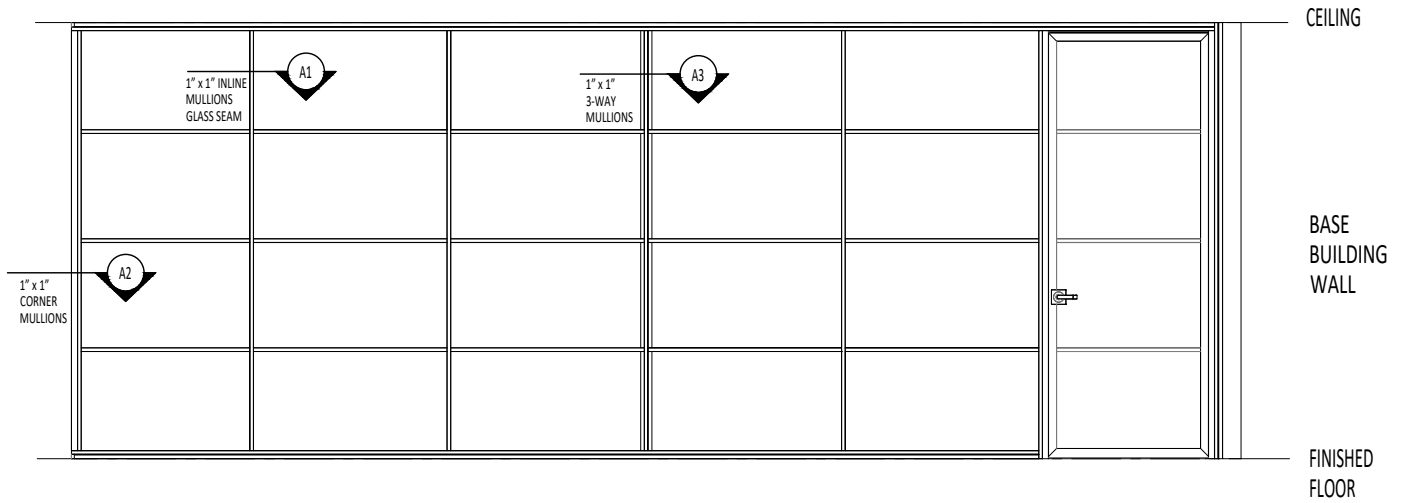
R01

INDEX 01

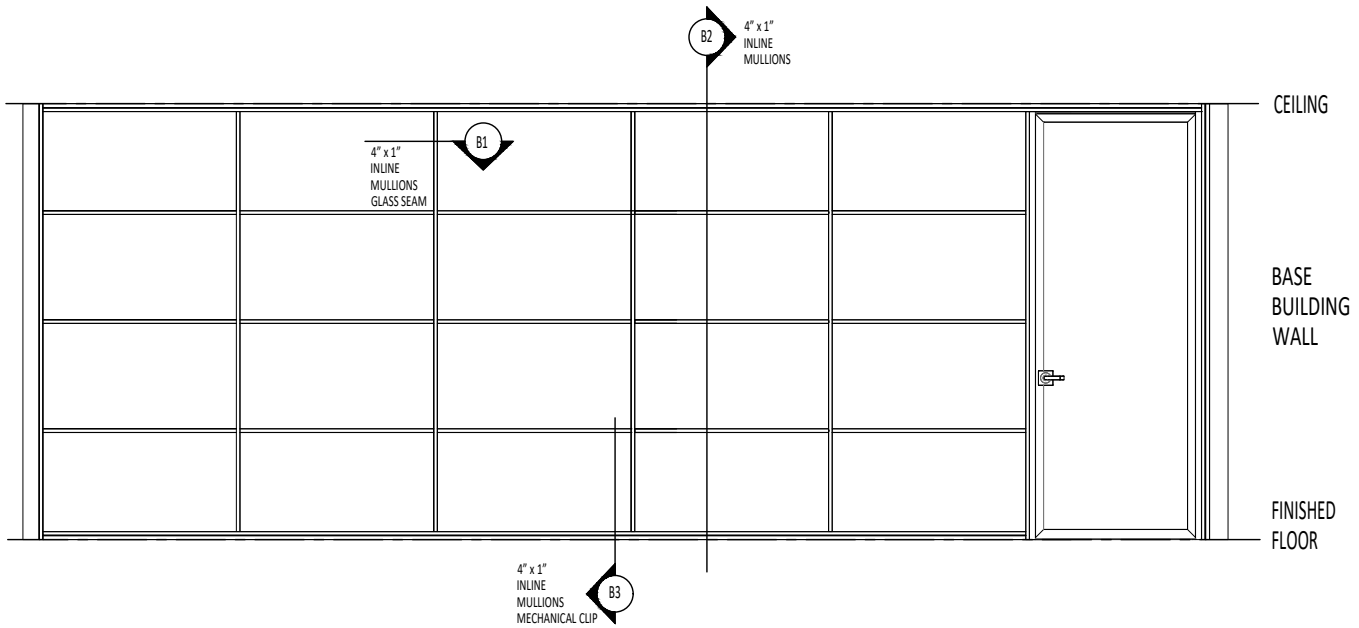
This drawing is the property of Teknion Limited and is subject to return upon demand. It must not be copied or reproduced in any manner, nor submitted to any outside parties for examination without Teknion consent. This drawing must not be scaled, or used for construction purposes.

www.teknion.com

teknion



① ELEVATION 1



② ELEVATION 2

ELEVATIONS

1/4"=1'-0"

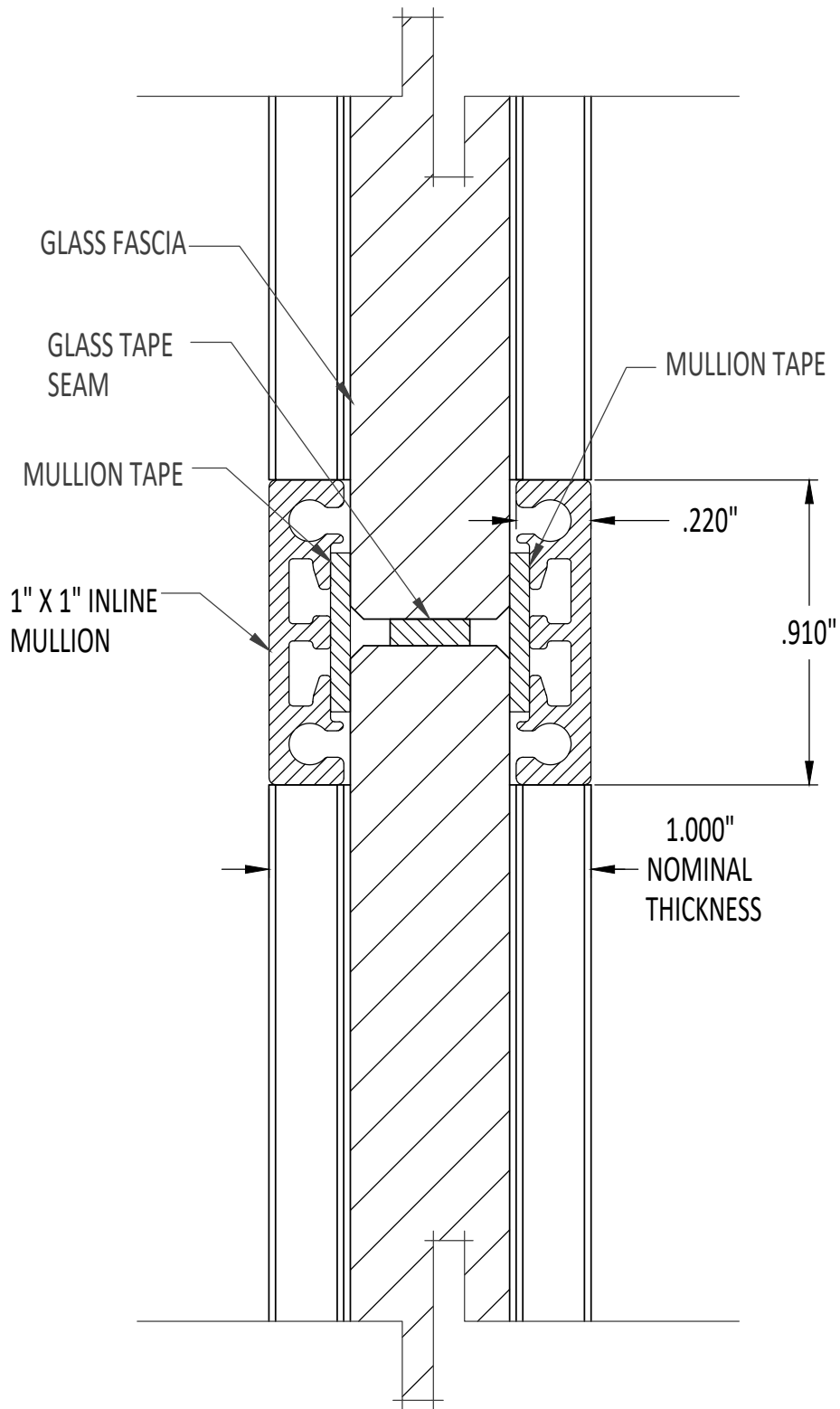
MULLIONS STANDARD DRAWING PACKAGE

NOV 23, 2020

R0

EL 1

This drawing is the property of Teknion Limited and is subject to return upon demand. It must not be copied or reproduced in any manner, nor submitted to any outside parties for examination without Teknion consent. This drawing must not be scaled, or used for construction purposes.



① 1" x 1" INLINE MULLIONS - HORIZONTAL SECTION THROUGH INLINE GLASS SEAM (TAPED)

1" x 1" MULLIONS

4'-0"=1'-0"

MULLIONS STANDARD DRAWING PACKAGE

NOV 23, 2020

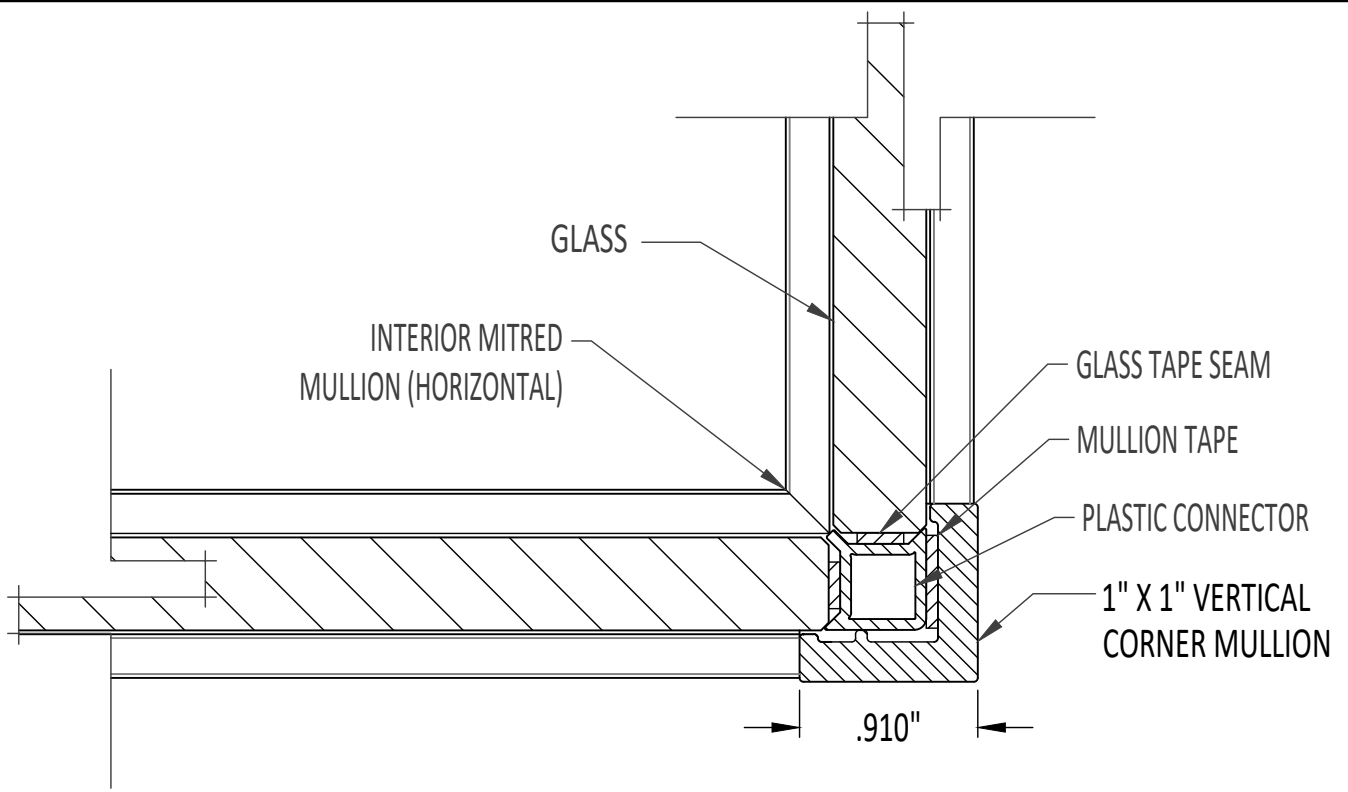
R0

A1

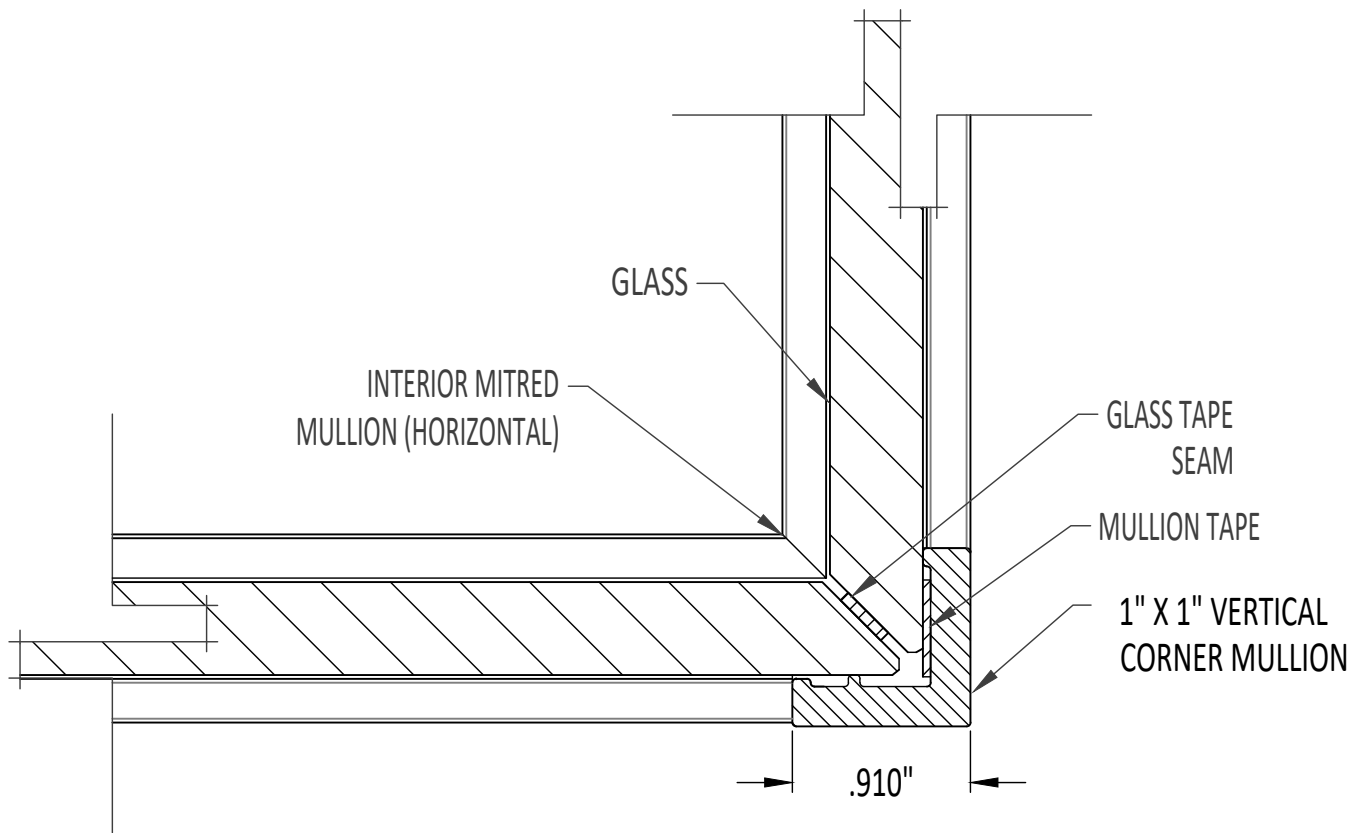
This drawing is the property of Teknion Limited and is subject to return upon demand. It must not be copied or reproduced in any manner, nor submitted to any outside parties for examination without Teknion consent. This drawing must not be scaled, or used for construction purposes.

www.teknion.com

teknion



① 1" x 1" VERTICAL CORNER MULLION- HORIZONTAL SECTION THROUGH 90° GLASS CORNER (PLASTIC CONNECTOR)



② 1" x 1" VERTICAL CORNER MULLION- HORIZONTAL SECTION THROUGH 90° MITRED GLASS CORNER (TAPED)

1" x 1" MULLIONS

2'-0"=1'-0"

MULLIONS STANDARD DRAWING PACKAGE

NOV 23, 2020

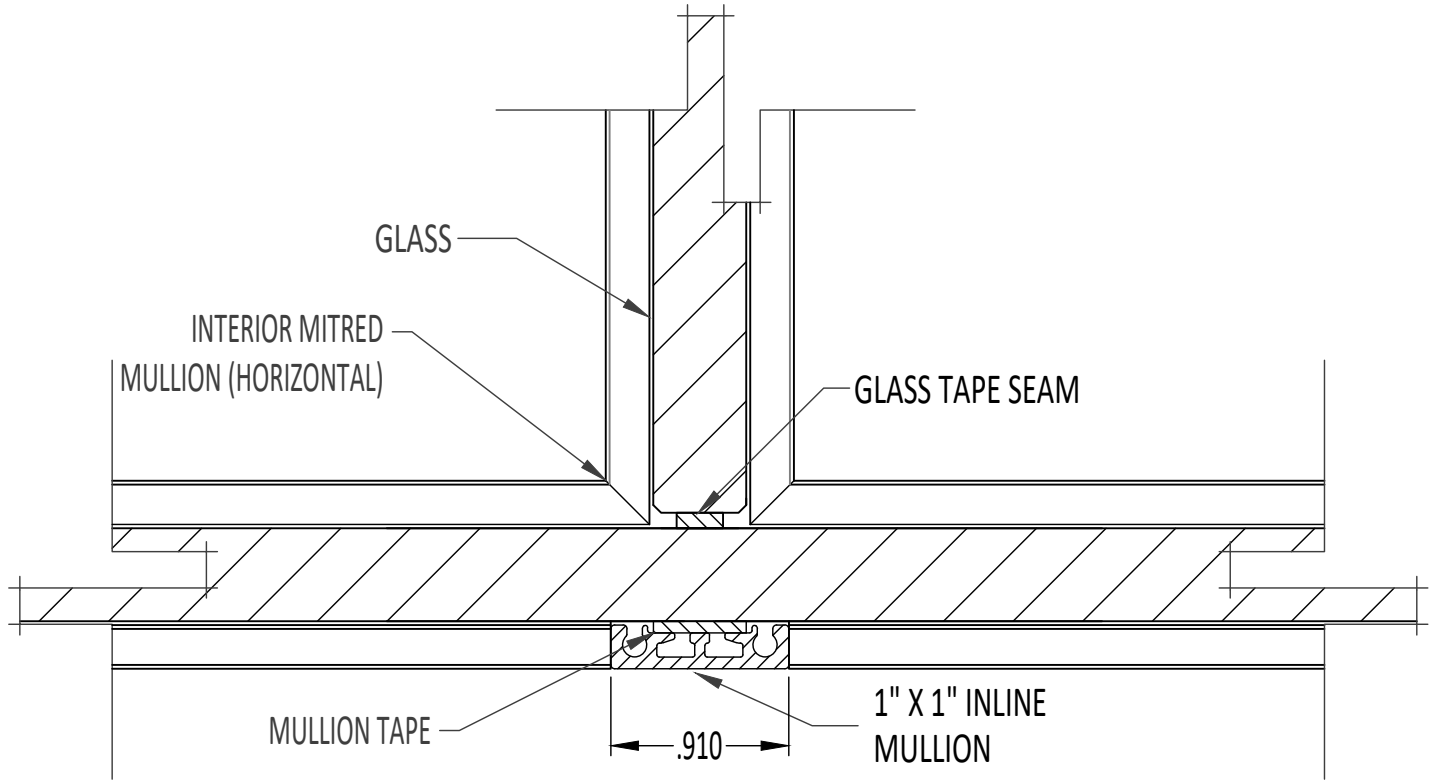
R0

A2

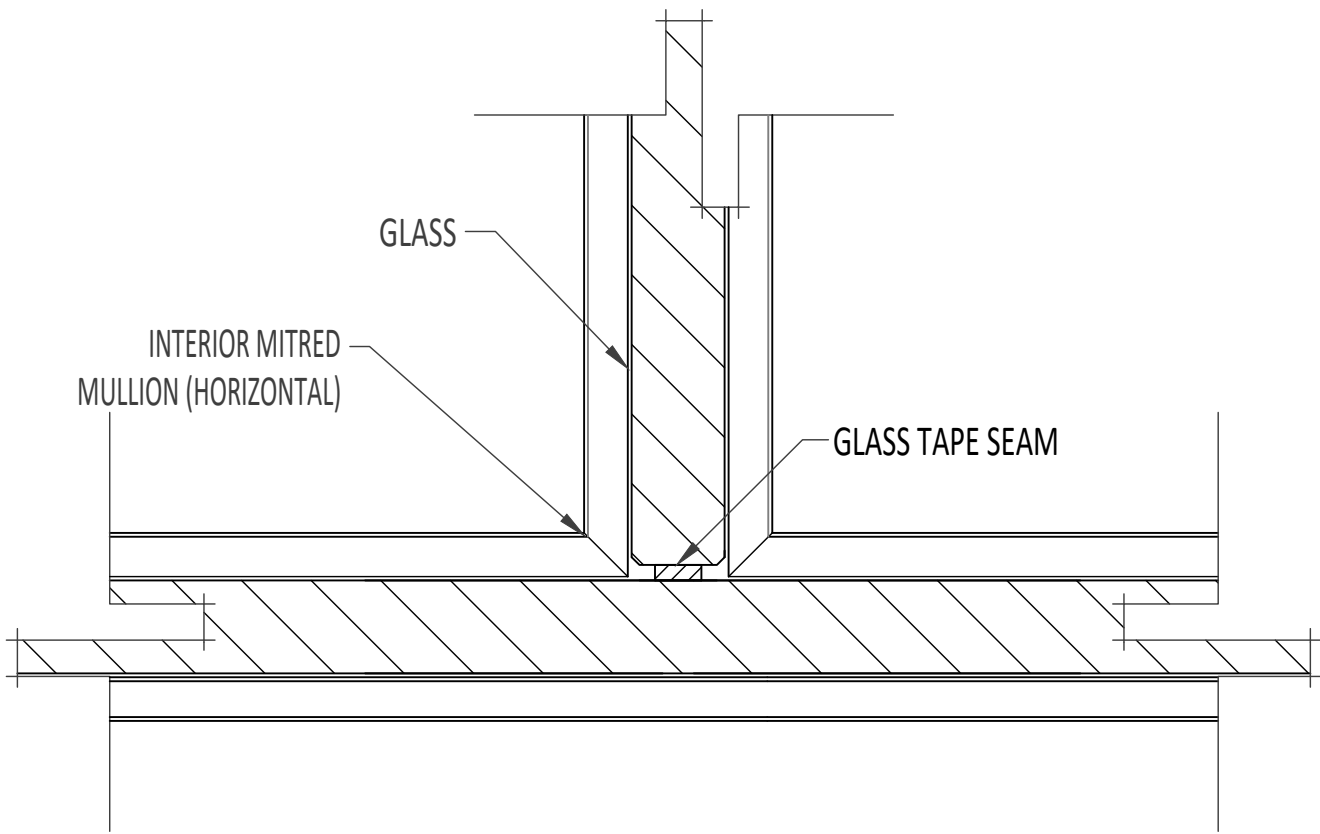
This drawing is the property of Teknion Limited and is subject to return upon demand. It must not be copied or reproduced in any manner, nor submitted to any outside parties for examination without Teknion consent. This drawing must not be scaled, or used for construction purposes.

www.teknion.com

teknion



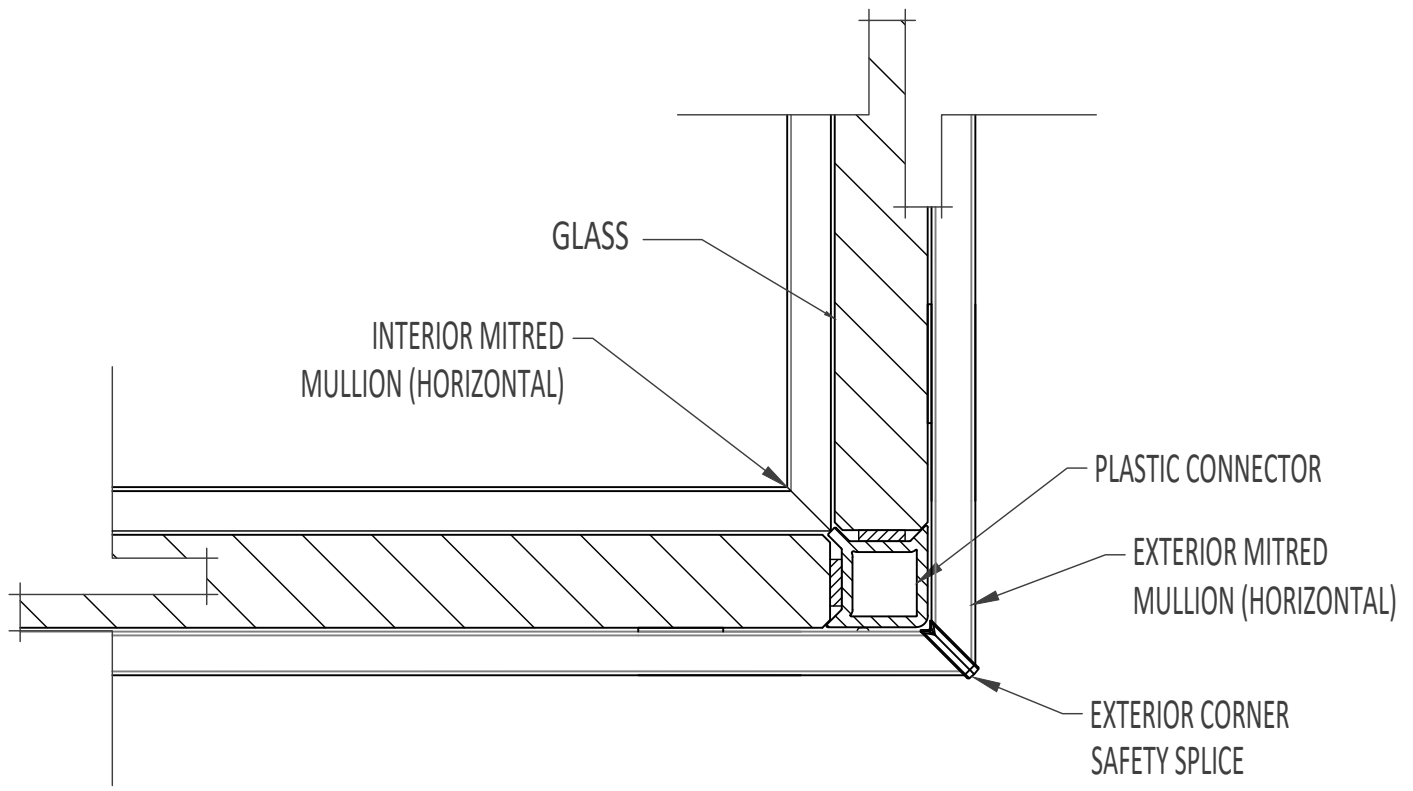
① 1"x1" 3-WAY MULLIONS - HORIZONTAL SECTION THROUGH 90° 3-WAY GLASS CORNER (TAPED)



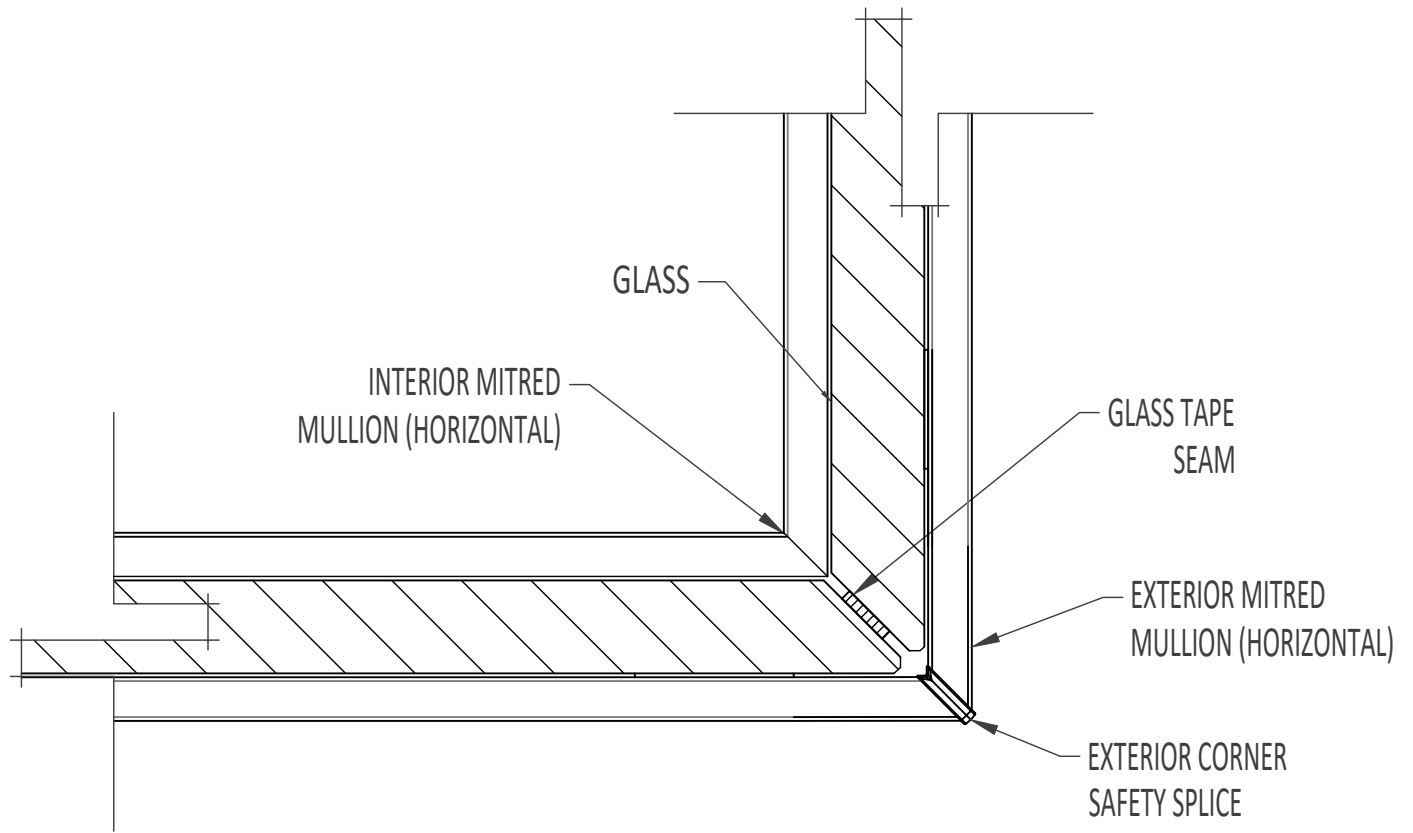
② 1"x1" 3-WAY MULLIONS - HORIZONTAL SECTION THROUGH 90° 3-WAY GLASS CORNER (TAPED)

1" x 1" MULLIONS

2'-0"=1'-0"



① 1" X 1" HORIZONTAL CORNER MULLION - HORIZONTAL SECTION THROUGH 90° GLASS CORNER (PLASTIC CONNECTOR)



② 1" X 1" HORIZONTAL CORNER MULLION - HORIZONTAL SECTION THROUGH 90° MITRED GLASS CORNER (TAPED)

1" x 1" MULLIONS

2'-0"=1'-0"

MULLIONS STANDARD DRAWING PACKAGE

MAY 20, 2021

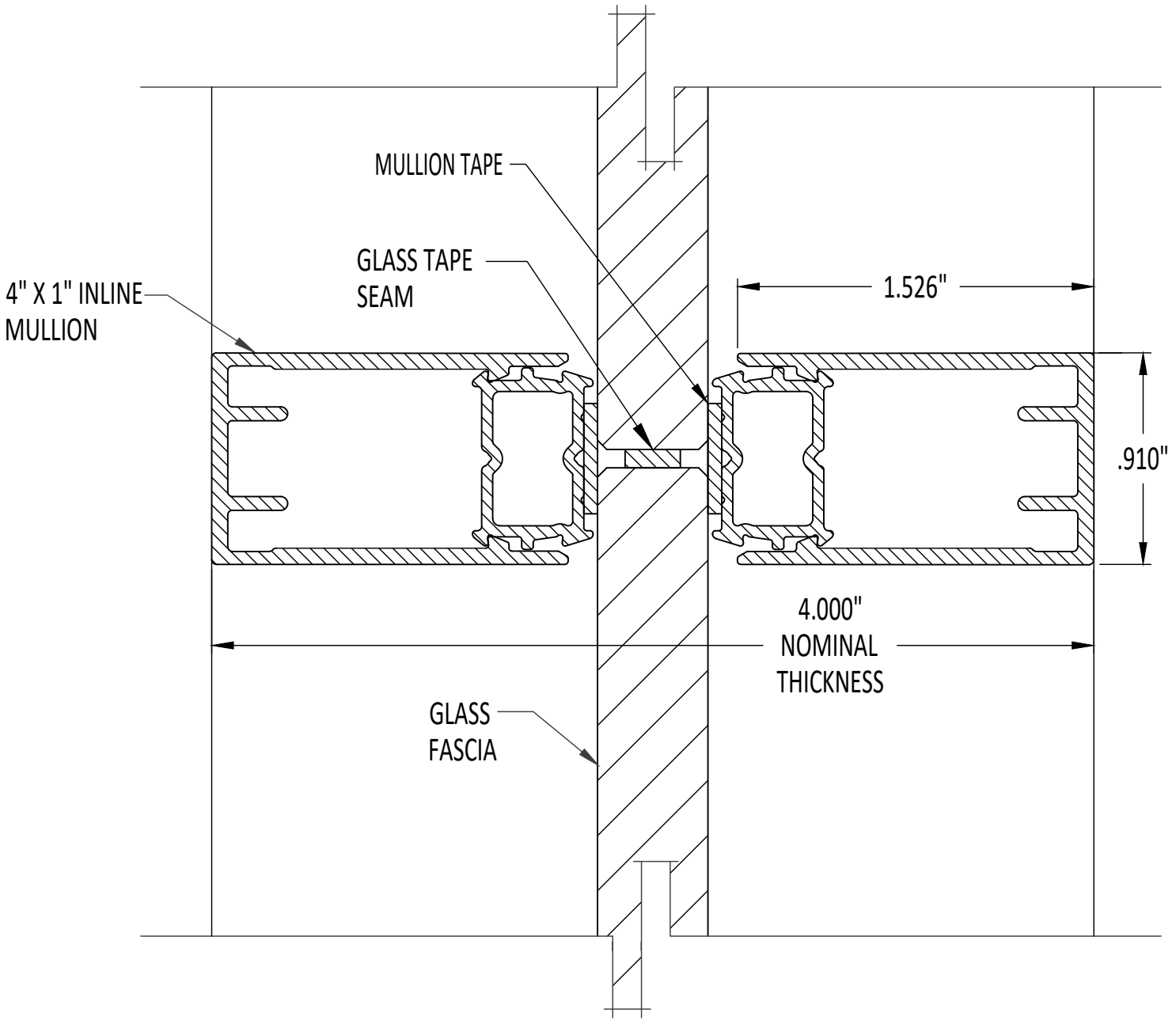
R01

A4

This drawing is the property of Teknion Limited and is subject to return upon demand. It must not be copied or reproduced in any manner, nor submitted to any outside parties for examination without Teknion consent. This drawing must not be scaled, or used for construction purposes.

www.teknion.com

teknion



① 4" x 1" INLINE MULLION - HORIZONTAL SECTION THROUGH INLINE GLASS SEAM (TAPED)

4" x 1" MULLIONS

1'-6"=1'-0"

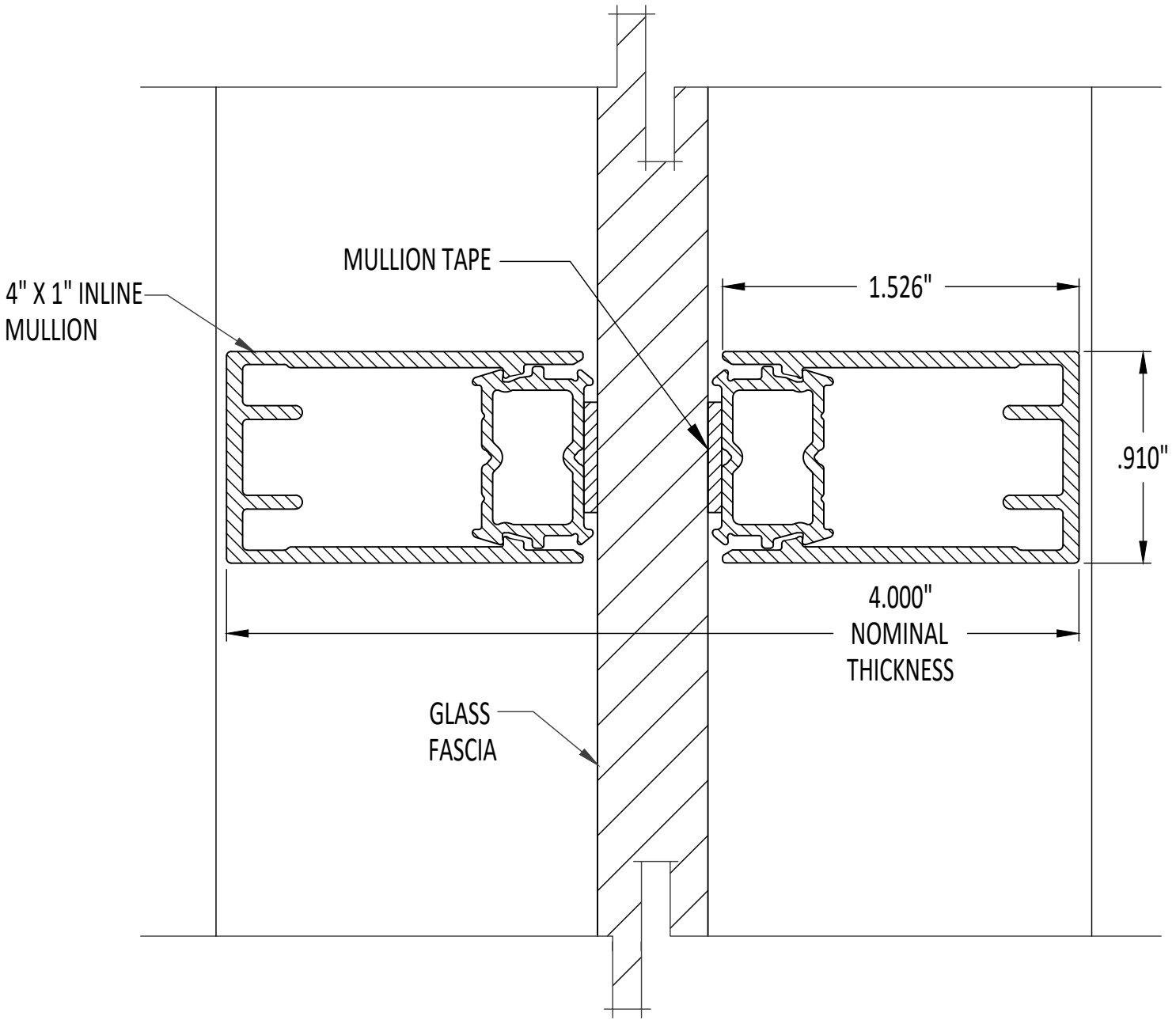
MULLIONS STANDARD DRAWING PACKAGE

NOV 23, 2020

R0

B1

This drawing is the property of Teknion Limited and is subject to return upon demand. It must not be copied or reproduced in any manner, nor submitted to any outside parties for examination without Teknion consent. This drawing must not be scaled, or used for construction purposes.



① 4" x 1" INLINE MULLION - VERTICAL SECTION THROUGH INLINE GLASS FASCIA

4" x 1" MULLIONS

1'-6"=1'-0"

MULLIONS STANDARD DRAWING PACKAGE

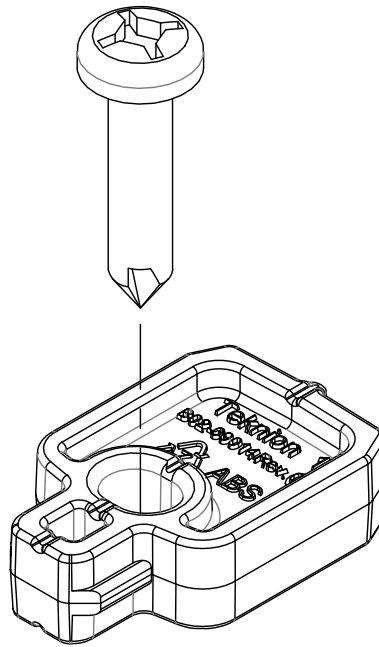
NOV 23, 2020

R0

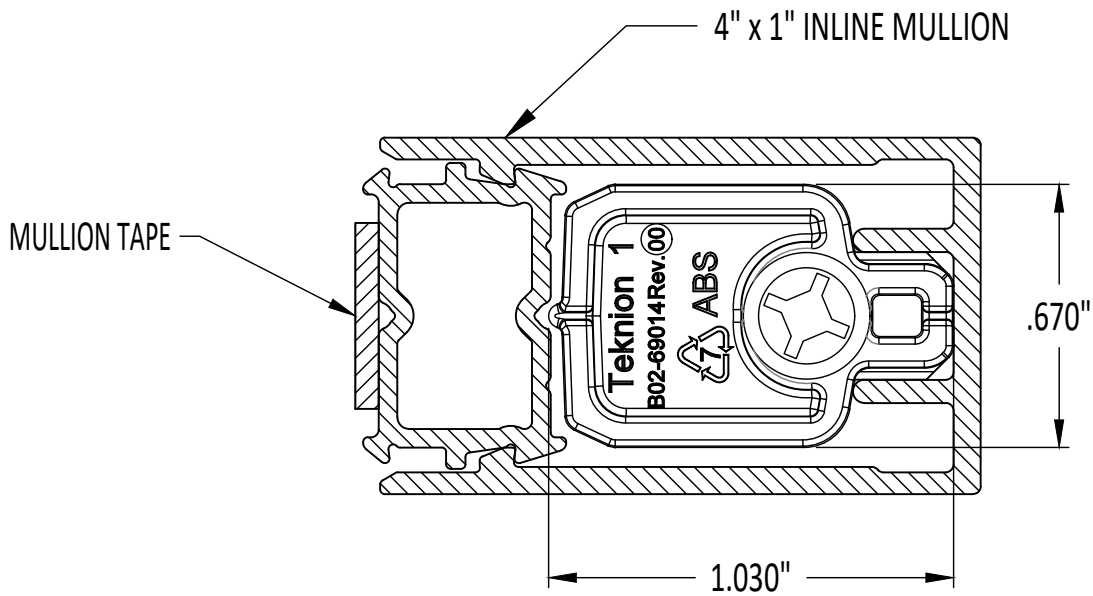
B2

This drawing is the property of Teknion Limited and is subject to return upon demand. It must not be copied or reproduced in any manner, nor submitted to any outside parties for examination without Teknion consent. This drawing must not be scaled, or used for construction purposes.





① 4" x 1" INLINE MULLION - MECHANICAL CLIP ISOMETRIC VIEW



② 4" x 1" INLINE MULLION - MECHANICAL CLIP ISOMETRIC VIEW

4" x 1" MULLIONS

4'-0"=1'-0"

MULLIONS STANDARD DRAWING PACKAGE

NOV 23, 2020

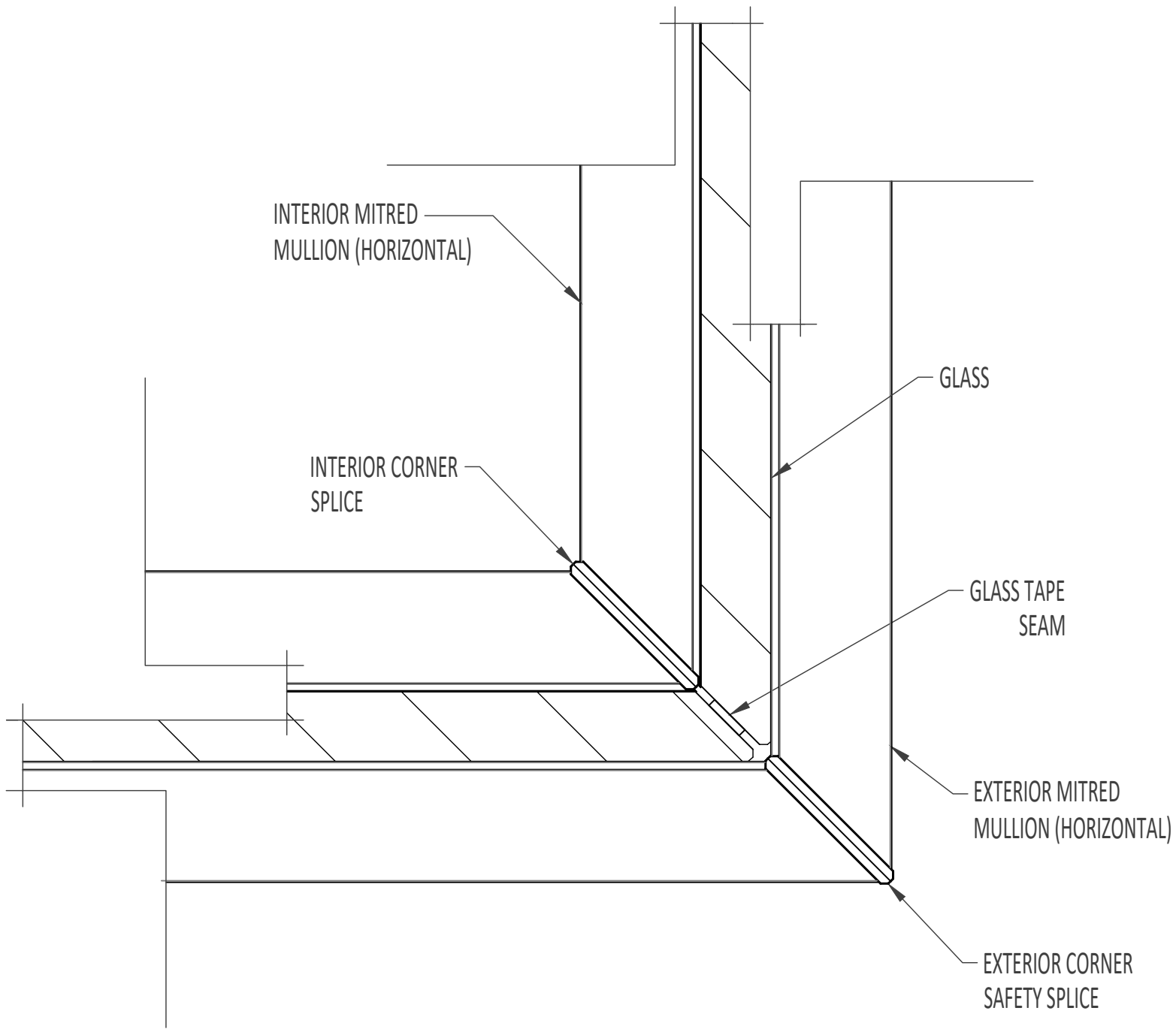
R0

B3

This drawing is the property of Teknion Limited and is subject to return upon demand. It must not be copied or reproduced in any manner, nor submitted to any outside parties for examination without Teknion consent. This drawing must not be scaled, or used for construction purposes.

www.teknion.com

teknion



① 4" X 1" HORIZONTAL CORNER MULLION - HORIZONTAL SECTION THROUGH 90° MITRED GLASS CORNER (TAPED)

4" x 1" MULLIONS

2'-0"=1'-0"

MULLIONS STANDARD DRAWING PACKAGE

MAY 20, 2021

R01

B4

REVISION	DESCRIPTION	MADE BY	DATE
Rev 00	INITIAL RELEASE	JP	NOV 2020
Rev 01	ADDED PAGES A4 & B4	JP	MAY 2021

REVISION HISTORY

N.T.S.

MULLIONS STANDARD DRAWING PACKAGE

MAY 20, 2021

R01

RH