

expansion wood

INDEX

By Section

Product Name	Product Code	Guide No.	Last Updated
DESKS & DESK ACCESSORIES			
Rectangular Desk for U-Shape Configuration – Half Wood Modesty	ZEMPS	1611	Jan. 2014
Rectangular Desk for U-Shape Configuration – Half Glass Modesty	ZEMPG	2005	Sep. 2015
Rectangular Peninsula Worksurface with Gable	ZEMWS		
Rectangular Peninsula Desk with Frame Leg – Open	ZEMRO		
Rectangular Peninsula Desk with Frame Leg – Full Infill	ZEMRF		
Rectangular Peninsula Worksurface with Central Post Leg	ZEMWP	1600	Jan. 2014
Rectangular Peninsula Desk with Central Post Leg – Full Modesty	ZEMPF		
Rectangular Peninsula Desk with Central Post Leg – Half Modesty	ZEMPH		
D-Shaped Peninsula Desk with Half Gable	ZEDUG		
D-Shaped Peninsula Desk with Half Modesty	ZEDUH		
D-Shaped Peninsula Desk with Full Modesty	ZEDUF		
P-Shaped Peninsula Desk with Half Gable	ZEDPG		
P-Shaped Peninsula Desk with Half Modesty	ZEDPH		
P-Shaped Peninsula Desk with Full Modesty	ZEDPF		
D-Shaped Peninsula Worksurface	ZEDUW	1610	Jan. 2014
Rectangular Breakfront Desk with Double Pedestals – Half Glass Modesty	ZEGRD	2006	Sep. 2015
Rectangular Breakfront Desk with Single Pedestal – Half Glass Modesty	ZEGRS		
Rectangular Desk for U-Shape Configuration – Half Glass Modesty	ZEMPG		
Suspended Modesty Panel – Glass	ZEAMG		
Suspended Modesty Panel – Wood	ZEAMS	1046	Sep. 2015
Multi-Functional Drawer	ZEAMD	2007	Sep. 2015
Center Drawer	ZEACD	1608	Jan. 2014

Product Name	Product Code	Guide No.	Last Updated
RETURNS & BRIDGES			
Cross Grain Return with Pedestal – Box/Box/File	ZERRB	1601	Jan. 2014
Long Grain Return with Pedestal – Box/Box/File	ZERGB		
Cross Grain Return with Pedestal – File/File	ZERRF		
Long Grain Return with Pedestal – File/File	ZERGF		
Cross Grain Return with Combo Pedestal	ZERRC		
Long Grain Return with Combo Pedestal	ZERGC		
Cross Grain Return with Lateral File	ZERRL		
Long Grain Return with Lateral File	ZERGL		
Cross Grain Return	ZERRN		
Long Grain Return	ZERGN		
Cross Grain Rectangular Bridge – Full Modesty	ZEBRF		
Cross Grain Rectangular Bridge – Half Modesty	ZEBRH		
Cross Grain Rectangular Bridge – No Modesty	ZEBRN		
CREDENZAS			
Credenza Shell	ZECNO	1612	Jan. 2014
STORAGE FOR CREDENZA UNIT			
Stretch Pedestal for Credenza Unit – Box/File	ZECMP	1613	May 2013
Storage Cabinet for Credenza Unit	ZECMD		
Bookcase for Credenza Unit	ZECMB		
Multi-Functional Storage for Credenza Unit	ZECMM		
Top for Credenza Unit	ZECMT		
Worksurface Support for Credenza Unit	ZECMS	1614	Jan. 2014
Pencil Tray for Credenza Unit	ZECMA	1615	May 2013

Product Name	Product Code	Guide No.	Last Updated
MOUNTED STORAGE & ACCESSORIES			
Standard Hutch – Wood Hinged Doors	ZEHNS	1602	Jan. 2014
Standard Hutch – Glass Hinged Doors	ZEHNP		
Single Tower Hutch – Wood Doors	ZEHSS		
Single Tower Hutch – Glass Doors	ZEHSP		
Double Tower Hutch – Wood Doors	ZEHDS		
Double Tower Hutch – Glass Doors	ZEHDP		
Tool Rail	ZEHA		
Tackboard – Hutch Mounted	ZEHB		
Top for Mounted Storage	ZEHOT	1604	Jan. 2014
Mounted Tower – Full Wood Door	ZEVFS	2009	Jan. 2014
Mounted Tower – Full Glass Door	ZEVFP		
Mounted Tower – Open	ZEVFO		
Standard Wall-Mounted Overhead Cabinet – Wood Hinged Doors	ZEWNS	1607	Jan. 2014
Standard Wall-Mounted Overhead Cabinet – Glass Hinged Doors	ZEWNP		
Wall-Mounted Tackboard with Wire Management	ZEWBN	2008	Nov. 2016
Mounted Overhead Cabinet – Wood Hinged Doors	ZEPOS	2001	Sep. 2015
Mounted Overhead Cabinet – Glass Hinged Doors	ZEPOP		
Wall Panel for Mounted Overhead Cabinet	ZEP0W		
Wall Panel	ZEPA	2002	Sep. 2015
Tackboard – Wall Panel Mounted	ZEPWT	2017	Sep. 2015
Glass Markerboard – Wall Panel Mounted	ZEPWG	1803	June 2017
Porcelain Markerboard – Wall Panel Mounted	ZEPWP		
Light Shelf for Wall Panel	ZEPAS	2016	Sep. 2015

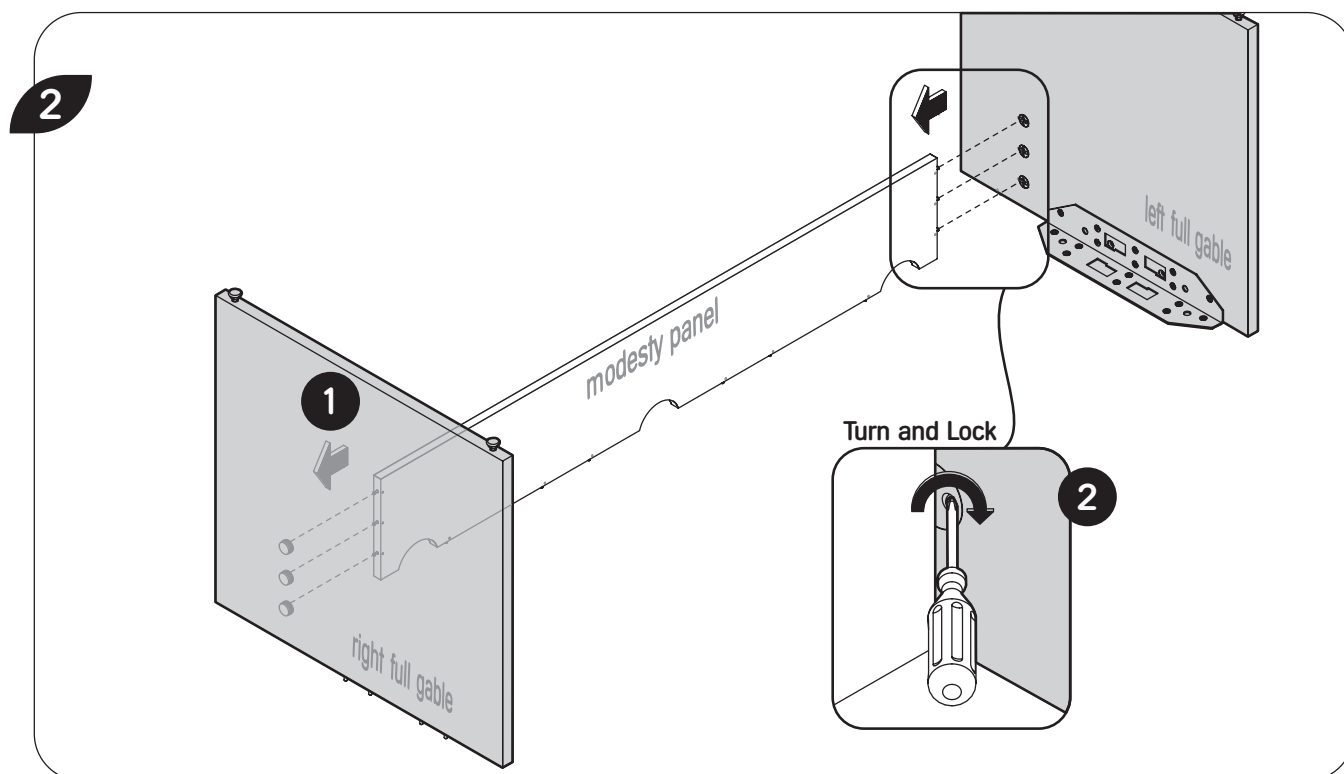
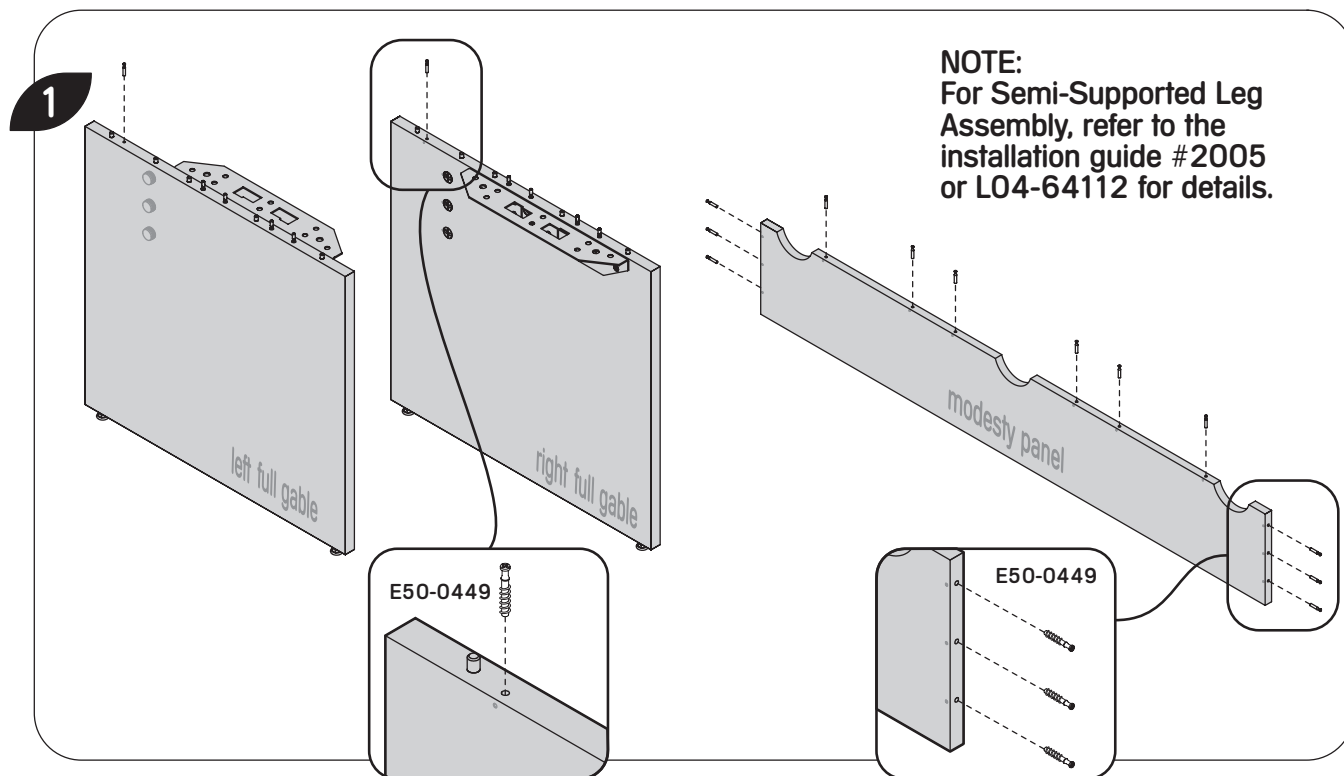
expansion wood

INDEX

By Section

Product Name	Product Code	Product Guide No.	Last Updated
FREESTANDING STORAGE & ACCESSORIES			
Freestanding Tower – Full Wood Door	ZESFS	2010	Jan. 2014
Freestanding Tower – Full Glass Door	ZESFP		
Freestanding Open Tower	ZESFO		
Top for Wood Storage	ZESOT	1604	May 2013
MEETING TABLES			
Round Meeting Table – Legs	ZETR	1605	Jan. 2014
Round Meeting Table – Four-Point Base	ZETRF	1264	Sep. 2015
Square Meeting Table – Four-Point Base	ZETQF		
Round Meeting Table – Cubic Base	ZETRC	2012	Apr. 2015
Square Meeting Table – Cubic Base	ZETQC		
Rectangular Conference Table – Cubic Bases	ZETDC		
Rectangular Conference Table – Panel Bases	ZETDP	1262	Sep. 2015
Convex Racetrack Conference Table – Panel Bases	ZETCB		
LIGHTING, ELECTRICS & COMMUNICATIONS			
Mounted Storage Utility Light	ZELLY	1090	May 2013
Linear LED Light	ZELED	2002	Sep. 2015
Cable Tray	ZELCT	1205	Jan. 2014
DELISTED PRODUCTS			
Convex Racetrack Table with Legs	ZETC	1606	May 2009
Flip-Up Power/Data Module	ZELPG	1270	May 2013

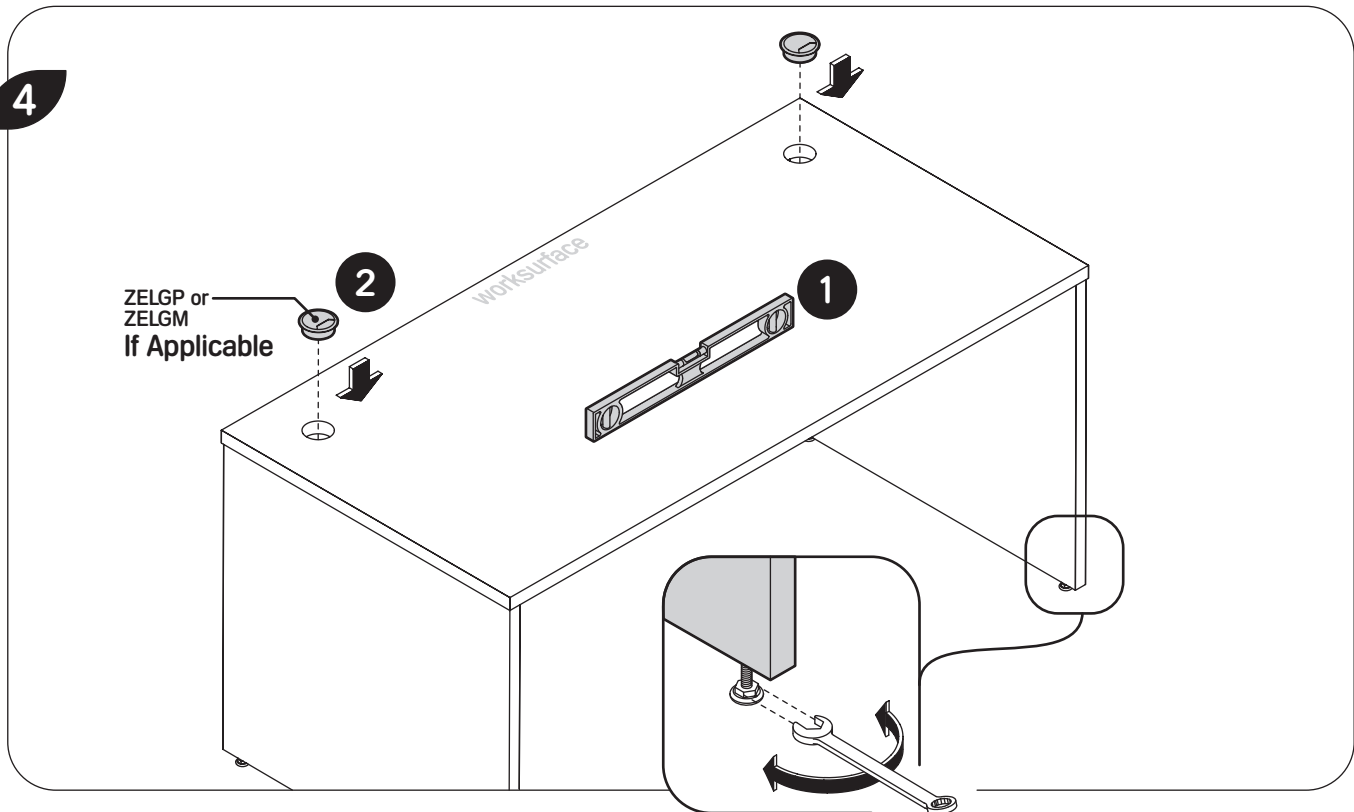
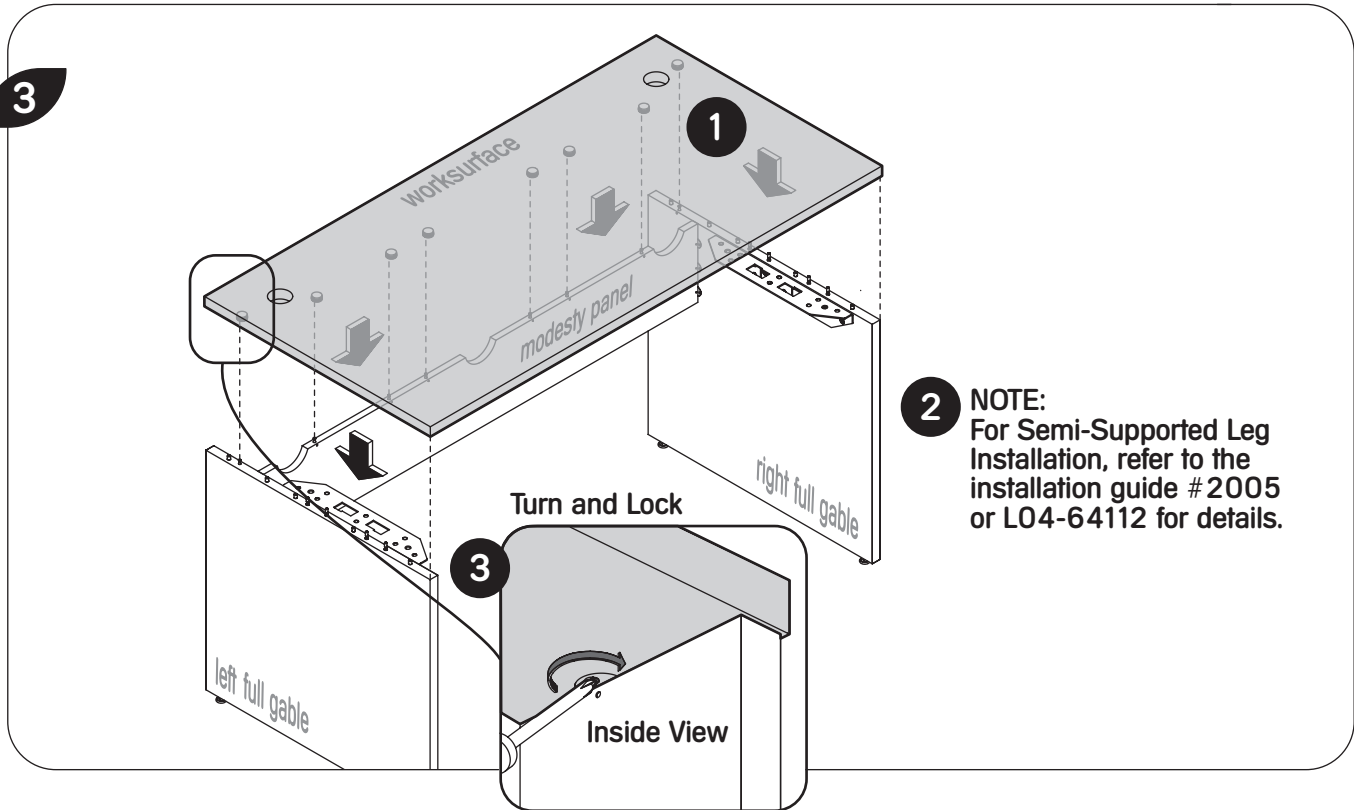
RECTANGULAR DESK FOR U-SHAPE CONFIGURATION – HALF WOOD MODESTY PANEL INSTALLATION



Reference Installation Guides:
No. 2005 Expansion Wood "Semi-Supported Leg ZEMPG, ZEMWS, ZEMRO, ZEMRF

For additional information on this installation contact Teknion | Roy & Breton **Technical Support**.
Issue Date: 2014 January 27

(L04-74013_R01)



Expansion Casegoods Section – **Desk Accessories**

Expansion Wood Section – **Desks and Desk Accessories**

No. 2005

BWGL – Semi-Supported Leg – Solid

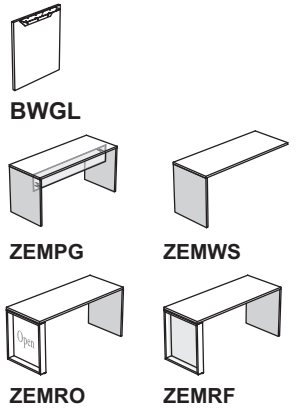
ZEMPG – Rectangular Desk for U-Shape Configuration – Half Glass Modesty

ZEMWS – Rectangular Peninsula Worksurface with Gable

ZEMRO – Rectangular Peninsula Desk with Frame Leg – Open

ZEMRF – Rectangular Peninsula Desk with Frame Leg – Full Infill

Product

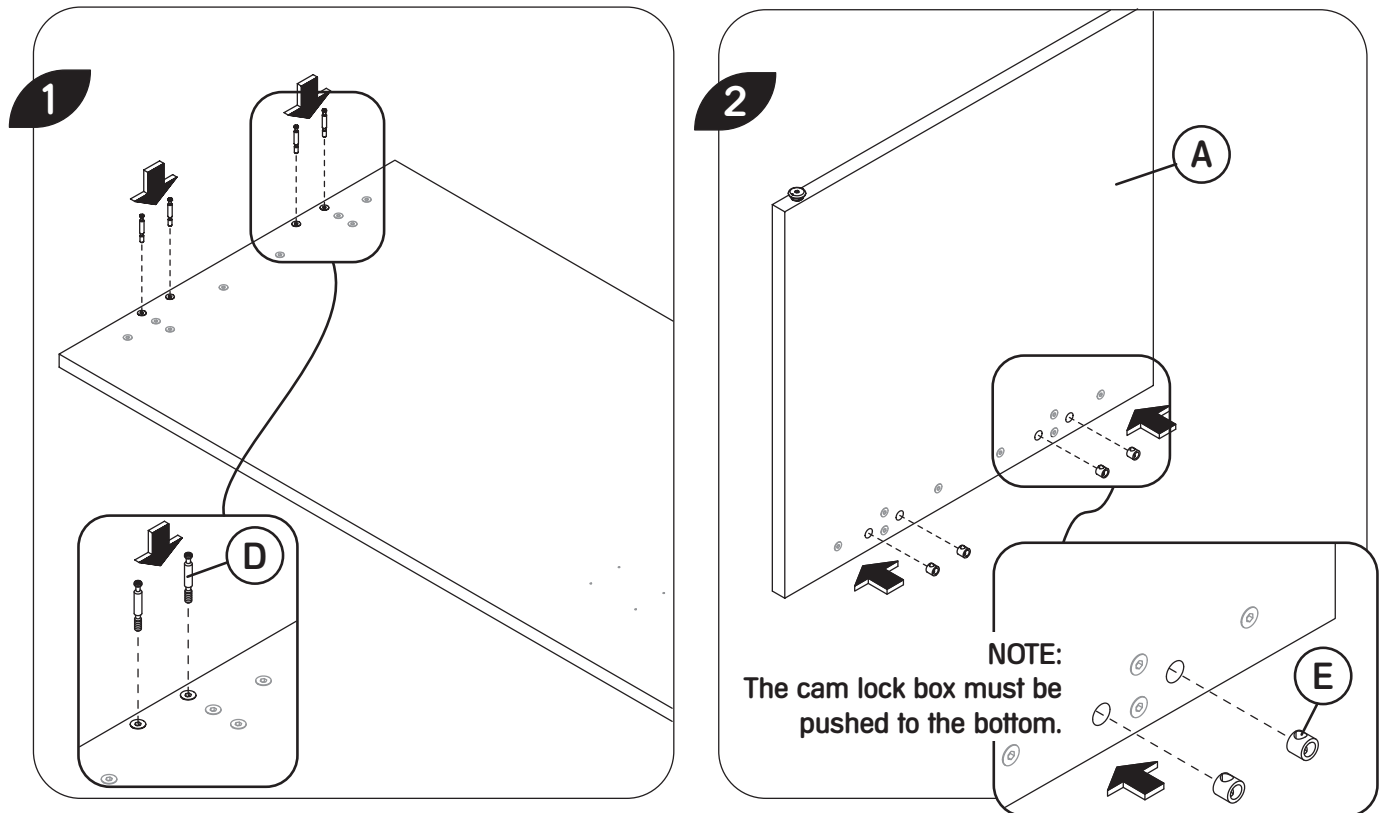


TOOLS REQUIRED:
Cross or Square Drive #3

SEMI-SUPPORTED LEG – SOLID - Part / Product Identification and What's Included

Ref.	Illustration	Description	Part No. / Prod. Code	Qty.	Kit No. / Assy. No.
A		Semi-Supported Leg – Solid	BGWGL_ or C82-74077+ 3029	1 (BWGL, ZEMWS, ZEMRO, ZEMRF) or 2 (ZEMPG)	
B		Gable Bracket	A15-64187 +XX	1	
C		1/4" – 20 x 1/2" Quadrex Flat Hd. Mechanical Screw	E01-50778	19	1x R80-64000 +XX (BWGL, ZEMWS, ZEMRO, ZEMRF)
D		1/4" – 20 x 2" Klix Dowel	E03-50991	4	or
E		Cams Lock Box	426068		2x (ZEMPG) R80-64000 +XX
F		Quadrex Flat Hd. Set Screw Cone Point	426066		

SEMI-SUPPORTED LEG INSTALLATION



For additional information on this installation contact Teknion | Roy & Breton **Technical Support**.

Issue Date: 2015 September 28

(L04-64112_R03)

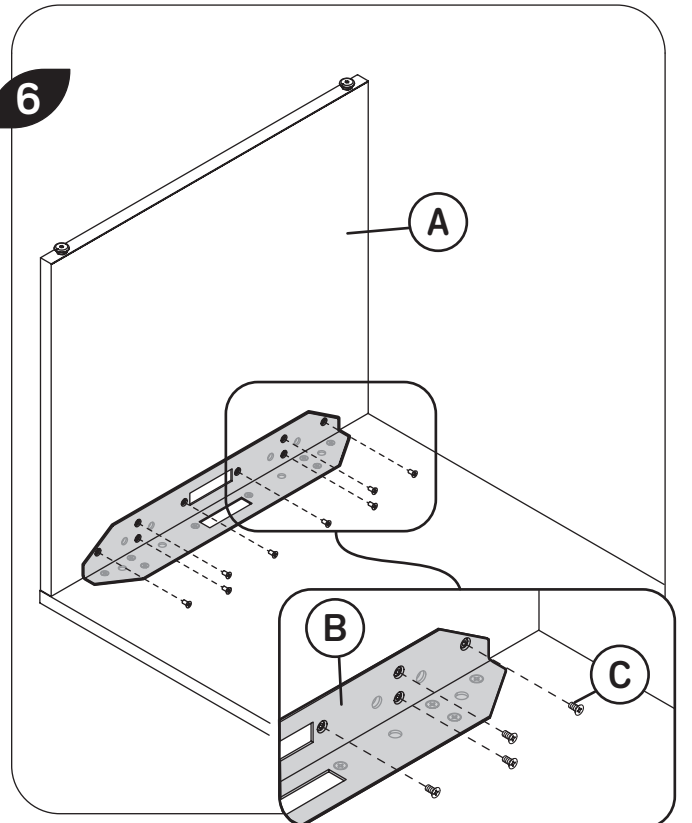
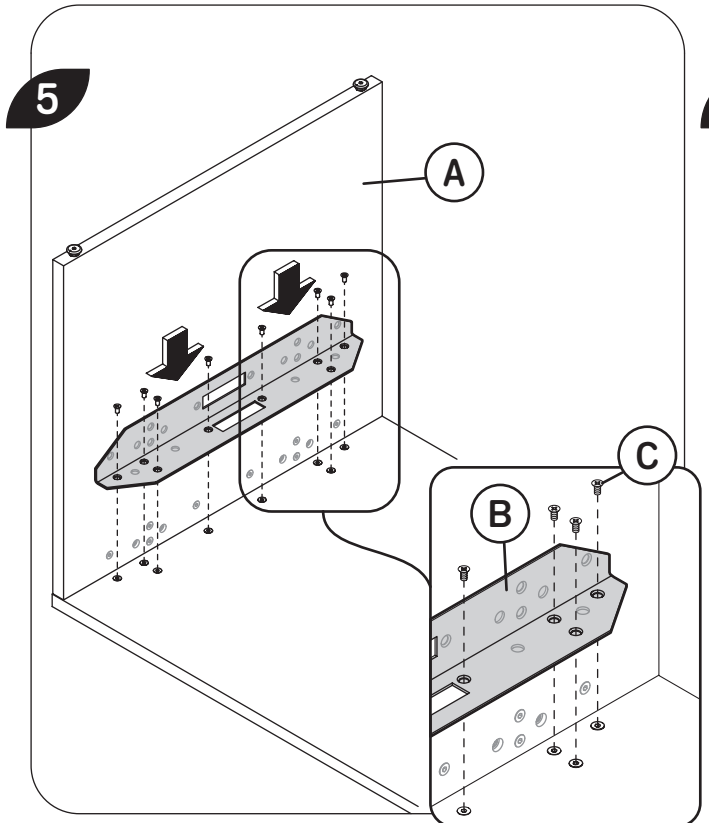
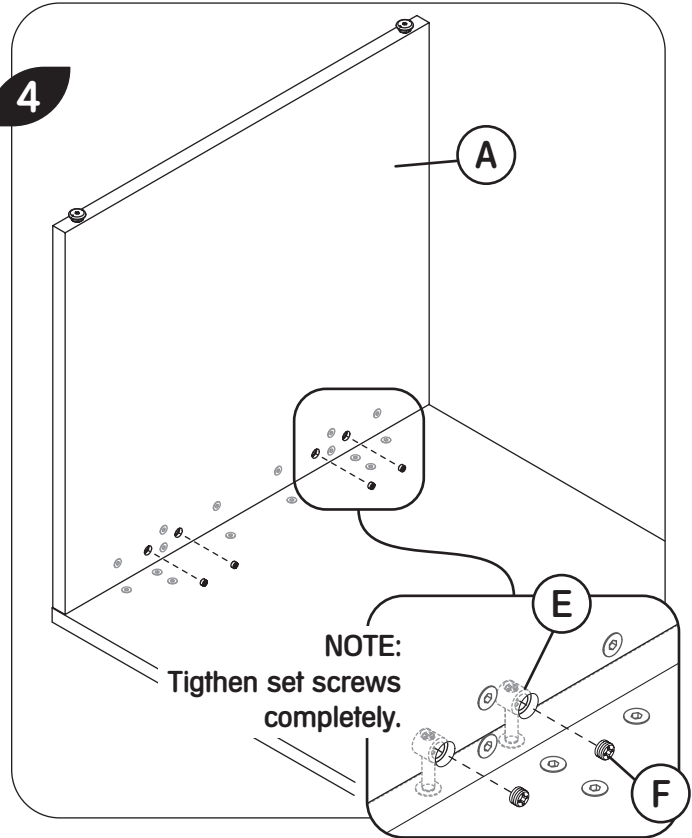
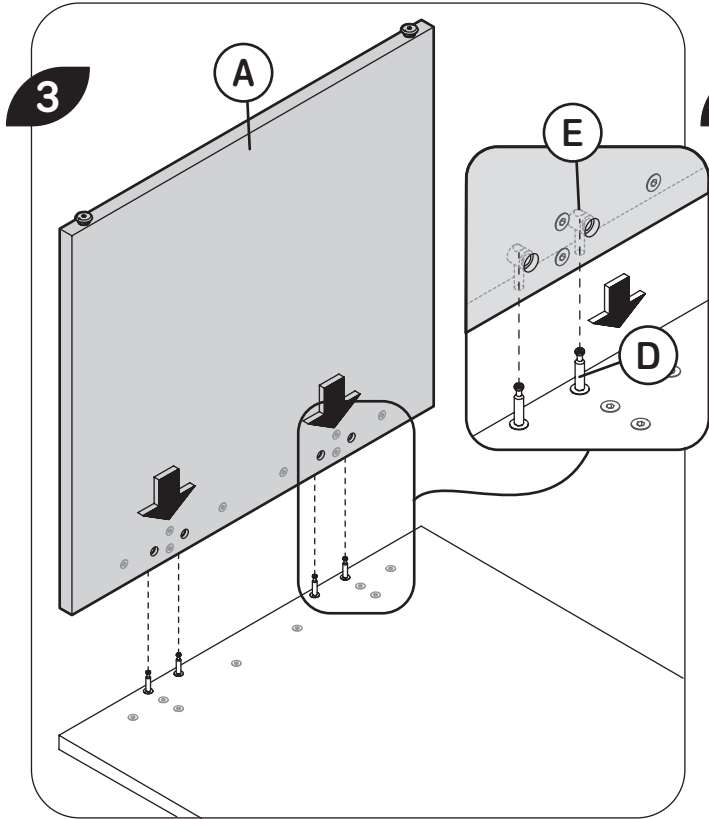
Expansion Casegoods Section – **Desk Accessories**

Expansion Wood Section – **Desks and Desk Accessories**

No. **2005**

BWGL – Semi-Supported Leg – Solid
ZEMPG – Rectangular Desk for U-Shape Configuration – Half Glass Modesty
ZEMWS – Rectangular Peninsula Worksurface with Gable

ZEMRO – Rectangular Peninsula Desk with Frame Leg – Open
ZEMRF – Rectangular Peninsula Desk with Frame Leg – Full Infill



tables & collaboratives spaces (training, thesis), expansion desking, expansion casegoods, expansion wood, and ie *Installation Guides*

Tables & Collaborative Spaces (Training) Section – **Worksurfaces and Tables**

Tables & Collaborative Spaces (Thesis) Section – **Learning Tables**

Expansion Desking Section – **Modular Desks**

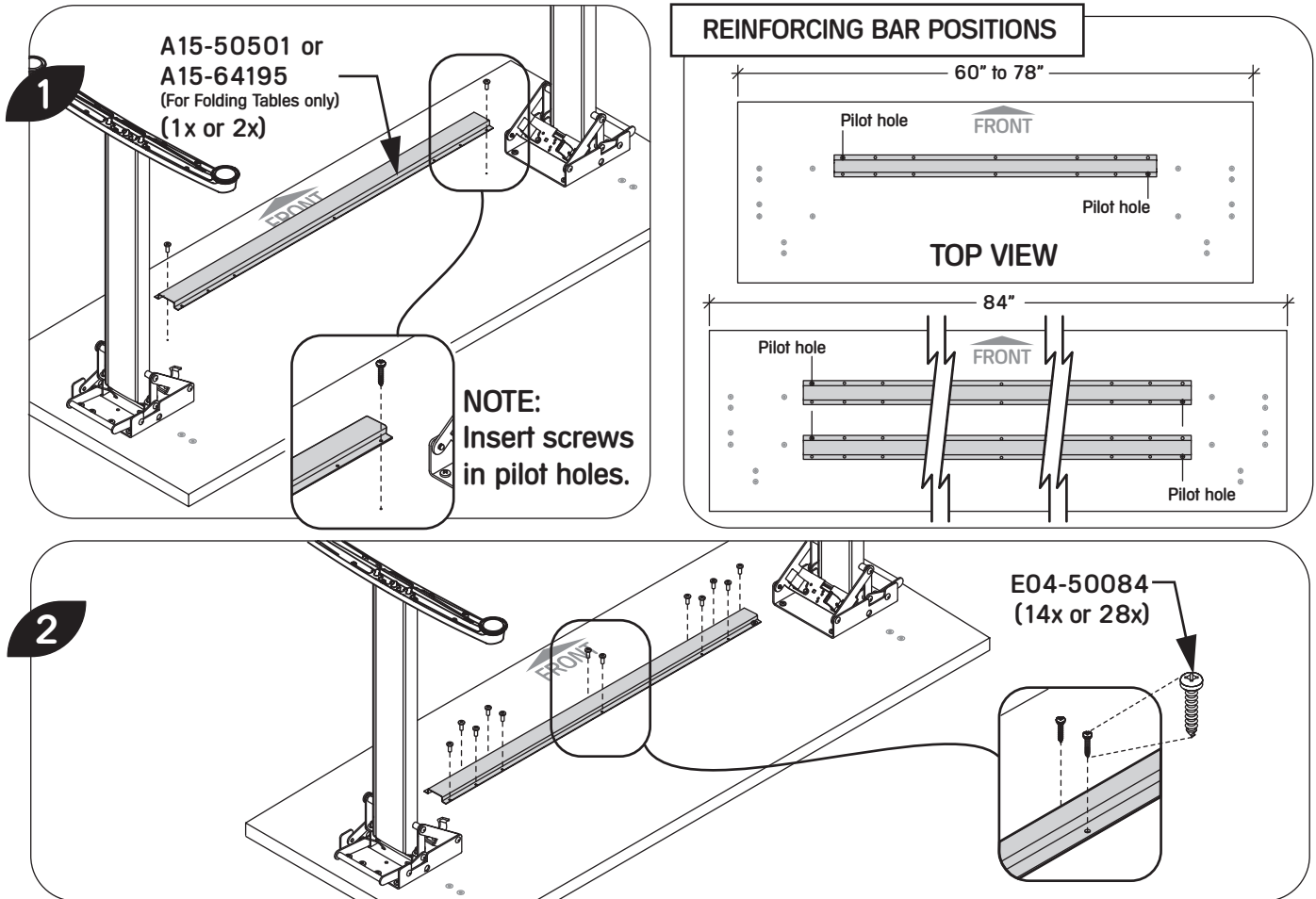
Expansion Casegoods Section – **Multi-Level Workstations**

Expansion Wood Section – **Desks & Desk Accessories**

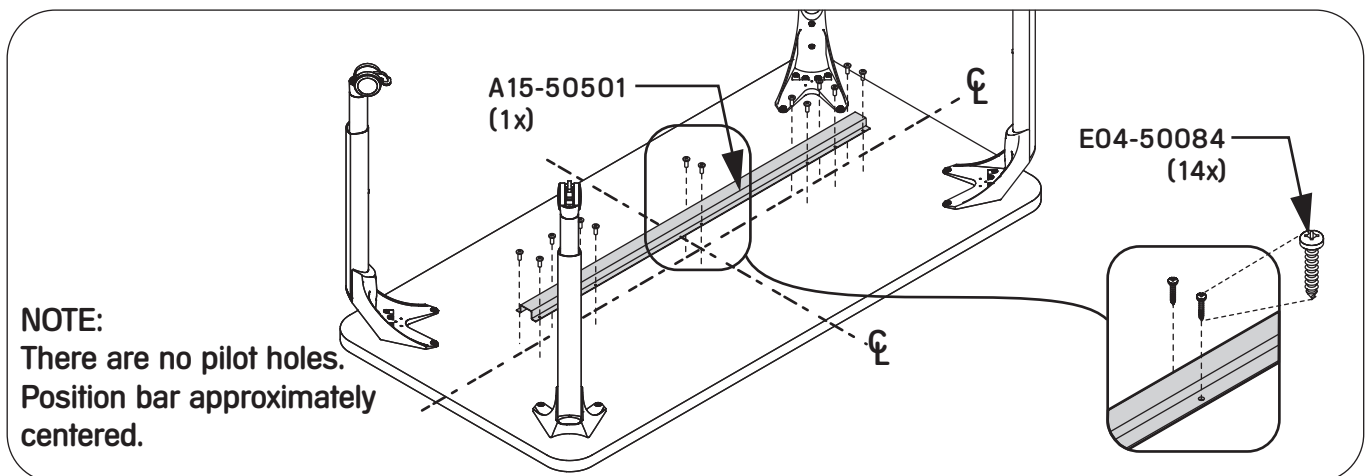
ie Section – **Worksurfaces & Connectors, and Tables**

Reinforcing Bar Kit

REINFORCING BAR INSTALLATION ON TRAINING PRODUCTS



REINFORCING BAR INSTALLATION ON ie PRODUCTS



For additional information on this installation contact Teknion | Roy & Breton **Technical Support**.

Issue Date: 2015 March 17

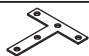


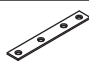
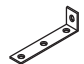
(L04-63009_R06)

Page 1 of 1

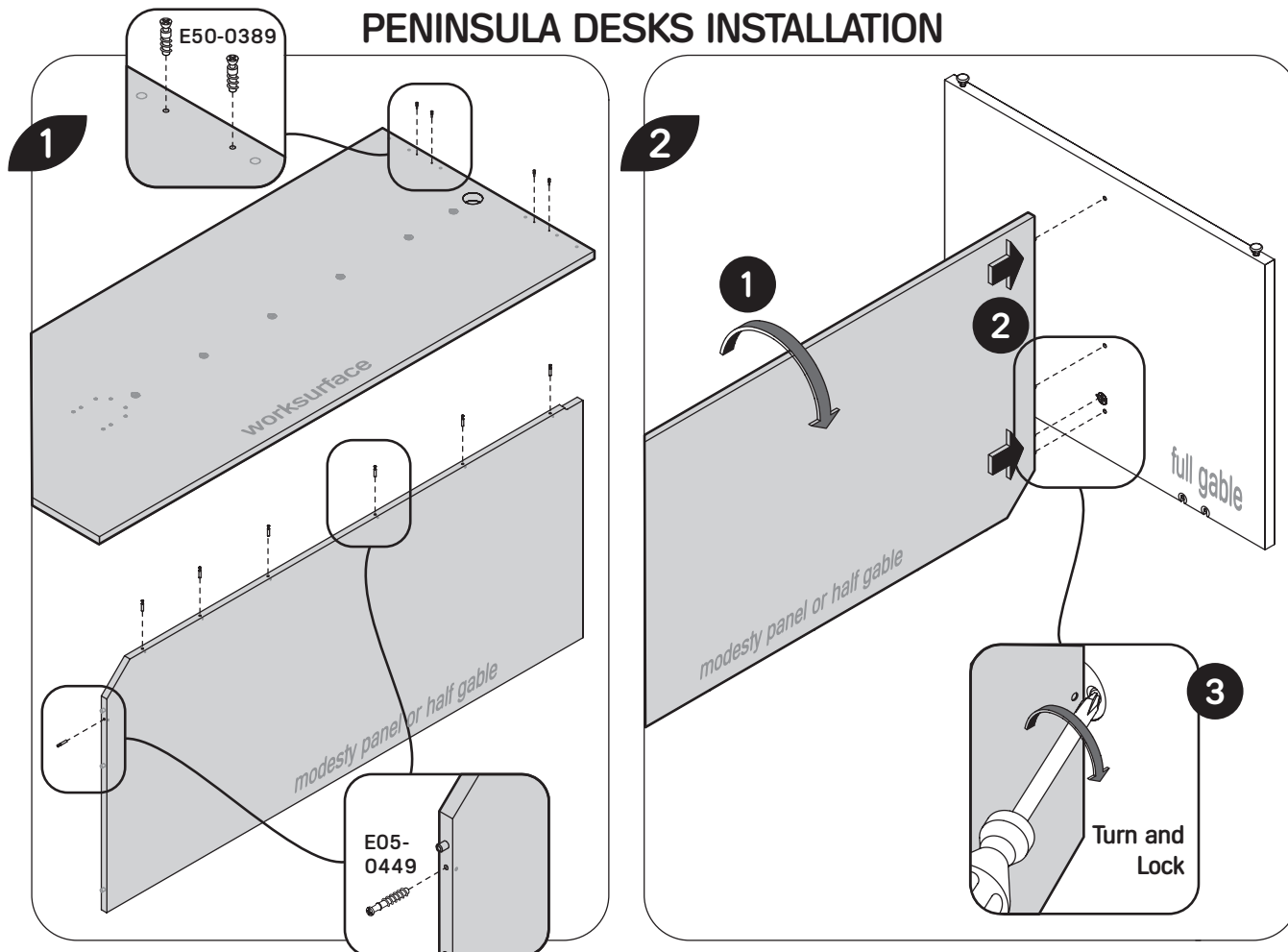
Section – **Desks & Desk Accessories**

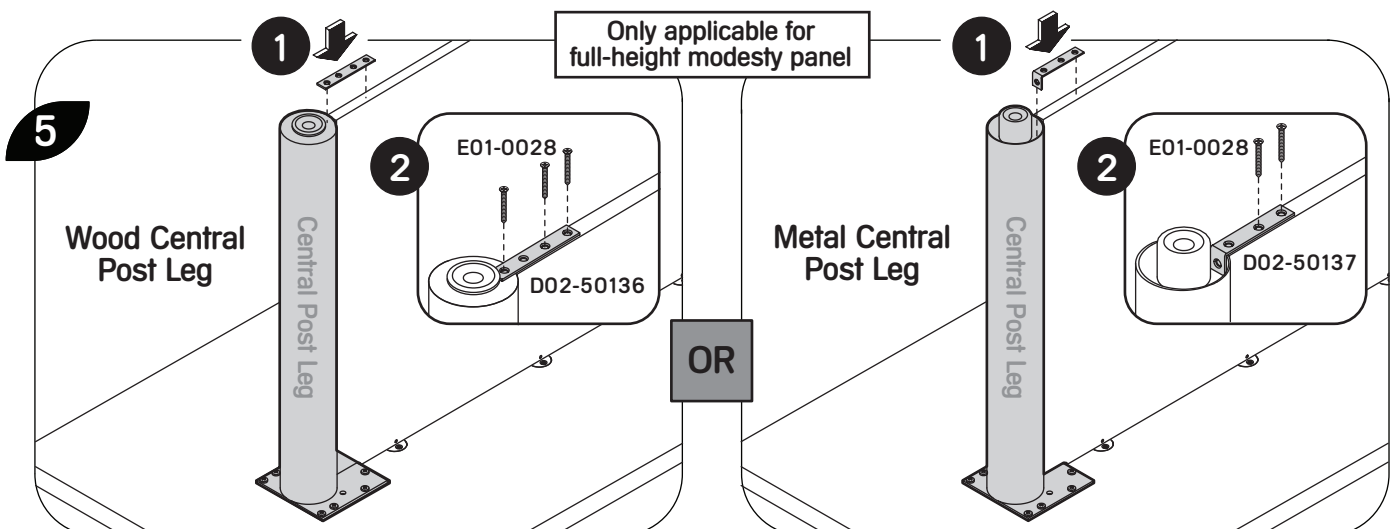
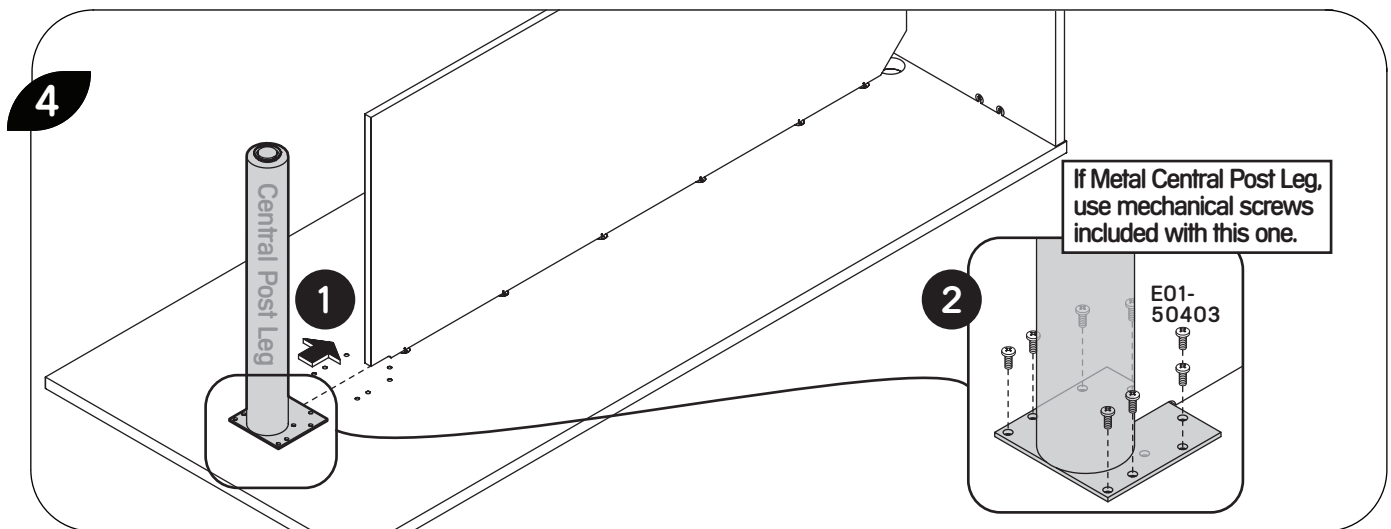
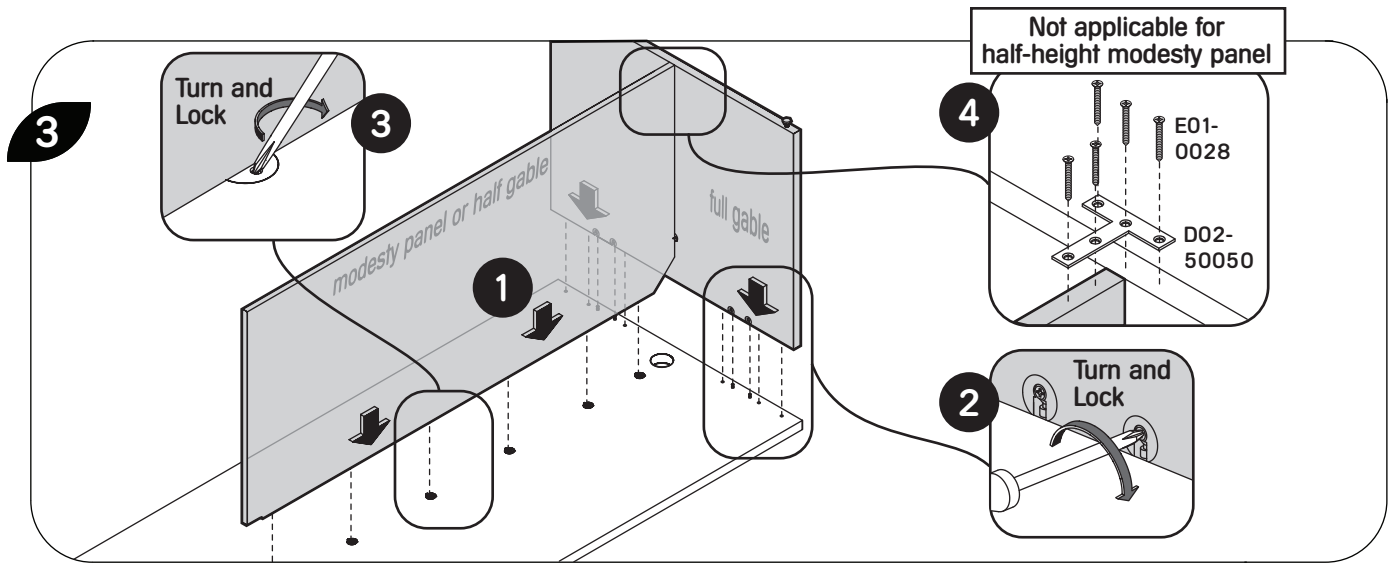
ZEMPF, ZEMPH, ZEDUG, ZEDUH, ZEDUF, ZEDPG, ZEDPH, and ZEDPF – Rectangular, D- or P-Shaped Peninsula Desks

Part Included with Kits

Illustration	X80-74003 (Metal)	X80-74009 (Wood)	X80-74010 (Wood)	X80-74018 (Metal)	X80-74019 (Wood)
	ZEDUG, ZEDPG	ZEDUG, ZEDPG	ZEMPH, ZEDUH, ZEDPH	ZEMPF, ZEDUF, ZEDPF	ZEMPF, ZEDUF, ZEDPF
 T-Plate D02-50050	1	1		1	1
 #8 x 1 1/2" Recex Flat Head, W. Screw, Zinc E01-0028	5	5		7	9
 1/4" - 20 x 5/8" Quadrex Pan Hd., M. Screw, Black (Use with Wood Central Post Leg only) E01-50403		8	8		8
 Bracket for Wood Central Post Leg D02-50136					1
 L-Bracket for Metal Central Post Leg D02-50137				1	

PENINSULA DESKS INSTALLATION

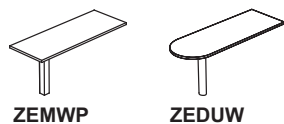




Section – Desks & Desk Accessories

ZEMWP – Rectangular Peninsula Worksurface with Central Post Leg
 ZEDUW – D-Shaped Peninsula Worksurface

Product



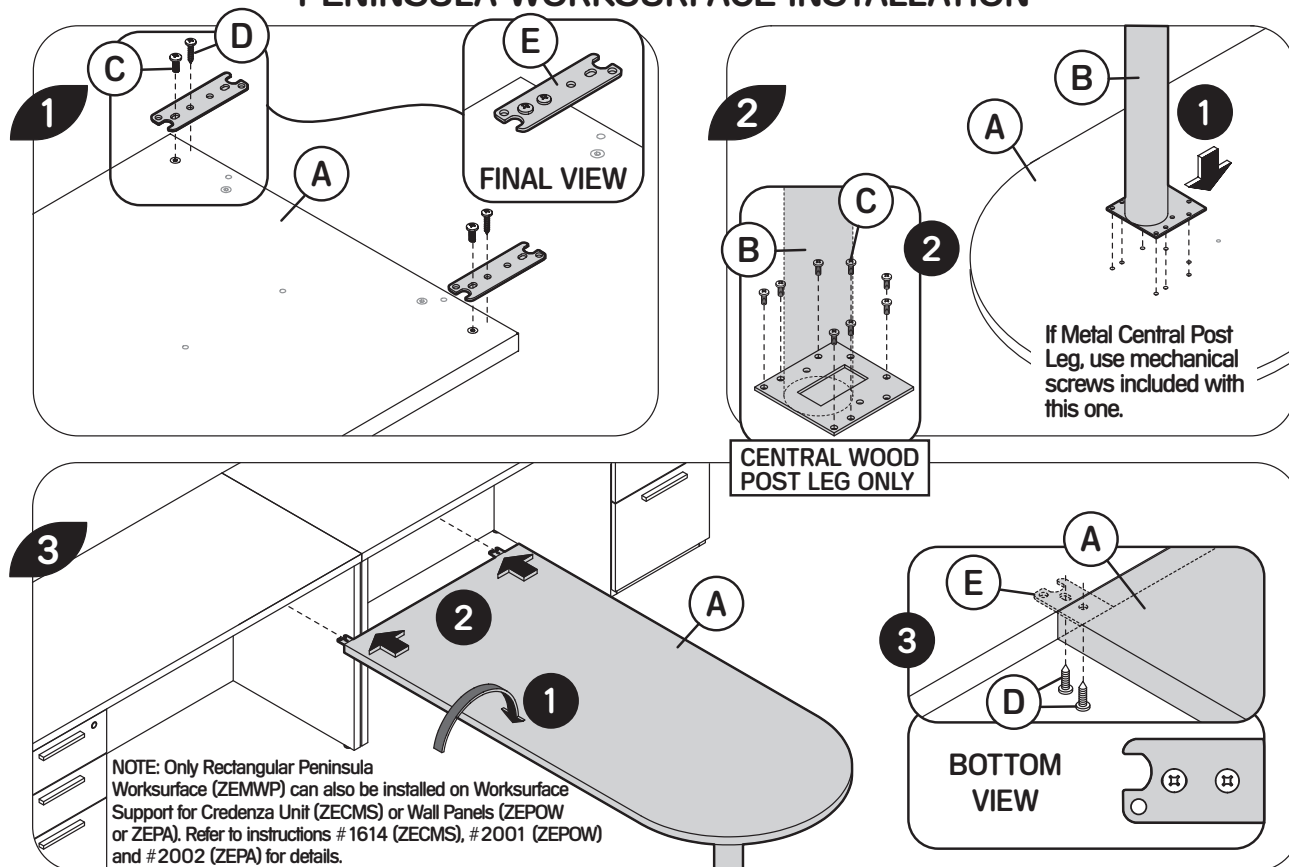
TOOLS REQUIRED:
 Cross or Square Drive #3

PENINSULA WORKSURFACES - Part / Product Identification and What's Included

Ref.	Illustration	Description	Part No. / Prod. Code	Qty.	Kit No. / Assy. No.
A		D-Shaped Peninsula Worksurface	C80-74003 +ddww	1	
		Rectangular Peninsula Worksurface	C80-74028 +ddww		
B		Central Round Post Leg – Wood (Shown) or Metal	As per Order	1	
		Central Square Post Leg – Wood (Shown) or Metal	As per Order		
		If Applicable Round Plastic Grommet (Shown) or Round Metal Grommet	ZELGP ZELGM	1	
C		1/4" – 20 x 5/8" Quadrex Pan Head M. Screw, Black (For Wood Central Post Leg and Linking Plates)	E01-50403	10	X80-74020
D		1/4" – 20 x 5/8" Quadrex Pan Head Mechanical Screw, Black	E04-50017	6	
E		Linking Plate	A15-61233	2	

dd = Depth, ww = Width

PENINSULA WORKSURFACE INSTALLATION



Reference Installation Guides:

- No. 1614 Expansion Wood "Worksurface Support for Credenza Unit ZECMS"
- No. 2001 Expansion Wood "Wall Panel for Mounted Overhead Cabinet ZEPOW"
- No. 2002 Expansion Wood "Wall Panel ZEPA"

For additional information on this installation contact Teknion | Roy & Breton **Technical Support**.

Issue Date: 2014 January 27

(L04-74010_R02 / No.1610_01)

Expansion Casegoods Section – **Preconfigured Desks**

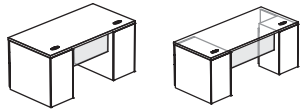
Expansion Desking Section – **Desk Accessories**

Expansion Wood Section – **Desks & Desk Accessories**

No. **2006**

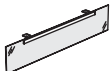
B_XRG and B_YRG – Half Glass Modesty for Rectangular Executive Desks
 REVG – Worksurface Suspended Modesty Panel – Glass
 ZEGRD and ZEGRS – Half Glass Modesty for Rectangular Breakfront Desks
 ZEMPG – Half Glass Modesty for Rectangular Desk for U-Shape Configuration
 ZEAMG – Suspended Modesty Panel – Glass

Product

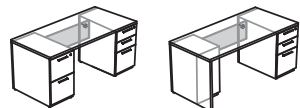


B_XRG

B_YRG

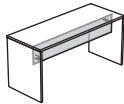


REVG

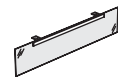


ZEGRD

ZEGRS



ZEMPG

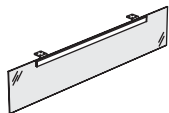



ZEAMG

TOOLS REQUIRED:

Cross or Square Drive #3

SUSPENDED MODESTY PANEL - GLASS - Part / Product Identification and What's Included

Ref.	Illustration	Description	Part No. / Prod. Code	Qty.
A		Suspended Modesty Panel – Glass	As per Order	1
B		#10 x 0,875" Quadrex, Pan Washer Head, Wood Screw	E07-0077	8 (30" to 48" w) or 12 (49" to 84" w)

Reference Installation Guides:

No. 1277 Expansion Casegoods " Rectangular Executive Desks – Half Glass Modesty B_XRG or B_YRG "

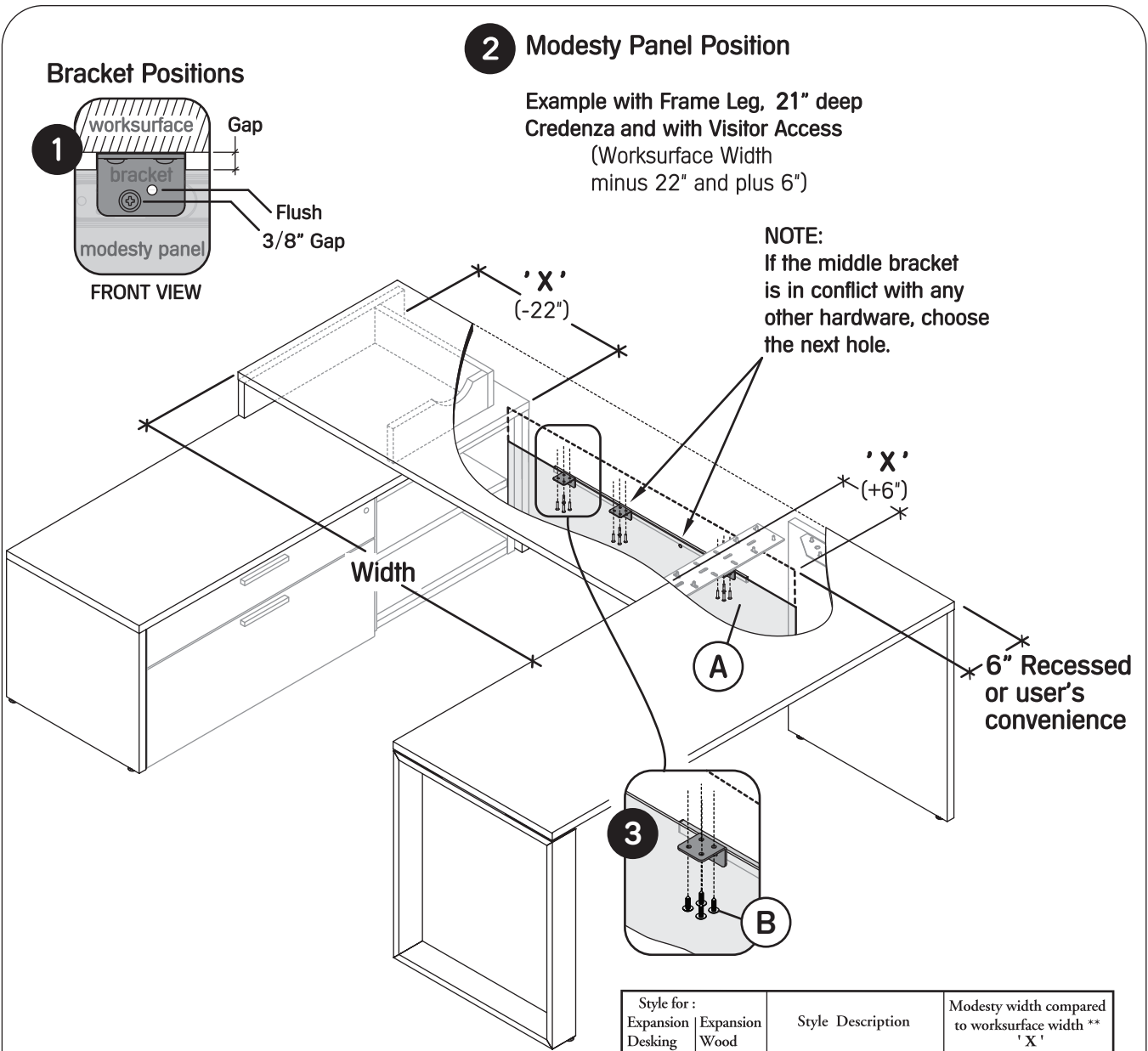
For additional information on this installation contact Teknion | Roy & Breton **Technical Support**.

Issue Date: 2015 September 28

(L04-64120_R07)

Suspended Modesty Panel – Glass

GLASS SUSPENDED MODESTY PANEL INSTALLATION



2 Modesty Panel Position

Example with Frame Leg, 21" deep
Credenza and with Visitor Access
(Worksurface Width minus 22" and plus 6")

NOTE:
If the middle bracket is in conflict with any other hardware, choose the next hole.

NOTE:
The dimensions listed are for reference only.

Style for :		Style Description	Modesty width compared to worksurface width ** 'X'
Expansion Desking	Expansion Wood		
	n/a	Legs	- 7"
L	yes	Semi-Supported Leg (Gable)	- 3"
F	yes	Flush Plates	+ 6"
H	n/a	Hang-On	- 1"
		Pedestal	- 16"
S	n/a	Lateral File, Combo Pedestal or 28" high Storage Cabinet	* - 19", - 25", - 31", - 37"
P	yes	Central Post Leg	- 16"
L	yes	Framed Leg	- 6"
n/a	yes	21" deep Credenza	- 22"
n/a	yes	24" deep Credenza	- 25"

* 1" wider than storage nominal dimension
** For better fit, use specification software

Expansion Desking Section – **Desk Accessories**

Expansion Casegoods Section – **Multi-Level Workstations**

No. **1046**

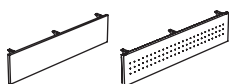
Expansion Wood Section – **Desks & Desk Accessories**

Thesis Section – **Supports & Accessories**

REML and REMO – Suspended Modesty Panels
 THCMS and THCMM – Modesty Panels
 BAMPL and BAMPM – Peninsula Modesty Panels
 B_MBL and B_MBG – Suspended Modesty Panel for Overlapping Bridge

REVL and REVO – Worksurface Suspended Modesty Panels
 THCCS and THCCM – Modesty Panels for Connecting Trapeze Work.
 B_MPL and B_MPG – Suspended Modesty Panel for Primary Work.
 ZEAMS – Suspended Modesty Panels – Wood

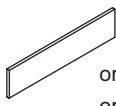
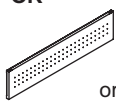





Product



REML REMO
 REVL REVO
 B_MPL B_MPG
 B_MBL B_MBG
 THCMS THCMM
 THCCS THCCM
 ZEAMS

TOOLS REQUIRED:
 Cross or Square Drive #2 and #3

SUSPENDED MODESTY PANELS - Part / Product Identification and What's Included

Ref.	Illustration/ Description	Expansion Casegoods	Expansion Wood		Expansion Desking		Thesis		
A	 Solid Suspended Modesty Panel RZEMLH_ or RZEVLH_ or BZAMSLH_ or C83-74038 +XX+09 or C05-63021 +XX+12 or C05-63022 +XX+12	1			1				
					1				
								1	
					1				
								1	
	OR	 Metal Suspended Modesty Panel N80-61509 +XX+12 or N80-61552 +XX+12 or N80-63561 +XX+12 or N80-63560 +XX+YY+12				1			
						1			
									1
									1
									1
B	 Cable Tray A15-63433 +XX or A15-63434 +XX+YY (If applicable) R80-63020+XX or R80-63015+XX+YY						1		
C	 1/4 - 20 x 5/8" Quadrex Pan Hd. M.Screw, Black E01-50403						4		
		X80-61239 (included with B_MPL, B_MPG, B_MBL, B_MBG)	X80-61240	X80-61239	X80-61240	X80-61239	X80-61240 (1x = 36" to 54" or 2x = 60" to 84")		
D	 1/4 - 20 x 5/8" Quadrex Pan Hd. M.Screw, Black E01-50403	6	4	6	4	6	4		
E	 #12 x 3/4" Quadrex Pan Hd. W. Screw, Zinc E04-50017	6	4	6	4	6	4		
F	 Modesty Bracket A15-61699	3	2	3	2	3	2		

For kit application, see next page

Expansion Desking Section – **Desk Accessories**

No. **1046**

Expansion Casegoods Section – **Multi-Level Workstations**

Expansion Wood Section – **Desks & Desk Accessories**

Thesis Section – **Supports & Accessories**

Suspended or Peninsula Modesty Panels

Kit application for Expansion Desking products

Worksurface Style: Desk (D)

Support Style	Kit Number	X80-61240	X80-61239
Hang-On Storage / Legs (1)		48" or 54" Modesty Panel Width	60" to 84" Modesty Panel Width
Small Storage (20" or less) (2)		48" to 75" Modesty Panel Width	78" or 84" Modesty Panel Width
Large Storage (24" or more) (3)		48" to 84" Modesty Panel Width	n/a

Worksurface Style: Table (T)

Support Style	Kit Number	X80-61240	X80-61239
Legs Only (1)		36" to 54" Modesty Panel Width	60" to 84" Modesty Panel Width

Worksurface Style: Worksurface

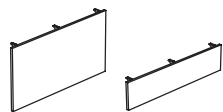
Support Styles	Kit Number	X80-61240	X80-61239
All Support Styles		30" to 59" Modesty Panel Width	60" to 84" Modesty Panel Width

Kit application for Expansion Wood products

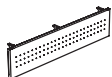
Support Styles	Kit Number	X80-61240	X80-61239
All Support Styles		31" to 45" Modesty Panel Width	46" to 81" Modesty Panel Width

EXPANSION CASEGOODS – PENINSULA MODESTY PANELS - Part / Product Identification and What's Included

Product



BAMPL



BAMPM

TOOLS REQUIRED:

Cross or Square Drive #2 and #3

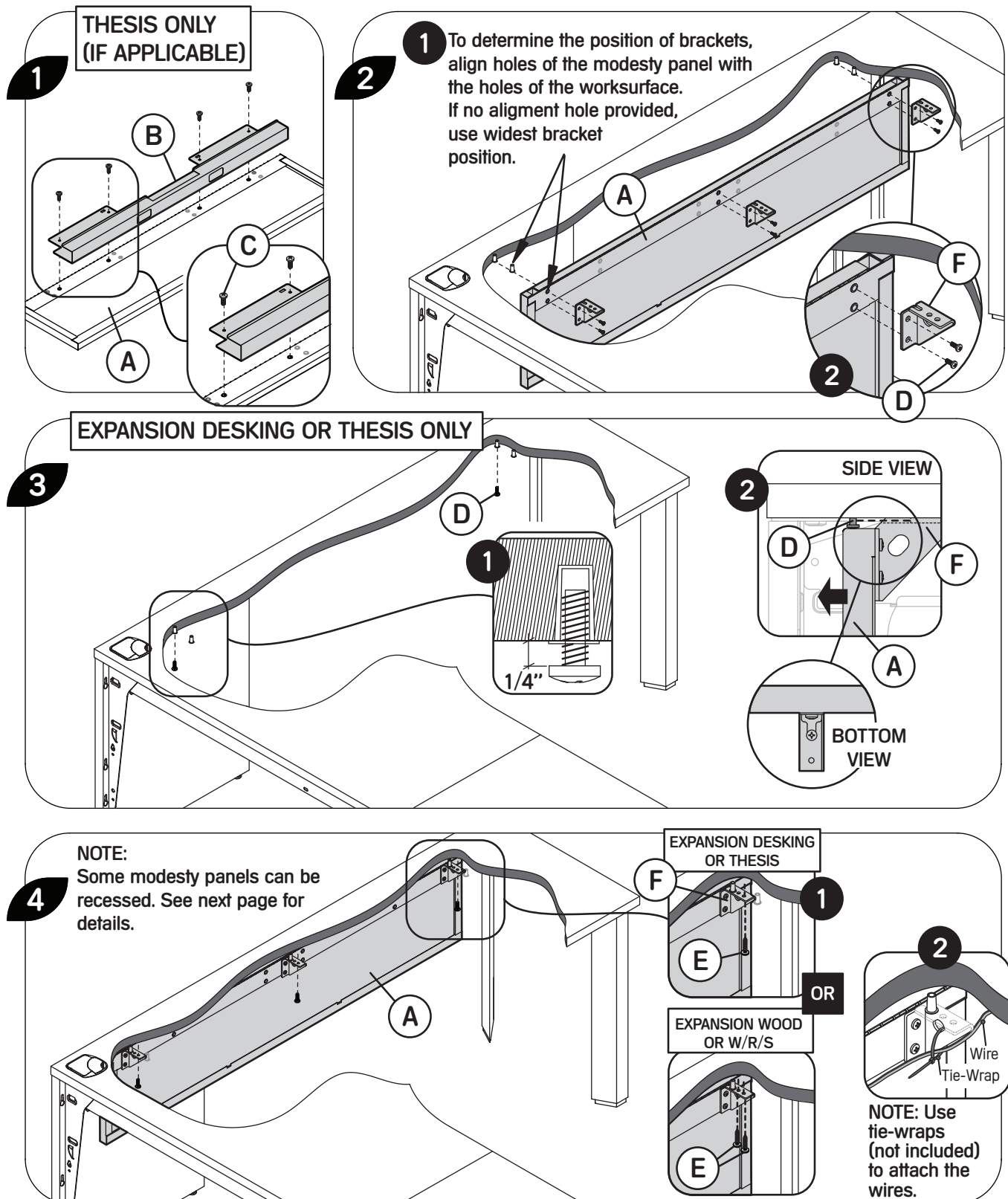
Ref.	Illustration	Description	Part No. / Prod. Code	Quantity	
A		Full-Height Peninsula Modesty Panel – Solid	BZAMPLMF	1	
		1/2 Height Peninsula Modesty Panel – Solid	BZAMPL_H		
		1/2 Height Peninsula Modesty Panel – Metal	N80-64188+XX+11 or N80-64189+XX+11		
D		1/4 - 20 x 5/8" Quadrex Pan Head Mechanical Screw, Black	E01-50403	8	10
E		#12 x 3/4" Quadrex Pan Head Wood Screw, Zinc	E04-50017	4	6
F		Metal Modesty Bracket	A15-61699	2	3
G		Slot Modesty Bracket	A15-64002	1	1

Kit Application

Support Styles	Kit Number	R80-64008 / X80-61240	R80-64009 / X80-61239
All Support Styles		48" to 60" Modesty Panel Width	66" to 84" Modesty Panel Width

Suspended or Peninsula Modesty Panels

SUSPENDED MODESTY PANEL INSTALLATION



Expansion Desking Section – **Desk Accessories**

No. 1046

Expansion Casegoods Section – **Multi-Level Workstations**

Expansion Wood Section – **Desks & Desk Accessories**

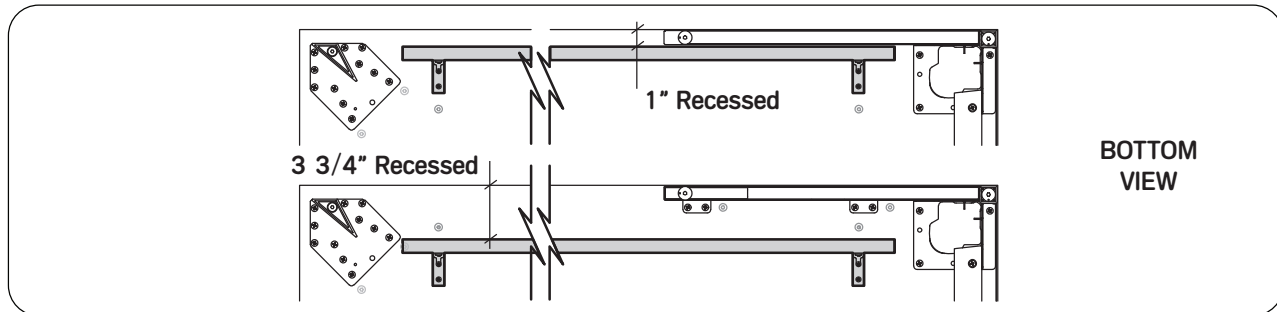
Thesis Section – **Supports & Accessories**

Suspended or Peninsula Modesty Panels

EXPANSION DESKING – SUSPENDED MODESTY PANEL POSITIONS

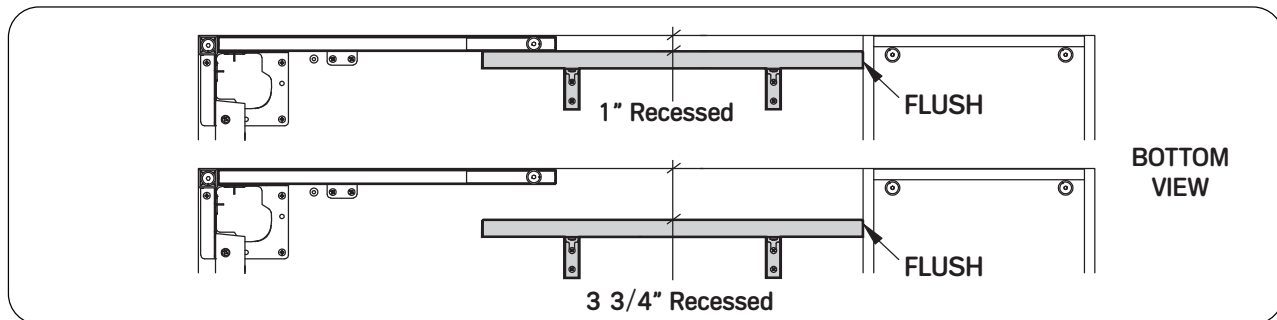
WORKSURFACE STYLES: DESKS and WORKSURFACES (RTL DL or RTL DC only)

SUPPORT STYLES: HANG-ON or LEGS



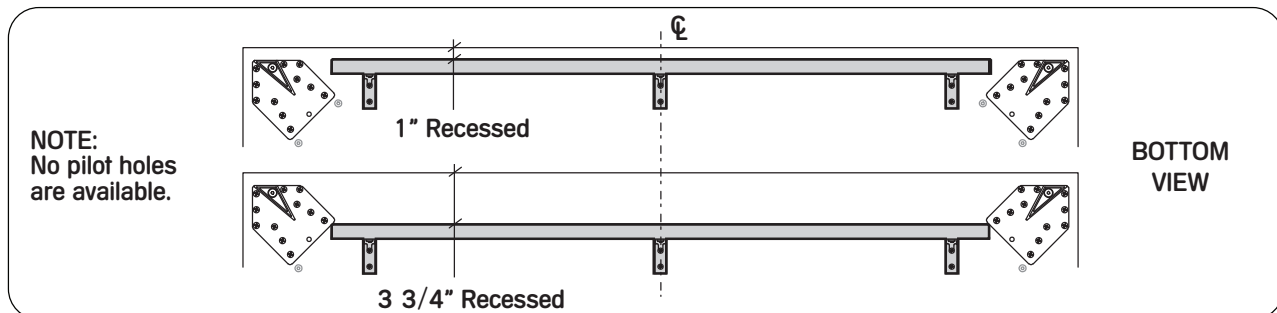
WORKSURFACE STYLES: DESKS and WORKSURFACES (RTL DL or RTL DC only)

SUPPORT STYLES: SMALL OR LARGE STORAGE



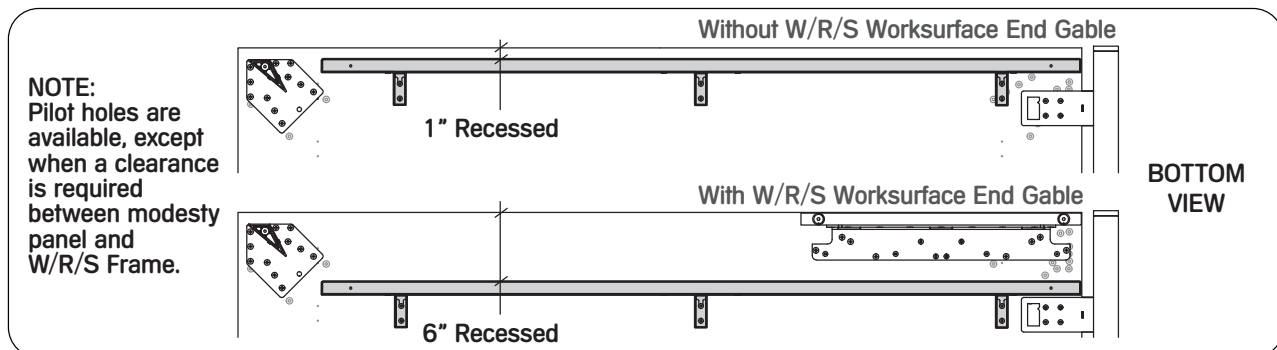
WORKSURFACE STYLES: TABLE (RTRT only)

SUPPORT STYLES: LEG only



WORKSURFACE STYLES: W/R/S WORKSURFACES (RTLVL and RTLVC only)

SUPPORT STYLES: ALL



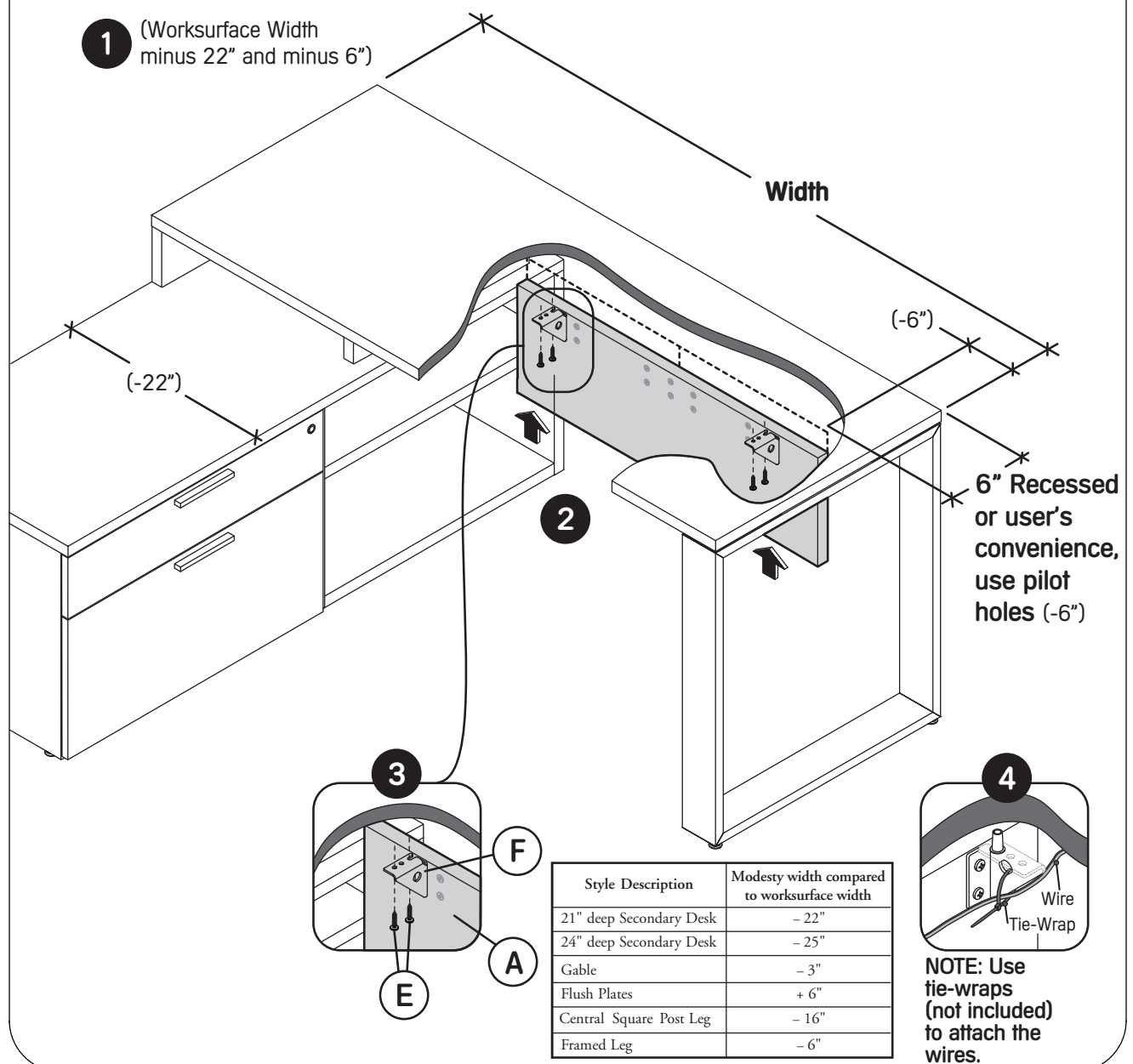
Suspended or Peninsula Modesty Panels

EXPANSION CASEGOODS – SUSPENDED MODESTY PANEL POSITIONS

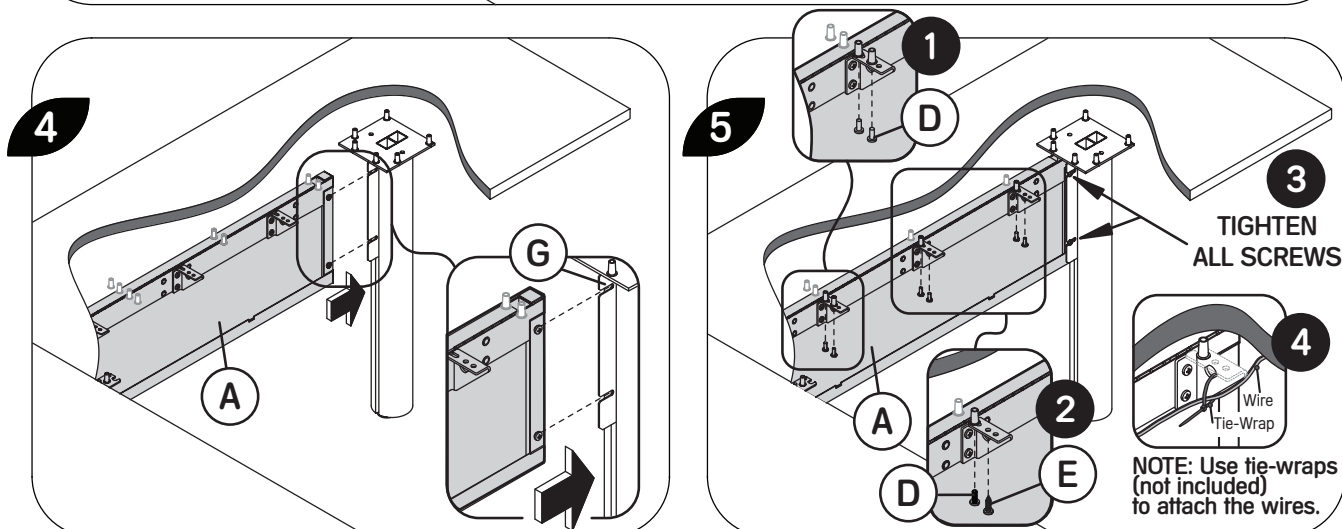
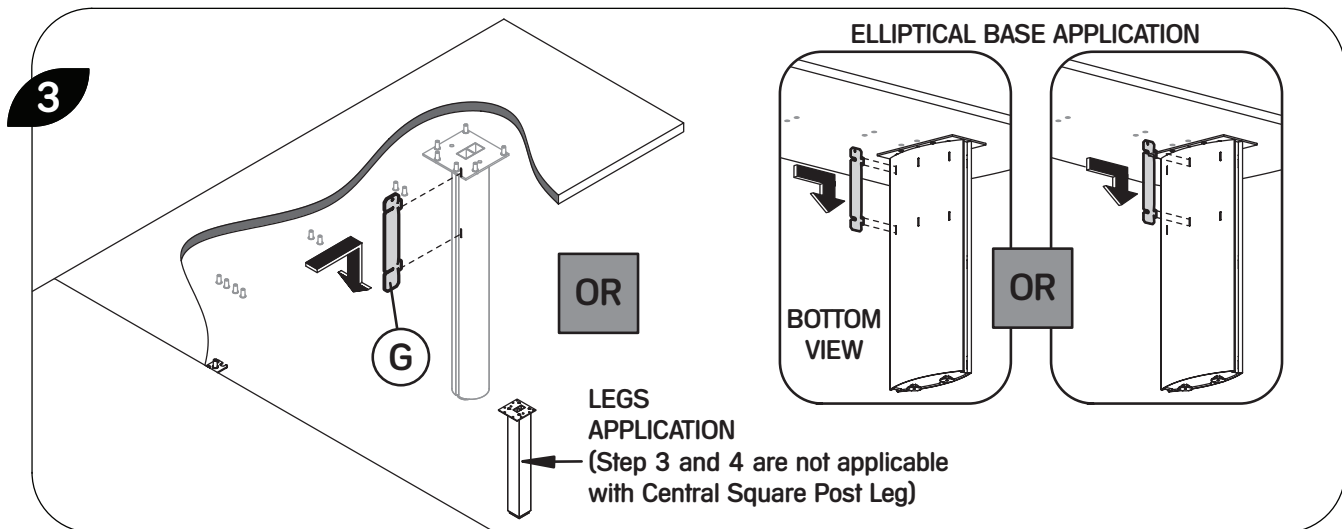
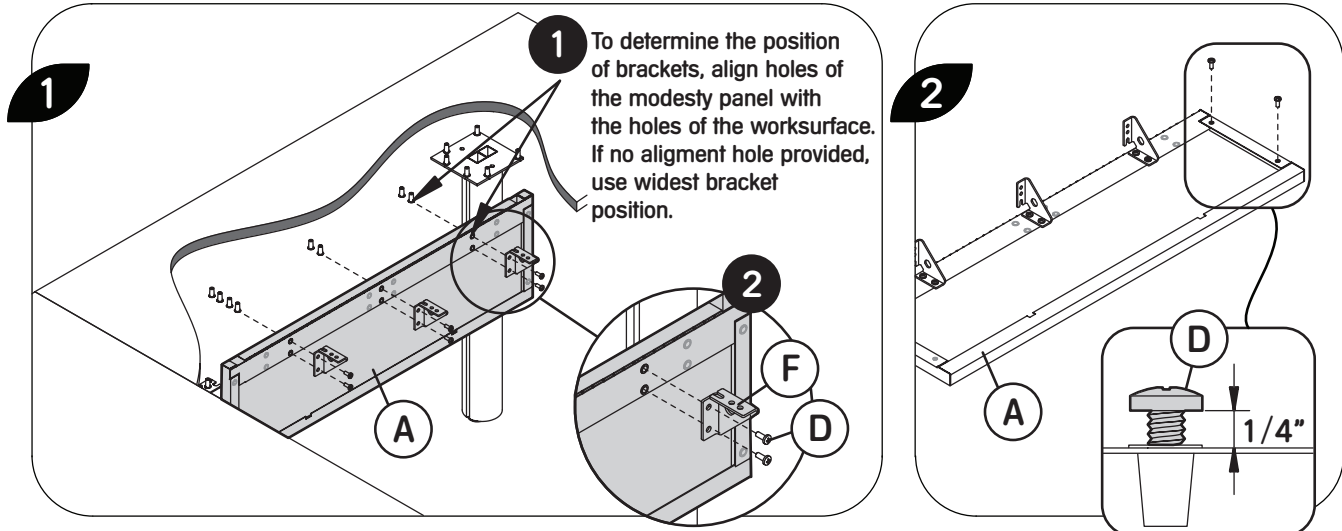
The Solid Suspended Modesty Panel is included on following products:
B_MPL, B_MPG, B_MBL and B_MBG. For modesty panel position and installation,
 refer to guide #2004 (L04-64119).

EXPANSION WOOD – SUSPENDED MODESTY PANEL POSITIONS

Exemple with Frame Leg and 21" deep Credenza



PENINSULA MODESTY PANEL INSTALLATION



Expansion Casegoods Section – **Desk Accessories**

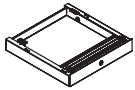
Expansion Desking Section – **Desk Accessories**

Expansion Wood Section – **Desks & Desk Accessories**

BAMDF, RADMF and ZEAMD – Multi-Functional Drawer

Product

MULTI-FUNCTIONAL DRAWER - Part / Product Identification and What's Included



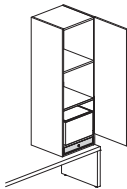
BADMF, RADMF and ZEAMD

TOOLS REQUIRED:

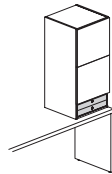
Cross or Square Drive #2
and 1/8" Hexagonal Key

Ref.	Illustration	Description	Part No. / Prod. Code	Qty.	Kit No. / Assy. No.
A		Multi-Functional Drawer	N80-64166 +17+17	1	
B		#8 x 5/8" Recex Pan Head Wood Screw, Zinc	E04-50002	6	X80-64118
C		1/4" – 20 x 3/8" Hex Socket Cap Screw Black	E01-50405	2	

LAYED-IN INSTALLATION



Single Multi-Functional Drawer in Single Pigeonhole

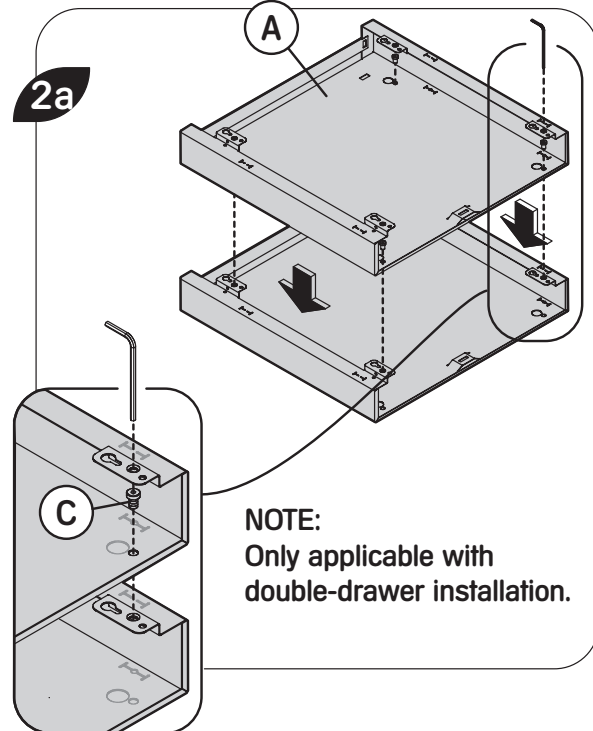
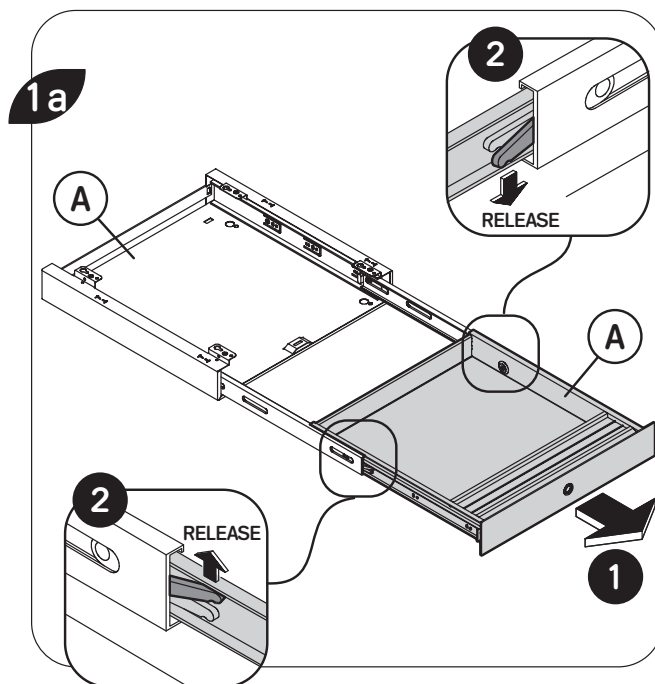


Double Multi-Functional Drawer in Double Pigeonhole

NOTE:

The Multi-Functional Drawer must be installed into the tower before it is mounted on the Secondary Desk.

For Expansion Wood product line only, the drawer is not compatible with all Mounted or Freestanding Towers.



Reference Installation Guides:

- All Desks & Work. of the Expansion Casegoods, Desking or Wood Installation Guides
- All Desks & Work. Multi-Level Workstations, except all Glass Top, Solid Height-Adjustable products and Secondary Desk for Height-Adjustable Run-Off of the Expansion Casegoods Installation Guides
- No. 1601 Expansion Wood " All Returns, Bridges and Linking Worksurface "
- No. 1602 Expansion Wood " All Credenzas "
- No. 1614 Expansion Wood " Worksurface Support for Credenza Unit ZECMS "
- No. 2009 Expansion Casegoods " Mounted Towers BCLL, BCLX, BRLL, BRLG, BRLO, BRHL, BRHG, BRHO, BCHL, BCHG, BCHOO "
- No. 2010 Expansion Casegoods " Freestanding Towers BFCL, BFCX "

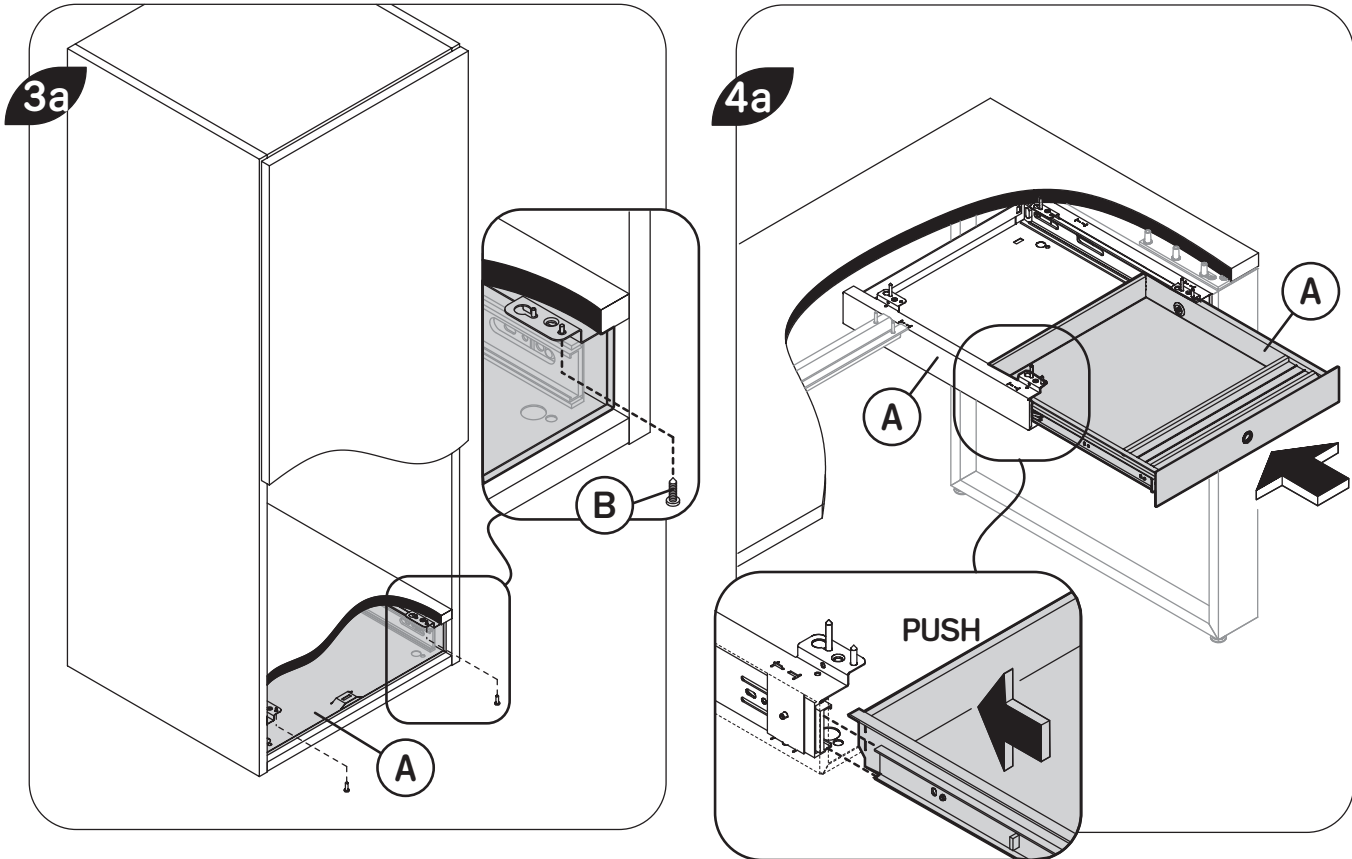
For additional information on this installation contact Teknion | Roy & Breton **Technical Support**.

Issue Date: 2015 September 28

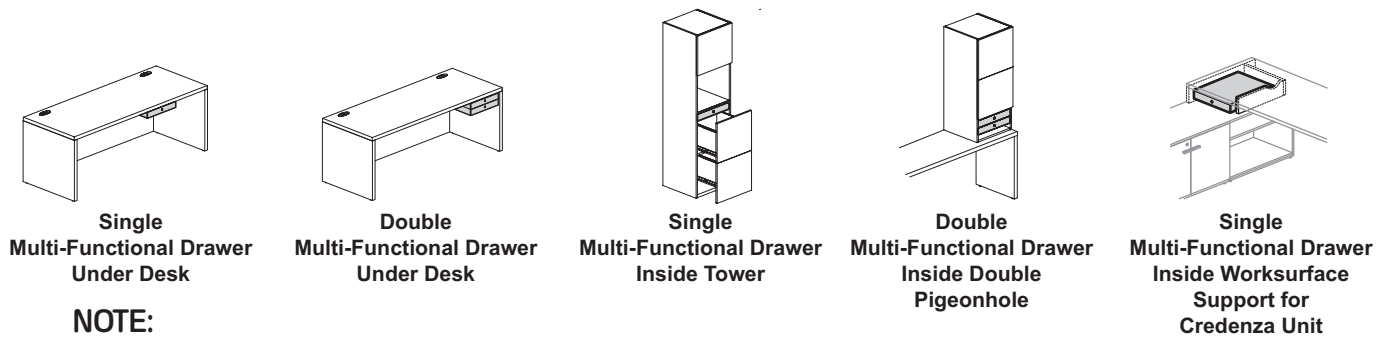
(L04-64114_R03)

BAMDF, RADMF and ZEAMD – Multi-Functional Drawer

SECURITY SCREWS INSTALLATION



SUSPENDED INSTALLATION



NOTE:

The Multi-Functional Drawer must be installed into the tower before it is mounted on the Secondary Desk.

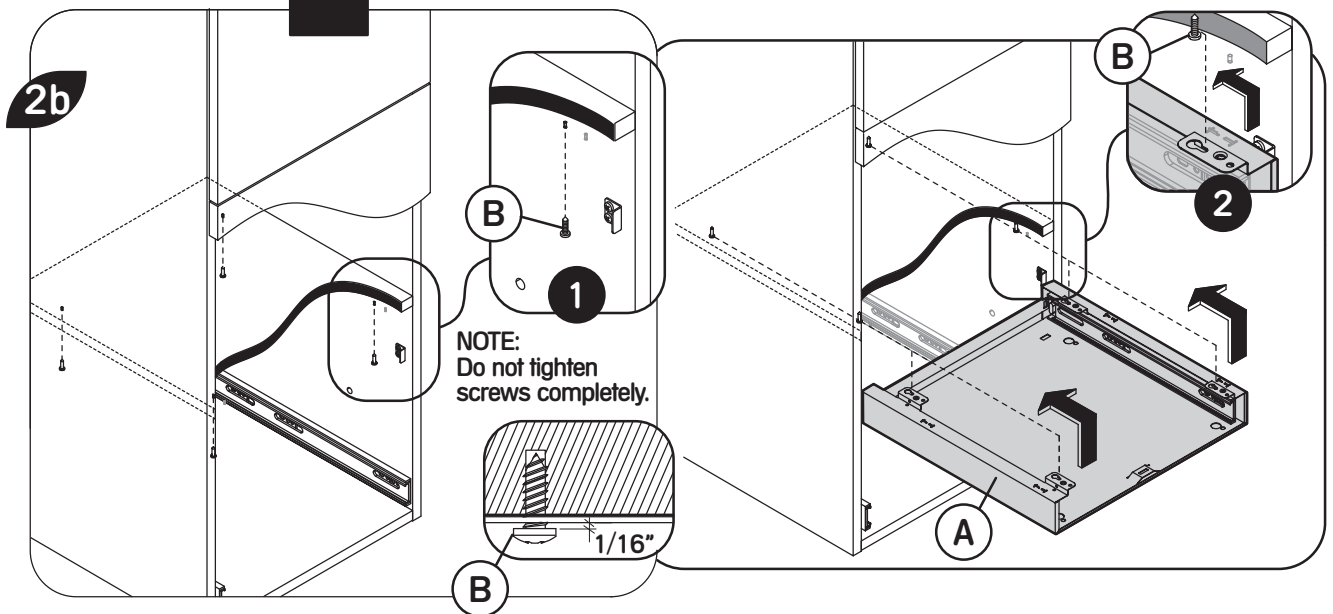
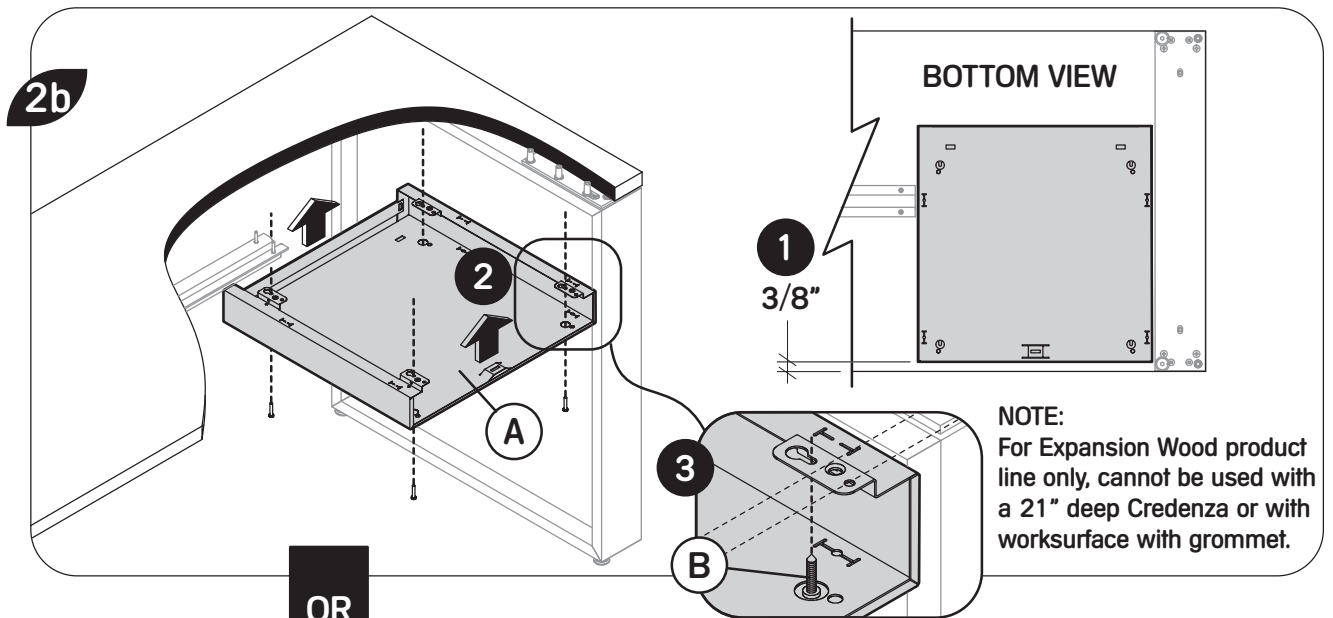
For Expansion Wood product line only, the drawer is not compatible with all Mounted or Freestanding Towers.

1b

NOTE:
Remove drawer as shown in step 1a.

BAMDF, RADMF and ZEAMD – Multi-Functional Drawer

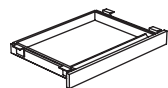
ALIGNMENT SCREWS INSTALLATION



3b **NOTE:**
For double-drawer installation, remove drawer leaving alignment screws in place and perform step 2a. Reinstall drawers in drop holes.

4b **NOTE:**
Perform step 3a and 4a to finish installation.

Product



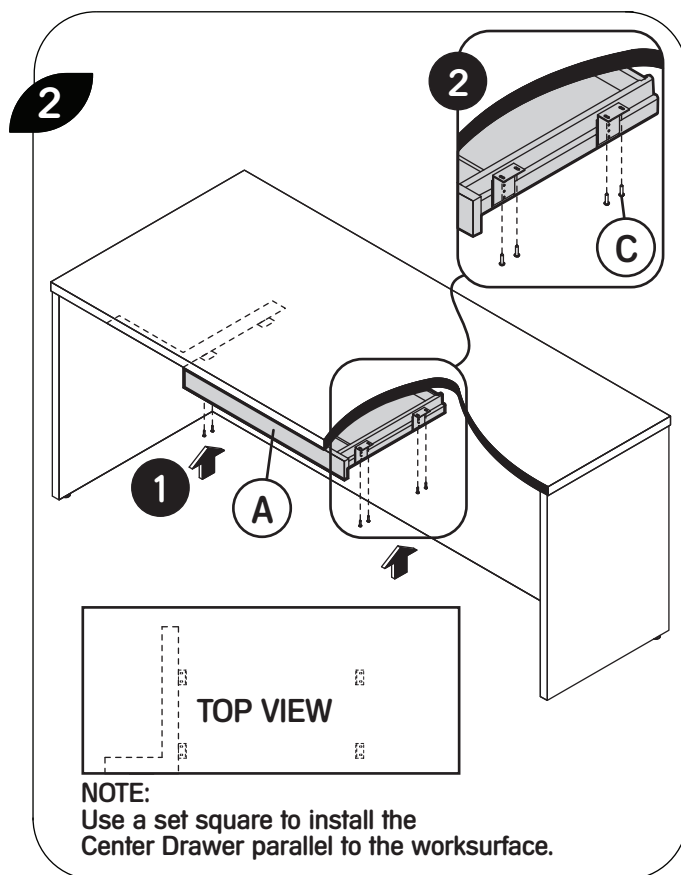
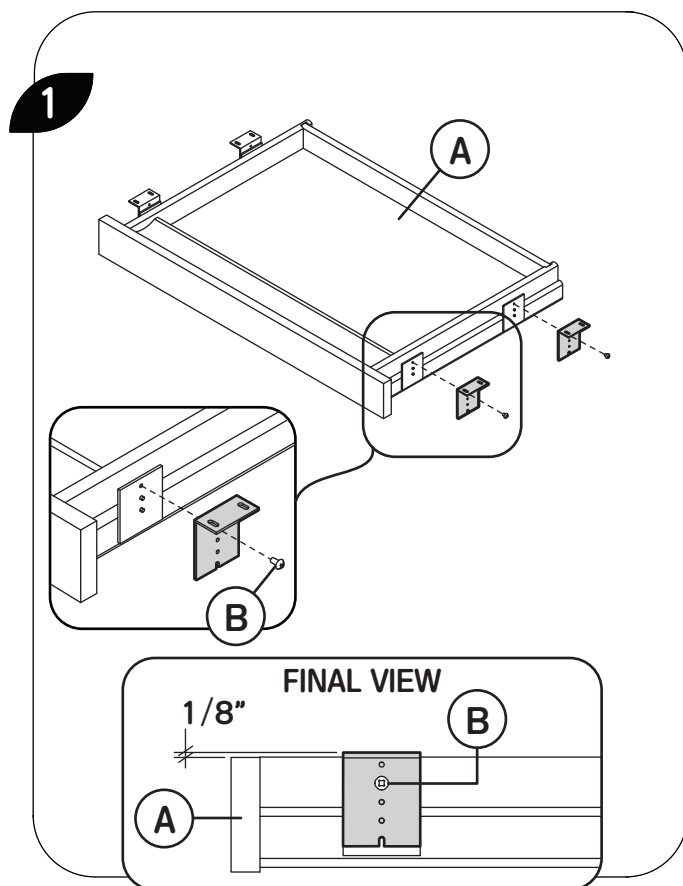
ZEACD

TOOLS REQUIRED:
 Cross or Square Drive #2,
 Power Drill, and Set Square

ZEACD - Part / Product Identification and What's Included

Ref.	Illustration	Description	Part No. / Prod. Code	Qty.	Kit No. / Assy. No.
A		Center Drawer	ZEACD	1	
B		M4 x 5 Philips Round Head, Mechanical Screw	N/A	4	
C		#8 x 5/8" Recex Pan Head, Wood Screw, Black	402100	8	X80-74016

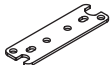

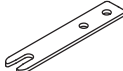

CENTER DRAWER INSTALLATION



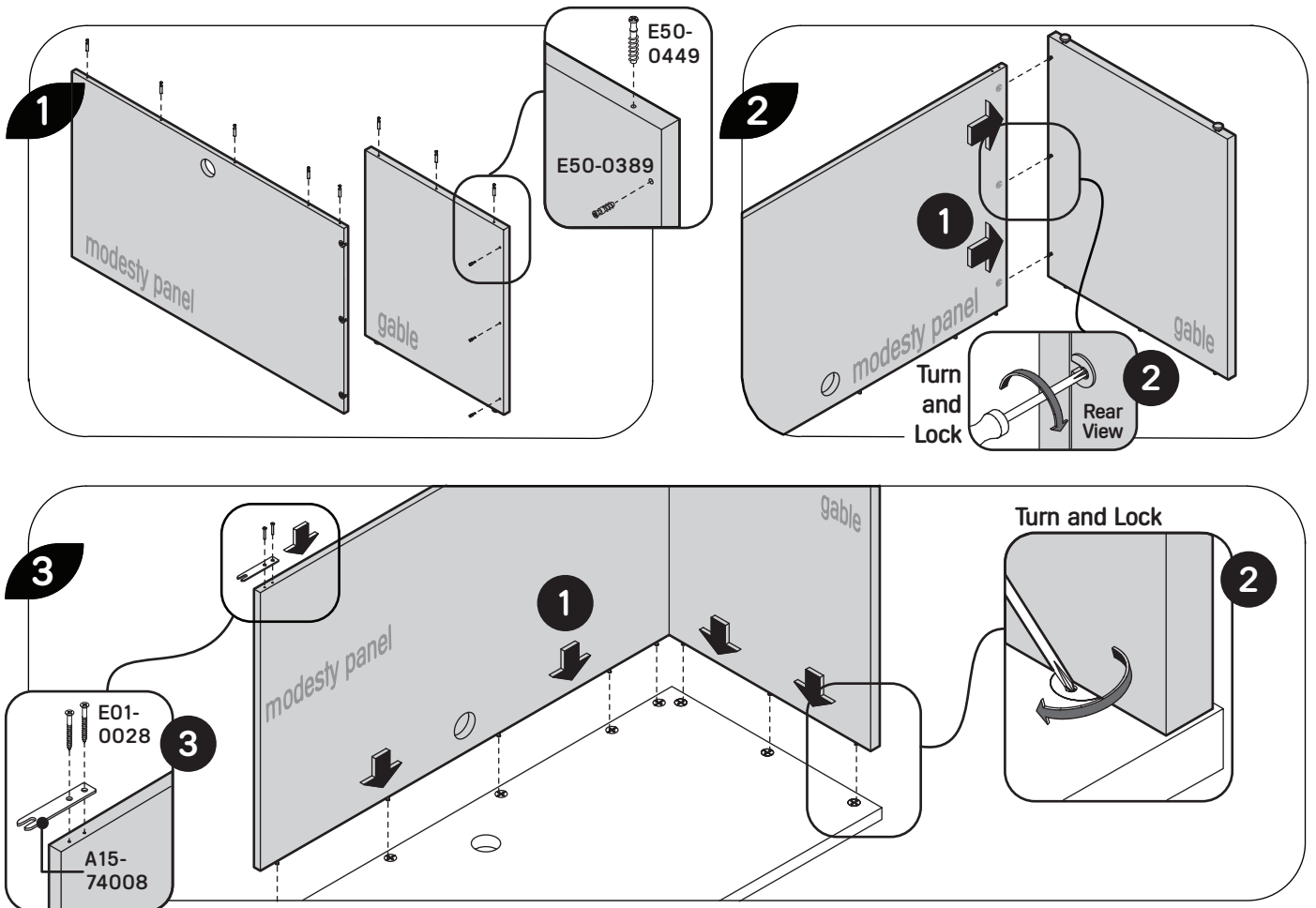
Section – Returns & Bridges

ZERRB, ZERGB, ZERRF, ZERGF, ZERRC, ZERGC, ZERRL, ZERGL, ZERRN, and ZERGN – Returns
 ZEBRF, ZEBRH and ZEBRN – Rectangular Bridges

Part Included with Kits

Illustration	Quantity		
	X80-74000 (for ZERRB, ZERGB, ZERRF, ZERGF, ZERRC, ZERGC ZERRL, ZERGL, ZERRN, ZERGN)	X80-74012 (for ZEBRH, ZEBRN)	X80-74021 (for ZEBRF only)
 Linking Plate A15-61233	2	4	4
 #12 x 3/4" Quadrex Pan Head Wood Screw, Zinc E04-50017	8	16	16
 Linking Plate for Full-Height Modesty Panel A15-74008	1		2
 #8 x 1 1/2" Recex Flat Head Wood Screw, Zinc E01-0028	2		4

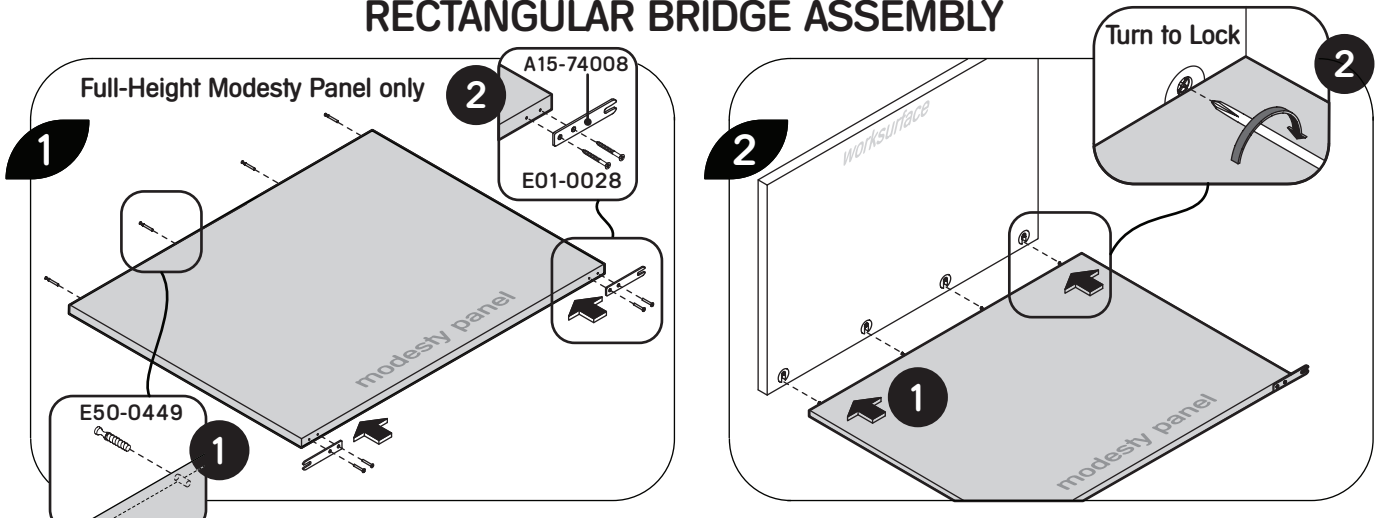
RETURN ASSEMBLY



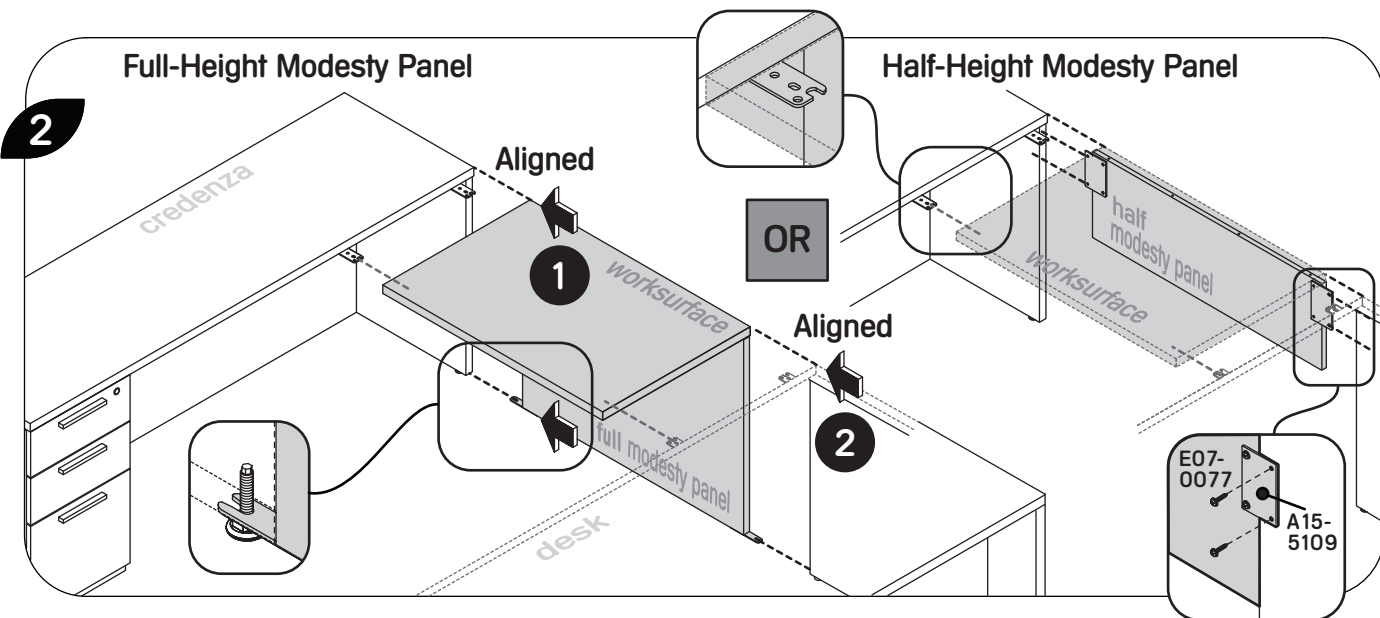
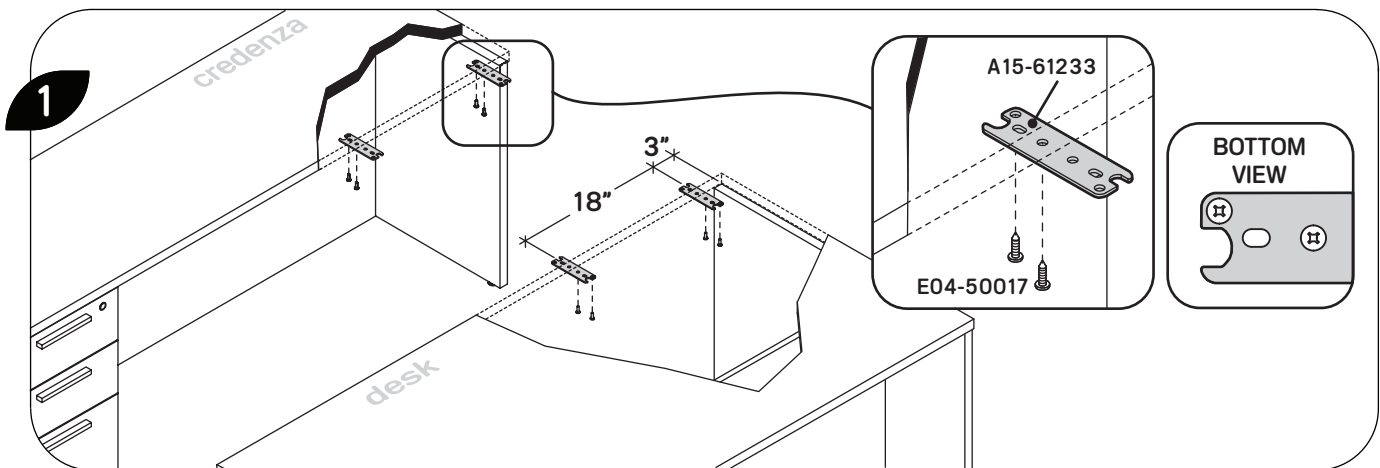
Section – Returns & Bridges

ZERRB, ZERGB, ZERRF, ZERGF, ZERRC, ZERGC, ZERRL, ZERGL, ZERRN, and ZERGN – Returns
 ZEBRF, ZEBRH and ZEBRN – Rectangular Bridges

RECTANGULAR BRIDGE ASSEMBLY

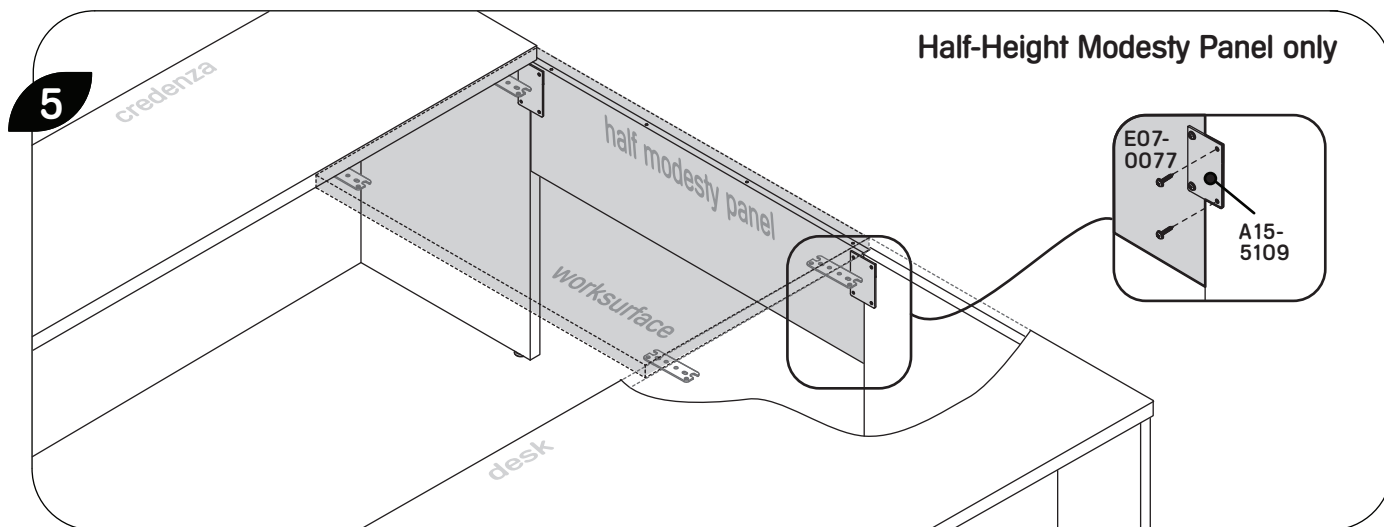
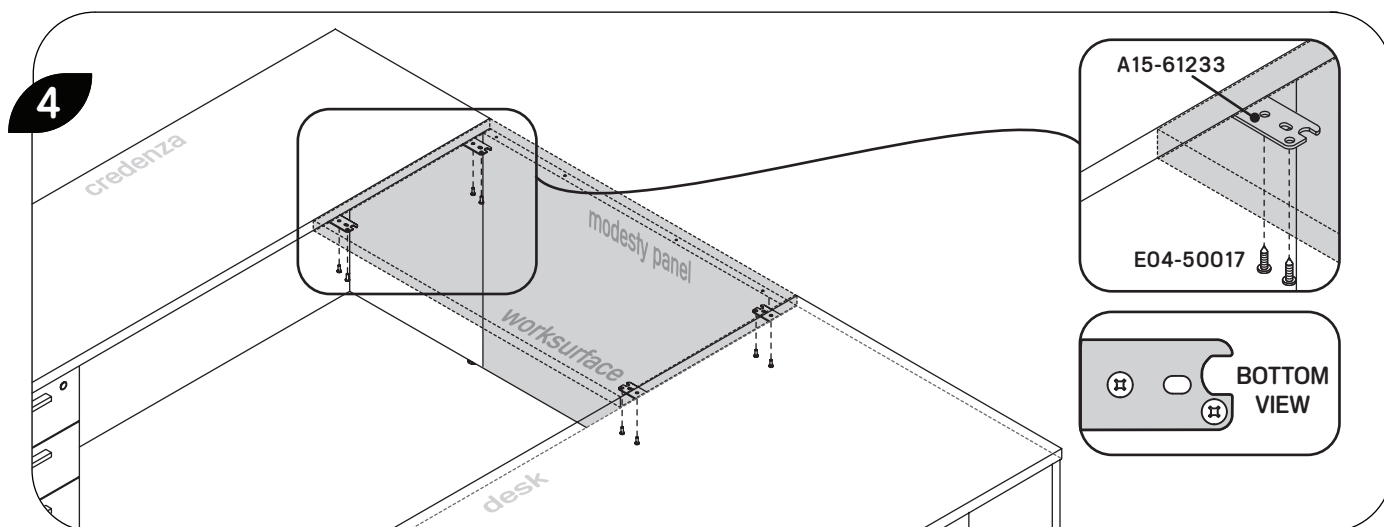
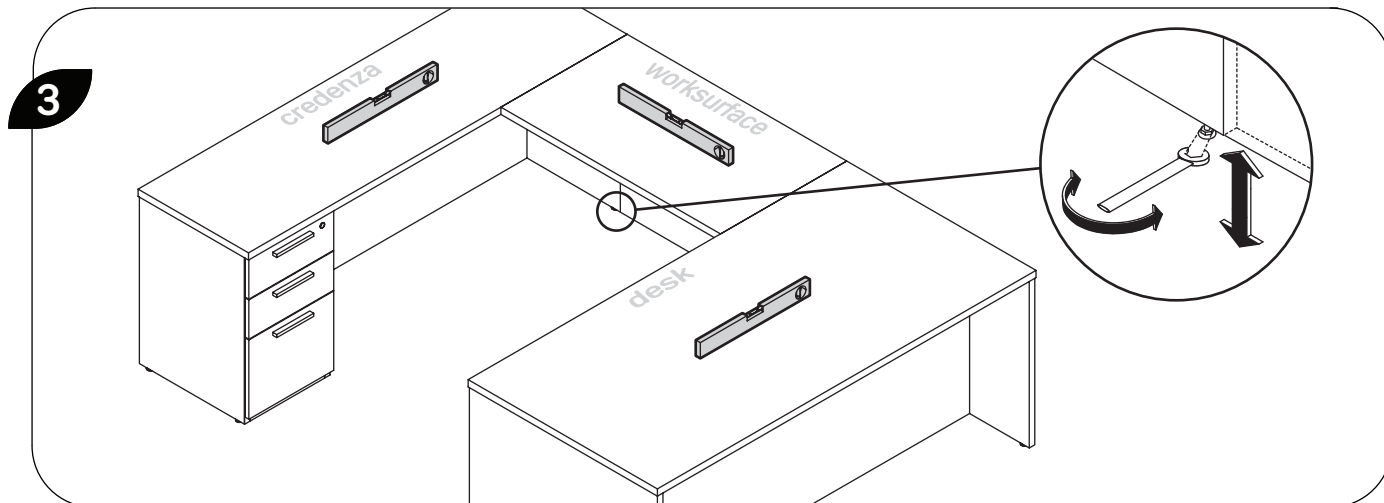


RETURN & RECTANGULAR BRIDGE INSTALLATION

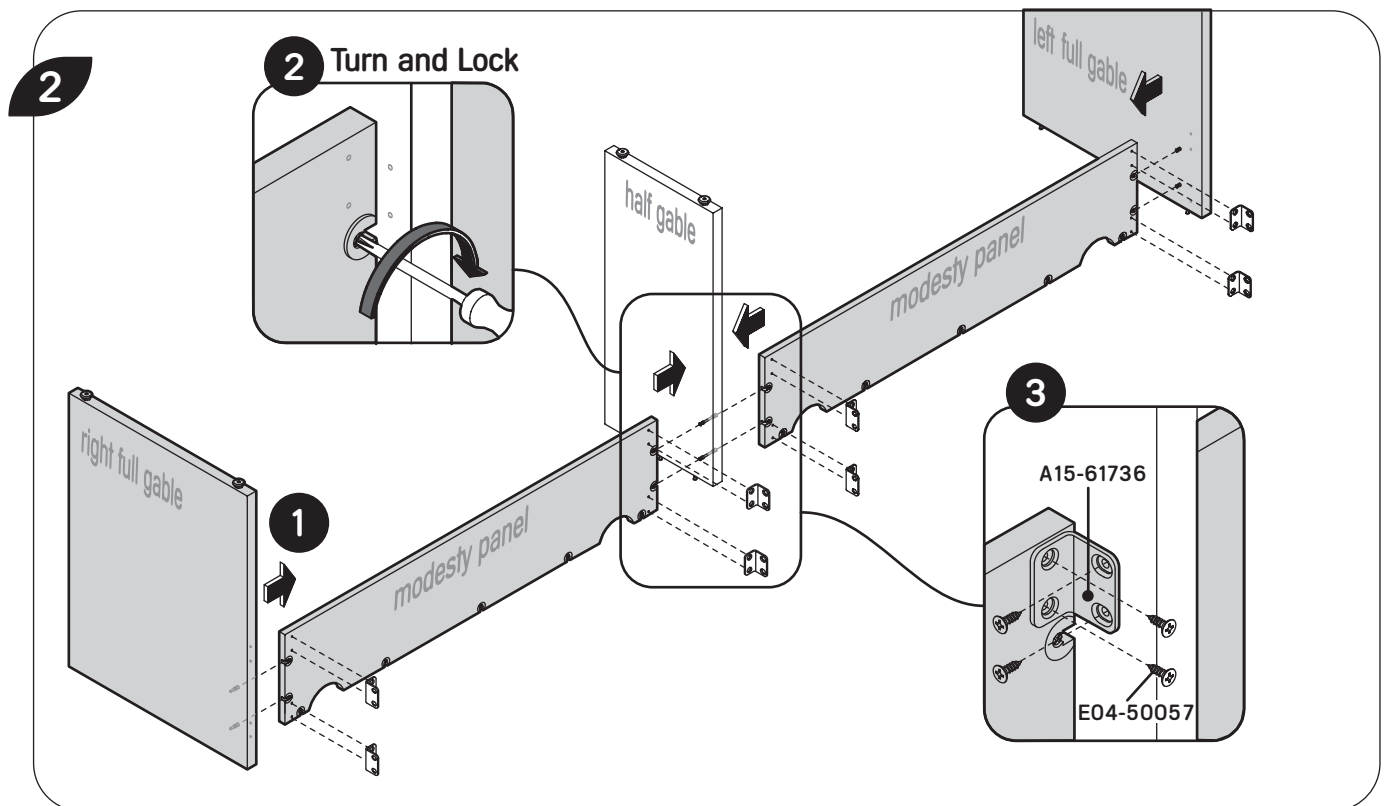
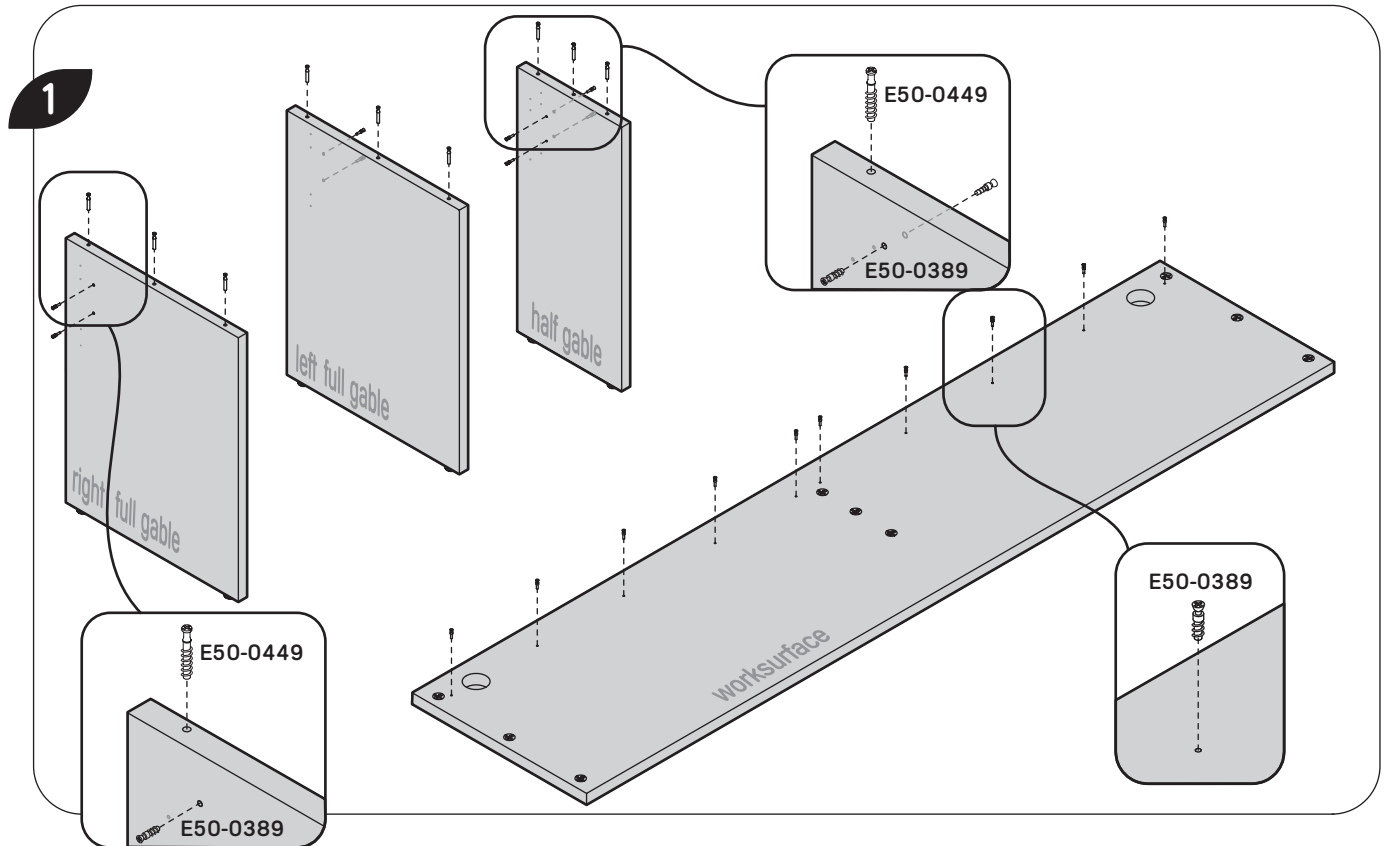


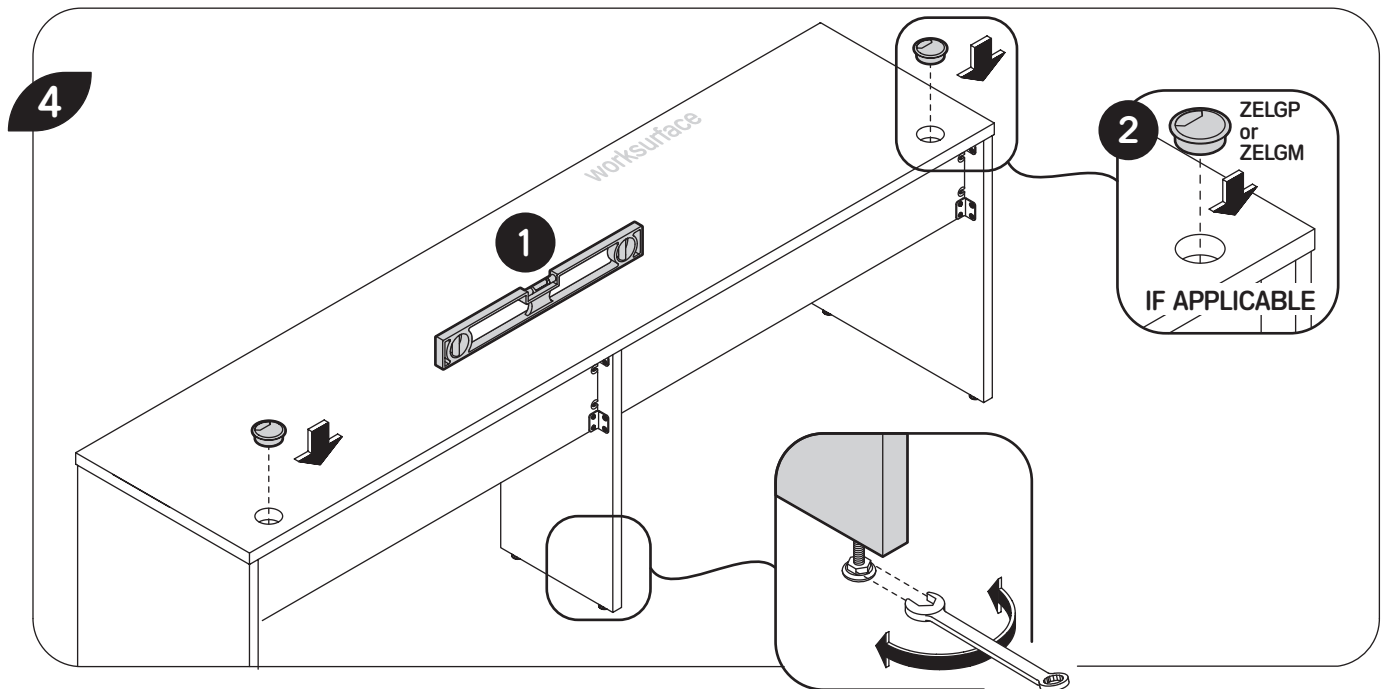
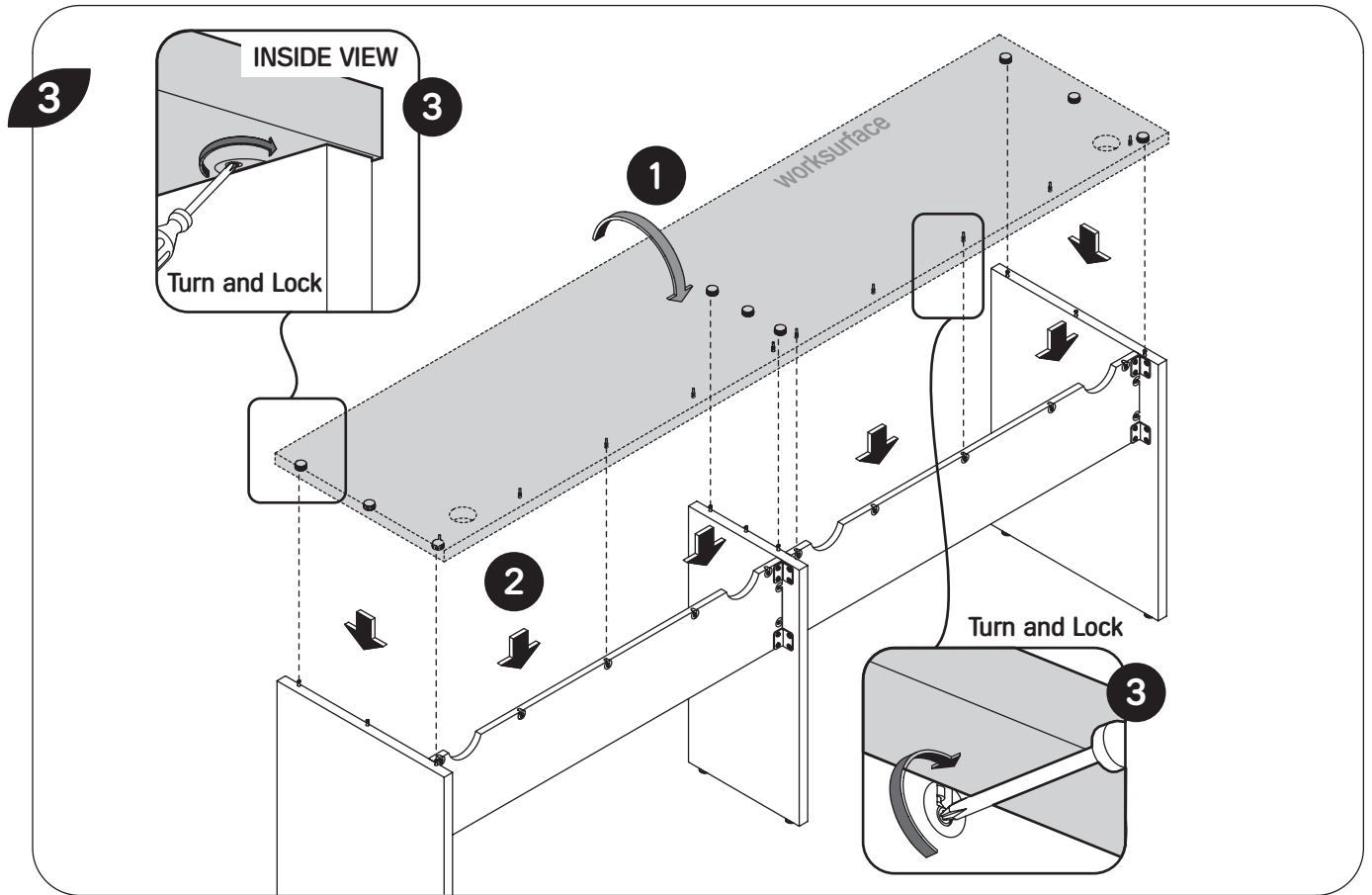
Section – Returns & Bridges

ZERRB, ZERGB, ZERRF, ZERGF, ZERRC, ZERGC, ZERRL, ZERGL, ZERRN, and ZERGN – Returns
ZEBRF, ZEBRH and ZEBRN – Rectangular Bridges



CREDENZA SHELL INSTALLATION (84" TO 108" WIDTHS ONLY)



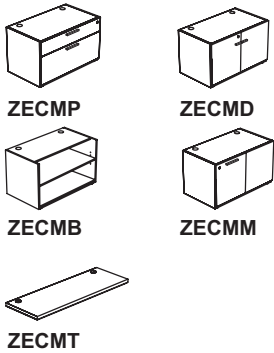


Section – Storage for Credenza Unit

ZECMP – Stretch Pedestal for Credenza Unit – Box/File
 ZECMD – Storage Cabinet for Credenza Unit
 ZECMB – Bookcase for Credenza Unit

ZECMM – Multi-Functional Storage for Credenza Unit
 ZECMT – Top for Credenza Unit

Product



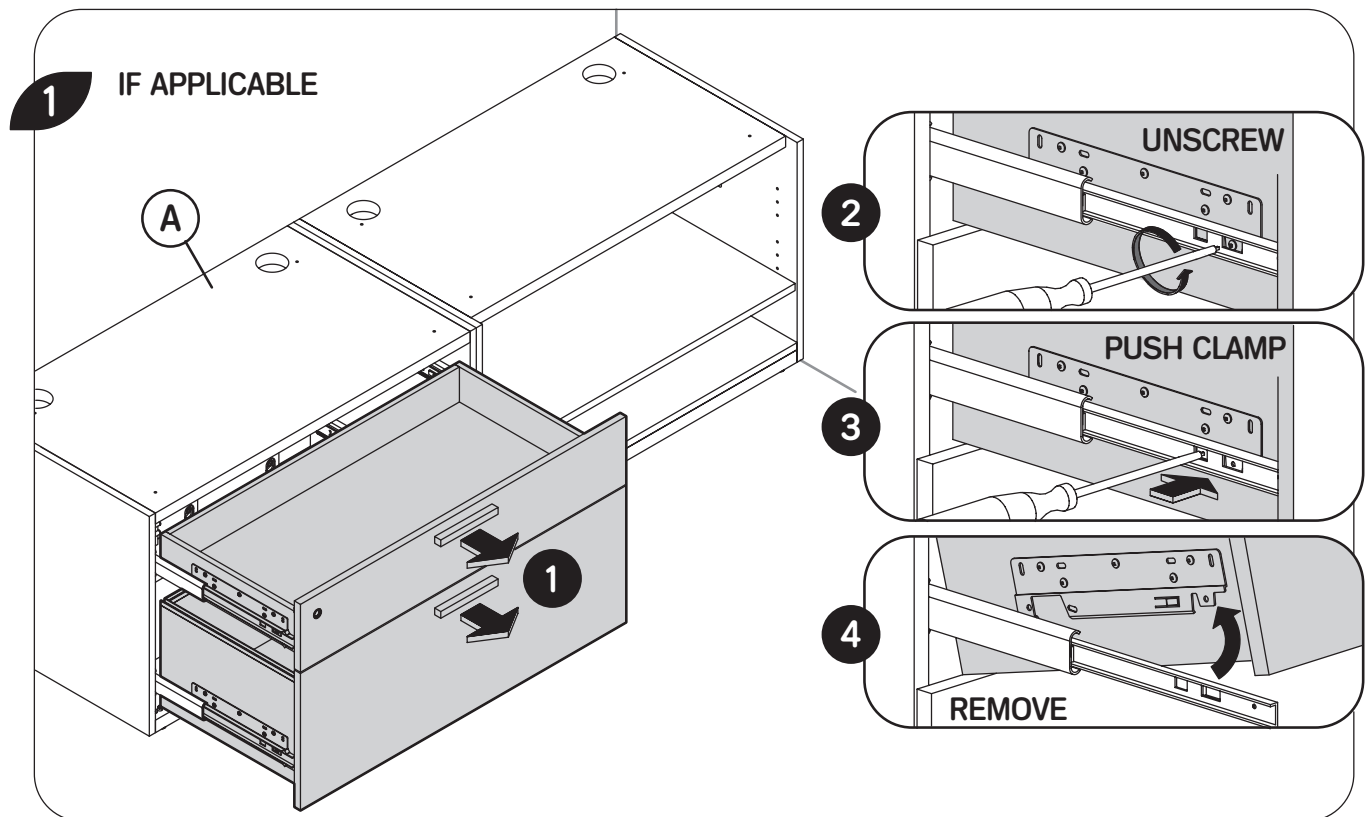
TOOLS REQUIRED:
 Cross or Square Drive #3,
 Ø3/8" Drill Bit and smaller drill
 bit for alignment hole, Level, and
 Power Driver

www = Width
 dd = Depth

STORAGE FOR CREDENZA UNIT - Part / Product Identification and What's Included

Ref.	Illustration	Description	Part No. / Prod. Code	Qty.	Kit No. / Assy. No.
A		Storage for Credenza Unit	As per Order	1	
B		#8 x 1 1/4" Recex Flat Head Wood Screw, Black	78700 2480	4	
C		Top for Credenza Unit	C80-74023 +ddwww	1	
D		1/4" – 20 x 30 mm Joint Connector Bolt Chrome	415108	2	
E		1/4" – 20 x 17 mm Joint Connector Nut Chrome	415109	2	
F		Plastic Round Grommet (Shown) or Metal Round Grommet	ZELGP or ZELGM	2	

STORAGE FOR CREDENZA UNIT INSTALLATION



Reference Installation Guides:
 No. 1614 Expansion Wood "Worksurface Support for Credenza Unit ZECMS"
 No. 1615 Expansion Wood "Pencil Tray for Credenza Unit ZECMA"

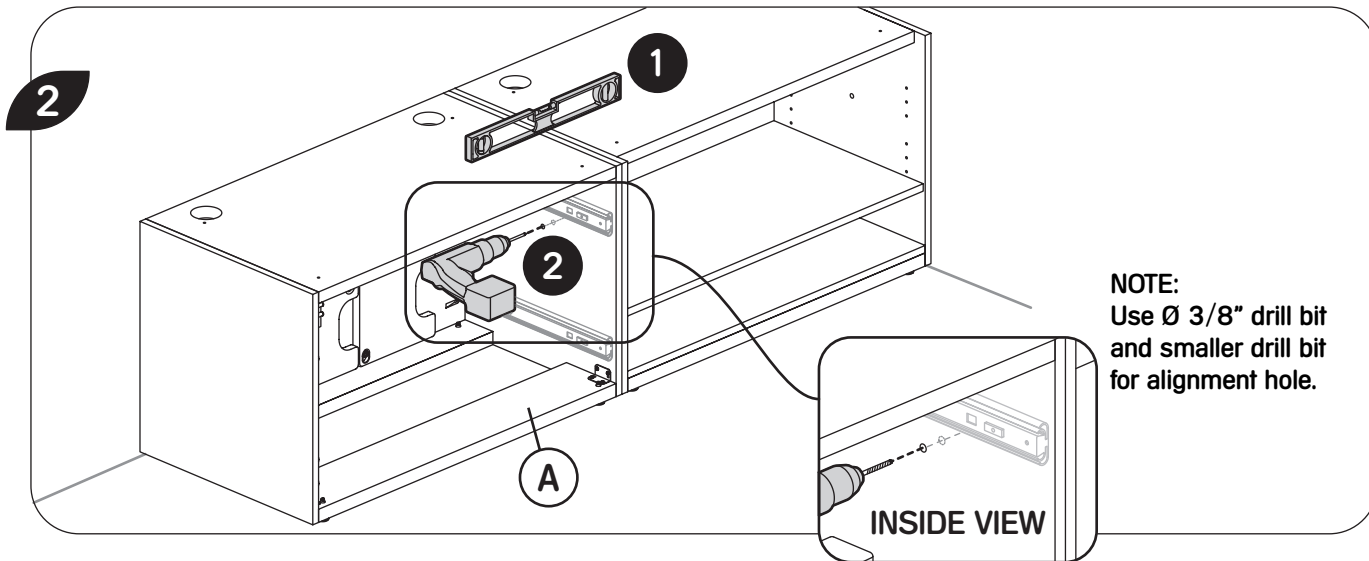
For additional information on this installation contact Teknion | Roy & Breton **Technical Support**.
Issue Date: 2013 May 27

Section – Storage for Credenza Unit

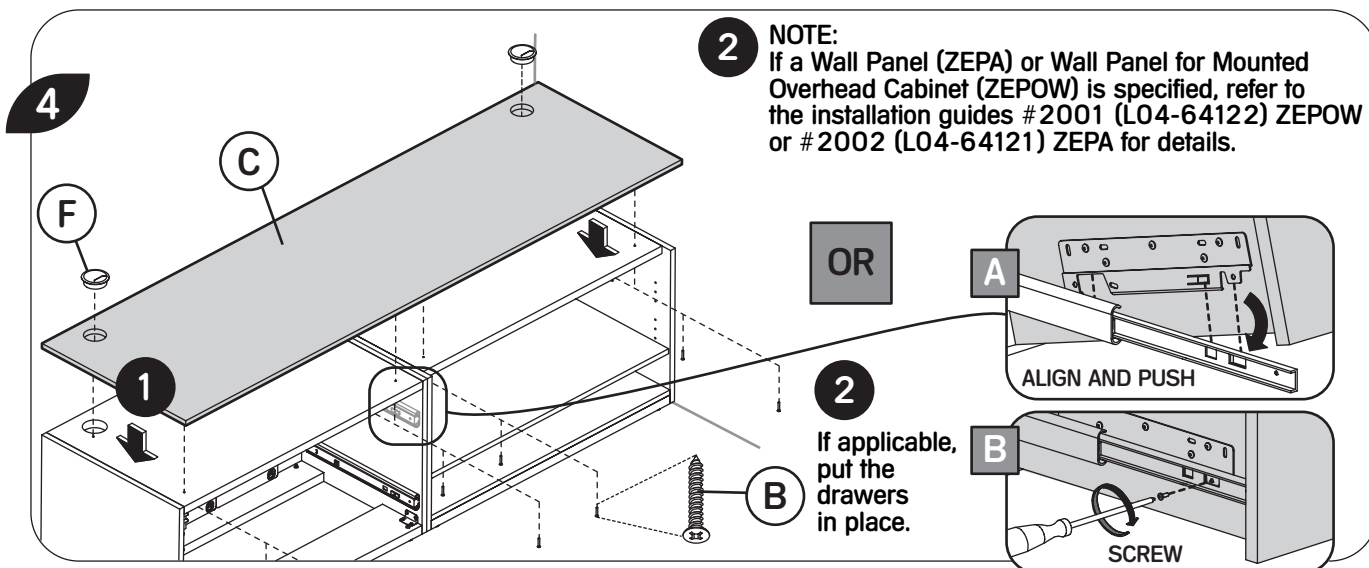
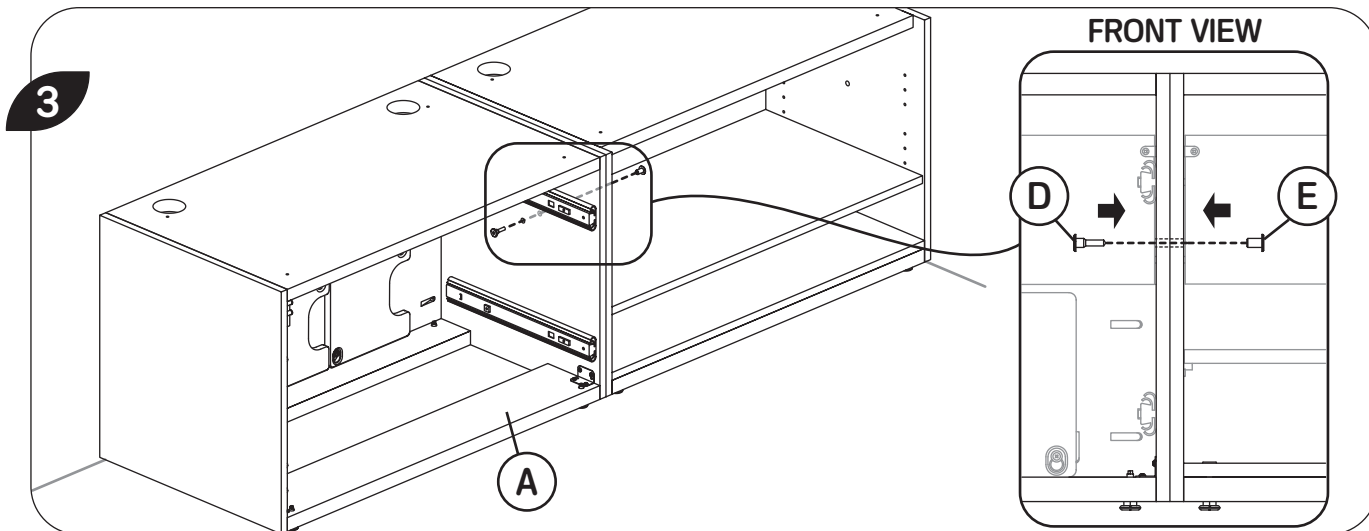
ZECMP – Stretch Pedestal for Credenza Unit – Box/File
 ZECMD – Storage Cabinet for Credenza Unit
 ZECMB – Bookcase for Credenza Unit

ZECMM – Multi-Functional Storage for Credenza Unit
 ZECMT – Top for Credenza Unit

No. 1613

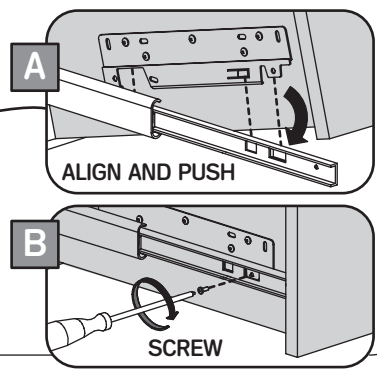


NOTE:
 Use Ø 3/8" drill bit
 and smaller drill bit
 for alignment hole.



NOTE:
 If a Wall Panel (ZEPA) or Wall Panel for Mounted
 Overhead Cabinet (ZEPOW) is specified, refer to
 the installation guides #2001 (L04-64122) ZEPOW
 or #2002 (L04-64121) ZEPA for details.

OR



Section – **Storage for Credenza Unit**

ZECMP – Stretch Pedestal for Credenza Unit – Box/File
ZECMD – Storage Cabinet for Credenza Unit
ZECMB – Bookcase for Credenza Unit

ZECMM – Multi-Functional Storage for Credenza Unit
ZECMT – Top for Credenza Unit

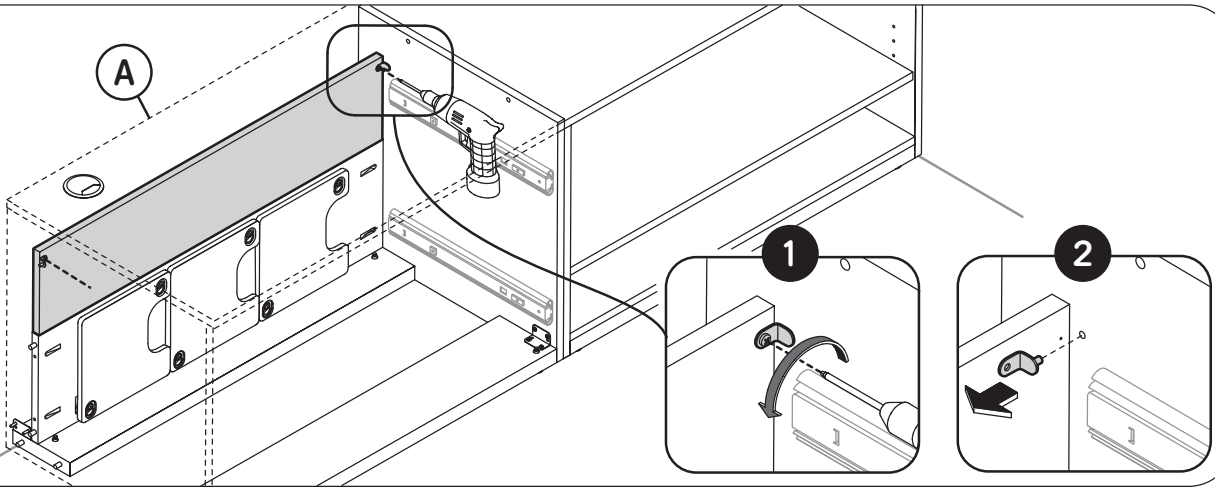
ELECTRICAL WALL ACCESS

1

REMOVE DRAWERS (If Applicable)

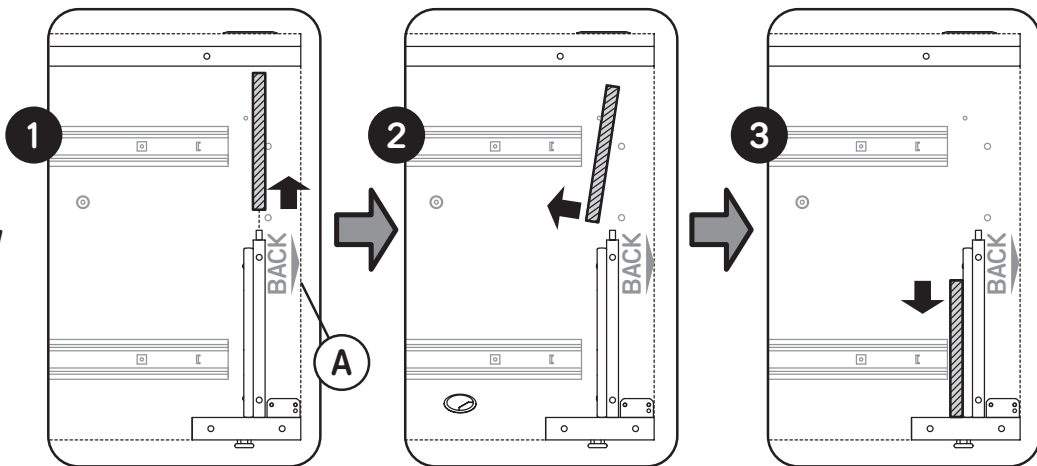
Refer to step 1 (Storage for Credenza Unit Installation) of the previous installation.

2



3

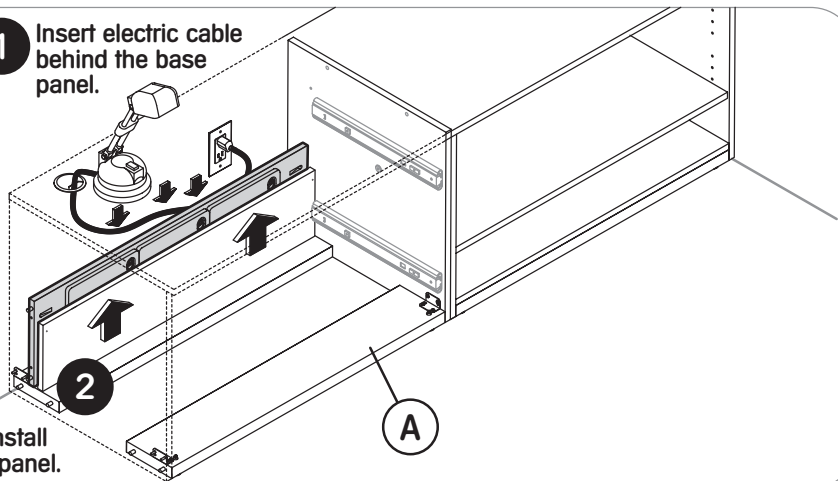
SIDE VIEW



4

1 Insert electric cable behind the base panel.

2 Reinstall top panel.



5

PUT THE DRAWERS IN PLACE (If Applicable)
Refer to step 4 (Storage for Credenza Unit Installation) of the previous installation.

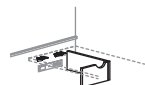
Product



ZECMSN



ZECMSP


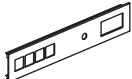


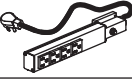










ZECMSW

TOOLS REQUIRED:

Cross or Square Drive #2 and #3, Mallet, and Level

WORKSURFACE SUPPORTS FOR CREDENZA UNIT
- Part / Product Identification and What's Included

Ref.	Illustration		ZECMSN	ZECMSP	ZECMSW	Kit No. / Assy. No.
			Quantity			
A		#10 x 1" Quadrex Flat Head Wood Screw, Black E04-50032	10 (30" wd) or 12 (36" wd)	10 (30" wd) or 12 (36" wd)	6	
B		Cover N/A		1		
C		Power Bar Clip N/A		3		
D		Quadrex Pan Head Wood Screw N/A		6		CVLP
E		Power Bar N/A		1		
F		Data Blank Plate N/A		1		
G		Worksurface Support Bracket A15-74010	2	2		
H		#10 x 7/8" Quadrex Pan Washer Hd. Wood Screw, Zinc E07-0077	10	10		X80-74022
I		1/4" – 20 x 5/8" Quadrex Pan Head M. Screw, Black E01-50403	8	8		
J		1/32" x 1/2" High/Low Foam Double Face Tape E08-50008	2	2		
K		Worksurface Bracket A15-64181			2	
L		#12 x 3/4" Quadrex Pan Head Wood Screw, Zinc E04-50017			16	R80-64002
M		1/32" x 1/2" High/Low Foam Double Face Tape E08-50008			2	

Reference Installation Guides:

- No. 1610 Expansion Wood "Rectangular Peninsula Worksurface with Central Post Leg ZEMWP"
- No. 1601 Expansion Wood "Rectangular Linking Worksurface ZEBRM"
- No. 1613 Expansion Wood "Storage for Credenza Unit ZECMP, ZECMD, ZECMM, ZECMT"
- No. 2001 Expansion Wood "Wall Panel for Mounted Overhead Cabinet ZEPOW"
- No. 2001 Expansion Wood "Wall Panel ZEPA"
- No. 2005 Expansion Wood "Rectangular Peninsula Worksurface with Gable ZEMWS"

For additional information on this installation contact Teknion | Roy & Breton **Technical Support**.

Issue Date: 2014 January 27

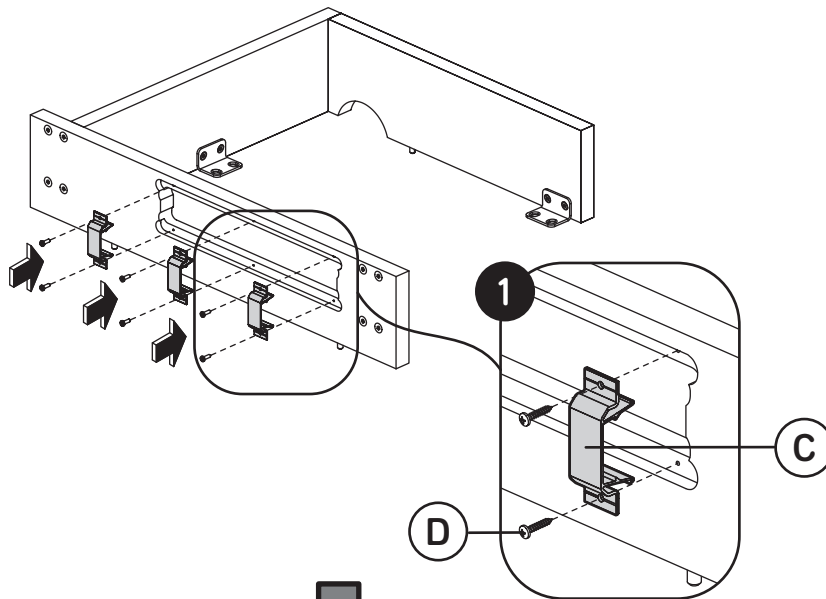
(L04-74011_R01)

WORKSURFACE SUPPORT FOR CREDEZA UNIT INSTALLATION (WITH END SUPPORT; WITH (P) OR NO (N) POWER AND DATA)

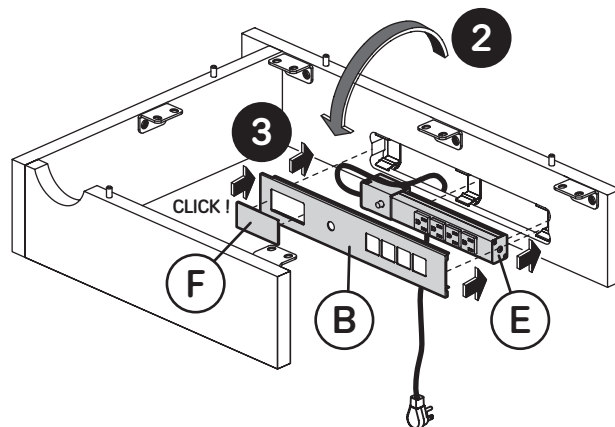
IF APPLICABLE

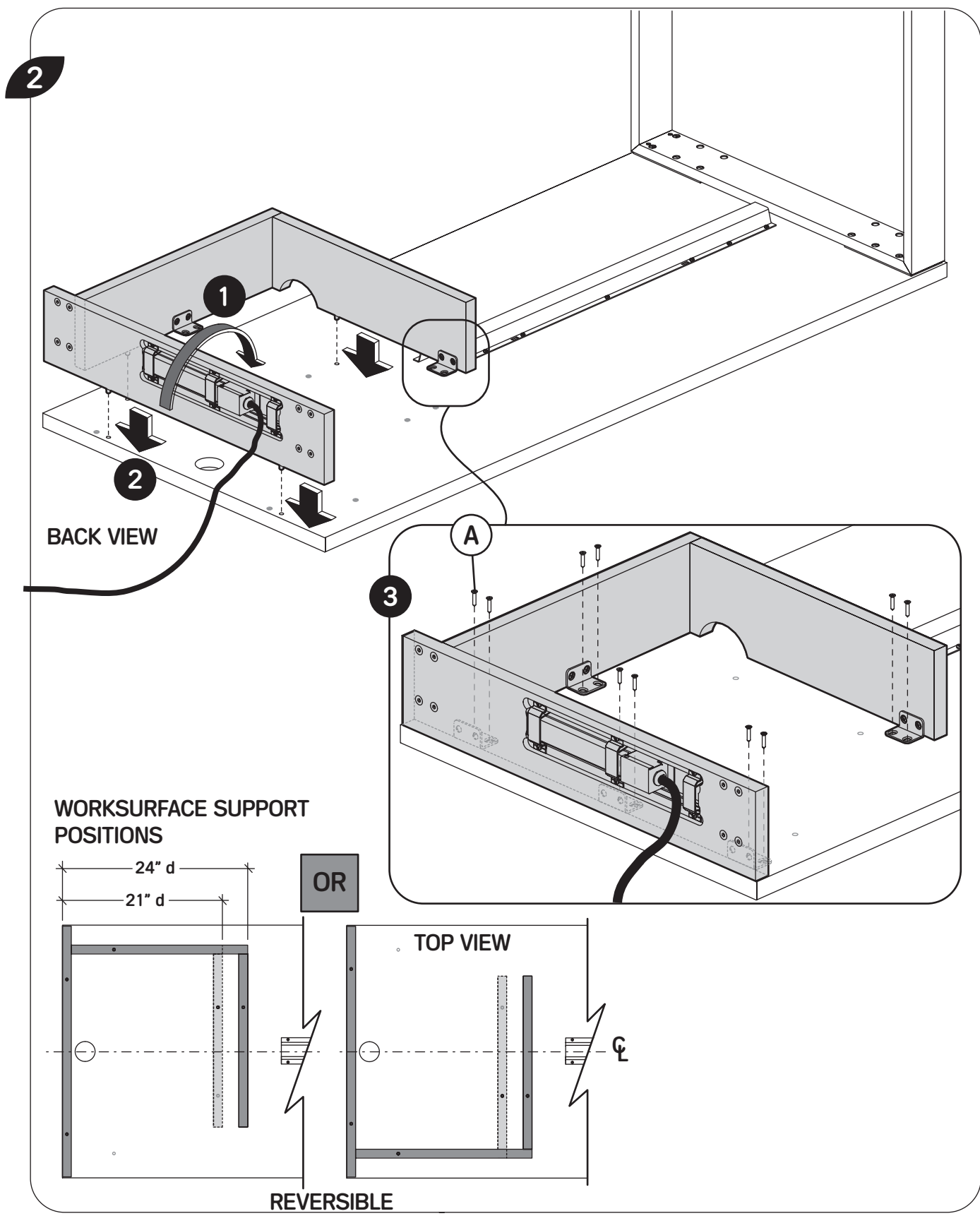
1

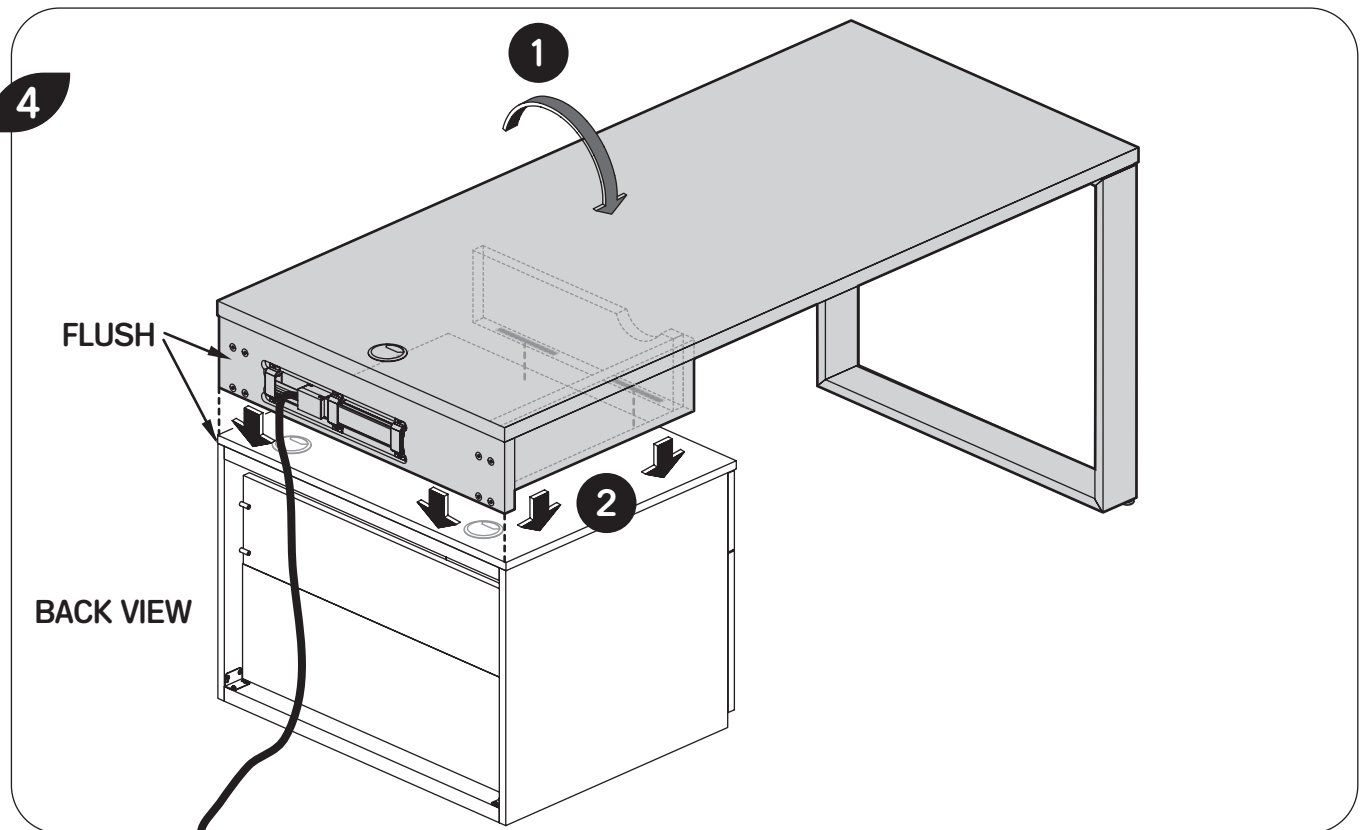
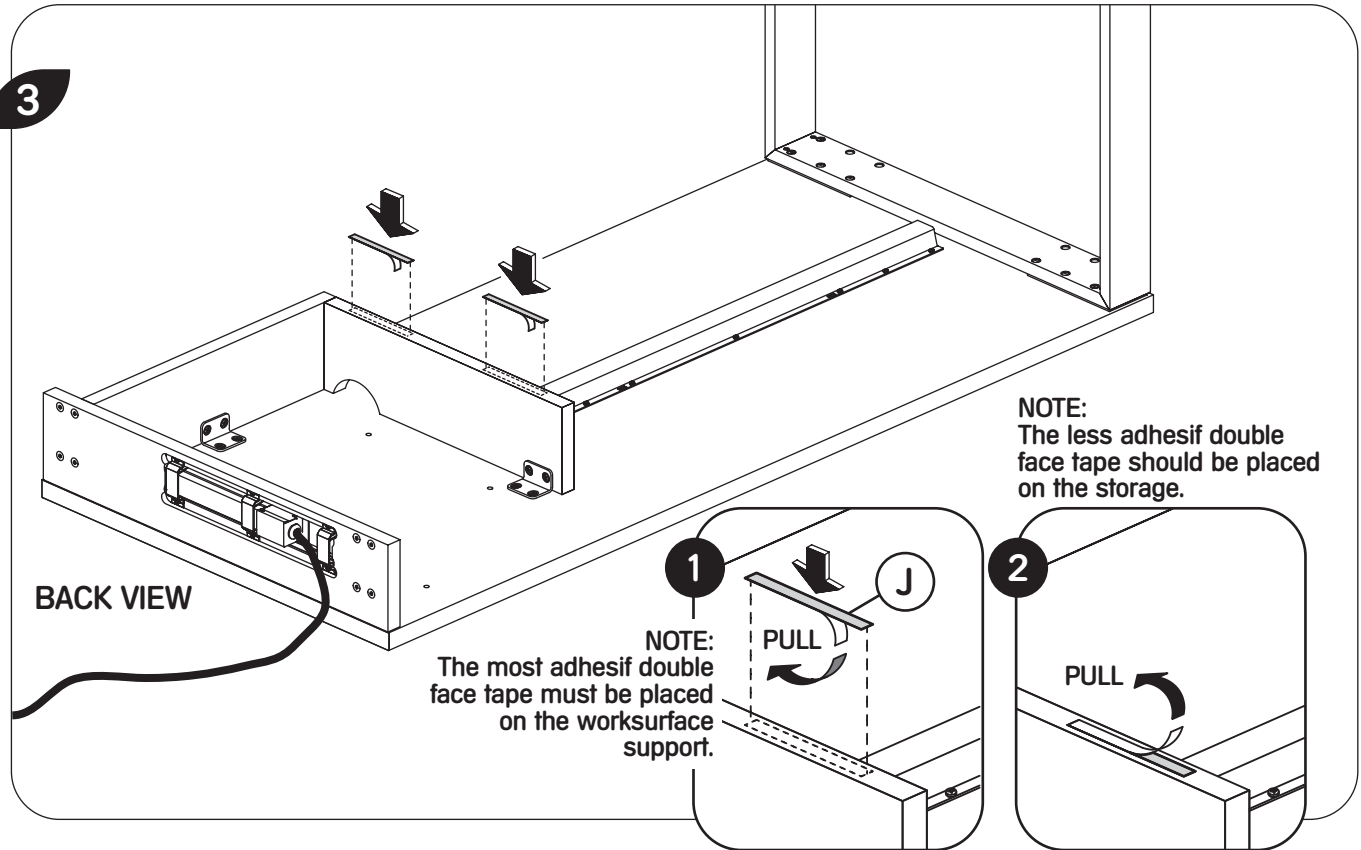
BACK VIEW



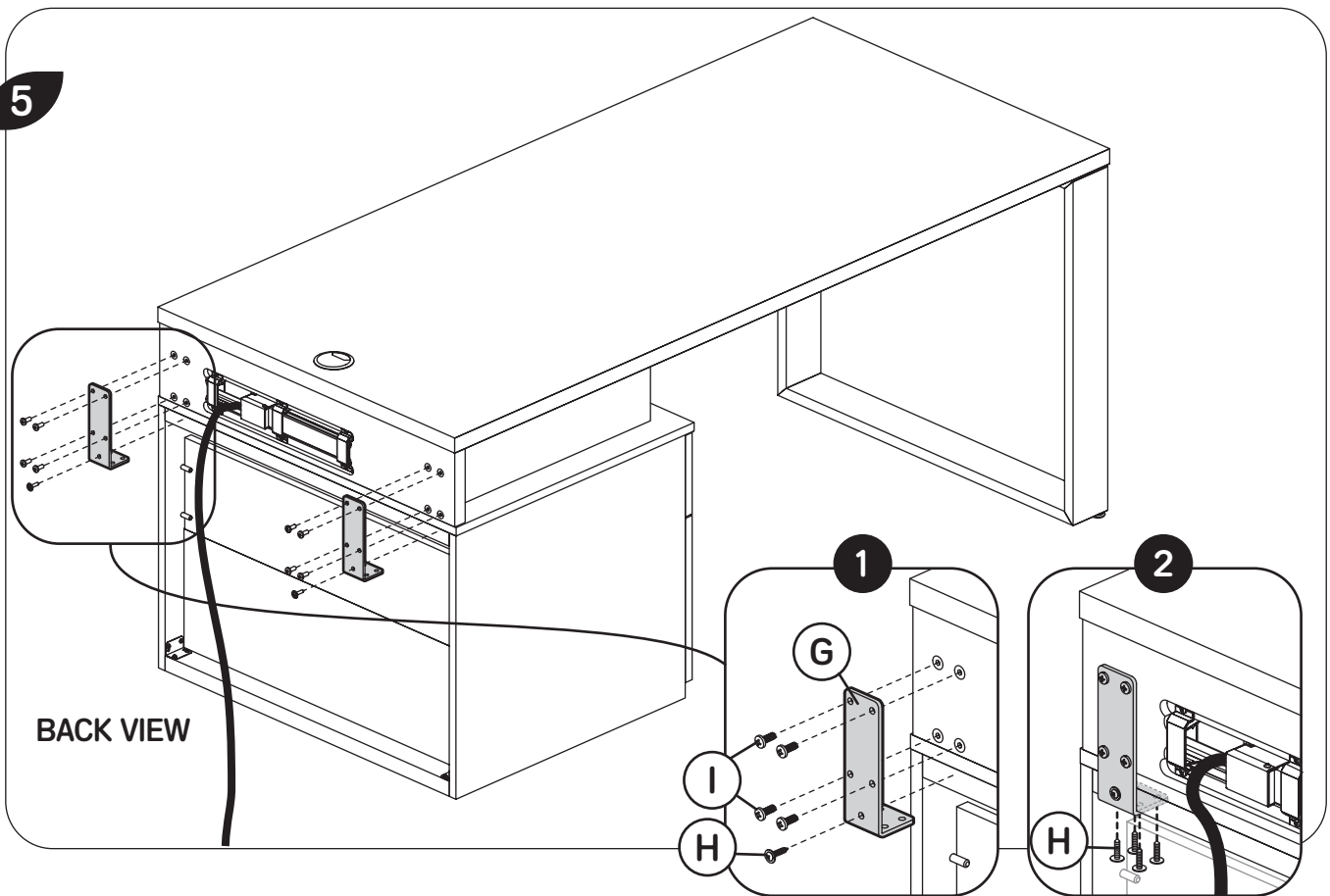
FRONT VIEW



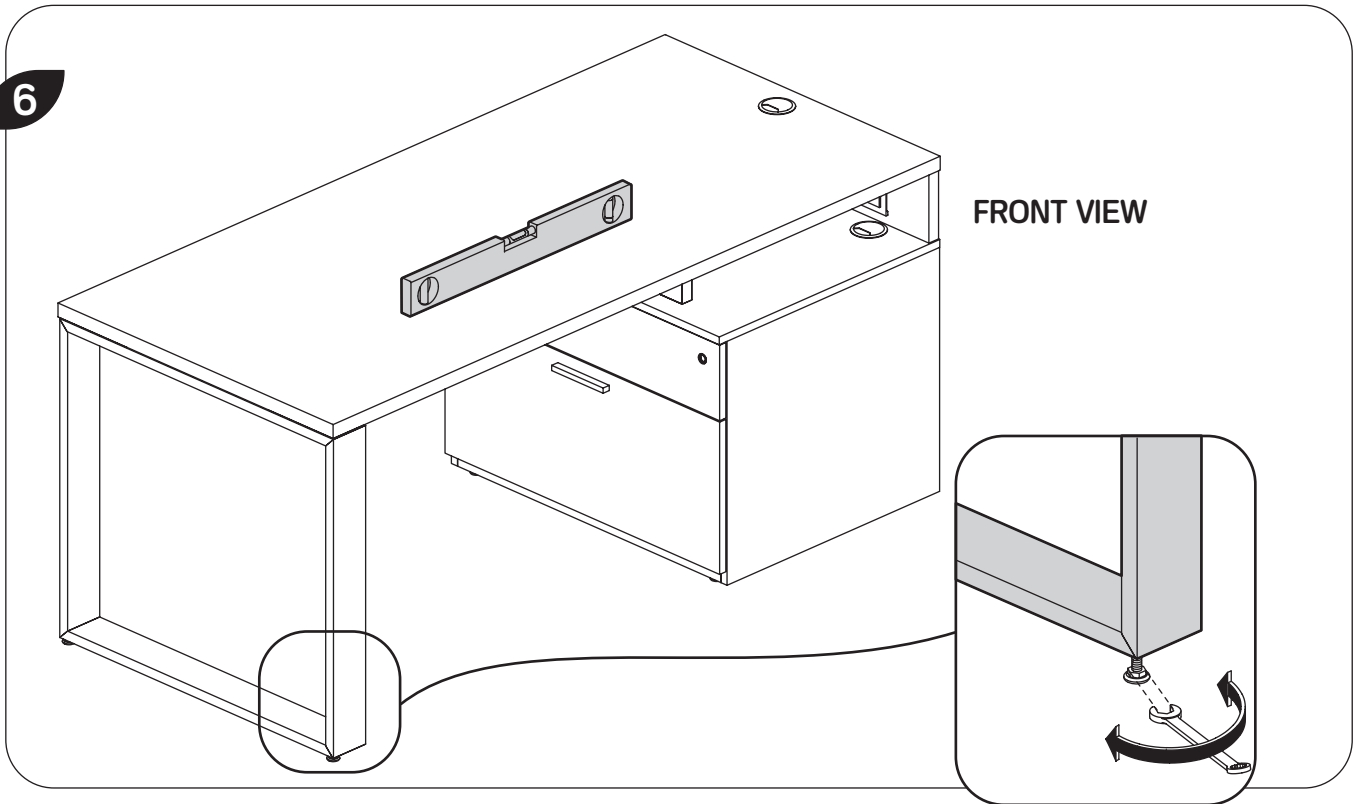




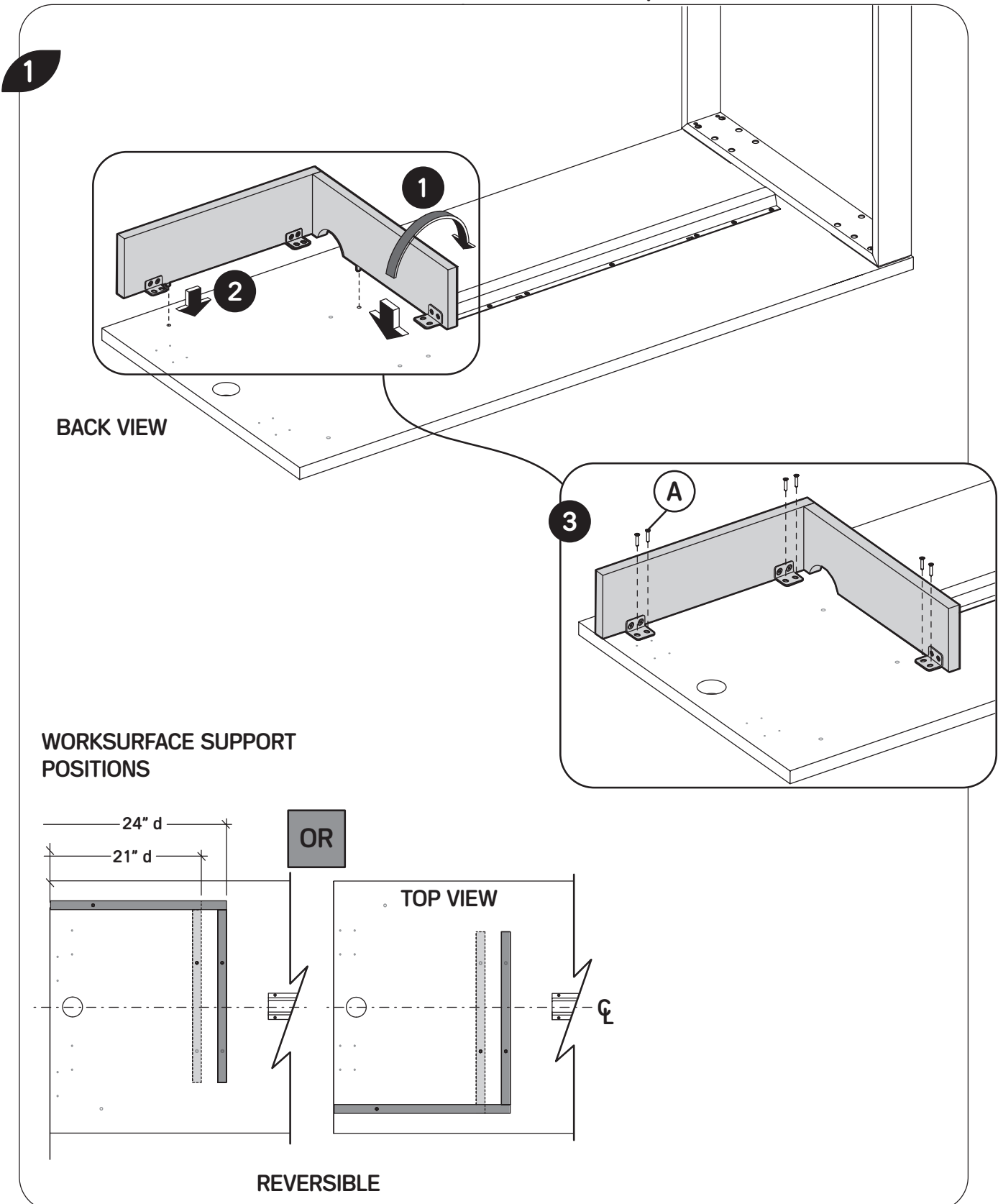
5

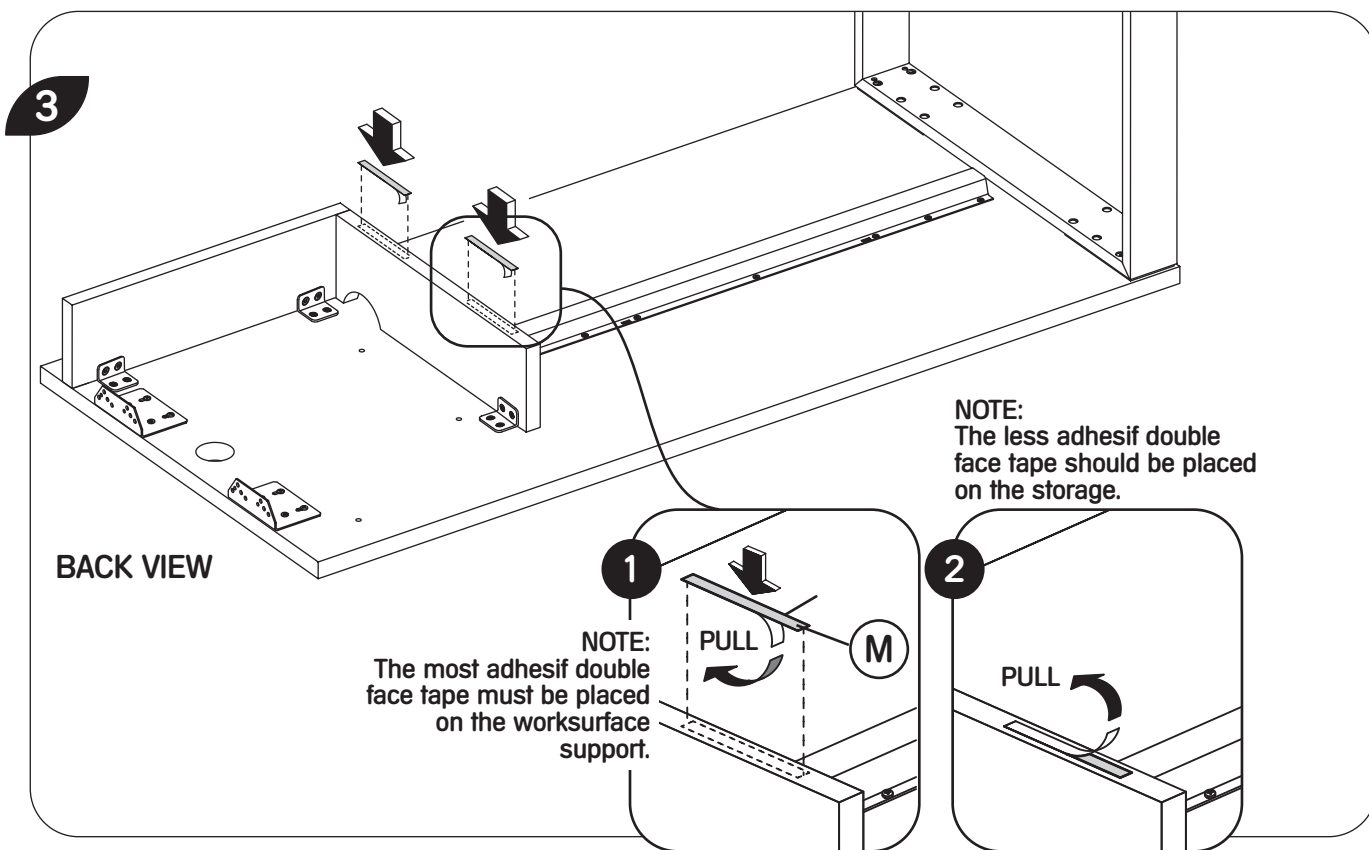
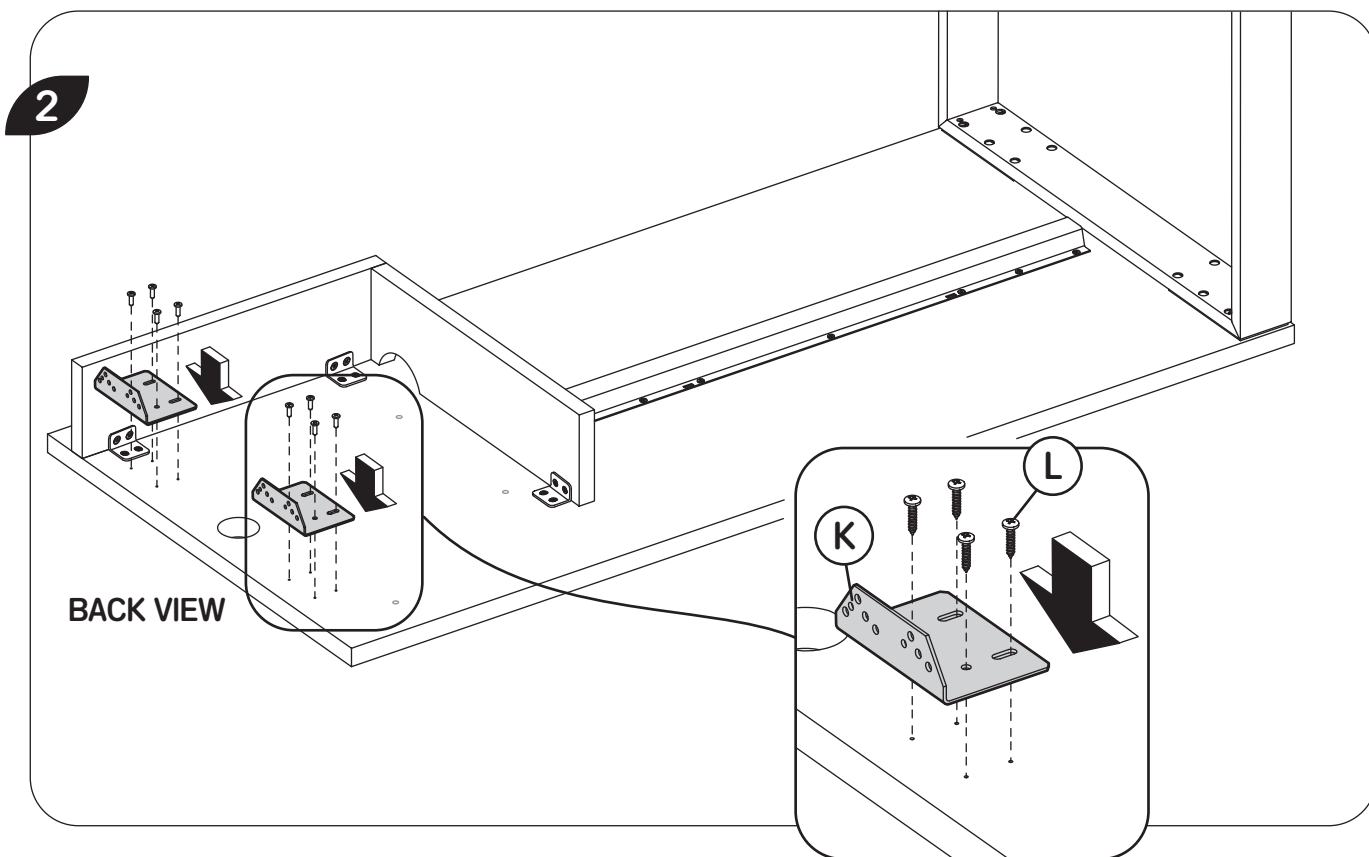


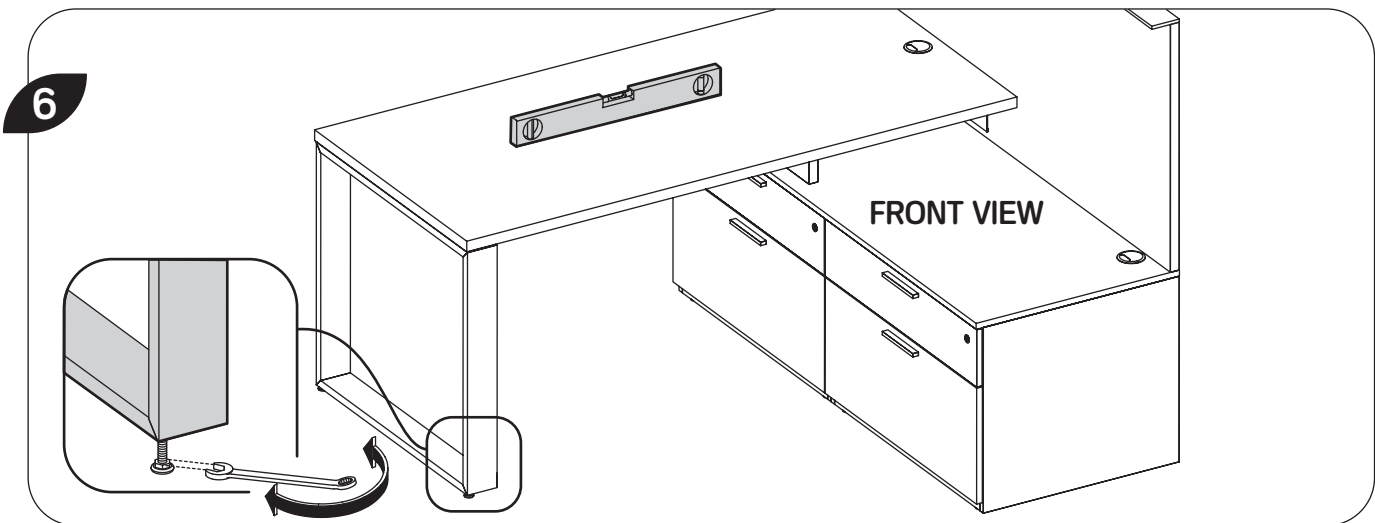
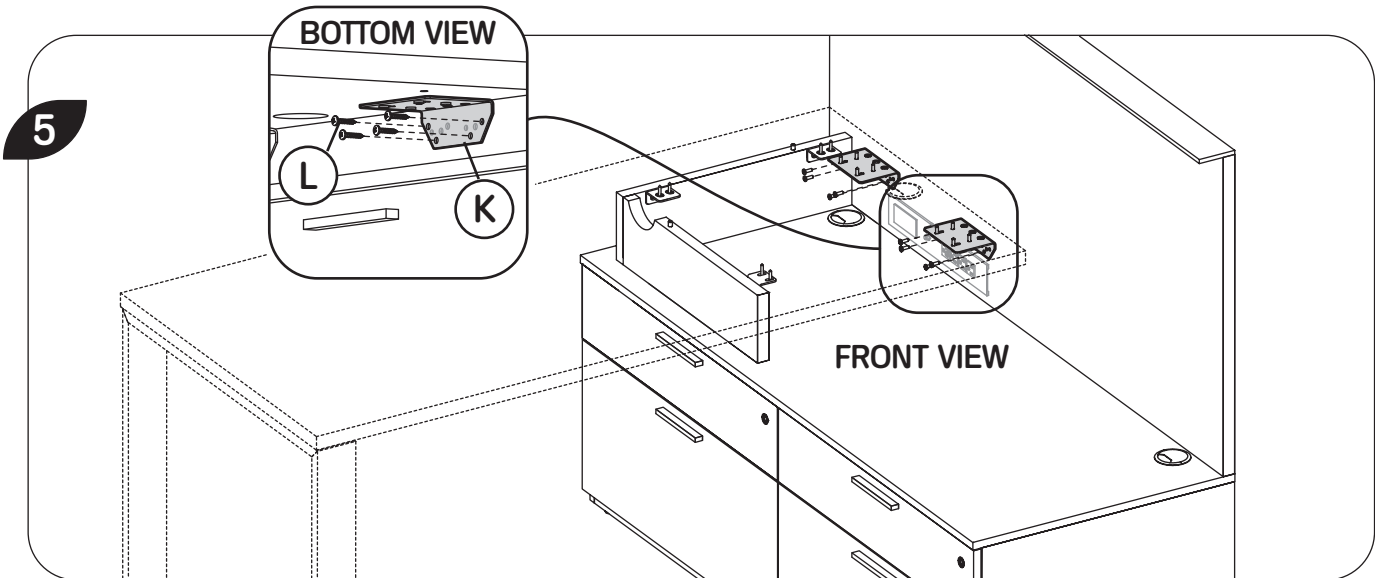
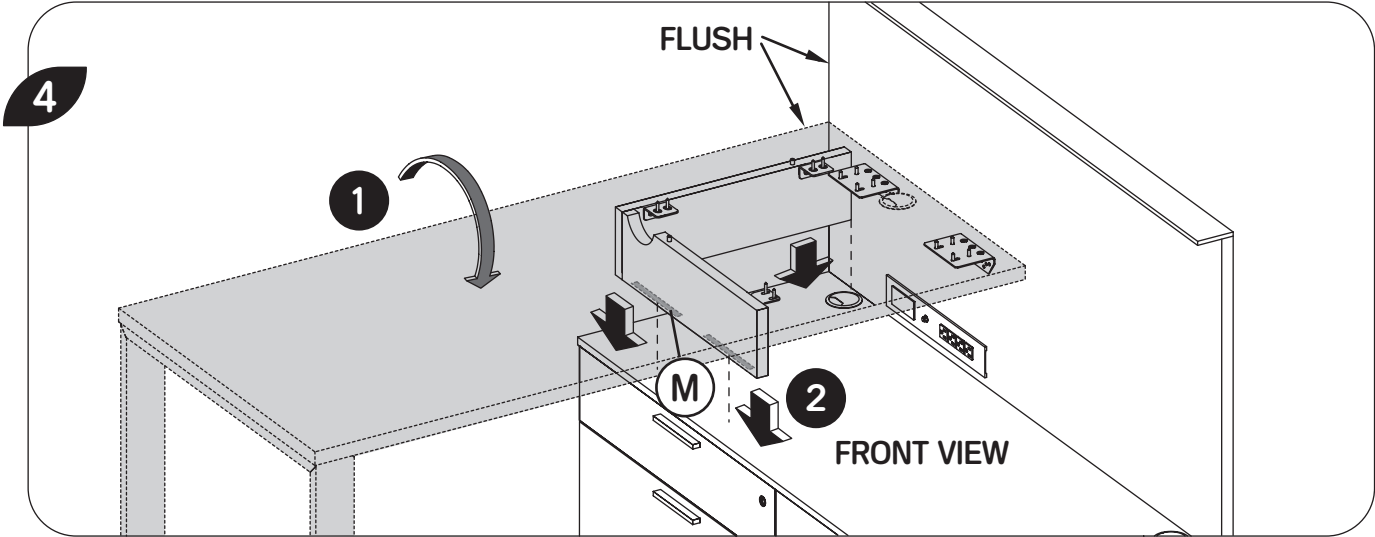
6



WORKSURFACE SUPPORT FOR CREDENZA UNIT INSTALLATION (WITHOUT END SUPPORT (Wall Panel required) (W))







ZECMA – Pencil Tray





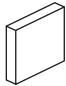
Product



ZECMA

TOOLS REQUIRED:
Cross or Square Drive #1

PENCIL TRAY - Part / Product Identification and What's Included

Ref.	Illustration	Description	Part No. / Prod. Code	Qty.	Kit No. / Assy. No.
A		16" deep Pencil Tray	A23-64172 +16D	1	X80-64145 +16D (for along depth position) or X80-64145 +wwW (for along width position)
	OR 	24" to 36" wide Pencil Tray	A23-64172 +wwW		
B		Pencil Tray Bracket	A15-64256	2	
C		#6 x 1/2" Quadrex Pan Washer Head, Wood Screw, Zinc	401206	4	
D		1" x 0,180" Clear Square Bumper Sticker (Use with 16" deep Pencil Tray only)	B02-50106	3	

ww = Width

Reference Installation Guides:

No. 1613 Expansion Wood "Stretch Pedestal for Credenza Unit – Box/File ZECMP"

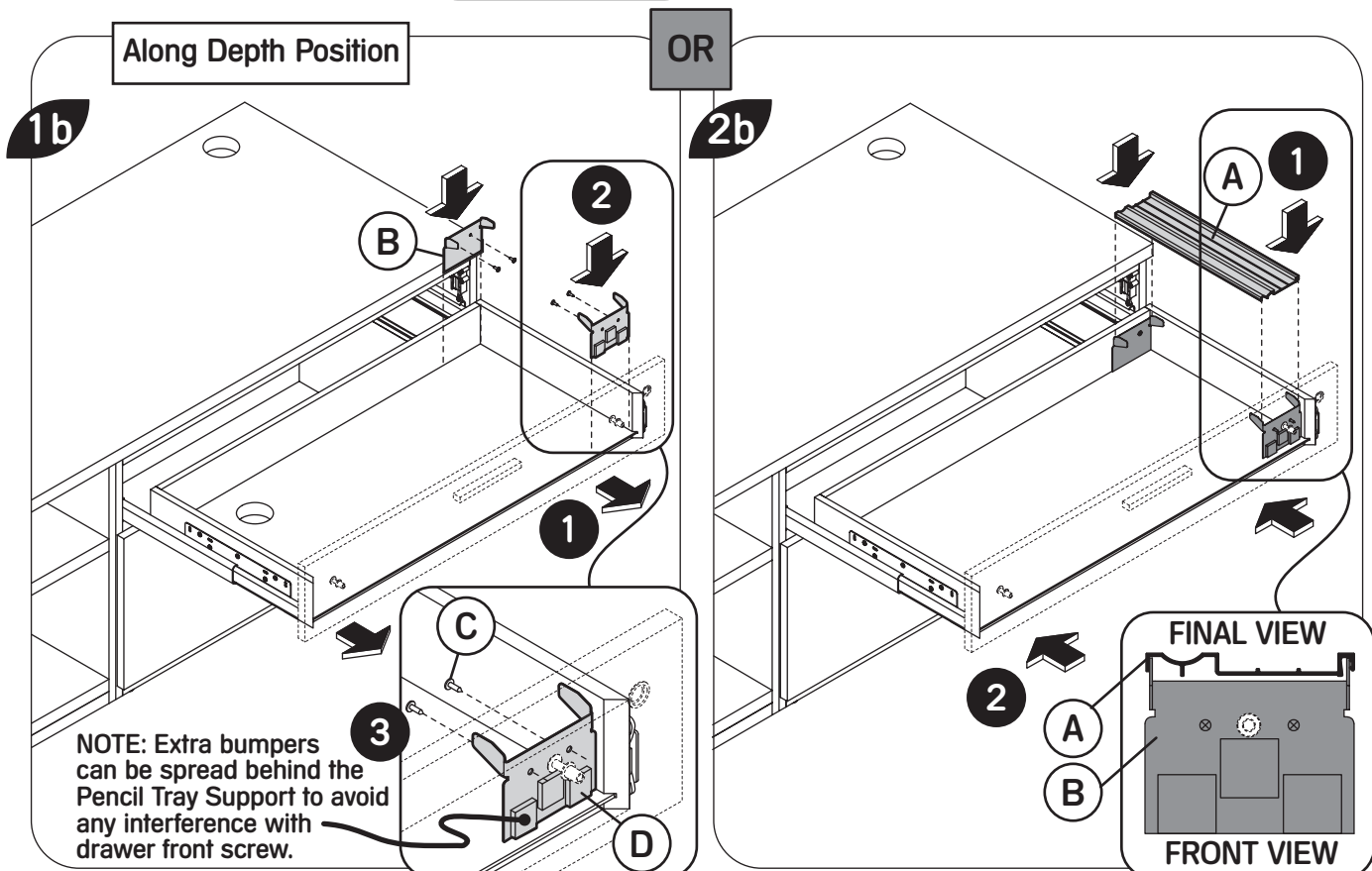
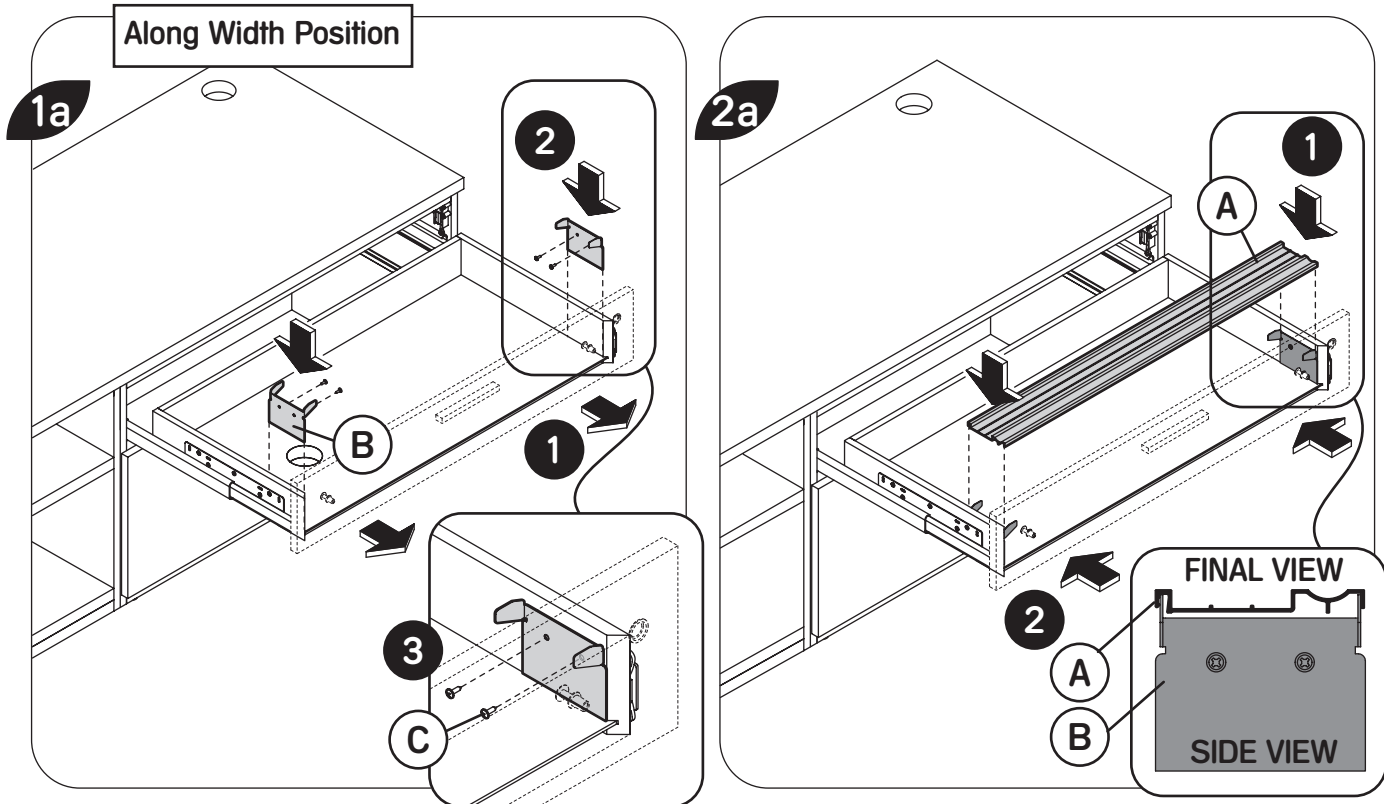
No. 2000 Expansion Casegoods "Stretch Pedestals for Secondary Desk BSMSP, BS_EP"

For additional information on this installation contact Teknion | Roy & Breton **Technical Support**.

Issue Date: 2013 May 27

(L04-64129_R00)

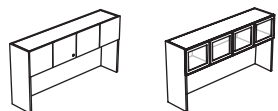
PENCIL TRAY INSTALLATION



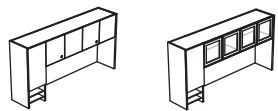
Section – **Mounted Storage & Accessories**

ZEHNS, ZEHNP, ZEHSS, ZEHSP, ZEHS, and ZEHP – Standard and Tower Hutches
 ZEHB – Tackboard – Hutch Mounted
 ZEHA – Tool Rail

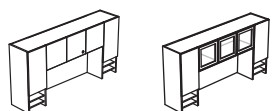
Product



ZEHNS ZEHNP



ZEHSS ZEHSP



ZEHS ZEHP



ZEHA ZEHB

TOOLS REQUIRED:

Square Drive #1, Cross or Square Drive #2, 5/8" Wrench, Measuring Tape, Pencil, and Level

ww = Width

STANDARD AND TOWER HUTCHES - Part / Product Identification and What's Included

Ref.	Illustration	Kit No. / Assembly No.		
		X80-74001	X80-74005	X80-74006
A	Standard Hutch with Hinged Doors ZEHN_	1		
	OR Single Tower Hutch with Doors ZEHS_		1	
	OR Double Tower Hutch with Doors ZEHD_			1
B	Corner Bracket A15-64031	2	2	2
C	Linking Plates A15-61233	2	2	2
D	#8 x 5/8" Recex Pan Head, Wood Screw, Black 402100	6	6	6
E	Metal Shelf Support D50-0132		14	26
F	3/4" Felt Round Bumper B04-61000	12	12	12

TACKBOARD – HUTCH MOUNTED - Part / Product Identification and What's Included

Ref.	Illustration	Description	Part No. / Prod. Code	Qty.	Kit No. / Assy. No.
G		Tackboard – Hutch Mounted	ZEHB	1	

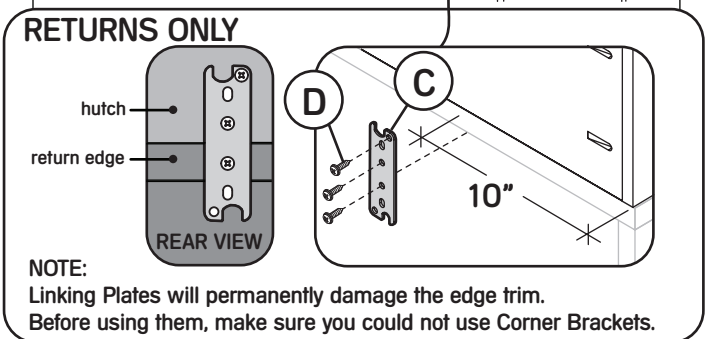
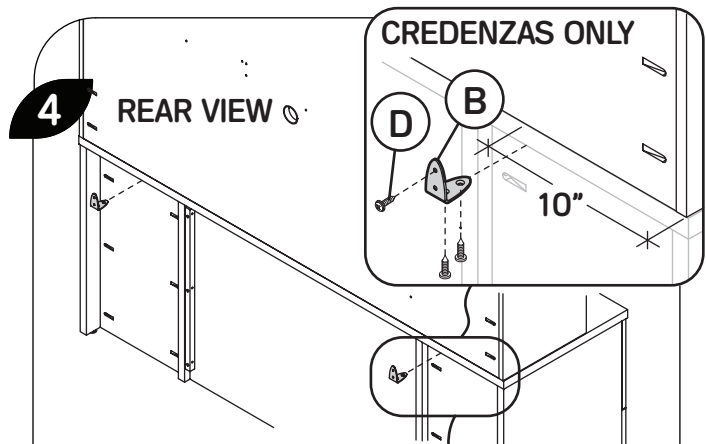
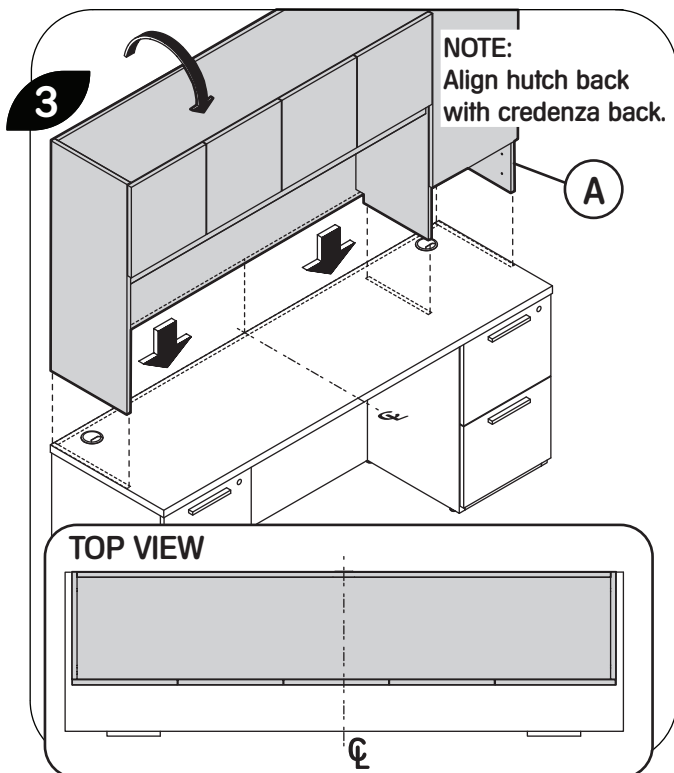
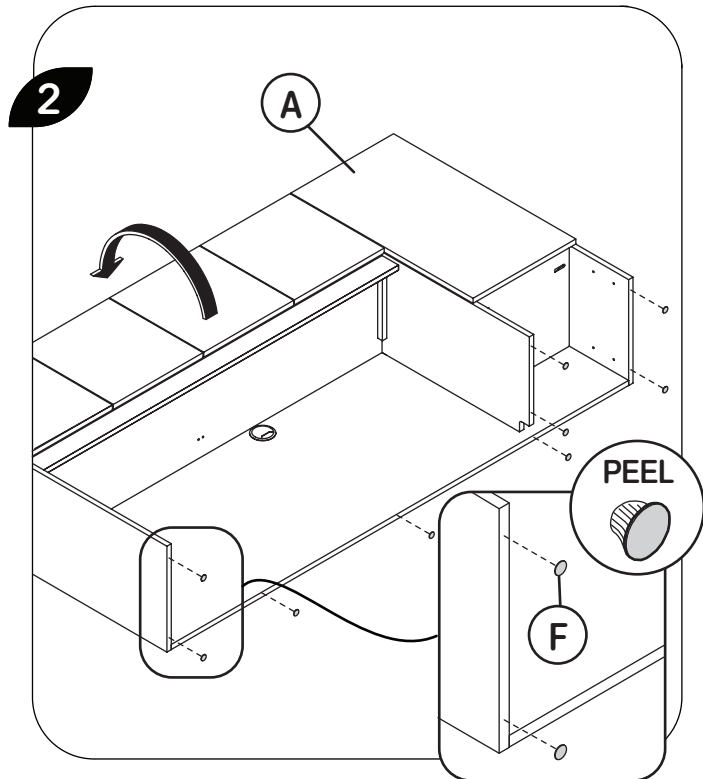
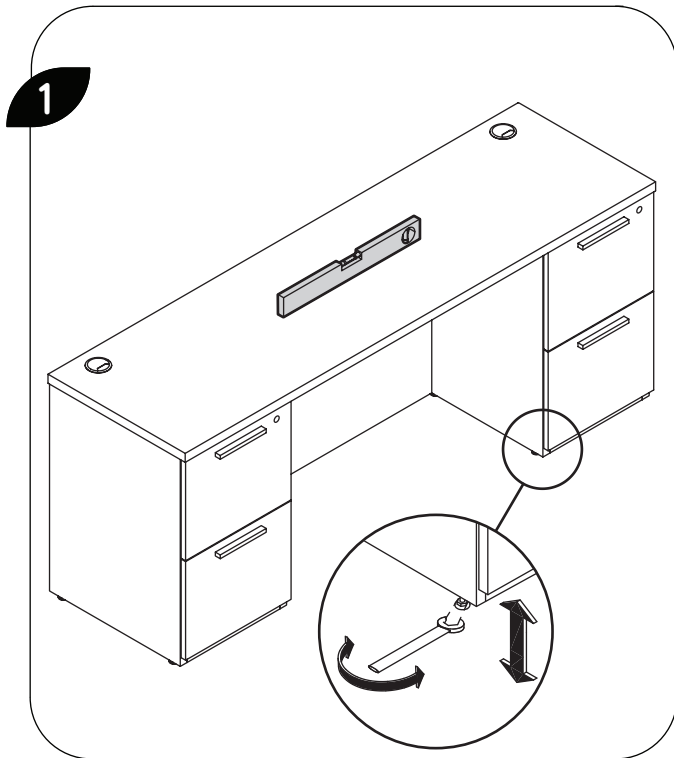
TOOL RAIL - Part / Product Identification and What's Included

Ref.	Illustration	Description	Part No. / Prod. Code	Qty.	Kit No. / Assy. No.
H		Tool Rail	A23-74030 +ww (ZEHAD) or A23-74028 +ww (ZEHAN) or A23-74029 +ww (ZEHAS)	1	
I		Tool Rail Bracket	N80-74128	2	X80-74011
J		#7 x 3/4" Square Flat Head, Wood Screw, Zinc	400316	4	

Section – **Mounted Storage & Accessories**

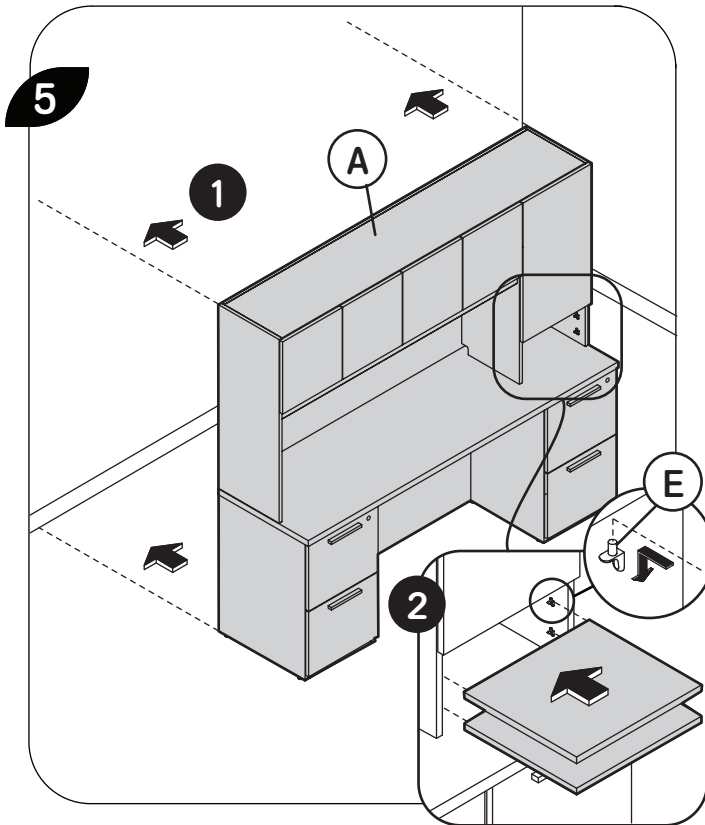
ZEHNS, ZEHNP, ZEHSS, ZEHSP, ZEHDS, and ZEHDP – Standard and Tower Hutchches
ZEHB – Tackboard – Hutch Mounted
ZEHA – Tool Rail

HUTCH INSTALLATION

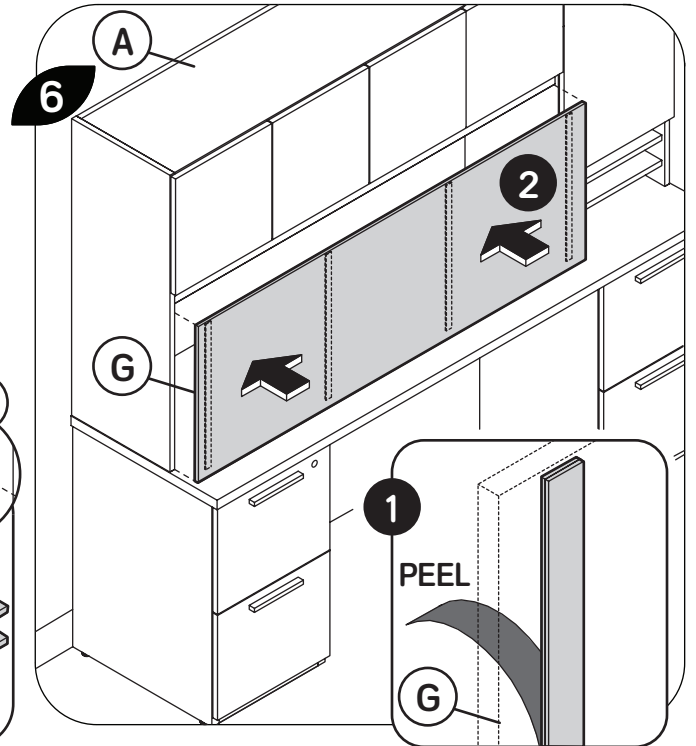


Section – **Mounted Storage & Accessories**

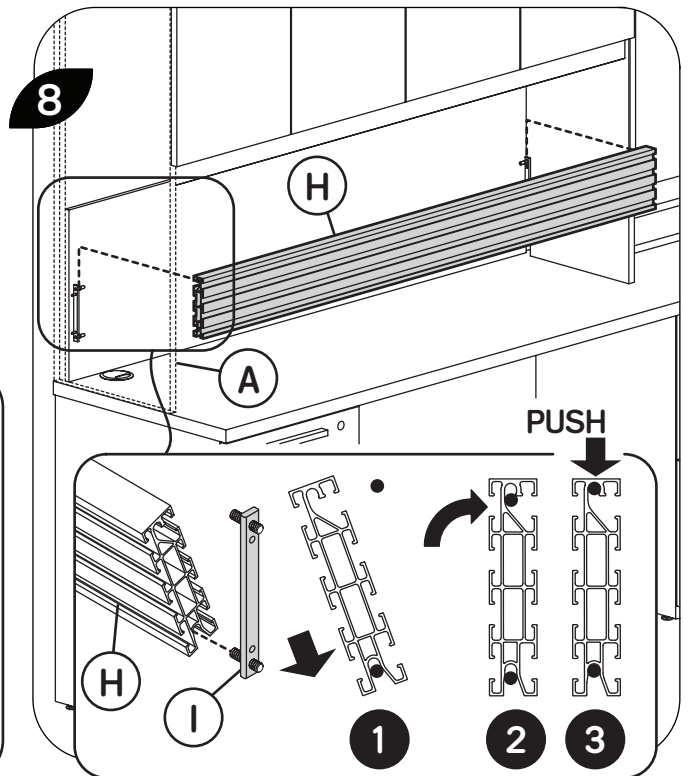
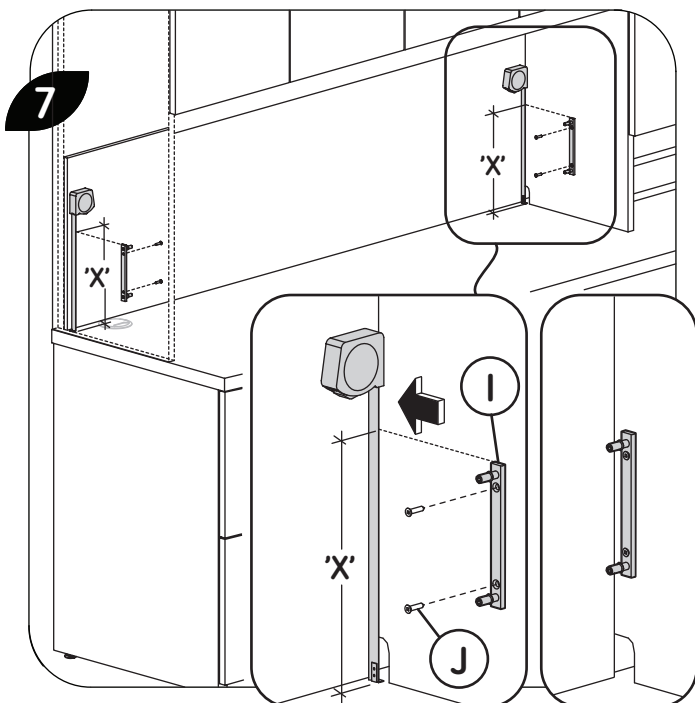
ZEHNS, ZEHNP, ZEHSS, ZEHSP, ZEHS, and ZEHDP – Standard and Tower Hutches
ZEHB – Tackboard – Hutch Mounted
ZEHA – Tool Rail



**TACKBOARD – HUTCH MOUNTED
INSTALLATION (IF APPLICABLE)**

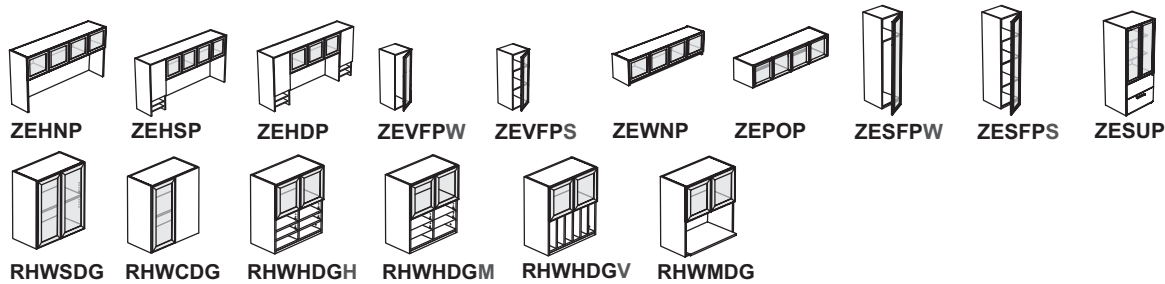


**TOOL RAIL INSTALLATION
(IF APPLICABLE)**

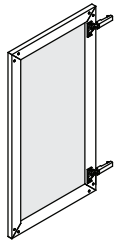


Expansion Wood: ZEHNP, ZEHSP, ZEHDP, ZEVFPW, ZEVFPS, ZEWNP, ZEPOP, ZESFPW, ZESFPS and ZESUP – Glass Doors
 Modular Cabinets: RHWSDG, RHWCDG, RHWHDGH, RHWHDGM, RHWHDGV, and RHWMDG – Glass Doors

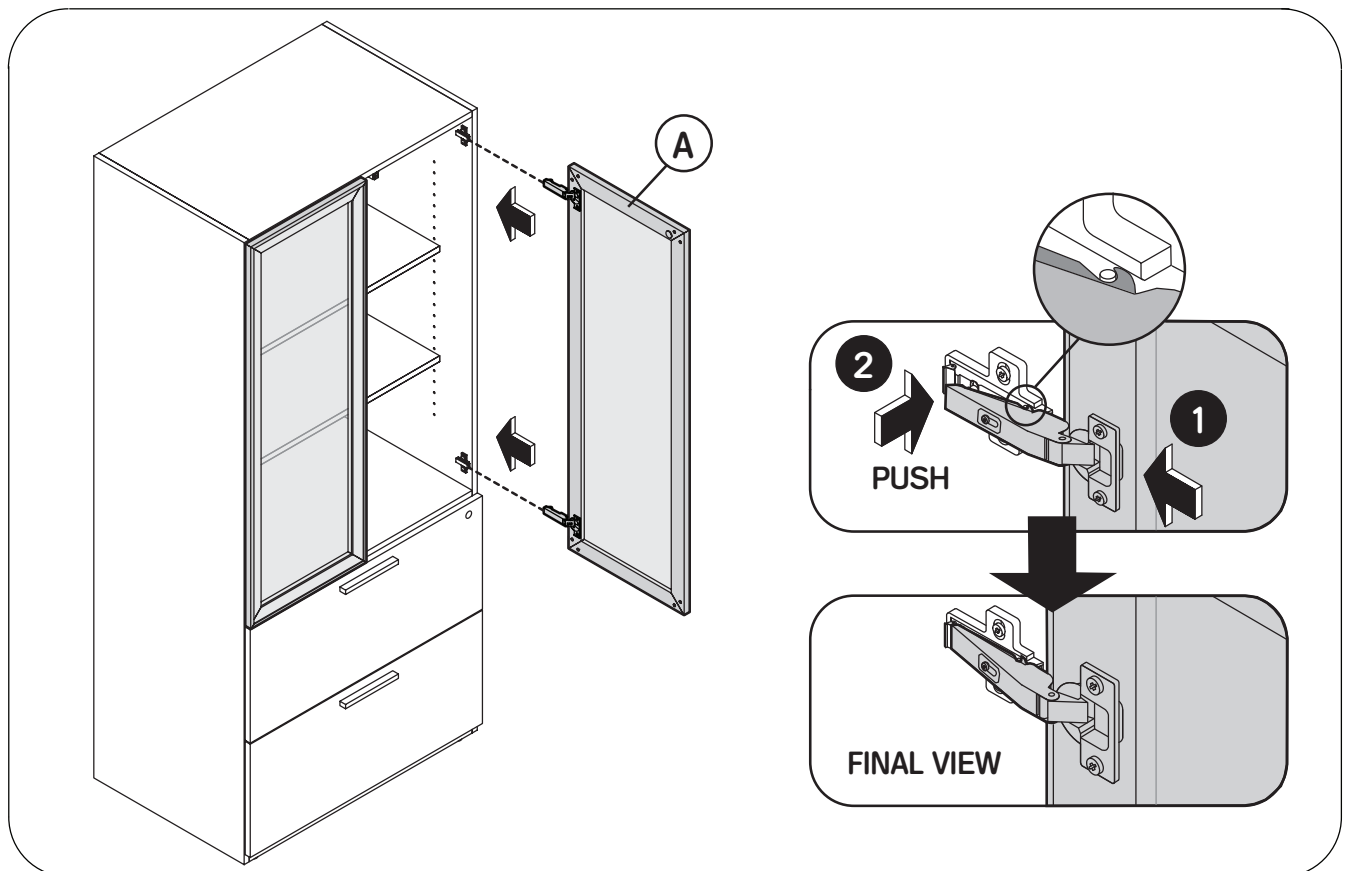
Product



GLASS DOORS - Part / Product Identification and What's Included

Ref.	Illustration	Description	Part No. / Prod. Code	Qty.
A		Glass Doors	N/A	As per Order

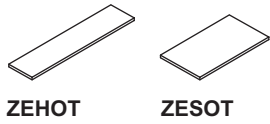
GLASS DOORS INSTALLATION



Section – **Mounted or Freestanding Storage & Accessories**

ZEHOT – Top for Mounted Storage
 ZESOT – Top for Wood Storage

Product



ZEHOT **ZESOT**

TOOLS REQUIRED:

Cross or Square Drive #2

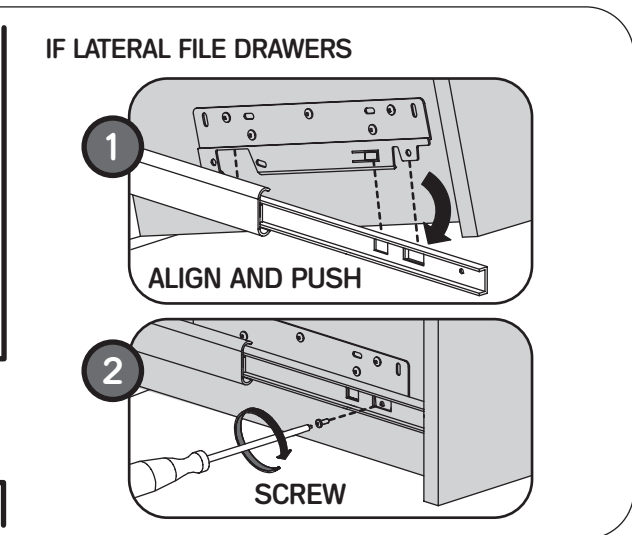
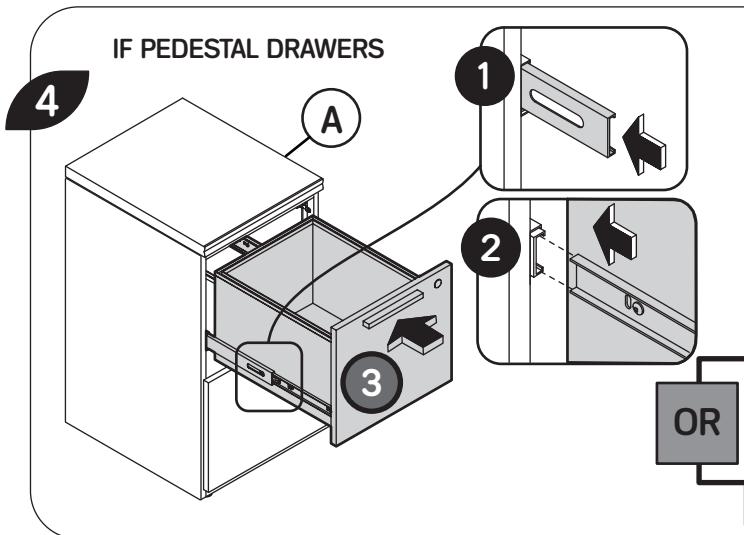
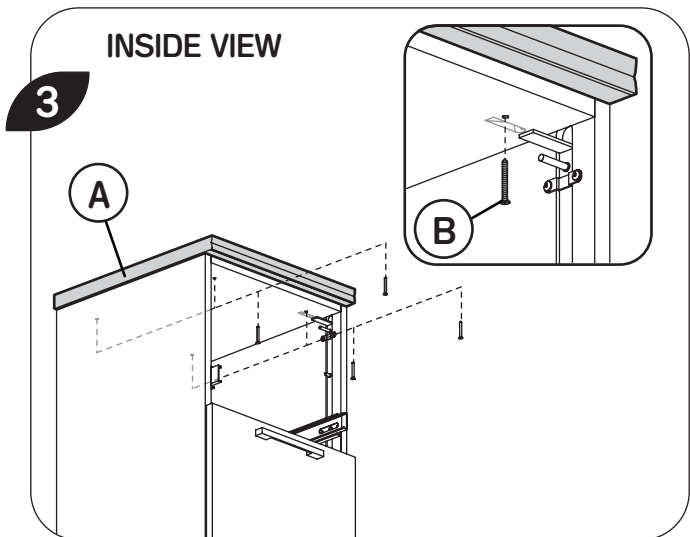
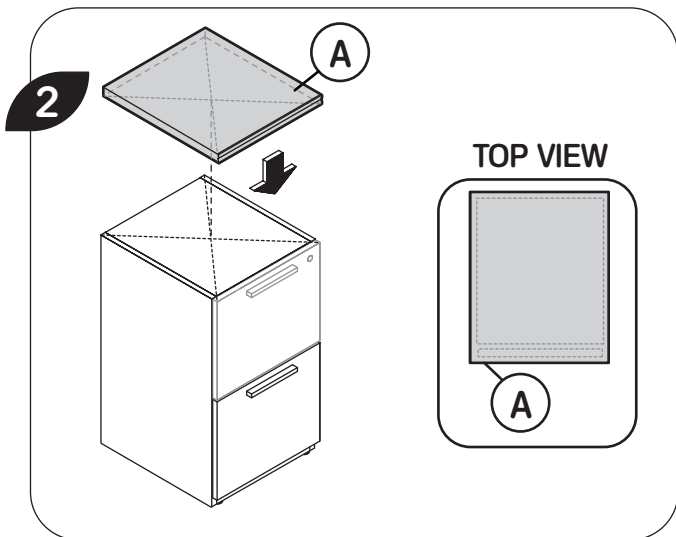
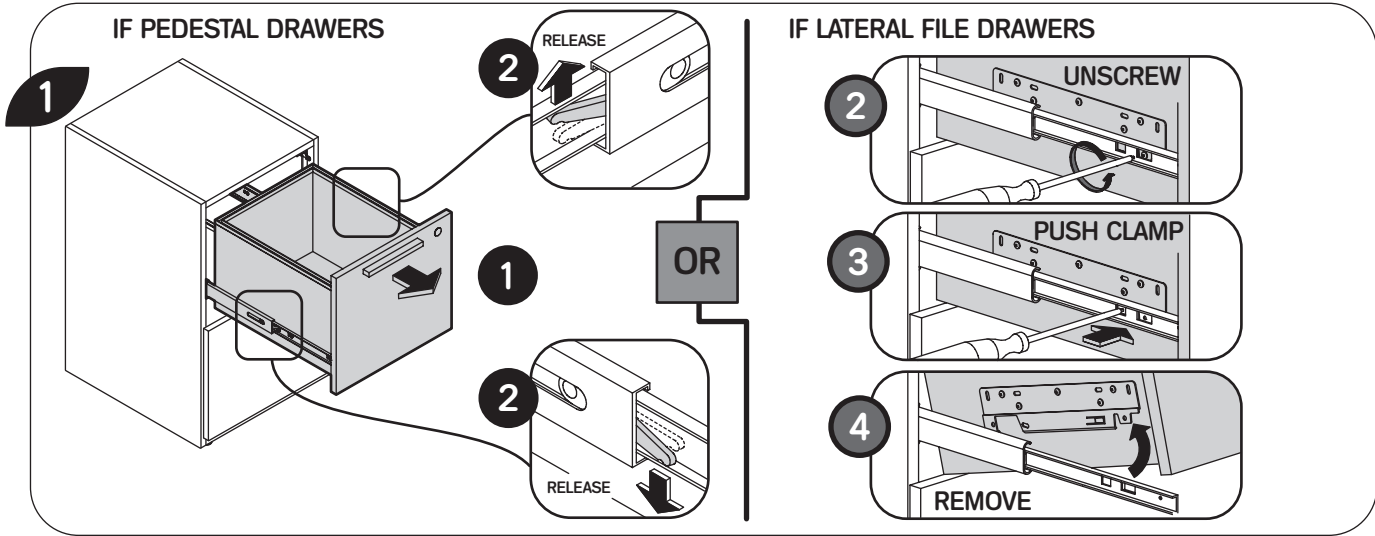
dd = Depth, **ww** = Width

TOP FOR MOUNTED OR WOOD STORAGE

- Part / Product Identification and What's Included

Ref.	Illustration	Description	Part No. / Prod. Code	Qty.	Kit No. / Assy. No.
A		Top for Mounted Storage	C80-74016 +15ww or C80-74032 +18ww	1	
		or Top for Wood Storage	C80-74032 +ddww		
B		#8 x 1 1/2" Quadrex Flat Head, Wood Screw, Zinc	E01-0028	6	X80-74002

TOP FOR MOUNTED OR WOOD STORAGE INSTALLATION



Expansion Casegoods

On Low Secondary Desk Mounted

- BCLL – Cubic Tower with Solid Doors
- BCLG – Cubic Tower with Glass Doors
- BCLX – Cubic Tower with Solid and Glass Doors
- BCLOO – Cubic Open Tower
- BRLL – Tower with Full Solid Door
- BRLG – Tower with Full Glass Door
- BRLO – Open Tower

On High Secondary Desk Mounted

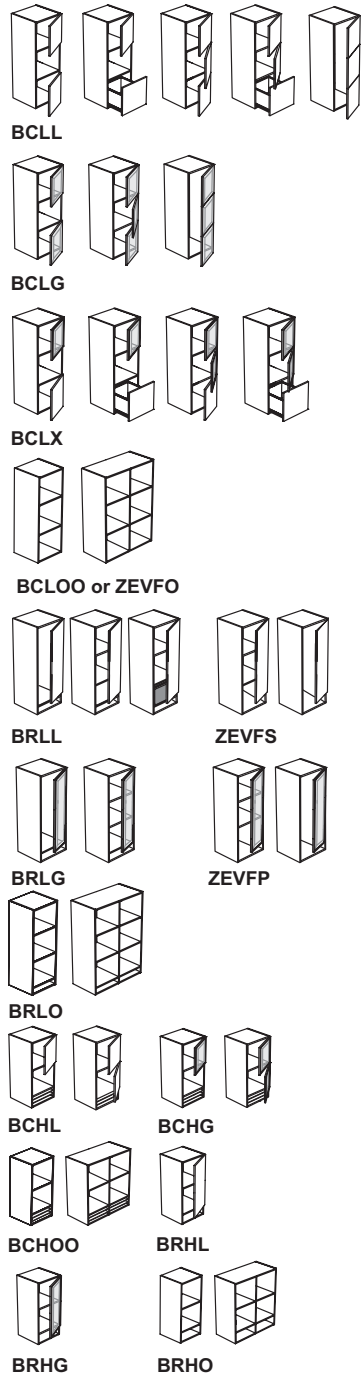
- BCHL – Cubic Tower with Solid Doors
- BCHG – Cubic Tower with Glass Doors
- BCHOO – Cubic Open Tower
- BRHL – Tower with Full Solid Door
- BRHG – Tower with Full Glass Door
- BRHO – Open Tower

Expansion Wood

On Low Secondary Desk Mounted

- ZEVFS – Mounted Tower – Full Wood Door
- ZEVFP – Mounted Tower – Full Glass Door
- ZEVFO – Mounted Tower – Open

Product



Mounted Towers - Part / Product Identification and What's Included

Ref.	Illustration	Description	Part No. / Prod. Code	Qty.	Kit No. / Assy. No.
A		Mounted Tower	As per Order	1	
B		1/4" – 20 x 30 mm Joint Connector Bolt Chrome	415108	1	
C		1/4" – 20 x 17 mm Joint Connector Nut Chrome	415109	1	2x X80-64018
D		Ø 10 mm Plug Button, Zinc	E03-51016	4	
E		1" x 0.180 Clear Bumper	B02-50106	4	
F	OR	Metal Shelf Supports (Available for Expansion Wood)	D50-0132	As per Order	As per Order
		Shelf Supports (Available for Expansion Casegoods)	501556		
G		Lockable Shelf Support	D02-50055	4	1X (18" w) or 2X (36" w) X80-50024 (Not applicable with ZEVFO, ZEVFS, ZEVFP)
H		#8 x 1/2" Quadrex Flat Head W. Screw, Zinc	E04-50044	4	

Hardware included with Wall Panel (B_WPA or ZEPA) - Part / Product Identification

Ref.	Illustration	Description	Part No. / Prod. Code	Qty.	Kit No. / Assy. No.
I		Wall Panel Storage Support	A15-64182	2	X80-64124
J		#8 x 5/8" Recex Pan Head W. Screw, Black	402100	4	

TOOLS REQUIRED:
 3/16" Hexagonal Key, Measuring Tape, Mallet, Cross or Square Drive #2, Power Driver, and Ø3/8" Drill Bit and smaller drill bit for alignment hole

Reference Installation Guides:

- No. 2001 Multi-Level Workstations " Wall Panel for Overhead Cabinet B_WPO, ZEPOW, all Expansion Casegoods Overhead Cabinets, and Mounted Overhead Cabinets ZEPOS, ZEPOP "
- No. 2002 Multi-Level Workstations " Wall Panel B_WPA, ZEPA "
- No. 2010 Freestanding Storage & Accessories " All Expansion Casegoods & Expansion Wood Freestanding Towers "
- No. 2026 Multi-Level Workstations " Secondary Desks B_MSD, B_ASH "

For additional information on this installation contact Teknion | Roy & Breton **Technical Support**.

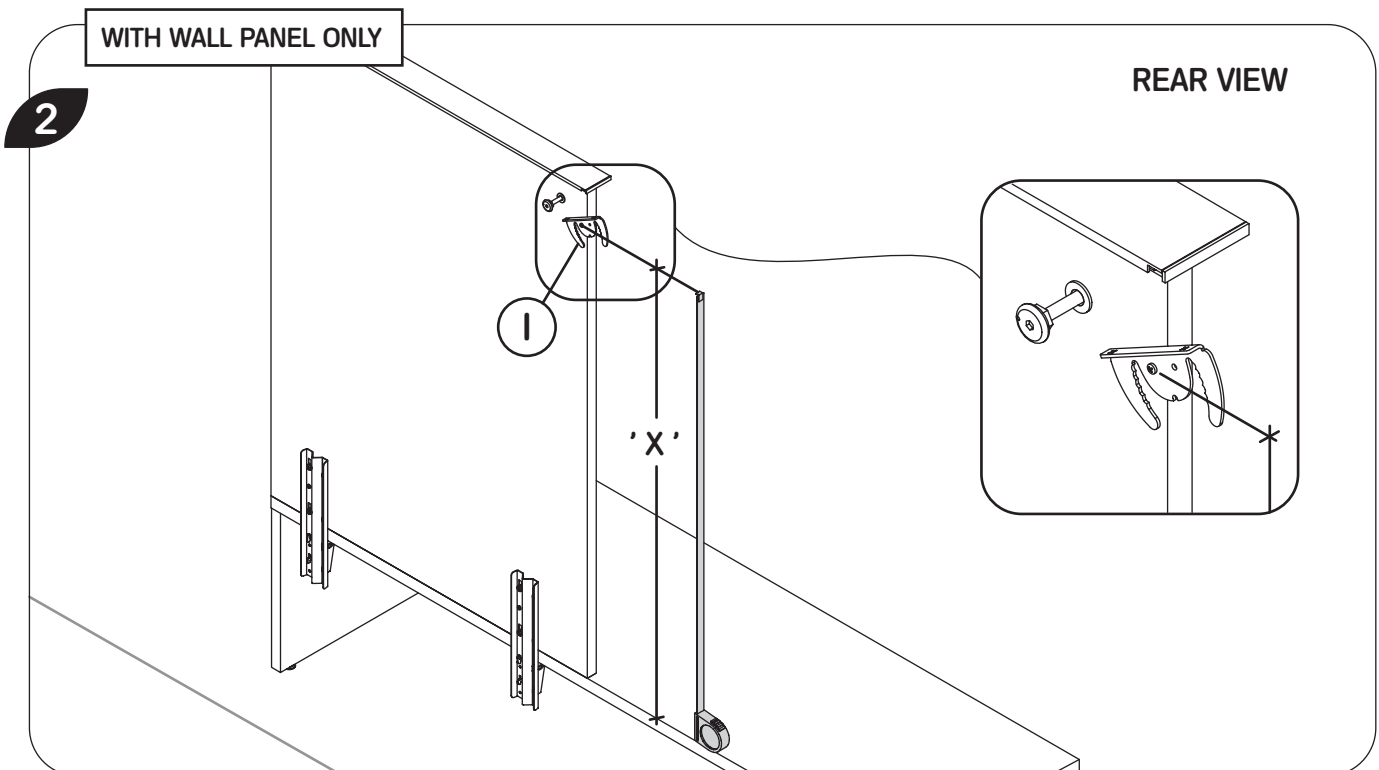
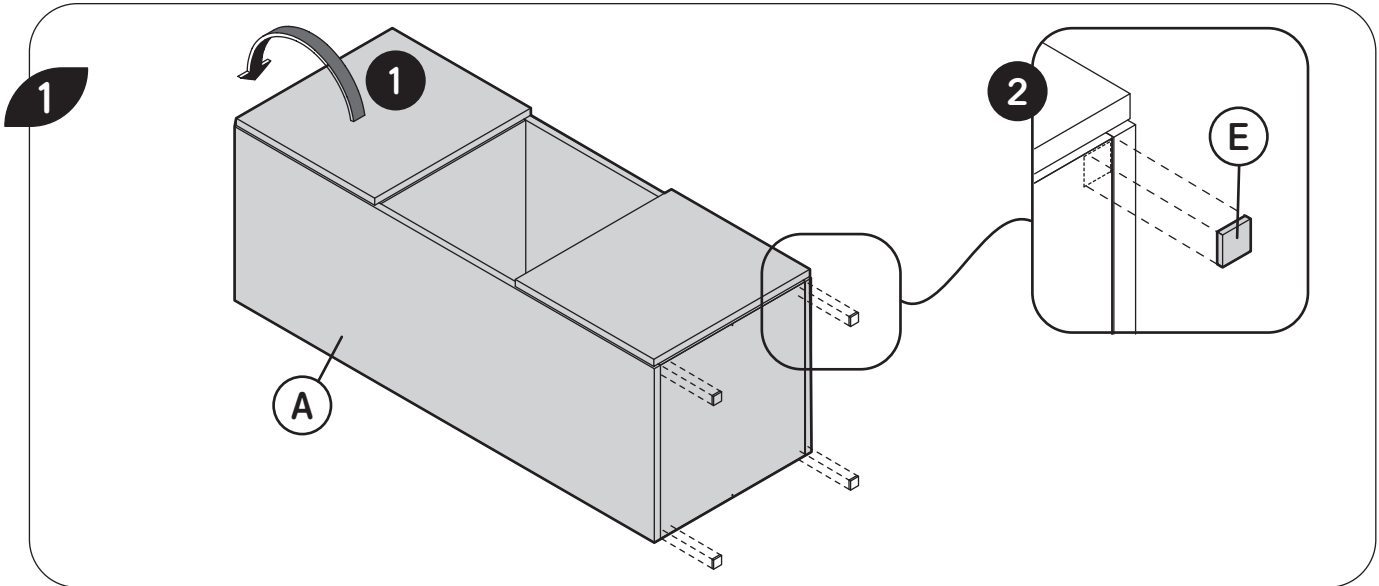
Issue Date: 2015 September 28

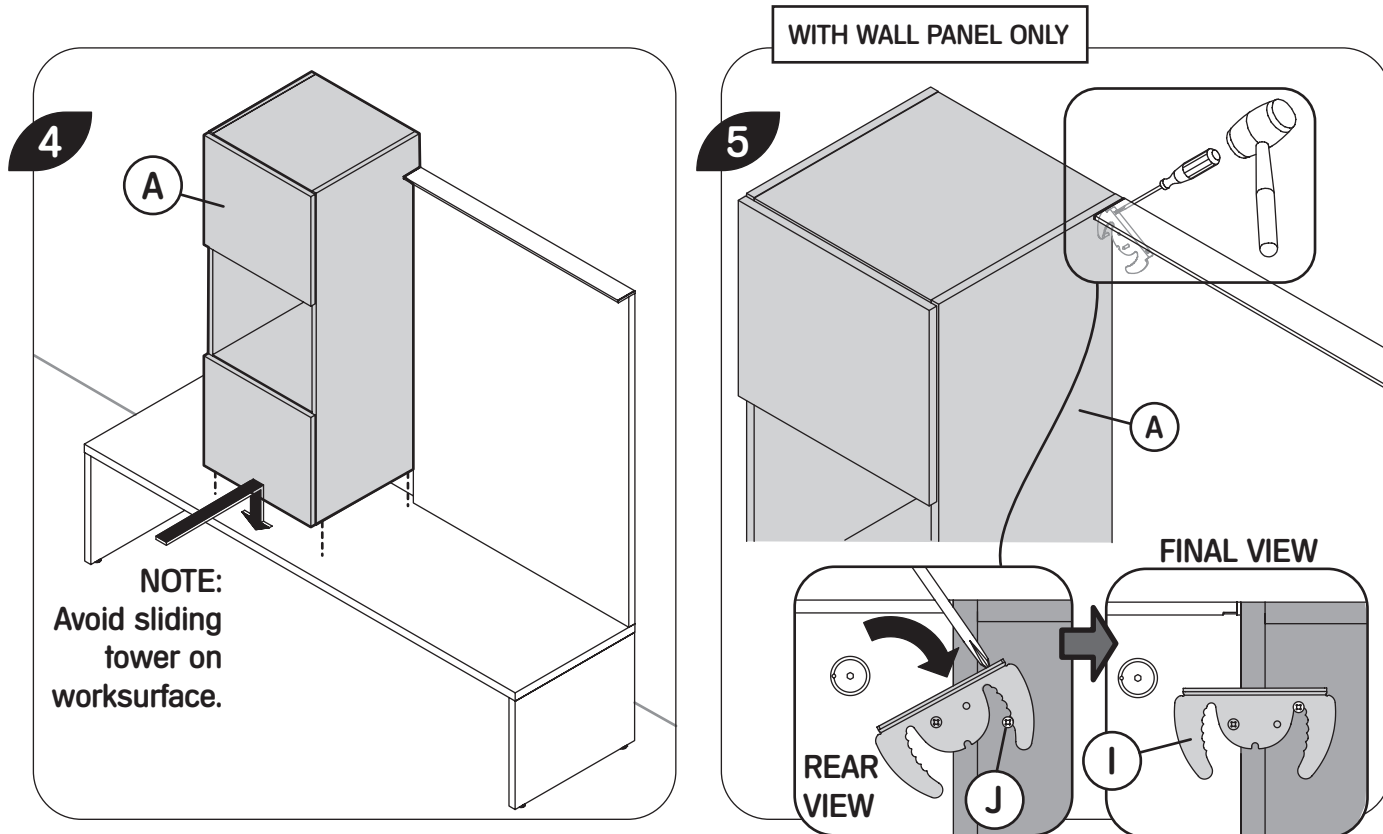
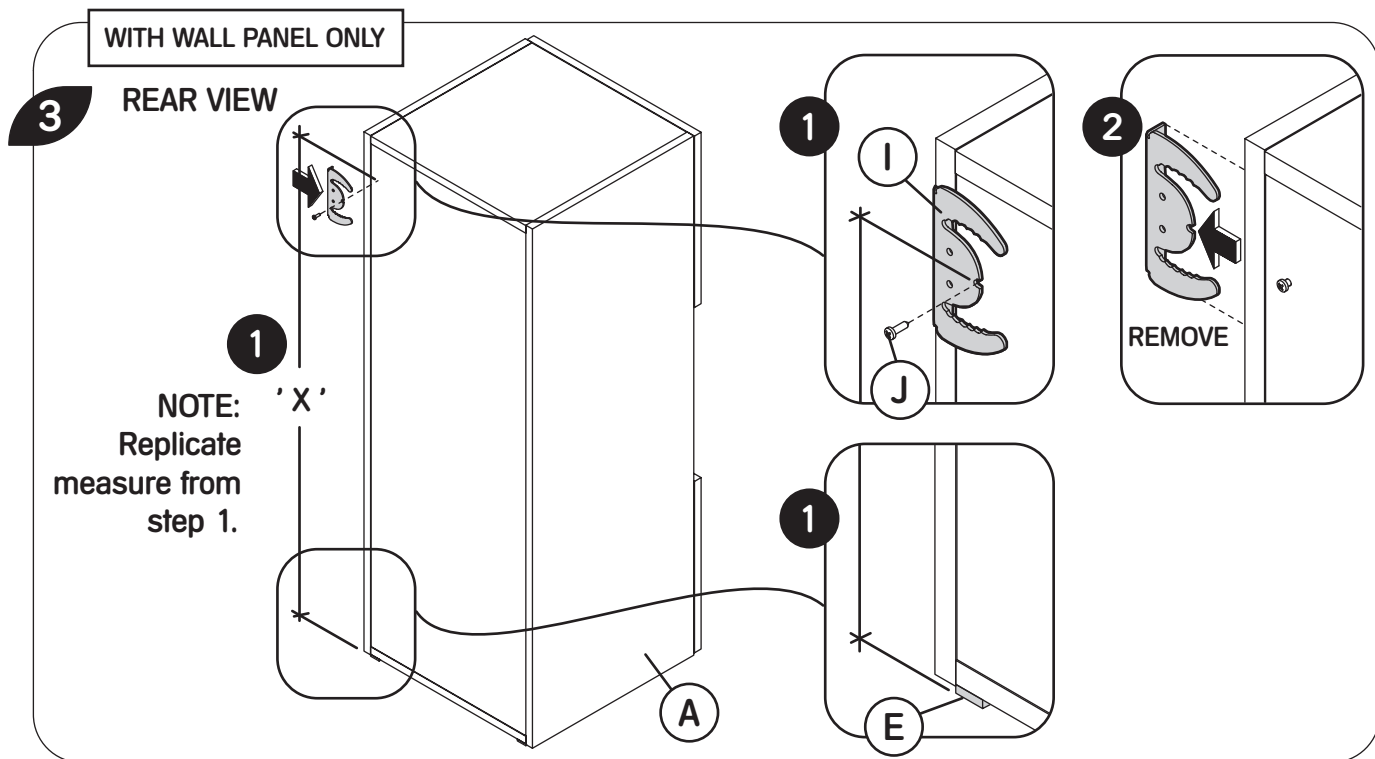
(L04-64113_R05)

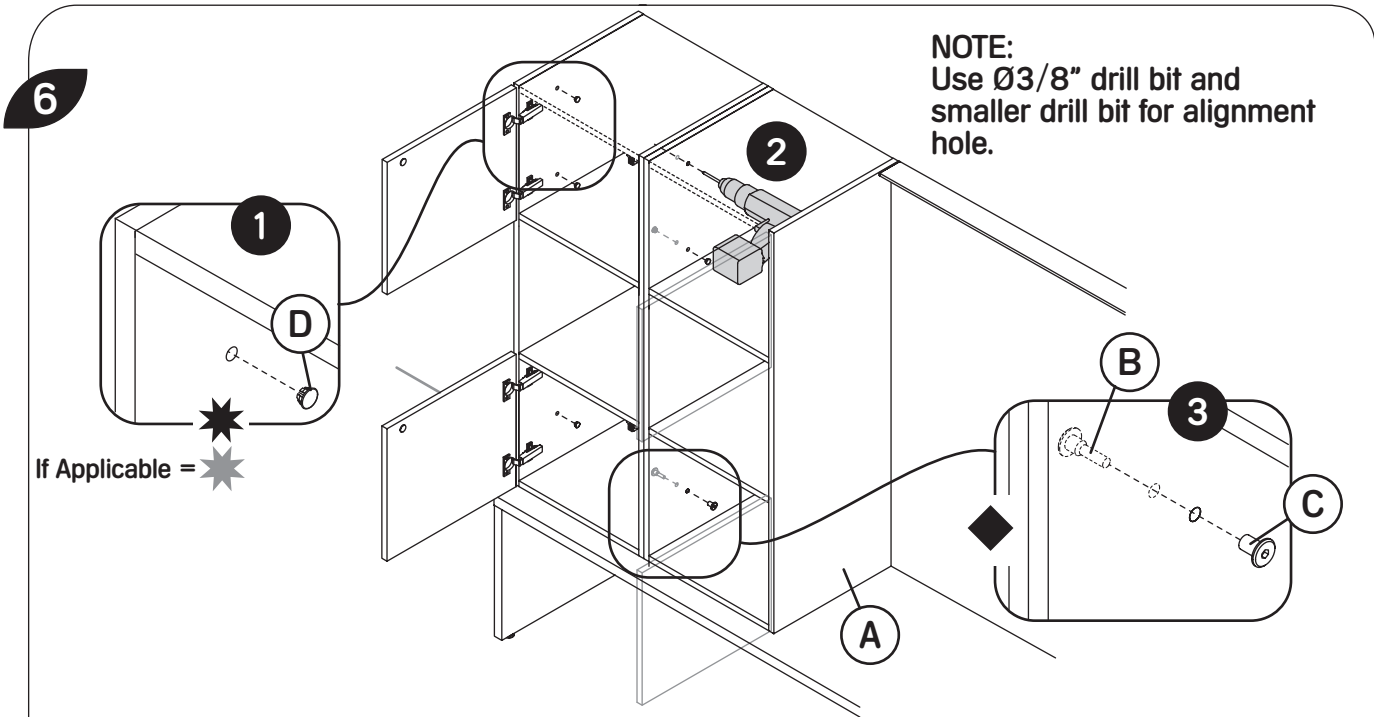
MOUNTED TOWERS INSTALLATION

NOTE:

For more details on Wall Panel Installation, refer to guide # 2001/L04-64122 for Wall Panels for Overhead cabinet or to guide # 2002/L04-64121 for Wall Panels.

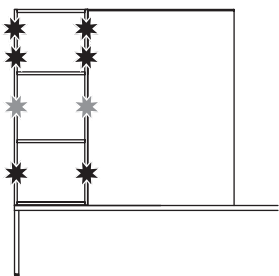




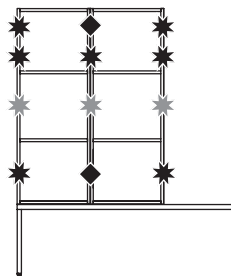


Hardware Positions

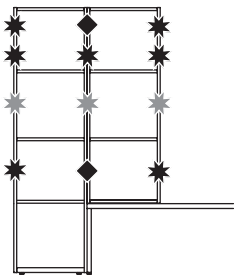
Expansion Casegoods



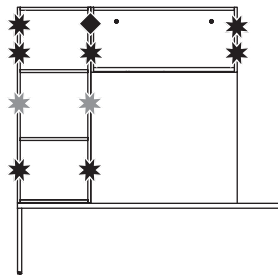
Connected directly to a Wall Panel



Connected to another mounted tower

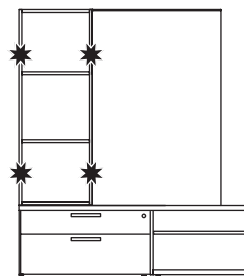


Connected to a freestanding tower

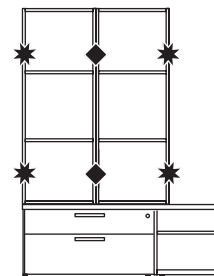


Connected to a overhead cabinet

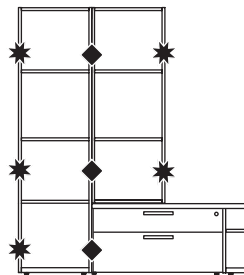
Expansion Wood



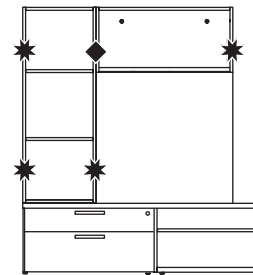
Connected directly to a Wall Panel



Connected to another mounted tower

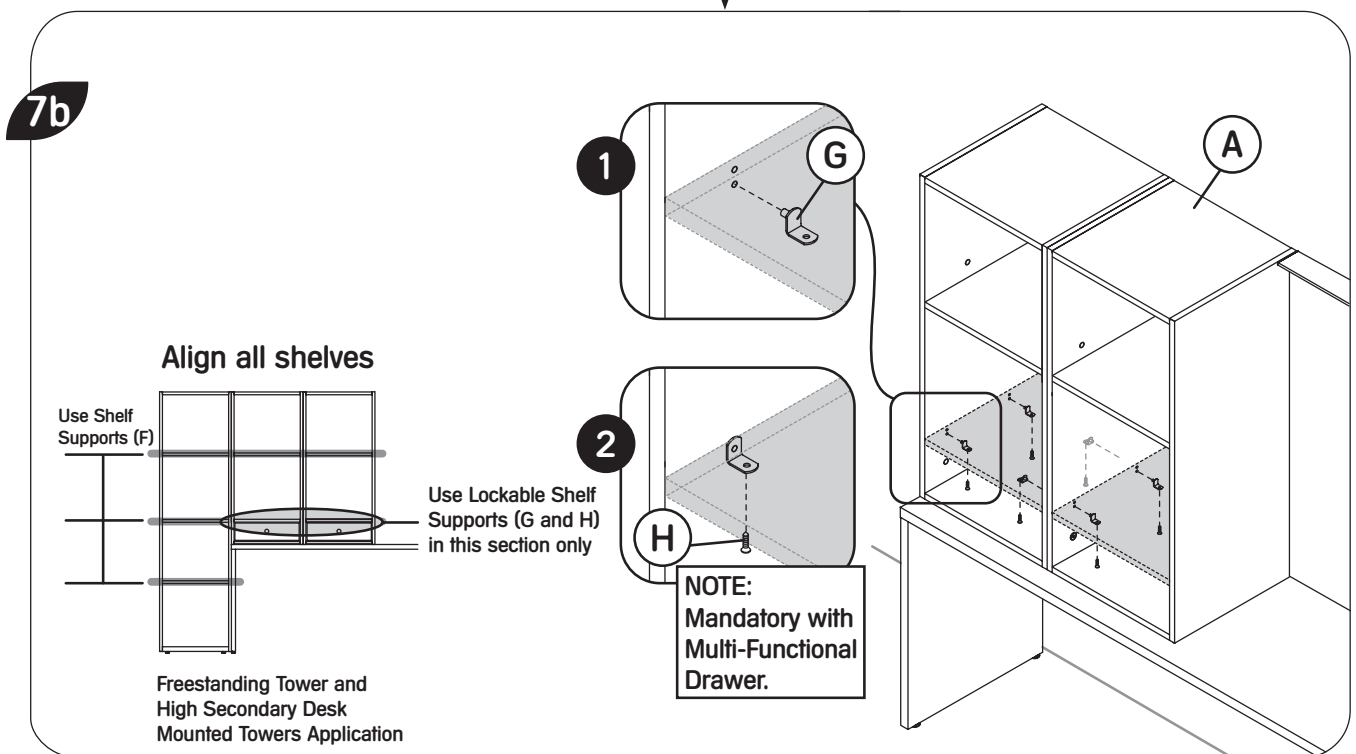
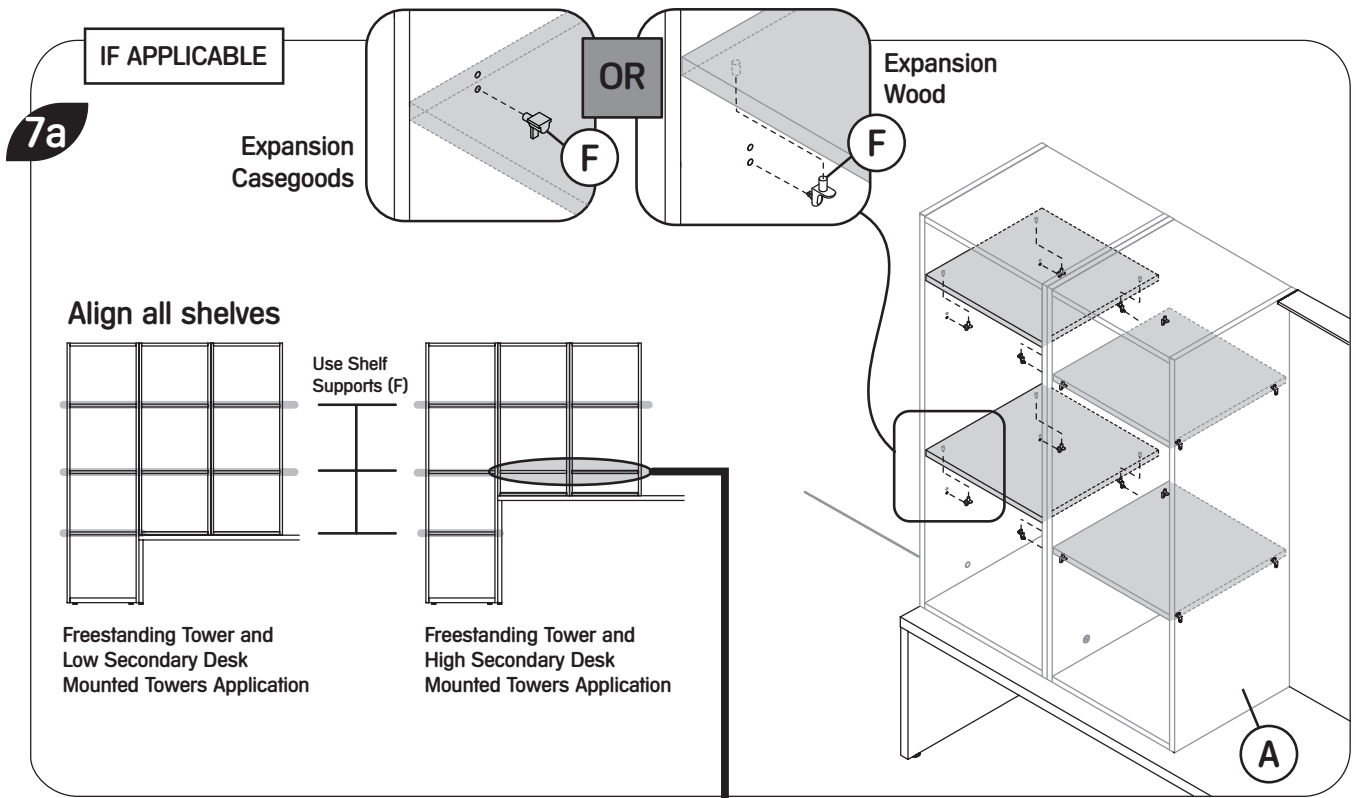


Connected to a freestanding tower



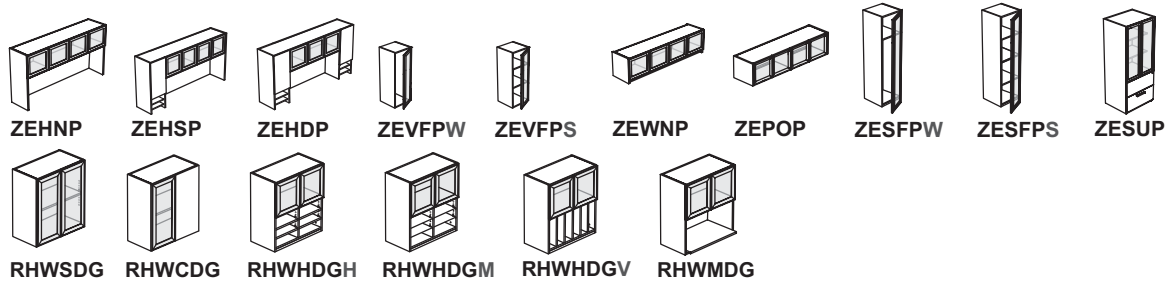
Connected to a overhead cabinet

OR

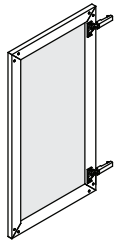


Expansion Wood: ZEHNP, ZEHSP, ZEHDP, ZEVFPW, ZEVFPS, ZEWNP, ZEPOP, ZESFPW, ZESFPS and ZESUP – Glass Doors
 Modular Cabinets: RHWSGD, RHWCDG, RHWHDGH, RHWHDGM, RHWHDGV, and RHWMDG – Glass Doors

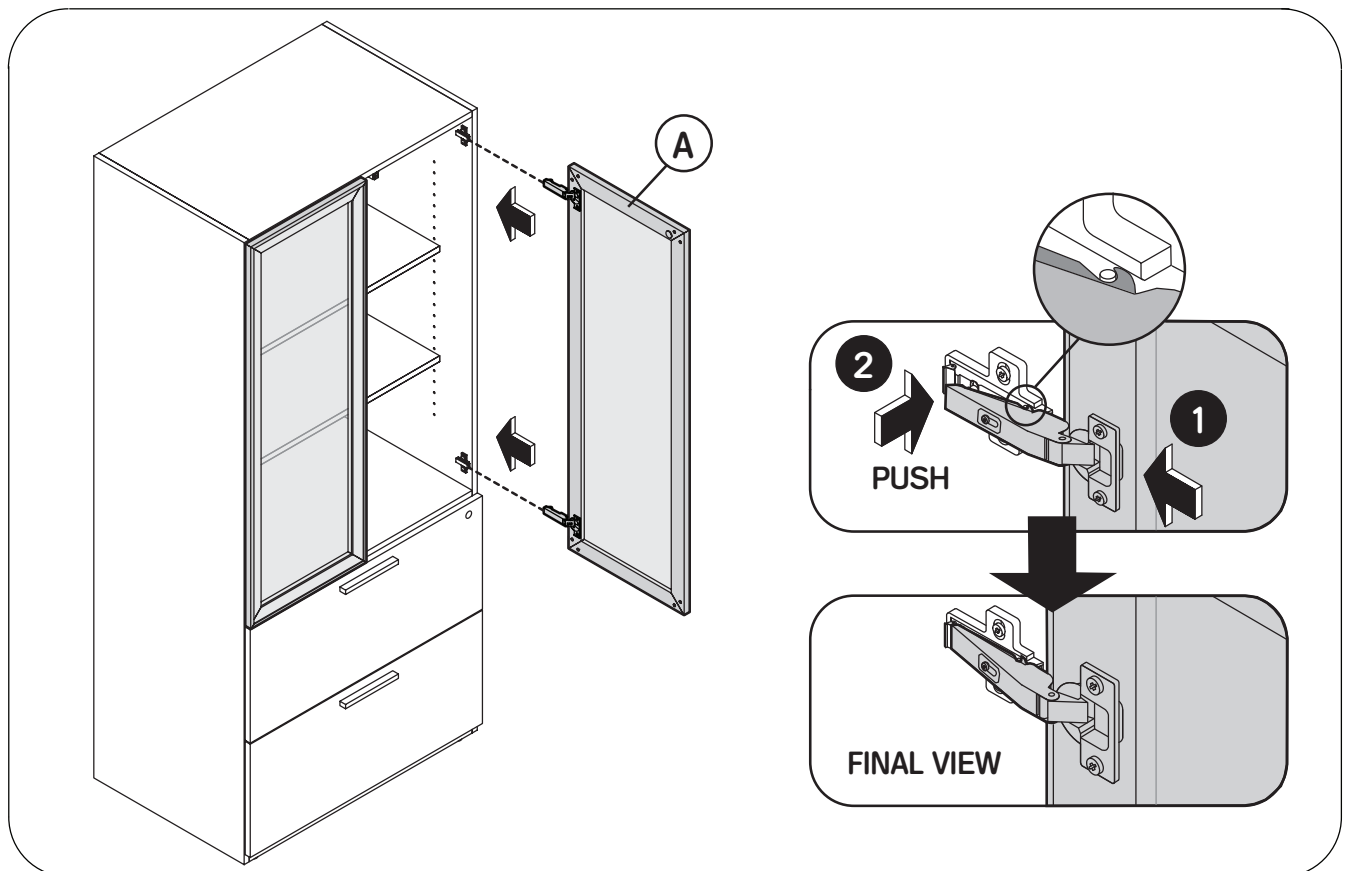
Product



GLASS DOORS - Part / Product Identification and What's Included

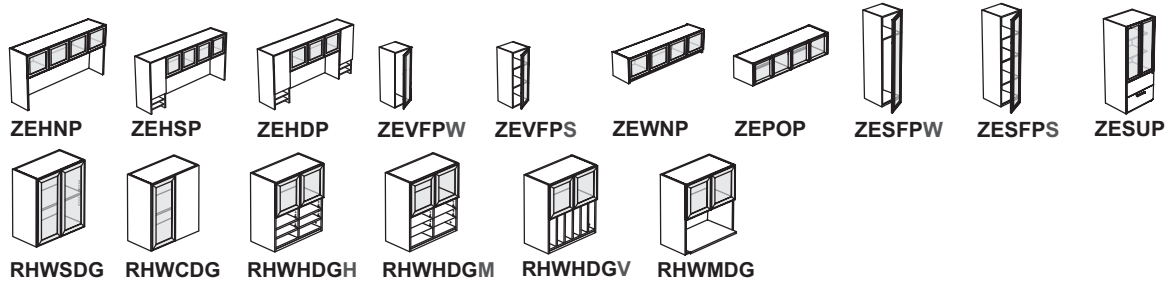
Ref.	Illustration	Description	Part No. / Prod. Code	Qty.
A		Glass Doors	N/A	As per Order

GLASS DOORS INSTALLATION

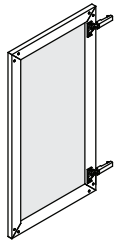


Expansion Wood: ZEHNP, ZEHSP, ZEHDP, ZEVFPW, ZEVFPS, ZEWNP, ZEPOP, ZESFPW, ZESFPS and ZESUP – Glass Doors
 Modular Cabinets: RHWSGD, RHWCDG, RHWHDGH, RHWHDGM, RHWHDGV, and RHWMDG – Glass Doors

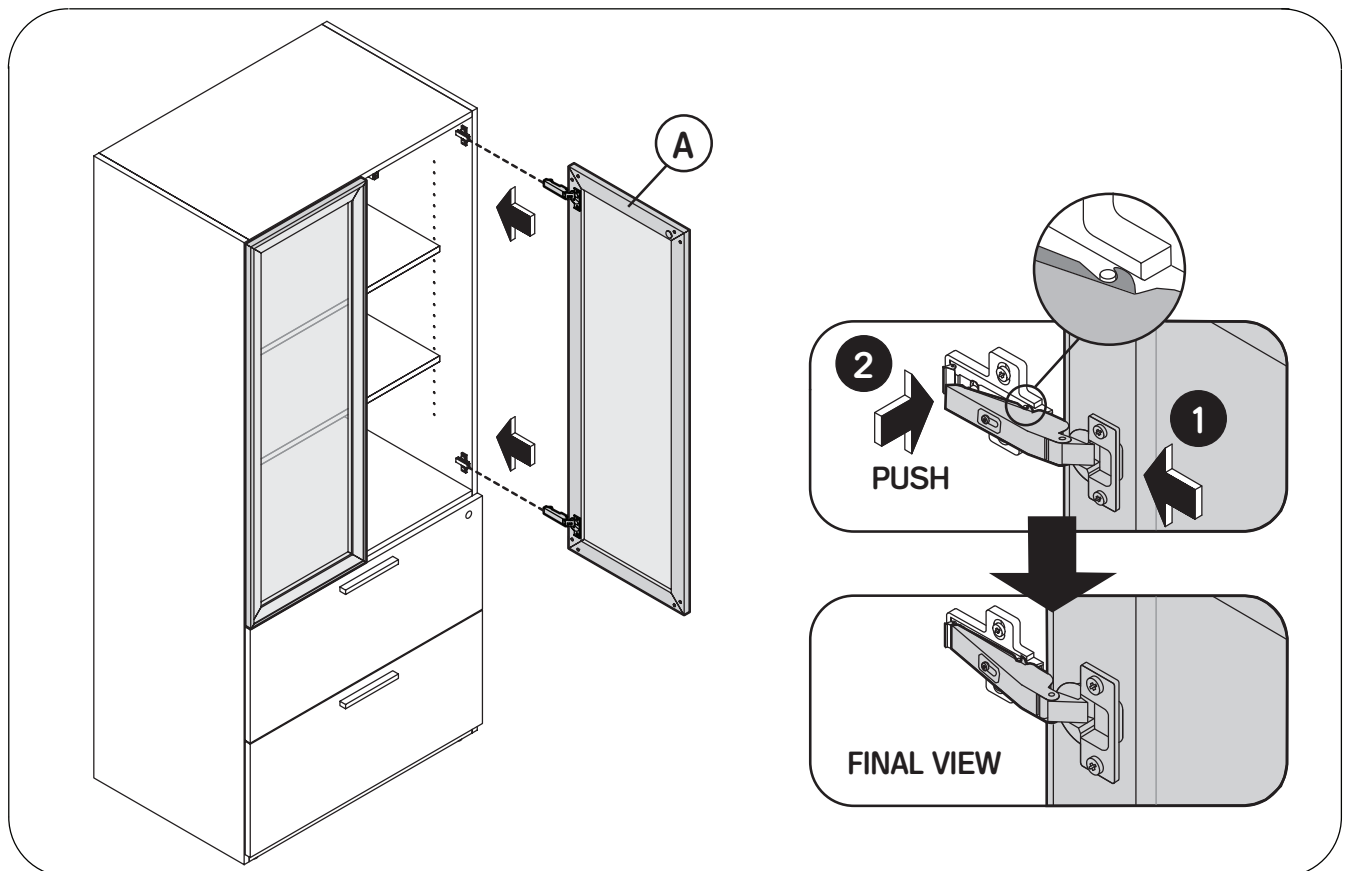
Product



GLASS DOORS - Part / Product Identification and What's Included

Ref.	Illustration	Description	Part No. / Prod. Code	Qty.
A		Glass Doors	N/A	As per Order

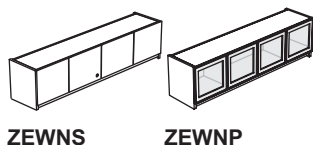
GLASS DOORS INSTALLATION



Product

STANDARD WALL-MOUNTED OVERHEAD CABINETS

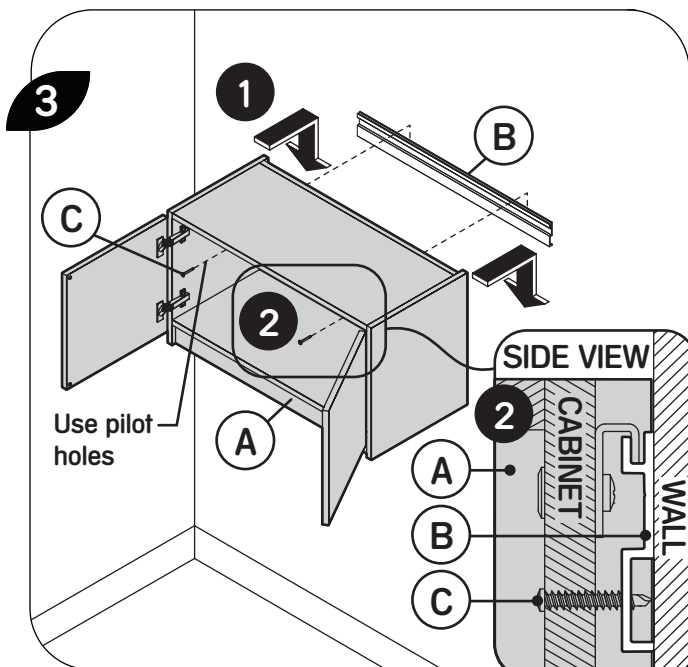
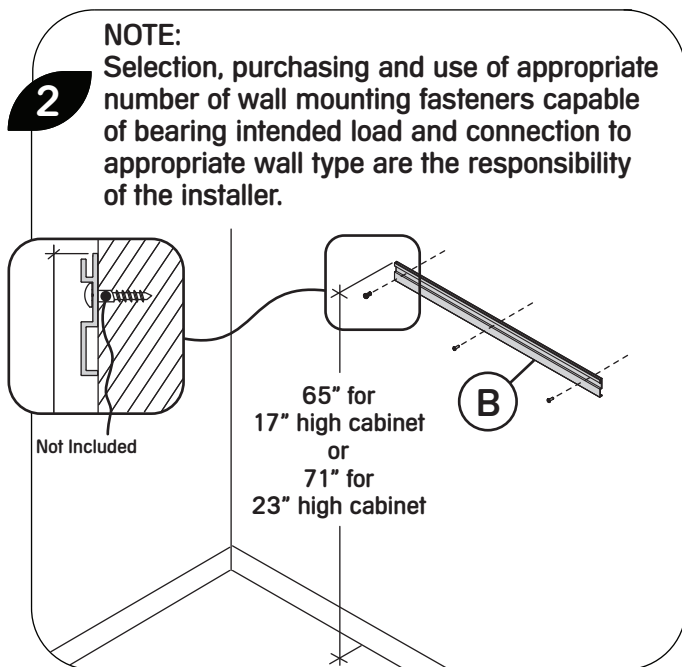
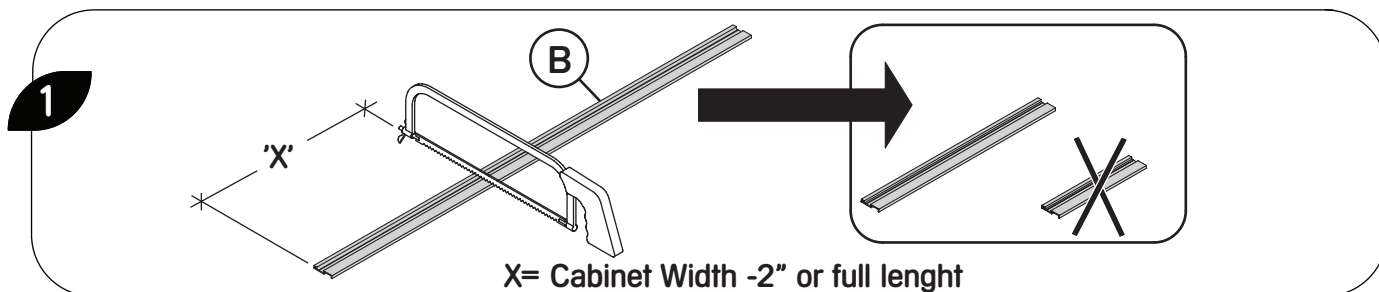
- Part / Product Identification and What's Included



TOOLS REQUIRED:
Cross Drive #2, Power Drill, and Hacksaw

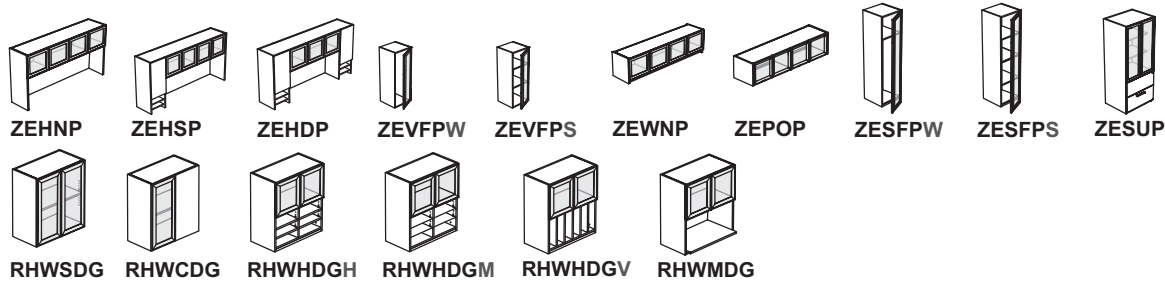
Ref.	Illustration	Description	Part No. / Prod. Code	Qty.	Kit No. / Assy. No.
A		Standard Wall-Mounted Overhead Cabinet	As per Order	1	
B		72" Wall Support	RHAWS72	1	
C		#8 x 1 1/2" Quadrex Pan Head, Self-Drilling Screw, Zinc	E07-0051	2	X80-74015

STANDARD WALL-MOUNTED OVERHEAD CABINET INSTALLATION

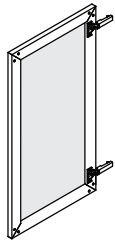


Expansion Wood: ZEHNP, ZEHSP, ZEHDP, ZEVFPW, ZEVFPS, ZEWNP, ZEPOP, ZESFPW, ZESFPS and ZESUP – Glass Doors
 Modular Cabinets: RHWSDG, RHWCDG, RHWHDGH, RHWHDGM, RHWHDGV, and RHWMDG – Glass Doors

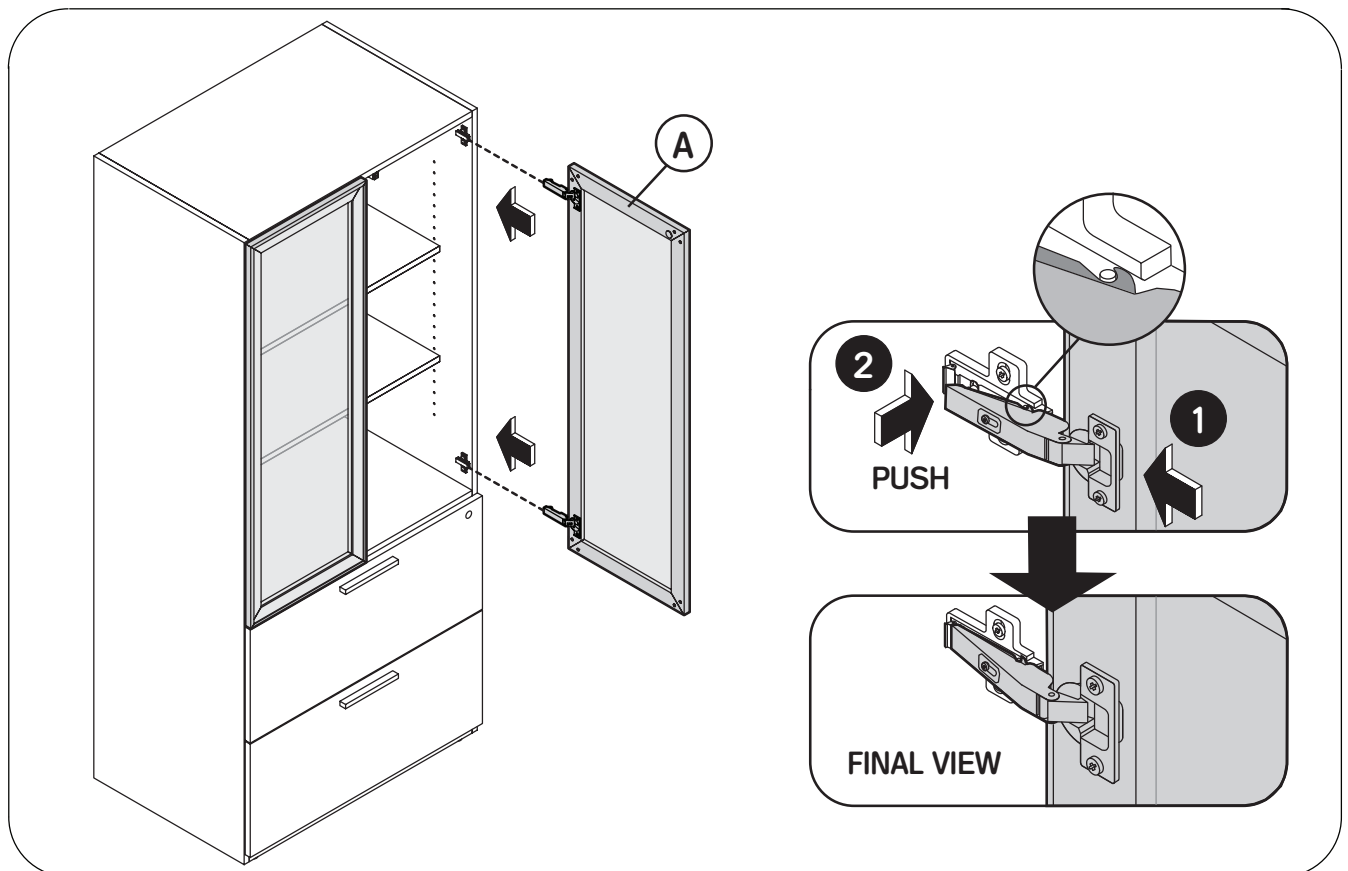
Product



GLASS DOORS - Part / Product Identification and What's Included

Ref.	Illustration	Description	Part No. / Prod. Code	Qty.
A		Glass Doors	N/A	As per Order

GLASS DOORS INSTALLATION



BOWTW – Wall-Mounted Tackboard with Wire Management

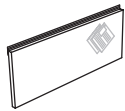
BOWTS – Wall-Mounted Tackboard

RPWT – Wall-Mounted Tackboard

ZEWBN – Wall-Mounted Tackboard with Wire Management

Product


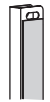
Wall-Mounted Tackboard - Part / Product Identification and What's Included



BOWTW, RPWT or ZEWBN

TOOLS REQUIRED:

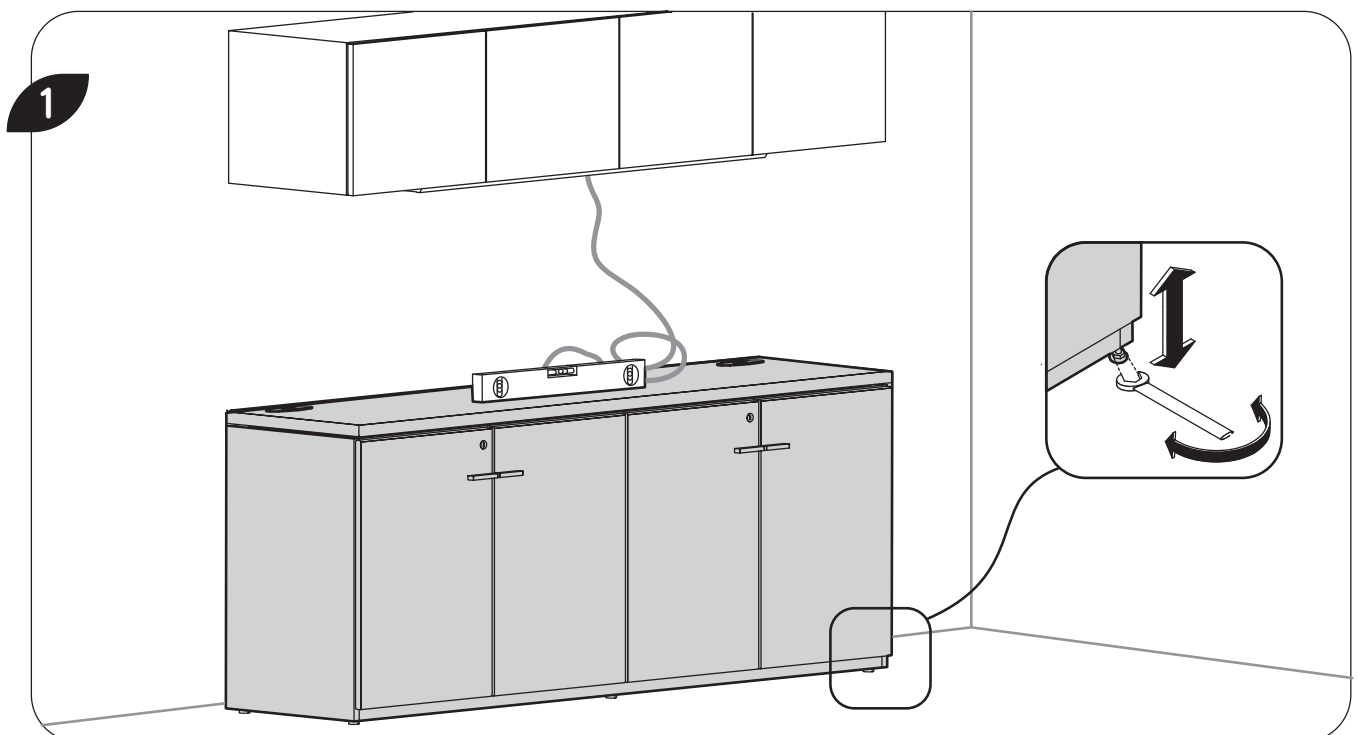
Power Driver, Pencil, Measuring Tape, 5/8" Wrench and Level

		BOWTW	RPWT	ZEWBN
Ref.	Illustration	Quantity		
A	 Wall-Mounted Tackboard Assembly N80-64186 +XX+YY or N80-61519 +XX+YY or N80-74124+XX	1	0	0
		0	1	0
		0	0	1
B	 Metal Wall Attachments with Velcro® Bands N80-50019+XX	2 (24" to 42" w) or 3 (48" to 84" w)		

NOTE:

The purchaser and installer are responsible to ensure appropriate methods and attachments for a secure and safe installation that meets all the applicable local building codes and laws.

WALL-MOUNTED TACKBOARD INSTALLATION



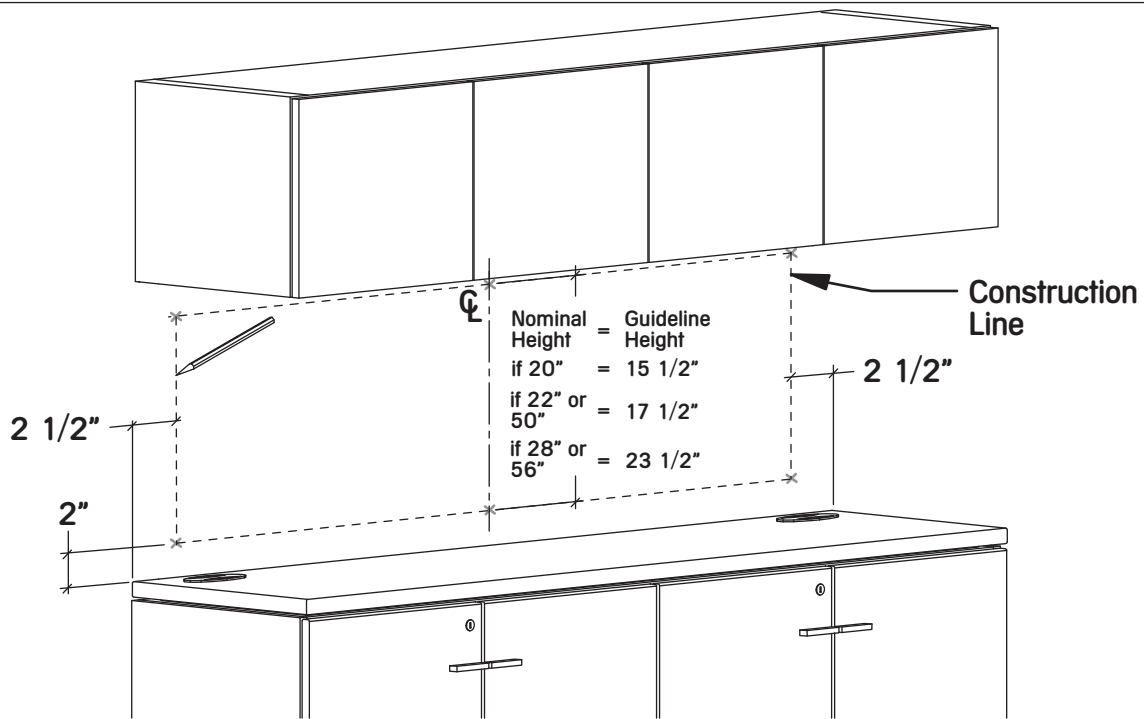
BOWTW – Wall-Mounted Tackboard with Wire Management

BOWTS – Wall-Mounted Tackboard

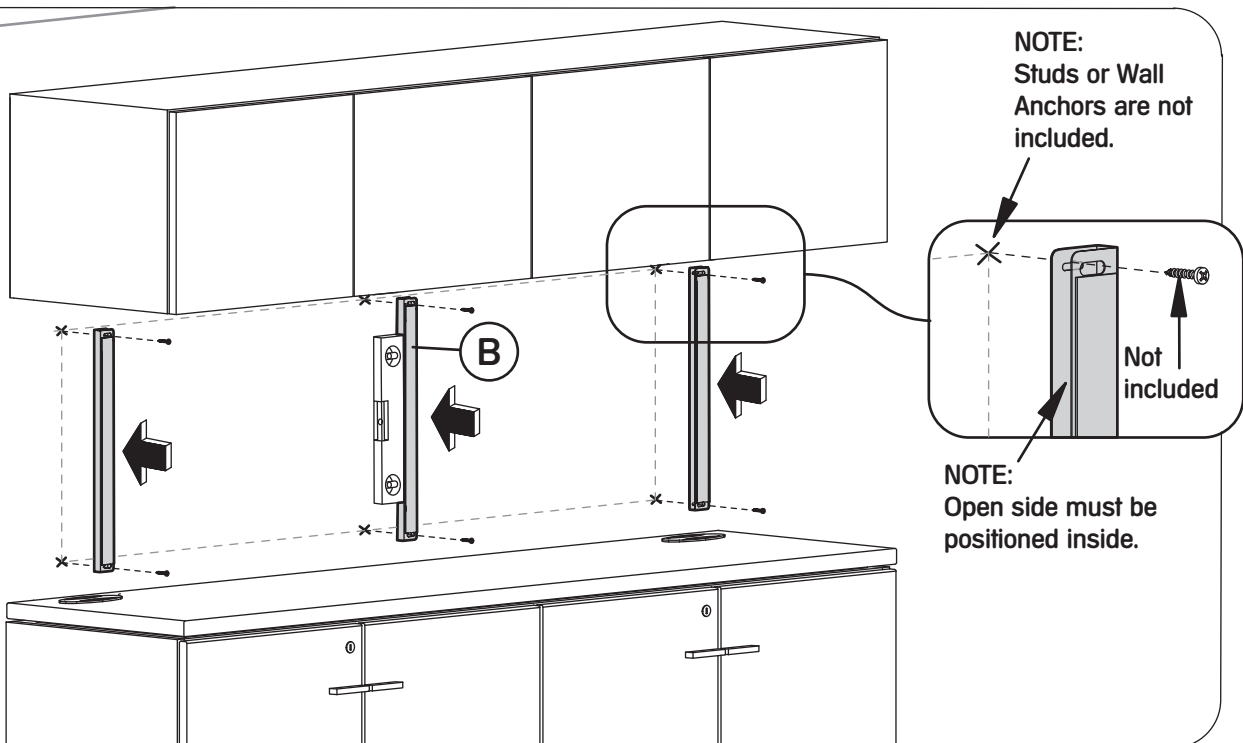
RPWT – Wall-Mounted Tackboard

ZEWBN – Wall-Mounted Tackboard with Wire Management

2



3

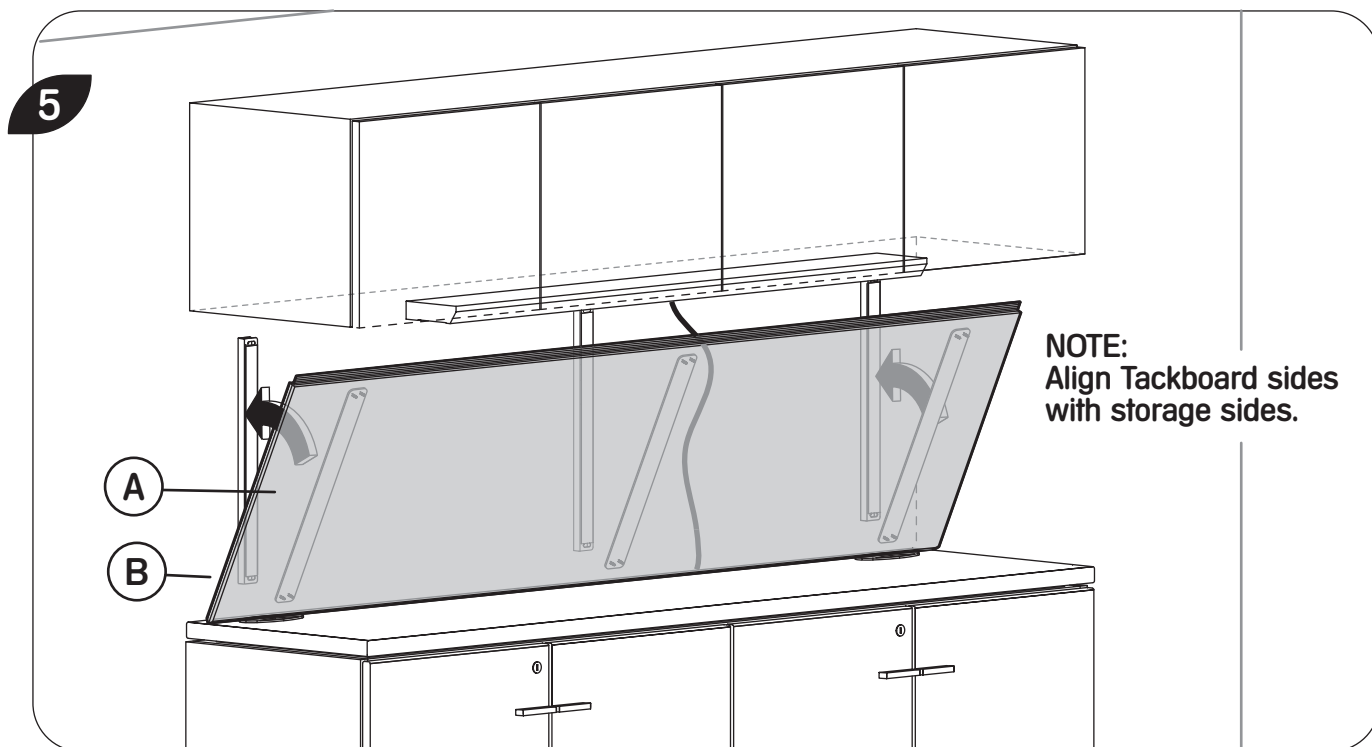
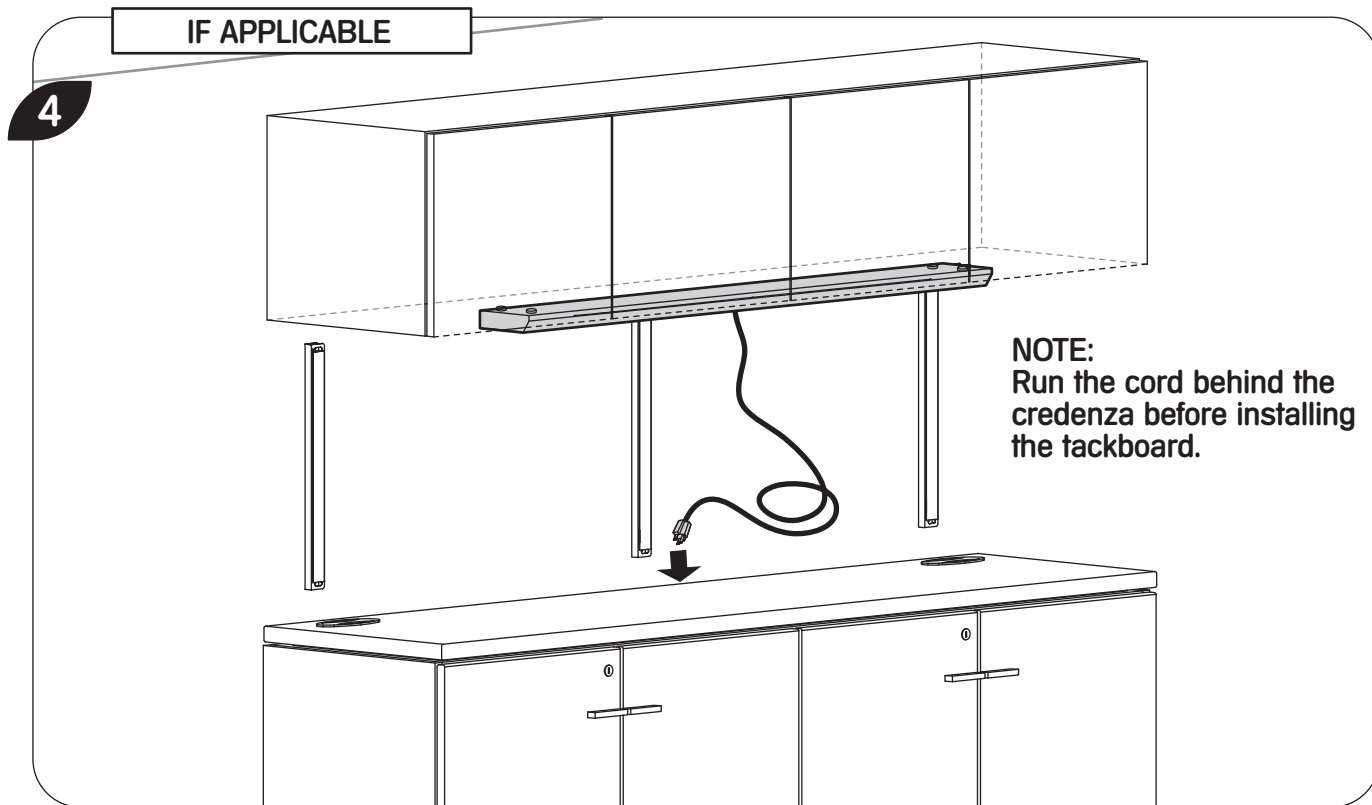


BOWTW – Wall-Mounted Tackboard with Wire Management

BOWTS – Wall-Mounted Tackboard

RPWT – Wall-Mounted Tackboard

ZEWBN – Wall-Mounted Tackboard with Wire Management



Expansion Casegoods and Expansion Wood Section – **Mounted Storage & Accessories**

No. 2001

B_WPO or ZEPOW – Wall Panel for Overhead Cabinet

BOCLB – Overhead Cabinet – Solid Hinged Doors

BOCGB – Overhead Cabinet – Glass Hinged Doors

BOFLB – Overhead Cabinet – Solid Flipper Door(s)

BOSLB – Overhead Cabinet – Solid Sliding Doors

ZEPOS – Mounted Overhead Cabinet – Wood Hinged Doors

BOSGB – Overhead Cabinet – Sliding Glass Doors

BOCOB – Overhead Cabinet – Open

BOKLB – Cubic Overhead Cabinet – Solid Hinged Doors

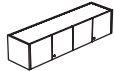
BOKGB – Cubic Overhead Cabinet – Glass Hinged Doors

ZEPOP – Mounted Overhead Cabinet – Glass Hinged Doors

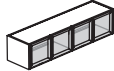
Product



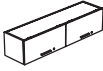
B_WPO or ZEPOW



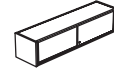
**BOCL
ZEPOS**



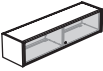
**BOCG
ZEPOP**



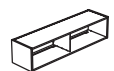
BOFL



BOSL



BOSG



BOCO



BOKL



BOKG

TOOLS REQUIRED:

Cross or Square Drive #2 and #3, Malet, Wrench, Knife, Steel Saw, Measuring Tape, Level, 5/32" and 5 mm Hexagonal Keys

Wall Panel for Overhead Cabinet - Part / Product Identification and What's Included

Ref.	Illustration	Description	Part No. / Prod. Code	Qty.	Kit No. / Assy. No.
A		Wall Panel for Overhead Cabinet	As per Order	1	
B		Wall Panel Fixation on Worksurface	A15-64184	2 (24" to 42" w) 3 (48" to 60" w) 4 (66" to 84" w) or 4 (30" to 84" w for ZEPOW only)	
C		Wall Panel Fixation	A15-64183		
D		5/16" – 18 x 2" Leveler	501625	2	1x (24" to 48" w) or (30" to 54" w for ZEPOW only) or 2x (54" to 84" w) or (60" to 84" w for ZEPOW only) X80-64128
E		#20 x 45 mm x 1/4" Joint Connector Bolt Chrome	D02-50070	3	
F		1/4" – 20 x 18 mm Joint Connector Nut Zinc	425431	3	
G		1" x 0,180" Clear Bumper	B02-50106	4	
H		Spacer	A15-64199	1 (24" to 48" w) or 2 (54" to 84" w)	1 (30" to 54" w) or 2 (60" to 84" w) (for ZEPOW only)
I		Wire Cover Extrusion	A21-50146 +52	1	
J		Top Bracket	A15-75011	2	X80-64130
K		Cover Bracket (To be disposed)		2	
L		1/2" x 2" Double Face Tape	530253	2	
M		Wall Adjustable Bracket	A15-64179	2	X80-64129
N		Wall Fixed Bracket	A15-64180	2	
O		1/4" – 20 x 5/8" Button Head, Hex Socket Cap Screw, Black	E01-50658	2	
P		Ø1/4" Lockwasher	E03-50983	2	
Q		#8 x 5/8" Recex Pan Head W. Screw, Black	402100	2	

Reference Installation Guides:
No. 2026 Expansion Casegoods " Secondary Desks B_MSD, B_ASH "

For additional information on this installation contact Teknion | Roy & Breton **Technical Support.**

Issue Date: 2015 September 28

(L04-64122_R03)

B_WPO or ZEPOW – Wall Panel for Overhead Cabinet

BOCLB – Overhead Cabinet – Solid Hinged Doors

BOCGB – Overhead Cabinet – Glass Hinged Doors

BOFLB – Overhead Cabinet – Solid Flipper Door(s)

BOSLB – Overhead Cabinet – Solid Sliding Doors

ZEPOS – Mounted Overhead Cabinet – Wood Hinged Doors

BOSGB – Overhead Cabinet – Sliding Glass Doors




BOCOB – Overhead Cabinet – Open

BOKLB – Cubic Overhead Cabinet – Solid Hinged Doors


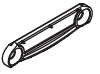

BOKGB – Cubic Overhead Cabinet – Glass Hinged Doors

ZEPOP – Mounted Overhead Cabinet – Glass Hinged Doors

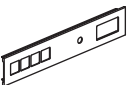


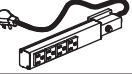

Wall Panel for Overhead Cabinet - Part / Product Identification and What's Included

		X80-64125 (24" to 42" w) or (30" to 42" w for ZEPOW only)	X80-64126 (48" to 60" w)	X80-64127 (66" to 84" w)	
Ref.	Illustration	Quantity			
Q	 #8 x 5/8" Recex Pan Hd. W. Screw, Black 402100	8	12	16	
R	 #12 x 3/4" Quadrex Pan Hd. W. Screw, Black E04-50017	8	12	16	
S	 1/4" – 20 x 5/8" Quadrex Pan Hd. M. Screw, Zinc E01-50403	8	12	16	

Only Applicable with Accessory Rail

Ref.	Illustration	Description	Part No. / Prod. Code	Qty.	Kit No. / Assy. No.
T		Accessory Rail	N80-64183 +XX	1	
U		Fixation Clip	B02-64000	3 (24") 4 (30" or 36" w) 5 (42" or 48" w) 6 (54" or 60" w) 7 (66" or 72" w) 8 (78" or 84" w)	R80-64007 +XX
V		#14 – 3/4" Quadrex Flat Head W. Screw, Zinc	E04-50057	6 (24") 8 (30" or 36" w) 10 (42" or 48" w) 12 (54" or 60" w) 14 (66" or 72" w) 16 (78" or 84" w)	

Only Applicable with Wall Panel and Power, and Data

Ref.	Illustration	Description	Part No. / Prod. Code	Qty.	Kit No. / Assy. No.
W		Cover	N/A	1	
X		Power Bar Clip	N/A	3	
Y		Quadrex Pan Head Wood Screw	N/A	6	CVLP
Z		Power Bar	N/A	1	
AA		Data Blank Plate	N/A	1	

Expansion Casegoods and Expansion Wood Section – **Mounted Storage & Accessories**

No. 2001

B_WPO or ZEPOW – Wall Panel for Overhead Cabinet

BOCLB – Overhead Cabinet – Solid Hinged Doors

BOCGB – Overhead Cabinet – Glass Hinged Doors

BOFLB – Overhead Cabinet – Solid Flipper Door(s)

BOSLB – Overhead Cabinet – Solid Sliding Doors

ZEPOS – Mounted Overhead Cabinet – Wood Hinged Doors

BOSGB – Overhead Cabinet – Sliding Glass Doors

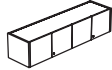
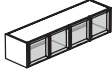
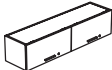
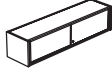
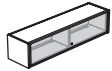
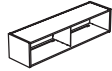
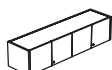
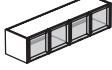
BOCOB – Overhead Cabinet – Open

BOKLB – Cubic Overhead Cabinet – Solid Hinged Doors

BOKGB – Cubic Overhead Cabinet – Glass Hinged Doors

ZEPOP – Mounted Overhead Cabinet – Glass Hinged Doors

Overhead Cabinet - Part / Product Identification and What's Included

Ref.	Illustration	Description	Part No. / Prod. Code	Qty.	Kit No. / Assy. No.
AB	 OR	Overhead Cabinet – Solid Hinged Doors	BOCL or ZEPOS	1	
	 OR	Overhead Cabinet – Glass Hinged Doors	BOCG or ZEPOP		
	 OR	Overhead Cabinet – Solid Flipper Door(s)	BOFL		
	 OR	Overhead Cabinet – Solid Sliding Doors	BOSL		
	 OR	Overhead Cabinet – Sliding Glass Doors	BOSG		
	 OR	Overhead Cabinet – Open	BOCO		
	 OR	Cubic Overhead Cabinet – Solid Hinged Doors	BOKL		
		Cubic Overhead Cabinet – Glass Hinged Doors	BOKG		

NOTE:

The purchaser and installer are responsible to ensure appropriate methods and attachments for a secure and safe installation that meets all the applicable local building codes and laws.

B_WPO or ZEPOW – Wall Panel for Overhead Cabinet

BOCLB – Overhead Cabinet – Solid Hinged Doors

BOCGB – Overhead Cabinet – Glass Hinged Doors

BOFLB – Overhead Cabinet – Solid Flipper Door(s)

BOSLB – Overhead Cabinet – Solid Sliding Doors

ZEPOS – Mounted Overhead Cabinet – Wood Hinged Doors

BOSGB – Overhead Cabinet – Sliding Glass Doors

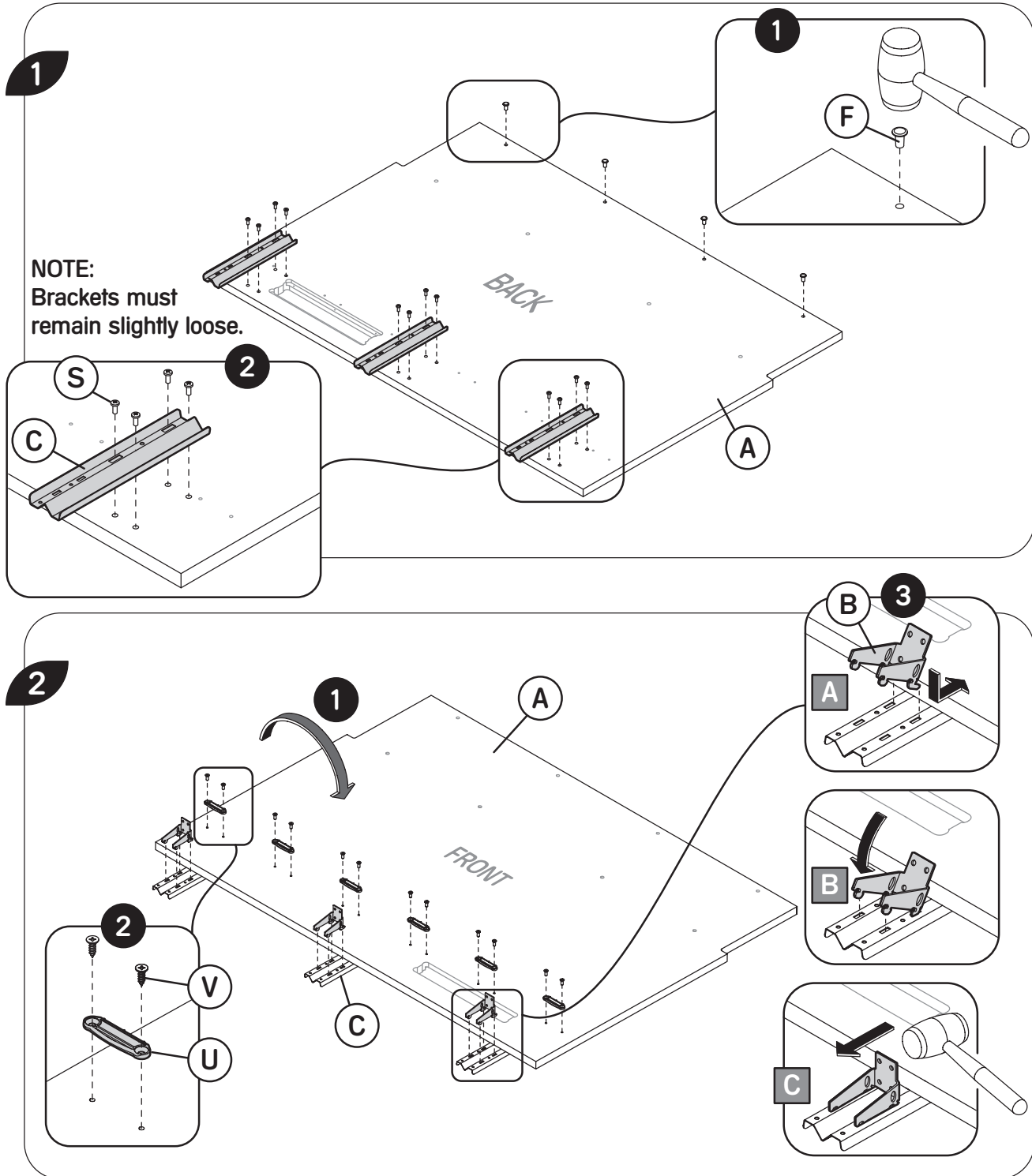
BOCOB – Overhead Cabinet – Open

BOKLB – Cubic Overhead Cabinet – Solid Hinged Doors

BOKGB – Cubic Overhead Cabinet – Glass Hinged Doors

ZEPOP – Mounted Overhead Cabinet – Glass Hinged Doors

WALL PANEL FOR OVERHEAD CABINET INSTALLATION



Expansion Casegoods and Expansion Wood Section – **Mounted Storage & Accessories**

No. 2001

B_WPO or ZEPOW – Wall Panel for Overhead Cabinet

BOCLB – Overhead Cabinet – Solid Hinged Doors

BOCGB – Overhead Cabinet – Glass Hinged Doors

BOFLB – Overhead Cabinet – Solid Flipper Door(s)

BOSLB – Overhead Cabinet – Solid Sliding Doors

ZEPOS – Mounted Overhead Cabinet – Wood Hinged Doors

BOSGB – Overhead Cabinet – Sliding Glass Doors

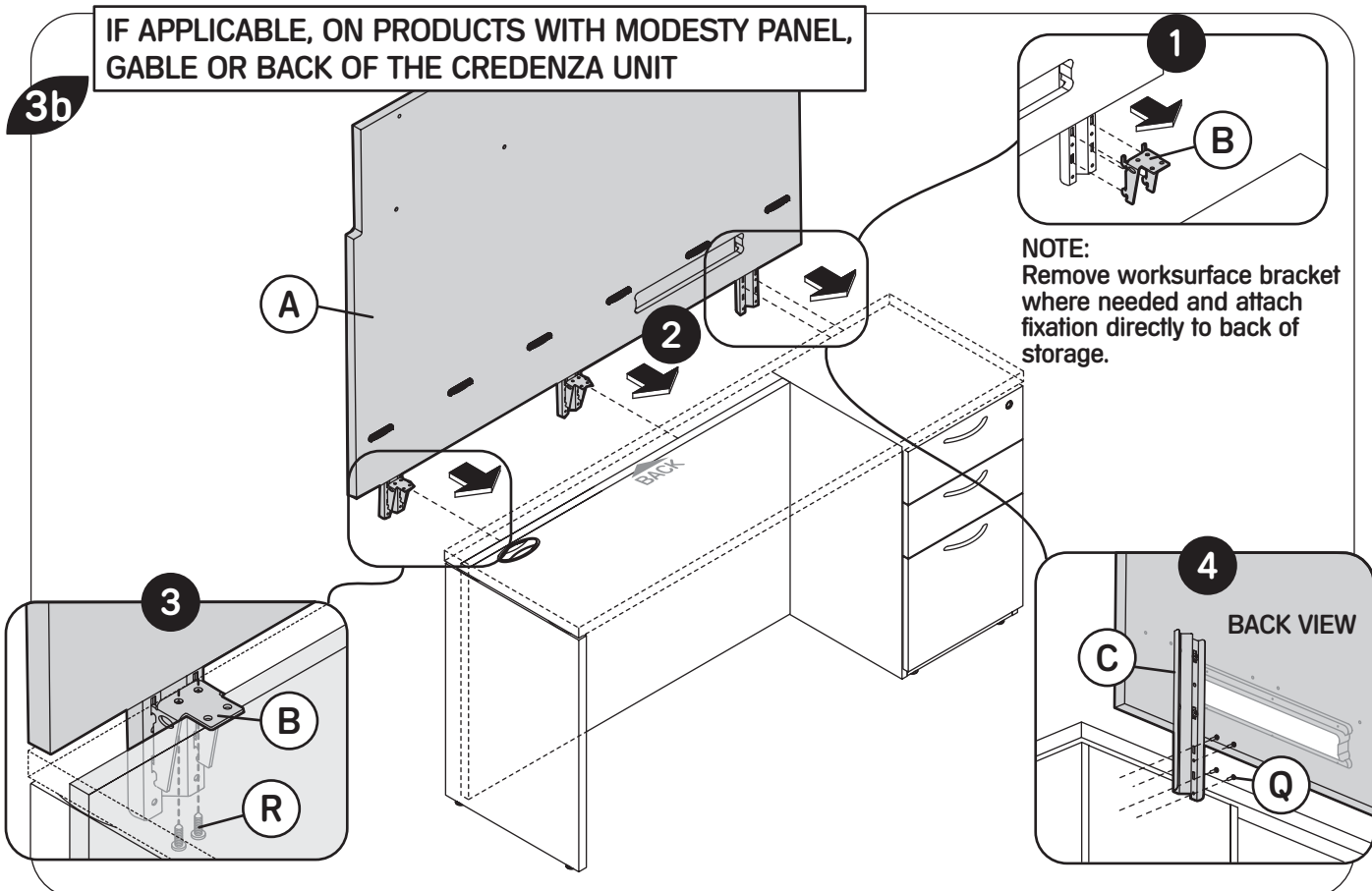
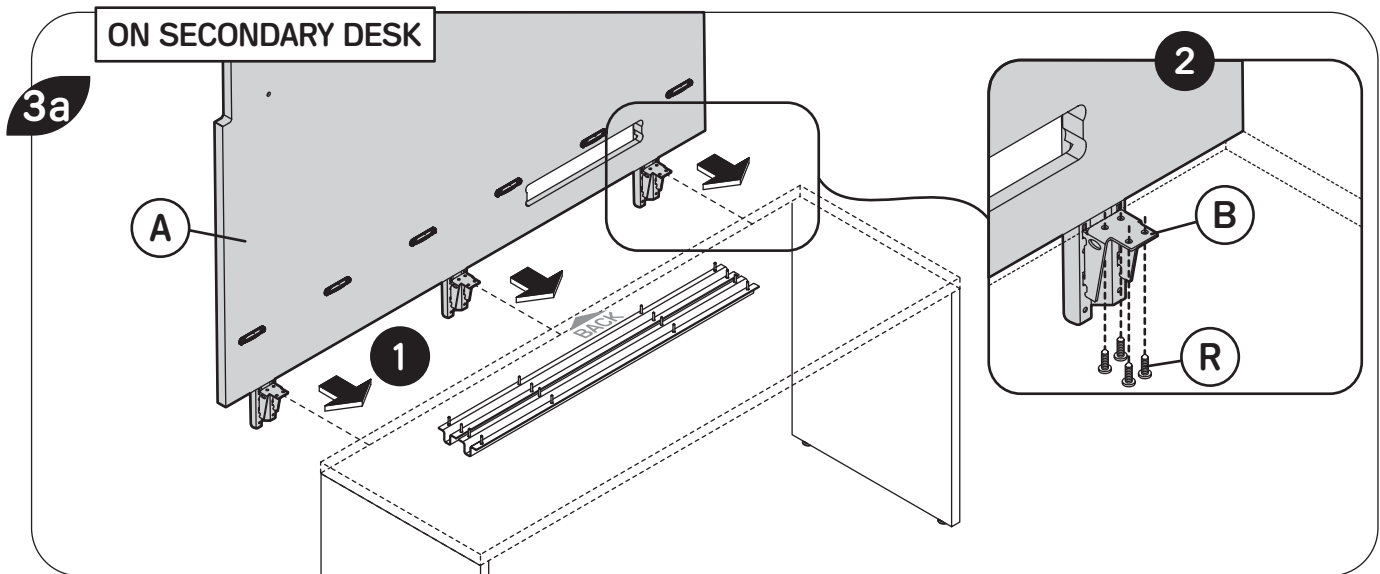
BOCOB – Overhead Cabinet – Open

BOKLB – Cubic Overhead Cabinet – Solid Hinged Doors

BOKGB – Cubic Overhead Cabinet – Glass Hinged Doors

ZEPOP – Mounted Overhead Cabinet – Glass Hinged Doors

CAUTION: Anytime, Wall Panels installed on a Secondary Desk must always be done against a wall for stability issues.



B_WPO or ZEPOW – Wall Panel for Overhead Cabinet

BOCLB – Overhead Cabinet – Solid Hinged Doors

BOCGB – Overhead Cabinet – Glass Hinged Doors

BOFLB – Overhead Cabinet – Solid Flipper Door(s)

BOSLB – Overhead Cabinet – Solid Sliding Doors

ZEPOS – Mounted Overhead Cabinet – Wood Hinged Doors

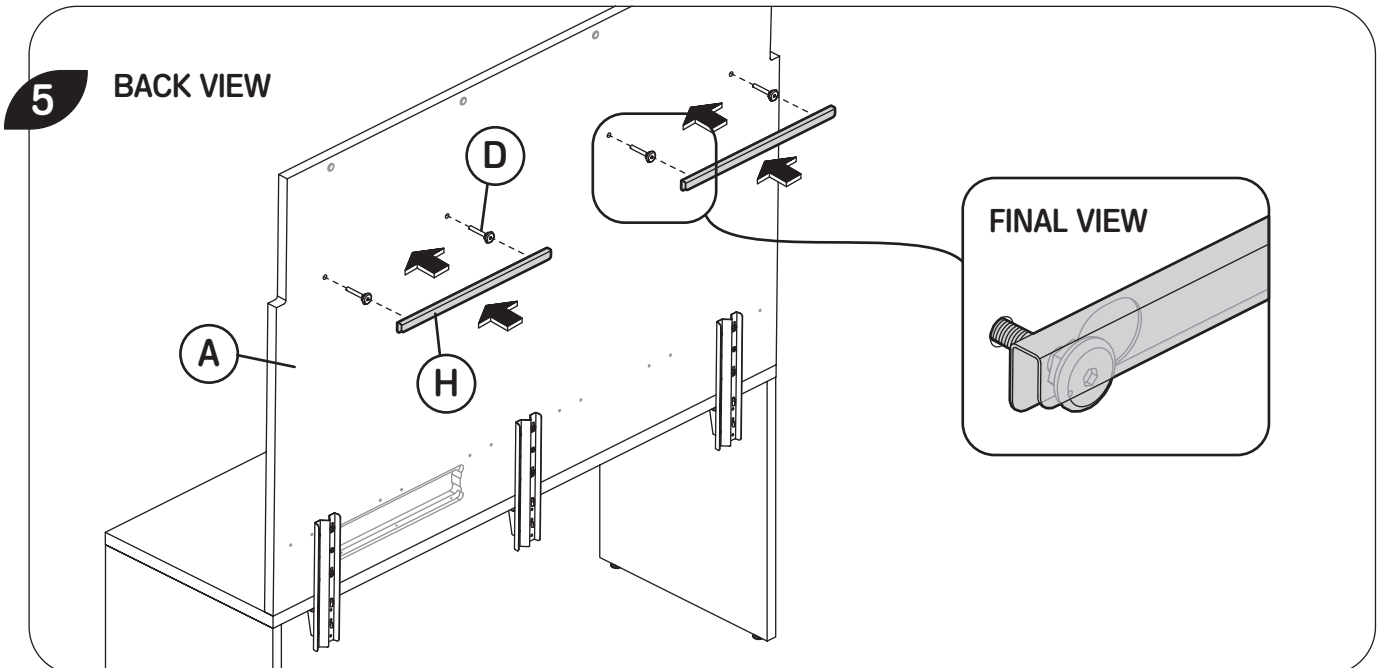
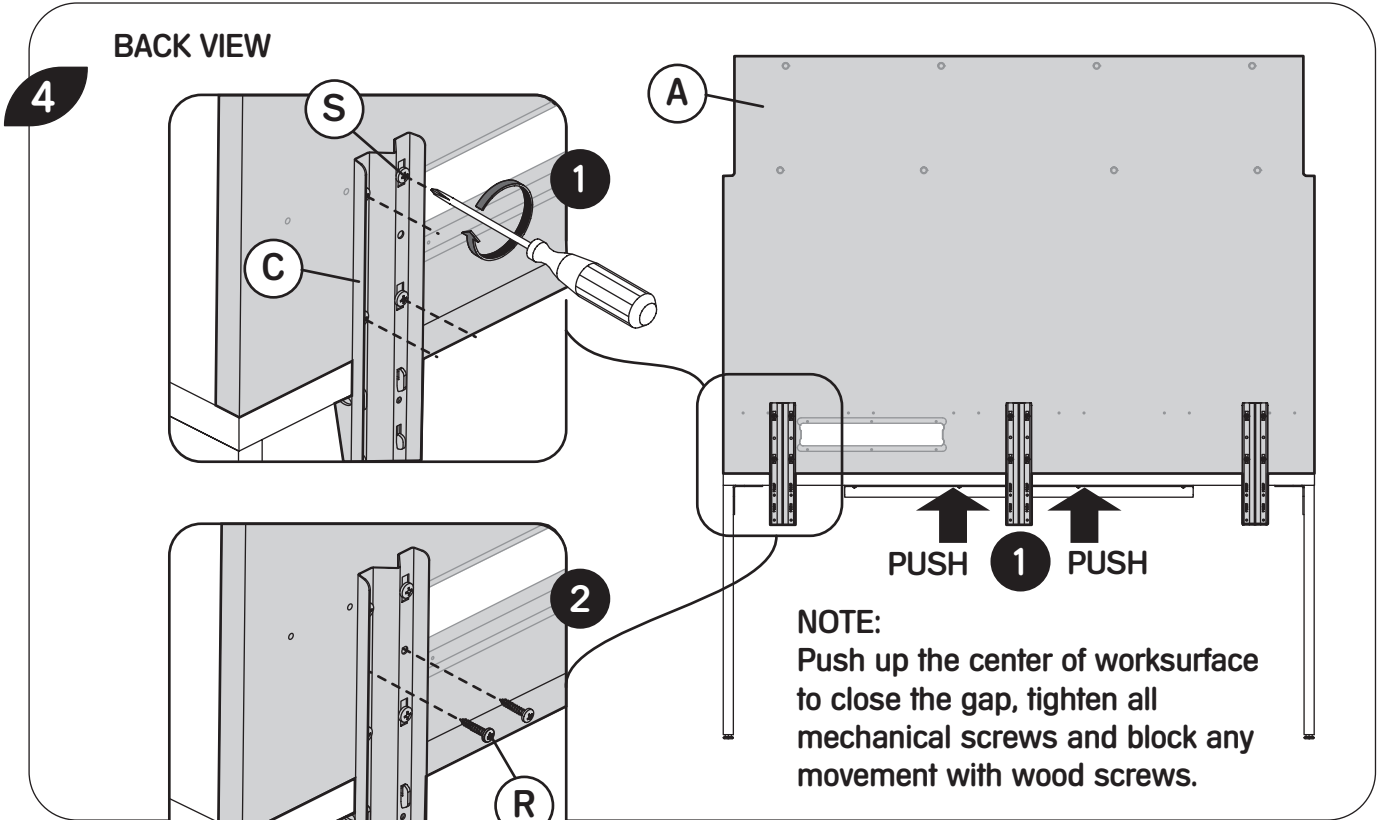
BOSGB – Overhead Cabinet – Sliding Glass Doors

BOCOB – Overhead Cabinet – Open

BOKLB – Cubic Overhead Cabinet – Solid Hinged Doors

BOKGB – Cubic Overhead Cabinet – Glass Hinged Doors

ZEPOP – Mounted Overhead Cabinet – Glass Hinged Doors



Expansion Casegoods and Expansion Wood Section – **Mounted Storage & Accessories**

No. 2001

B_WPO or ZEPOW – Wall Panel for Overhead Cabinet

BOCLB – Overhead Cabinet – Solid Hinged Doors

BOCGB – Overhead Cabinet – Glass Hinged Doors

BOFLB – Overhead Cabinet – Solid Flipper Door(s)

BOSLB – Overhead Cabinet – Solid Sliding Doors

ZEPOS – Mounted Overhead Cabinet – Wood Hinged Doors

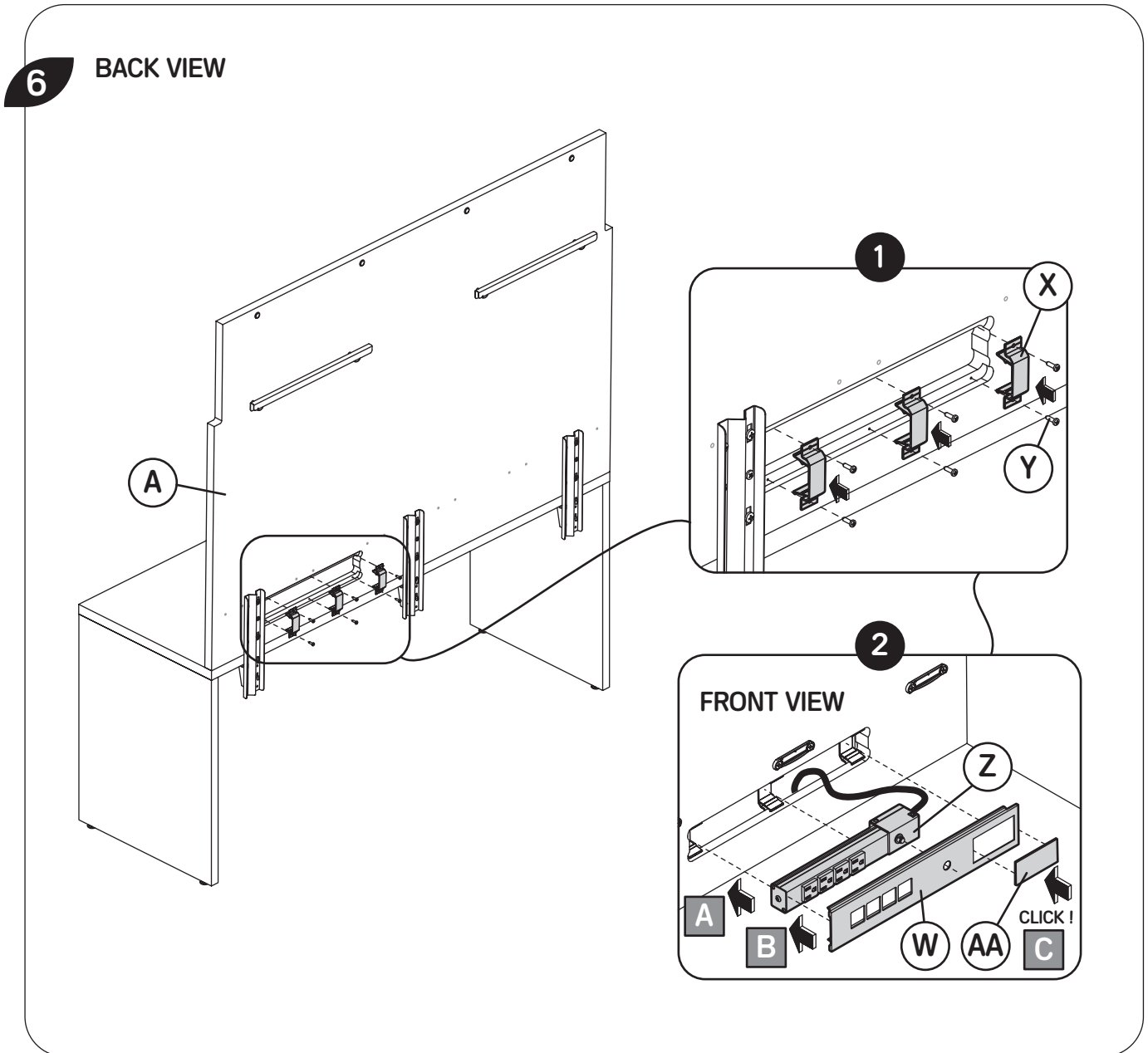
BOSGB – Overhead Cabinet – Sliding Glass Doors

BOCOB – Overhead Cabinet – Open

BOKLB – Cubic Overhead Cabinet – Solid Hinged Doors

BOKGB – Cubic Overhead Cabinet – Glass Hinged Doors

ZEPOP – Mounted Overhead Cabinet – Glass Hinged Doors



7 SECONDARY DESK OR CREDENZA UNIT INSTALLATION

NOTE:

- 1- All electrical and lighting products must be connected to wall outlets at this step.
- 2- Push and level workstation on the building wall.

For Secondary Desk only, refer to steps 5 and 6 of the installation guide #2026 or L04-64020.

B_WPO or ZEPOW – Wall Panel for Overhead Cabinet

BOCLB – Overhead Cabinet – Solid Hinged Doors

BOCGB – Overhead Cabinet – Glass Hinged Doors

BOFLB – Overhead Cabinet – Solid Flipper Door(s)

BOSLB – Overhead Cabinet – Solid Sliding Doors

ZEPOS – Mounted Overhead Cabinet – Wood Hinged Doors

BOSGB – Overhead Cabinet – Sliding Glass Doors

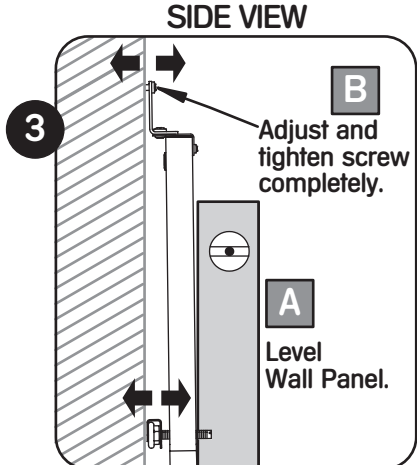
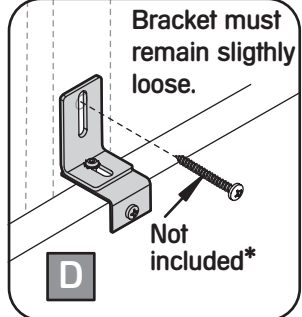
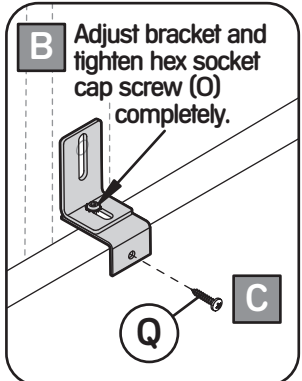
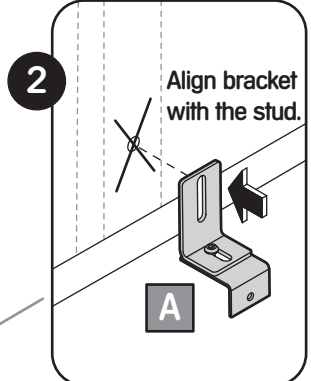
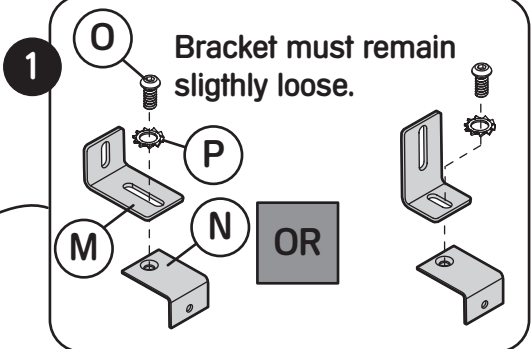
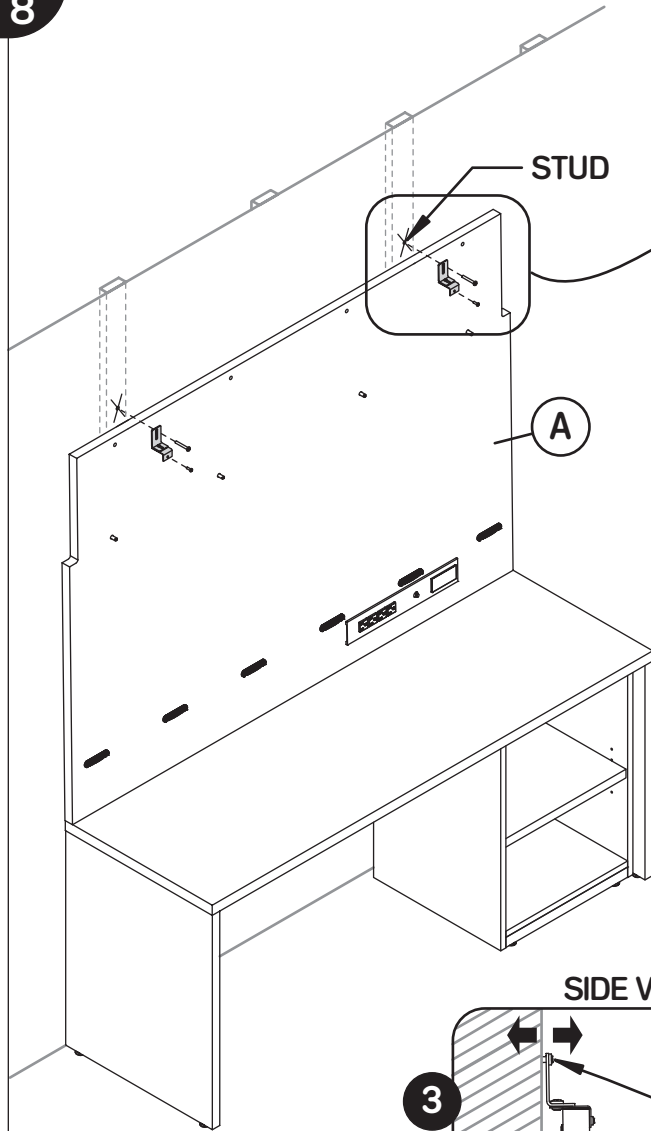
BOCOB – Overhead Cabinet – Open

BOKLB – Cubic Overhead Cabinet – Solid Hinged Doors

BOKGB – Cubic Overhead Cabinet – Glass Hinged Doors

ZEPOP – Mounted Overhead Cabinet – Glass Hinged Doors

8



*** NOTE:**
Selection and purchasing of appropriate wall mounting fasteners are the responsibility of the installer.

Expansion Casegoods and Expansion Wood Section – **Mounted Storage & Accessories**

No. 2001

B_WPO or ZEPOW – Wall Panel for Overhead Cabinet

BOCLB – Overhead Cabinet – Solid Hinged Doors

BOCGB – Overhead Cabinet – Glass Hinged Doors

BOFLB – Overhead Cabinet – Solid Flipper Door(s)

BOSLB – Overhead Cabinet – Solid Sliding Doors

ZEPOS – Mounted Overhead Cabinet – Wood Hinged Doors

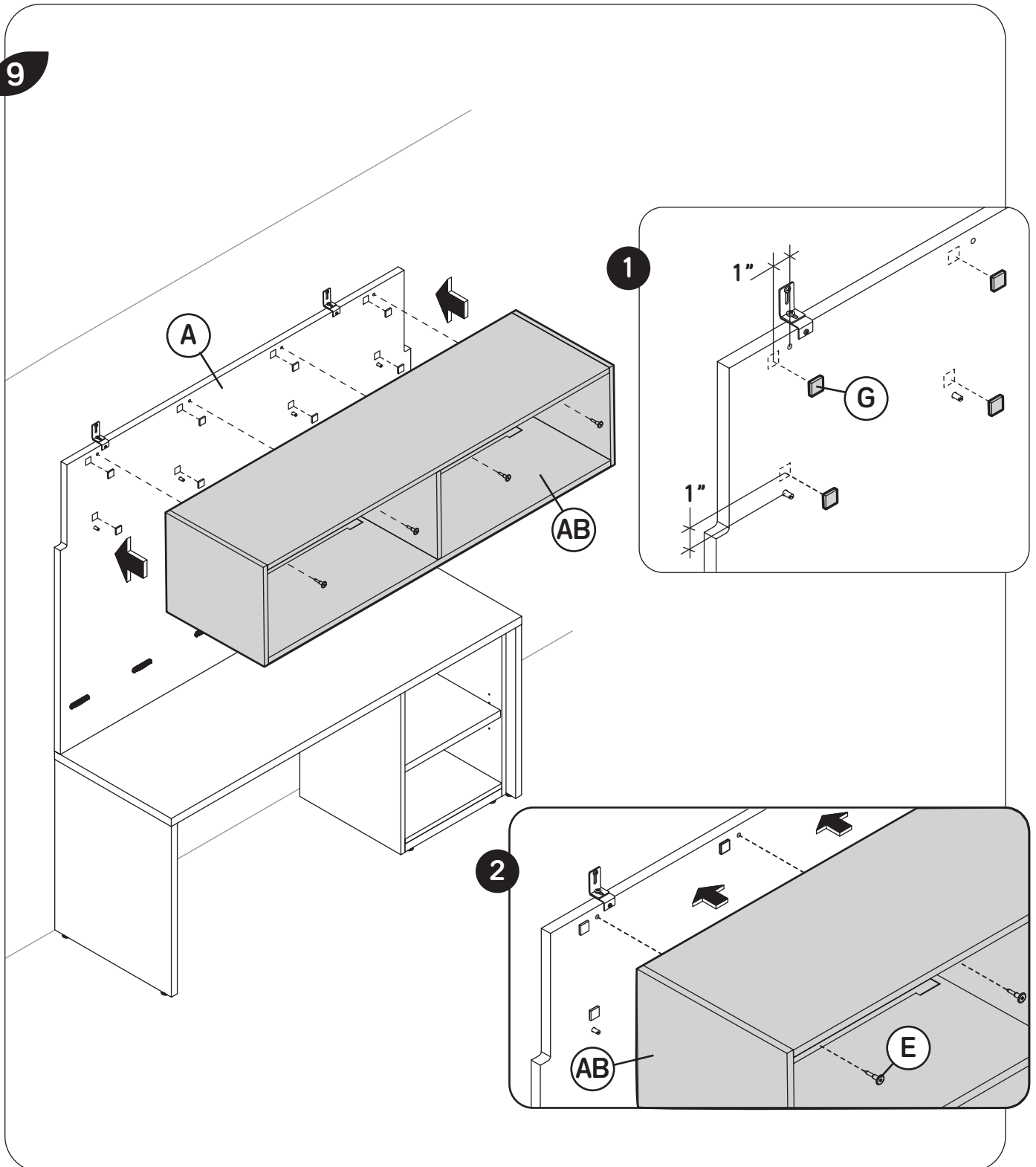
BOSGB – Overhead Cabinet – Sliding Glass Doors

BOCOB – Overhead Cabinet – Open

BOKLB – Cubic Overhead Cabinet – Solid Hinged Doors

BOKGB – Cubic Overhead Cabinet – Glass Hinged Doors

ZEPOP – Mounted Overhead Cabinet – Glass Hinged Doors



B_WPO or ZEPOW – Wall Panel for Overhead Cabinet

BOCLB – Overhead Cabinet – Solid Hinged Doors

BOCGB – Overhead Cabinet – Glass Hinged Doors

BOFLB – Overhead Cabinet – Solid Flipper Door(s)

BOSLB – Overhead Cabinet – Solid Sliding Doors

ZEPOS – Mounted Overhead Cabinet – Wood Hinged Doors

BOSGB – Overhead Cabinet – Sliding Glass Doors

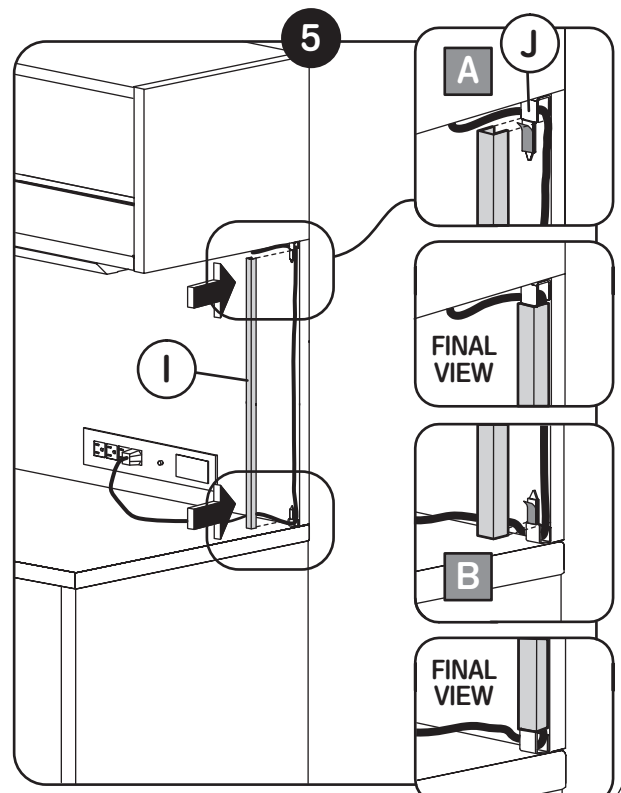
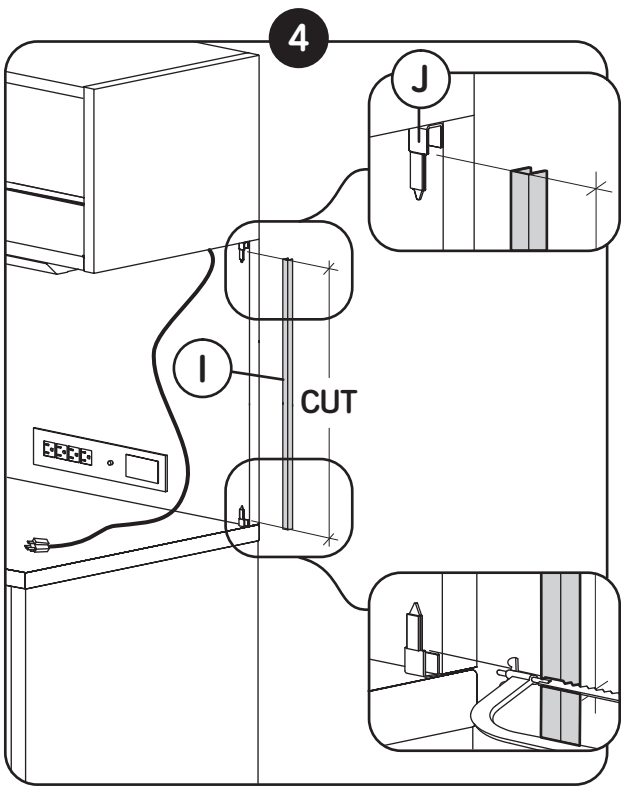
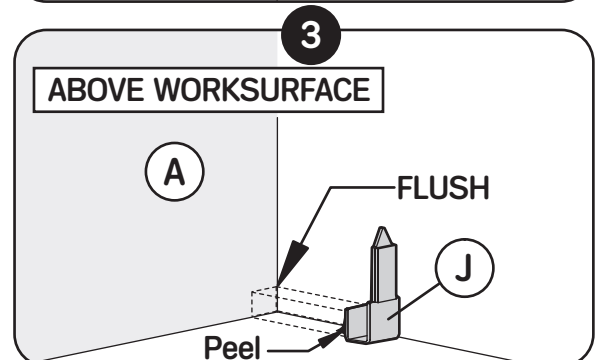
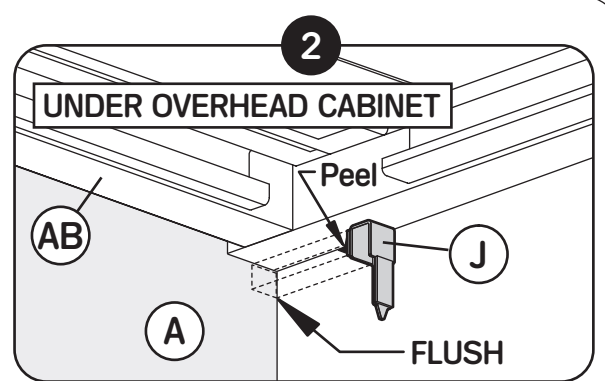
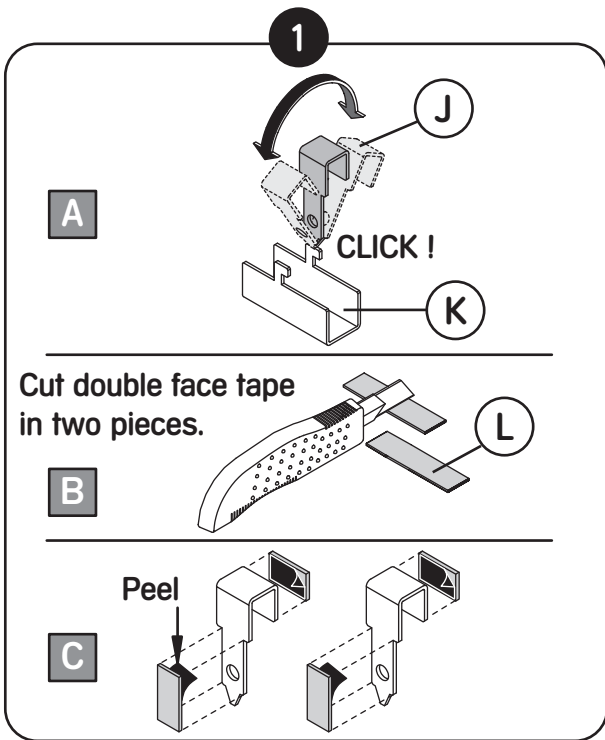
BOCOB – Overhead Cabinet – Open

BOKLB – Cubic Overhead Cabinet – Solid Hinged Doors

BOKGB – Cubic Overhead Cabinet – Glass Hinged Doors

ZEPOP – Mounted Overhead Cabinet – Glass Hinged Doors

10



Expansion Casegoods and Expansion Wood Section – **Mounted Storage & Accessories**

No. 2001

B_WPO or ZEPOW – Wall Panel for Overhead Cabinet

BOCLB – Overhead Cabinet – Solid Hinged Doors

BOCGB – Overhead Cabinet – Glass Hinged Doors

BOFLB – Overhead Cabinet – Solid Flipper Door(s)

BOSLB – Overhead Cabinet – Solid Sliding Doors

ZEPOS – Mounted Overhead Cabinet – Wood Hinged Doors

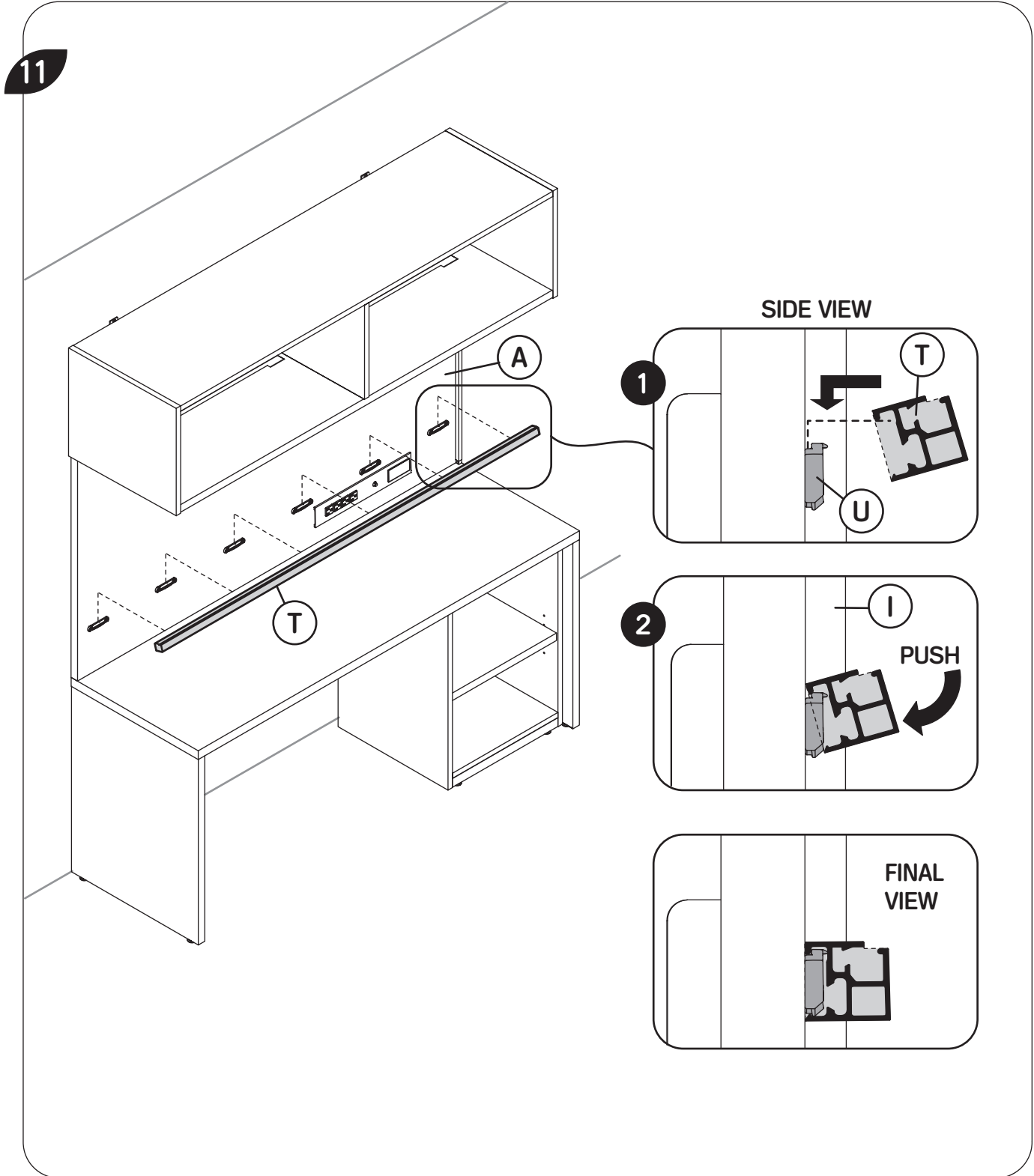
BOSGB – Overhead Cabinet – Sliding Glass Doors

BOCOB – Overhead Cabinet – Open

BOKLB – Cubic Overhead Cabinet – Solid Hinged Doors

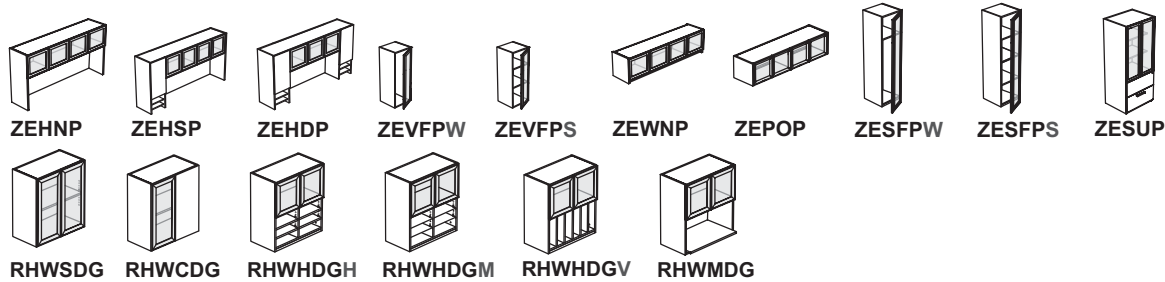
BOKGB – Cubic Overhead Cabinet – Glass Hinged Doors

ZEPOP – Mounted Overhead Cabinet – Glass Hinged Doors

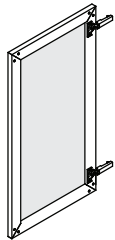


Expansion Wood: ZEHNP, ZEHSP, ZEHDP, ZEVFPW, ZEVFPS, ZEWNP, ZEPOP, ZESFPW, ZESFPS and ZESUP – Glass Doors
 Modular Cabinets: RHWSGD, RHWCDG, RHWHDGH, RHWHDGM, RHWHDGV, and RHWMDG – Glass Doors

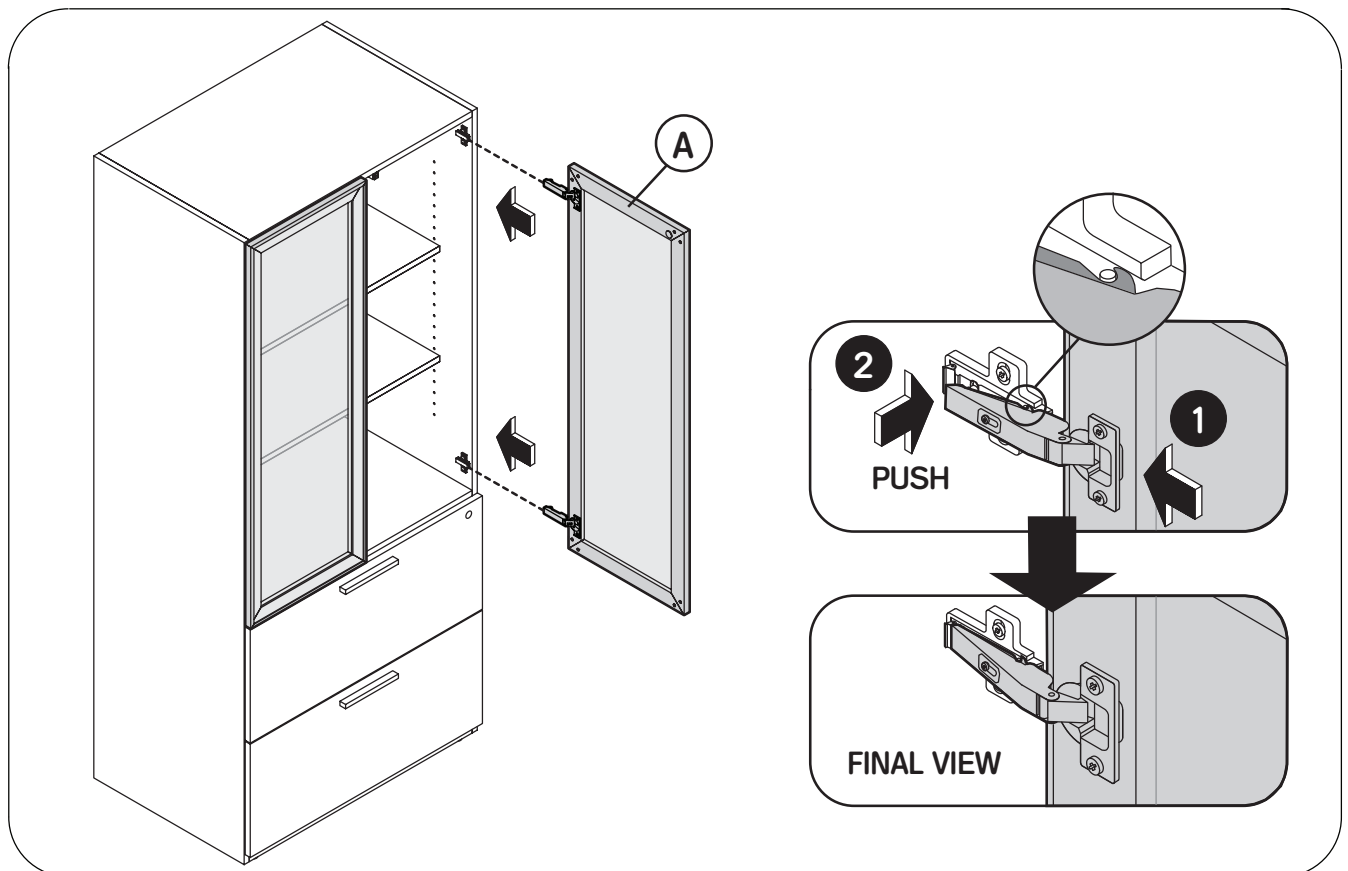
Product



GLASS DOORS - Part / Product Identification and What's Included

Ref.	Illustration	Description	Part No. / Prod. Code	Qty.
A		Glass Doors	N/A	As per Order

GLASS DOORS INSTALLATION



Expansion Casegoods Section – **Multi-Level Workstations, Mounted Storage & Accessories and Lighting, Electrics & Communications**

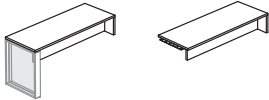
No. 2002

Expansion Wood Section – **Mounted Storage & Accessories and Lighting, Electrics & Communications**

B_MPG – Run-Off Worksurface with End Support – Low Secondary Desk
 B_MBG – Overlapping Bridge with End Support – Low Secondary Desk

B_WPA or ZEPA – Wall Panel
 BLEED or ZELED – Linear LED Light

Product



B_MPG

B_MBG




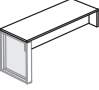




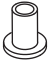






**B_WPA
ZEPA**

**BLEED
ZELED**

TOOLS REQUIRED:

Cross or Square Drive #2 and #3,
 3/32" Hexagonal Key, Malet,
 Wrench, Knife, Steel Saw,
 Measuring Tape, and Level

Run-Off Work. or Overlapping Bridge with End Support and Wall Panel - Part / Product Identification and What's Included

Ref.	Illustration	B_MPG or B_MBG	B_WPA or ZEPA	BLEED or ZELED	Kit No. / Assy. No.
		Quantity			
A	 Wall Panel As per Oder		1		
	OR  Run-Off Worksurface or Overlapping Bridge As per Oder	1			
B	 Wall Panel Fixation on Worksurface A15-64184	2	2 to 4		
C	 Wall Panel Fixation A15-64183	2	2 to 4		
D	 Wall Panel Storage Support A15-64182		2		
E	 5/16" – 18 x 2" Leveler 501625 or 5/16" – 18 x 1 1/2" Leveler 501627 or 5/16" – 18 x 1" Leveler 501624		2		X80-64124
F	 5/16" – 18 x 0,430" Insert E02-50166		2		
G	 #8 x 5/8" Recex Pan Head W. Screw, Black 402100		4		
H	 Fixation Clip B02-64000		2 to 5		
I	 1/4" – 20 x 0.625 Quadrex Flat Head Mechanical Screw E04-50066		4 to 10		
J	N80-64223+XX				
	 Finishing Top Rail A23-64149+XX		1		R80-64004 +XX
K	AND  Cover for Finishing Top Rail A25-64005		2		
L	AND  #10 – 32 x 3/16" Hex Socket Set Screw Cup Point, Black E01-50748		2		

Reference Installation Guide:

No. 2026 Expansion Casegoods " Secondary Desks B_MSD, B_ASH "

For additional information on this installation contact Teknion I Roy & Breton **Technical Support.**







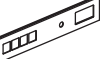






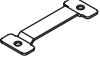


Issue Date: 2015 September 28

(L04-64121_R04)

B_MPG – Run-Off Worksurface with End Support – Low Secondary Desk
 B_MBG – Overlapping Bridge with End Support – Low Secondary Desk

B_WPA or ZEPA – Wall Panel
 BLED or ZELED – Linear LED Light

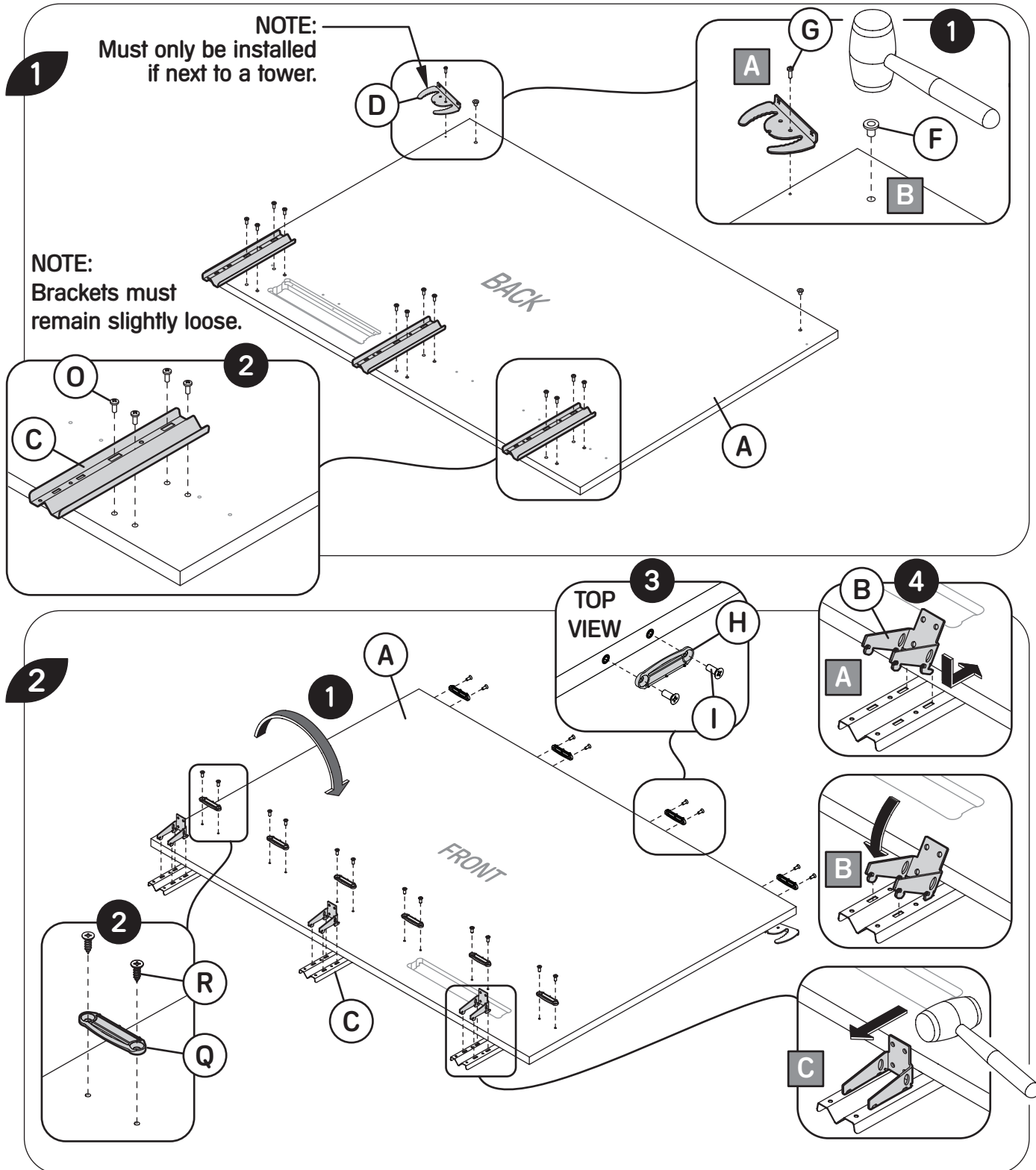
Run-Off Works. & Overlapping Bridge with End Support and Wall Panel - Part / Product Identification and What's Included (continued)

Ref.	Illustration	Quantity				Kit No. / Assy. No.
		B_MPG or B_MBG	B_WPA or ZEPA	BLED or ZELED		
		X80-64125	(24" to 42" w)	X80-64126 (48" to 60" w)	X80-64127 (66" to 84" w)	
M	 #8 x 5/8" Recess Pan Hd. W. Screw, Black 402100	8	8	12	16	
N	 #12 x 3/4" Quadrex Pan Hd. W. Screw, Black E04-50017	8	8	12	16	
O	 1/4" – 20 x 5/8" Quadrex Pan Hd. M. Screw, Zinc E01-50403	8	8	12	16	
P	 Accessory Rail N80-64184+XX			1		
Q	 Fixation Clip B02-64000			3 to 8		R80-64003 +XX (Only applicable with Accessory Rail)
R	 #14 – 3/4" Quadrex Flat Head W. Screw, Zinc E04-50057			6 to 16		
S	 Cover N/A	1		1		
T	 Power Bar Clip N/A	3		3		CVLP (Only applicable when Power and Data is specified)
U	 Quadrex Pan Head Wood Screw N/A	6		6		
V	 Power Bar N/A	1		1		
W	 Data Blank Plate N/A	1		1		
X	 Linear LED Light Body BLEDXX0S0A or ZELEDXX0S0A					1
Y	 216" Length Wires and Power Supply N/A					
Z	 Magnetic Bracket MPA15-E614				2 or 3	BLED or ZELED
AA	 #10 – 32 x 3/16" Hex Socket Set Screw Cup Point, Black FS10-32x316LG				4 or 6	
	 7" Grey Adhesive Cord Clip PB02-E112				2 (for ZELED only)	

B_MPG – Run-Off Worksurface with End Support – Low Secondary Desk
 B_MBG – Overlapping Bridge with End Support – Low Secondary Desk

B_WPA or ZEPA – Wall Panel
 BLEED or ZELED – Linear LED Light

RUN-OFF WORK., OVERLAPPING BRIDGE OR WALL PANEL INSTALLATION

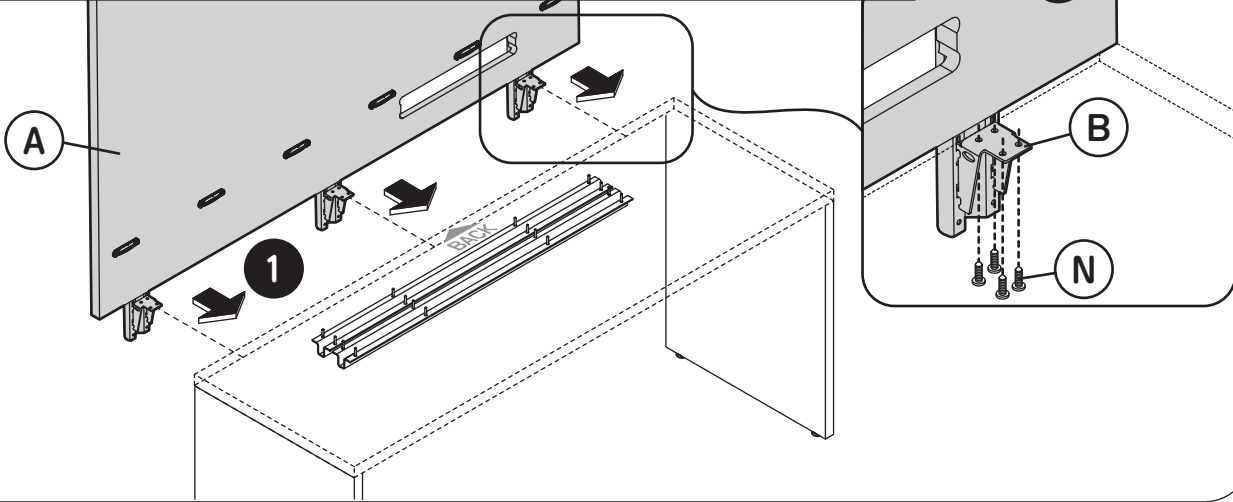


B_MPG – Run-Off Worksurface with End Support – Low Secondary Desk
 B_MBG – Overlapping Bridge with End Support – Low Secondary Desk

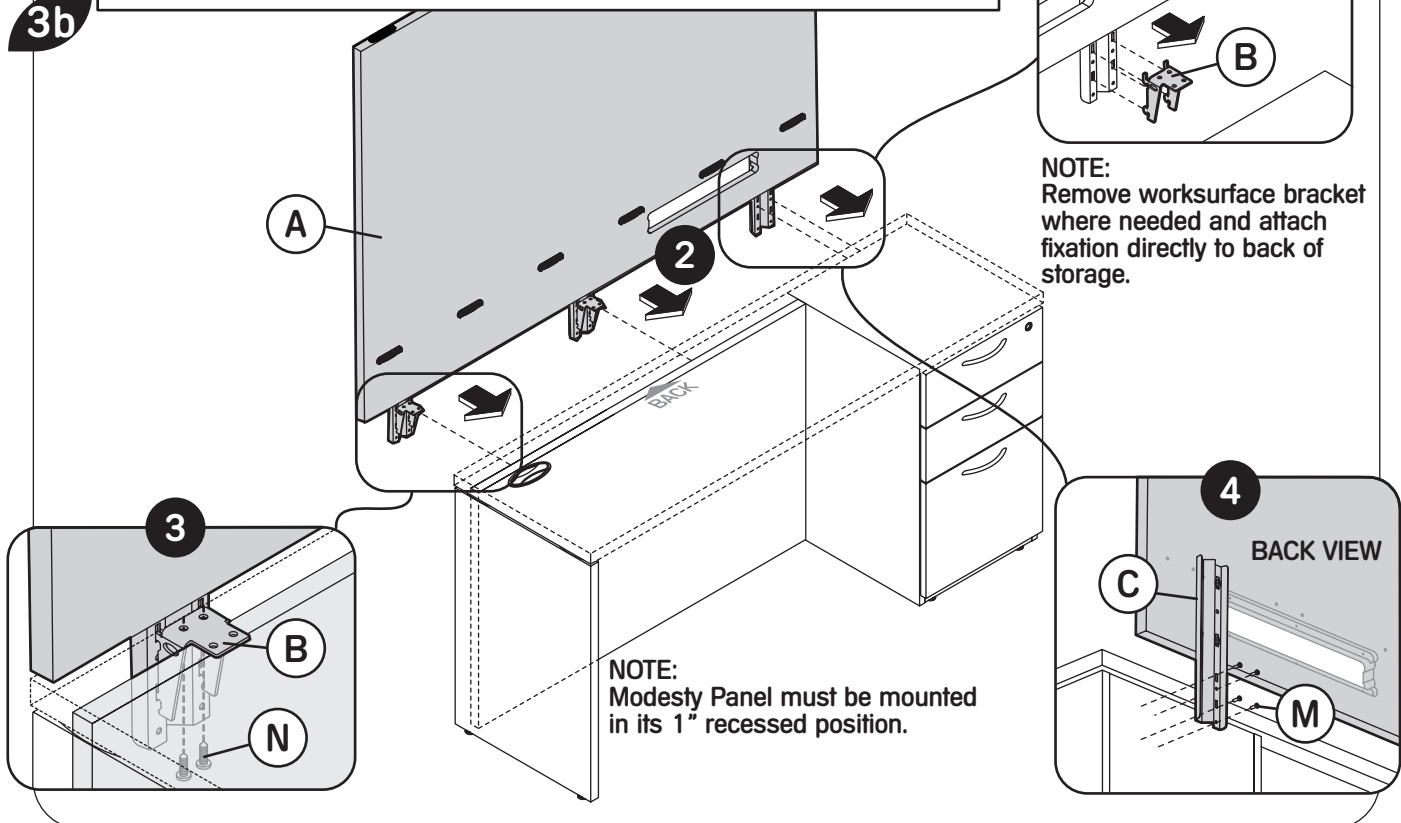
B_WPA or ZEPA – Wall Panel
 BLED or ZELED – Linear LED Light

CAUTION: Anytime, Wall Panels installed on a Secondary Desk must always be done against a wall for stability issues.

3a ON SECONDARY DESK (B_MSD OR B_ASH) (EXPANSION CASEGOODS),
 CREDENZAS or STORAGE FOR CREDENZA UNIT (EXPANSION WOOD)

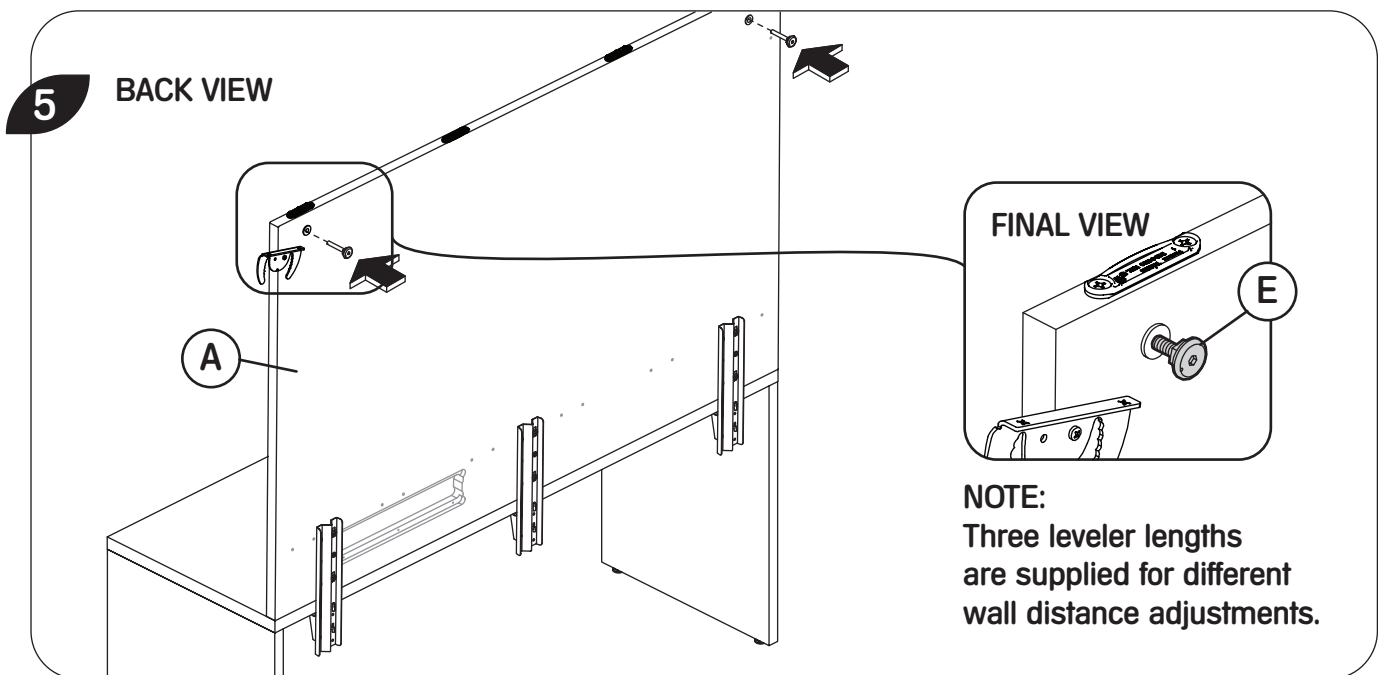
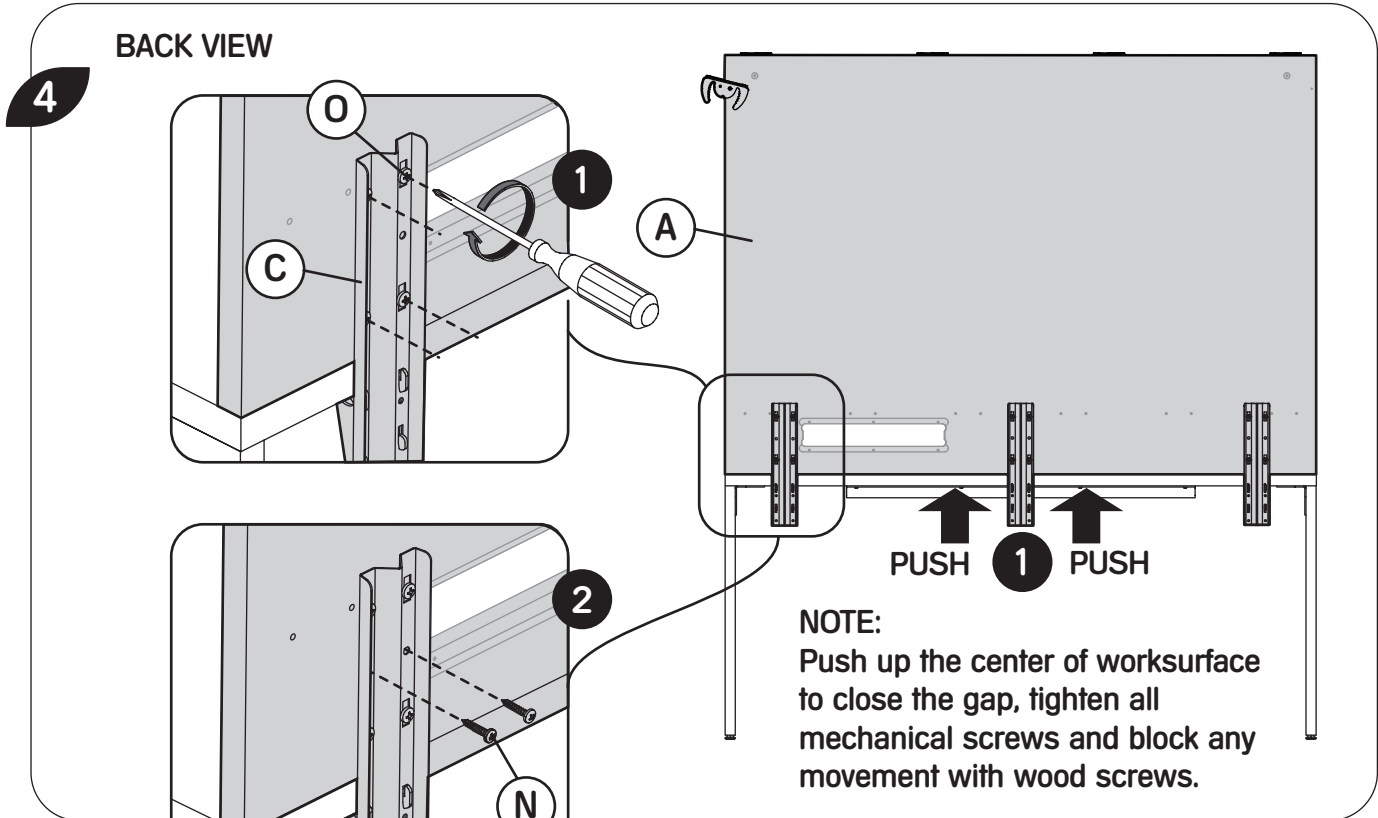


3b ON PRODUCTS WITH MODESTY PANEL (EXPANSION CASEGOODS),
 MODESTY PANELS ON RETURNS OR BRIDGES (EXPANSION WOOD)



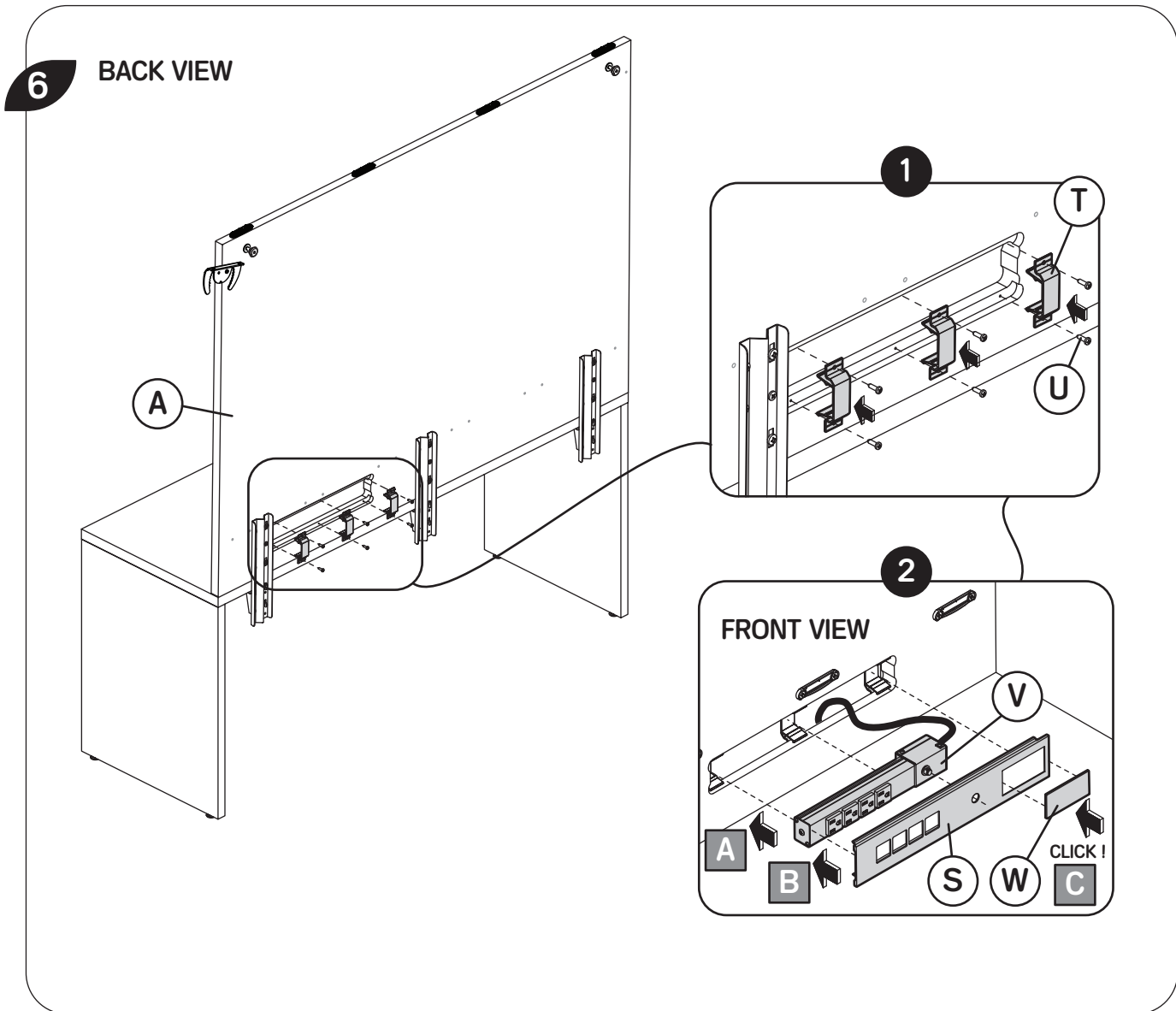
B_MPG – Run-Off Worksurface with End Support – Low Secondary Desk
B_MBG – Overlapping Bridge with End Support – Low Secondary Desk

B_WPA or ZEPA – Wall Panel
BLED or ZELED – Linear LED Light



B_MPG – Run-Off Worksurface with End Support – Low Secondary Desk
B_MBG – Overlapping Bridge with End Support – Low Secondary Desk

B_WPA or ZEPA – Wall Panel
BLED or ZELED – Linear LED Light



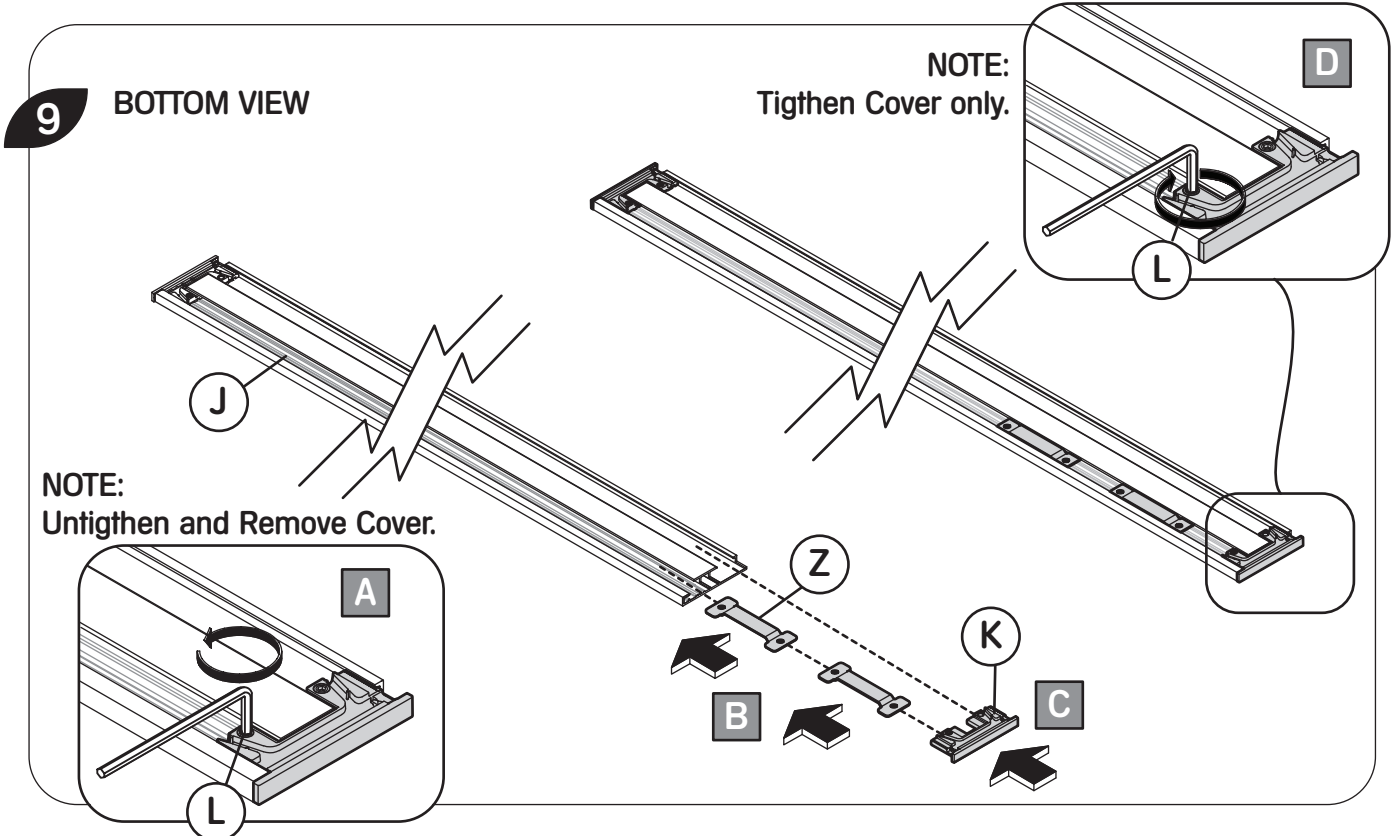
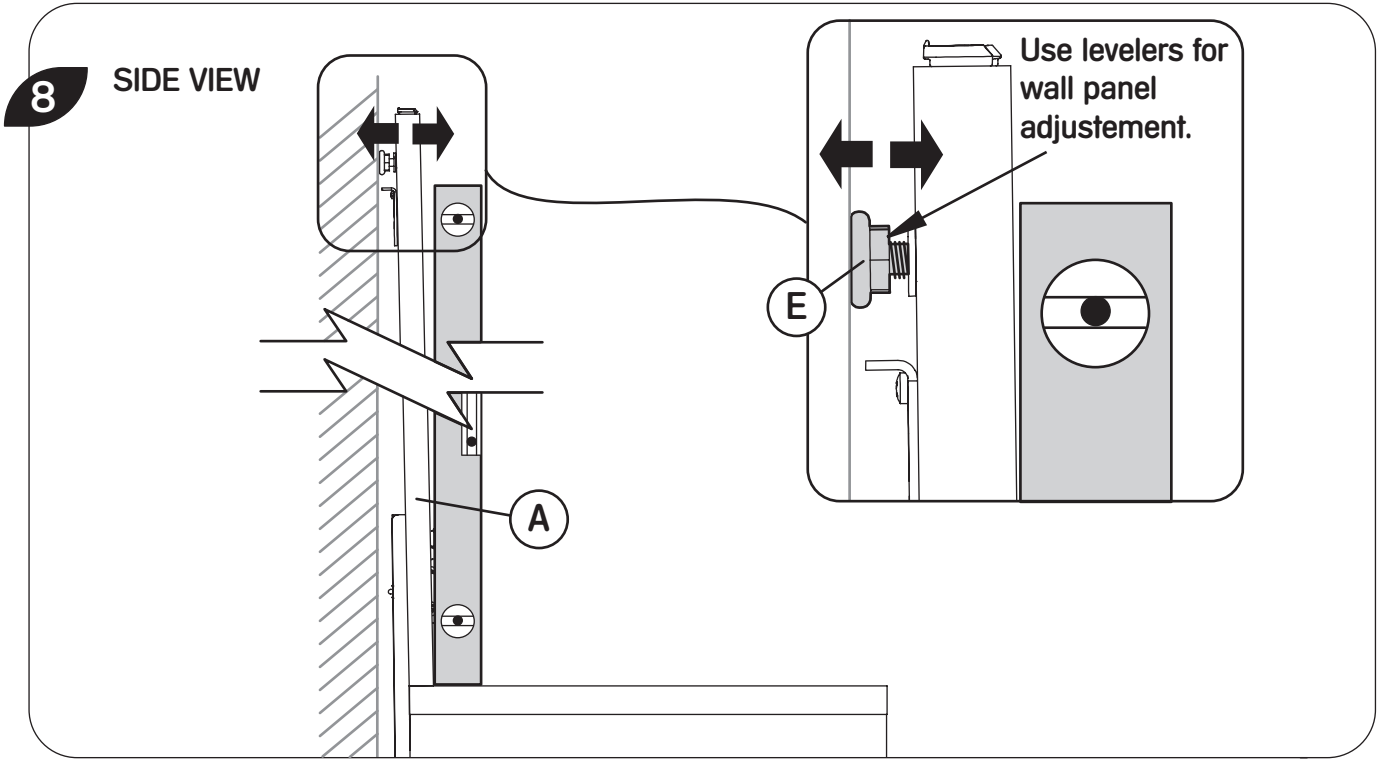
7

NOTE:

- 1- All electrical and lighting products must be connected to wall outlets at this step.
- 2- Push and level workstation on the building wall.
- 3- For Secondary Desks (B_MSD OR B_ASH) only, refer to steps 5 and 6 of the installation guide #2026 or L04-64020.

B_MPG – Run-Off Worksurface with End Support – Low Secondary Desk
B_MBG – Overlapping Bridge with End Support – Low Secondary Desk

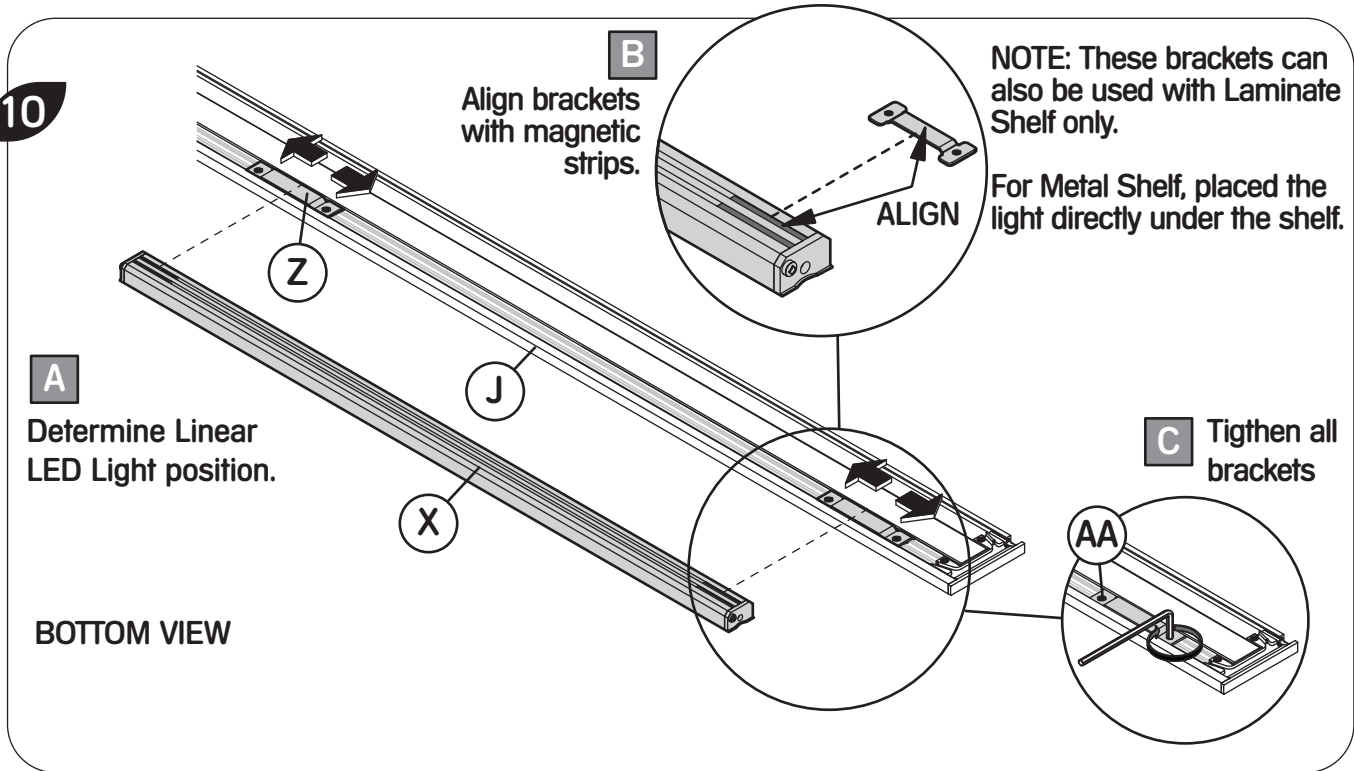
B_WPA or ZEPA – Wall Panel
B_LED or ZELED – Linear LED Light



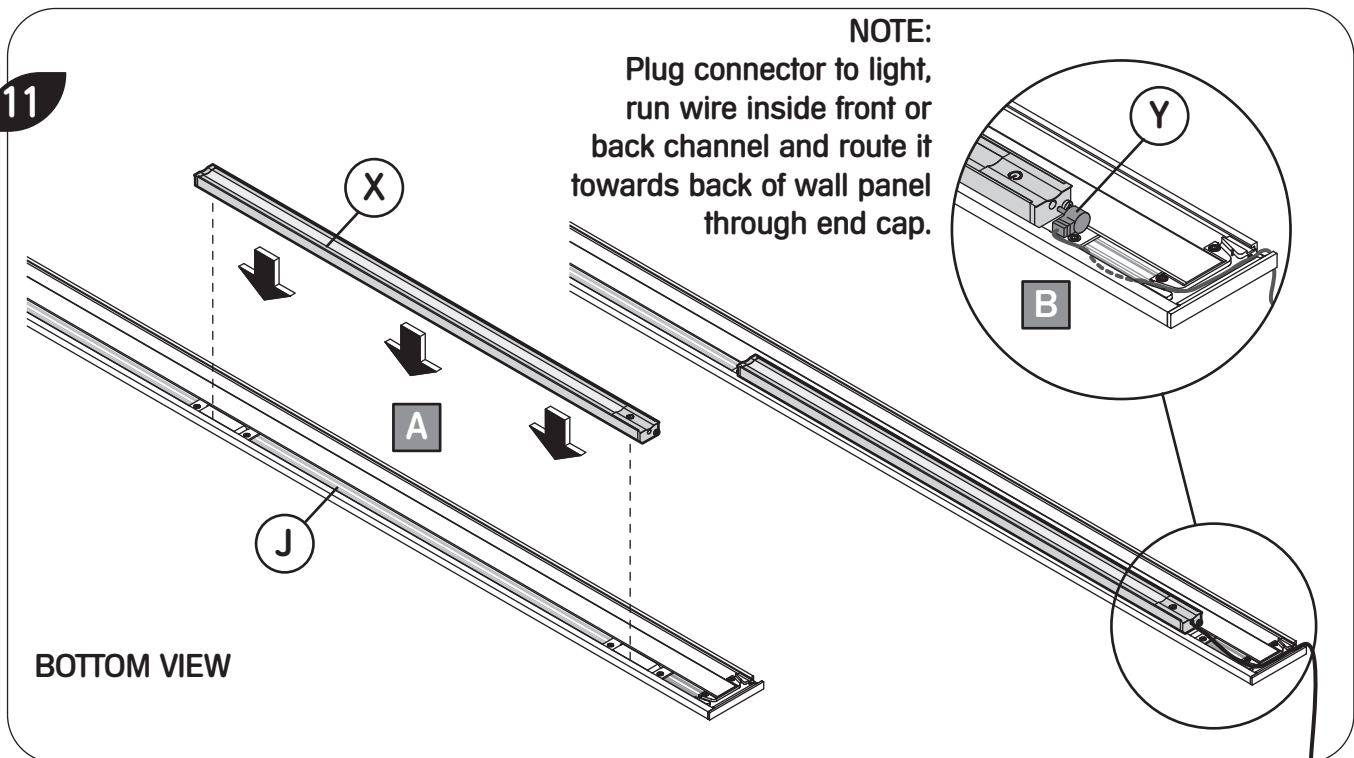
B_MPG – Run-Off Worksurface with End Support – Low Secondary Desk
 B_MBG – Overlapping Bridge with End Support – Low Secondary Desk

B_WPA or ZEPA – Wall Panel
 BLED or ZELED – Linear LED Light

10



11



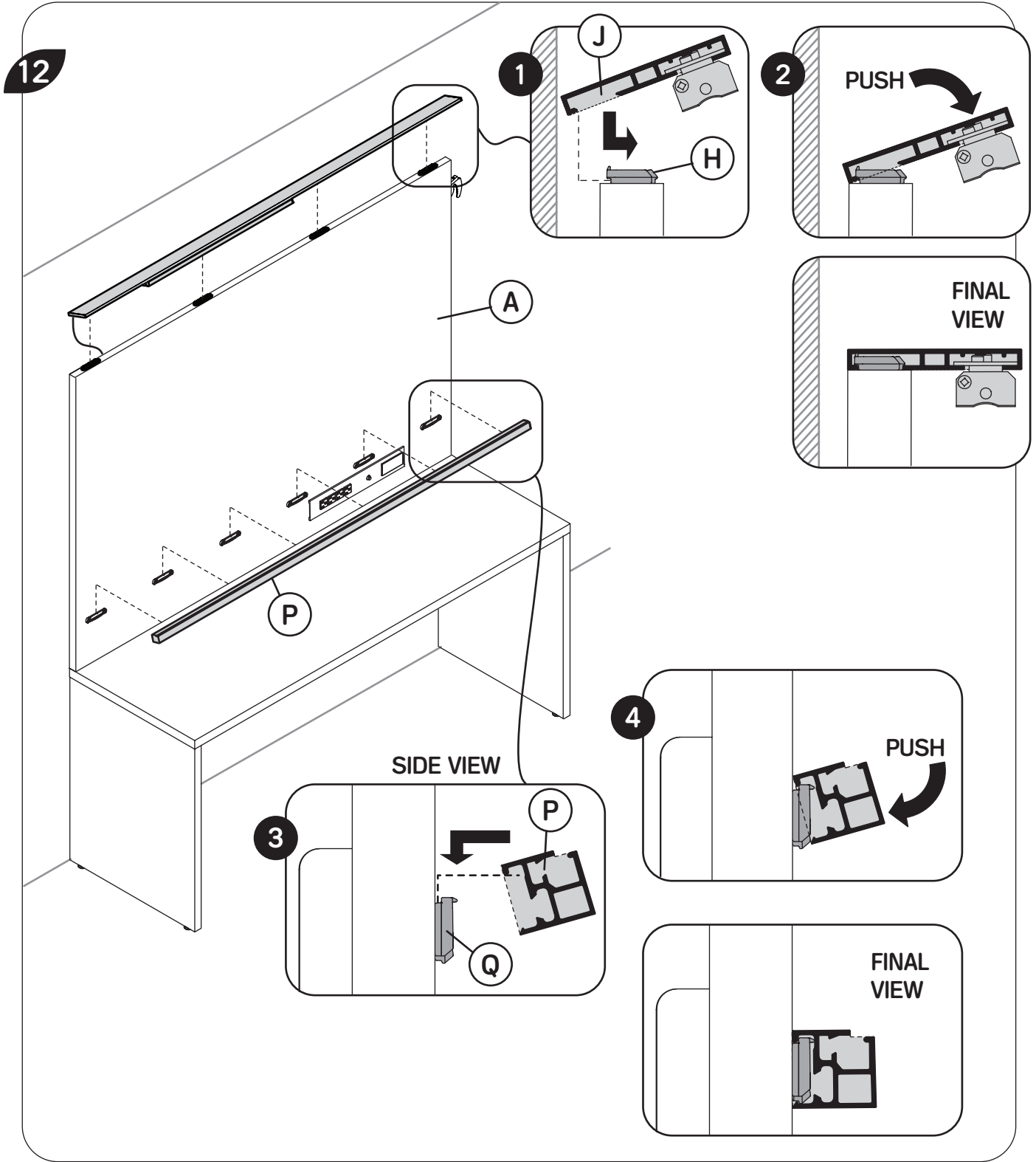
Expansion Casegoods Section – **Multi-Level Workstations, Mounted Storage & Accessories and Lighting, Electrics & Communications**

No. 2002

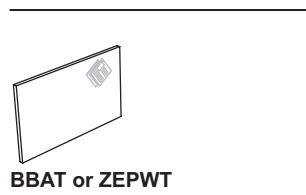
Expansion Wood Section – **Mounted Storage & Accessories and Lighting, Electrics & Communications**

B_MPG – Run-Off Worksurface with End Support – Low Secondary Desk
B_MBG – Overlapping Bridge with End Support – Low Secondary Desk

B_WPA or ZEPA – Wall Panel
BLED or ZELED – Linear LED Light



Product



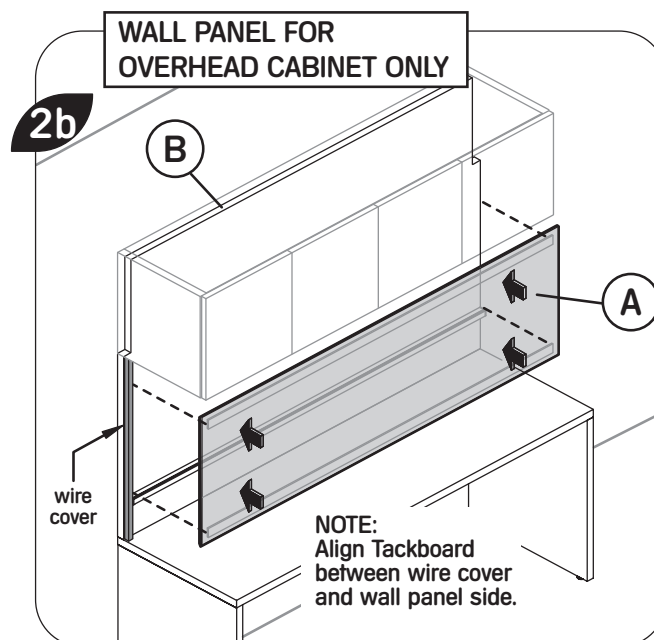
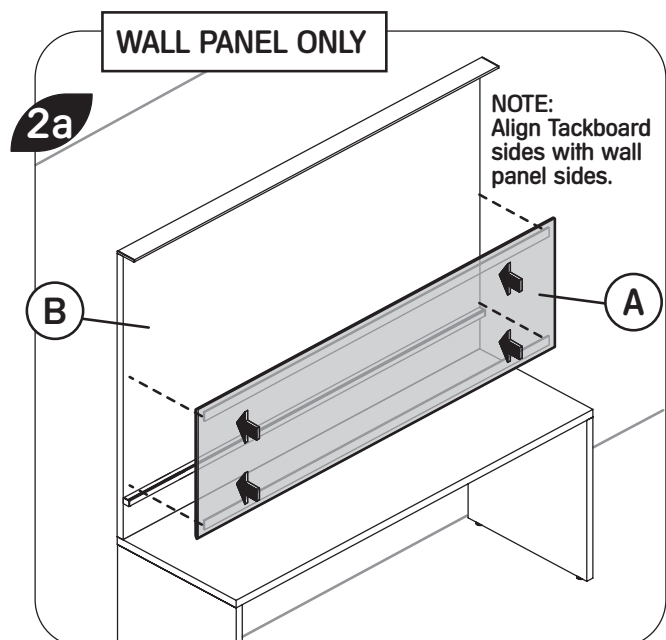
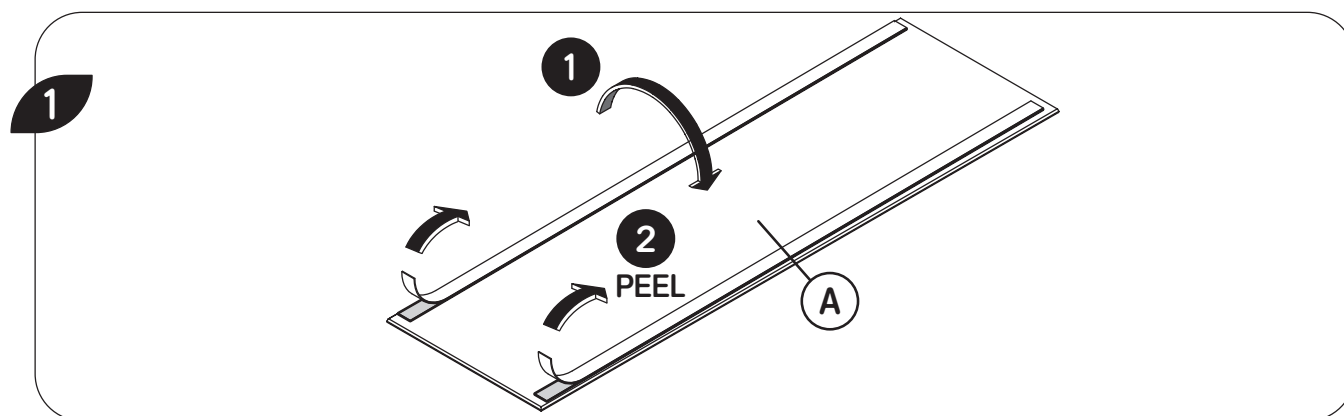
TACKBOARD – WALL PANEL MOUNTED - Part / Product Identification and What's Included

Ref.	Illustration	Description	Part No. / Prod. Code	Qty.
A		Tackboard – Wall Panel Mounted	BBWAT or ZEPWT	1

WALL PANEL WITH OR WITHOUT ACCESSORY RAIL - Part / Product Identification and NOT Included

Ref.	Illustration	Description	Part No. / Prod. Code	Qty.
B		Wall Panel for Overhead Cabinet or _____	B_WPO or ZEPOW	1
		Wall Panel (Shown)	B_WPA or ZEPA	

TACKBOARD – WALL PANEL MOUNTED INSTALLATION



Expansion Desking – **Column & Screens and Freestanding Storage & Accessories**

Expansion Casegoods – **Mounted Storage & Accessories**

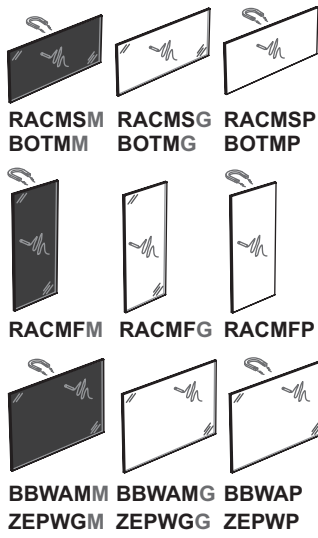
Expansion Wood – **Mounted Storage & Accessories**

No. 1803

RACMS – Glass Markerboard – Screen Mounted
 RACMSP – Porcelain Markerboard – Screen Mounted
 RACMF – Glass Markerboard – Freestanding Storage Mounted
 RACMFP – Porcelain Markerboard – Freestanding Storage Mounted

BOTM – Glass Markerboard – Hutch Mounted
 BOTMP – Porcelain Markerboard – Hutch Mounted
 BBWAM or ZEPWG – Glass Markerboard – Wall Panel Mounted
 BBWAP or ZEPWP – Porcelain Markerboard – Wall Panel Mounted

Product



TOOLS REQUIRED:
 Cross or Square Drive #1

MARKERBOARDS - Part / Product Identification and What's Included

Ref.	Illustration	Description	Part No. / Prod. Code	Qty.
A		Glass, Magnetic Glass or Porcelain Markerboard for Screen or Hutch Mounted	As per Order	1
	OR 	Glass, Magnetic Glass or Porcelain Markerboard for Freestanding Storage Mounted	As per Order	
	OR 	Glass, Magnetic Glass or Porcelain Markerboard for Wall Panel Mounted	As per Order	
B		Bottom Horizontal Extrusion	As per Order	1
C		#6 x 0,500 Quadrex Pan Washer Wood Screw, Zinc	401206	4
		Rare Earth Magnet (Available with Magnetic Glass or Porcelain Markerboard only)	E03-51049	As per Order

Reference Installation Guides:

- No. 1079, 1093 or 1800 Expansion Desking " 1" Floor Screens RPSBL, RPSLL, RPSBG, RBSLG"
- No. 1289 Expansion Casegoods " Standard, Single Tower or Double Tower Hutches B_HCL, B_HCG, B_HFL, B_HO, B_HSL, B_TLL, B_DLL, B_ELL, B_SLL, B_TGG, B_DGG, B_EGG, B_SGG, B_TLG, B_DLG, B_ELG, B_SLG"
- No. 1802 Expansion Desking " Central/Lateral Screen for Spine Desk Solid – Solid RCSBLN, RCSLLN"
- No. 2001 Expansion Casegoods or Expansion Wood " Wall Panel for Overhead Cabinet B_WPO, ZEPOW"
- No. 2002 Expansion Casegoods or Expansion Wood " Wall Panel B_WPA, ZEPA"

For additional information on this installation contact Teknion | Roy & Breton **Technical Support.**

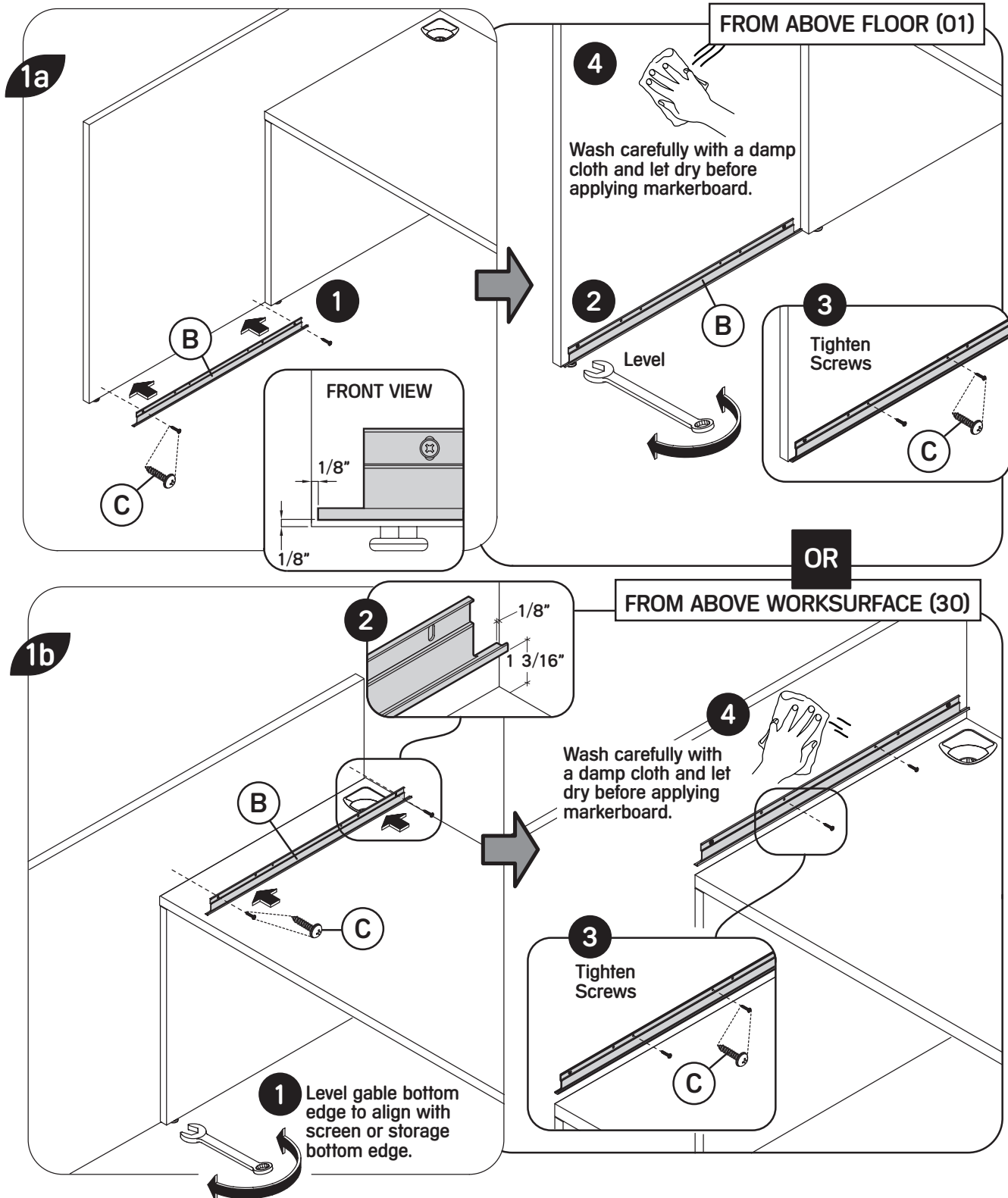
Issue Date: 2017 June 16

(L04-61085_R02)

RACMS – Glass Markerboard – Screen Mounted
 RACMSP – Porcelain Markerboard – Screen Mounted
 RACMF – Glass Markerboard – Freestanding Storage Mounted
 RACMFP – Porcelain Markerboard – Freestanding Storage Mounted

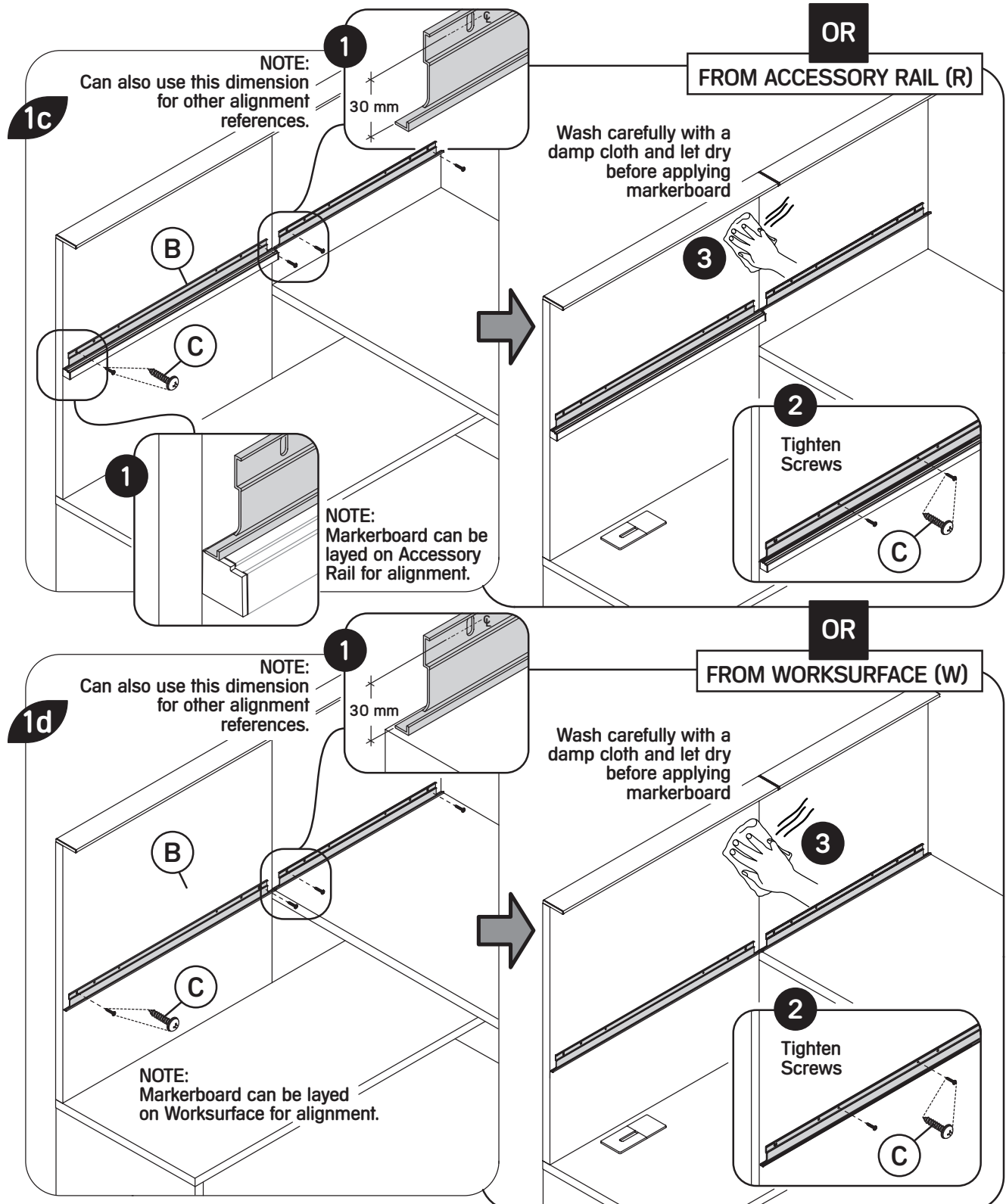
BOTM – Glass Markerboard – Hutch Mounted
 BOTMP – Porcelain Markerboard – Hutch Mounted
 BBWAM or ZEPWG – Glass Markerboard – Wall Panel Mounted
 BBWAP or ZEPWP – Porcelain Markerboard – Wall Panel Mounted

MARKERBOARD INSTALLATION



RACMS – Glass Markerboard – Screen Mounted
 RACMSP – Porcelain Markerboard – Screen Mounted
 RACMF – Glass Markerboard – Freestanding Storage Mounted
 RACMFP – Porcelain Markerboard – Freestanding Storage Mounted

BOTM – Glass Markerboard – Hutch Mounted
 BOTMP – Porcelain Markerboard – Hutch Mounted
 BBWAM or ZEPWG – Glass Markerboard – Wall Panel Mounted
 BBWAP or ZEPWP – Porcelain Markerboard – Wall Panel Mounted



RACMS – Glass Markerboard – Screen Mounted

RACMSP – Porcelain Markerboard – Screen Mounted

RACMF – Glass Markerboard – Freestanding Storage Mounted

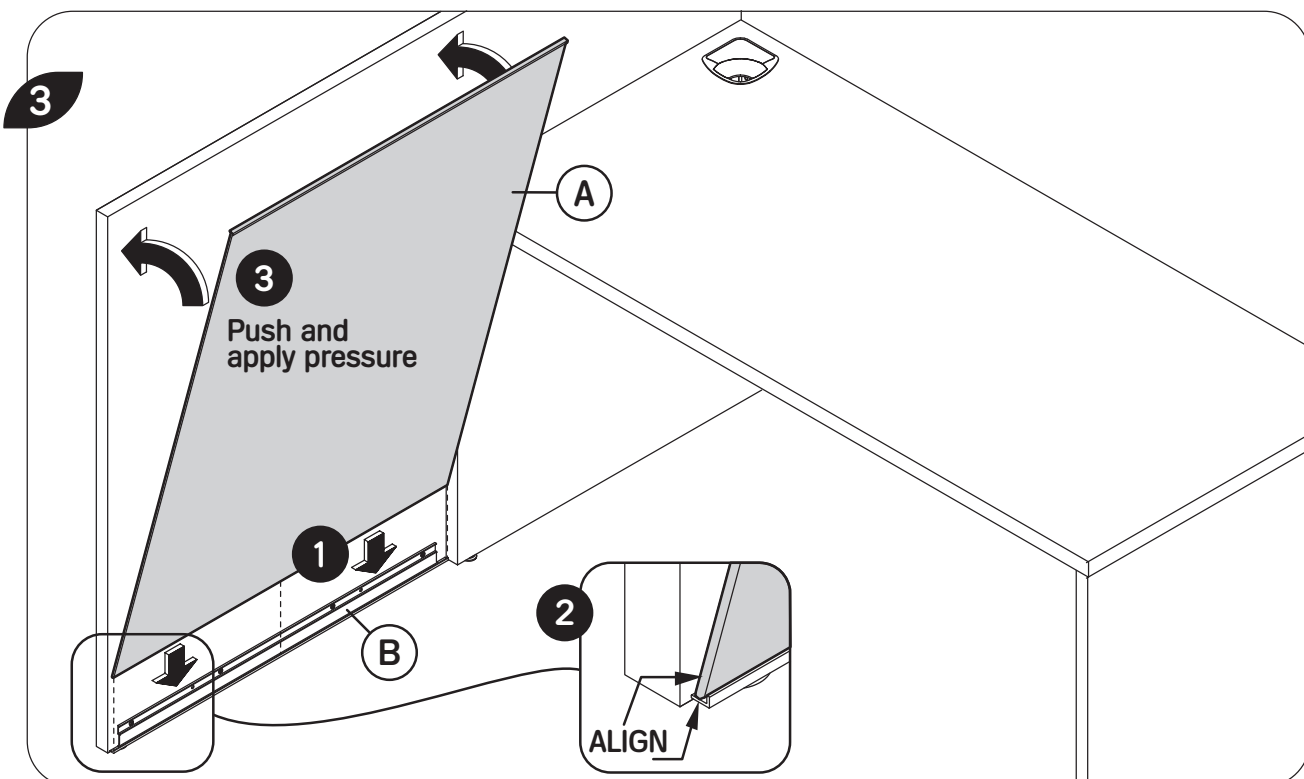
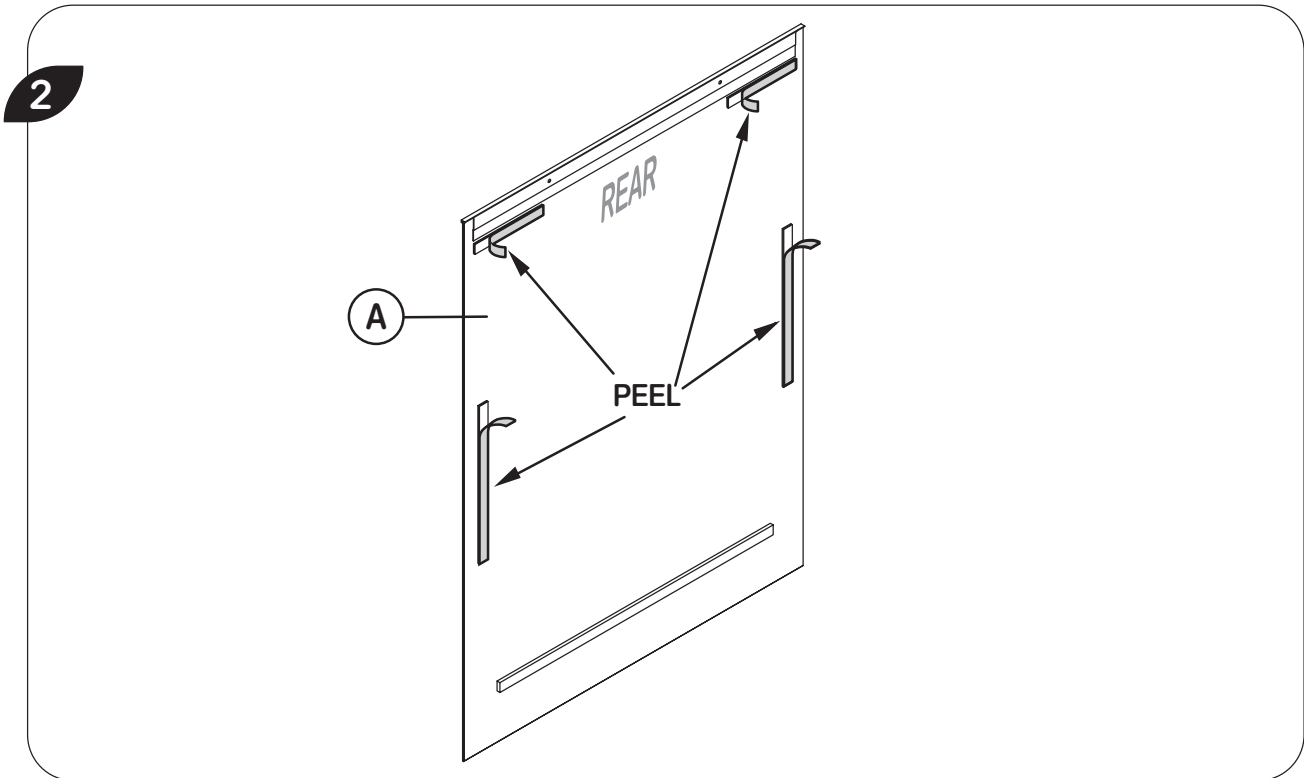
RACMFP – Porcelain Markerboard – Freestanding Storage Mounted

BOTM – Glass Markerboard – Hutch Mounted

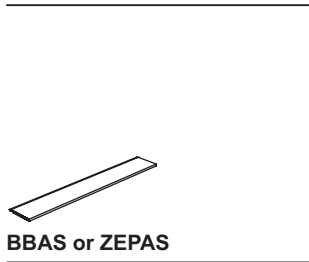
BOTMP – Porcelain Markerboard – Hutch Mounted

BBWAM or ZEPWG – Glass Markerboard – Wall Panel Mounted

BBWAP or ZEPWP – Porcelain Markerboard – Wall Panel Mounted



Product



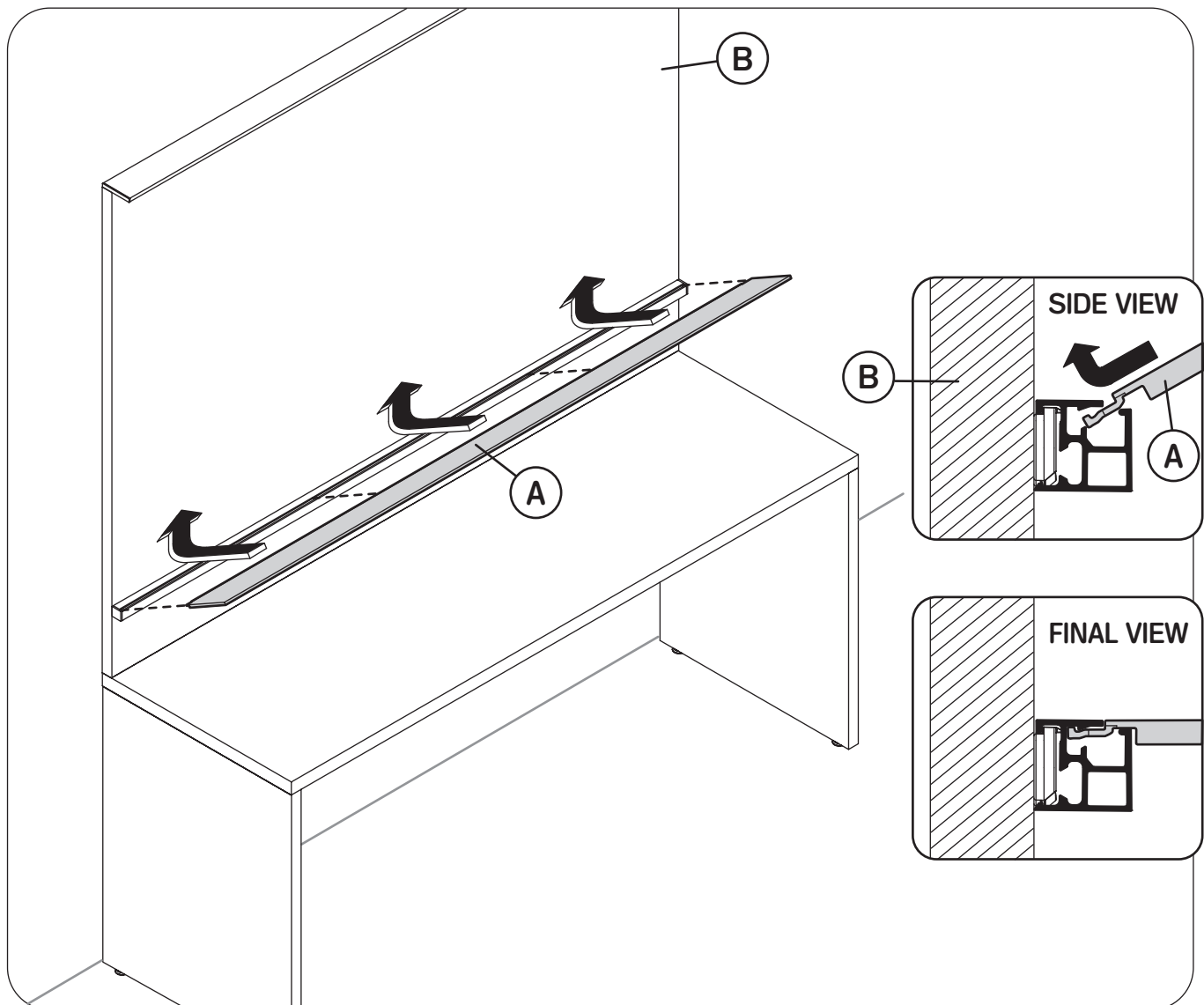
LIGHT SHELF FOR WALL PANEL - Part / Product Identification and What's Included

Ref.	Illustration	Description	Part No. / Prod. Code	Qty.
A		Light Shelf for Wall Panel	A23-64115 +XX	1

WALL PANEL WITH ACCESSORY RAIL - Part / Product Identification and NOT Included

Ref.	Illustration	Description	Part No. / Prod. Code	Qty.
B		Wall Panel for Overhead Cabinet with Accessory Rail	B_WPO or ZEPOW	1
		Wall Panel with Accessory Rail (Shown)	B_WPA or ZEPA	

LIGHT SHELF FOR WALL PANEL INSTALLATION



Reference Installation Guides:

No. 2001 Expansion Casegoods "Wall Panel for Overhead Cabinet B_WPO or ZEPOW"

No. 2002 Expansion Casegoods "Wall Panel B_WPA or ZEPA"

For additional information on this installation contact Teknion | Roy & Breton **Technical Support**.

Issue Date: 2015 September 28

(No. 2016_01)

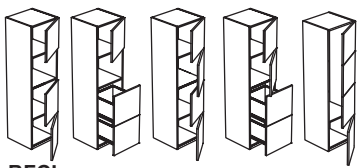
Expansion Casegoods & Expansion Wood Section – **Freestanding Storage & Accessories**

BFCL , BFCG or BFCX – Freestanding Cubic Tower with Doors
 BCFSO or ZESFO – Freestanding Open Tower
 BFRL or BFRG – Freestanding Tower with Full Door

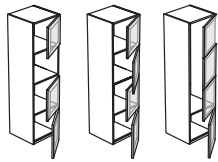
ZESFS or ZESFP – Freestanding Tower – Full Door

No. 2010

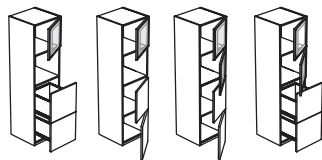
Product



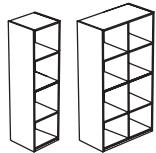
BFCL



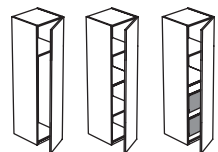
BFCG



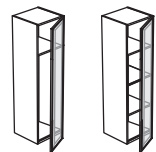
BFCX



BCFSO & ZESFO



BFRL & ZESFS



BFRG & ZESFP

TOOLS REQUIRED:

3/16" Hexagonal Key, Measuring Tape, Mallet, Cross or Square Drive #2, Power Driver, Level, and Ø3/8" Drill Bit and smaller drill bit for alignment hole

Freestanding Towers - Part / Product Identification and What's Included

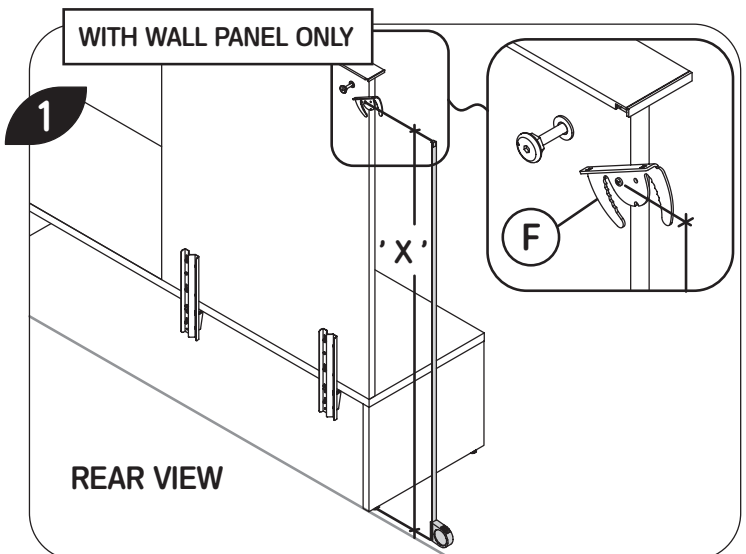
Ref.	Illustration	Description	Part No. / Prod. Code	Qty.	Kit No. / Assy. No.
A		Freestanding Tower	As per Order	1	
B		1/4" – 20 x 30 mm Joint Connector Bolt Chrome	415108	1	2x X80-64018
C		1/4" – 20 x 17 mm Joint Connector Nut Chrome	415109	1	
D		Ø 10 mm Plug Button, Zinc	E03-51016	4	
E	OR	Metal Shelf Supports (Available for Expansion Wood)	D50-0132	As per Order	As per Order
		Shelf Supports (Available for Expansion Casegoods)	501556		

Hardware included with Wall Panel (B_WPA or ZEPA) - Part / Product Identification

Ref.	Illustration	Description	Part No. / Prod. Code	Qty.	Kit No. / Assy. No.
F		Wall Panel Storage Support	A15-64182	2	X80-64124
G		#8 x 5/8" Recex Pan Head W. Screw, Black	402100	4	

FREESTANDING TOWERS INSTALLATION

NOTE:
 For more details on Wall Panel Installation, refer to guide #2001/L04-64122 for Wall Panels for Overhead Cabinet or to guide #2002/L04-64121 for Wall Panels.



Reference Installation Guides:

- No. 2026 Multi-Level Workstations "Secondary Desks B_MSD, B_ASH "
- No. 2001 Multi-Level Workstations and Mounted Storage & Acc. " Wall Panel for Overhead Cabinet B_WPO, ZEPOW, all Expansion Casegoods Overhead Cabinets, and Mounted Overhead Cabinets ZEPOS, ZEPOP "
- No. 2002 Multi-Level Workstations and Mounted Storage & Accessories " Wall Panel B_WPA, ZEPA "
- No. 2009 Mounted Storage & Accessories " All Expansion Casegoods & Expansion Wood Mounted Towers "

For additional information on this installation contact Teknion | Roy & Breton **Technical Support**.

Issue Date: 2015 September 28

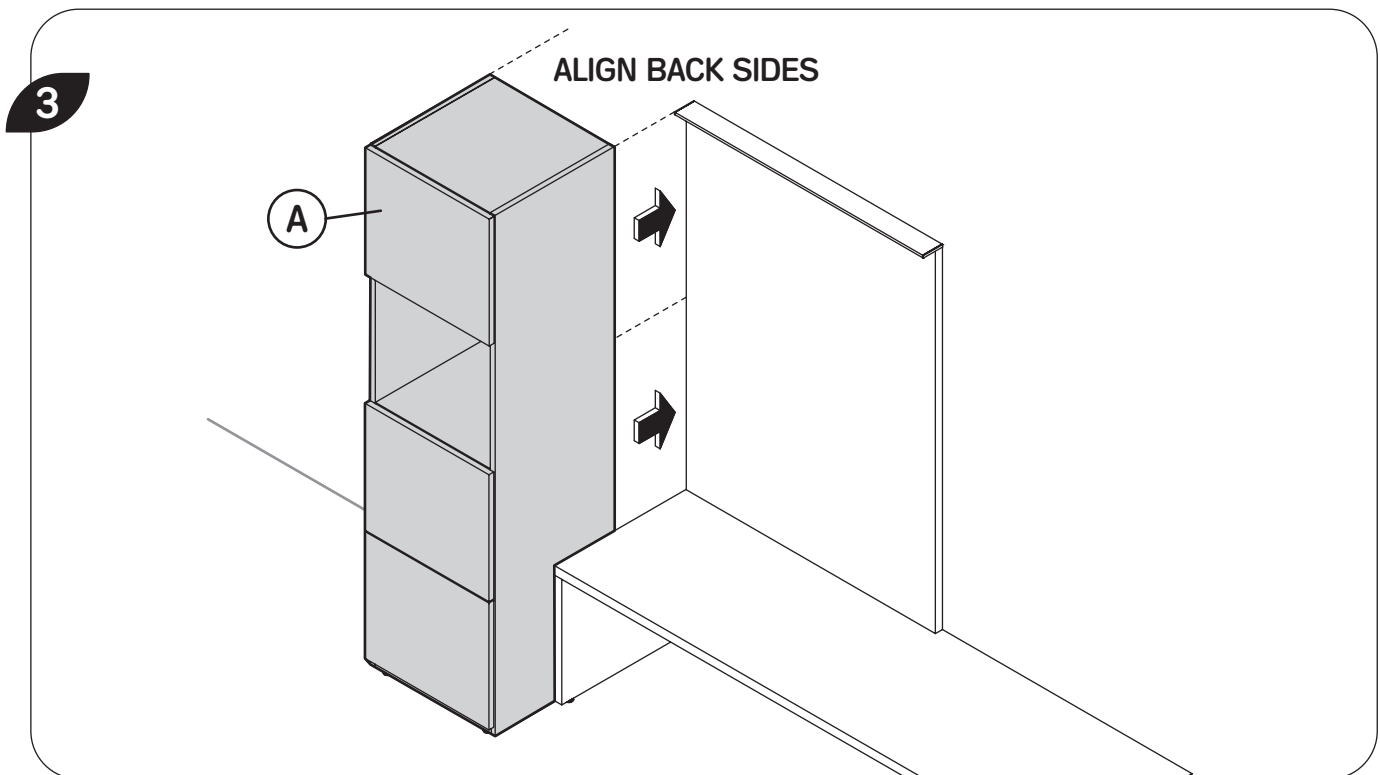
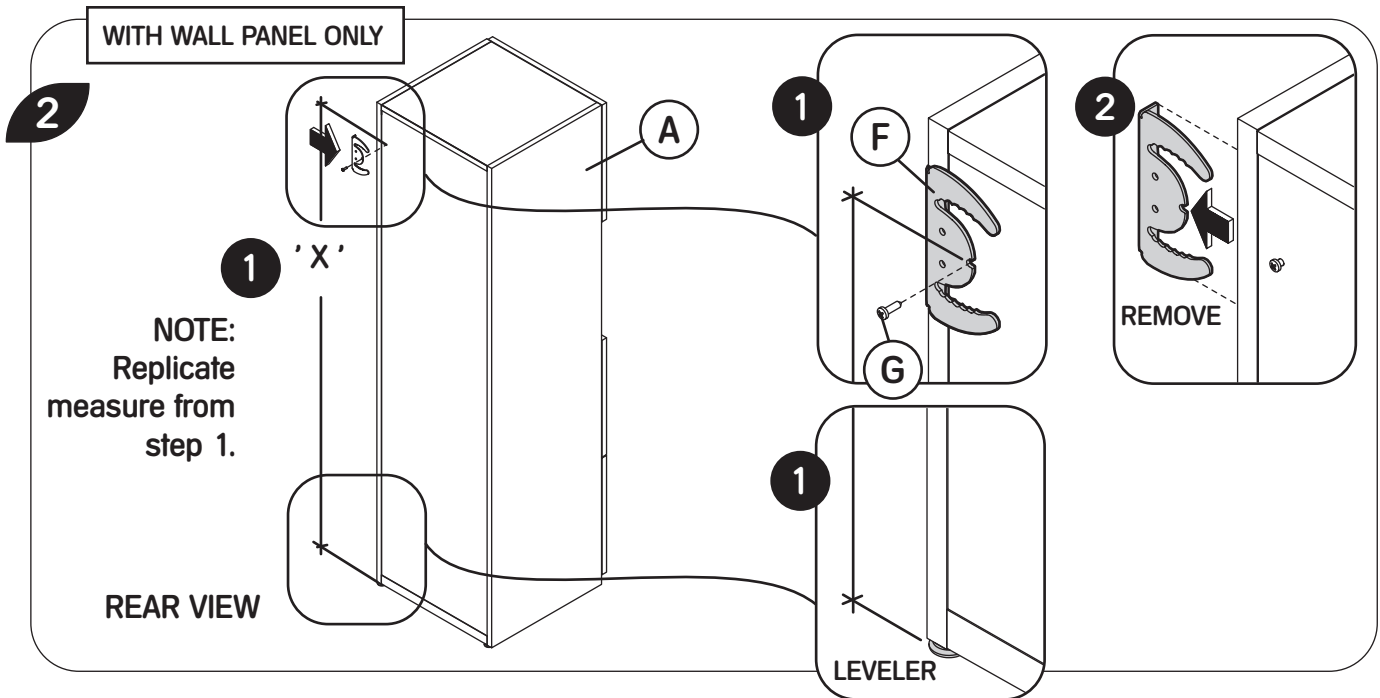
(L04-64111_R04)

Expansion Casegoods & Expansion Wood Section – **Freestanding Storage & Accessories**

BFCL, BFCG or BFCX – Freestanding Cubic Tower with Doors
BCFSO or ZESFO – Freestanding Open Tower
BFRL or BFRG – Freestanding Tower with Full Door

ZESFS or ZESFP – Freestanding Tower – Full Door

No. 2010

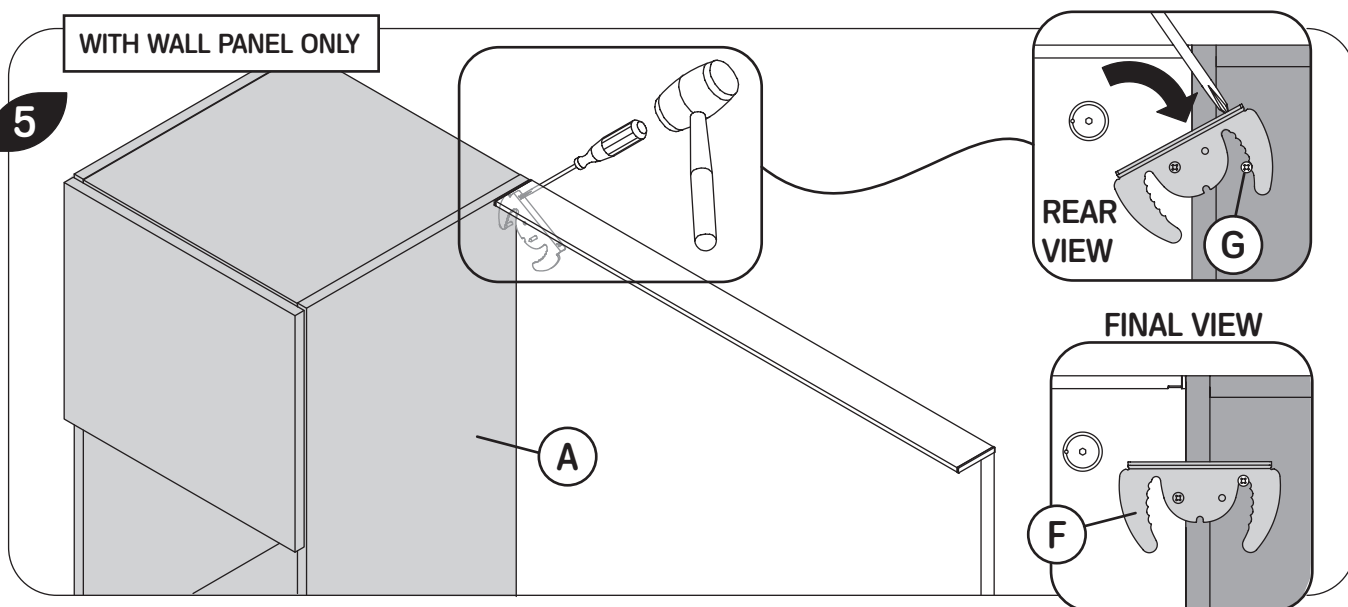
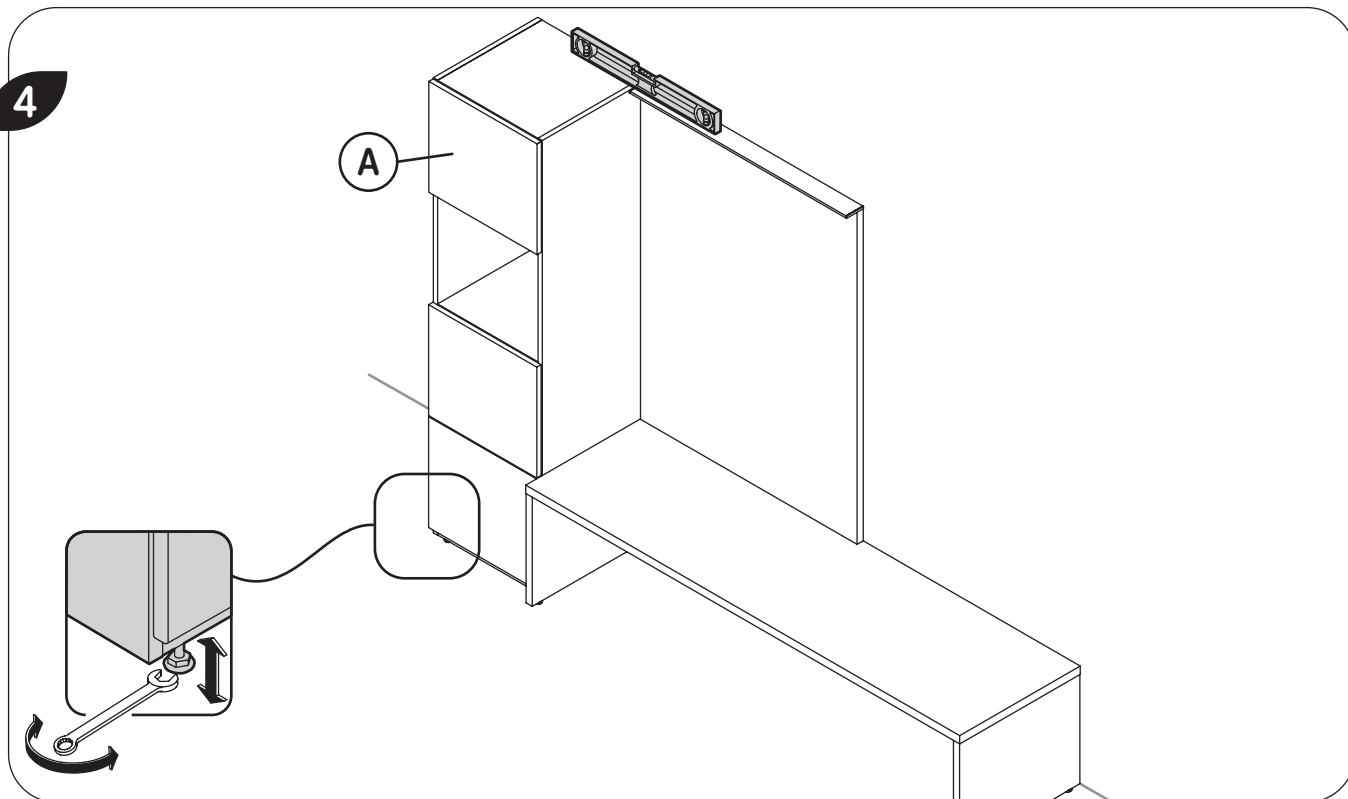


Expansion Casegoods & Expansion Wood Section – **Freestanding Storage & Accessories**

BFCL , BFCG or BFCX – Freestanding Cubic Tower with Doors
BCFSO or ZESFO – Freestanding Open Tower
BFRL or BFRG – Freestanding Tower with Full Door

ZESFS or ZESFP – Freestanding Tower – Full Door

No. **2010**

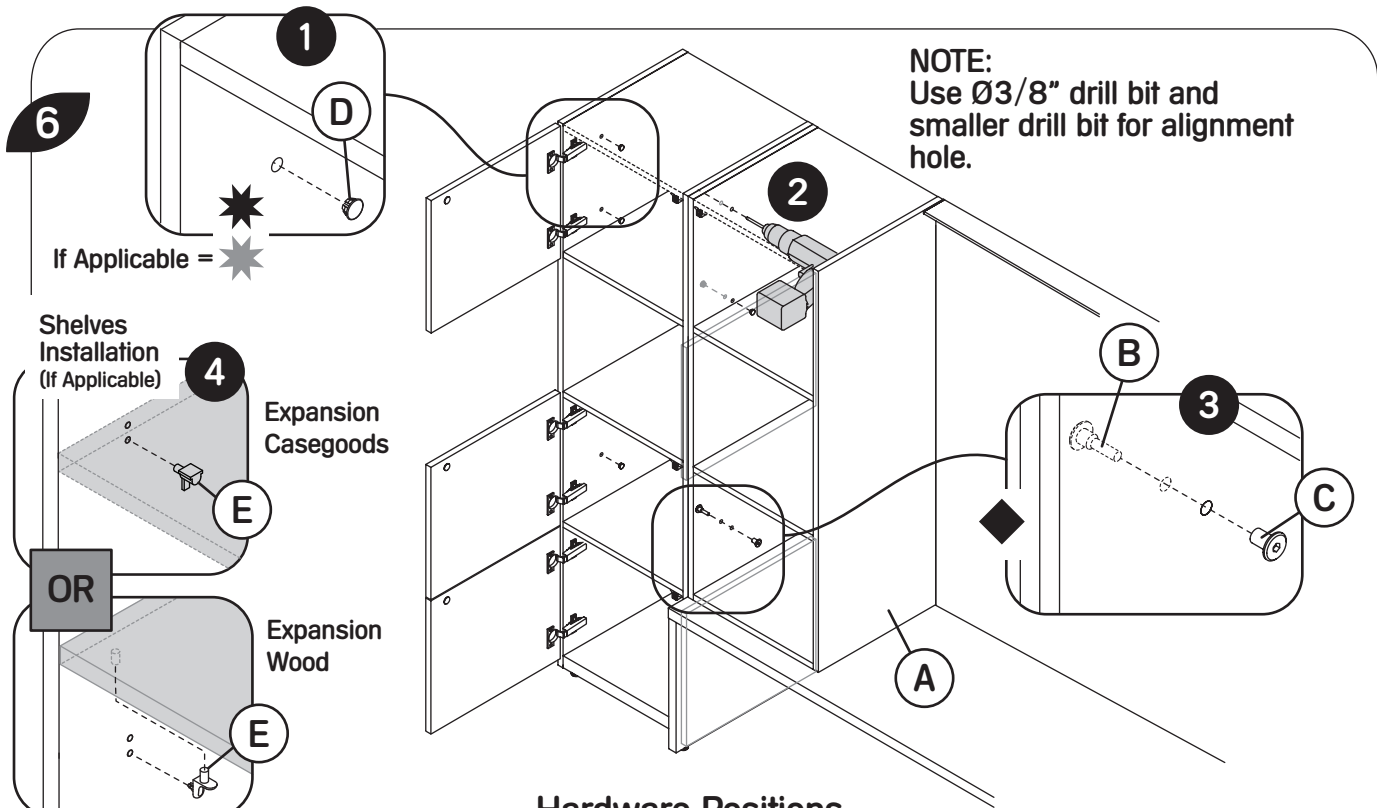


Expansion Casegoods & Expansion Wood Section – **Freestanding Storage & Accessories**

BFCL, BFCG or BFCX – Freestanding Cubic Tower with Doors
 BCFSO or ZESFO – Freestanding Open Tower
 BFRL or BFRG – Freestanding Tower with Full Door

ZESFS or ZESFP – Freestanding Tower – Full Door

No. 2010



NOTE:
 Use Ø3/8" drill bit and
 smaller drill bit for alignment
 hole.

If Applicable = ★

Shelves
 Installation
 (If Applicable)

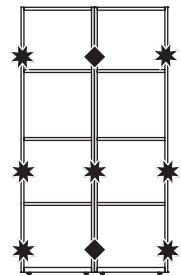
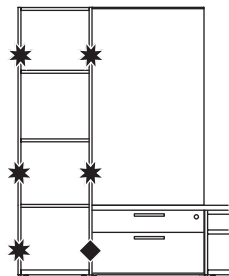
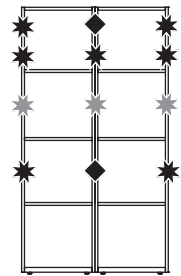
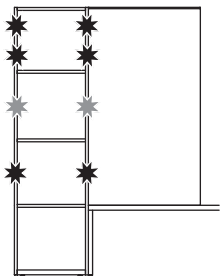
Expansion
 Casegoods

Expansion
 Wood

Hardware Positions

Expansion Casegoods

Expansion Wood



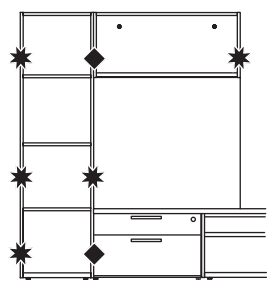
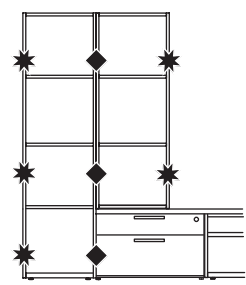
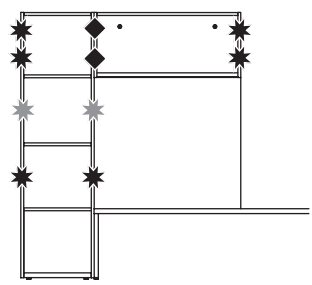
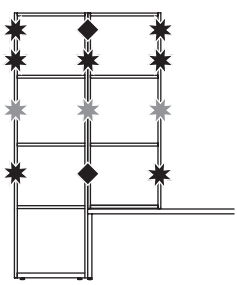
Connected directly
 to a Wall Panel

Connected to another
 freestanding tower

Connected directly
 to a Wall Panel

Connected to another
 freestanding tower

OR



Connected to a
 mounted tower

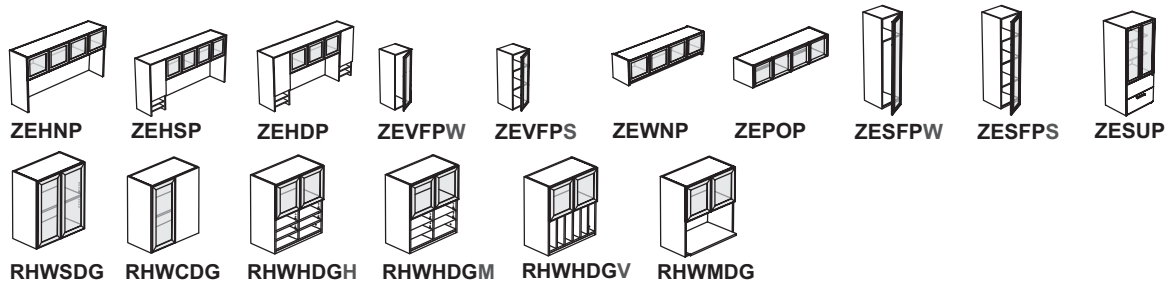
Connected to a
 overhead cabinet

Connected to a
 mounted tower

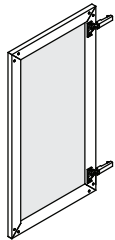
Connected to a
 overhead cabinet

Expansion Wood: ZEHNP, ZEHSP, ZEHDP, ZEVFPW, ZEVFPS, ZEWNP, ZEPOP, ZESFPW, ZESFPS and ZESUP – Glass Doors
 Modular Cabinets: RHWSDG, RHWCDG, RHWHDGH, RHWHDGM, RHWHDGV, and RHWMDG – Glass Doors

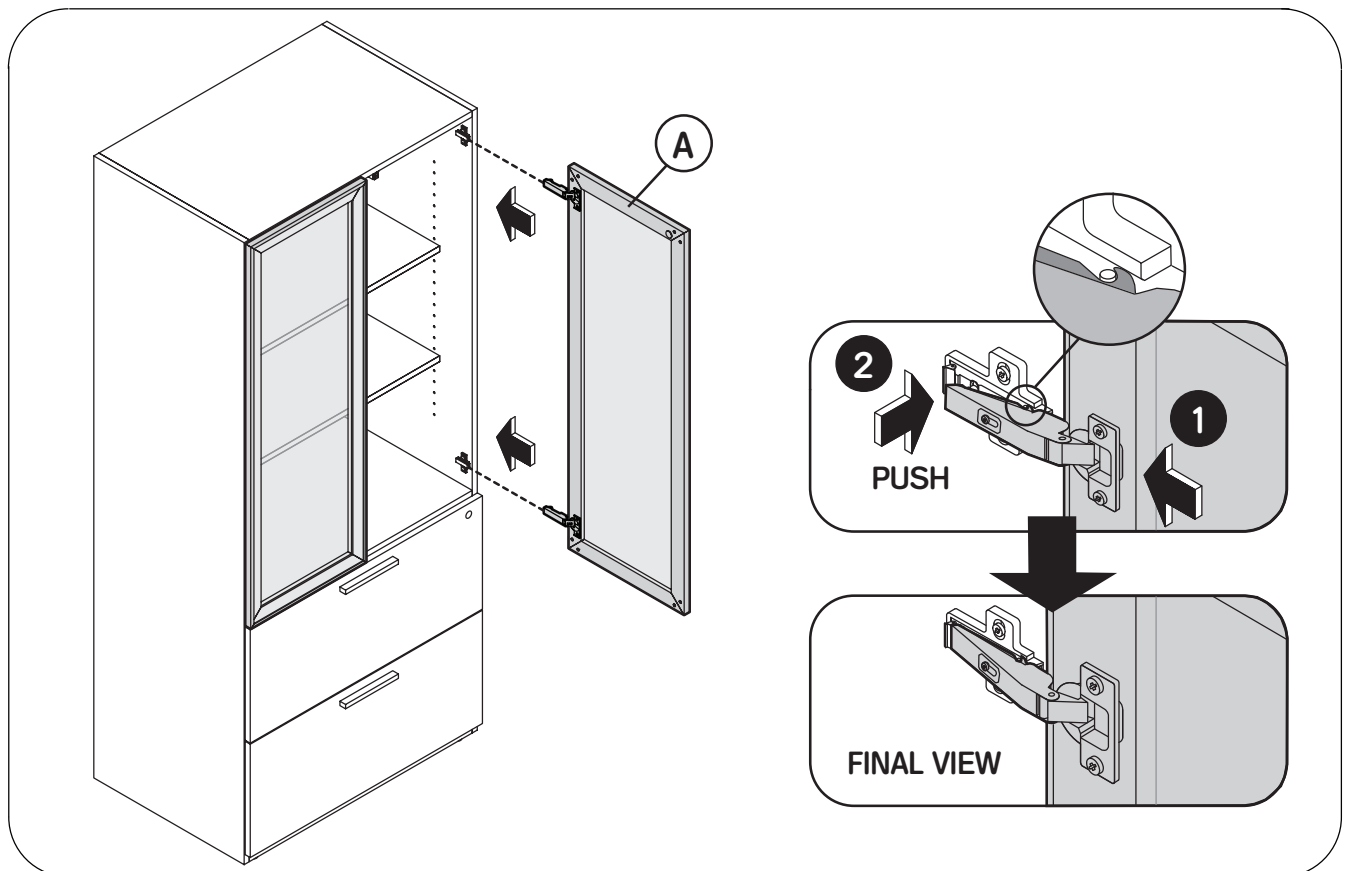
Product



GLASS DOORS - Part / Product Identification and What's Included

Ref.	Illustration	Description	Part No. / Prod. Code	Qty.
A		Glass Doors	N/A	As per Order

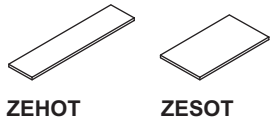
GLASS DOORS INSTALLATION



Section – **Mounted or Freestanding Storage & Accessories**

ZEHOT – Top for Mounted Storage
 ZESOT – Top for Wood Storage

Product



ZEHOT **ZESOT**

TOOLS REQUIRED:

Cross or Square Drive #2

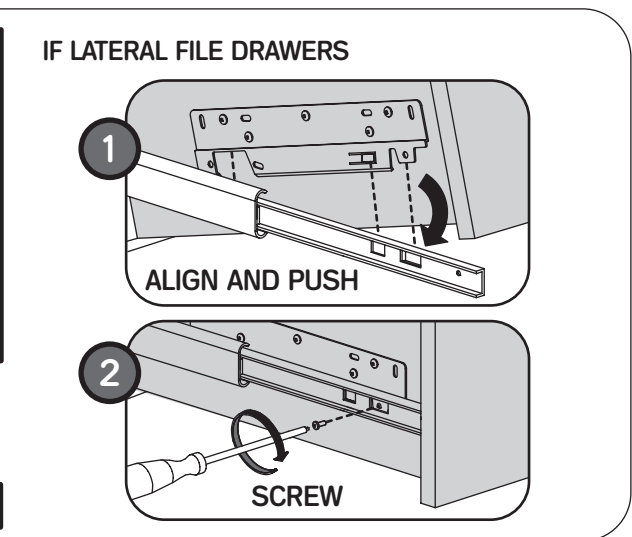
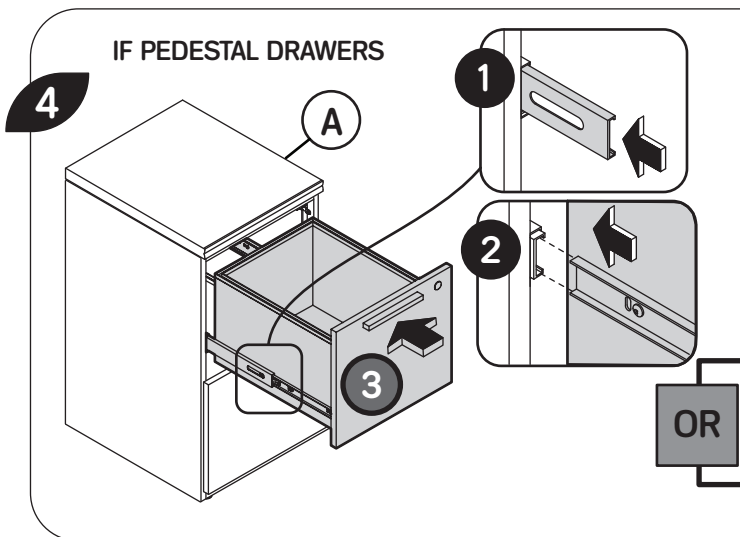
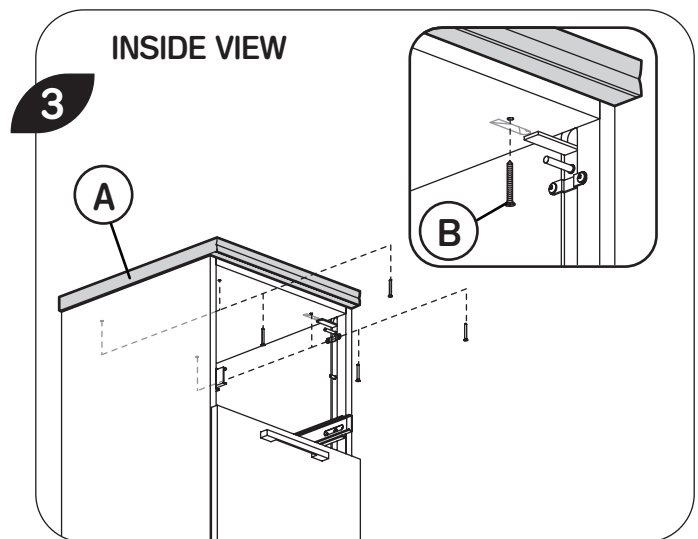
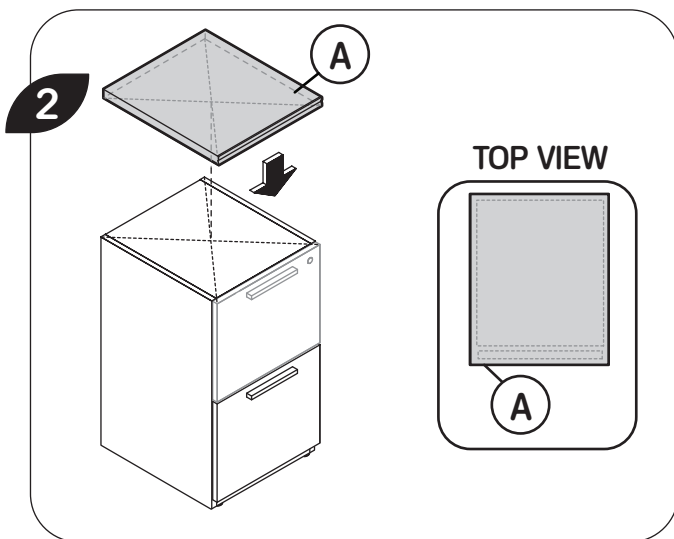
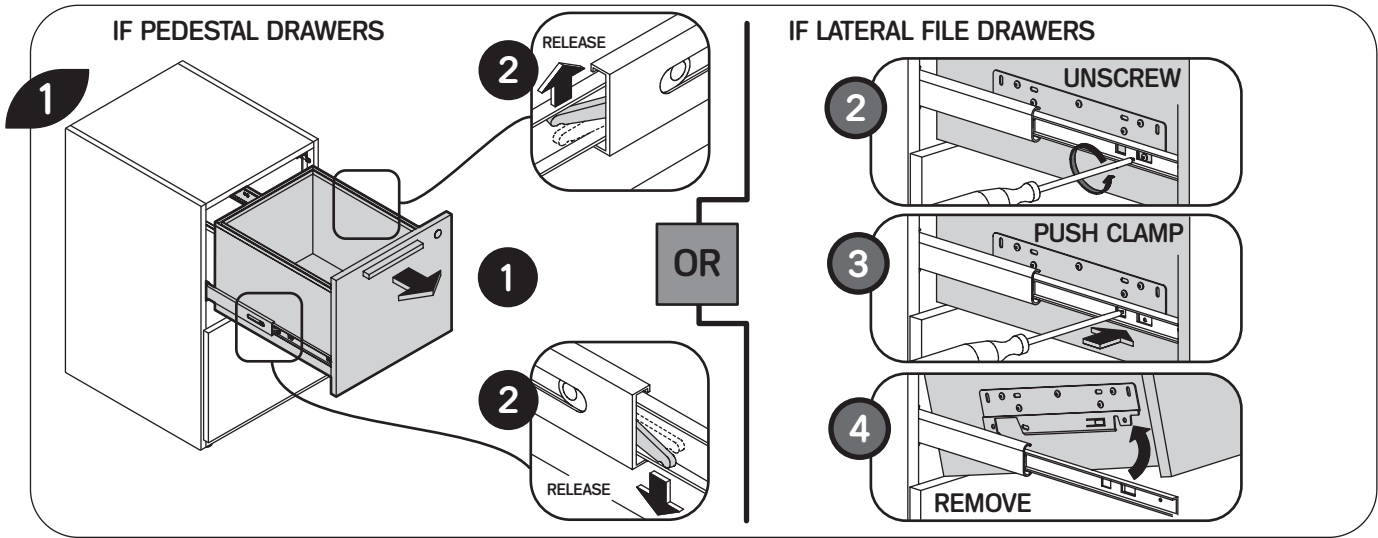
dd = Depth, **ww** = Width

TOP FOR MOUNTED OR WOOD STORAGE

- Part / Product Identification and What's Included

Ref.	Illustration	Description	Part No. / Prod. Code	Qty.	Kit No. / Assy. No.
A		Top for Mounted Storage	C80-74016 +15ww or C80-74032 +18ww	1	
		or Top for Wood Storage	C80-74032 +ddww		
B		#8 x 1 1/2" Quadrex Flat Head, Wood Screw, Zinc	E01-0028	6	X80-74002

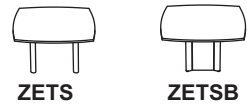
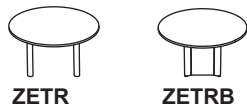
TOP FOR MOUNTED OR WOOD STORAGE INSTALLATION



Section – Meeting Tables

ZETR and ZETRB – Round Meeting Tables
 ZETS and ZETSB – Square Tables

Product



TOOLS REQUIRED:
 Cross or Square Drive #3,
 Power Driver, Level, and 4 mm
 Hexagonal Socket Key (Allen)

MEETING TABLES - Part / Product Identification and What's Included

		ZETR	ZETRB	ZETS	ZETSB			
Ref.	Illustration	Quantity				Kit No. / Assy. No.		
A	OR	1	1					
				1	1			
B	OR	4		4		4x BWSP29		
		1		1				
C		8		8				
D		32		32			X80-74007	
E			1			1		
F			8			8	4x N80-64111 +29	
G			4			4		
H			4			4		
I			1			1		
		1	1	1	1	1		

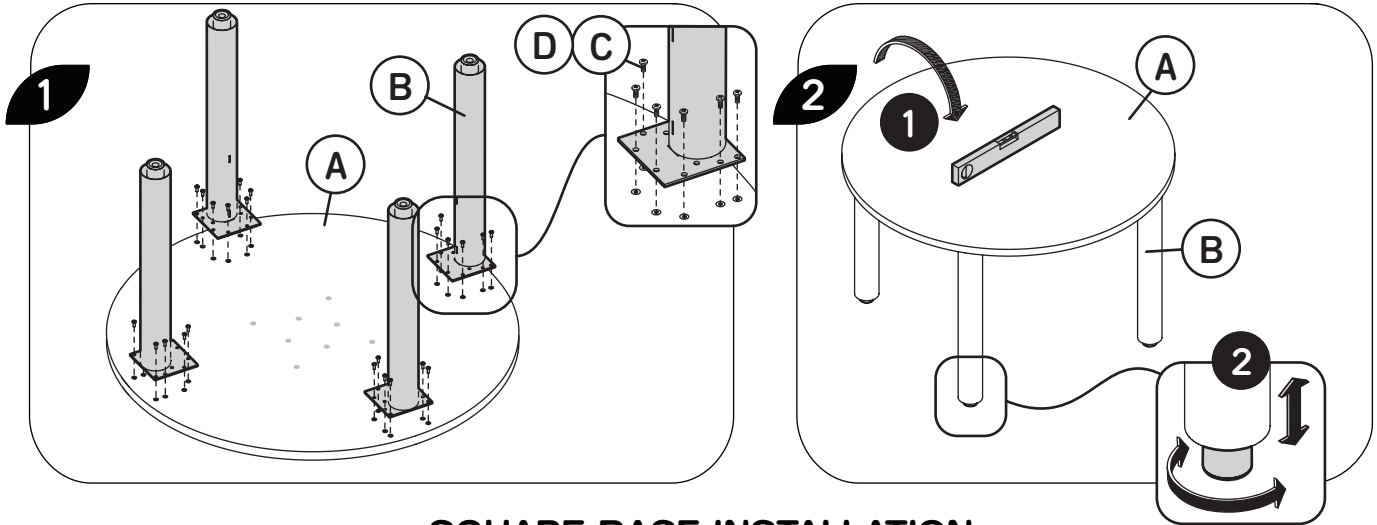
Reference Installation Guides:
 No. 1270 Expansion Wood "Flip-Up Power/Data Module ZELPG"

For additional information on this installation contact Teknion | Roy & Breton **Technical Support**.
Issue Date: 2014 January 27 (L04-74006_R03)

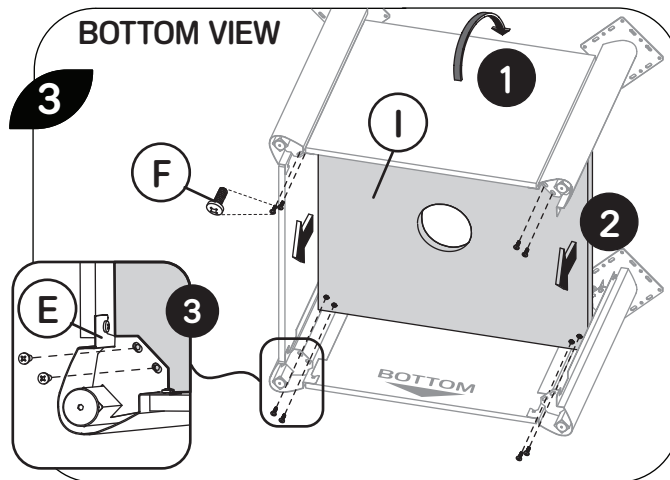
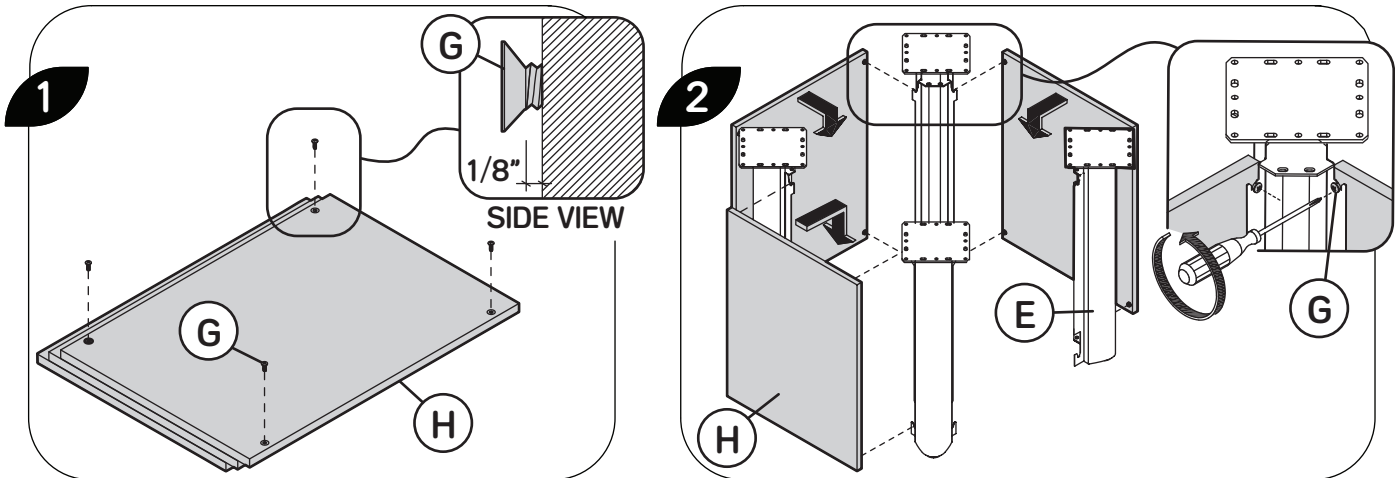
Section – Meeting Tables

ZETR and ZETRB – Round Meeting Tables
ZETS and ZETSB – Square Tables

CENTRAL ROUND POST LEG INSTALLATION

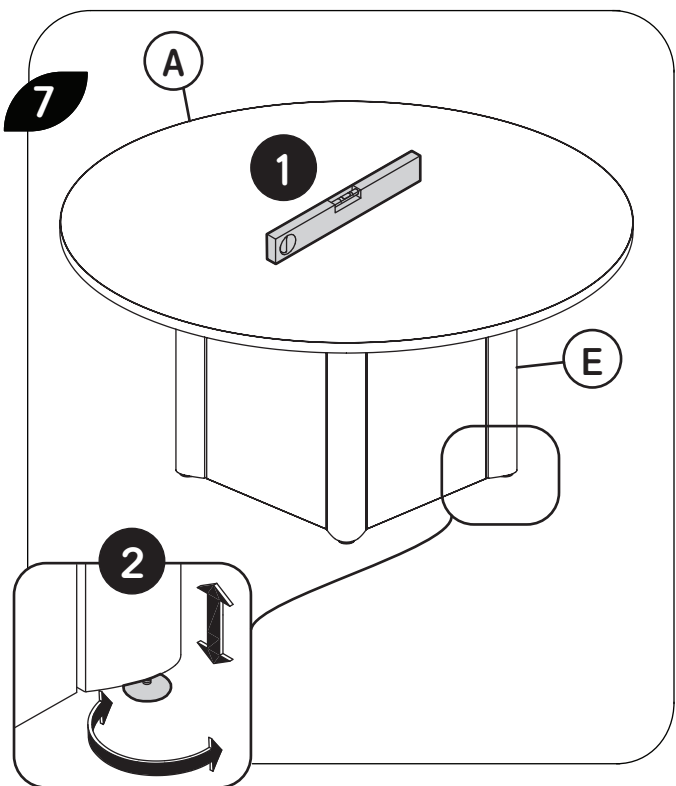
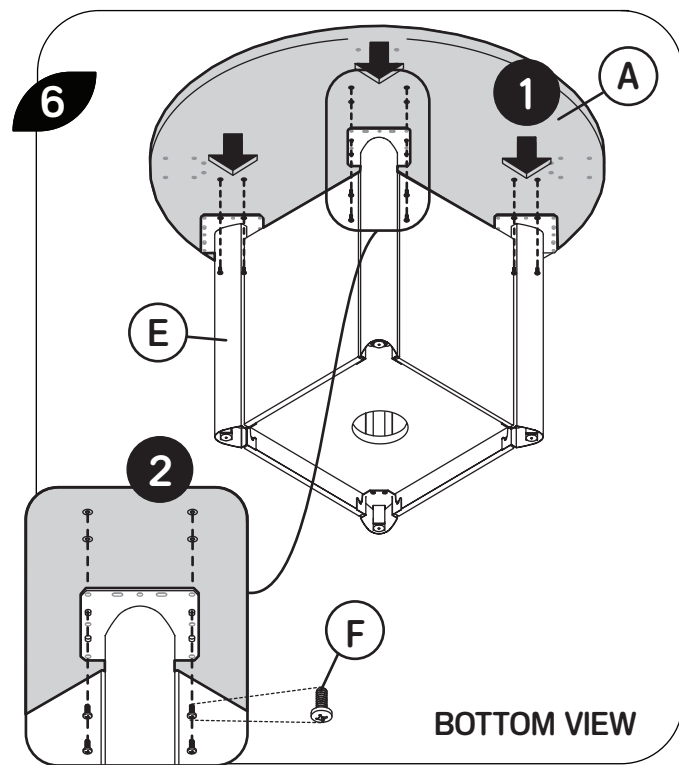
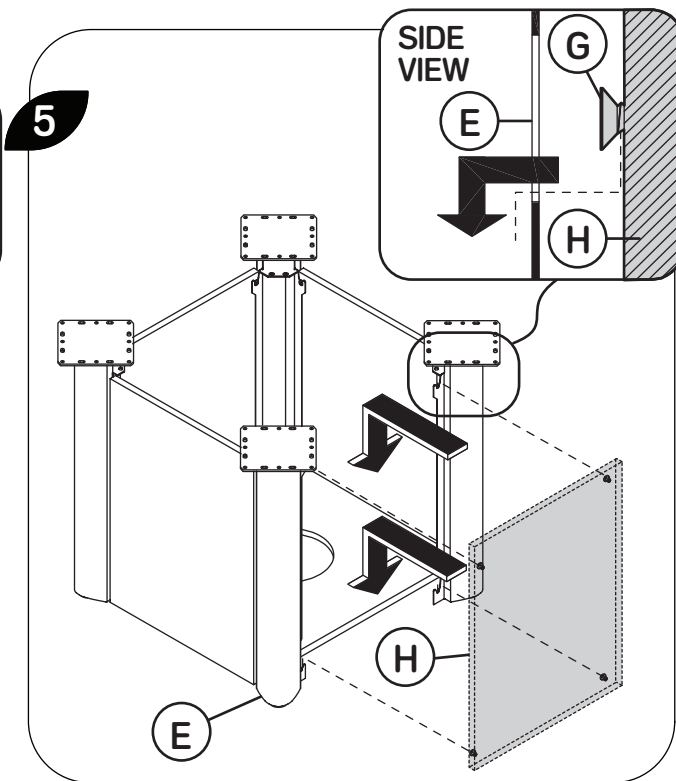
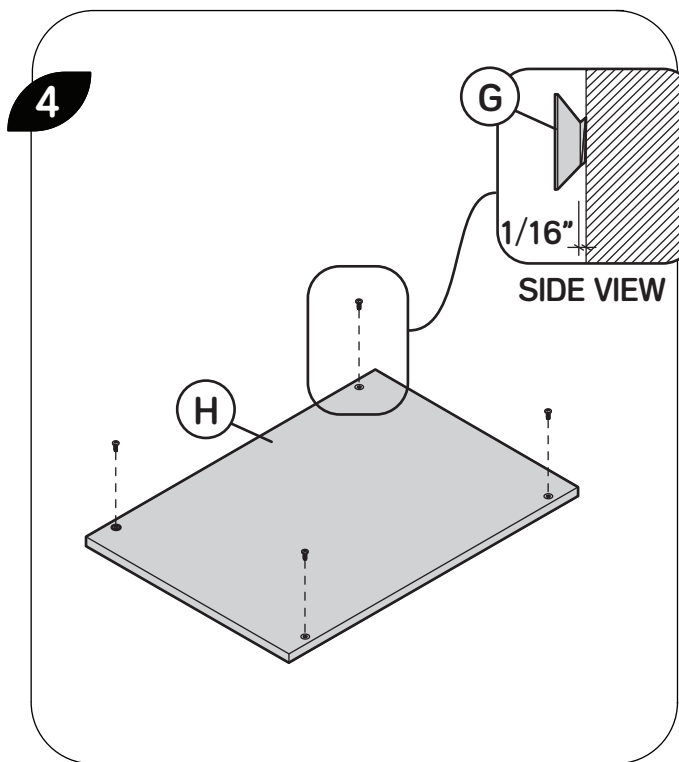


SQUARE BASE INSTALLATION



Section – Meeting Tables

ZETR and ZETRB – Round Meeting Tables
ZETS and ZETSB – Square Tables



Expansion Casegoods and Expansion Wood Section – Meeting Tables

Expansion Desking Section – Desks

No. 1264

BC_ROF – Round Meeting Table – Four-Point Base
 BC_NSF – Square Meeting Table – Four-Point Base
 BC_SQF – Convex Square Meeting Table – Four-Point Base
 ZETRF – Round Meeting Table – Four-Point Base
 ZETRQ – Square Meeting Table – Four-Point Base

BWFP – Four-Point Base
 BWTL – T-Leg
 RTCIS – Round Table – Four-Point Base

Product



BC_ROF,
ZETRF or
RTCIS



BC_NSF or
ZETQF



BC_SQF



BWFP or
BWFP3629



BWTL

TOOLS REQUIRED:

Cross or Square Drive #3, Level,
 4 mm Hexagonal Socket Key,
 and Mallet

MEETING TABLES - Part / Product Identification and What's Included

Ref.	Illustration	Description	Part No. / Prod. Code	Qty.	Kit No. / Assy. No.
A		Round Worksurface (Expansion Casegoods) or Round Worksurface (Expansion Desking)	BWC_ROF or C80-74007+XX or RWTCI_	1	
		Convex Square Worksurface	BWC_SQF		
		Square Worksurface	BWC_NSF or C80-74034+XX		

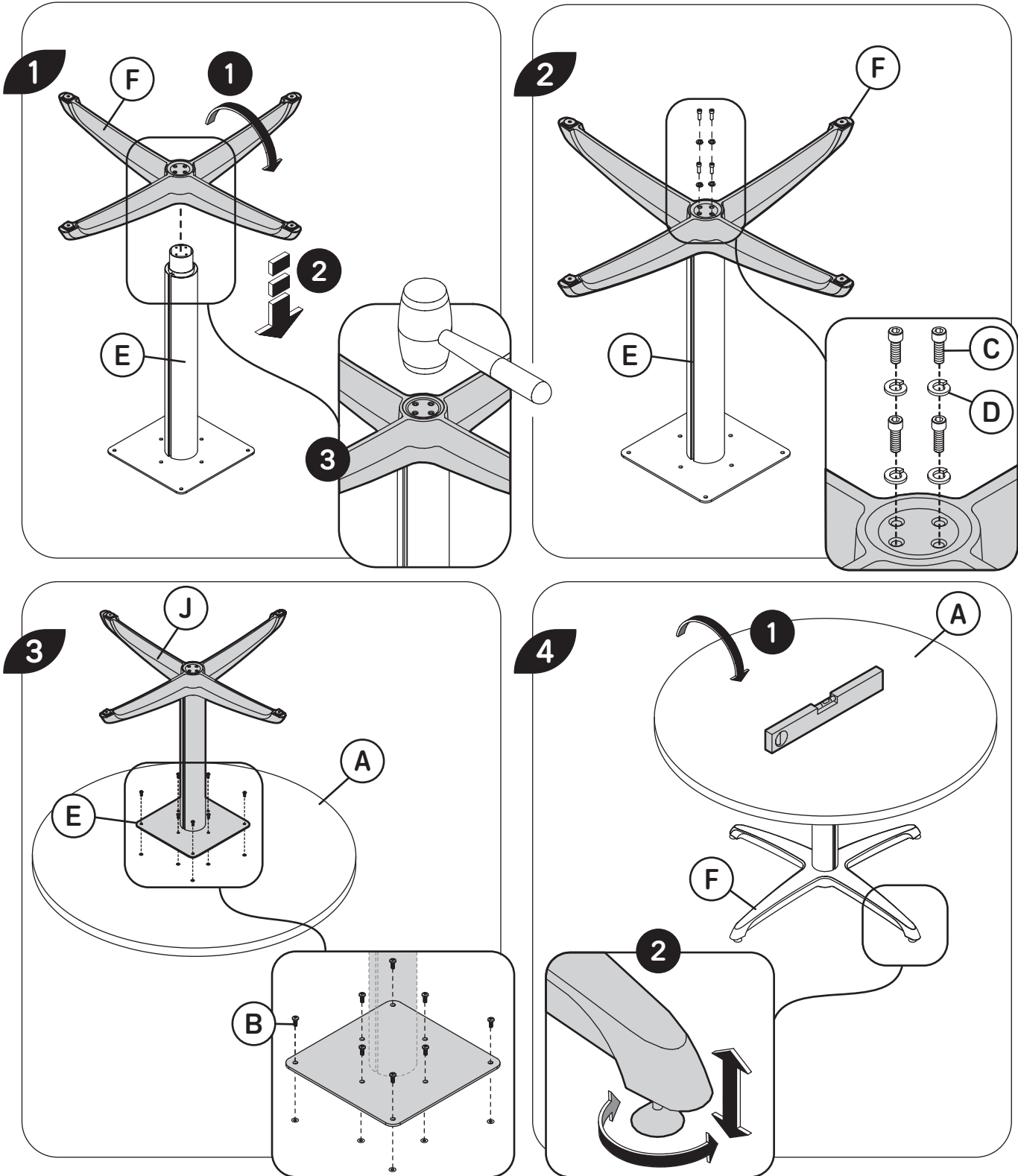
BWFP, BWFP3629, OR BWTL - Part / Product Identification and What's Included

Ref.	Illustration	Description	Part No. / Prod. Code	Qty.	Kit No. / Assy. No.
B		1/4" – 20 x 5/8" Quadrex Pan Head Mechanical Screw, Black	E01-50403	8	X80-64016
C		1/4" – 20 x 3/4" Hex Socket Head Cap Screw, Black	E03-50902	4	
D		Lockwasher	E03-50131	4	
E		Vertical Tube for Four-Point Base or Vertical Tube for T-Leg	N80-64086+29	1	
F		Four-Point Base (For BWFP, BWFP3629)	N80-64117+36	1	
		T-Leg Foot (For BWTL)	N80-64118+30		

BC_ROF – Round Meeting Table – Four-Point Base
BC_NSF – Square Meeting Table – Four-Point Base
BC_SQF – Convex Square Meeting Table – Four-Point Base
ZETRF – Round Meeting Table – Four-Point Base
ZETRQ – Square Meeting Table – Four-Point Base

BWFP – Four-Point Base
BWTL – T-Leg
RTCIS – Round Table – Four-Point Base

FOUR-POINT BASE or T-LEG INSTALLATION



expansion casegoods and expansion wood *Installation Guides*

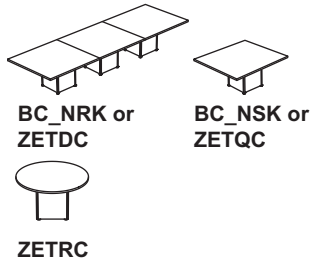
Expansion Casegoods and Expansion Wood Section – Meeting Tables

BC_NRK – Rectangular Conference Table – Cubic Bases
 BC_NSK – Square Meeting Table – Cubic Base
 ZETRC – Round Meeting Table – Cubic Base

ZETQC – Square Meeting Table – Cubic Base
 ZETDC – Rectangular Conference Table – Cubic Bases

No. 2012

Product



TOOLS REQUIRED:

Cross or Square Drive #2, #3 and Level

TABLES - Part / Product Identification and What's Included

Ref.	Illustration	Description	Part No. / Prod. Code	Qty.	Kit No. / Assy. No.
A*		Rectangular Conference Work. (for Exp. Casegoods) or _____ (for Expansion Wood)	BWC_NRK N09-63001 +XX+YY	As per Order	
		Square Meeting Work. (for Exp. Casegoods) or _____ (for Expansion Wood)	BWC_NSK C80-74034 +XX		
		Round Meeting Work. (for Expansion Wood)	C80-74033 +XX		
B		Leg Cover for Cubic Base (for Exp. Casegoods) or _____ (for Expansion Wood)	N80-64057 +29 N80-64161 +29	As per Order	
C		Panel for Cubic Base (for Exp. Casegoods) or _____ (for Expansion Wood)	C05-64022 +XX+29 C82-74083 +XX29	As per Order	
D		Assembly Plate	A15-63204	As per Order	
E		1/4" – 20 x 5/8" Quadrex Pan Head Mechanical Screw, Black	E01-50403	4	As per Order X80-61011
F		#12 x 3/4" Quadrex Pan Head Wood Screw, Zinc	E04-50017	7	X80-50006 (BC_NRK or ZETDC only)
G		#8 – 15 x 0.563 Quadrex Conical Head Self-Tapping Screw, Zinc	E04-50046	As per Order	
H		#14 – 10 x 0.750 Quadrex Flat Head Wood Screw, Zinc	E04-50057	As per Order	
		Recessed Power/Data Module – 2 outlets or _____ 4 outlets	I04-50019 I04-50020	As per Order	

*** Worksurface Pieces Quantity**

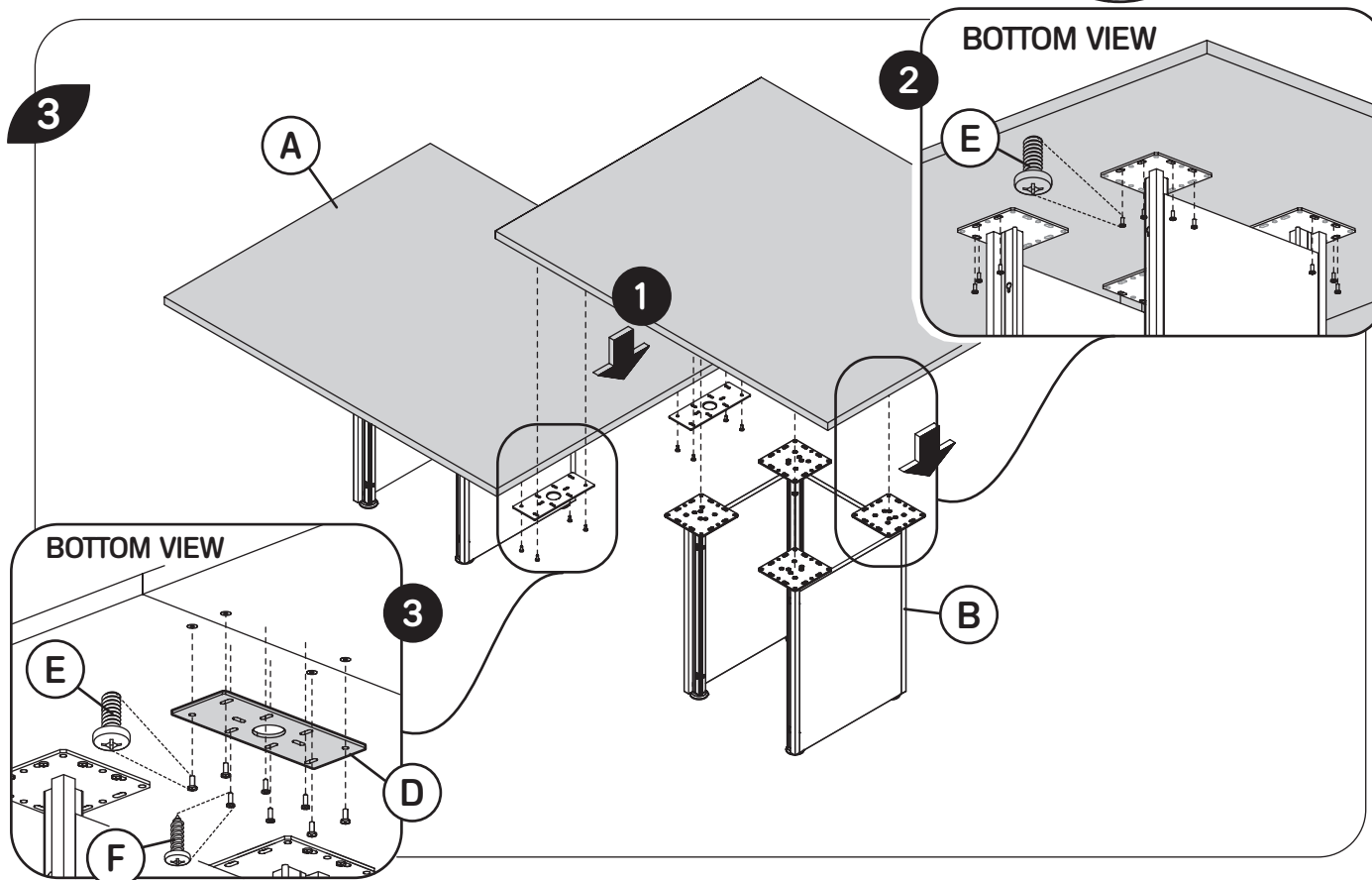
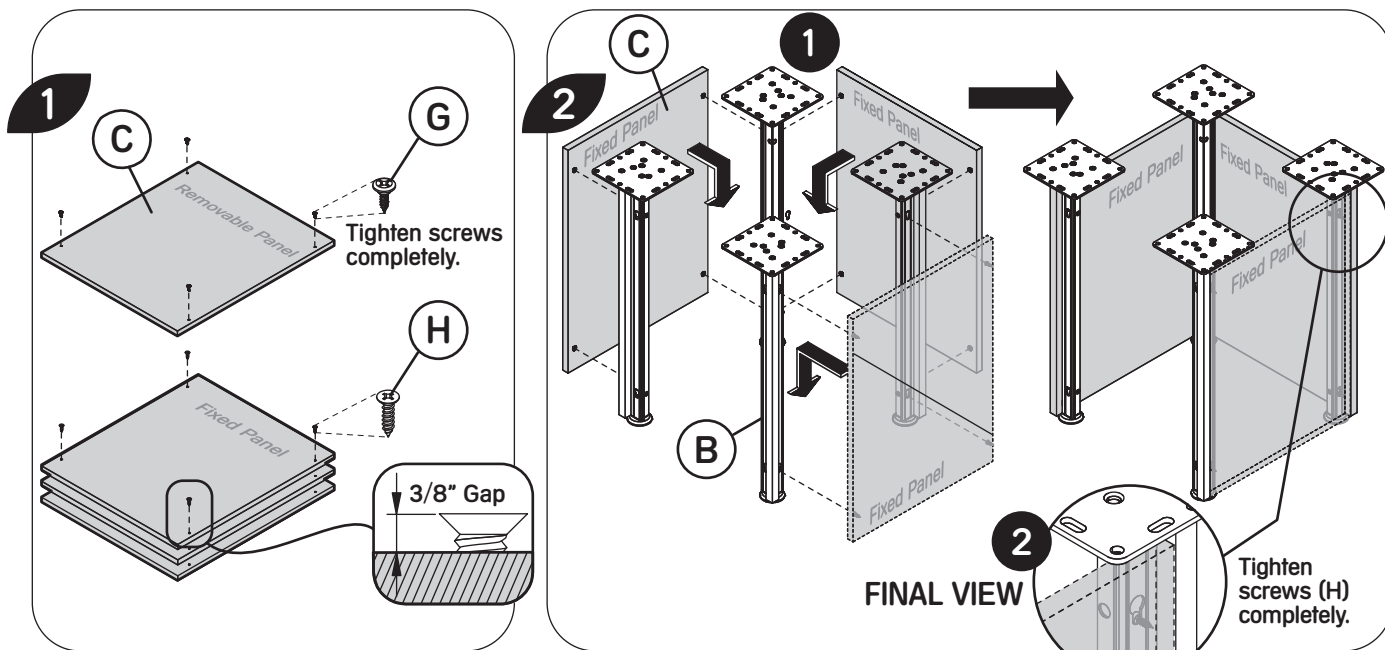
Code / Dim.	BWC_NRK	BWC_NSK	ZETRC or ZETQC	ZETDC
48" to 60"	n/a	1	1 (54" or 60" only)	n/a
102" to 168"	2	n/a	n/a	2 (120" or 144" only)
174" to 216"	3	n/a	n/a	n/a

Expansion Casegoods and Expansion Wood Section – Meeting Tables

BC_NRK – Rectangular Conference Table – Cubic Bases
BC_NSK – Square Meeting Table – Cubic Base
ZETRC – Round Meeting Table – Cubic Base

ZETQC – Square Meeting Table – Cubic Base
ZETDC – Rectangular Conference Table – Cubic Bases

MEETING TABLE WITH CUBIC BASE INSTALLATION



Expansion Casegoods and Expansion Wood Section – Meeting Tables

BC_NRK – Rectangular Conference Table – Cubic Bases

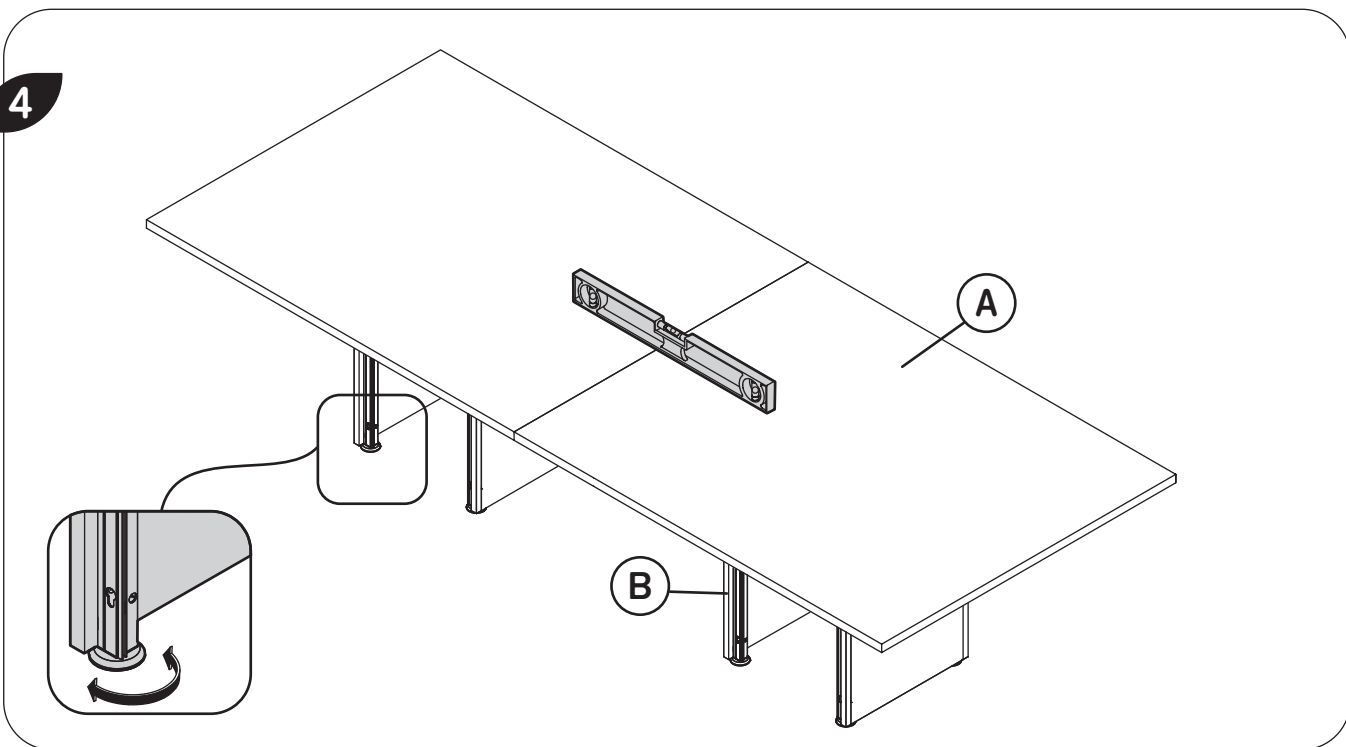
ZETQC – Square Meeting Table – Cubic Base

BC_NSK – Square Meeting Table – Cubic Base

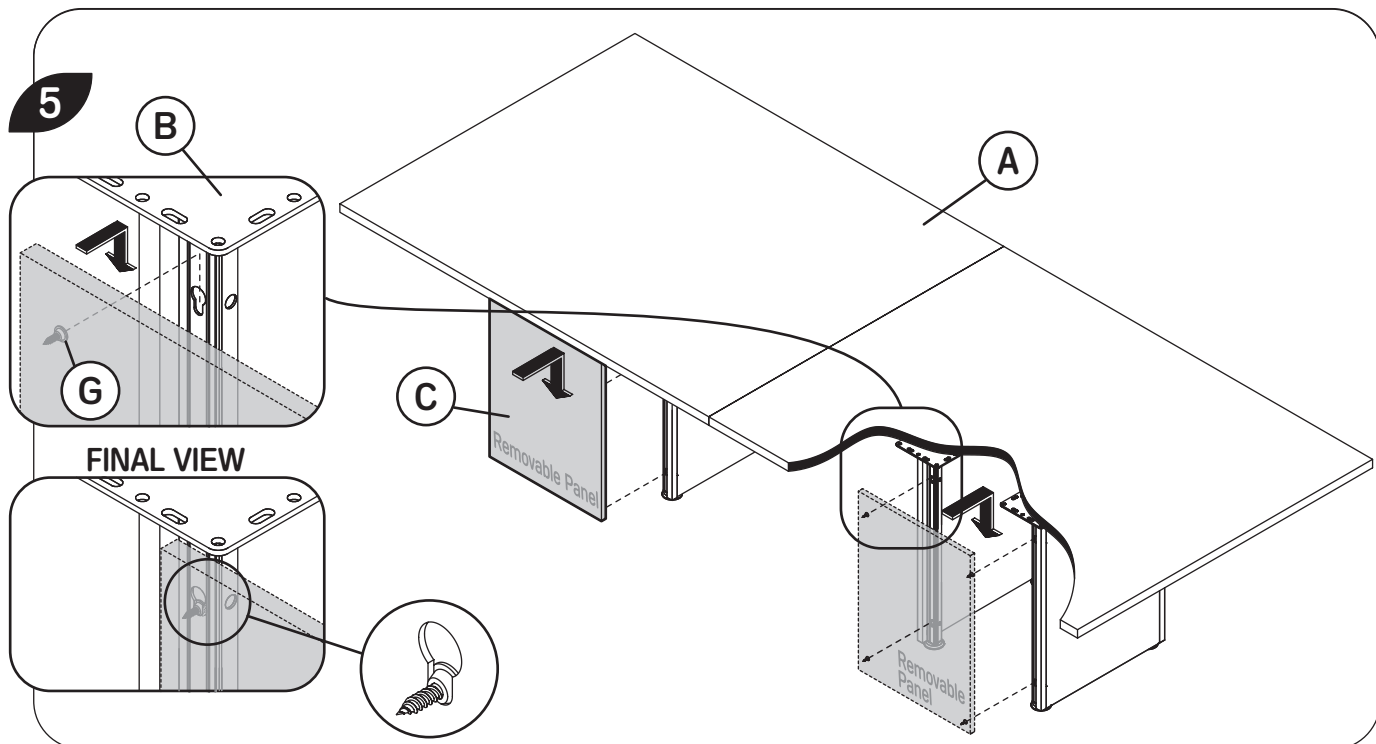
ZETDC – Rectangular Conference Table – Cubic Bases

ZETRC – Round Meeting Table – Cubic Base

4



5



expansion casegoods and expansion wood *Installation Guides*

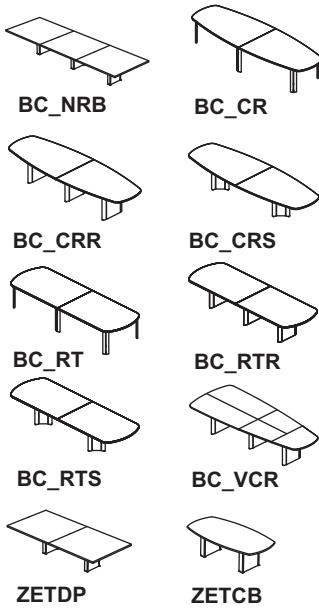
Expansion Casegoods and Expansion Wood Section – Meeting Tables

BC_NRB – Rectangular Conference Table – Panel Bases
 BC_CR – Convex Racetrack Worksurface with Legs
 BC_CRR – Convex Racetrack Worksurface with Rectangular Bases
 BC_CRS – Convex Racetrack Worksurface with Square Bases
 BC_RT – Racetrack Worksurface with Legs

BC_RTR – Racetrack Worksurface with Rectangular Bases
 BC_RTS – Racetrack Worksurface with Square Bases
 BC_VCR – Convex Video Conferencing Worksurface with Rectangular Bases
 ZETDP – Rectangular Conference Table – Panel Bases
 ZETCB – Convex Racetrack Conference Table – Panel Bases

No. 1262

Product



TABLES - Part / Product Identification and What's Included

Ref.	Illustration	Description	Part No. / Prod. Code	Qty.	Kit No. / Assy. No.
A*		Convex Video Conferencing Work. (for Expansion Casegoods)	BWC_VC	As per Order	
	OR	Convex Racetrack Work. (for Expansion Casegoods)	BWC_CR		
		(for Expansion Wood)	C80-74037 (72" or 96" w) or N09-63002 (120" or 144" w)		
	OR	Racetrack Worksurface (for Expansion Casegoods)	BWC_RT		
	OR	Rectangular Worksurface (for Expansion Casegoods)	BWC_NRB		
		(for Expansion Wood)	C80-74035 (72" or 96" w) or N09-63000 (120" or 144" w)		
B		Leg Cover for Rect. Base (Includes M. Screws (E01-50403 and E01-50778))	N80-64110 +29	As per Order	
		Leg Cover for Square Base (Includes M. Screws (E01-50403 and E01-50778))	N80-64111 +29		
		Leg Cover for Panel Base	N80-64058 +29		
C		Panel for Rectangular Base (for Expansion Casegoods)	C05-64100 +XX+29	As per Order	
		Panel for Square Base (for Expansion Casegoods)	C05-64101 +XX+29		
		Panel for Panel Base (for Expansion Casegoods and Expansion Wood)	C05-64023 +22+25		
D		Square Base Bottom (Only Available with BC_CRS, and BC_RTS)	C05-64103 +XX	As per Order	
		Ellipse Leg (Only applicable with BC_CR and BC_RT) (Includes M. Screws (E01-50403))	BWSE29	As per Order	
		Column Leg (Only applicable with BC_CR and BC_RT) (Includes M. Screws (E01-50403))	BWSC29		

TOOLS REQUIRED:
 Cross or Square Drive #2 and #3

*** Worksurface Pieces Quantity**

Code / Dim.	BWC_NRB	BWC_CR or BWC_RT	BWC_VC	ZETDP or ZETCB
72" to 90"	1	1	n/a	1 (72" only)
96"	1	1	3	1
102" to 114"	2	2	n/a	n/a
120"	2	2	3	2
126" to 138"	2	2	n/a	n/a
144"	2	2	5	2
150" to 162"	2	2	n/a	n/a
168"	2	2	5	n/a
174" to 186"	3	3	n/a	n/a
192"	3	3	5	n/a
198" to 216"	3	3	n/a	n/a












Reference Installation Guides:
 No. 1270 Expansion Casegoods "Flip-Up Power/Data Module BFPG"

For additional information on this installation contact Teknion | Roy & Breton **Technical Support.**

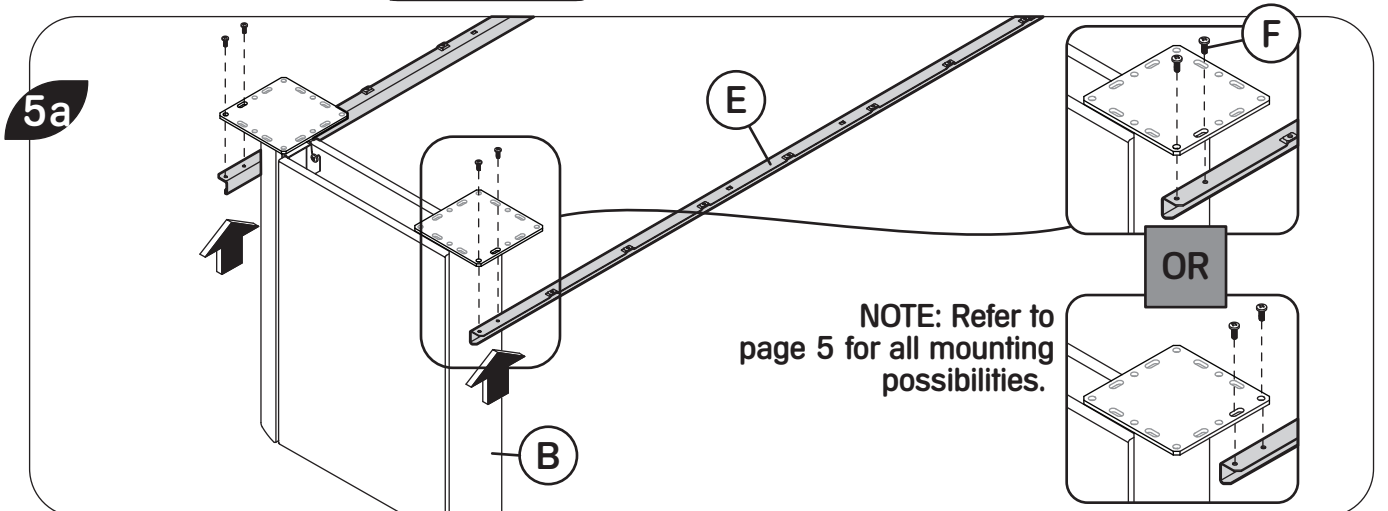
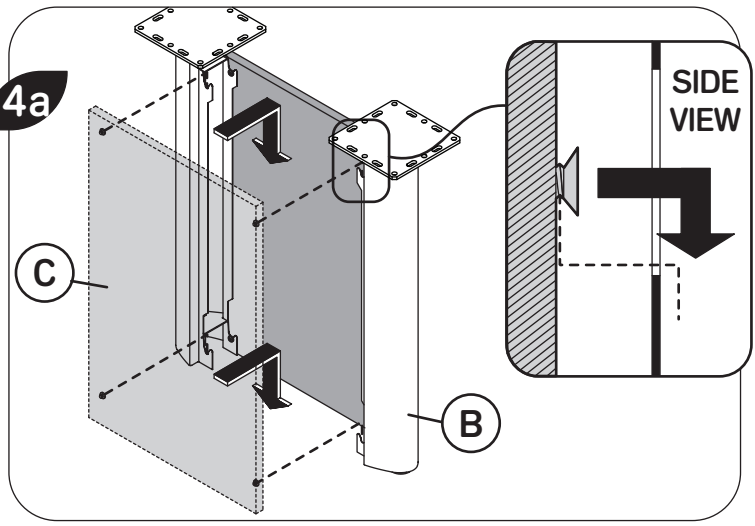
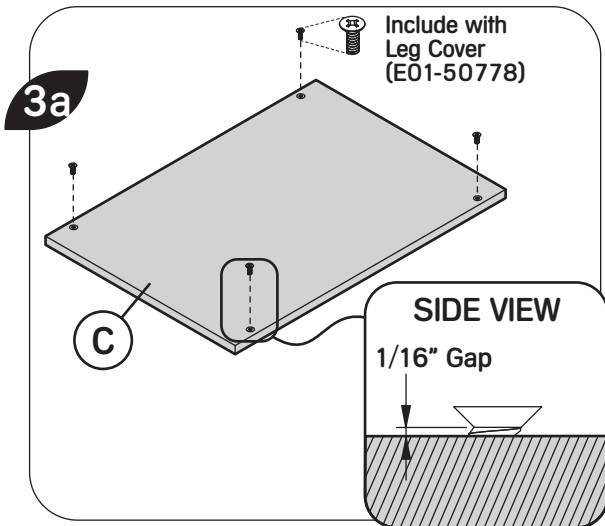
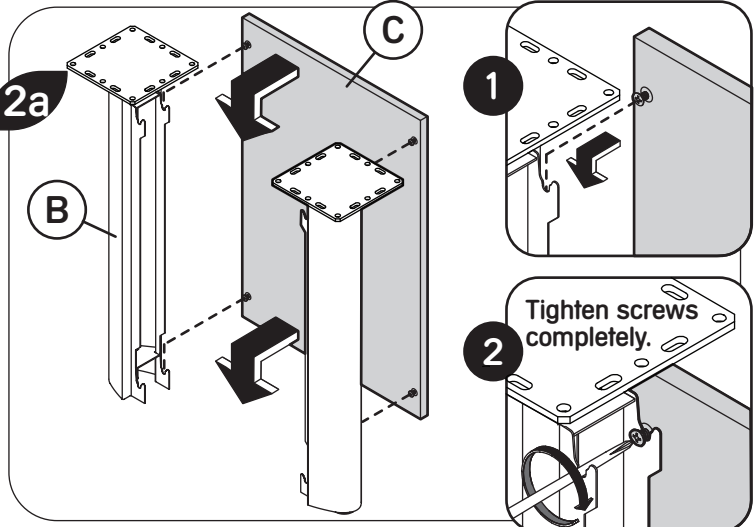
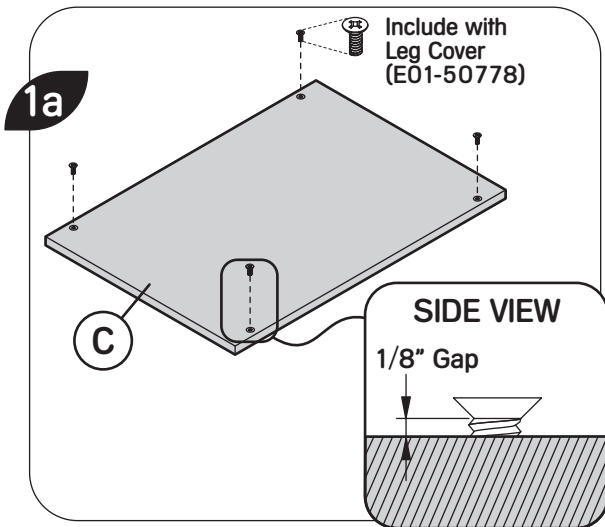
Issue Date: 2015 September 15

(L04-64007_R08)

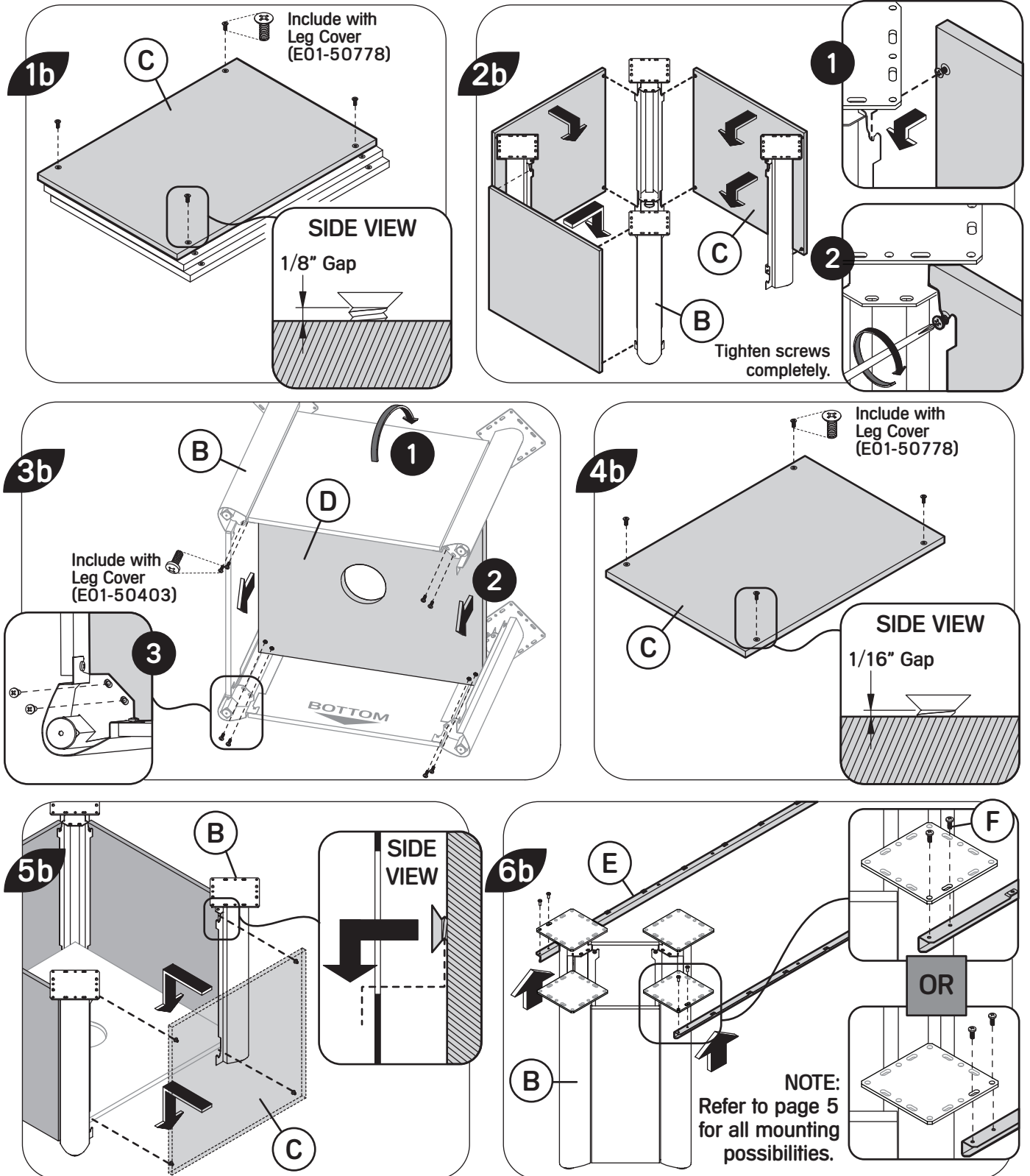
TABLES - Part / Product Identification and What's Included (continued)

Ref.	Illustration	Description	Part No. / Prod. Code	Qty.	Kit No. / Assy. No.
E		Reinforcing Bar	A15-64117 +XX	1	QTY. As per Order X80-64100 +XX
F		1/4" – 20 x 5/8" Quadrex Pan Head Mechanical Screw, Black	E01-50403	8	
G		#12 x 3/4" Quadrex Pan Head Wood Screw, Zinc	E04-50017	7	
H		1/4" – 20 x 5/8" Quadrex Pan Head Mechanical Screw, Black	E01-50403	4	QTY. As per Order KIT102
I		Linking Plate	A15-61233	2	
J		#12 x 3/4" Quadrex Pan Head Wood Screw, Zinc	E04-50017	4	
K		1/4" – 20 x 5/8" Quadrex Pan Head Mechanical Screw, Black	E04-50403	4	QTY. As per Order X80-61011 (for BC_NRB, ZETDP and ZETCB only)
L		#8 – 15 x 0.563 Quadrex Conical Head Self-Tapping Screw, Zinc	E04-50046	As per Order	
M		#14 – 10 x 0.750 Quadrex Flat Head Wood Screw, Zinc	E04-50057	As per Order	
OR		Recessed Power/Data Module – 2 outlets (Only Applicable with BC_NRB)	I04-50019	As per Order	
		4 outlets (Only Applicable with BC_NRB)	I04-50020		
		Flip-Up Power/Data Module (Applicable with all tables, except with BC_NRB)	BFPG or ZELPG15	As per Order	

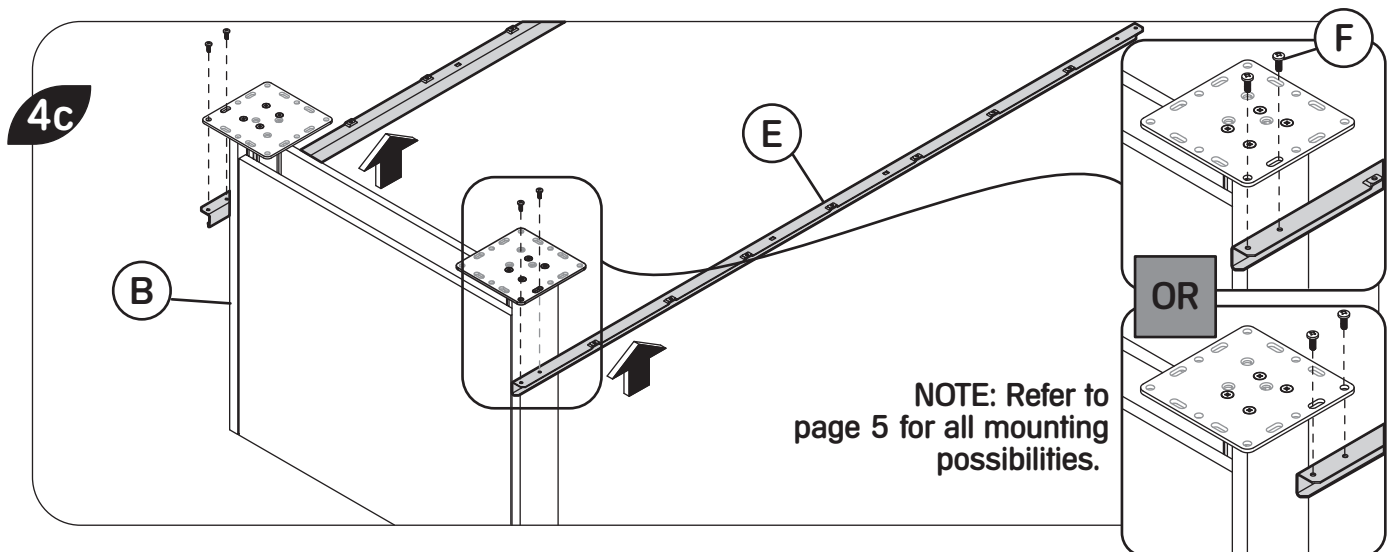
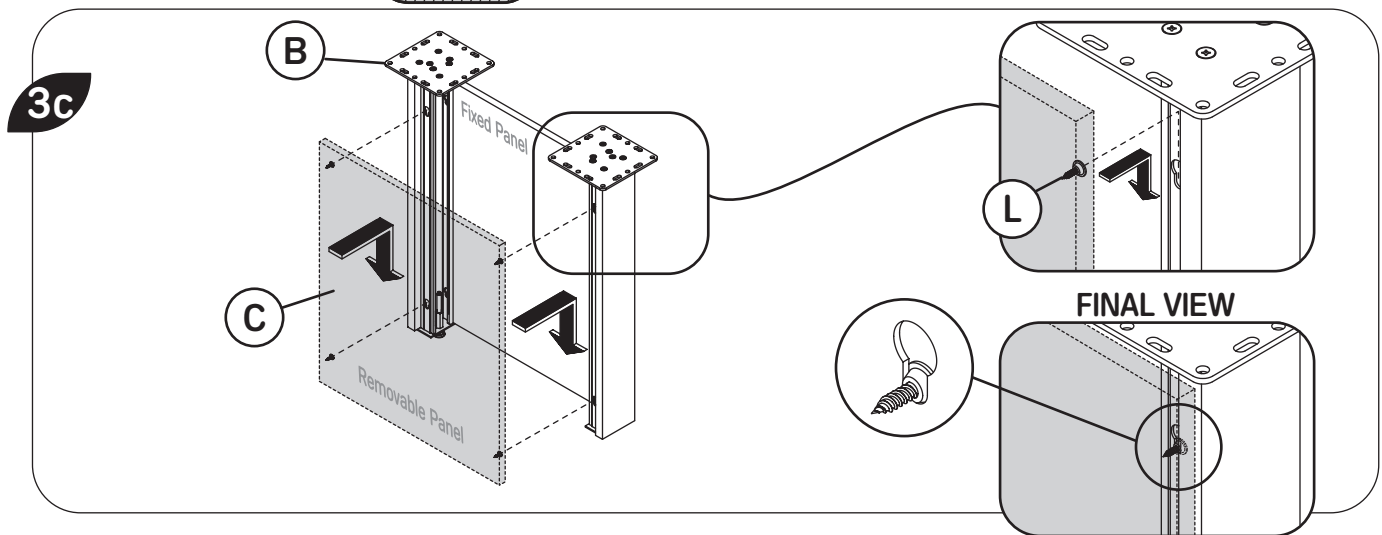
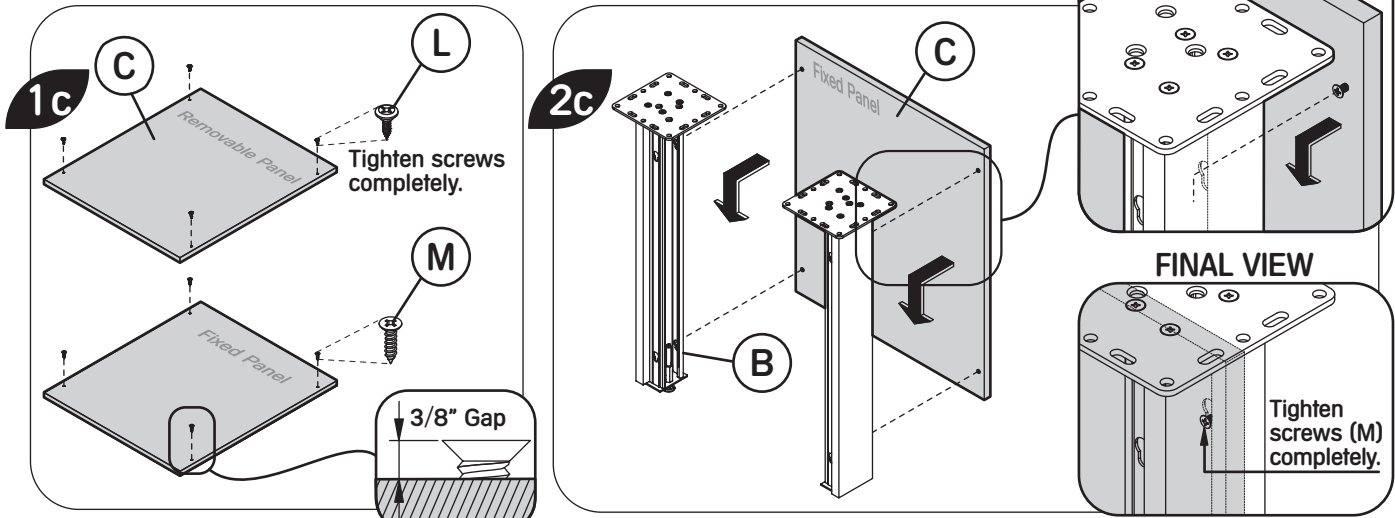
RECTANGULAR BASE ASSEMBLY



SQUARE BASE ASSEMBLY



PANEL BASE ASSEMBLY



REINFORCING BAR FIXATION – POSSIBILITIES

1

Only applicable with:

- BC_VCR (144" w)
- BC_CRR (150" to 168" w) or (54" d x 174" to 192" w)
- BC_CRS (54" d x 174" to 192" w)
- BC_RTR (150" to 216" w)
- BC_RTS (174" to 216" w)

OR

CENTER BASE

2

Only applicable with:

- BC_VCR (168" or 192" w)

OR

3

Only applicable with:

- BC_CRR (60" d x 174" to 216" w)
- BC_CRS (60" d x 174" to 216" w)

1

Only applicable with:

- BC_VCR (96" to 192" w)

OR

END BASE

2

Only applicable with:

- BC_NRB (102" to 216" w)
- BC_RTR (102" to 216" w)
- BC_RTS (120" to 216" w)
- BC_CRR (102" to 216" w)
- BC_CRS (120" to 216" w)
- ZETDP or ZETCB (120" or 144" w)

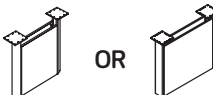
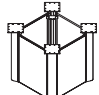
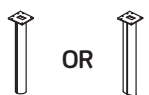
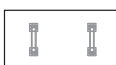

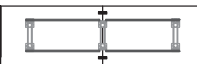
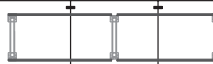
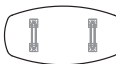

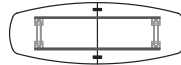
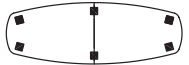
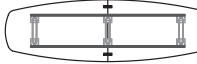
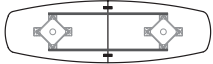

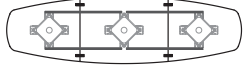
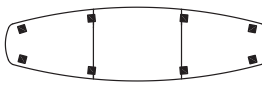
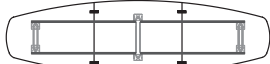
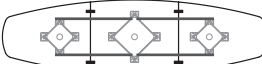
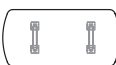


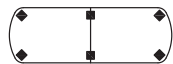
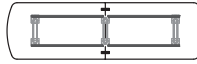
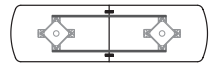
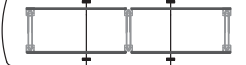
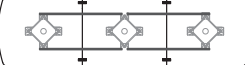



2

Include with Leg Cover (E01-50403) or X80-61011 (K)

BOTTOM VIEW

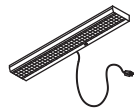
NOTE:
Do not put wood screw on worksurfaces seam.

SUPPORT, REINFORCING BAR, AND LINKING PLATE POSITIONS

Table Style	Depth	Width	Rectangular or Panel Base	Width	Square Base	Width	Leg		
									
Rectangular Conference (BC_NRB or ZETDP)	All	72" to 96"							
		102" to 144"							
		150" to 168"							
		174" to 216"							
Convex Racetrack Conference (BC_CR, BC_CRR, BC_CRS or ZETCB)	All	72" to 96"				72" to 96"			
		102" to 144"				102" to 168"			
		150" to 168"				120" to 168"			
	54"	174" to 192"		174" to 192"		174" to 216"			
	60"	174" to 216"		174" to 216"					
Racetrack Conference (BC_RT, BC_RTR or BC_RTC)	All	72" to 96"				72" to 96"			
		102" to 144"				102" to 168"			
		150" to 168"				120" to 168"			
		174" to 216"				174" to 216"			
Convex Video Conferencing (BC_VCR)	All	96" or 120"							
		144"							
		168" or 192"							

RLTY, BLTY and ZELLY – Mounted Storage Utility Light

Product



RLTY, BLTY and ZELLY

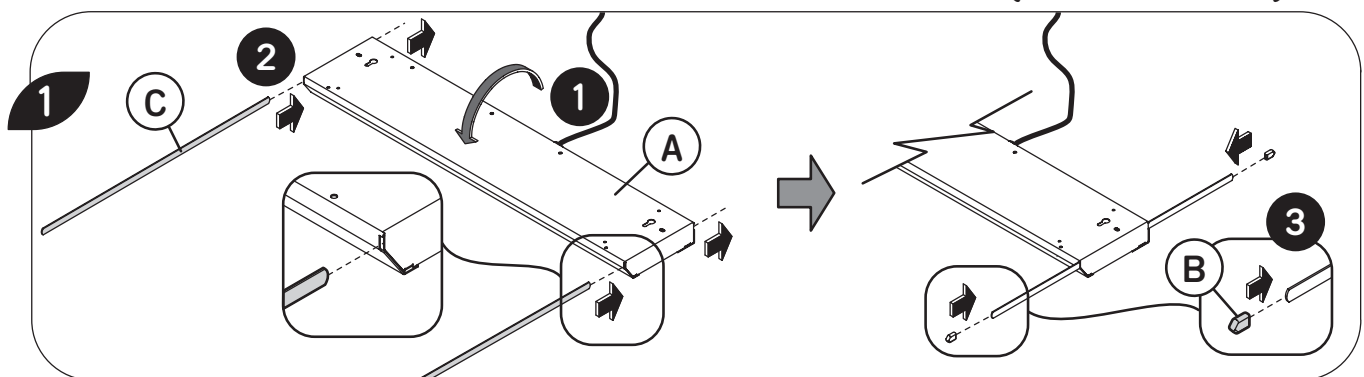
TOOLS REQUIRED:

Cross or Square Drive #2
and Pencil

RLTY, BLTY and ZELLY - Part / Product Identification and What's Included

Ref.	Illustration	Description	Part No. / Prod. Code	Qty.
A		Mounted Storage Utility Light Body	RLTYXX00A or BLTYXX00A or ZELLYXX00A	1
B		Cap and _____	MPA15-E624	4
C		Spring Steel Bar (Only available with BLTY and RLTY)		2
D		Wire Management Clip comes with Double Face Tape	PCORMGMT	2
E				
F		22" high Wire Manager Extrusion (Only available with RLTY)	PB03- 51225099	1
G		#8 x 5/8" Quadrex Round Head Type A (Only available with ZELLY)	N/A	4 (24" or 36" w) or 5 (48" w)

MOUNTED STORAGE UTILITY LIGHT INSTALLATION (for Metal Shelf)



Reference Installation Guides:

1025 Expansion Desking "Shelves"

1080 Expansion Desking "Desk-Mounted Shelf"

1082 & 1060 Expansion Desking "Column-Mounted Overhead Cabinet and Laminate or Metal Case"

1083 & 1062 Expansion Desking "Wall-Mounted Overhead Cabinet and Laminate or Metal Case"

1289 Expansion Casegoods "Hutches"

1292 Expansion Casegoods "Standard Wall Cabinets"

1602 Expansion Wood "Hutches"

1607 Expansion Wood "Standard Wall-Mounted Overhead Cabinets"

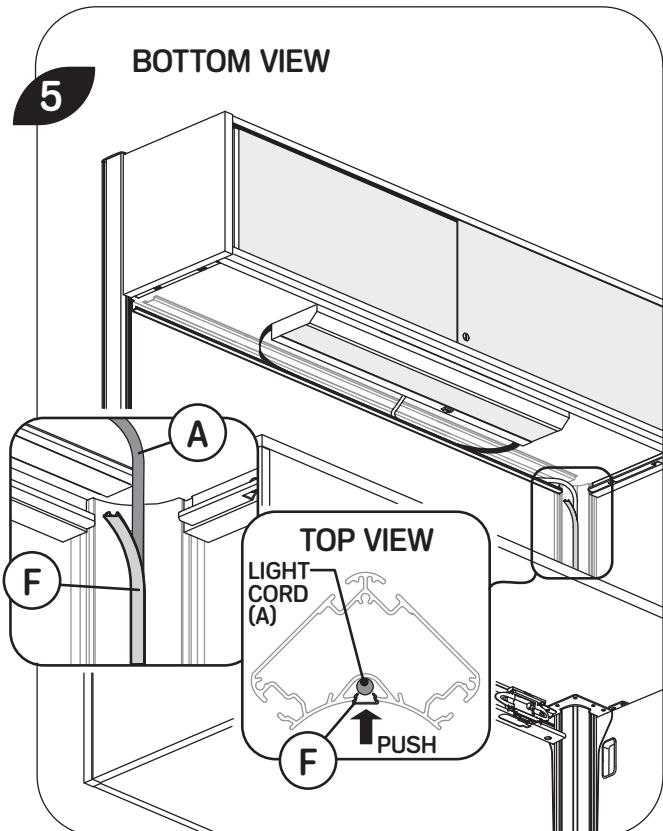
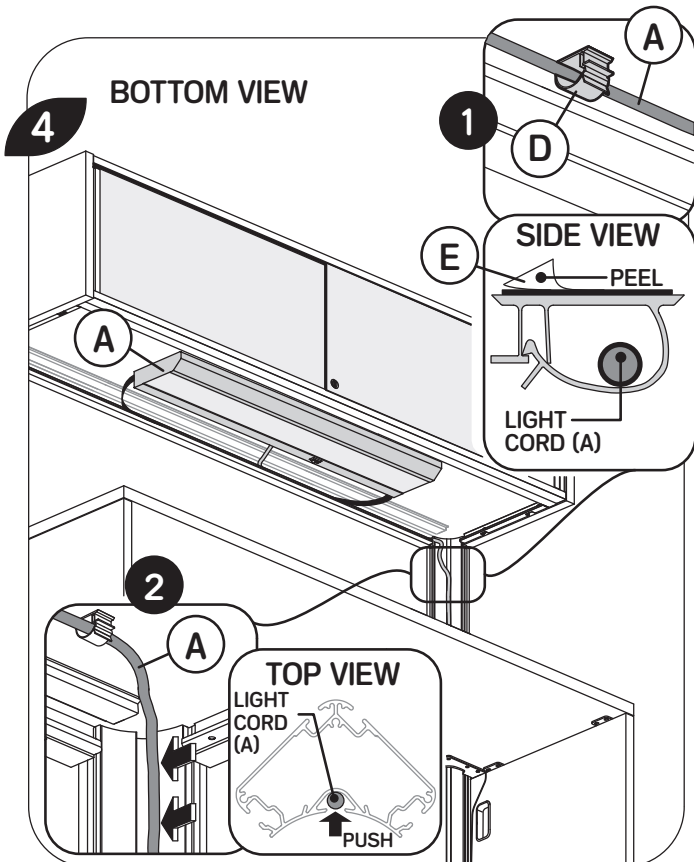
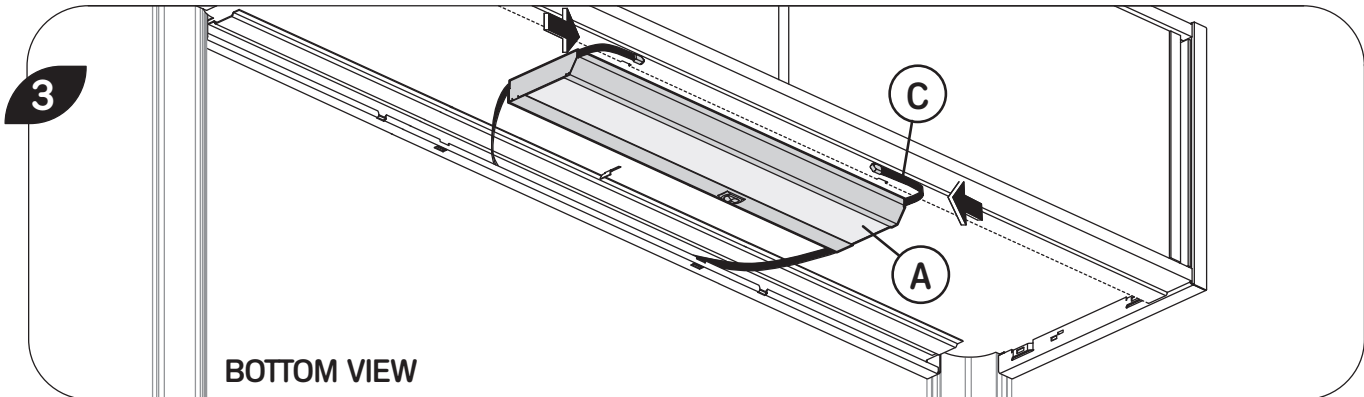
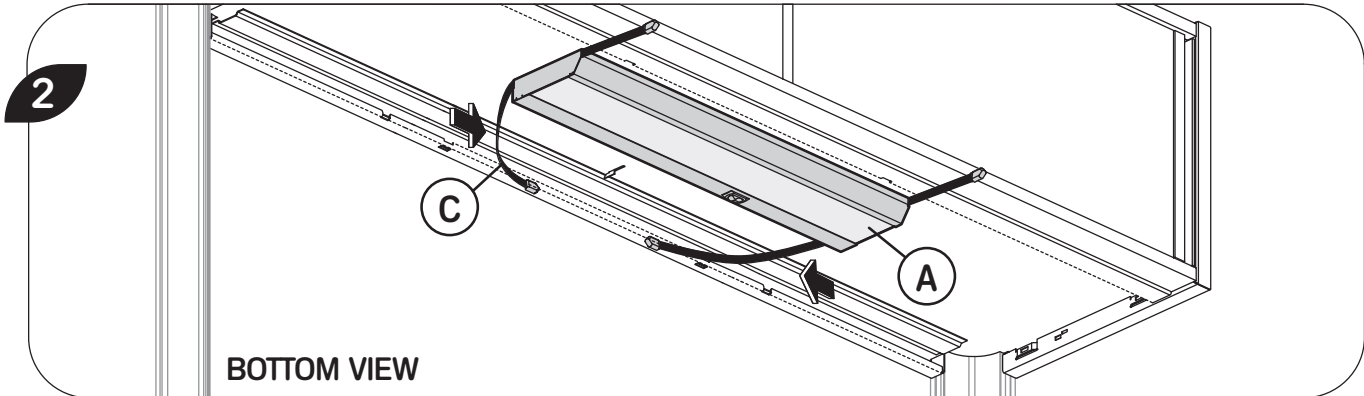
2011 Expansion Casegoods "Wall-Mounted Overhead Cabinets"

2001 Expansion Casegoods and Expansion Wood "Mounted Overhead Cabinets"

For additional information on this installation contact Teknion | Roy & Breton **Technical Support**.

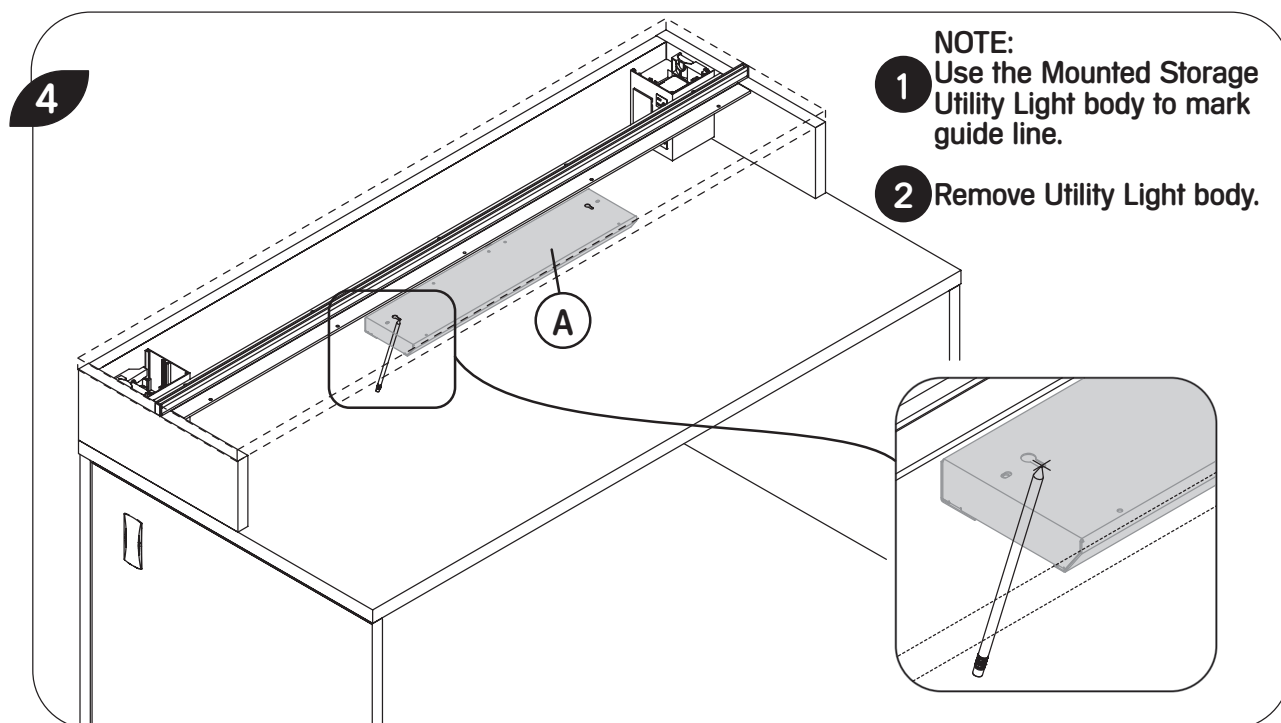
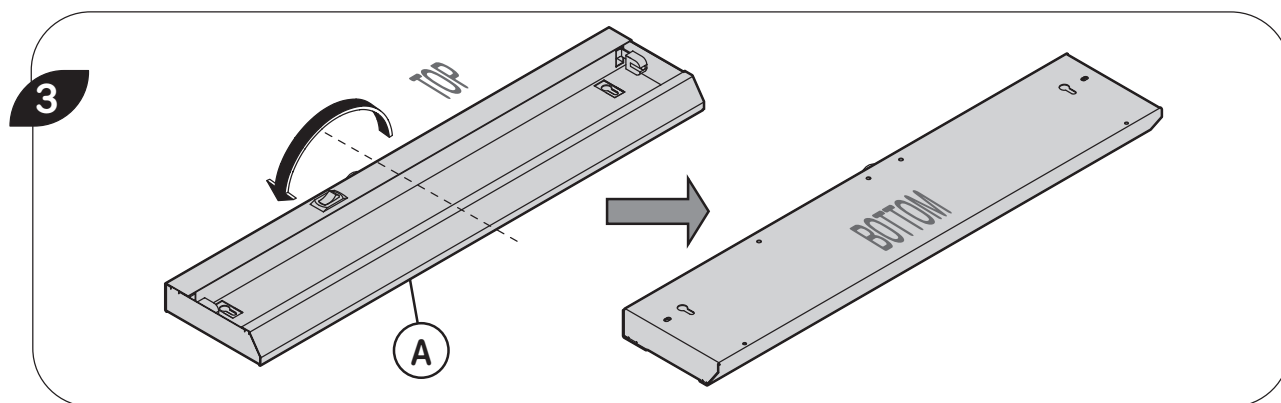
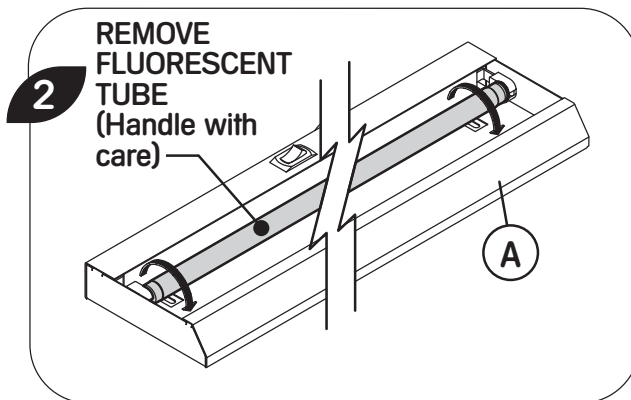
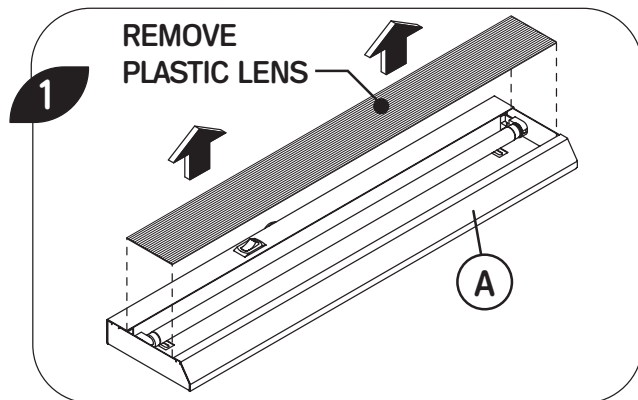
Issue Date: 2013 May 27

RLTY, BLTY and ZELLY – Mounted Storage Utility Light

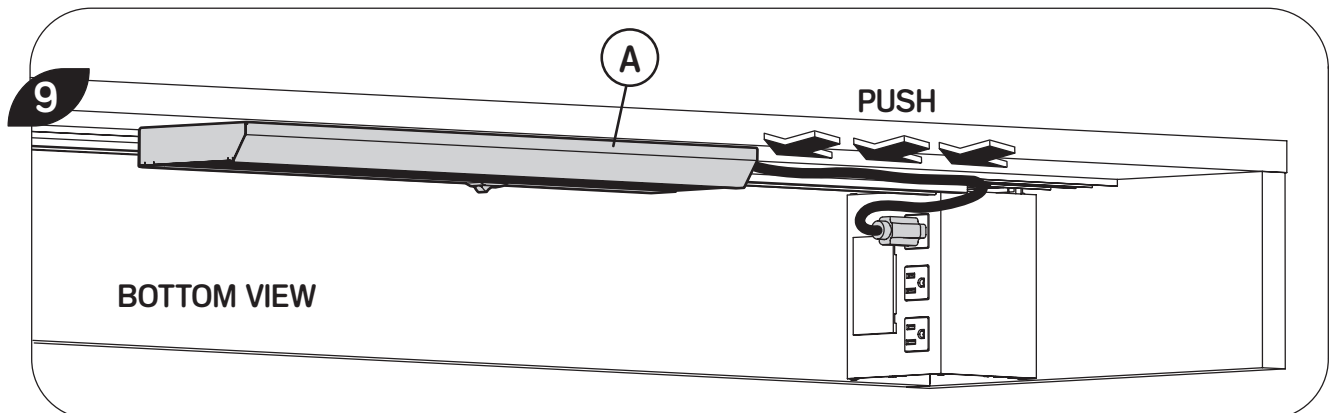
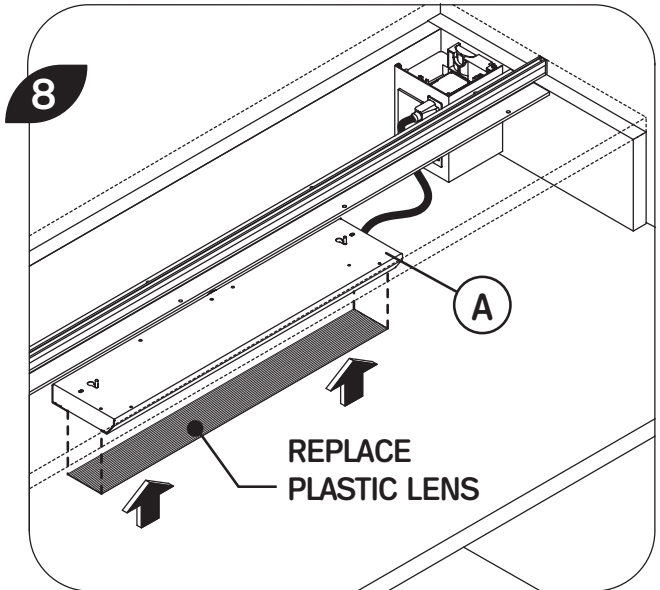
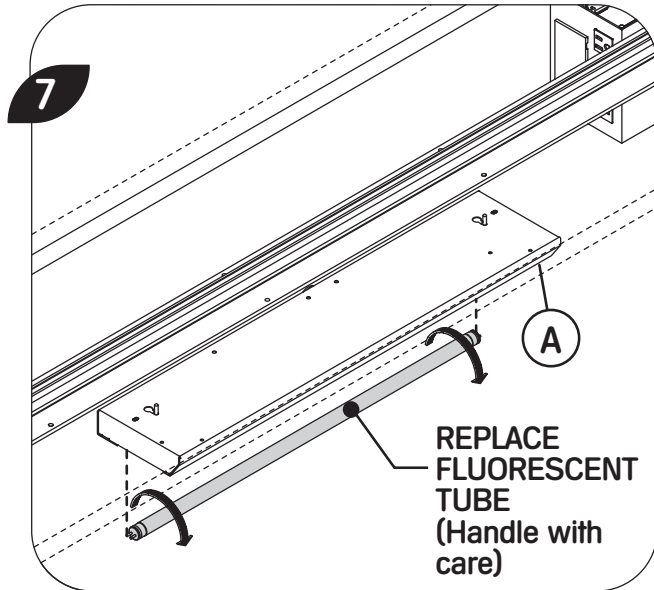
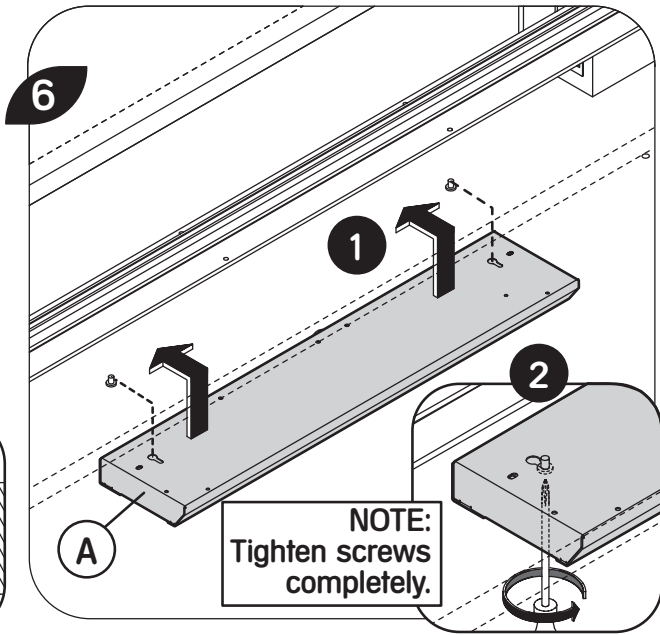
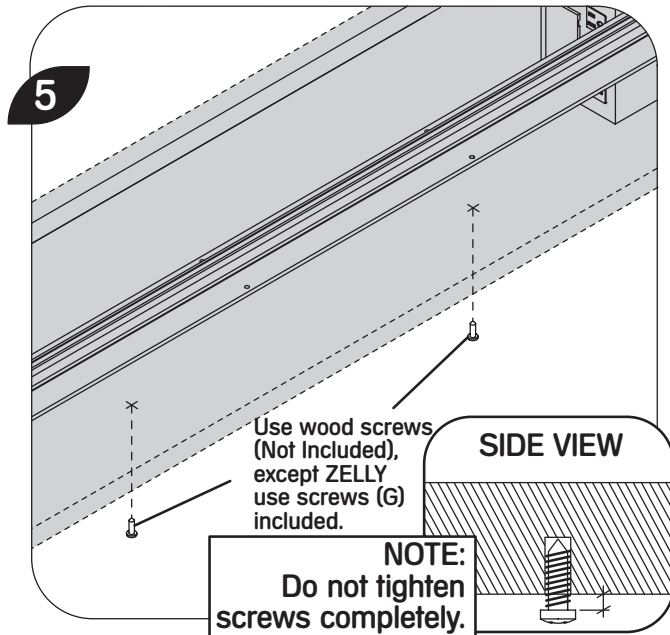


RLTY, BLTY and ZELLY – Mounted Storage Utility Light

MOUNTED STORAGE UTILITY LIGHT INSTALLATION (for Laminate Shelf) (Use RLTY if Desk-Mounted Shelf, BLTY if Standard Wall Cabinets) or ZELLY for Expansion Wood Product Line



RLTY, BLTY and ZELLY – Mounted Storage Utility Light



Expansion Casegoods Section – **Multi-Level Workstations, Mounted Storage & Accessories and Lighting, Electrics & Communications**

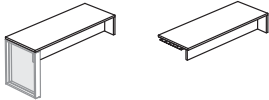
No. 2002

Expansion Wood Section – **Mounted Storage & Accessories and Lighting, Electrics & Communications**

B_MPG – Run-Off Worksurface with End Support – Low Secondary Desk
 B_MBG – Overlapping Bridge with End Support – Low Secondary Desk

B_WPA or ZEPA – Wall Panel
 BLED or ZELED – Linear LED Light

Product



B_MPG

B_MBG



**B_WPA
ZEPA**

**BLED
ZELED**

TOOLS REQUIRED:

Cross or Square Drive #2 and #3,
 3/32" Hexagonal Key, Malet,
 Wrench, Knife, Steel Saw,
 Measuring Tape, and Level

Run-Off Work. or Overlapping Bridge with End Support and Wall Panel - Part / Product Identification and What's Included

Ref.	Illustration	B_MPG or B_MBG	B_WPA or ZEPA	BLED or ZELED	Kit No. / Assy. No.
		Quantity			
A	Wall Panel As per Oder		1		
	OR Run-Off Worksurface or Overlapping Bridge As per Oder	1			
B	Wall Panel Fixation on Worksurface A15-64184	2	2 to 4		
C	Wall Panel Fixation A15-64183	2	2 to 4		
D	Wall Panel Storage Support A15-64182		2		
E	5/16" – 18 x 2" Leveler 501625 or 5/16" – 18 x 1 1/2" Leveler 501627 or 5/16" – 18 x 1" Leveler 501624		2		X80-64124
F	5/16" – 18 x 0,430" Insert E02-50166		2		
G	#8 x 5/8" Recex Pan Head W. Screw, Black 402100		4		
H	Fixation Clip B02-64000		2 to 5		
I	1/4" – 20 x 0.625 Quadrex Flat Head Mechanical Screw E04-50066		4 to 10		
J	N80-64223+XX				
	Finishing Top Rail A23-64149+XX		1		R80-64004 +XX
	AND Cover for Finishing Top Rail A25-64005		2		
AND #10 – 32 x 3/16" Hex Socket Set Screw Cup Point, Black E01-50748		2			

Reference Installation Guide:

No. 2026 Expansion Casegoods " Secondary Desks B_MSD, B_ASH "

For additional information on this installation contact Teknion I Roy & Breton **Technical Support.**











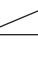


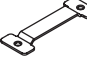


Issue Date: 2015 September 28

(L04-64121_R04)

B_MPG – Run-Off Worksurface with End Support – Low Secondary Desk
 B_MBG – Overlapping Bridge with End Support – Low Secondary Desk

B_WPA or ZEPA – Wall Panel
 BLED or ZELED – Linear LED Light

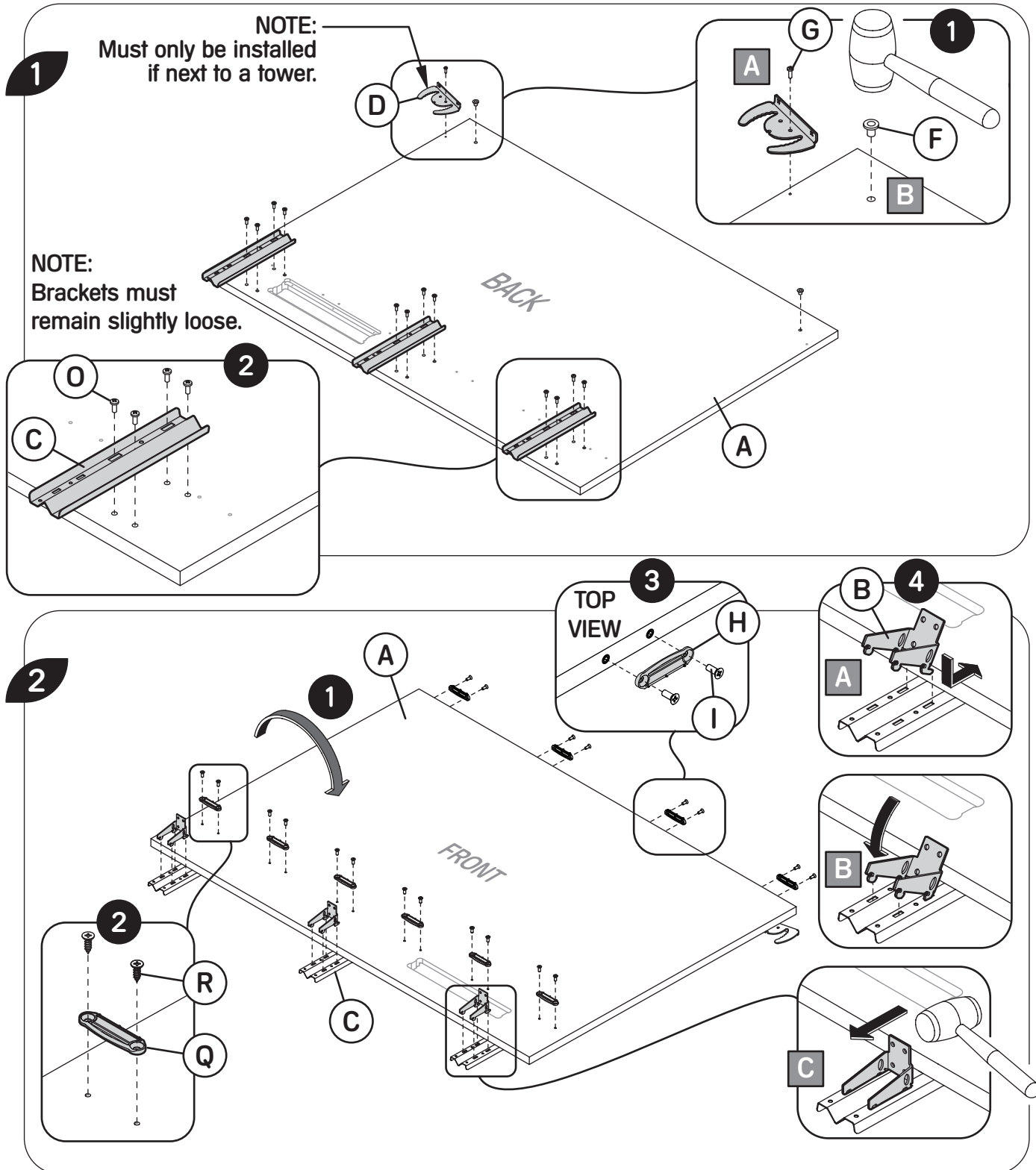
Run-Off Works. & Overlapping Bridge with End Support and Wall Panel - Part / Product Identification and What's Included (continued)

Ref.	Illustration	Quantity				Kit No. / Assy. No.
		B_MPG or B_MBG	B_WPA or ZEPA	BLED or ZELED		
		X80-64125	(24" to 42" w)	X80-64126 (48" to 60" w)	X80-64127 (66" to 84" w)	
M	 #8 x 5/8" Recess Pan Hd. W. Screw, Black 402100	8	8	12	16	
N	 #12 x 3/4" Quadrex Pan Hd. W. Screw, Black E04-50017	8	8	12	16	
O	 1/4" – 20 x 5/8" Quadrex Pan Hd. M. Screw, Zinc E01-50403	8	8	12	16	
P	 Accessory Rail N80-64184+XX			1		
Q	 Fixation Clip B02-64000			3 to 8		R80-64003 +XX (Only applicable with Accessory Rail)
R	 #14 – 3/4" Quadrex Flat Head W. Screw, Zinc E04-50057			6 to 16		
S	 Cover N/A	1		1		
T	 Power Bar Clip N/A	3		3		CVLP (Only applicable when Power and Data is specified)
U	 Quadrex Pan Head Wood Screw N/A	6		6		
V	 Power Bar N/A	1		1		
W	 Data Blank Plate N/A	1		1		
X	 Linear LED Light Body BLEDXX0S0A or ZELEDXX0S0A				1	BLED or ZELED
Y	 216" Length Wires and Power Supply N/A					
Z	 Magnetic Bracket MPA15-E614				2 or 3	
AA	 #10 – 32 x 3/16" Hex Socket Set Screw Cup Point, Black FS10-32x316LG				4 or 6	
	 7" Grey Adhesive Cord Clip PB02-E112				2 (for ZELED only)	

B_MPG – Run-Off Worksurface with End Support – Low Secondary Desk
 B_MBG – Overlapping Bridge with End Support – Low Secondary Desk

B_WPA or ZEPA – Wall Panel
 BLEED or ZELED – Linear LED Light

RUN-OFF WORK., OVERLAPPING BRIDGE OR WALL PANEL INSTALLATION

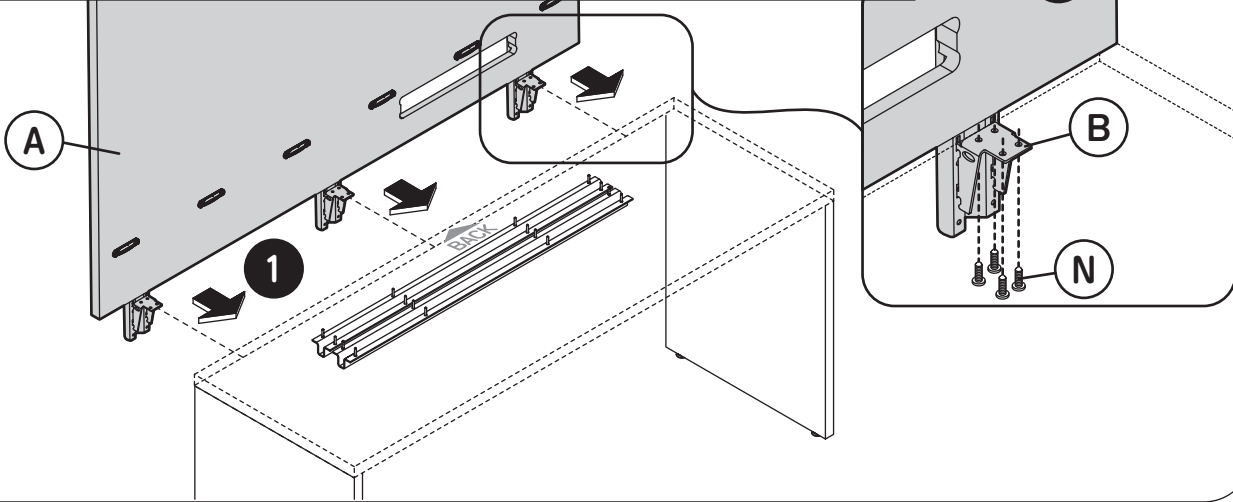


B_MPG – Run-Off Worksurface with End Support – Low Secondary Desk
 B_MBG – Overlapping Bridge with End Support – Low Secondary Desk

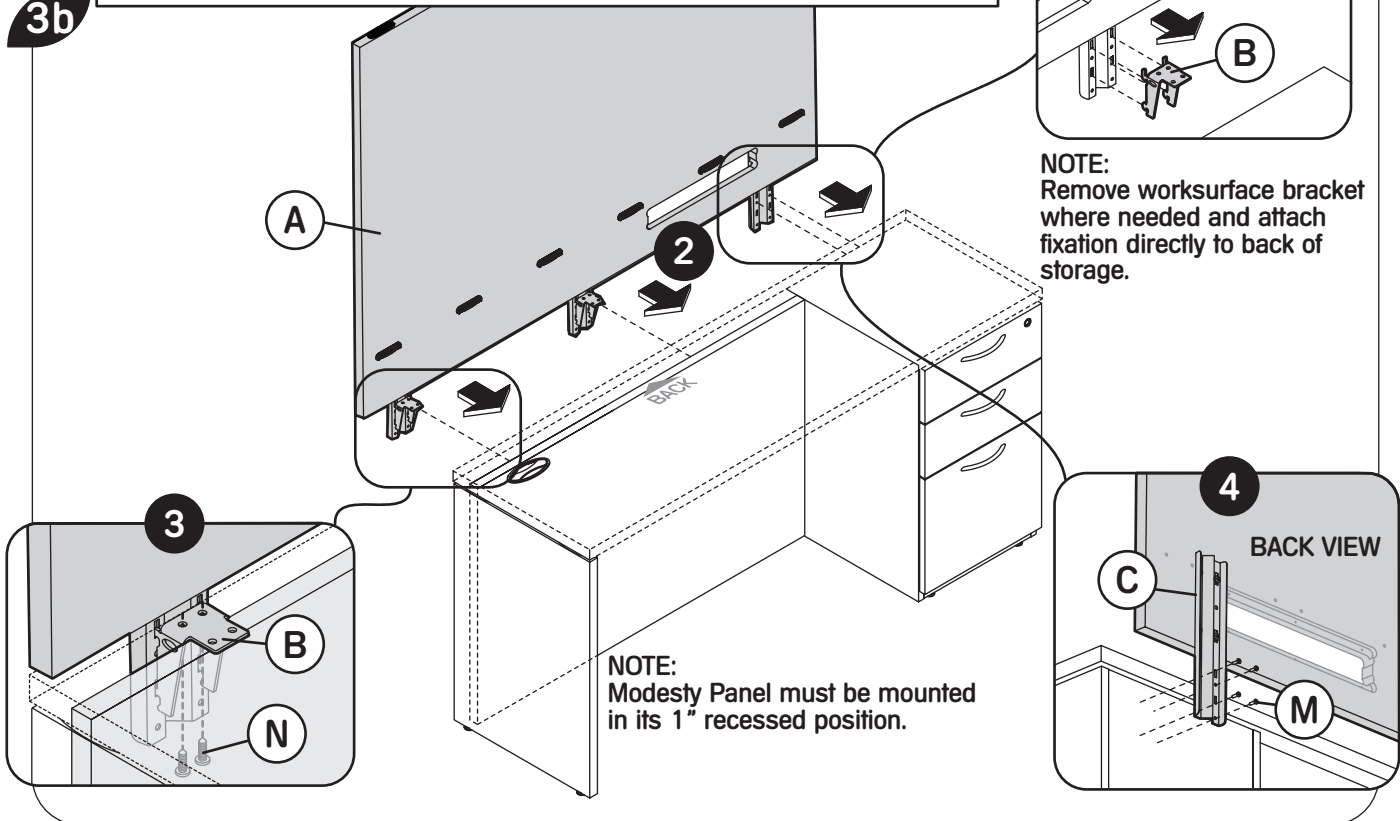
B_WPA or ZEPA – Wall Panel
 BLEED or ZELED – Linear LED Light

CAUTION: Anytime, Wall Panels installed on a Secondary Desk must always be done against a wall for stability issues.

3a ON SECONDARY DESK (B_MSD OR B_ASH) (EXPANSION CASEGOODS),
 CREDENZAS or STORAGE FOR CREDENZA UNIT (EXPANSION WOOD)

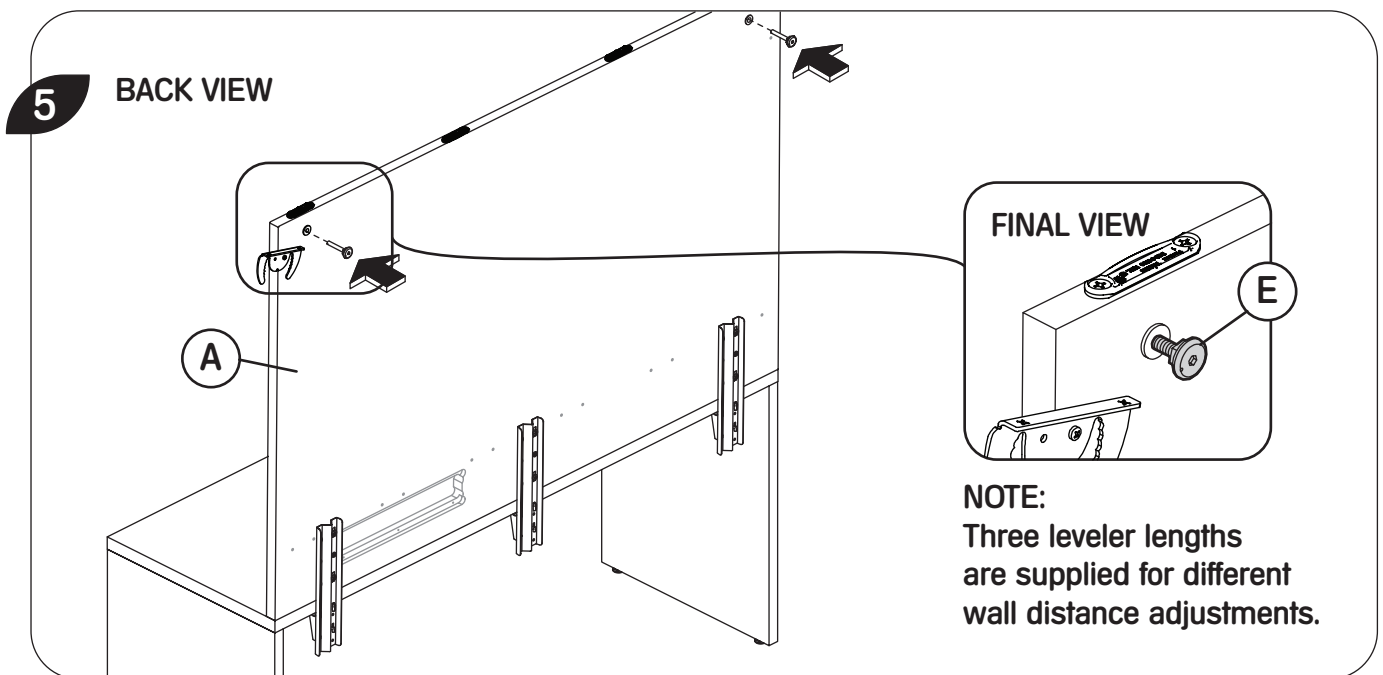
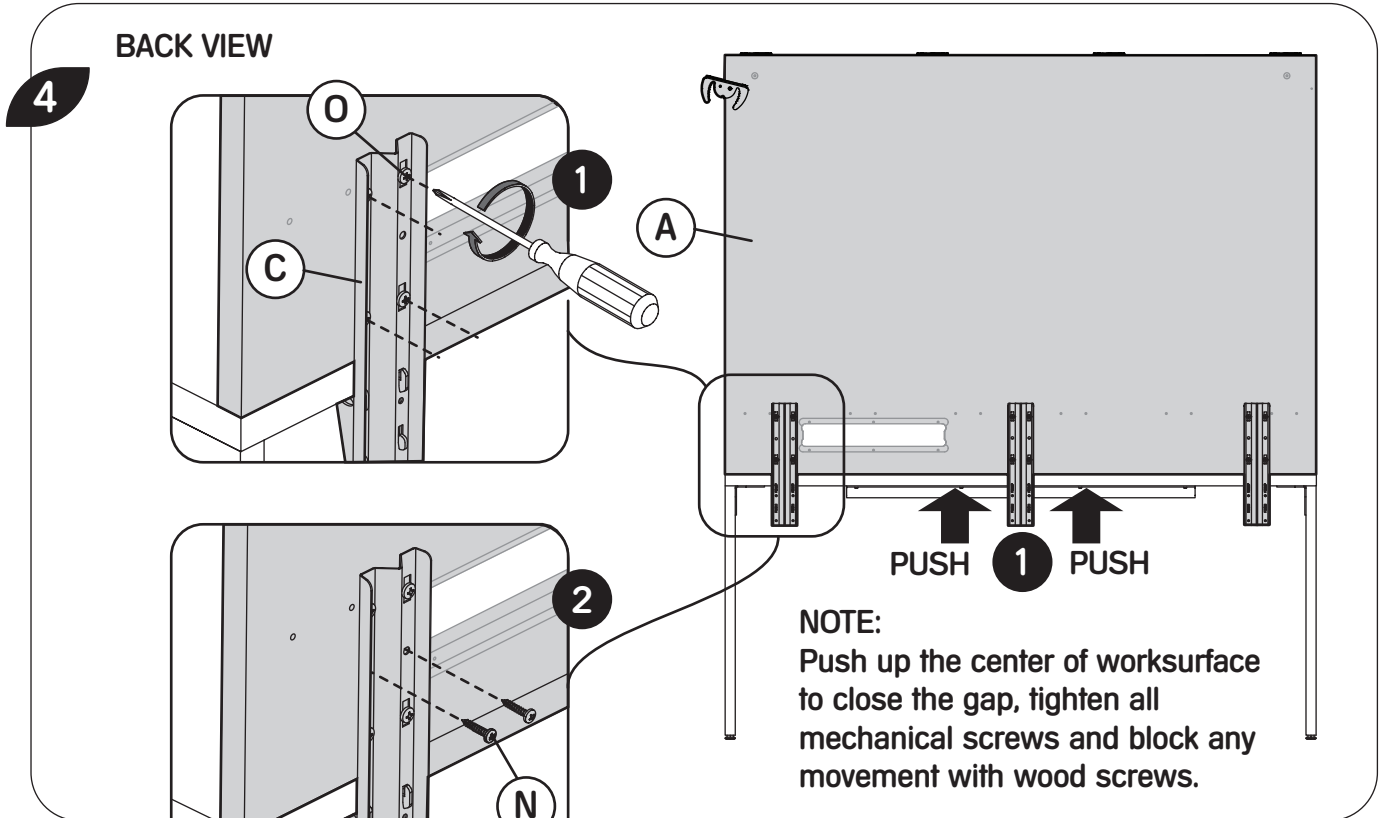


3b ON PRODUCTS WITH MODESTY PANEL (EXPANSION CASEGOODS),
 MODESTY PANELS ON RETURNS OR BRIDGES (EXPANSION WOOD)



B_MPG – Run-Off Worksurface with End Support – Low Secondary Desk
B_MBG – Overlapping Bridge with End Support – Low Secondary Desk

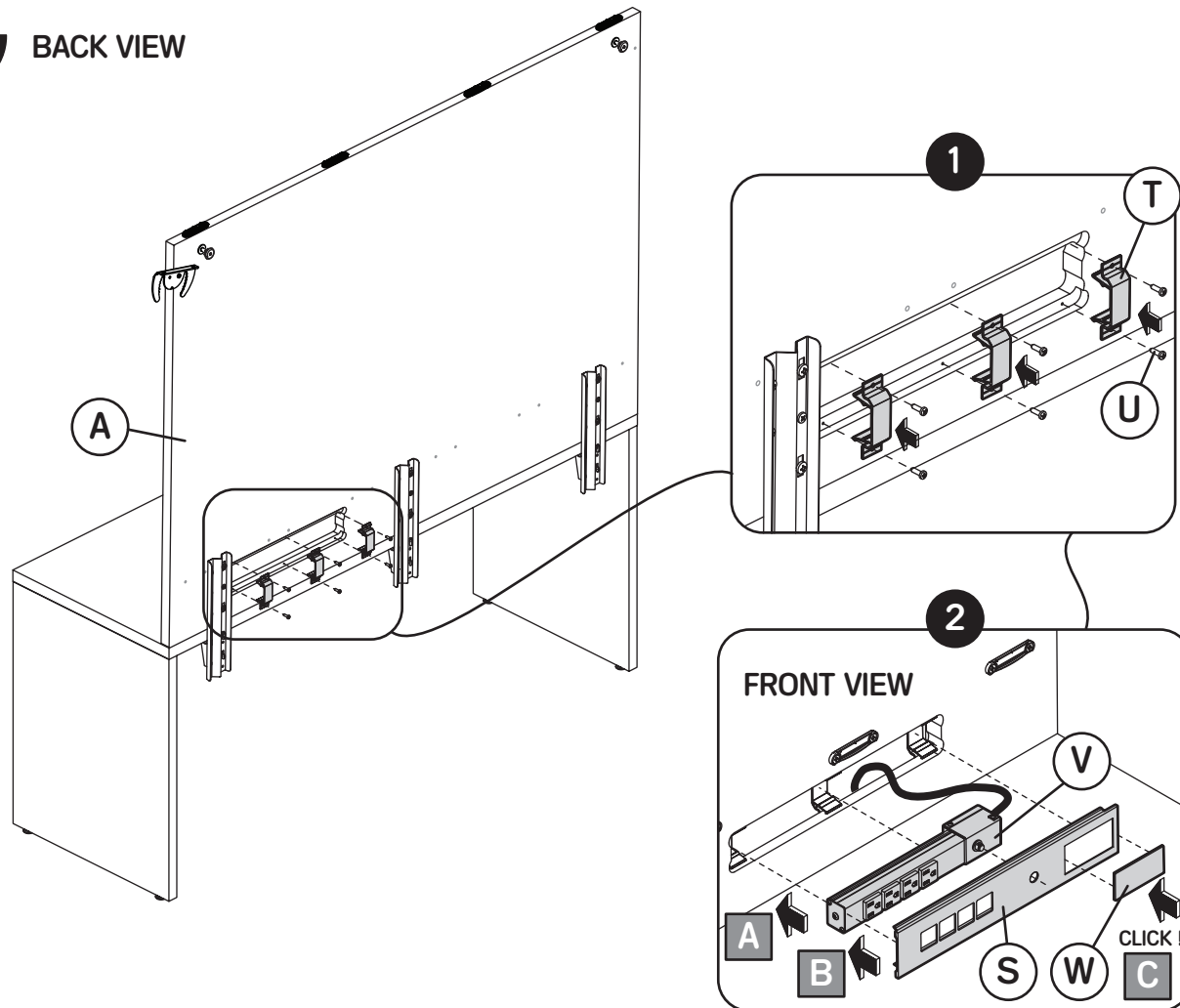
B_WPA or ZEPA – Wall Panel
BLED or ZELED – Linear LED Light



B_MPG – Run-Off Worksurface with End Support – Low Secondary Desk
B_MBG – Overlapping Bridge with End Support – Low Secondary Desk

B_WPA or ZEPA – Wall Panel
BLED or ZELED – Linear LED Light

6 BACK VIEW

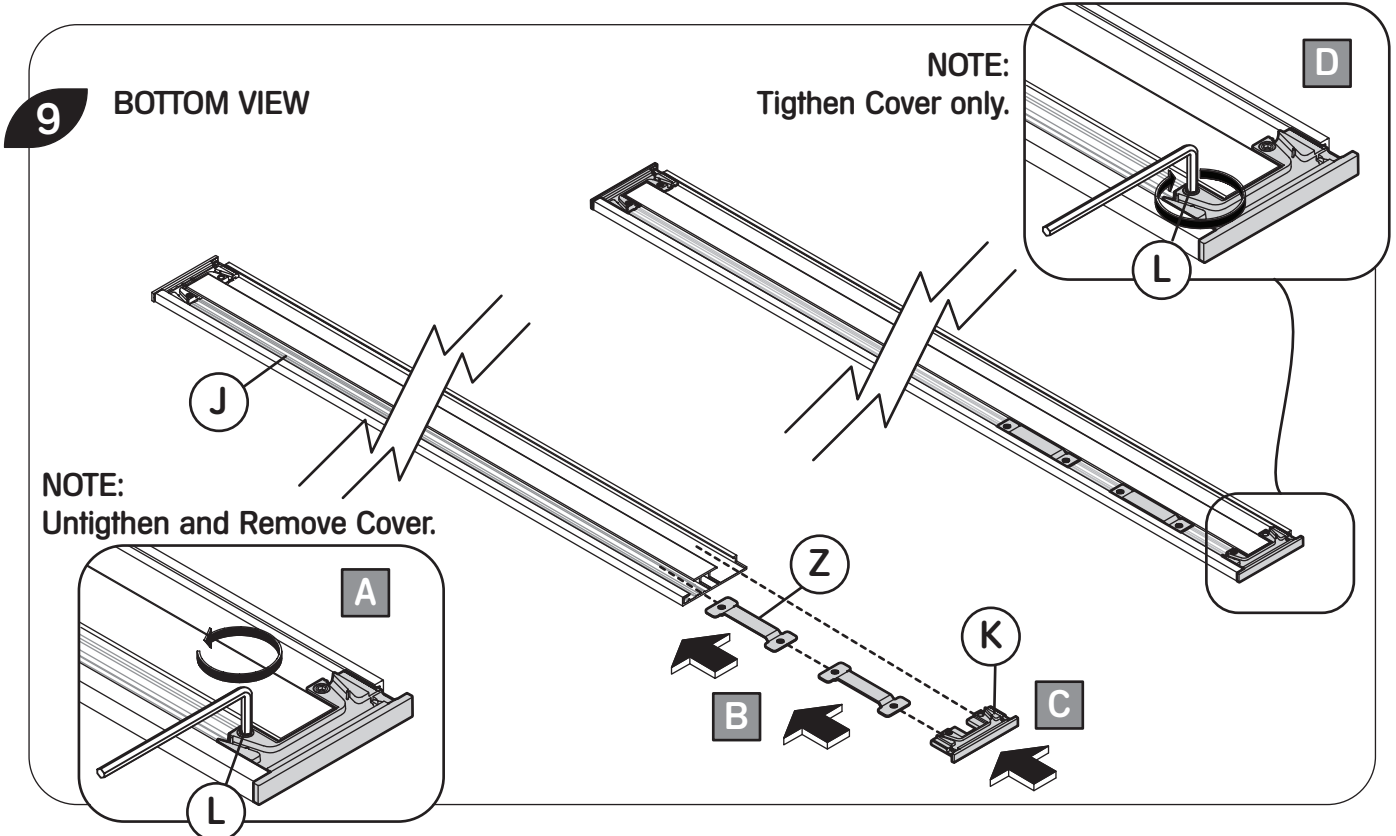
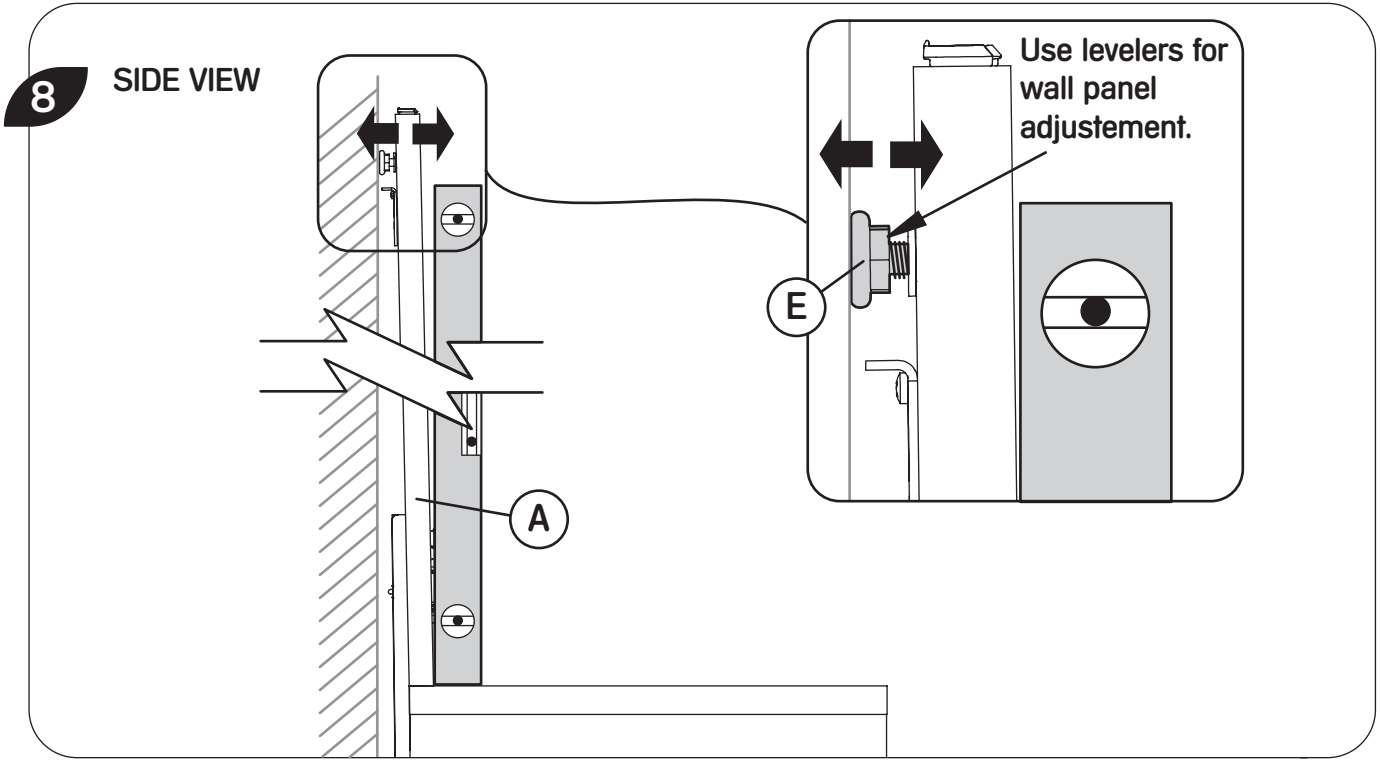


7 NOTE:

- 1- All electrical and lighting products must be connected to wall outlets at this step.
- 2- Push and level workstation on the building wall.
- 3- For Secondary Desks (B_MSD OR B_ASH) only, refer to steps 5 and 6 of the installation guide #2026 or L04-64020.

B_MPG – Run-Off Worksurface with End Support – Low Secondary Desk
B_MBG – Overlapping Bridge with End Support – Low Secondary Desk

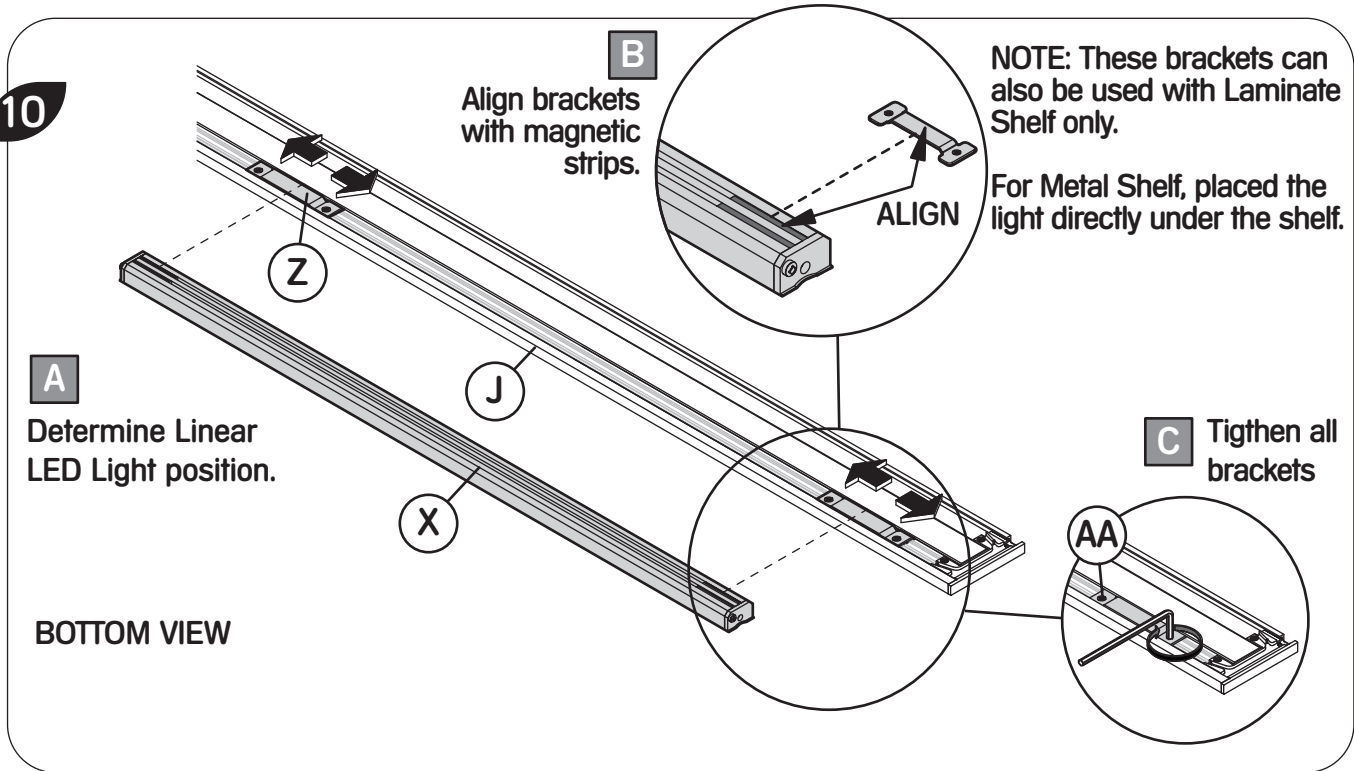
B_WPA or ZEPA – Wall Panel
B_LED or ZELED – Linear LED Light



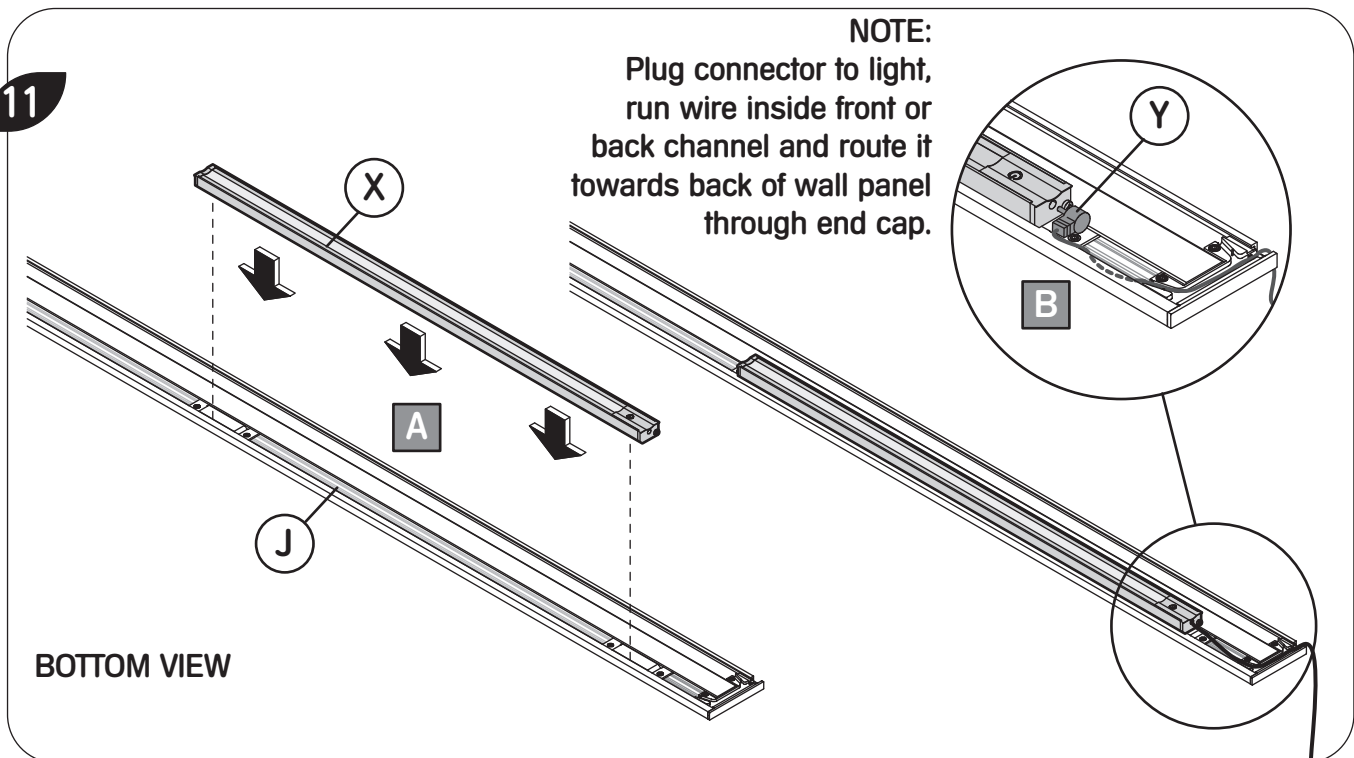
B_MPG – Run-Off Worksurface with End Support – Low Secondary Desk
 B_MBG – Overlapping Bridge with End Support – Low Secondary Desk

B_WPA or ZEPA – Wall Panel
 BLED or ZELED – Linear LED Light

10



11



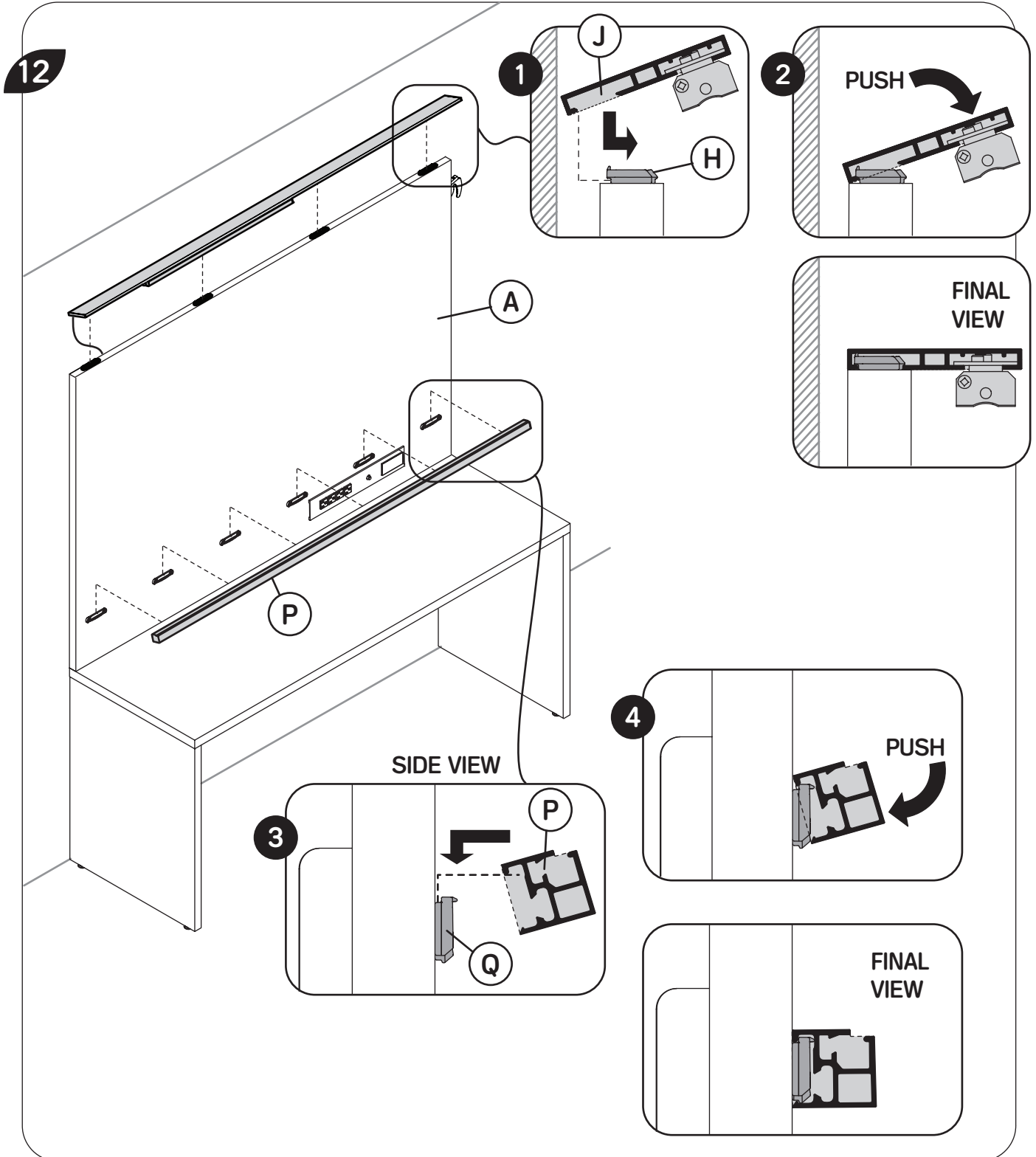
Expansion Casegoods Section – **Multi-Level Workstations, Mounted Storage & Accessories and Lighting, Electrics & Communications**

No. 2002

Expansion Wood Section – **Mounted Storage & Accessories and Lighting, Electrics & Communications**

B_MPG – Run-Off Worksurface with End Support – Low Secondary Desk
B_MBG – Overlapping Bridge with End Support – Low Secondary Desk

B_WPA or ZEPA – Wall Panel
BLED or ZELED – Linear LED Light



Training Section – Accessories

Expansion Desking, Expansion Casegoods, Expansion Wood & Thesis Section – Lighting, Electrics & Communications

W/R/S Section – Electrics

No. 1205

CTWT – Cable Tray (Training)

BLCT – Cable Tray (Expansion Casegoods)

ZELCT – Cable Tray (Expansion Wood)

RLWT – Cable Tray (Expansion Desking)

CVLT – Wire Tray (W/R/S)

THEMW – Cable Tray (Thesis)

Product



CTWT, RLWT, BLCT, ZELCT, CVLT and THEMW

TOOLS REQUIRED:

Cross or Square Drive #3

CABLE TRAY - Part / Product Identification and What's Included

Ref.	Illustration	Description	Part No. / Prod. Code	Qty.	Kit No. / Assy. No.
A		Cable Tray	B02-50125	1	N80-50017
B		#12 x 3/4" Quadrex Pan Head, Wood Screw, Zinc (preinstalled on cable tray)	E04-50017	3	

CABLE TRAY INSTALLATION

