

## height-adjustable bench - hiSpace

INDEX

By Section

\*Click on the desired Installation Guide to jump to the Guide page.

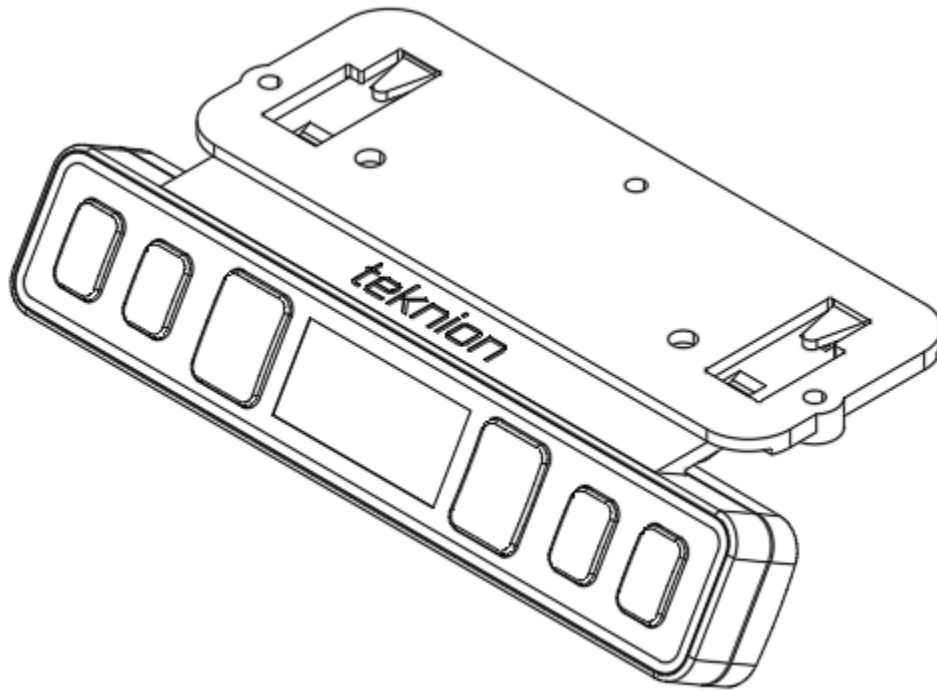
Product Name	Product Code	Guide No.	Last Updated
<b>INSTALLATION SUPPORT DOCUMENTS</b>			
Typical Installation Sequence			Sept 2018
Switch Instruction	D06-4726	001	Sept 2020
<b>FRAMES AND WORKSURFACE</b>			
Double-Sided Frame	HWBFYD	112	May 2023
Double-Sided Frame Fixed Height	HWBFYD2F		
Double-Sided Rectangular Worksurface w/ Square Corners	HWBWBD		
Double-Sided Rectangular Worksurface w/ Radius Corners	HWBWJD		
Double-Sided Base Link	HWBFBD		
No Spine Screen Cover Plate	HWBFTV		
Single-Sided Frame	HWBFYS	113	May 2023
Single-Sided Frame Fixed Height	HWBFYS2F		
Single-Sided Rectangular Worksurface w/ Square Corners	HWBWBS		
Single-Sided Rectangular Worksurface w/ Radius Corners	HWBWJS		
Single-Sided Base Link	HWBFBS		
Single-Sided Weldment Cover	HWBFSC		
Double-Sided Cable Riser - Mid	HWBECMD	114a	Feb 2022
Single-Sided Cable Riser - Mid	HWBECMS	114b	Feb 2022
Cable Riser - End	HWBEC E	115	Sept 2021
Double-Sided End Gable	HWBCGE	116	Feb 2022
Single-Sided Spine Tray	HWBF SH	117	May 2023
Spine Tray End Cover	HWBF TC		
Double-Sided Spine Tray	HWBF TH	118	May 2023
Spine Tray End Cover	HWBF TC		
Wire Bridge	HWBEWB	119	Sept 2021
120 Worksurface/ Square corners	HWBWBT	120	May 2023
120 Worksurface/ Radius corners	HWBWBJT		
120 Frame	HWBFYT		
Workplace Nameplate	HWBANP	121	Feb 2023
120 Wire Bridge	HWBEWT	122	Oct 2022
120 Cable Riser- Mid Riser	HWBECMT	123	Oct 2022

Product Name	Product Code	Guide No.	Last Updated
<b>CASUAL SPACE DIVISION</b>			
Double-Sided Desk Edge Screen - Infinity	HWBCDX	213	Sept 2021
Double-Sided Desk Edge Screen - Smooth Felt	HWBCDZ		
Smooth Felt Lateral Screen	HWBCLZ	214	May 2022
Double-Sided Spine Screen - Framed Fabric	HWBC TF	215	Sept 2021
Double-Sided Spine Screen - Solid	HWBC TS		
Double-Sided End of Run Screen - Framed Fabric Screen	HWBTWF	216	Sept 2021
Double-Sided End of Run Screen - Solid	HWBTWS		
Single-Sided Corridor Screen - Framed Fabric	HWBLSF	217	Feb 2023
Single-Sided Corridor Screen - Solid	HWBLSS		
hiSpace Single-Sided Corridor Screen Alignment Clip - Solid	HWBLBS		
<b>ELECTRICS</b>			
hiSpace Ceiling Feed	HHBECF	312	May 2022
hiSpace Chicago Ceiling Feed	HHBECFCH		
hiSpace Power Pole	HHBEPP		
Surface Access Power Box	HWBEAP	313	Sept 2021
Center Access Door	HWBECD		
hiSpace Base Feed	HWBEBF	314	Sept 2021
hiSpace Chicago Base Feed	HWBEBFCH		
hiSpace Split Base Feed	HWBEBFS		
Vertical Wire Carrier	HWBEEE	315	Feb 2022
hiSpace Power Module	HWBEPM	316a	May 2023
hiSpace Receptacle Outlet	HWBERO		
Power Harness	HWBEPH		
Rigid Connector	HWBELC		
hiSpace I Connector	HWBEIC		
Data Extender Plate	HWBEXP		
hiSpace Chicago Power Module	HWBEPMCH	316b	Feb 2022
Data Extender Plate	HWBEXP		
Felt Cover Cable Organizer	HWBEWY	317	May 2022

Product Name	Product Code	Guide No.	Last Updated
--------------	--------------	-----------	--------------


## User Instruction

### hiSpace Display Switch w\ Memory (D06-4726)



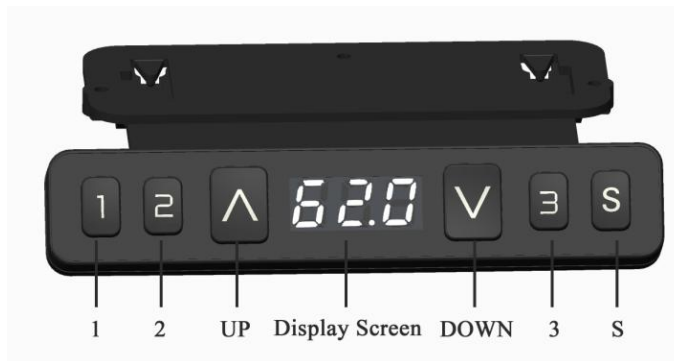
Note: Please Use the Below Mentioned Instruction to Setup the Display Switch.

# KDH064B USER OPERATION INSTRUCTION

 Read this instructions before operation


## Digital Handset Operation

Picture



### 1. Initialization procedure

Step	Operation	Motion
1	Press and hold ▲&▼ simultaneously more than 6 seconds	Legs begin to move down at a half speed of normal operation
2	Keep pressing ▲&▼	Legs move down to the lowest position and rebound 2-5 mm, then stop
3	Release ▲&▼ together	Initialization is completed

 The initialization procedure must be completed before the first running after table is installed or parts replaced

### 2. Move up and down

Step	Operation	Motion
1	Press and hold ▲	Legs move up
2	Release ▲	Legs stop
3	Press and hold ▼	Legs move down
4	Release ▼	Legs stop

### 3. Set memory positions 1/2/3


Step	Operation	Motion
1	Press and hold ▲ or ▼, then release	Run the legs to the position you want the table surface to be
2	Click button S, then click button 1 or 2 or 3 within next 3 seconds	Position 1 or 2 or 3 is saved

### 4. Move to the memorized positions

Step	Operation	Motion
1	Press and hold the button 1 or 2 or 3	Legs return to the corresponding position saved


### 5. Turn on/off the one touch key function

Step	Operation	Motion
1	Press key “S” for more than 5 seconds	Screen flashes “---”
2	Release key “S”, then press key “1” in 3 seconds.	Letter “H-0” or “H-1” is indicated on the screen. That means the function is turned on or turned off
3	Press $\wedge$ or $\vee$ to modify the function	“H-0” shows the function is turned off, “H-1” shows the function is turned on.
4	Press key “S” for 2 seconds	completed

 1. Tacitly approve the one touch key function is turned off.


### 6. Toggle the display unit format

Step	Operation	Motion
1	Press and hold button S, then press and hold $\nabla$ , keep about 3 seconds	The height information will be changed between centimeters and inches
2	Release the buttons	completed

 In inch format, the minimum height variation as the legs move up or down is 0.5 inches, while in centimeter format is 1 centimeter

### 7. Verify the display switch data to table height

Step	Operation	Motion
1	Set the table at any height, recommended at the bottom position	Measure the table actual height and write down the number in inches or in centimeters
2	Press and hold button S, then press and hold $\blacktriangle$ , keep about 3 seconds	The first number is flashing on the screen
3	Release the buttons, then click $\blacktriangle$ or $\blacktriangledown$ to change the first number	The first number is being increased or decreased to the first number you measured
4	Click button S	The second number is flashing on the screen
5	Click $\blacktriangle$ or $\blacktriangledown$ to change the number	The second number is being increased or decreased to the second number you measured
6	Click button S	The third number is flashing on the screen
7	Click $\blacktriangle$ or $\blacktriangledown$ to change the number	The third number is being increased or decreased to the third number you measured
8	Click button S	Completed

 Check the switch display format in inches or in centimeters and toggle to the unit you like and match to the actual measurement. In inch format, the minimum adjustable height is 0.5 inches, while in centimeter format is 1 centimeter.



8. Lock the Bottom stroke limit

Step	Operation	Motion
1	Press and hold ▲ or ▼, then release	Run the legs to the position you want the table surface to be
2	Press and hold button S, then press and hold 1, keep about 3 seconds	Letter “_L_” is indicated on the screen. That means the position is locked at the lowest position that the table can be moved to
3	Release the buttons	Completed



1. Legs aren't able to run below the locked position
2. Memory position(s) below the locked position will lost even after the table is unlocked, you need to follow SET MEMORY POSITIONS again to reset these memory positions
3. Initialize will unlock the bottom limit.

9. Lock the top stroke limit

Step	Operation	Motion
1	Press and hold ▲ or ▼, then release	Run the legs to the position you want the table surface to be
2	Press and hold button S, then press and hold 3, keep about 3 seconds	Letter “_L_” is indicated on the screen. That means the position is locked at the highest position that the table can be moved to
3	Release the buttons	Completed



1. Legs aren't able to run above the locked position
2. Memory position(s) above the locked position will lost even after the table is unlocked, you need to follow SET MEMORY POSITIONS again to reset these memory positions
3. Initialize will not unlock the top limit.

10. Unlock the top/bottom stroke

Step	Operation	Motion
1	Press and hold button S, then press and hold 2, keep about 3 seconds	Letter “-C-” is indicated on the screen. That means the table's unlocked and can be moved in full range
2	Release the buttons	Completed

11. Adjust the sensitivity of gyro anti-collision

Step	Operation	Motion
1	Press and hold button S, for about 5 seconds	“_____” is flashing on the screen.
2	Lossen the button “S”, press button “3” in 6 seconds.	“G—2” is flashing on the screen shows the sensitivity is level 2
3	Press ^ or v to change the sensitivity.	The sensitivity has four levels: “G—0”, “G—1”, “G—2”, “G—3”, “G—4”, G-0 shows the sensitivity is useless, G-4 shows the highest sensitivity.
4	Press button S for more than 2 seconds.	Finish the setting



Whatever current sensitivity level setting is, every time the resetting of the sensitivity is level 2.

## 12. Error code

Step	Operation	Motion
E01	Leg malfunction	<ol style="list-style-type: none"> <li>1. legs loosed to the control box, check the cable connection, ensure the connection.</li> <li>2. Inner parts of legs are broken, replace the legs</li> </ol>
E03	Table top overload	<ol style="list-style-type: none"> <li>1. Too many loads on table top, remove the loads.</li> </ol>
E04	Control box malfunction	<ol style="list-style-type: none"> <li>1. under extreme environment, operating will cause the control box malfunction, initial procedure needed</li> <li>2. discontinue the initialize process will cause the control box malfunction, reinitialize needed.</li> </ol>
E05	Button of switch stuck	<ol style="list-style-type: none"> <li>1. button of switch stuck, check the status of the button, if stuck then toggle the button to restore.</li> <li>2. Replace the switch</li> </ol>
E06	Communication disconnected	<ol style="list-style-type: none"> <li>1. Disconnection between switch and control box, ensure the connection correctly</li> <li>2. Check the control box works correctly</li> </ol>
E07	Lower setting of switch verifying height	<ol style="list-style-type: none"> <li>1. switch setting height is low, the height value is below 0, needs to adjust the height, lift the table</li> </ol>
E08	Electrical short circuit	<ol style="list-style-type: none"> <li>1. Check whether the motor cable is damaged, and replace the motor cable if necessary</li> <li>2. 2. Power on again. If the fault does not disappear, check whether the motor is working properly</li> </ol>
E09	Abnormal HALL	<ol style="list-style-type: none"> <li>1. Re-initialization can be used normally</li> </ol>
E10	Drive anomalies	<ol style="list-style-type: none"> <li>1. Cut off the power supply to cool the control box for 1 minute and re-power it. If the fault does not disappear, the control box need be replaced</li> </ol>

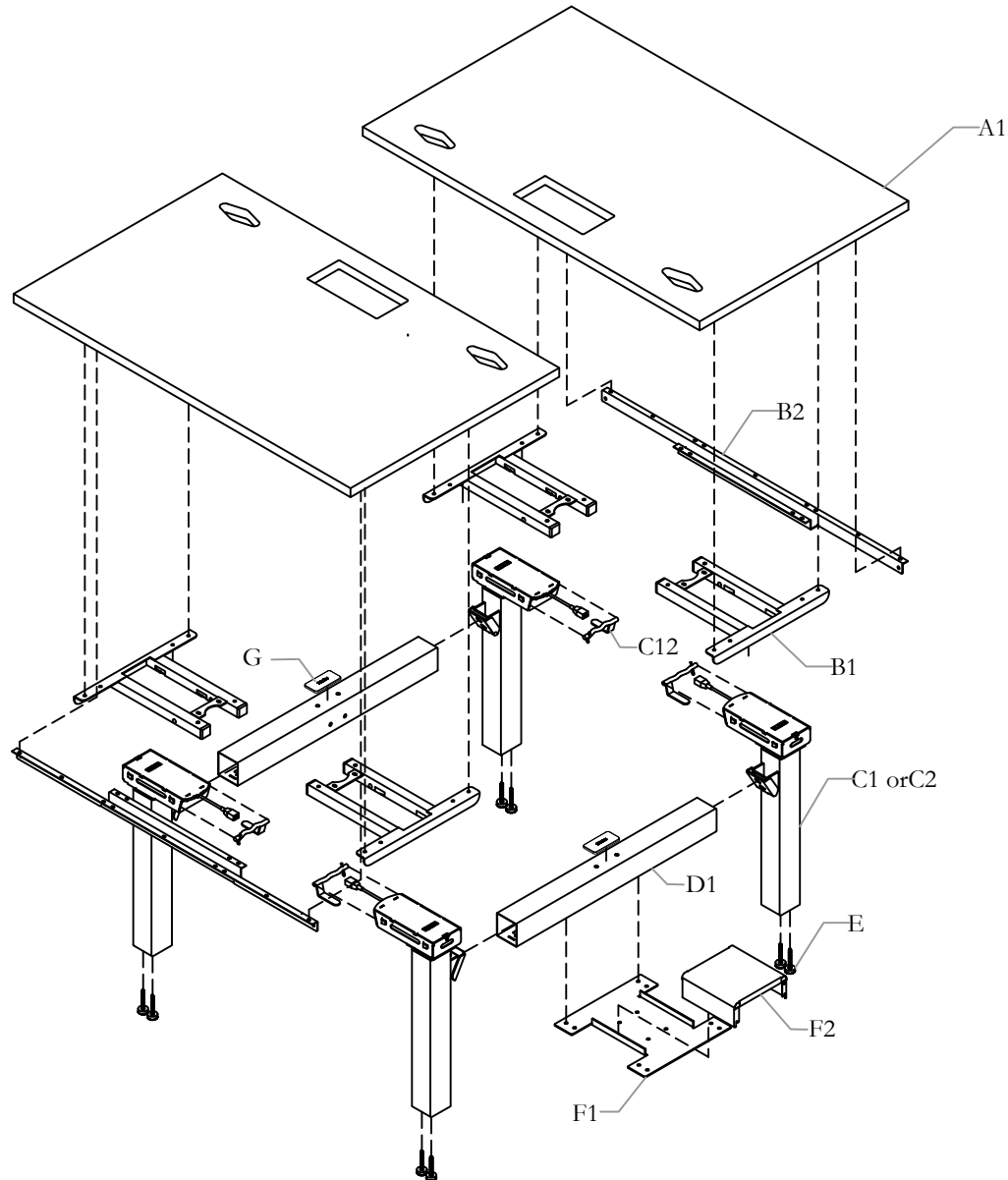
# TROUBLE SHOOTING

Fault Phenomenon	Handling
After connecting the power, press ▼ or ▲, the legs have no response.	Re-initialize the table;
	Check if the connection is correct or not;
	Please contact with your supplier.
After connecting the power, press and hold ▼ and ▲, the legs have no response.	Check if the connection is correct or not;
	Please contact with your supplier.
The legs rising slowly.	Check if the input power is correct or not; Please contact with your supplier
The legs don't move according to your operation.	Please contact with your supplier.
One leg moves while the other leg does not move.	Check if the connection is correct or not;
	Please contact with your supplier.
Legs only move down and don't move up.	Re-initialize the table;
	Please contact with your supplier.
Table slides down itself.	Check if the weight of the load on the table exceeds 75KG or not;
	Please contact with your supplier.
The table goes into initialization frequently.	Check if the weight of the load on the table exceeds 75KG or not;
	Check the noise of the motor;
	Please contact with your supplier.

Section: **HEIGHT ADJUSTABLE BENCH**  
Description: **FRAME DOUBLE-SIDED HAB**

Date: May 2023 Page No: 1 of 23  
HABH\_112 Rev. No: 2

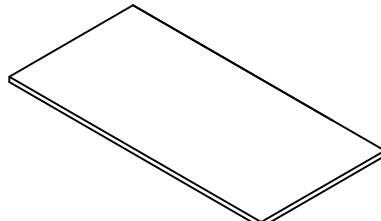
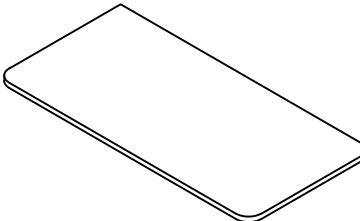
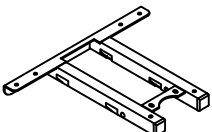
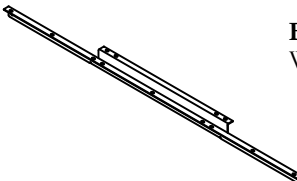
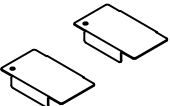

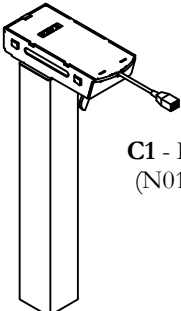
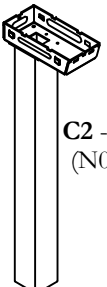

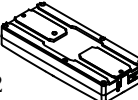
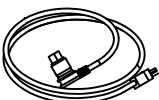


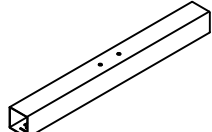


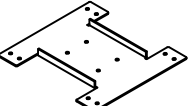
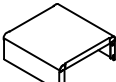


Double-Sided Rectangular Worksurface w/Square Corners (HWBWBD), Double-Sided Rectangular Worksurface w/Rounded Corners (HWBWJD), Double-Sided Frame (HWBFYD), Double-Sided Frame Fixed Height (HWBFYD2F), Double-Sided Base Link(HWBFBD) and No Spine Screen Cover Plate (HWBFTV)



Section: **HEIGHT ADJUSTABLE BENCH**  
 Description: **FRAME DOUBLE-SIDED HAB**

Date: May 2023 Page No: 2 of 23  
 HABH\_112 Rev. No: 2

## Part and Product Identification

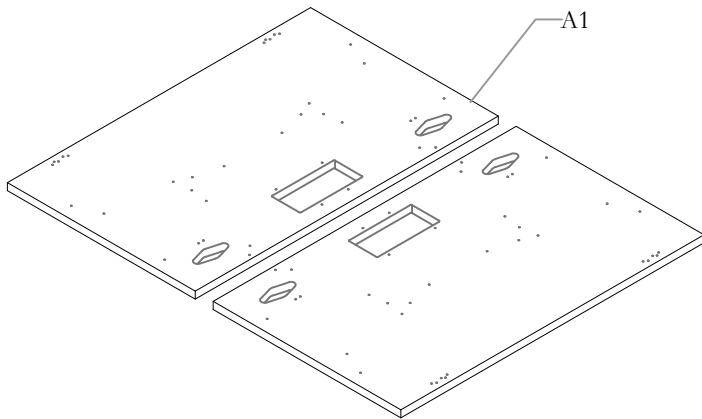
<p><b>A - Worksurface</b></p>		<p><b>A1 - Double-Sided Worksurface (HWBWBD) x1</b></p>	<p><b>OR</b></p>		<p><b>A2 - Double-Sided Worksurface w/Radius Corners (HWBWJD) x1</b></p>		
<p><b>B1 - Leg Mount Bracket (N09-9873-X) x4</b></p>		<p><b>B2 - Reinforcement Bar for Worksurface (A16-11193) x2</b></p>		<p><b>B3 - Worksurface Installation Alignment Kit (X01-3835) x1</b></p> 	<p><b>B4 - #10 x 0.875" LG. Screw, Quad.Pan Washer (E07-0077) x56</b></p> 		
<p><b>Double-Sided Frame (HWBFYD) x1</b></p>	<p><b>C1 - Leg L/R (N01-8527) x4</b></p> 	<p><b>C2 - Leg L/R (N01-7476) x4</b></p> 	<p><b>C3 - Keypad, hiSpace Table (D06-4276) x2</b></p> 	<p><b>C4 - Control Box w/Anti Collision (D06-4313) x2</b></p> 	<p><b>C5 -Right-Angle ConnectorCable, 1m Lg (D06-4277)x4</b></p> 	<p><b>C6 - Cable Clamp (B02-0558) x20</b></p> 	<p><b>C7 -5x25mm Wood Screw (E01-1415) x4</b></p> 
<p><b>D - Frame Connecting Kit, DS (X01-4011-X)</b></p>	<p><b>D1 -Frame Connecting Tube Assm. DS (N01-4877-X) x2</b></p> 	<p><b>D2 -M8x25mm Flat SHS (E01-1410) x4</b></p> 	<p><b>E -Leveler, M6 x 54mm Long (D06-4291) x8</b></p> 				
<p><b>F - Double-Sided Base Link (HWBFBD) x1</b></p>	<p><b>F1 - Base Link (A16-8730) x1</b></p> 	<p><b>F2 - Base Link Cover (a16-8726) x1</b></p> 	<p><b>F3 - M6 x 16mm Screw (E01-1409) x4</b></p> 	<p><b>G - No Spine Screen Cover Plate (HWBFTV) x2</b></p> 			

Section: **HEIGHT ADJUSTABLE BENCH**  
Description: **FRAME DOUBLE-SIDED HAB**

Date: May 2023 Page No: 3 of 23  
HABH\_112

## PLACE AND ALIGN WORKSURFACES

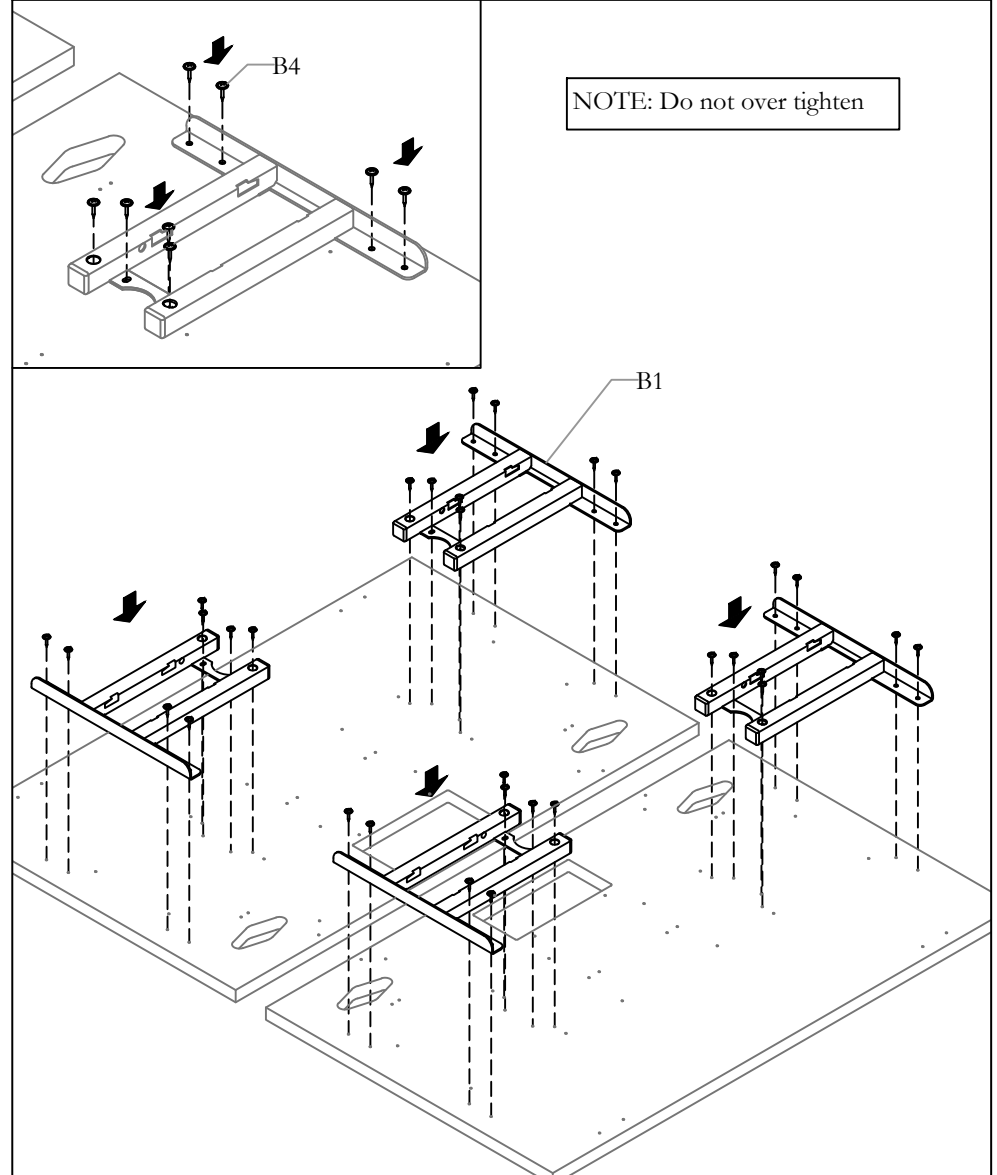
NOTE: Worksurfaces upside down



STEP 1: Place both Worksurfaces upside down on the ground with pilot holes facing up and align with each other as shown.

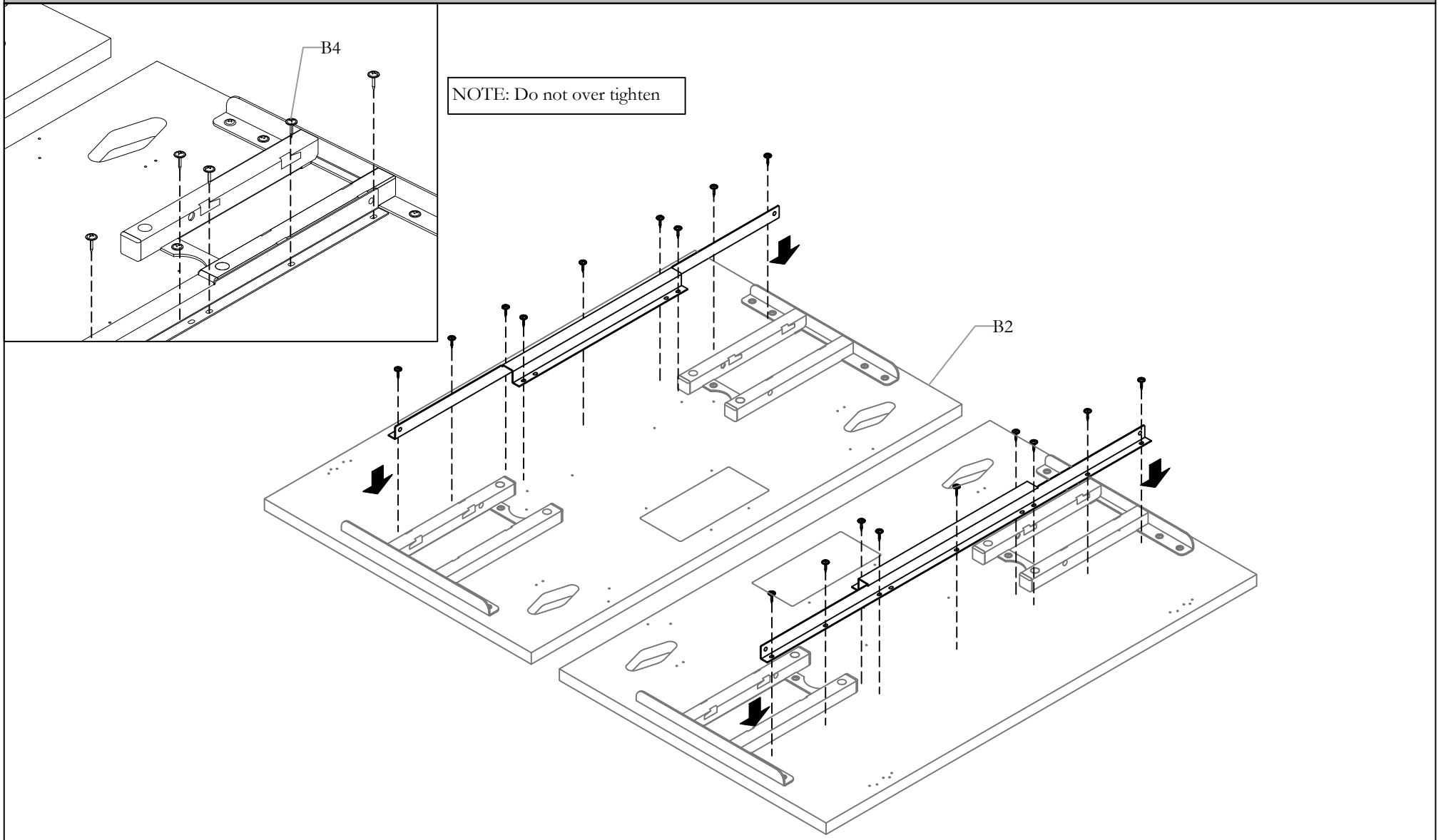
## ATTACH LEG MOUNT BRACKETS

NOTE: Do not over tighten



STEP 2: Attach the Leg Mount Brackets to both Worksurfaces and secure with provided screws.

## ATTACH REINFORCEMENT BARS

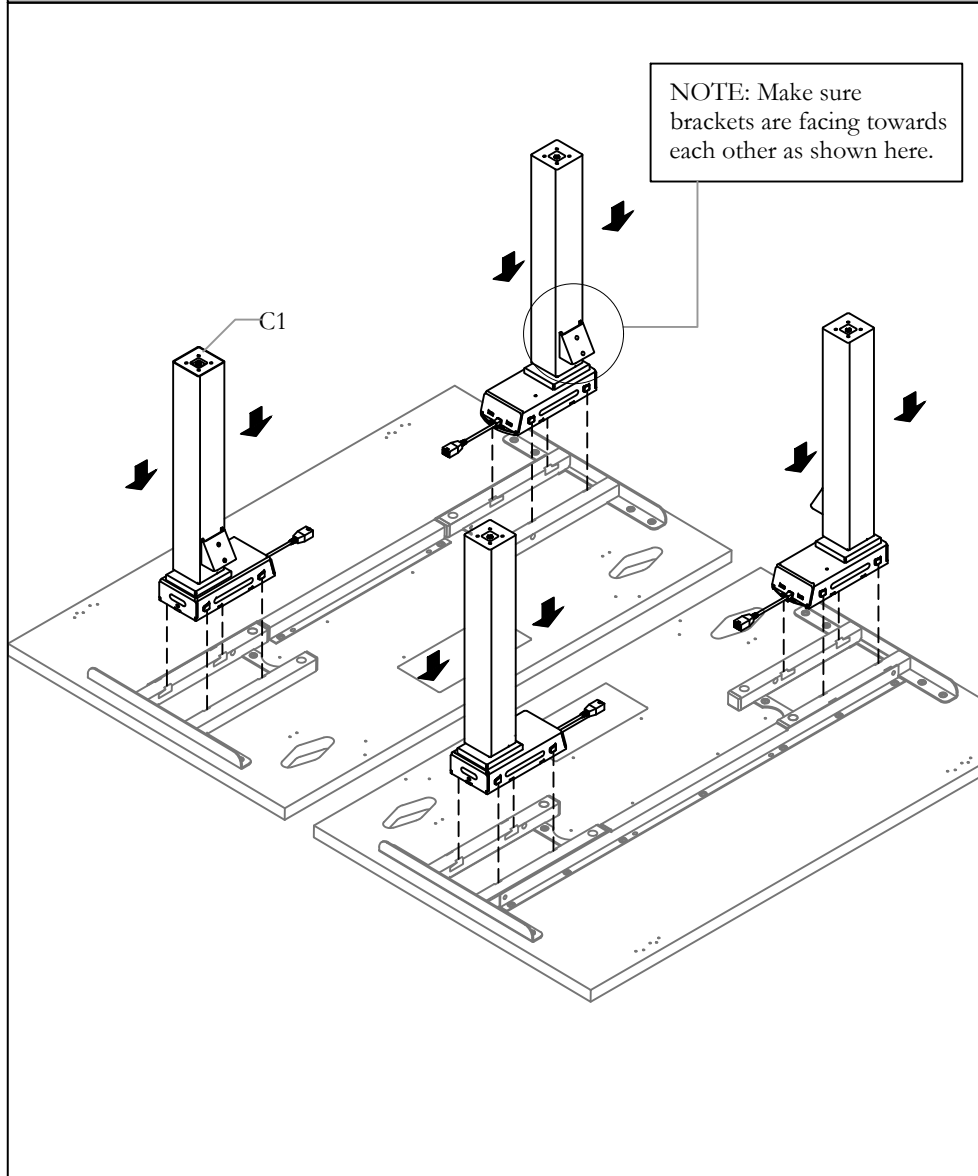


STEP 3: Attach the Reinforcement Bars to the Worksurfaces and secure in place with provided screws.

Section: HEIGHT ADJUSTABLE BENCH  
Description: FRAME DOUBLE-SIDED HAB

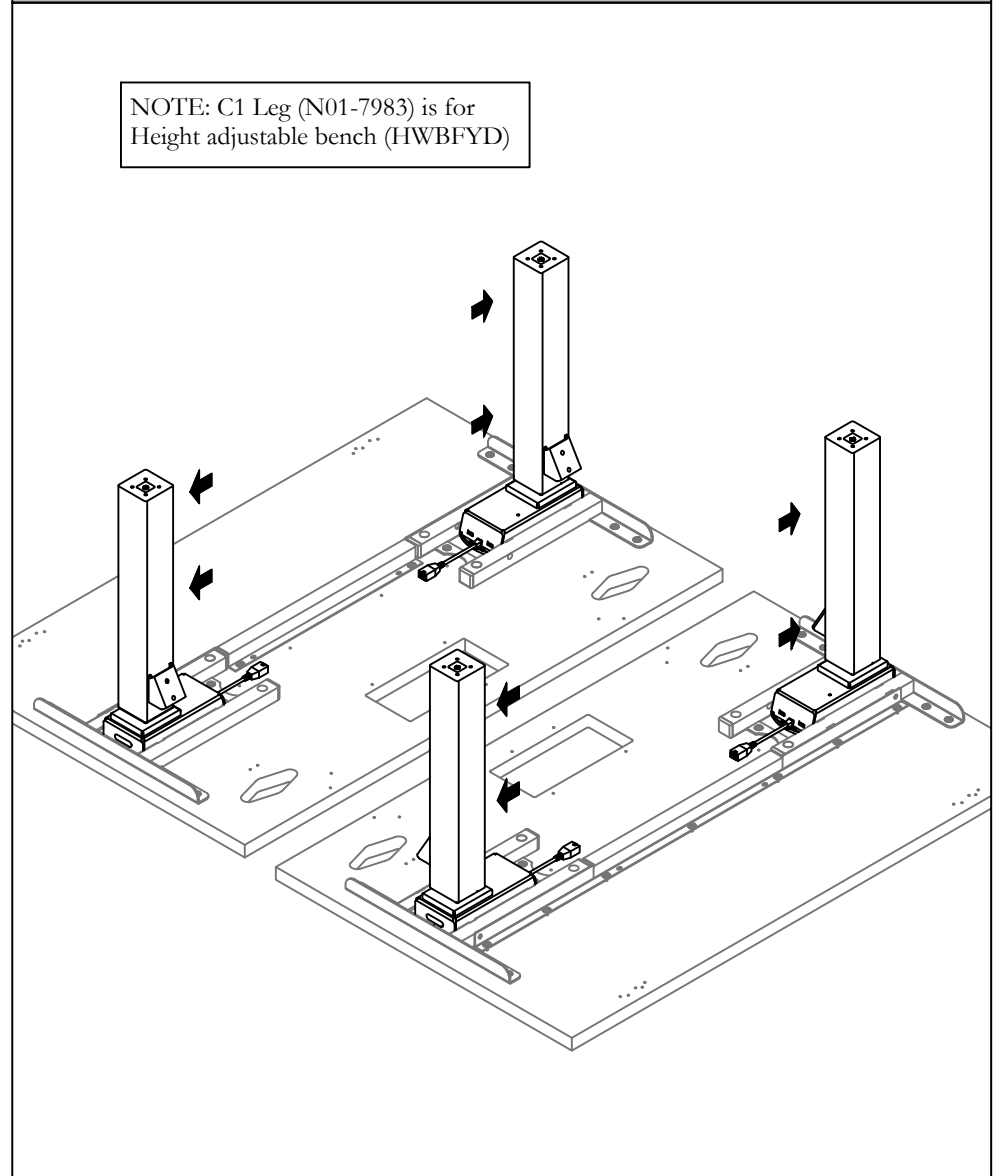
Date: May 2023 Page No: 5 of 23  
HABH\_112

## ATTACH LEGS TO BRACKET



STEP 4A: Attach Legs to the Leg Mounts by lining up with holes. Brackets should face towards the back of each Worksurface.

## SECURE LEGS - 1



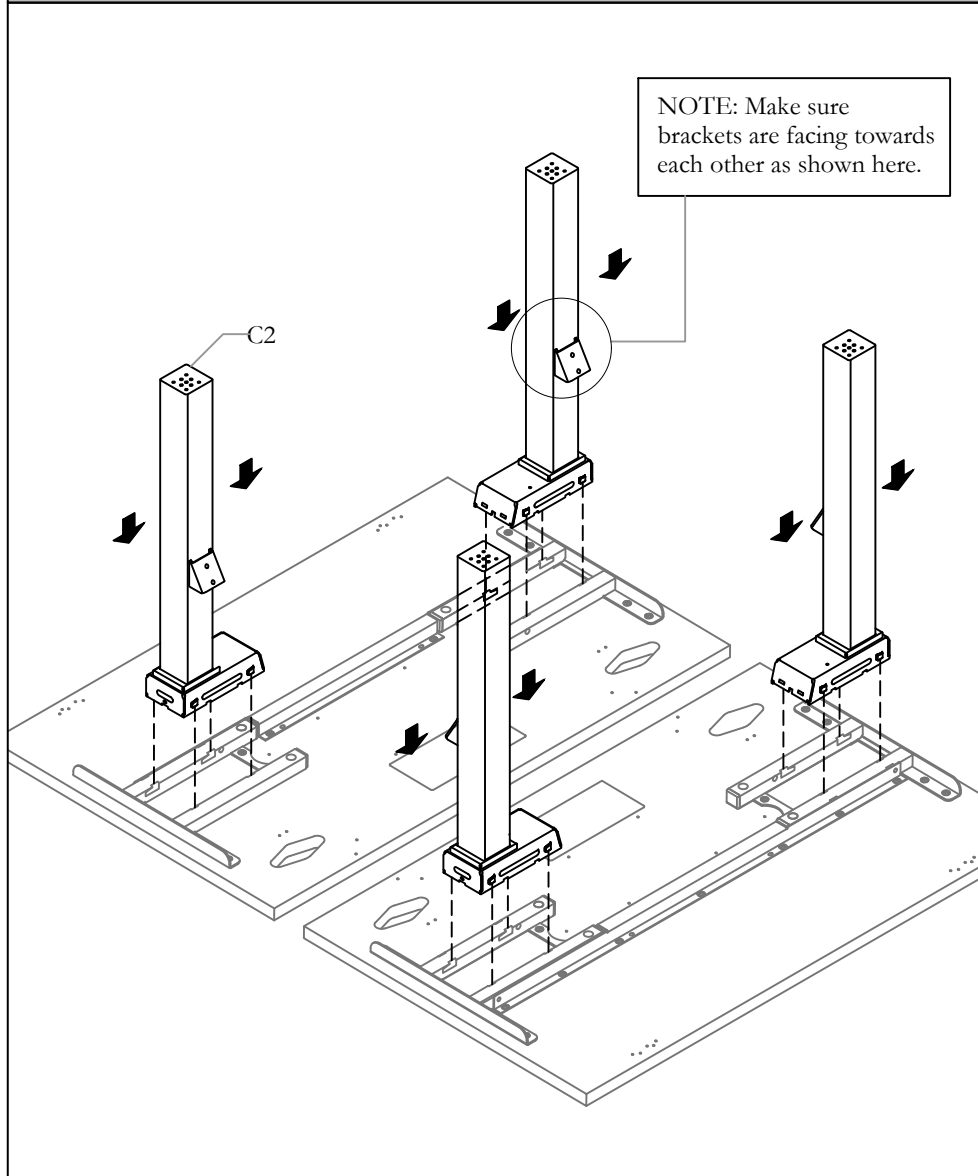
STEP 5A: Push Legs towards the outer side of each Worksurface.



Section: **HEIGHT ADJUSTABLE BENCH**  
Description: **FRAME DOUBLE-SIDED HAB**

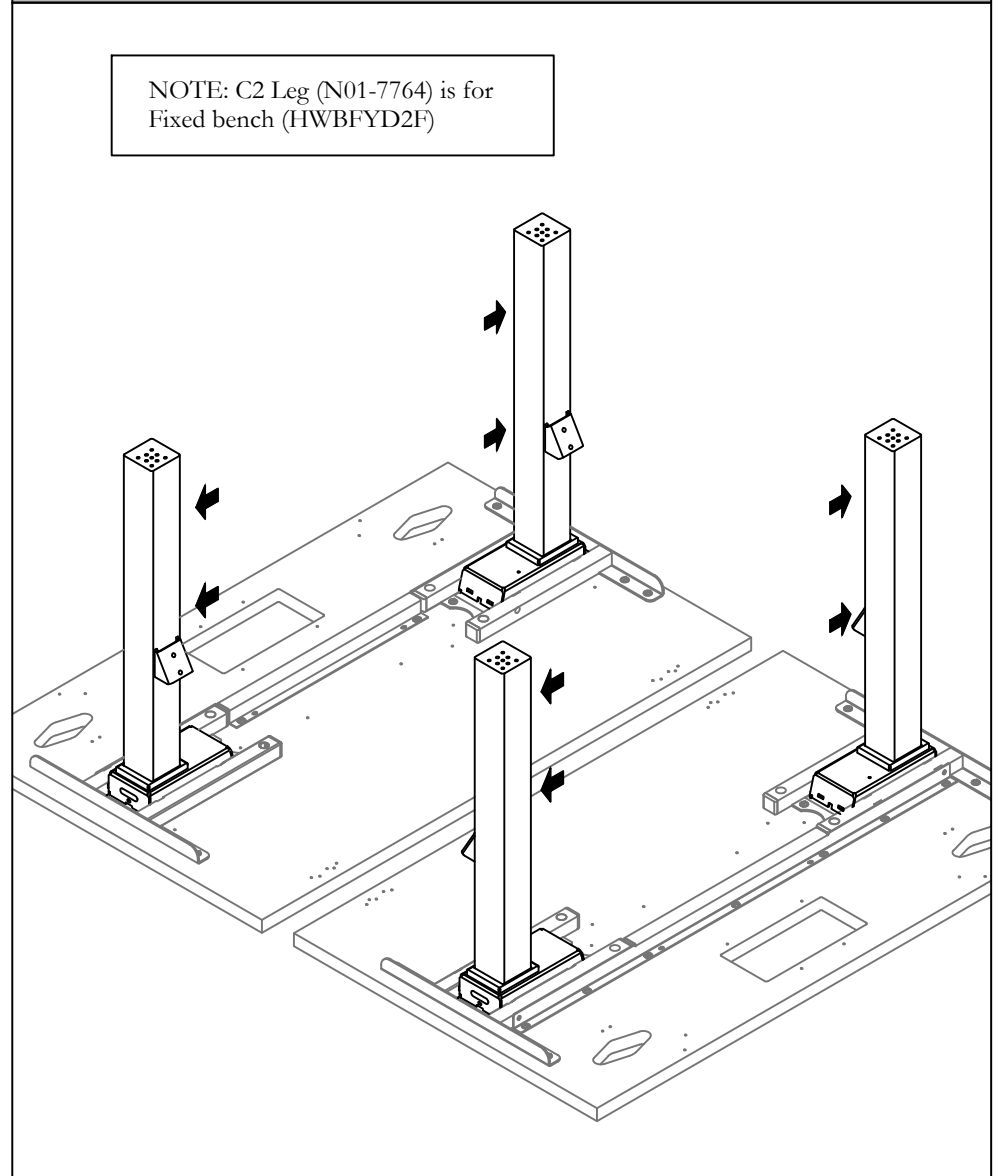
Date: May 2023 Page No: 6 of 23  
HABH\_112

## ATTACH LEGS TO BRACKET



STEP 4B: Attach Legs to the Leg Mounts by lining up with holes. Brackets should face towards the back of each Worksurface.

## SECURE LEGS - 1

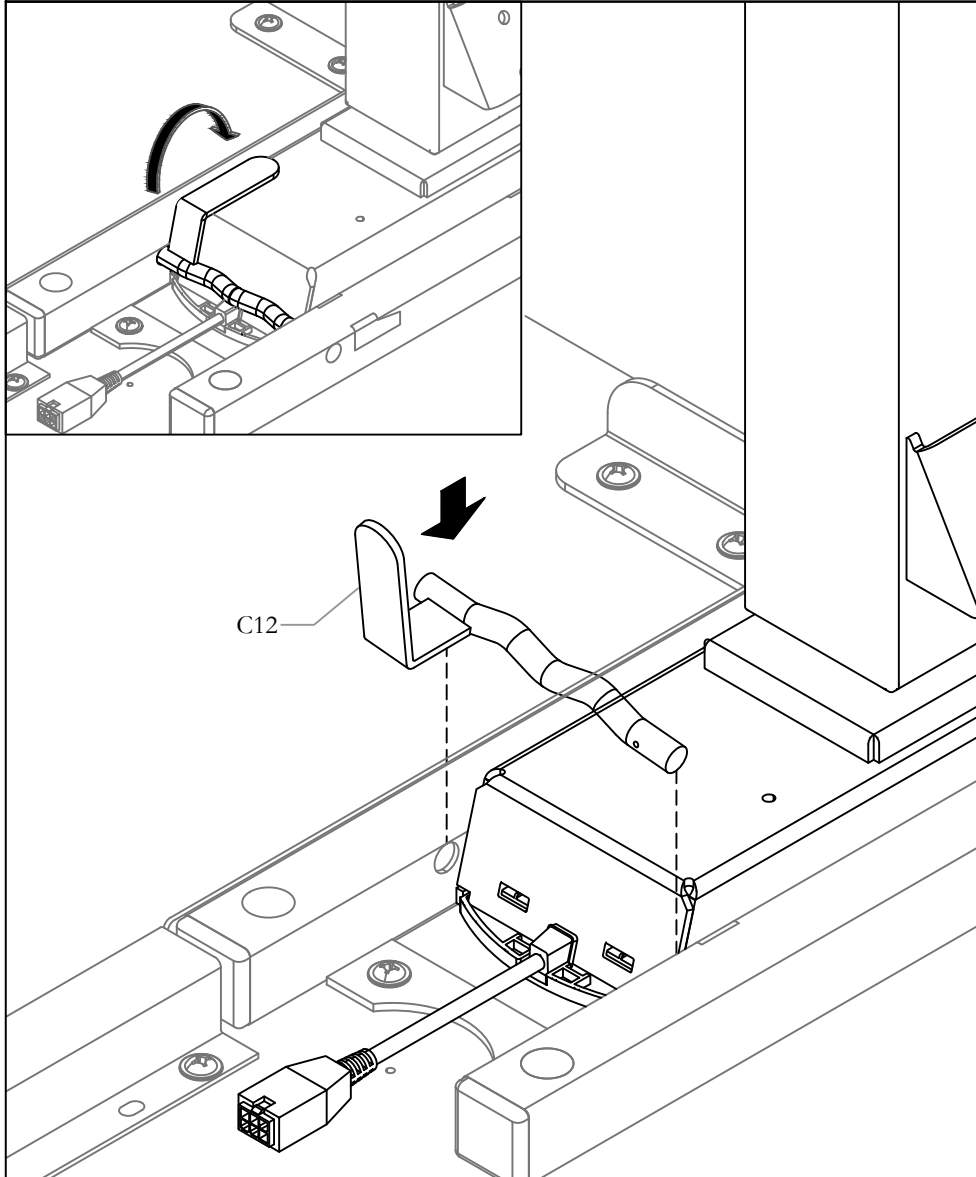


STEP 5B: Push Legs towards the outer side of each Worksurface.

Section: **HEIGHT ADJUSTABLE BENCH**  
Description: **FRAME DOUBLE-SIDED HAB**

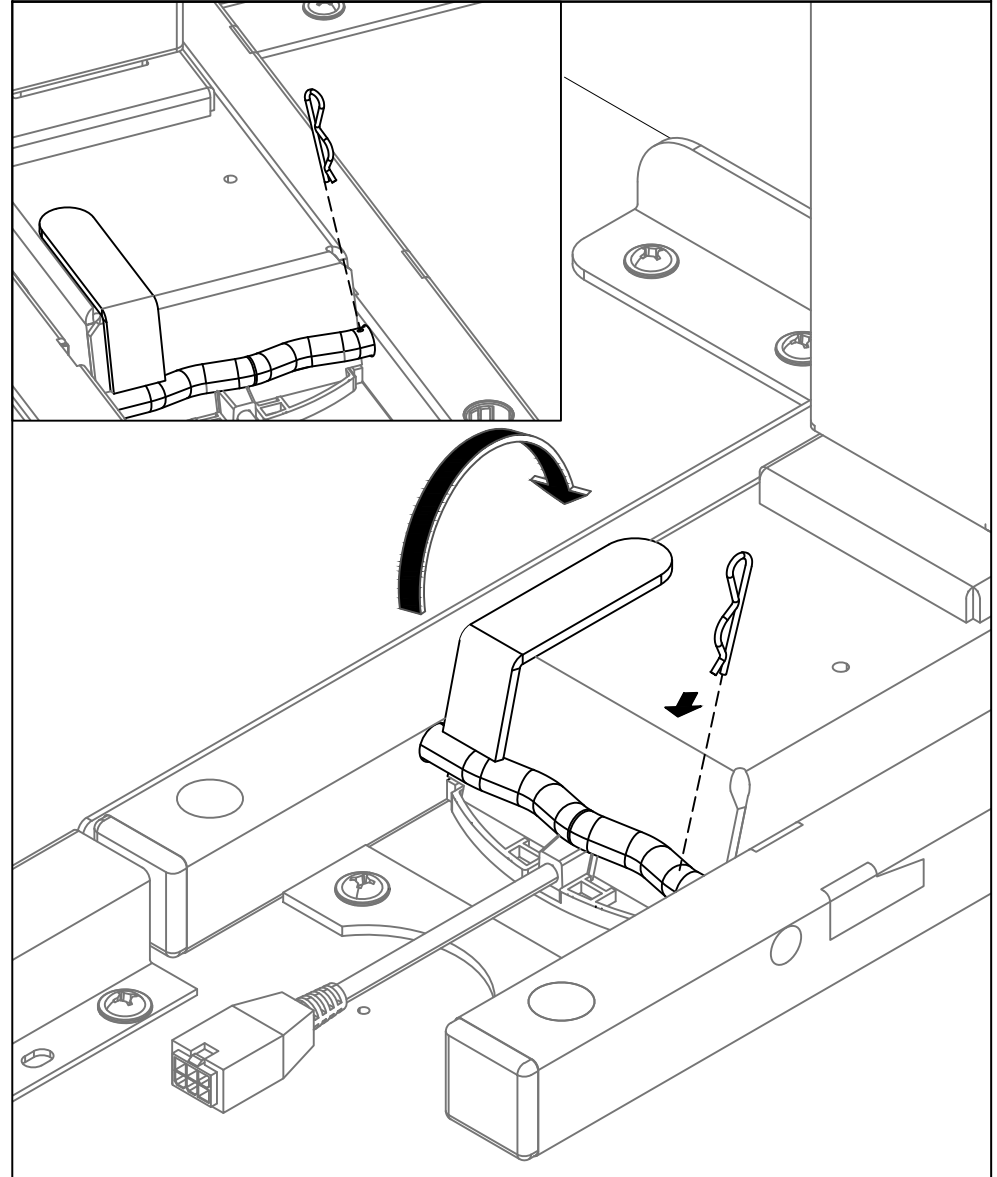
Date: May 2023 Page No: 7 of 23  
HABH\_112

## INSTALL CAM HANDLE



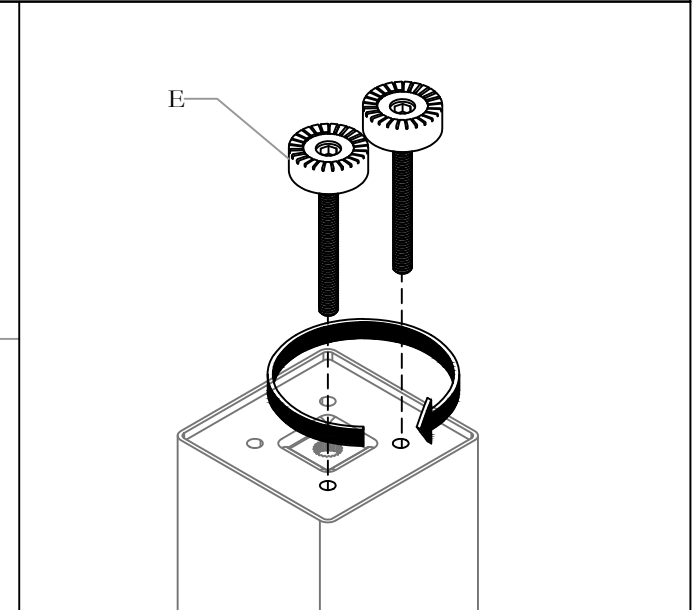
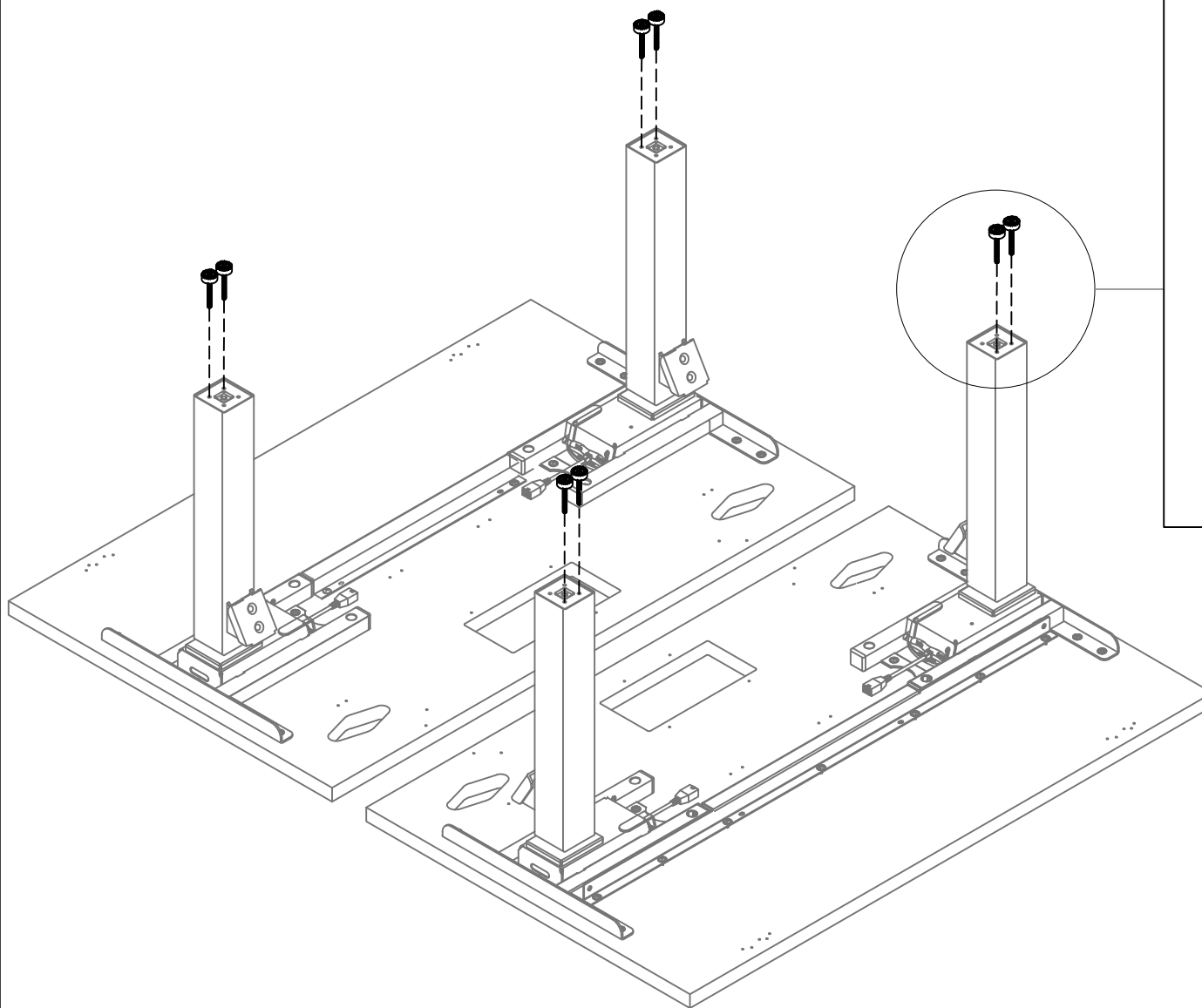
STEP 6: Install Cam Handles into Brackets and turn towards Leg to lock.

## SECURE CAM HANDLE



STEP 7: Insert Pins as shown to lock Cam Handles and secure Legs.

## ATTACH LEVELERS TO LEGS



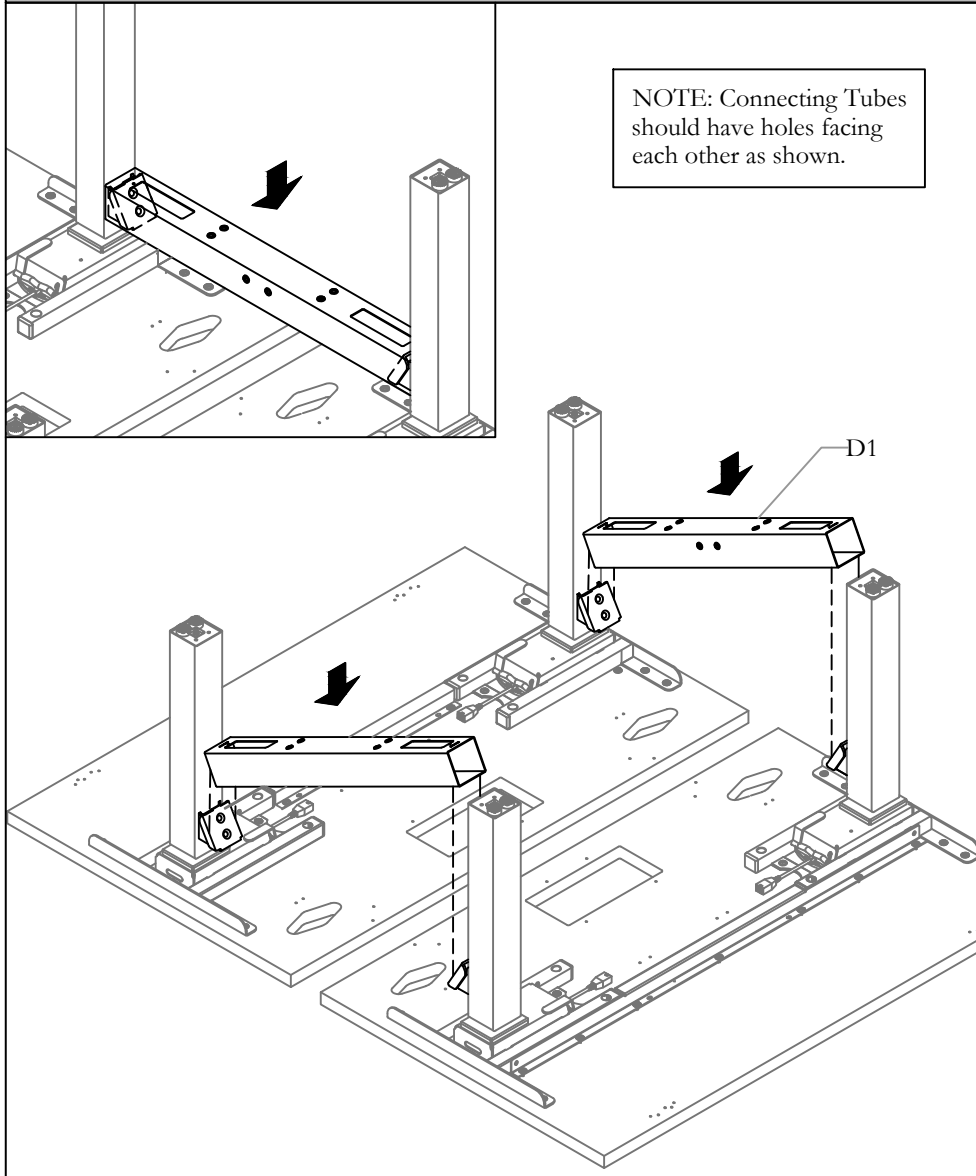
NOTE: Install Levelers to the user side

STEP 8: Attach Levelers to Legs as shown. Fasten by rotating clockwise.

Section: HEIGHT ADJUSTABLE BENCH  
Description: FRAME DOUBLE-SIDED HAB

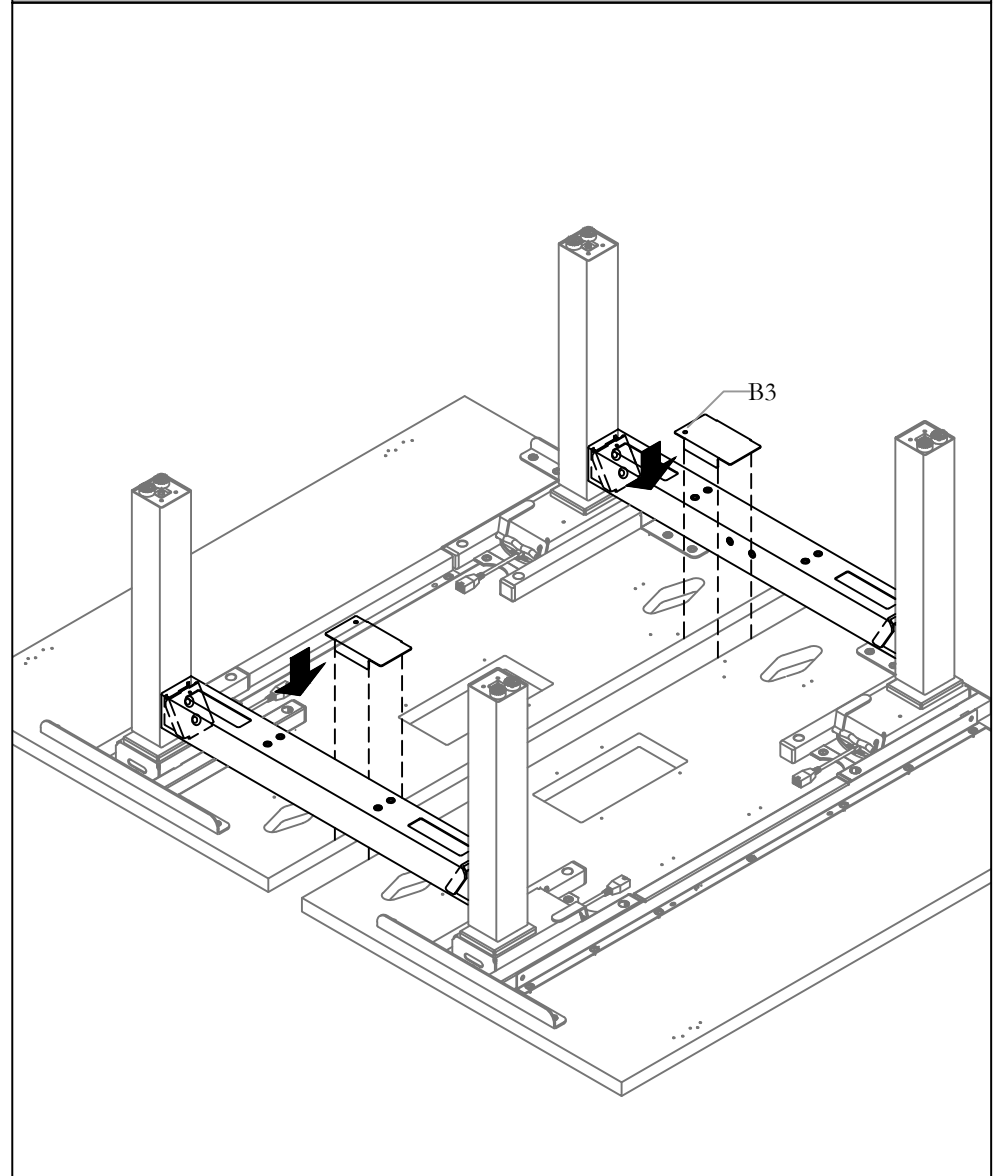
Date: May 2023 Page No: 9 of 23  
HABH\_112

## ATTACH CONNECTING TUBES



STEP 9: Attach the Frame Connecting Tube to the Brackets on the Leg Assembly.

## INSERT ALIGNMENT KIT

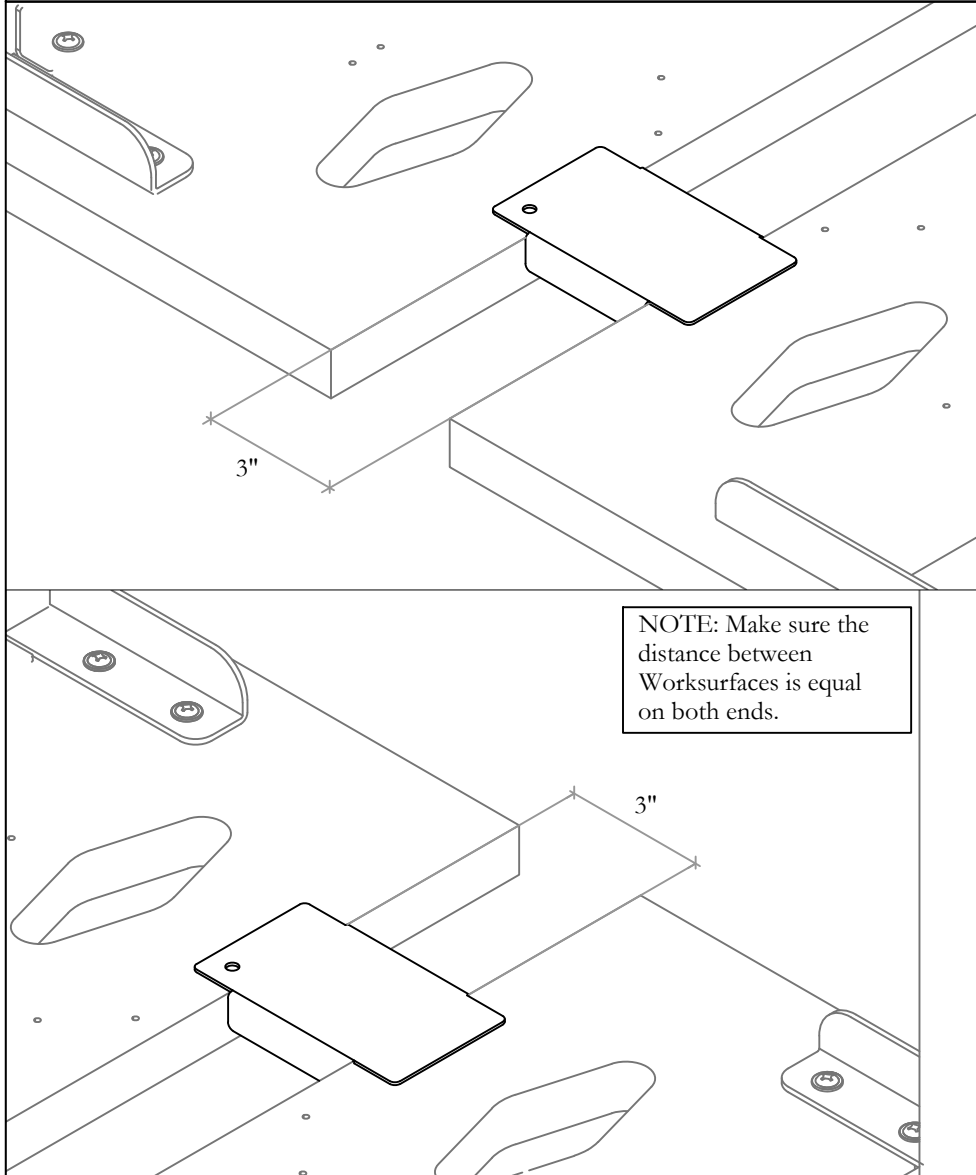


STEP 10: Place the alignment brackets as shown.

# height-adjustable bench *Installation Guides*

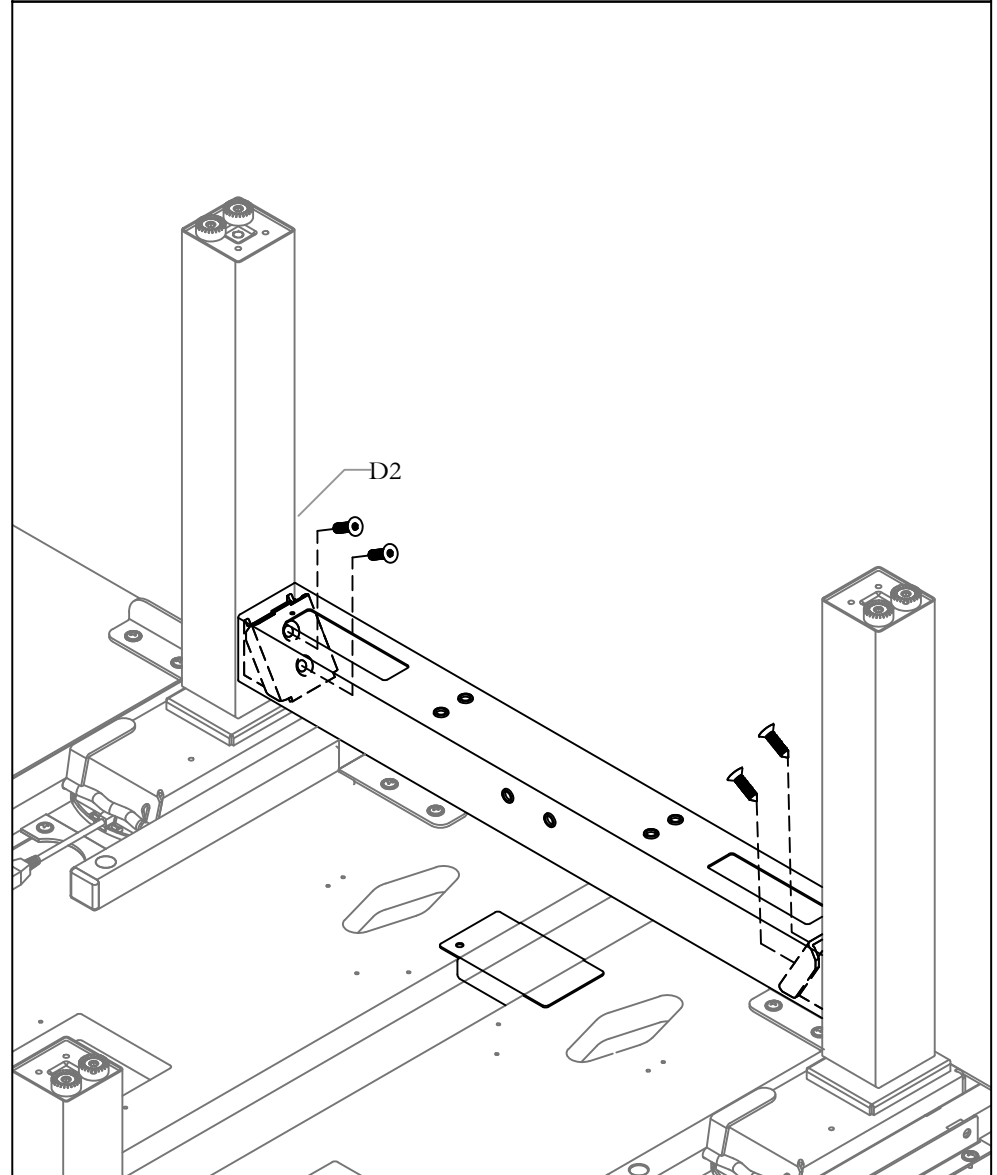
Section: **HEIGHT ADJUSTABLE BENCH**  
Description: **FRAME DOUBLE-SIDED HAB**

## ALIGN BOTH WORKSURFACES



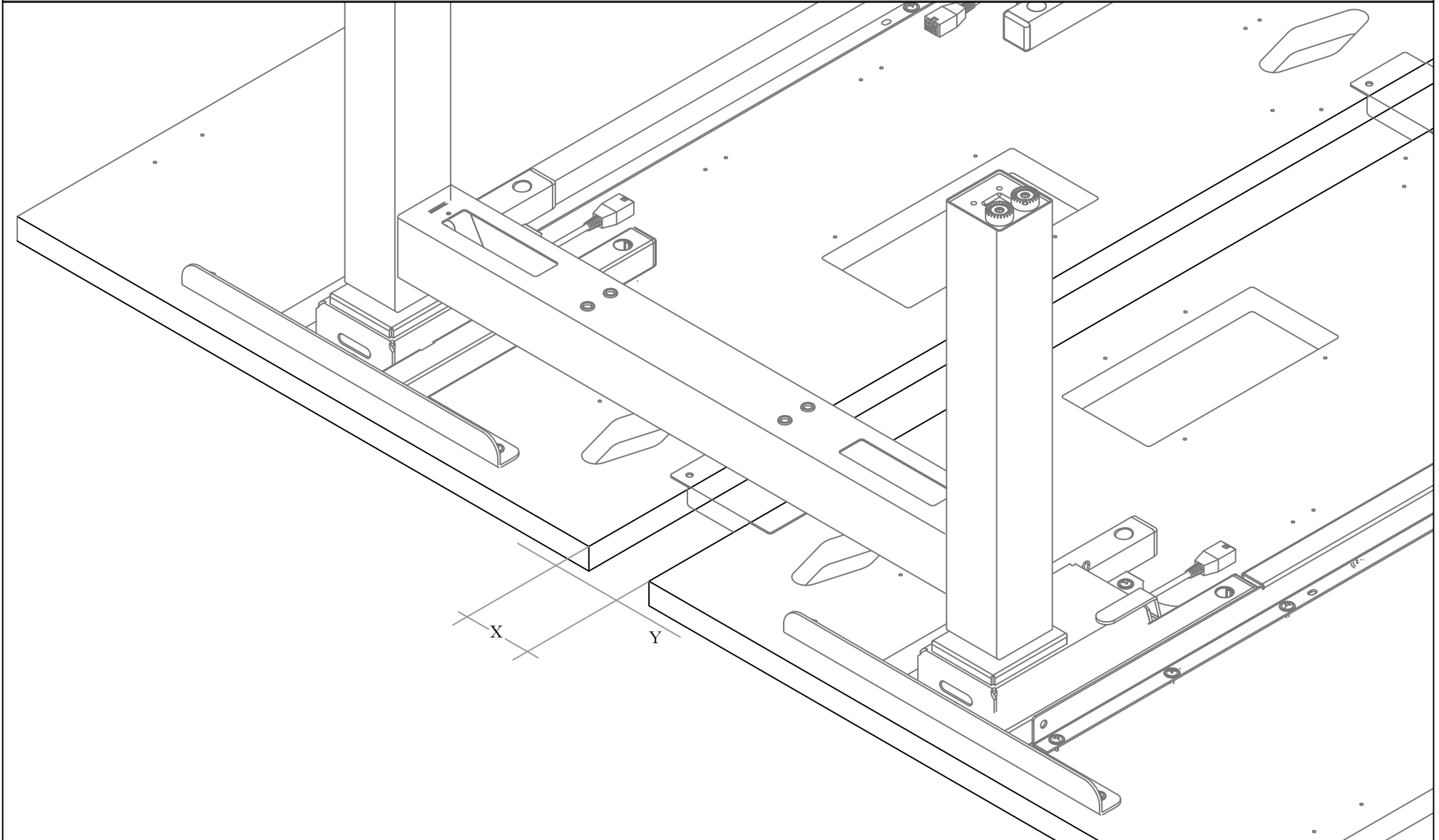
STEP 11: Use the Alignment Brackets to ensure the correct distance between Worksurfaces.

## SECURE FRAME CONNECTING TUBES



STEP 12: Secure the Frame Connecting Tubes.

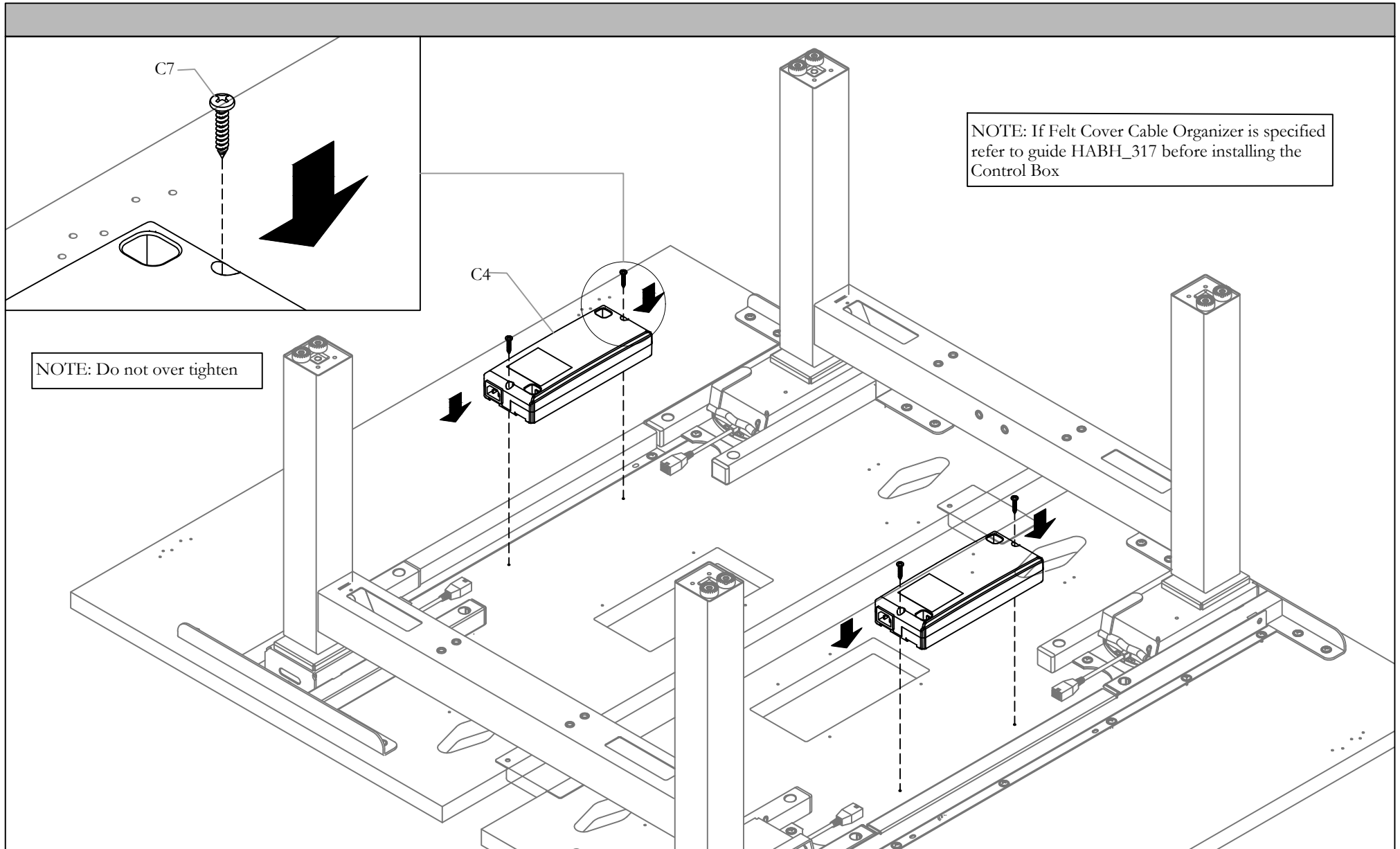
## CHECK WORKSURFACE ALIGNMENT



STEP 13: Ensure the Space between Worksurfaces (X) remains equal throughout and that the sides of both worksurfaces (Y direction) line up. Loosen up screws for adjustment if necessary.

Section: **HEIGHT ADJUSTABLE BENCH**  
Description: **FRAME DOUBLE-SIDED HAB**

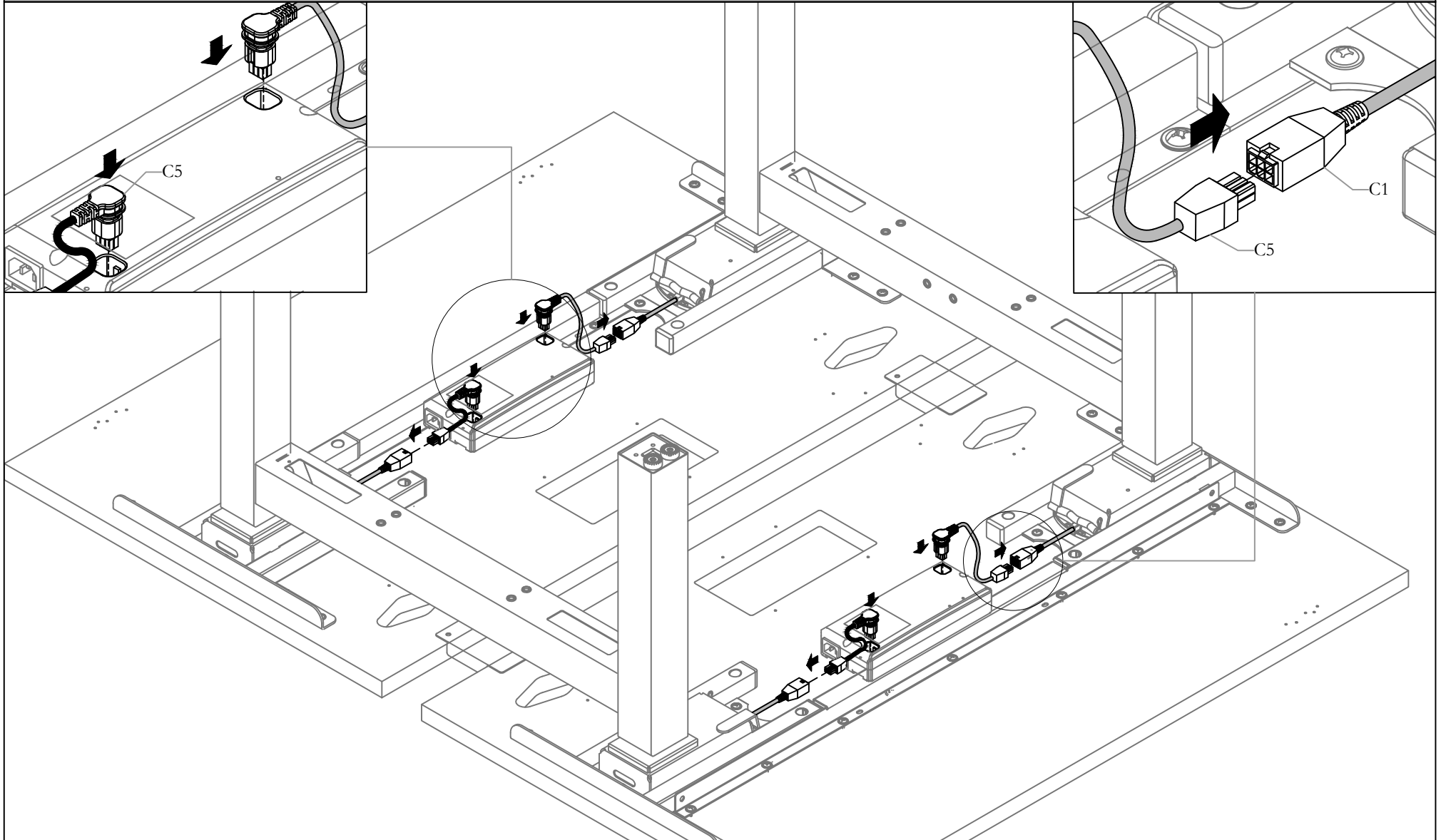
Date: May 2023 Page No: 12 of 23  
HABH\_112



STEP 14: Attach the Control Box to each Worksurface and secure using provided screws. If Felt Cover Cable Organizer is specified refer to guide HABH\_317 before installing the Control Box



ATTACH CONNECTOR



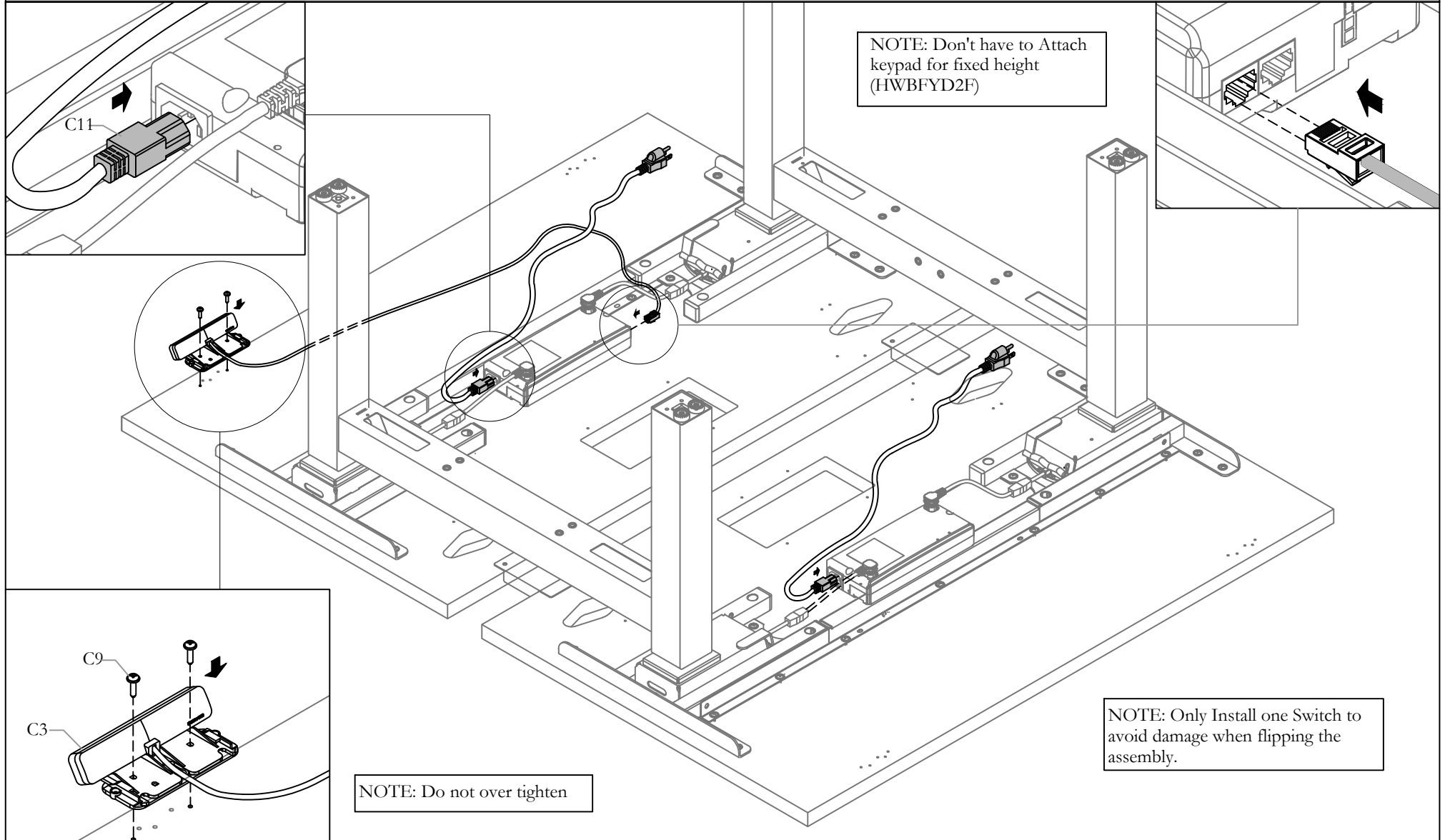
STEP 15: Attach Control Boxes to Legs using the Connector Cables as shown.



Section: **HEIGHT ADJUSTABLE BENCH**  
Description: **FRAME DOUBLE-SIDED HAB**

Date: May 2023 Page No: 14 of 23  
HABH\_112

## ATTACH SWITCHES AND POWER CORD



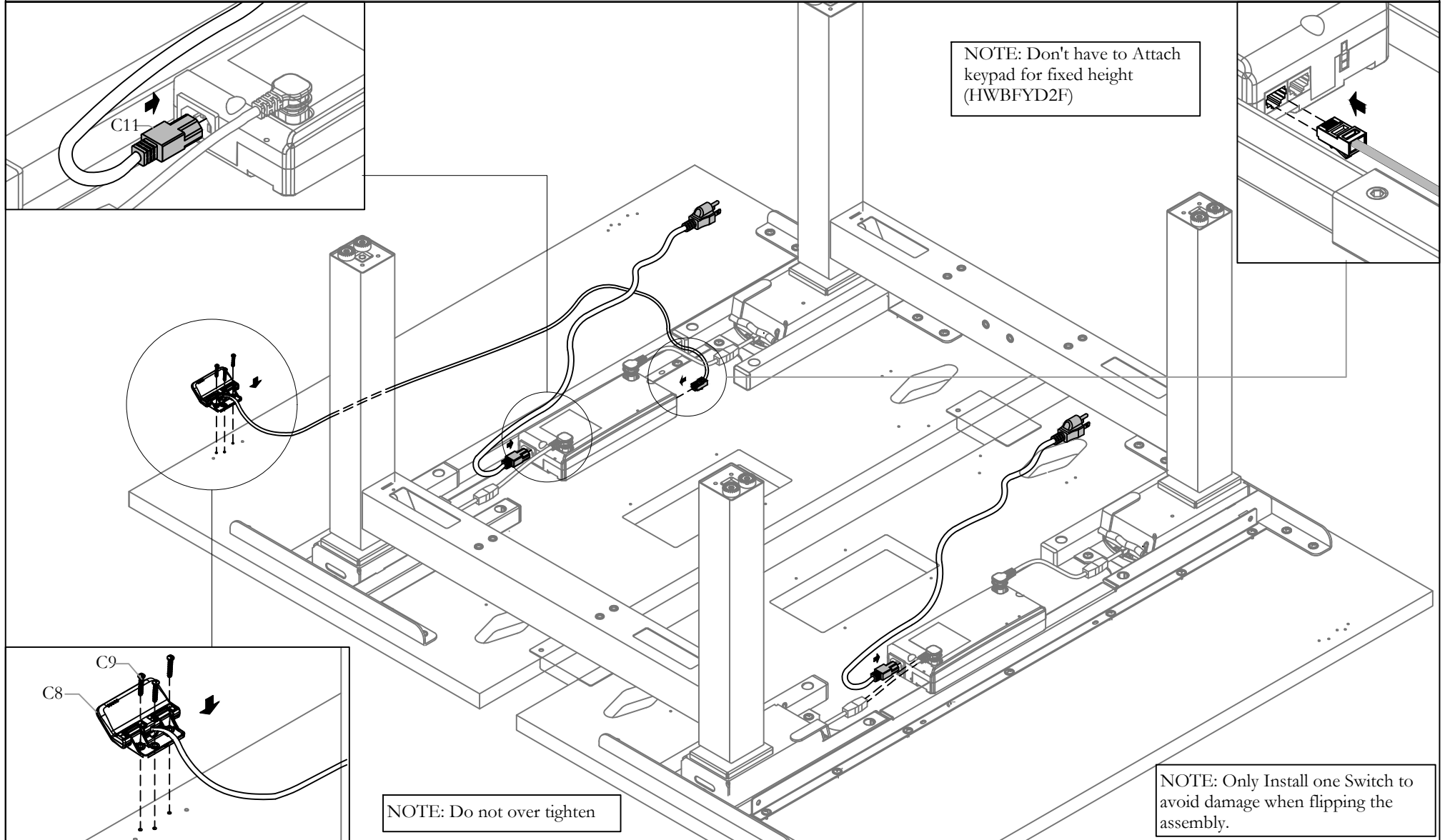
STEP 16: Secure one Keypad to Worksurface and connect it to the appropriate Control Box using attached cable. Attach Power Cords to each Control box.

NOTE: Either Keypad or Toggle switch can be attached according to customer's need

Section: **HEIGHT ADJUSTABLE BENCH**  
Description: **FRAME DOUBLE-SIDED HAB**

Date: May 2023 Page No: 15 of 23  
HABH\_112

## ATTACH SWITCHES AND POWER CORD



NOTE: Don't have to Attach keypad for fixed height (HWBFYD2F)

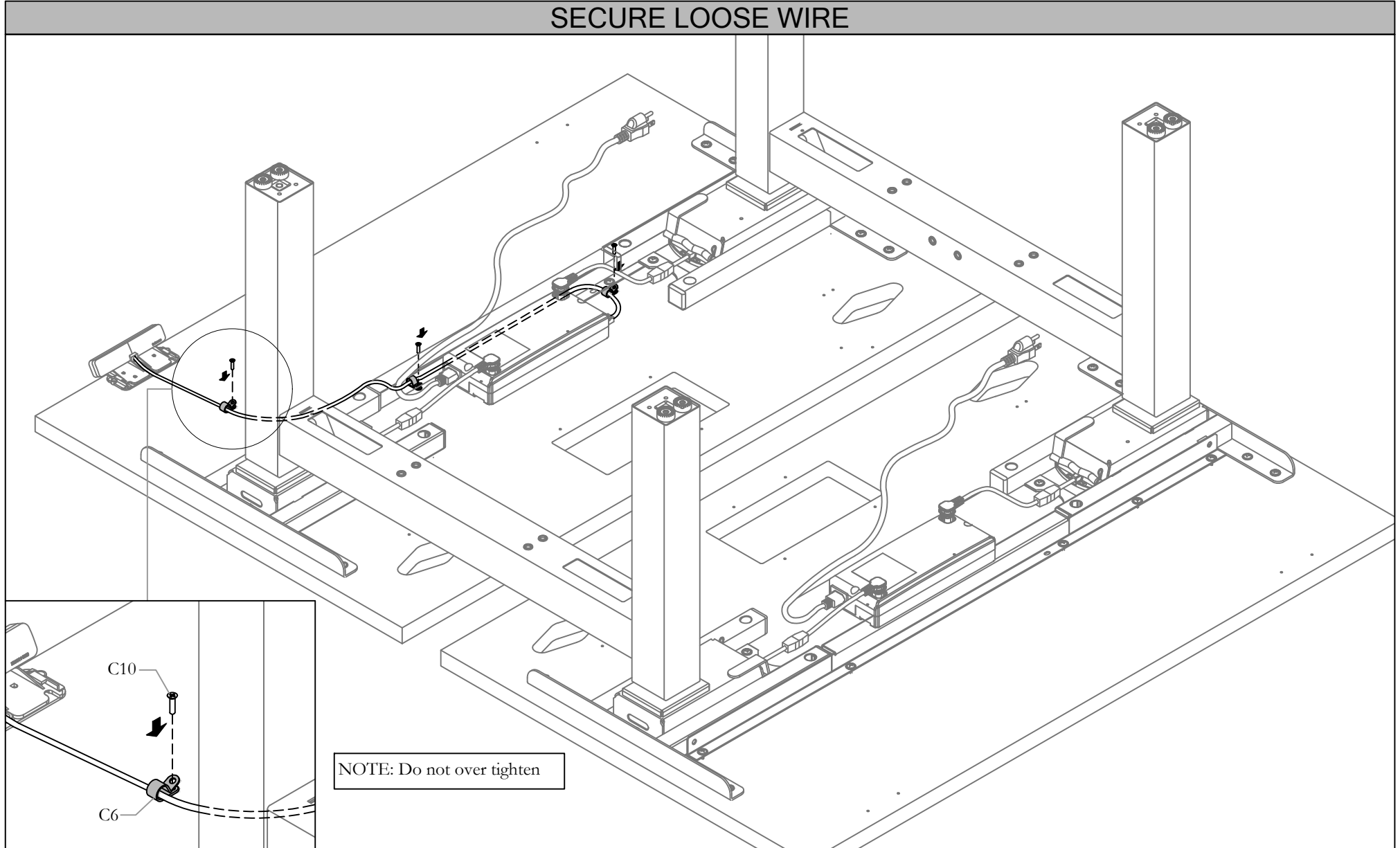
NOTE: Do not over tighten

NOTE: Only Install one Switch to avoid damage when flipping the assembly.

STEP 16A: Secure one Keypad to Worksurface and connect it to the appropriate Control Box using attached cable. Attach Power Cords to each Control box.

NOTE: Either Keypad or Toggle switch can be attached according to customer's need

SECURE LOOSE WIRE

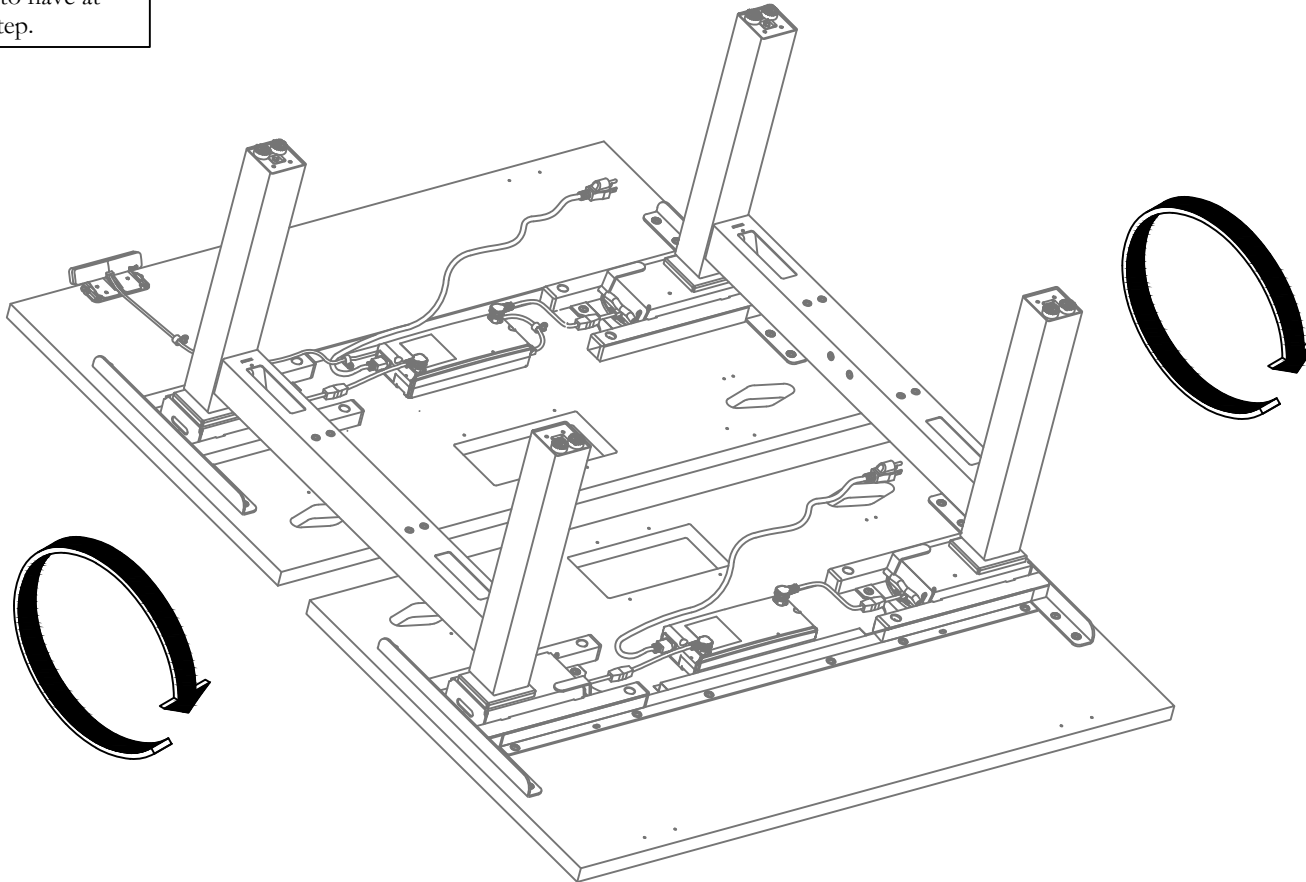


STEP 17: Secure loose wire neatly to the Worksurfaces using Cable Clamps.

NOTE: Don't have to Secure loose wire for fixed height (HWBFYD2F)

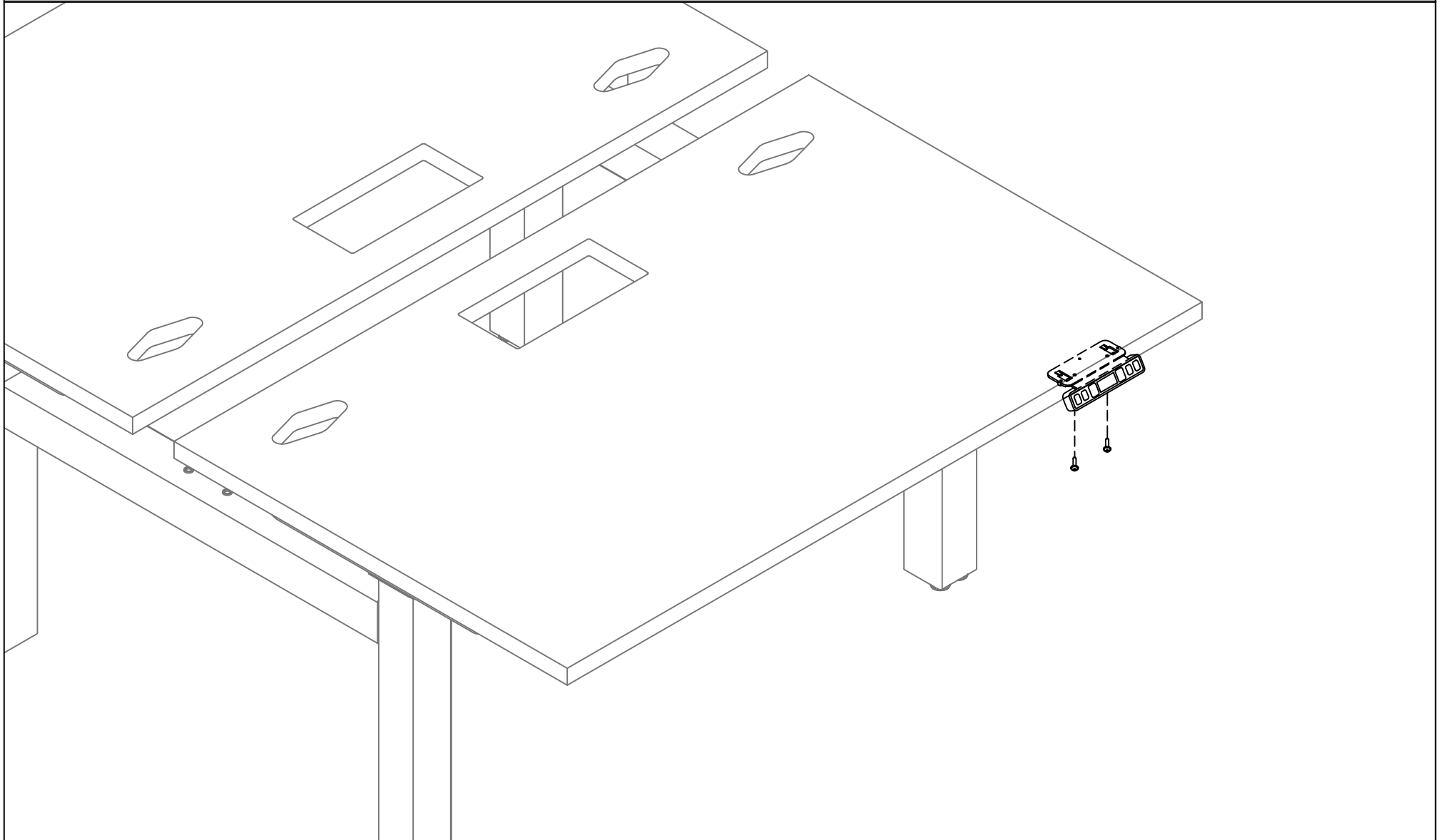
FLIP OVER TABLE

NOTE: Please make sure to have at least two people for this step.



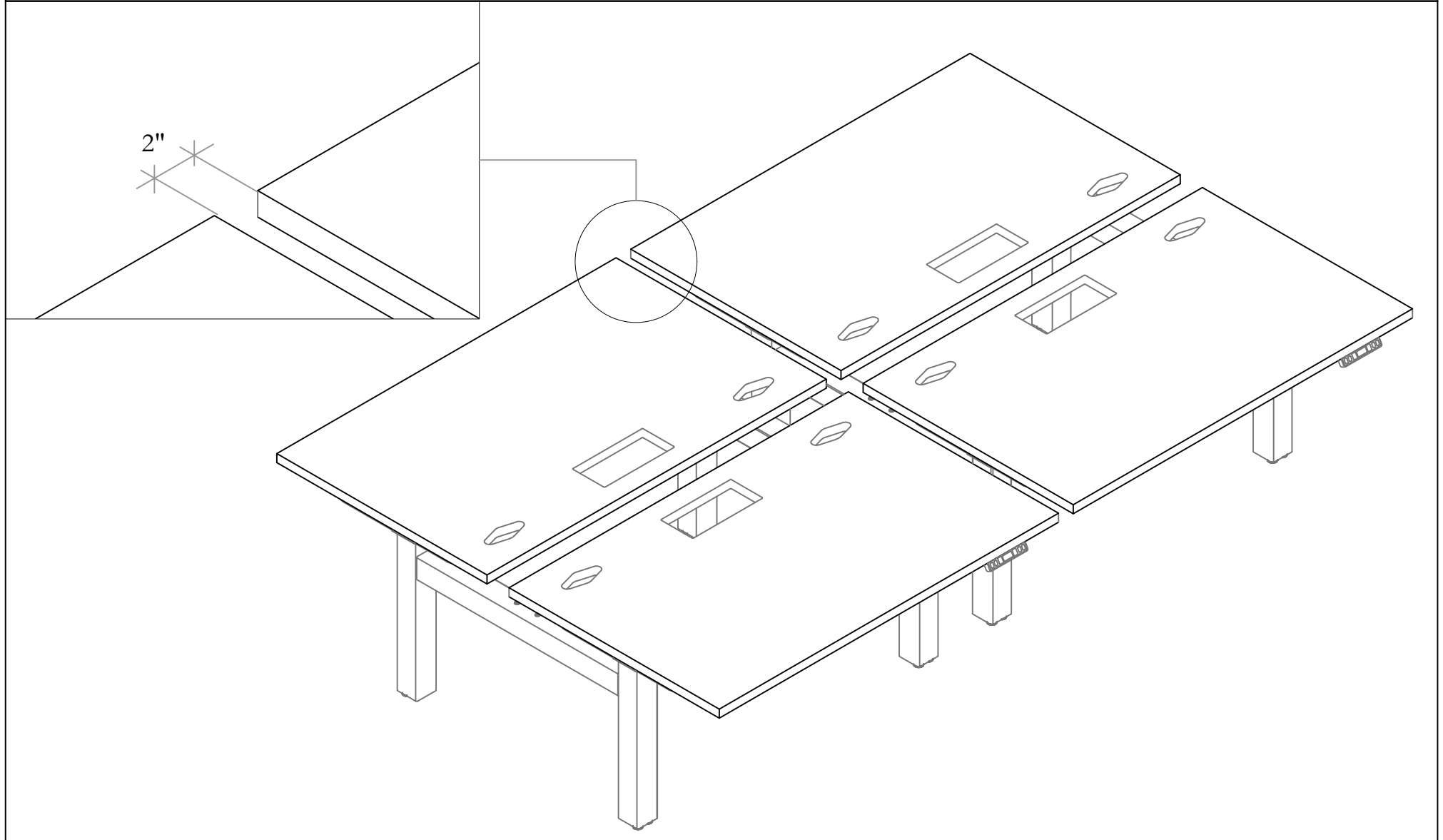
STEP 18: Flip over the Table.

**INSTALL REMAINING SWITCH**



STEP 19: Please refer to Step 16 and Step 17 to install the remaining switch.

LINKING ASSEMBLYS: ALIGN WORKSURFACES



STEP 20: Bring over 2nd Assembly and Align Worksurfaces so that they are 2" apart.

# height-adjustable bench *Installation Guides*

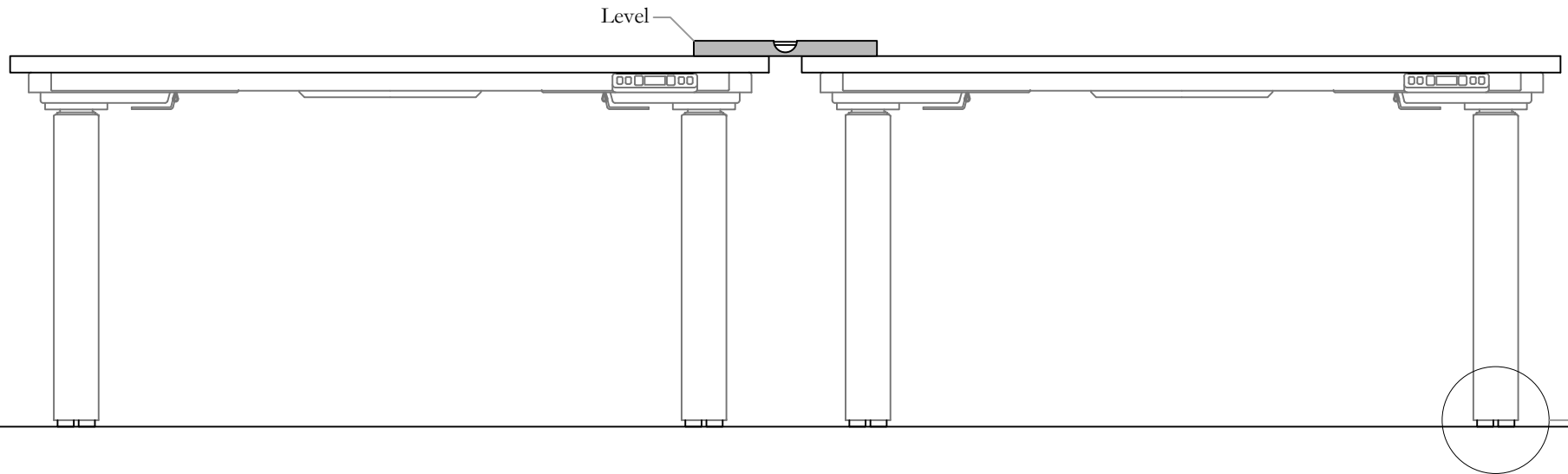
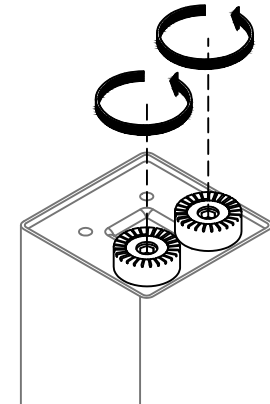
Section: **HEIGHT ADJUSTABLE BENCH**  
Description: **FRAME DOUBLE-SIDED HAB**

teknion

Date: May 2023 Page No: 20 of 23  
HABH\_112

## ROUGH LEVELING

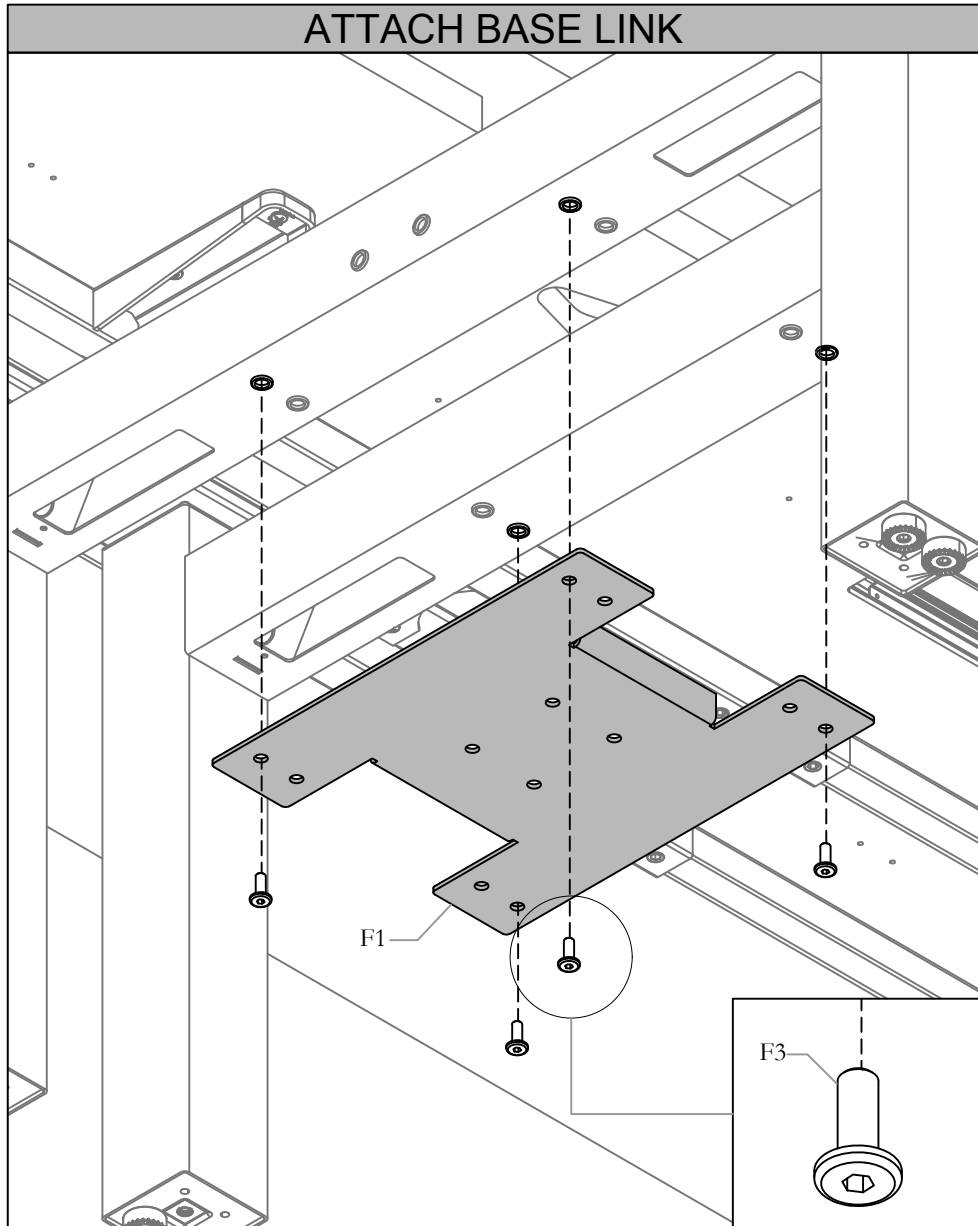
NOTE: If the difference in floor elevation between frames is  $>1\text{-}1/8"$  they cannot be linked.



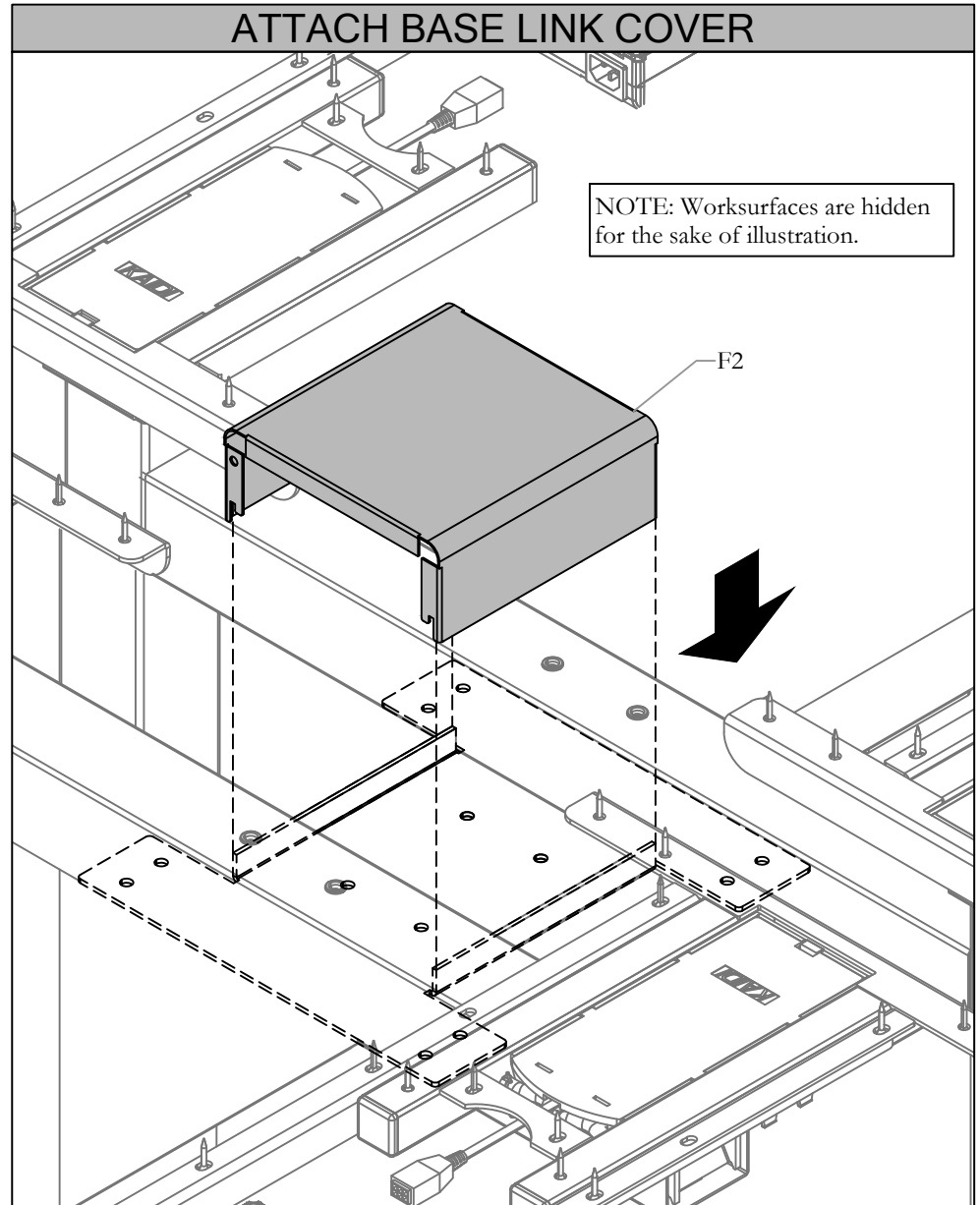
STEP 21: Ensure Bench is level. Rotate Levelers as needed to adjust height. This step will be repeated after Base Link is installed.

Section: **HEIGHT ADJUSTABLE BENCH**  
Description: **FRAME DOUBLE-SIDED HAB**

Date: May 2023 Page No: 21 of 23  
HABH\_112



STEP 22: Attach Base Link to underside of Frame Connecting Tubes and Secure using provided screws.



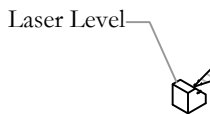
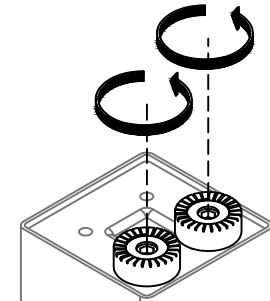
STEP 23: Attach the Base Link Cover to the Base Link and snap in place.



## LEVELING BENCH - FINAL ADJUSTMENTS

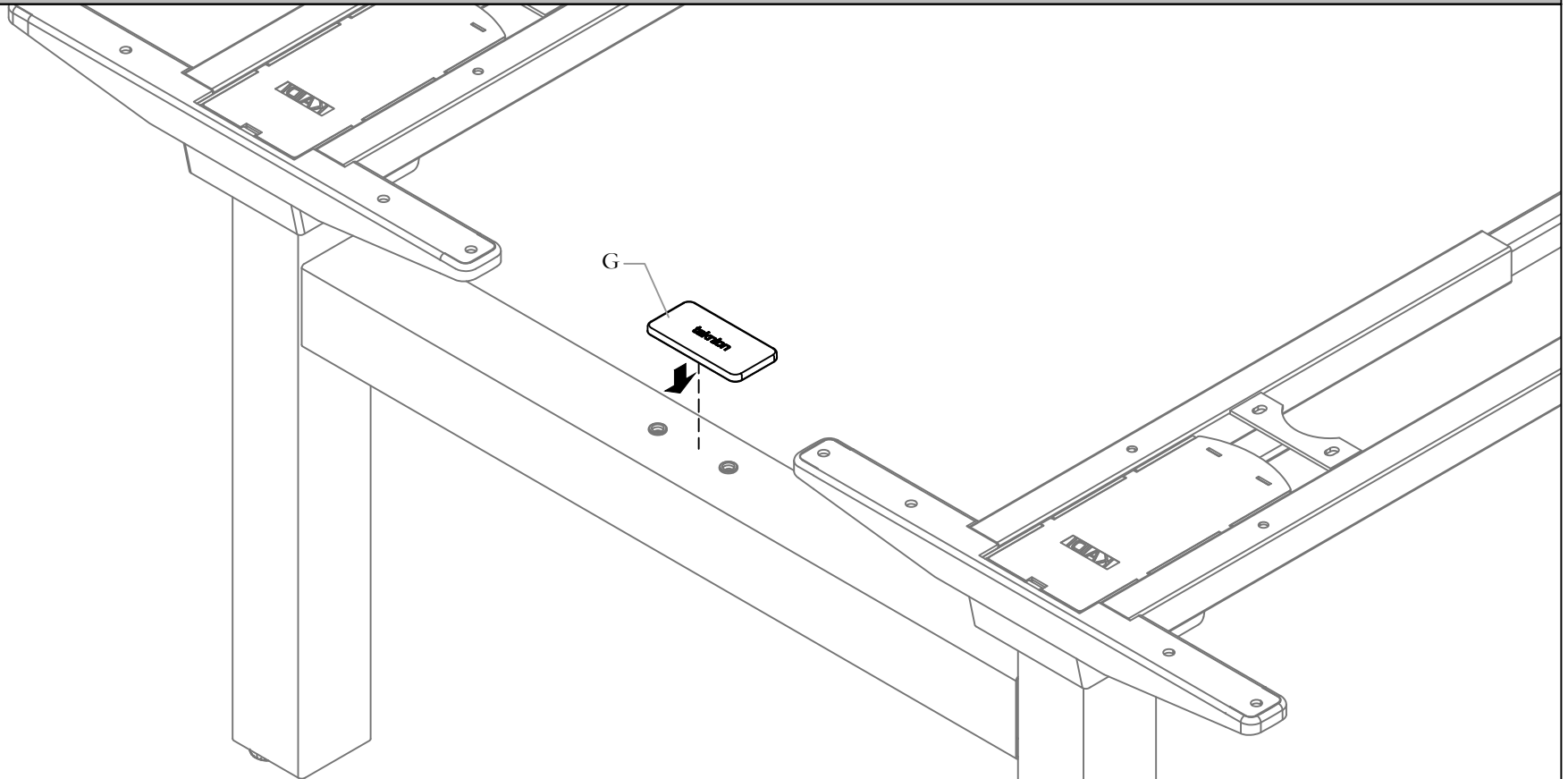
NOTE: It is recommended to use a laser level tool to check final alignment.

NOTE: The unit must be levelled at the exact location of use.



STEP 24: Repeat Step 21 to ensure entire Bench is level for both Width and Depth.

ATTACH NO SPINE SCREEN COVER PLATE TO THE BENCH



Note: No Spine Screen Cover Plate is used only if no screen is used. It is used to cover inserts. Work Surface is hidden for Illustration purpose.

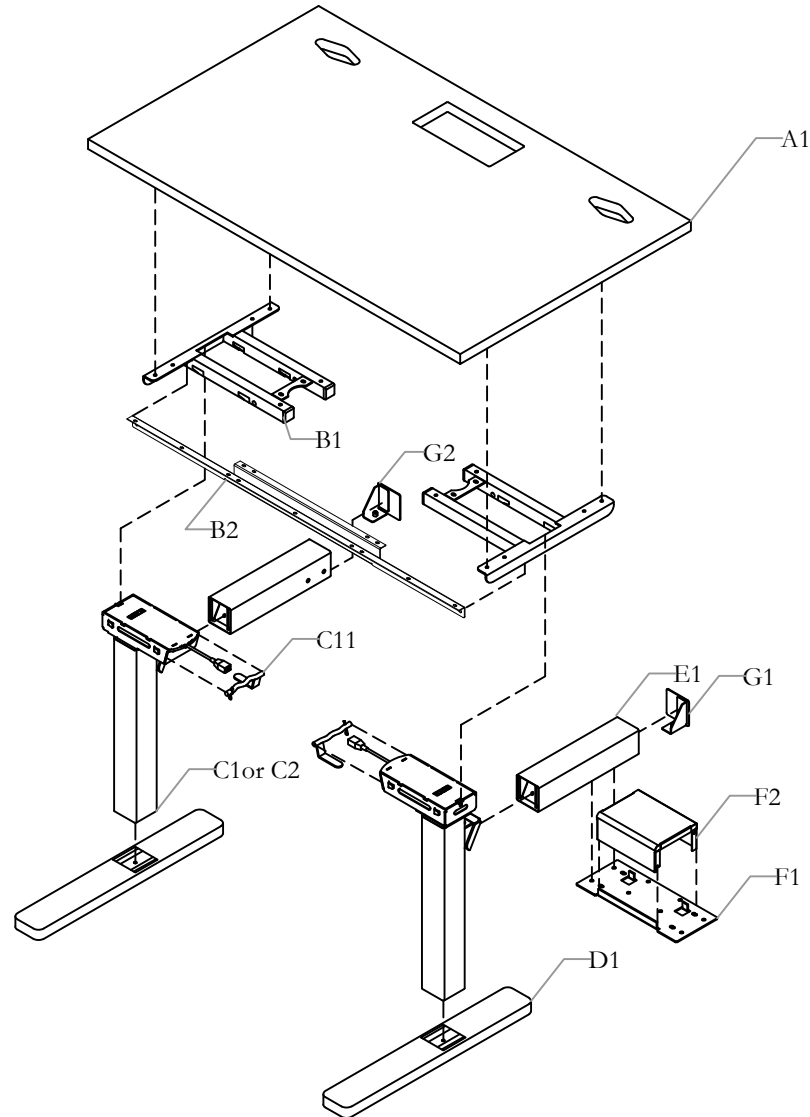
STEP 25: Attach Post Cap to the bench as shown.

# height-adjustable bench *Installation Guides*

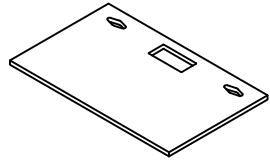
Section: **HEIGHT ADJUSTABLE BENCH**  
Description: **FRAME SINGLE-SIDED HAB**

Date: May 2023 Page No: 1 of 19  
HABH\_113 Rev. No: 2

Single-Sided Worksurface (HWBWBS), Single-Sided Worksurface w/Radius Corners (HWBWJS), Single-Sided Frame (HWBFYS)  
Single-Sided Frame (HWBFYS2F), Single-Sided Base Link (HWBFBS) and Single-Sided Weldment Cover (HWBFSC)

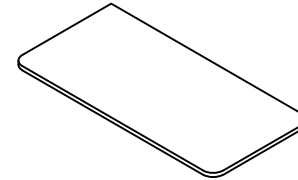


## Part and Product Identification



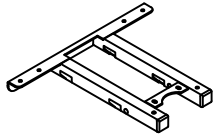
**A1** - Single-Sided Worksurface  
(HWBWBS) x1

OR

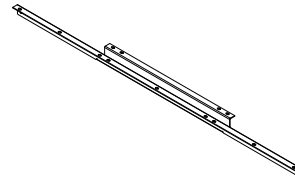


**A2** - Single-Sided Worksurface  
w/Radius Corners  
(HWBWJS) x1

**B** - Worksurface Frame  
(N01-5703-X) x1



**B1** - Leg Mount Bracket  
(N09-9873-X) x2

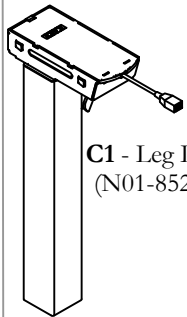


**B2** - 2 Point Stiffner  
(A16-11193) x1

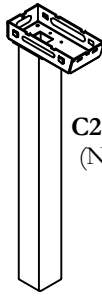


**B3** - #10 x 0.875" LG. Screw,  
Quad.Pan Washer  
(E07-0077) x28

Single-Sided Frame (HWBFYS) x1



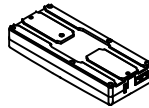
**C1** - Leg L/R  
(N01-8527) x2



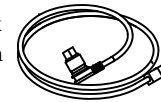
**C2** - Leg L/R  
(N01-7476) x2



**C3** - Keypad,  
hiSpace Table  
(D06-4276) x1



**C4** - Control Box  
w/Anti Collision  
(D06-4313) x1



**C5** -Right- Angle  
Connector  
Cable, 1m Lg  
(D06-4277) x2



**C6** - Cable Clamp  
(B02-0558) x10



**C7** -5x25mm  
Wood Screw  
(E01-1415) x2



**C8** -3x20mm  
Wood Screw  
(E01-1470) x3



**C9** -3.5x15mm  
Wood Screw  
(E01-1417) x10



**C10** -3m Power  
Cord  
(D06-4136) x1

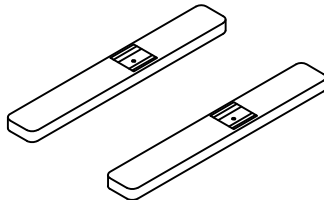


**C11** -Cam Handle  
(N09-9814) x2



**C12** -Toggle Switch  
(N01-7336) x1

**D** - YS Feet (Pair),  
HiSpace Table  
(N09-5784\24) x1

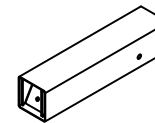


**D1** -Foot Assembly,  
hiSpace Table  
(N09-5790\24) x2



**D2** -M6x16 SHCS  
(E04-0096) x8

**E** - Frame  
Connecting  
Tube Kit  
(X01-4215) x1

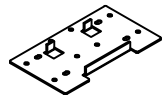


**E1** -Frame  
Connecting Tube  
Assembly R/L  
(N01-5966) x2

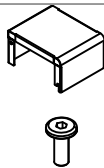


**E2** -M8x25mm  
Flat SHS  
(E01-1410) x4

**F** - Single-Sided  
Base Link  
(HWBFBS) x1



**F1** - Base Link, SS  
(A16-9990) x1

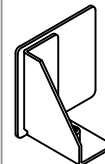


**F2** - Base Link Cover, SS  
(A16-9991) x1

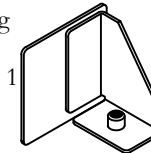


**F3** - M6 x 16mm Screw Chrome  
(E01-1409) x4

**G** - Single-Sided  
Weldment Cover  
(HWBFSC)x1



**G1** - Connecting  
Tube Cover  
(N01-5047L) x 1



**G2** - Connecting  
Tube Cover  
(N01-5047R) x 1

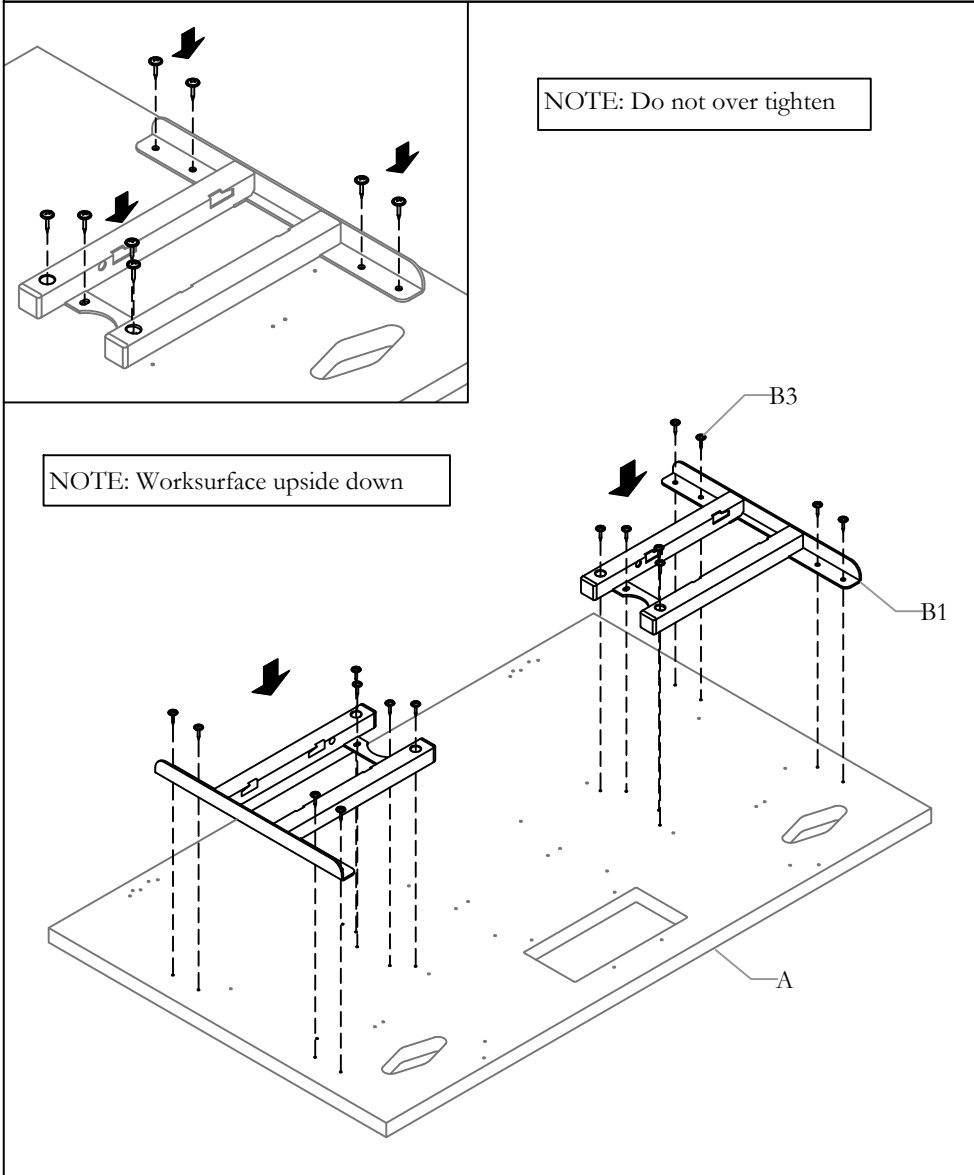


**G3** - M6x16mm  
(E01-1409) x 2

Section: **HEIGHT ADJUSTABLE BENCH**  
Description: **FRAME SINGLE-SIDED HAB**

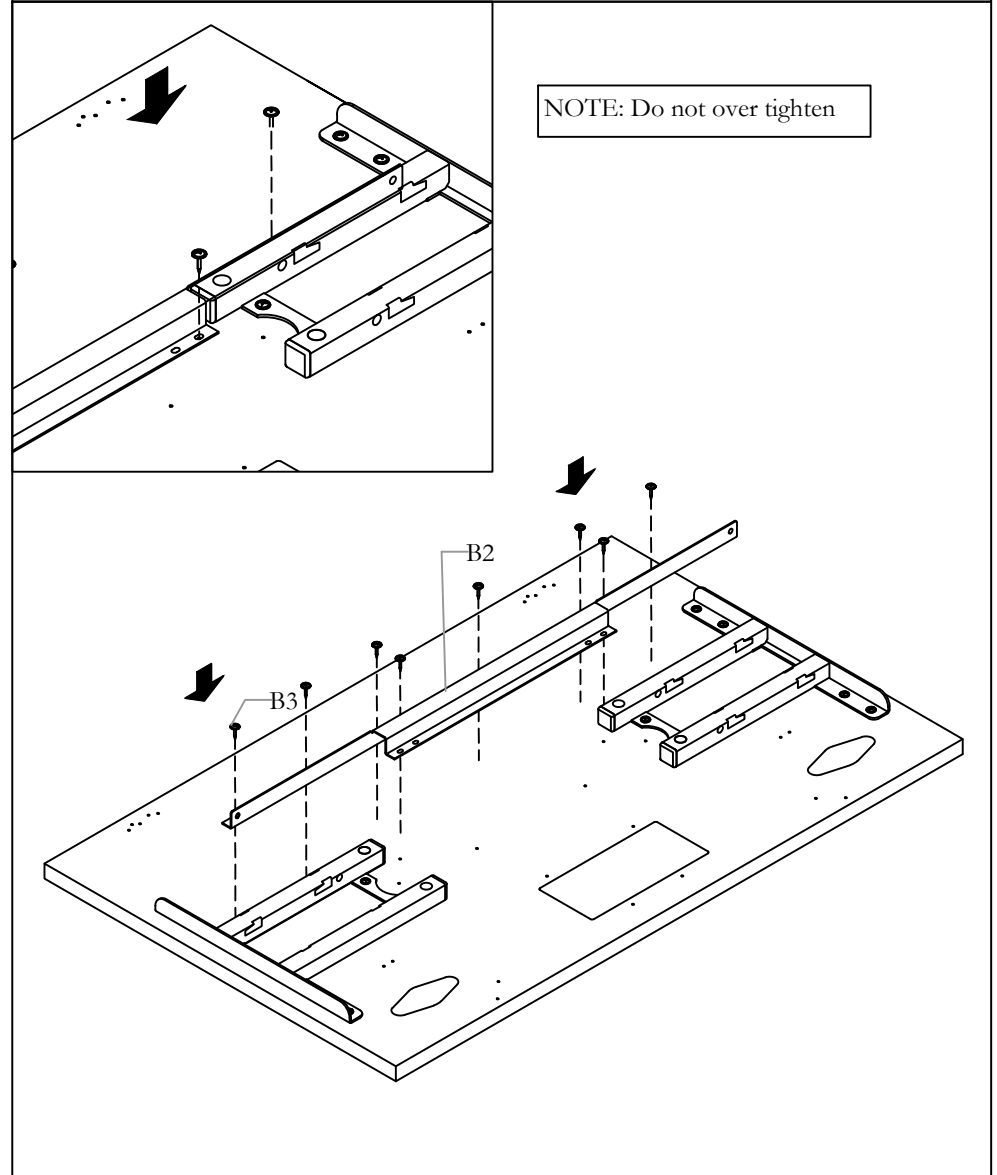
Date: May 2023 Page No: 3 of 19  
HABH\_113

## ATTACH LEG MOUNT BRACKETS



STEP 1: Place Worksurface upside down on the floor and Attach Leg Mount Brackets as shown.

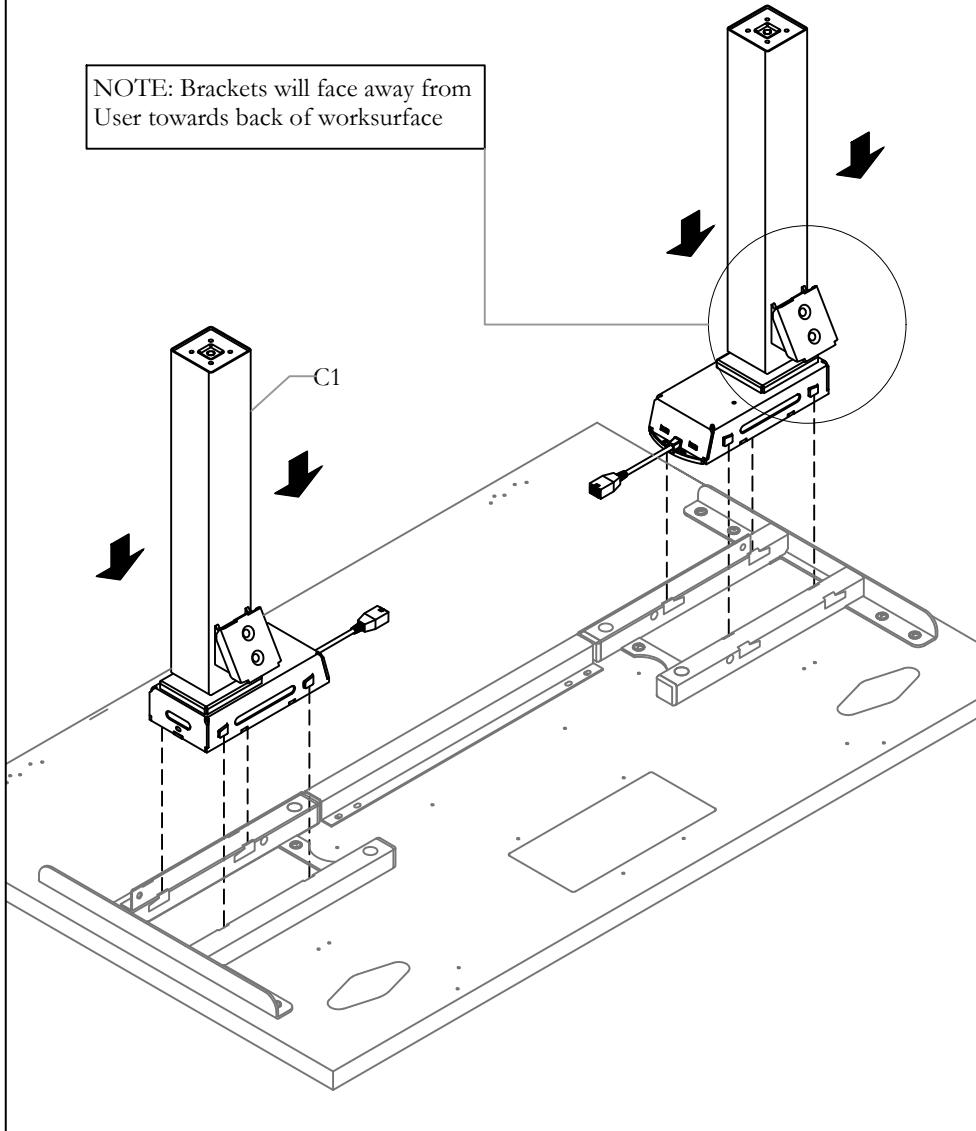
## ATTACH REINFORCEMENT BAR



STEP 2: Attach the Reinforcement Bars to the Worksurface.

## ATTACH LEGS TO BRACKET

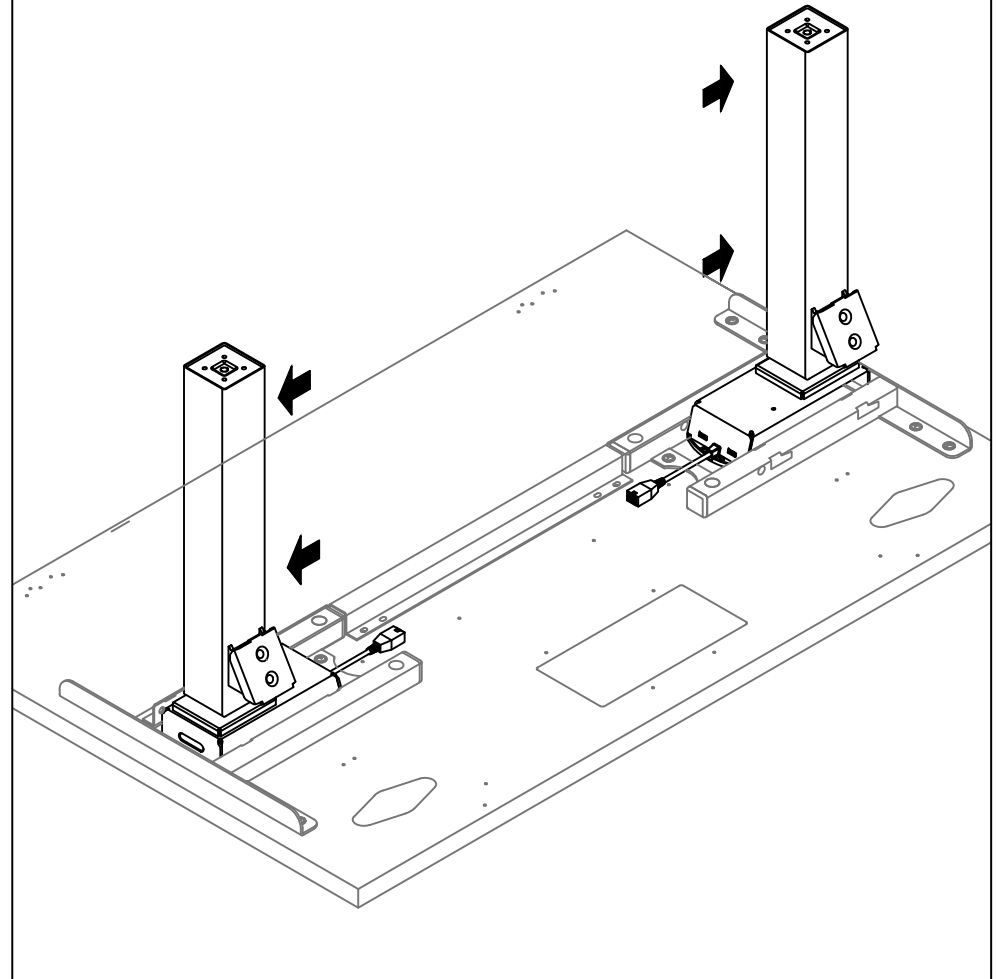
NOTE: Brackets will face away from User towards back of worksurface



STEP 3A: Attach Legs to the Leg Mounts by lining up with holes shown above

## SECURE LEGS TO BRACKET - 1

NOTE: C1 Leg (N01-7983) is for Height adjustable bench (HWBFYS)



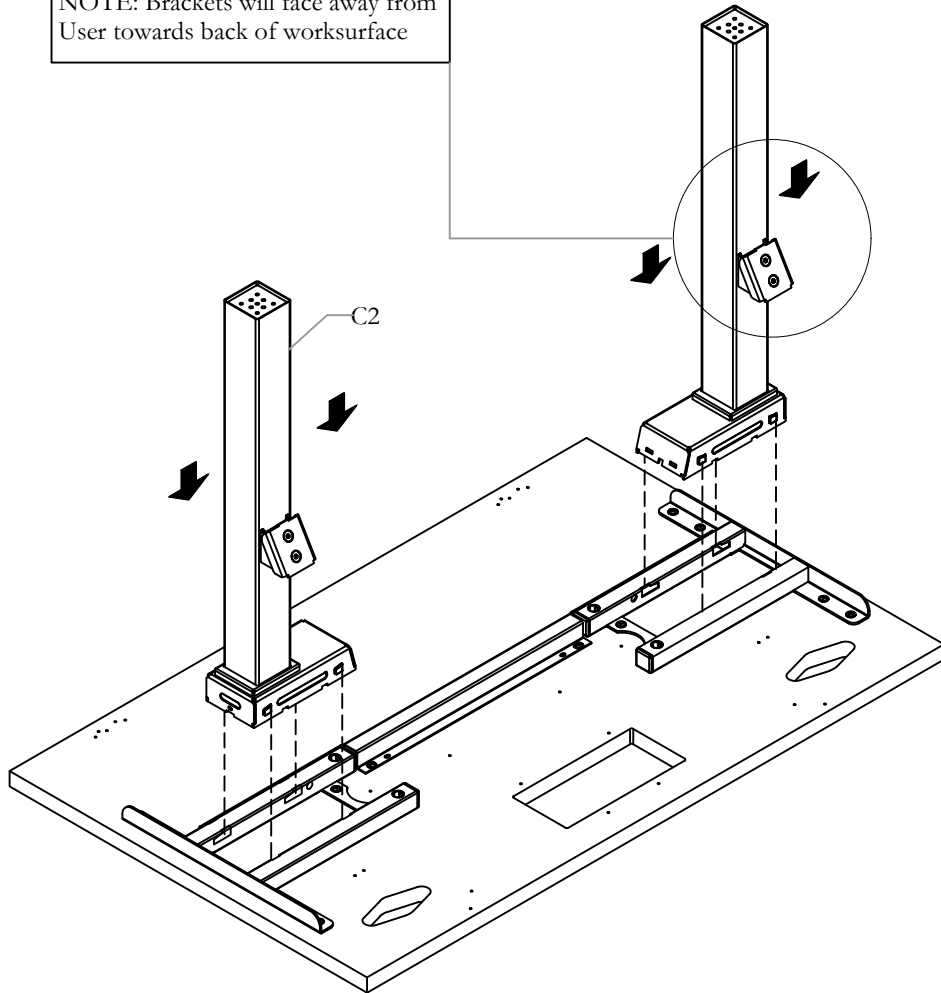
STEP 4A: Push Legs towards the outer side of the Worksurface.

Section: **HEIGHT ADJUSTABLE BENCH**  
Description: **FRAME SINGLE-SIDED HAB**

Date: May 2023 Page No: 5 of 19  
HABH\_113

## ATTACH LEGS TO BRACKET

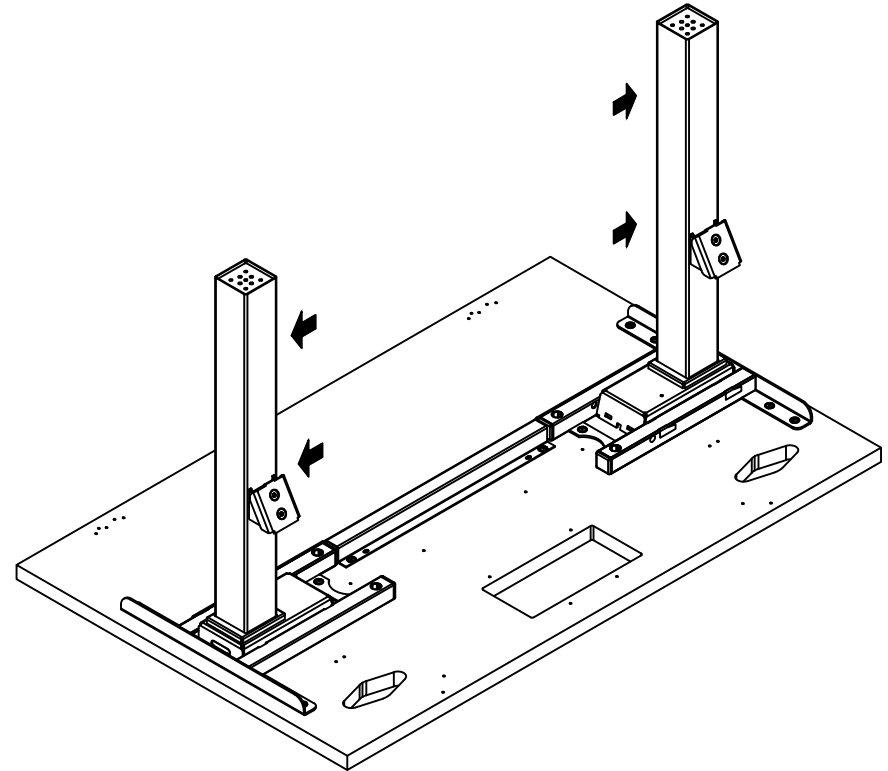
NOTE: Brackets will face away from User towards back of worksurface



STEP 3B: Attach Legs to the Leg Mounts by lining up with holes shown above

## SECURE LEGS TO BRACKET - 1

NOTE: C2 Leg (N01-7764) is for Fixed bench (HWBFYS2F)

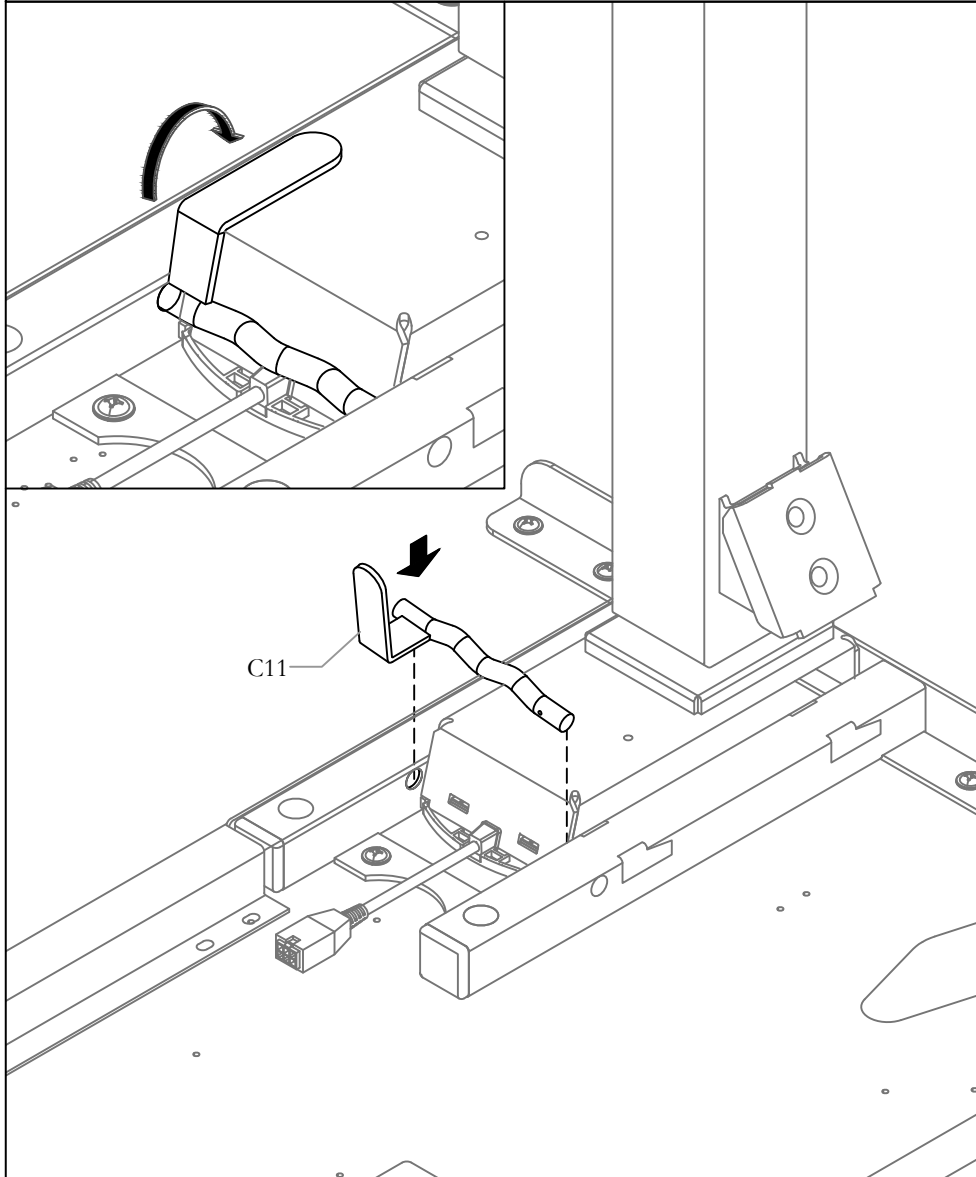


STEP 4B: Push Legs towards the outer side of the Worksurface.

Section: **HEIGHT ADJUSTABLE BENCH**  
Description: **FRAME SINGLE-SIDED HAB**

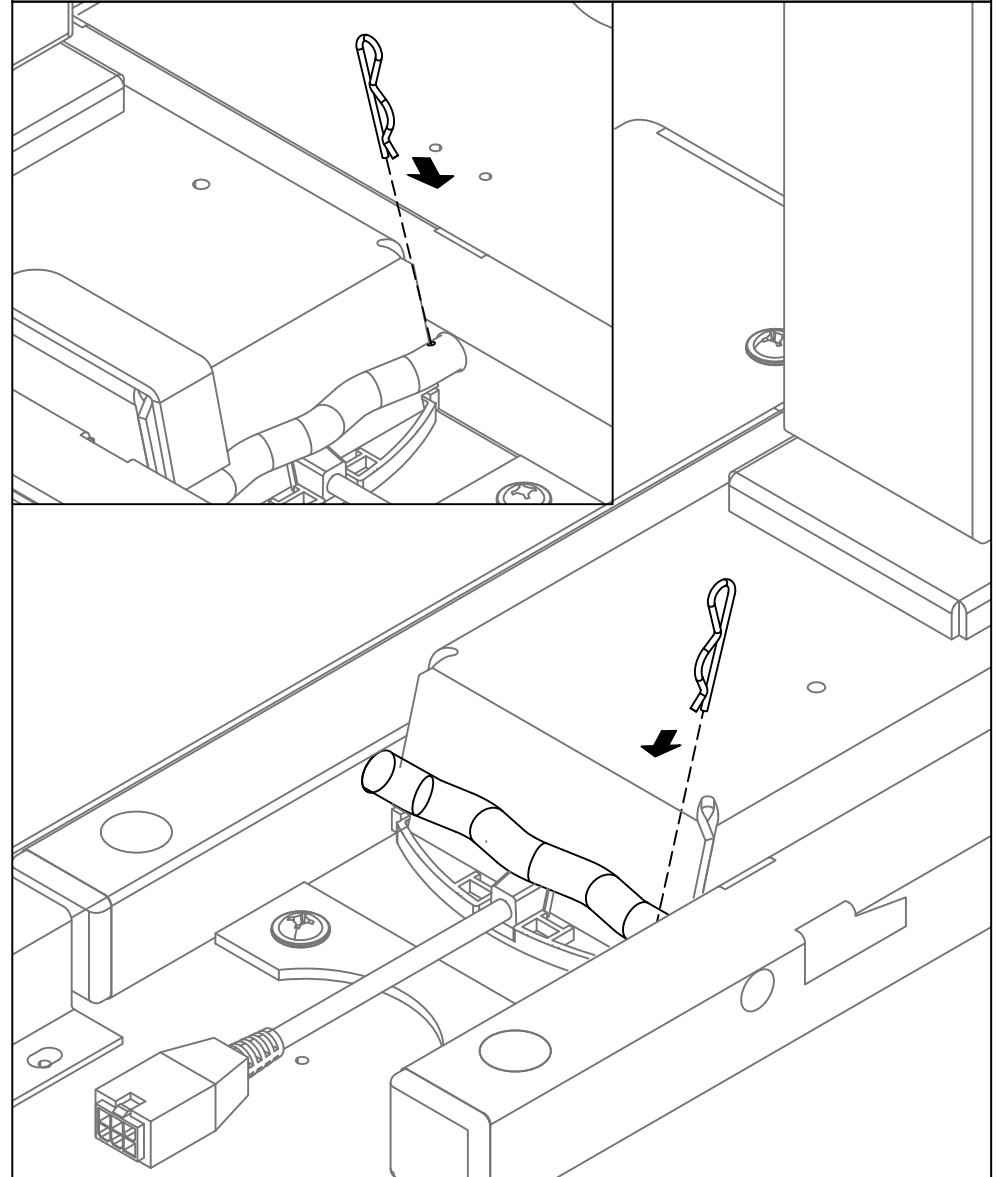
Date: May 2023 Page No: 6 Of 19  
HABH\_113

## SECURE LEGS TO BRACKET - 2



STEP 5: Install Cam Handle into Bracket and turn towards Leg to lock.

## SECURE LEGS TO BRACKET - 3

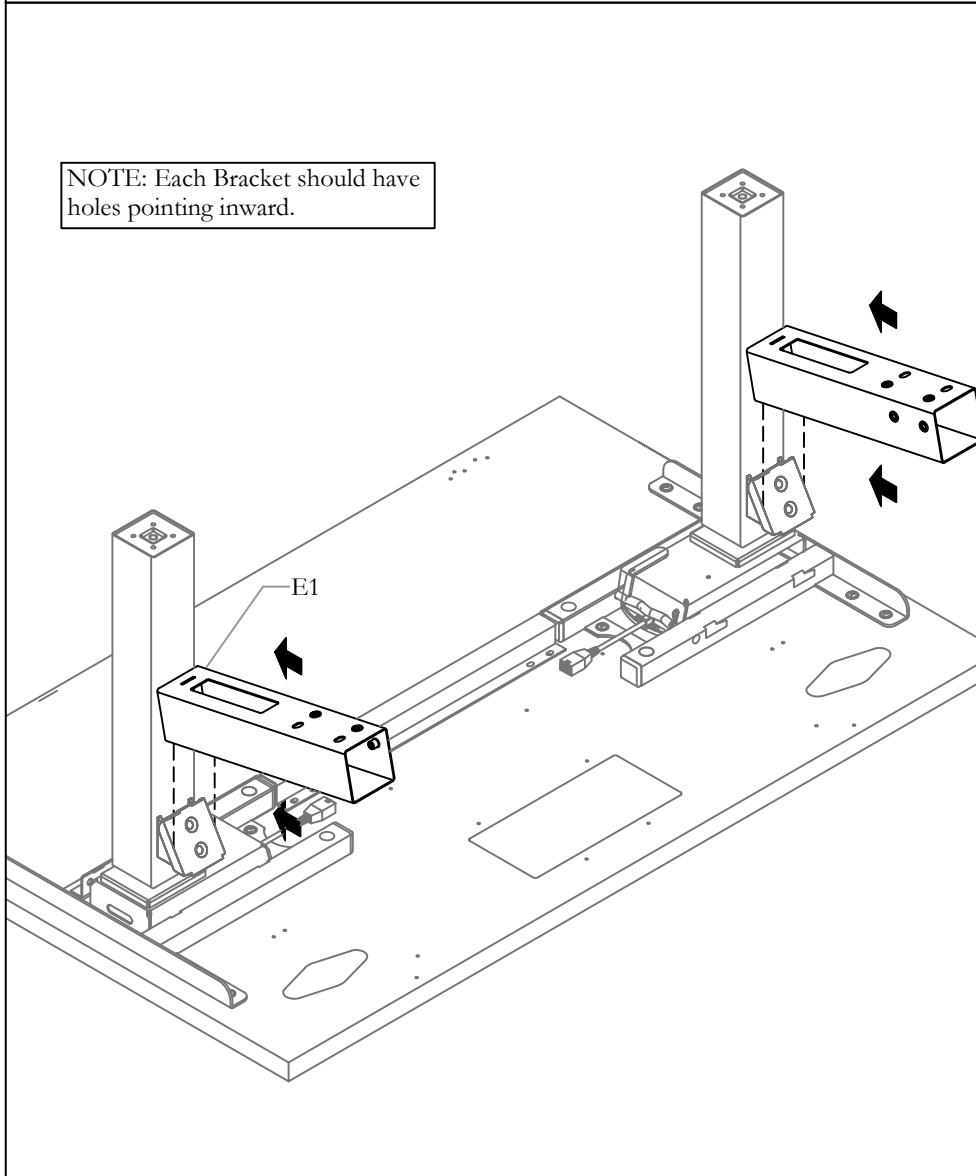


STEP 6: Insert Pin as shown to lock Cam Handle.



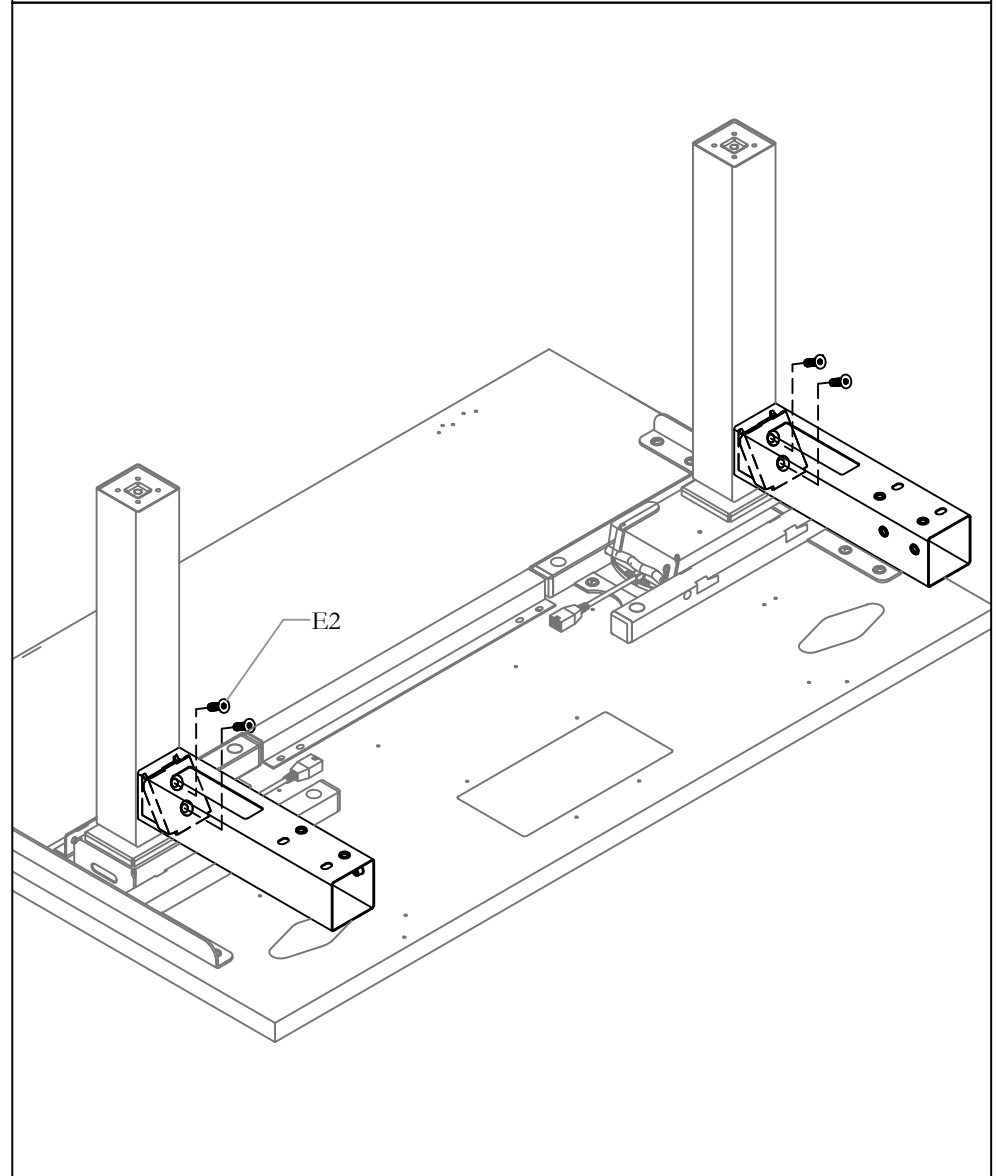
## ATTACH FRAME CONNECTING TUBES

NOTE: Each Bracket should have holes pointing inward.



STEP 7: Attach the Frame Connecting Tubes to the Brackets on the Leg Assembly.

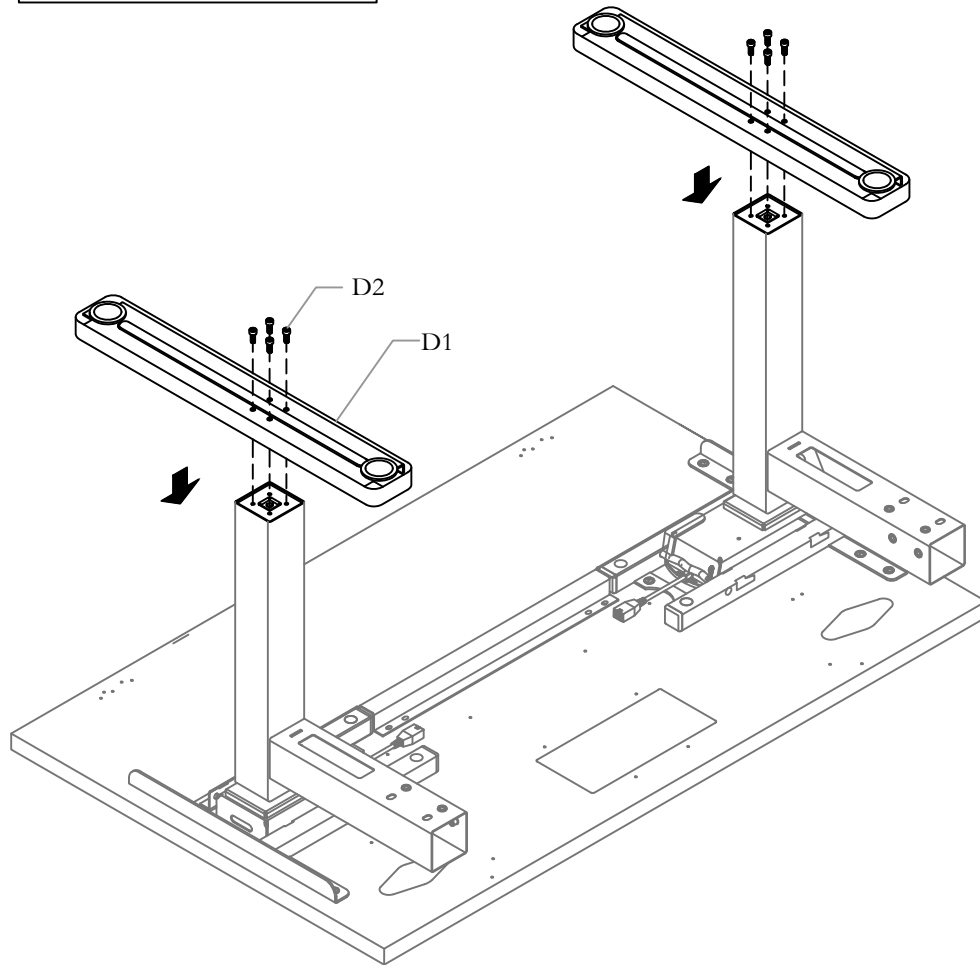
## SECURE FRAME CONNECTING TUBES



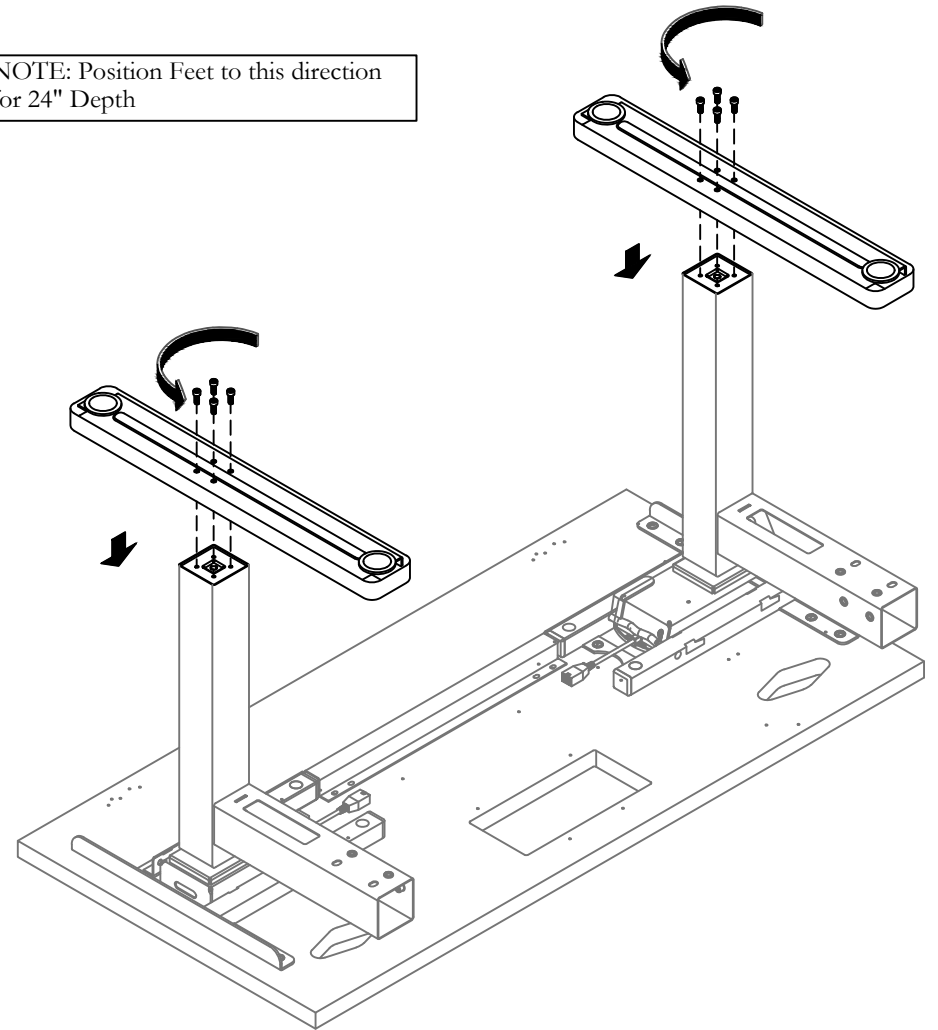
STEP 8: Fasten the Frame Connecting Tubes using the provided screws

## ATTACH FEET TO LEGS

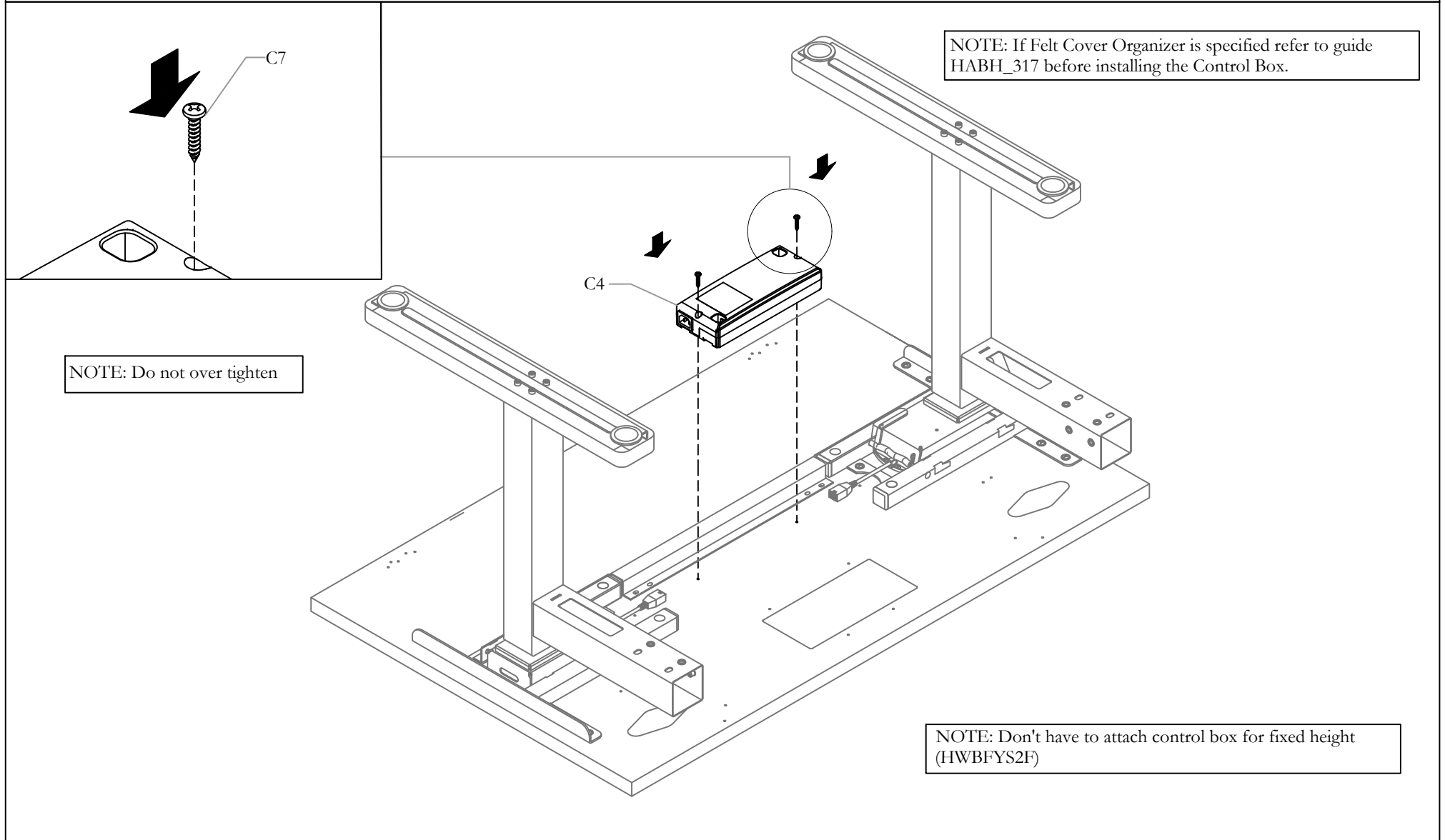
NOTE: Position Feet in this direction for 30" Depth.



NOTE: Position Feet to this direction for 24" Depth.

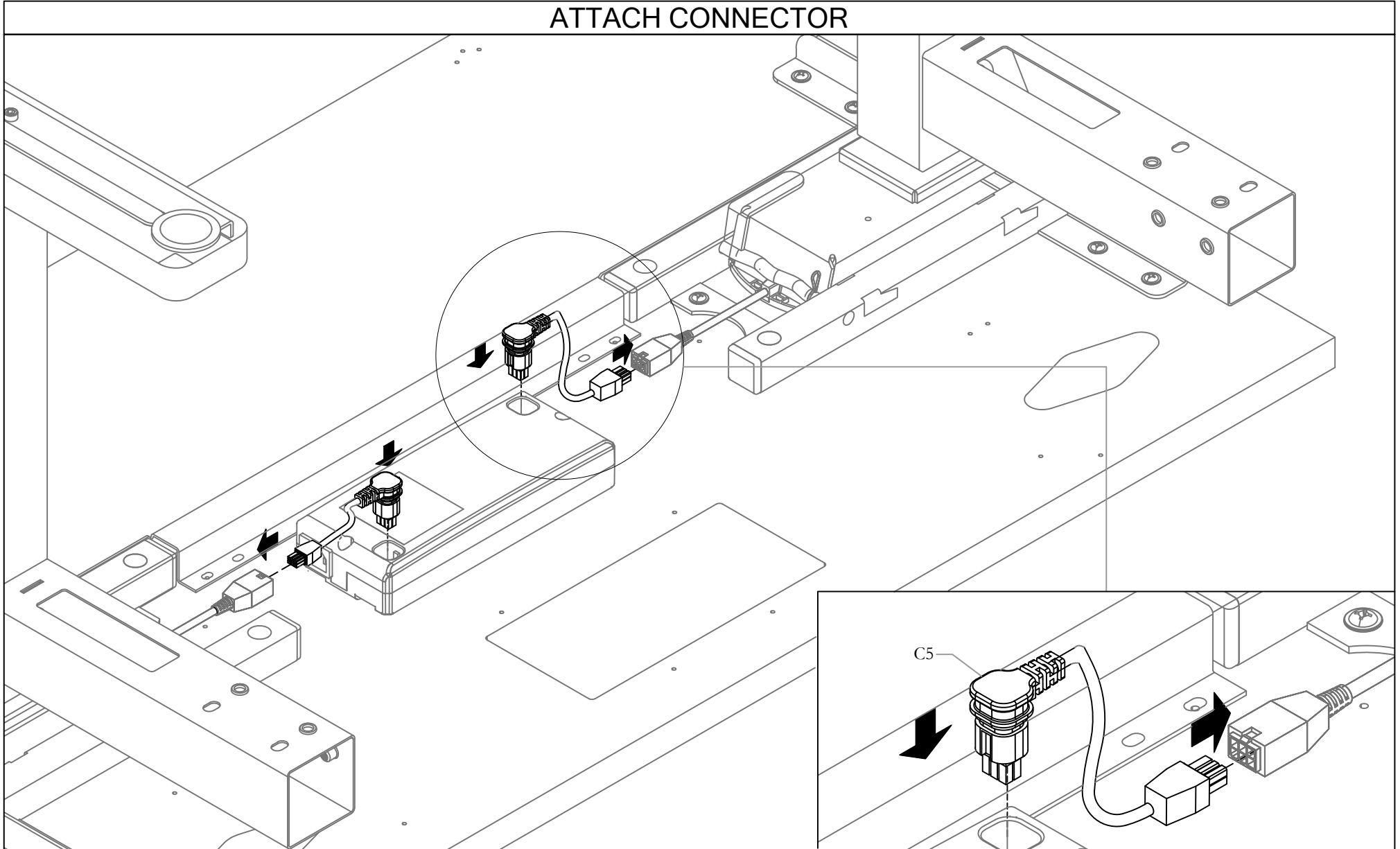


## ATTACH CONTROL BOX TO WORKSURFACE



STEP 10: Attach Control Box to Worksurface and fasten using provided screws. If Felt Cover Organizer is specified refer to guide HABH\_317 before installing the Control Box.

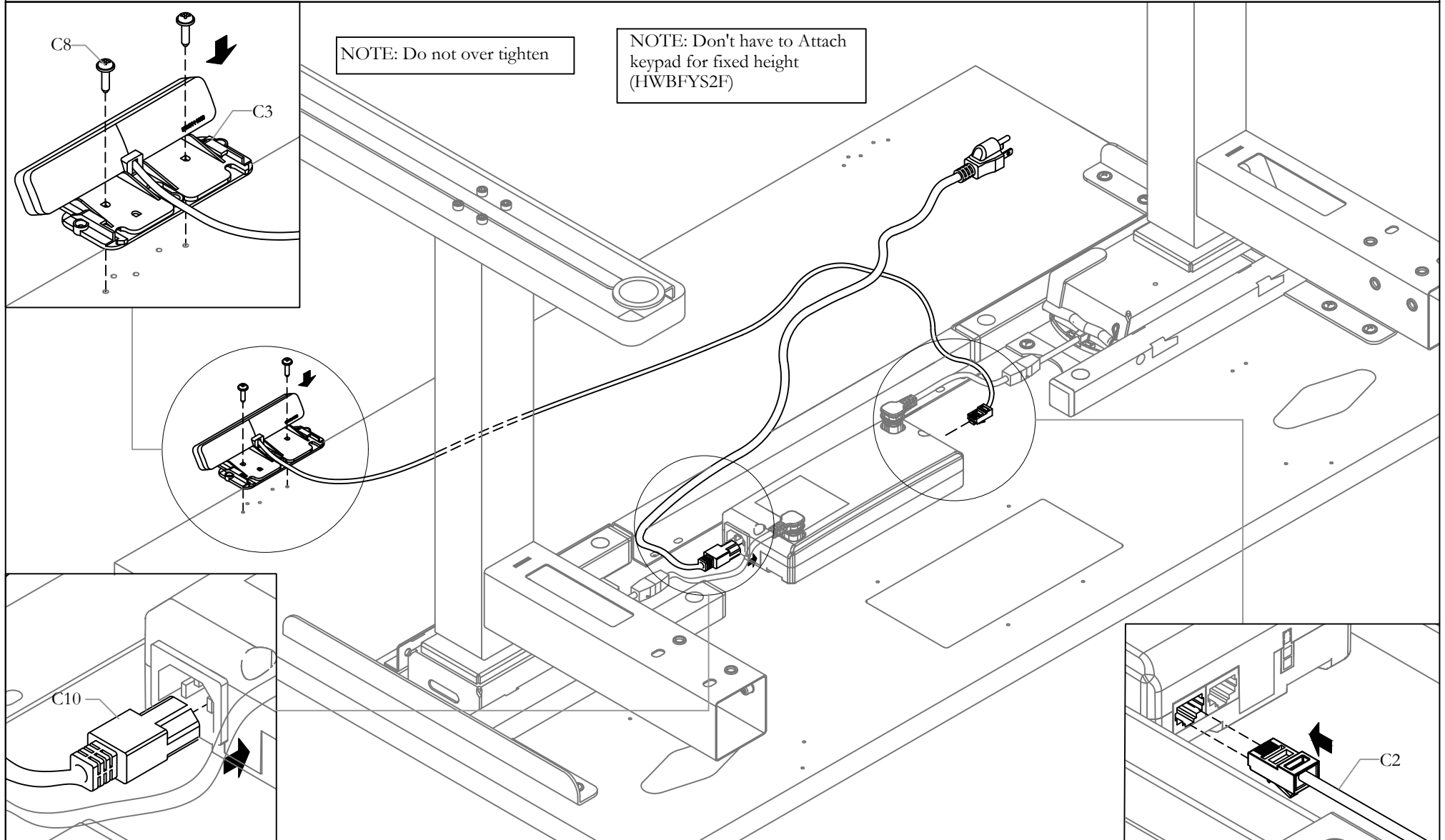
### ATTACH CONNECTOR



STEP 11: Attach the Control Box to the Legs using Connector Cable as shown.

NOTE: Don't have to Attach connector for fixed height (HWBFYS2F)

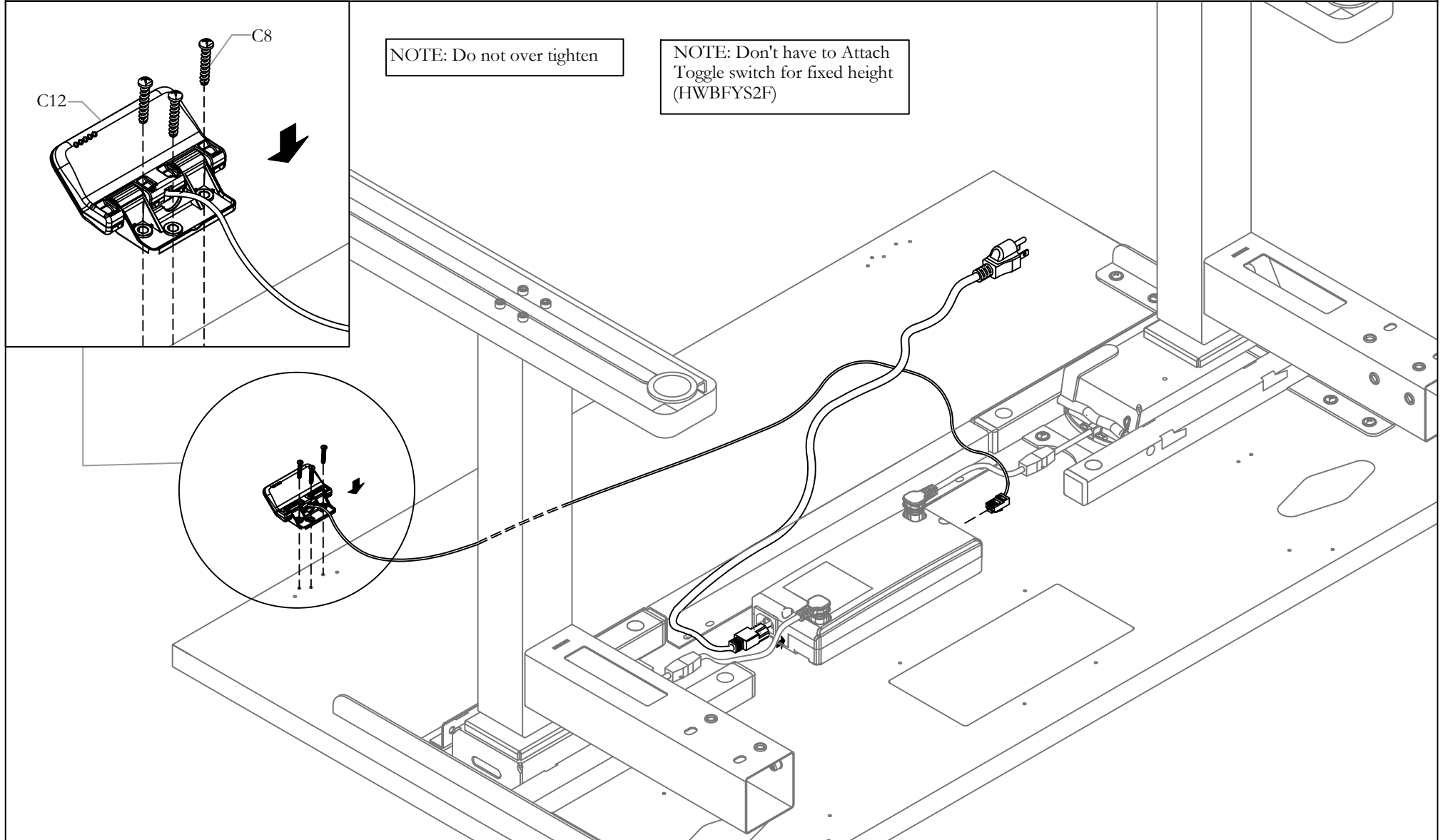
### ATTACH SWITCH AND WIRE MANAGEMENT



STEP 12a: Secure Keypad to Worksurface and connect to Control Box using attached cable. Attach Power Cord to Control Box.

NOTE: Either Keypad or Toggle switch can be attached according to customer's need

### ATTACH SWITCH AND WIRE MANAGEMENT



STEP 12b: Secure Toggle switch to Worksurface and connect to Control Box using attached cable. Attach Power Cord to Control Box.

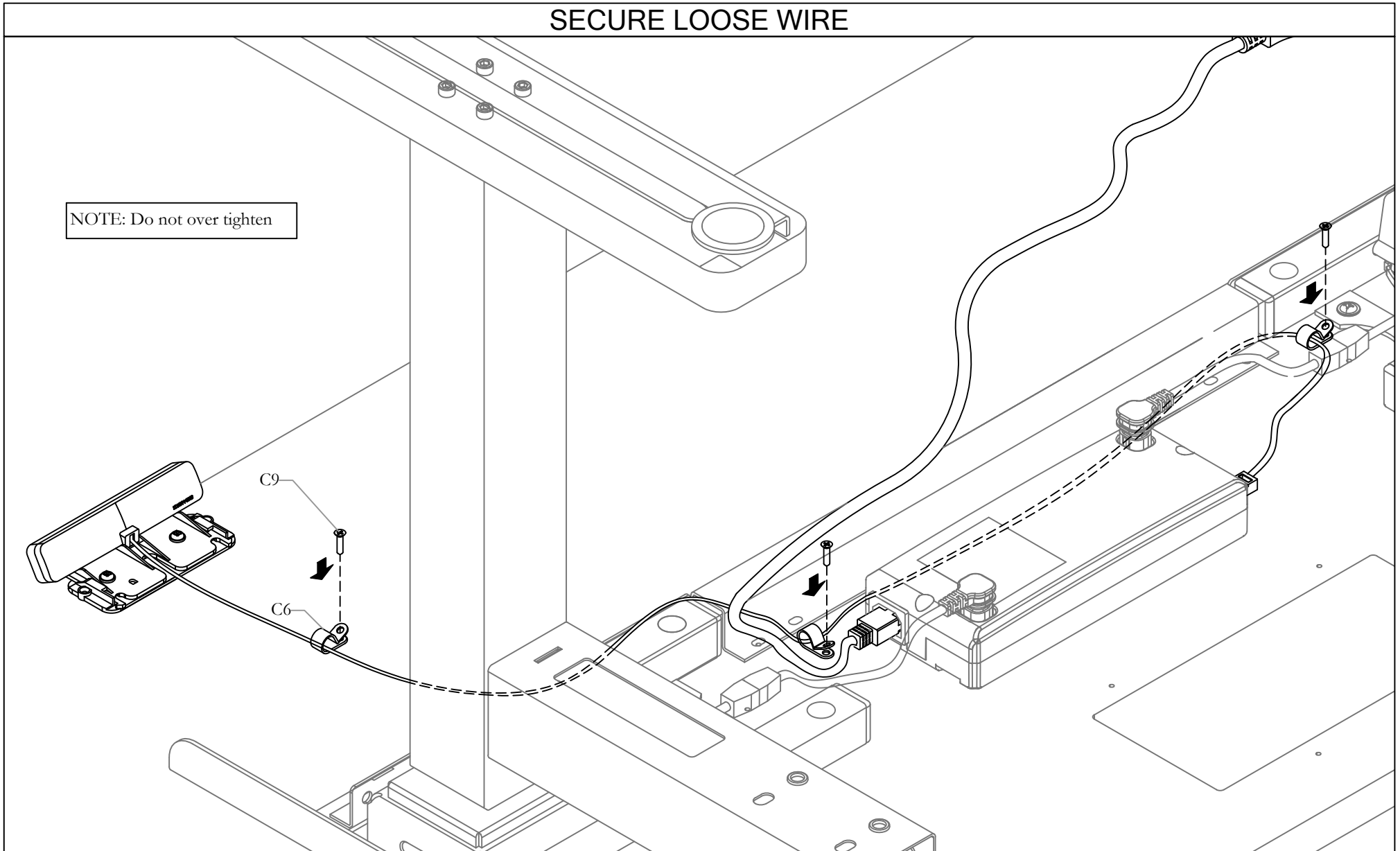
NOTE: Either Keypad or Toggle switch can be attached according to customer's need

Section: **HEIGHT ADJUSTABLE BENCH**  
Description: **FRAME SINGLE-SIDED HAB**

Date: May 2023 Page No: 13 of 19  
HABH\_113

## SECURE LOOSE WIRE

NOTE: Do not over tighten

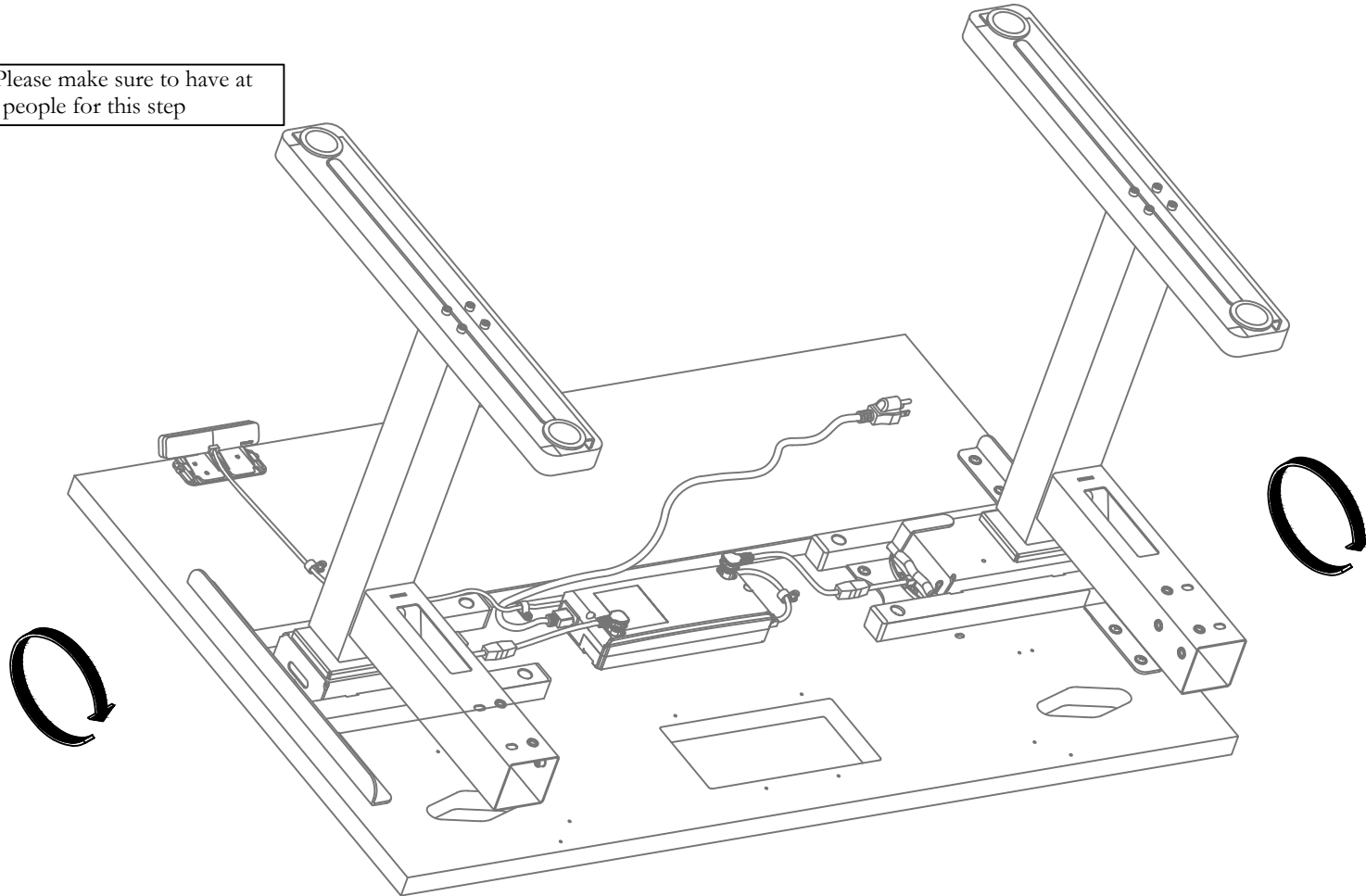


STEP 13: Secure loose wires to Worksurface using Cable Clamps.

NOTE: Don't have to Secure loose wire for fixed height (HWBFYS2F)

FLIP OVER TABLE

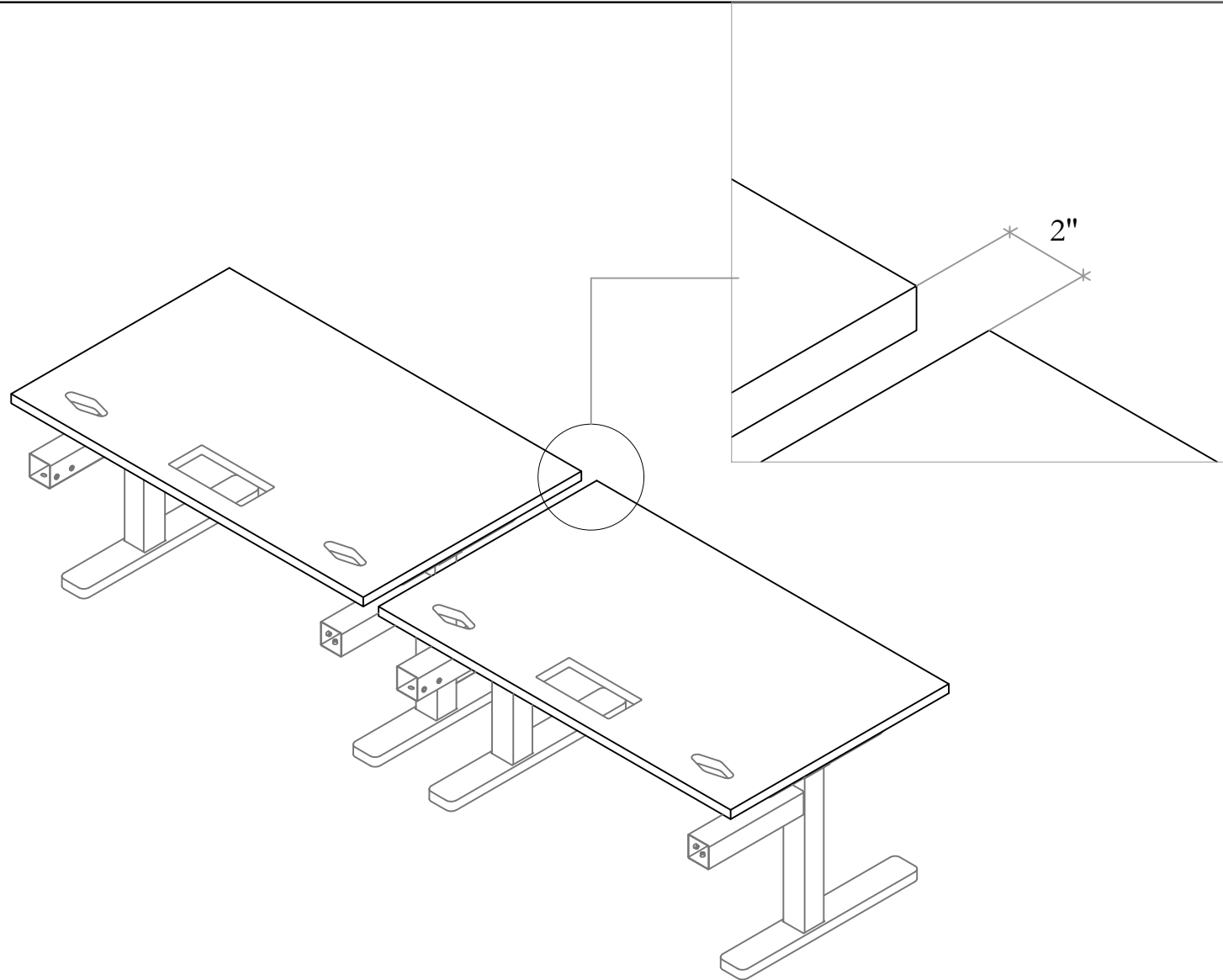
NOTE: Please make sure to have at least two people for this step



STEP 14: Flip over the Table



LINKING ASSEMBLYS: ALIGN WORKSURFACES



STEP 15: Bring over 2nd Assembly and Align Worksurfaces so that they are 2" apart.

Section: **HEIGHT ADJUSTABLE BENCH**  
Description: **FRAME SINGLE-SIDED HAB**

Date: May 2023 Page No: 16 of 19  
HABH\_113

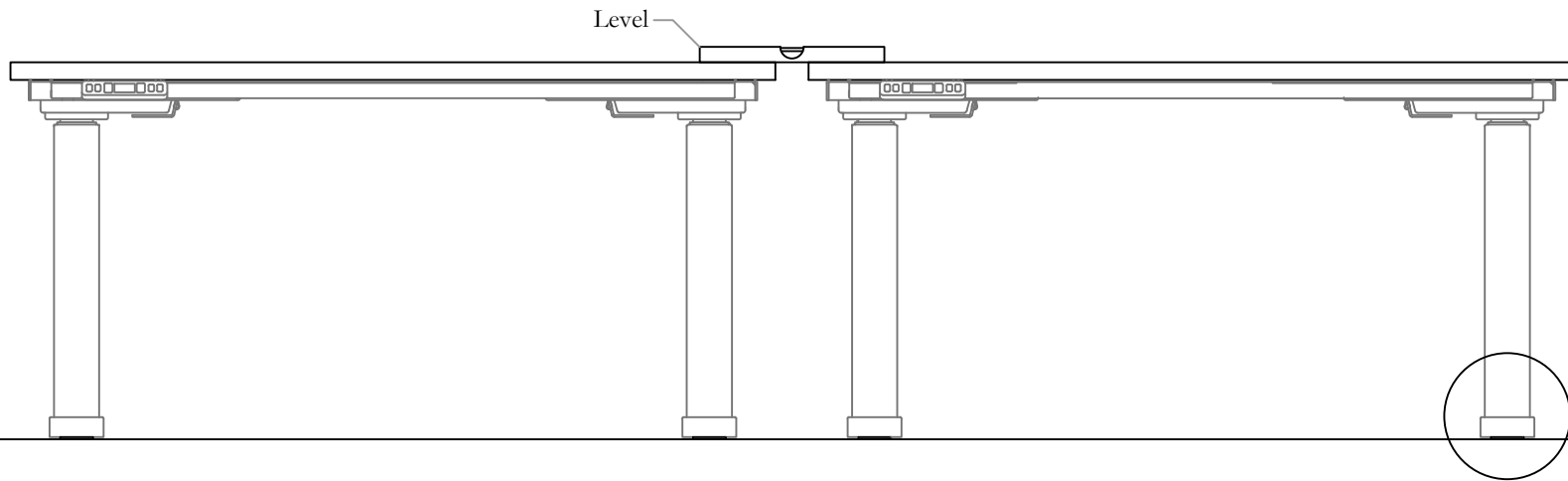
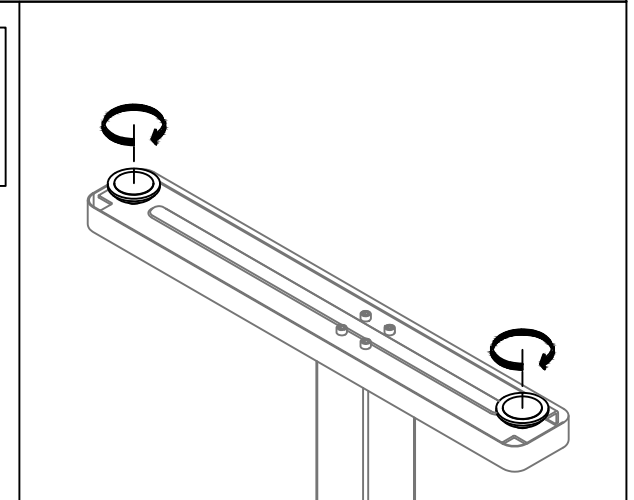
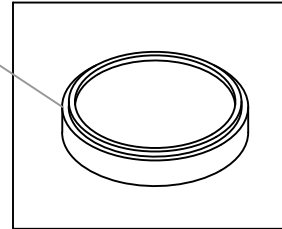
## ROUGH LEVELING

NOTE: If the difference in floor elevation between frames is  $>1\text{-}1/8"$  they cannot be linked.

NOTE: If the difference in elevation is  $>10\text{mm}$  use Single-Sided Leveler Extension Blocks (SOLD SEPARATELY) to increase leveling range.

Single-Sided Leveler Extension Block (HWBFWK)

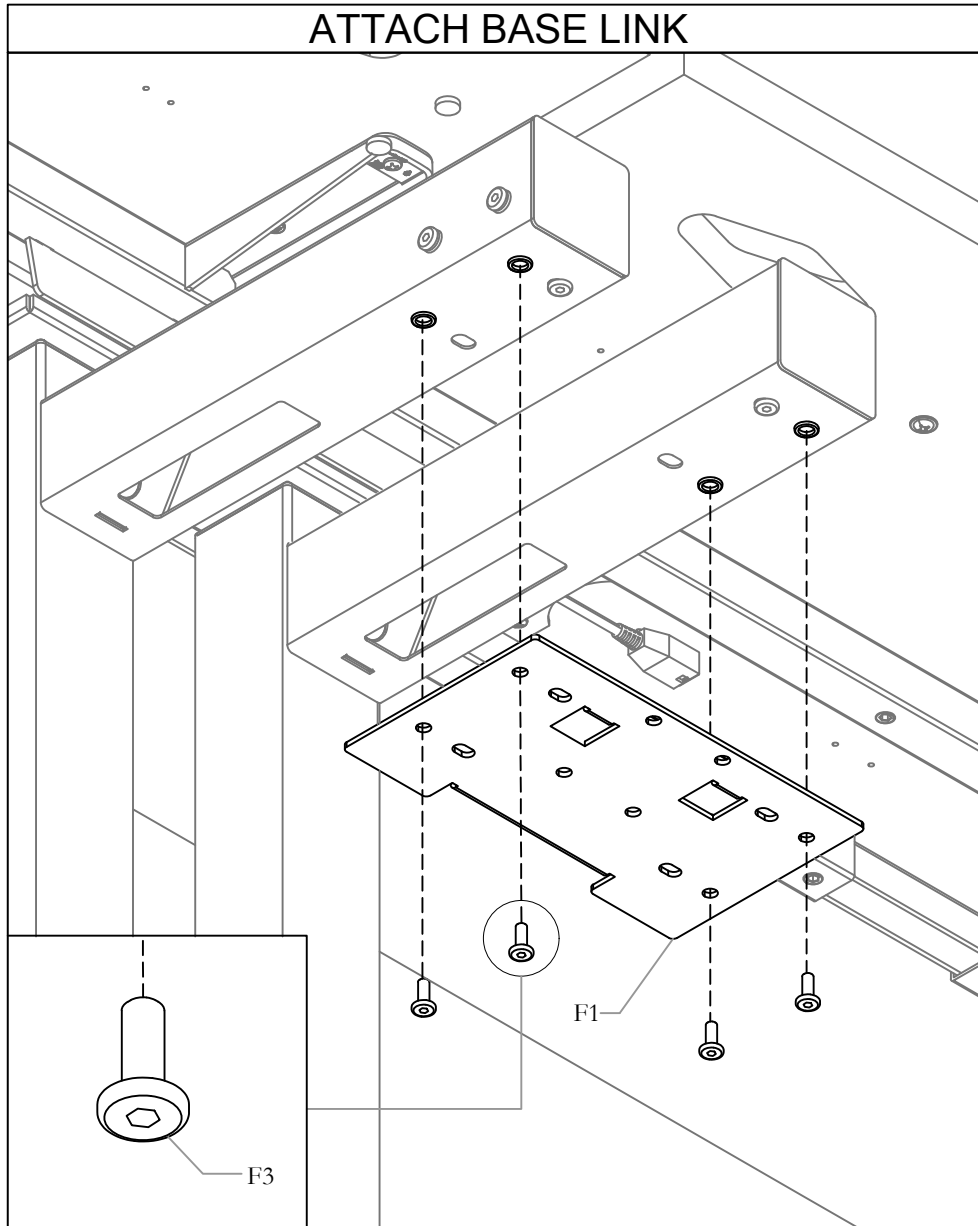
NOT INCLUDED



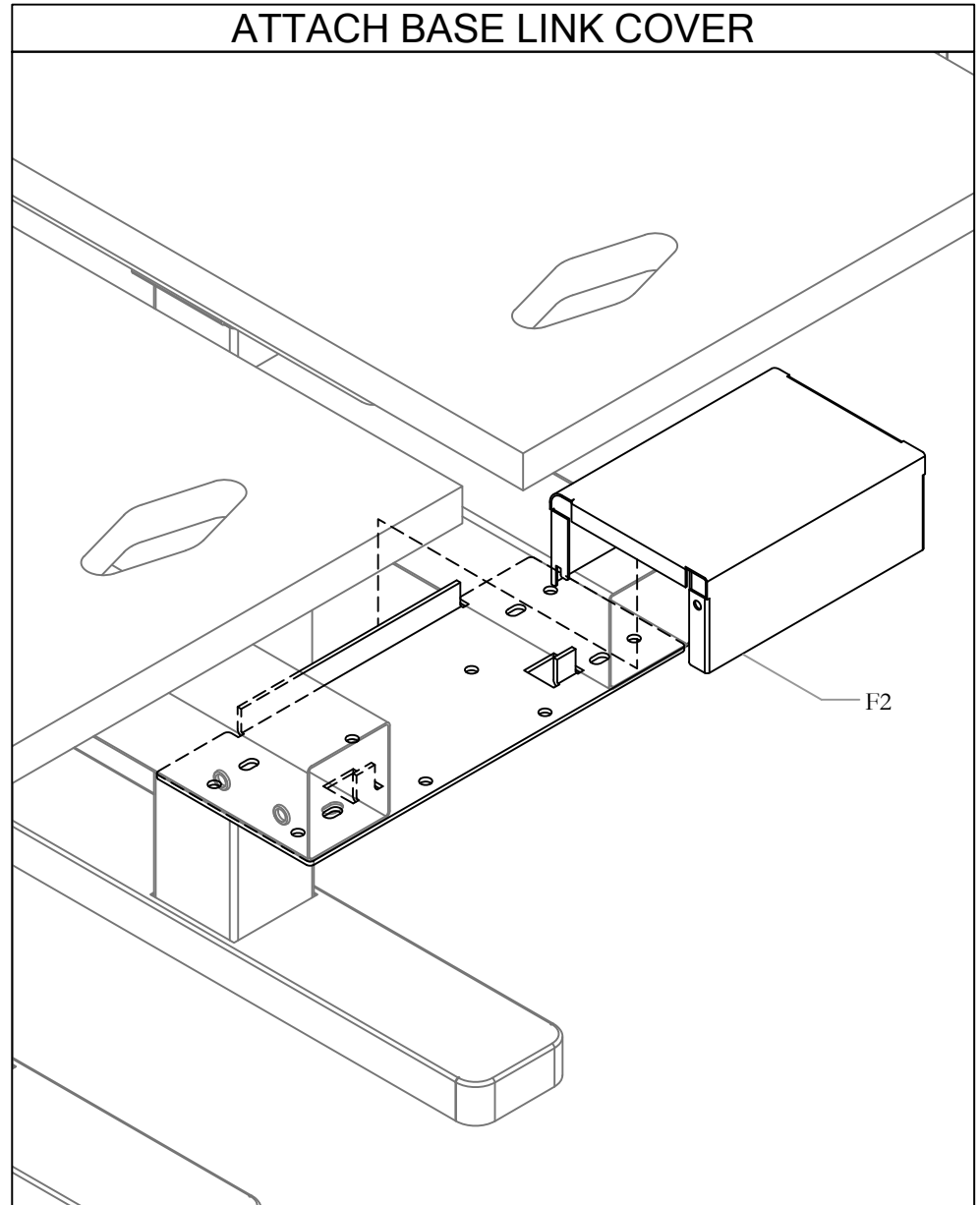
STEP 16: Ensure Bench is level. Rotate Levelers as needed to adjust height. This step will be repeated after Base Link is installed.

Section: **HEIGHT ADJUSTABLE BENCH**  
Description: **FRAME SINGLE-SIDED HAB**

Date: May 2023 Page No: 17 Of 19  
HABH\_113



STEP 17: Attach Base Link to underside of Frame Connecting Tubes and secure using provided screws.



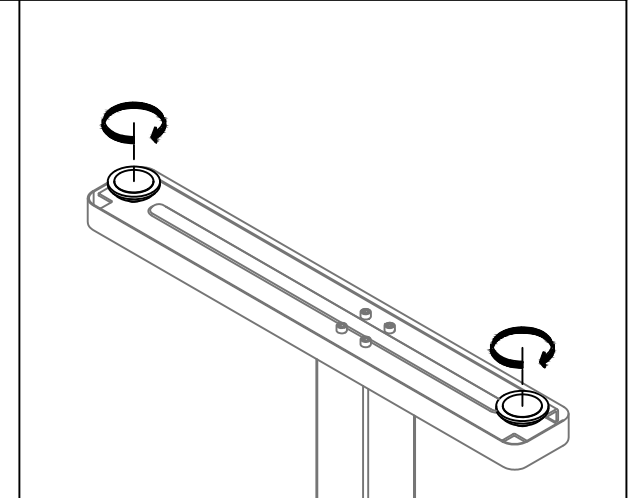
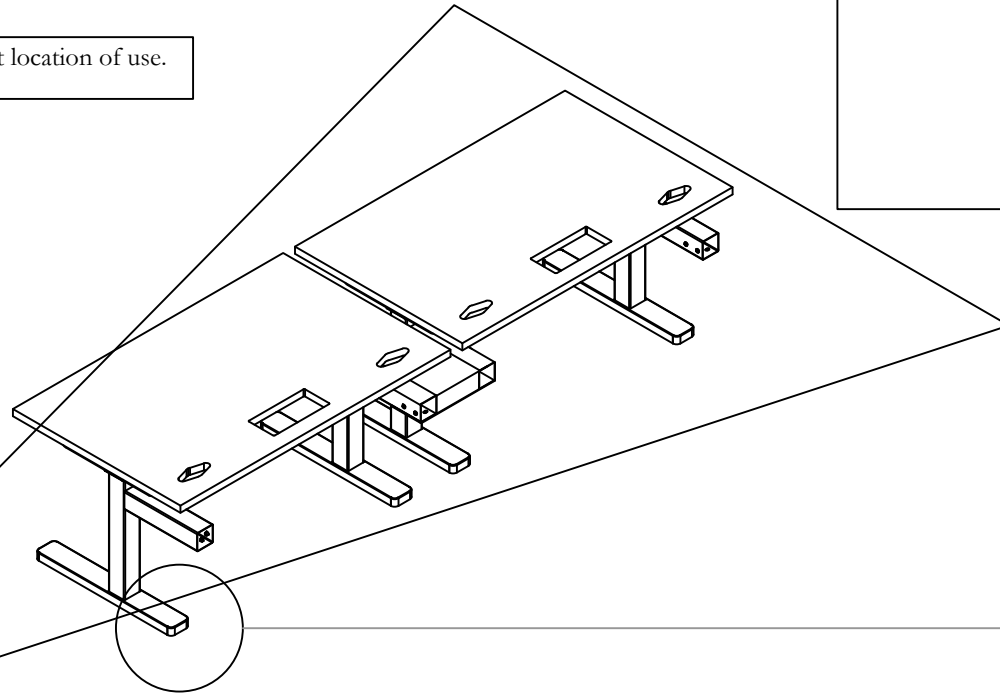
STEP 18: Attach the Base Link Cover to the Base Link by placing it on the bracket and snapping in place.

## LEVELING BENCH - FINAL ADJUSTMENTS

NOTE: It is recommended to use a laser level tool to check final alignment.

NOTE: The unit must be levelled at the exact location of use.

Laser Level



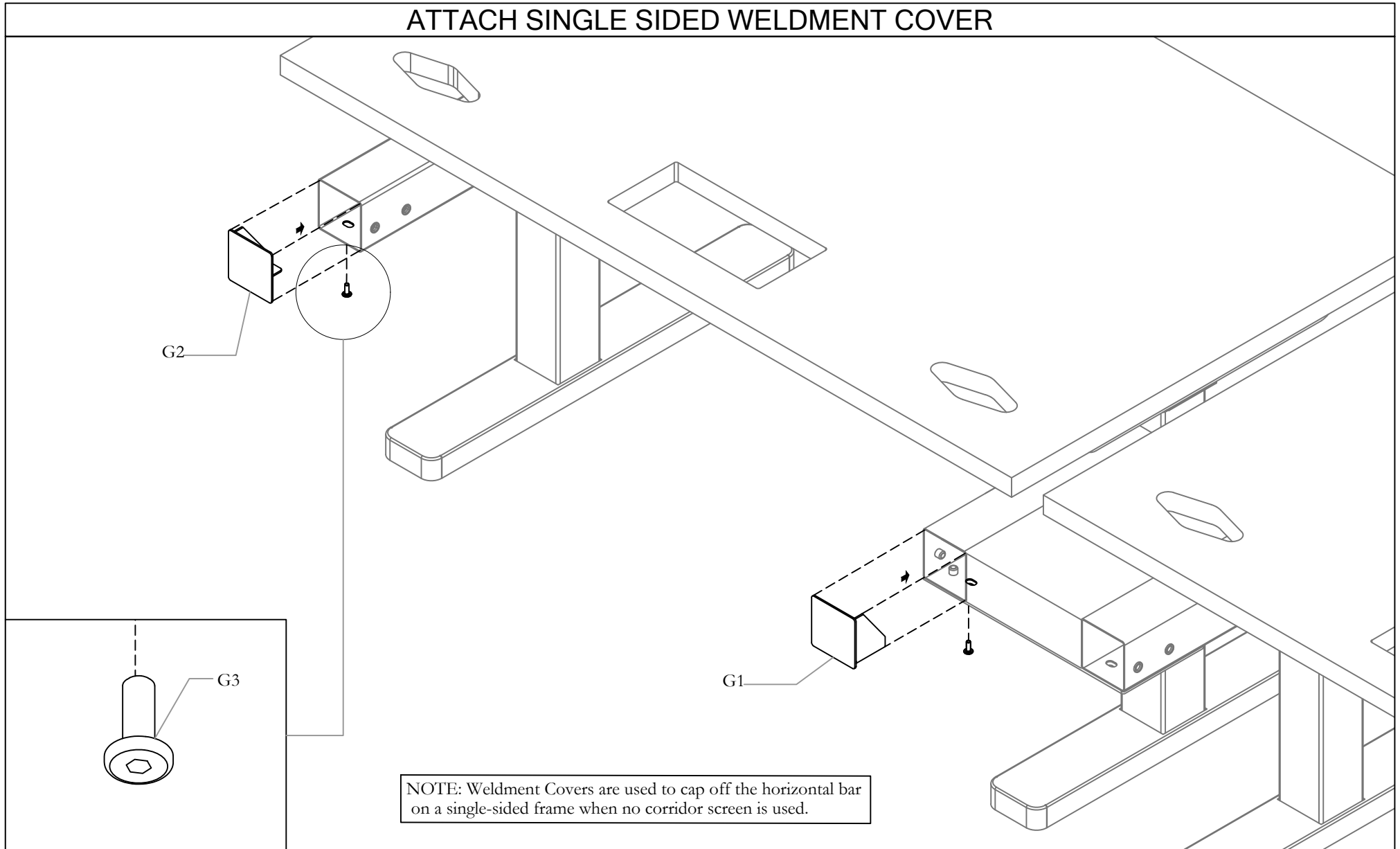
STEP 19: Repeat Step 16 to ensure entire Bench is level for both Width and Depth.

Section: **HEIGHT ADJUSTABLE BENCH**

Date: May 2023 Page No: 19 of 19  
HABH\_113

Description: **SINGLE SIDED WELDMENT COVER**

## ATTACH SINGLE SIDED WELDMENT COVER

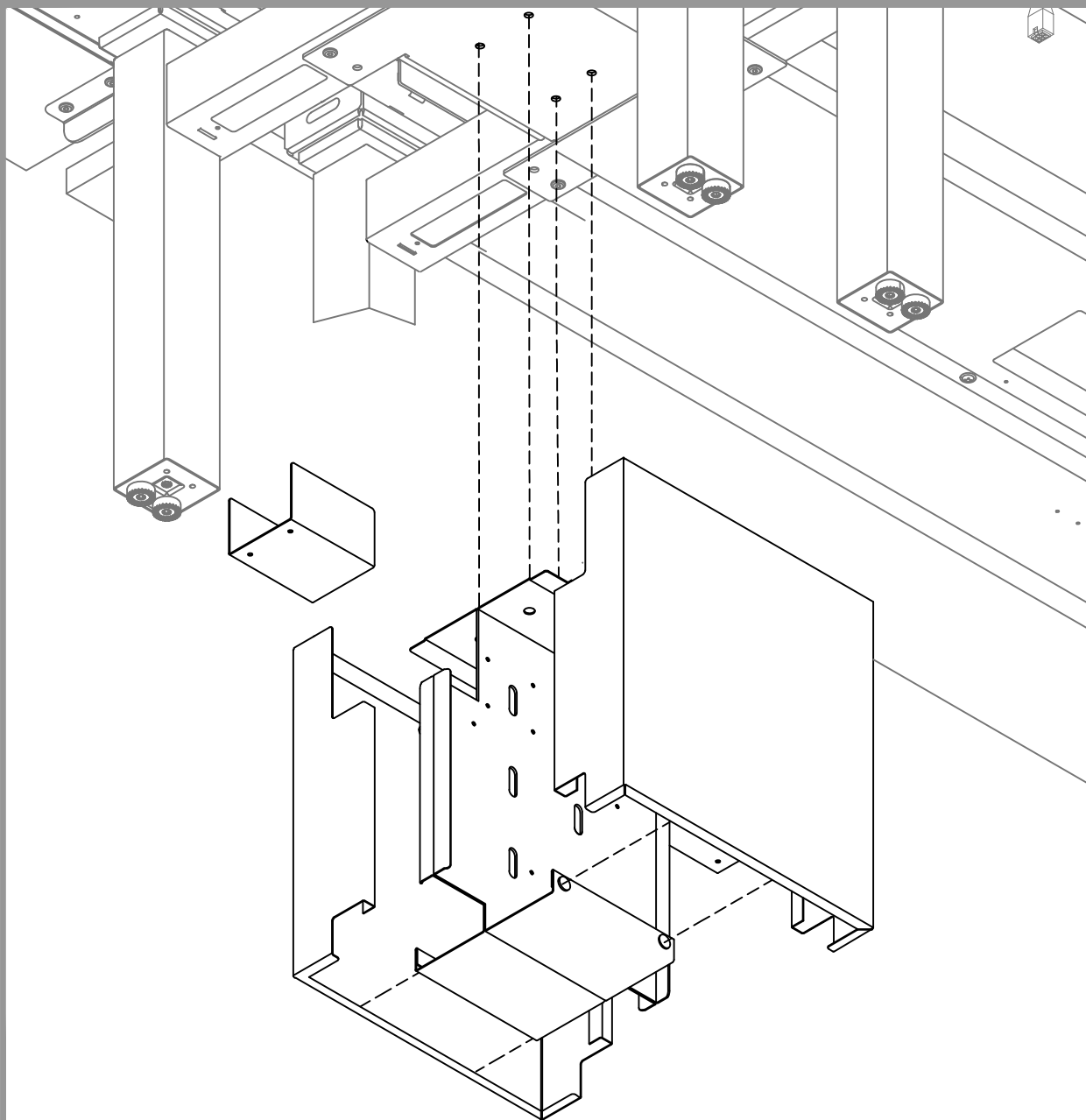


STEP 20: Attach Single sided weldment covers and secure with fasteners.

Section: **HEIGHT ADJUSTABLE BENCH**

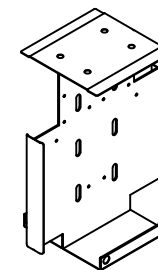
Description: **DOUBLE SIDED MID CABLE RISER**

## Double-Sided Cable Riser - Mid (HWBECMD)

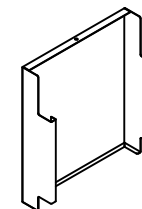


## Part and Product Identification

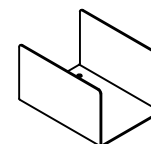
A - DOUBLE SIDED MID CABLE RISER (HWBECMD) x1



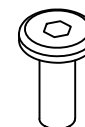
**A1** - Mid Cable Riser Body Assembly  
(N01-5572) x 1



**A2** - Mid Cable Riser Cover Assembly  
(N01-6090) x 2



**A3** - Wire Cover  
(A16-9914) x 2



**A4** - M6 x 16mm Screw Chrome  
(E01-1409) x 4



**A5** - 10-32-3/8" Sheet Metal Screw  
(E07-0084) x 4

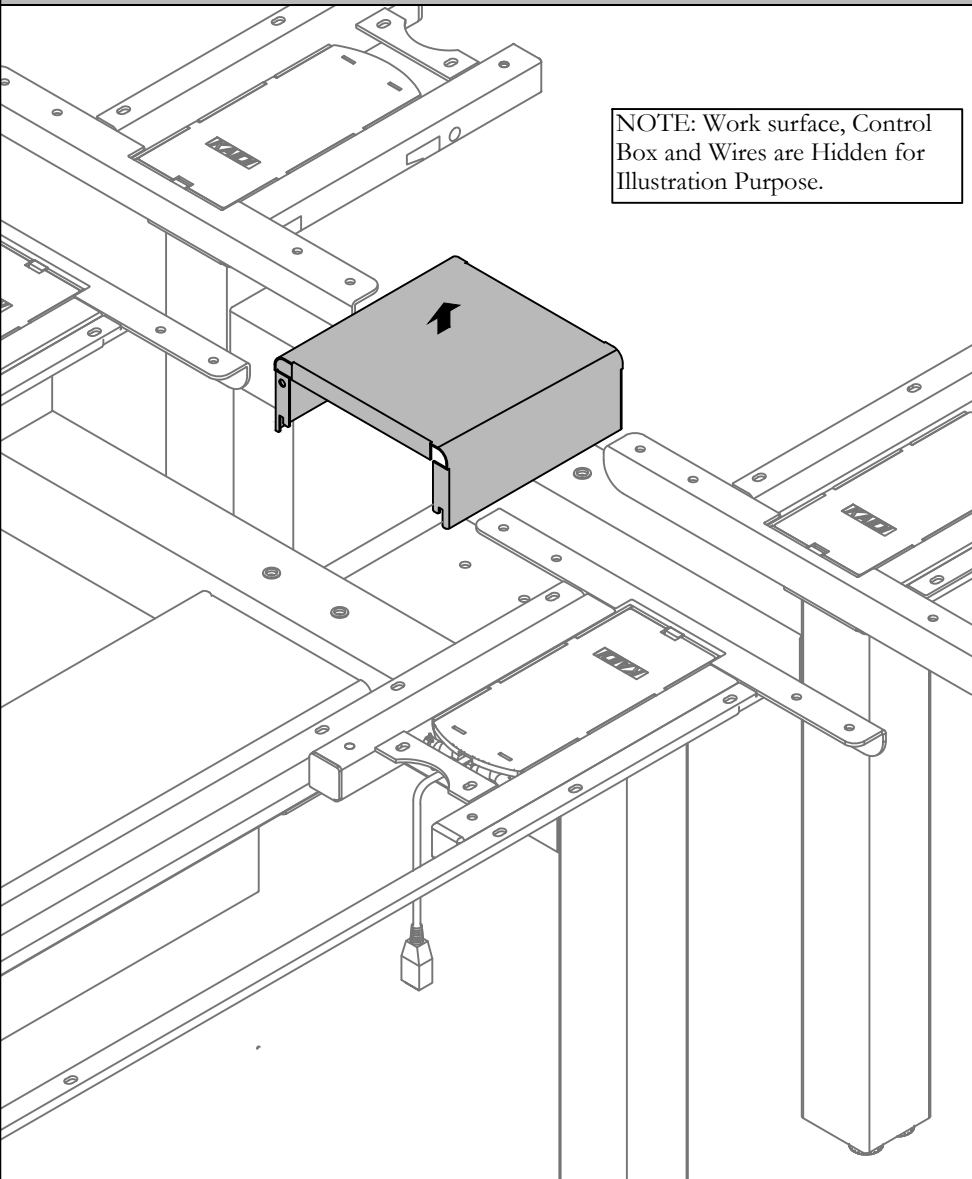
# height adjustable bench *Installation Guides*

Section: **HEIGHT ADJUSTABLE BENCH**

Date: Feb 2022 Page No: 2 of 4  
HABH\_114a

Description: **DOUBLE SIDED MID CABLE RISER**

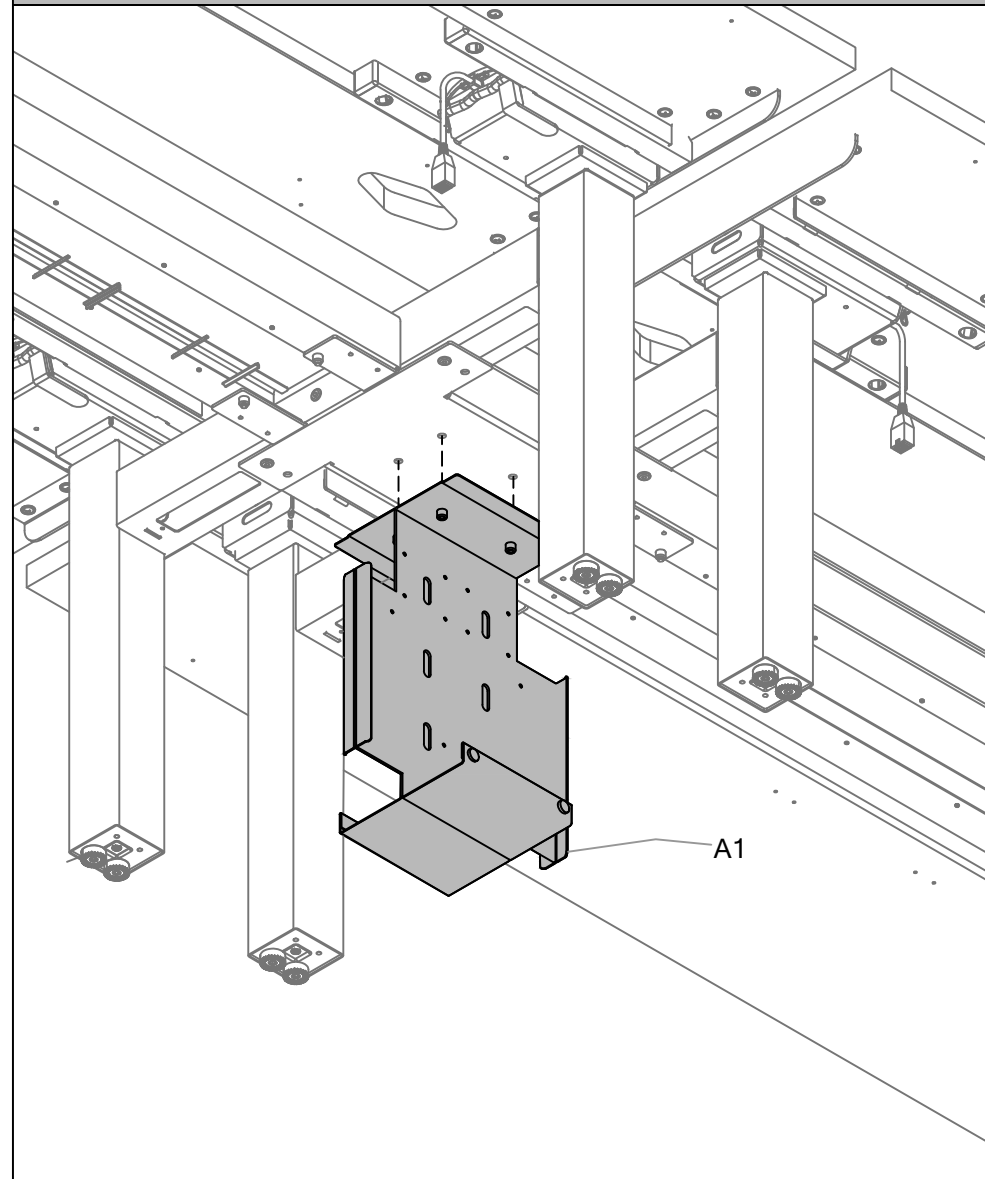
## REMOVE BASE LINK COVER



NOTE: Work surface, Control Box and Wires are Hidden for Illustration Purpose.

STEP 1: Remove the Base Link Cover by pulling it upwards.

## ATTACH MID CABLE RISER BODY ASSEMBLY

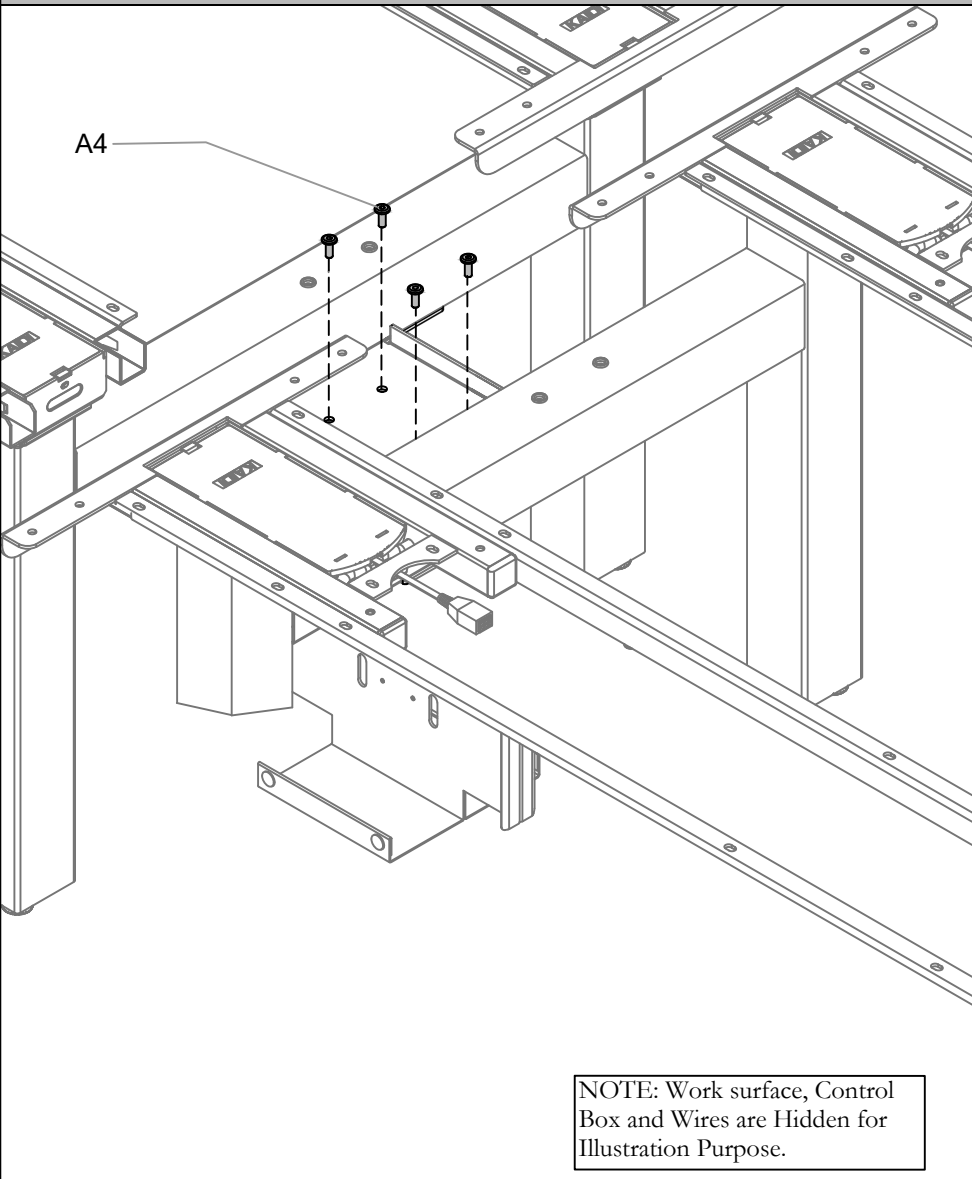


STEP 2: Attach the Mid Cable Riser Body Assembly to the base link bracket from the bottom.

Section: HEIGHT ADJUSTABLE BENCH  
Description: DOUBLE SIDED MID CABLE RISER

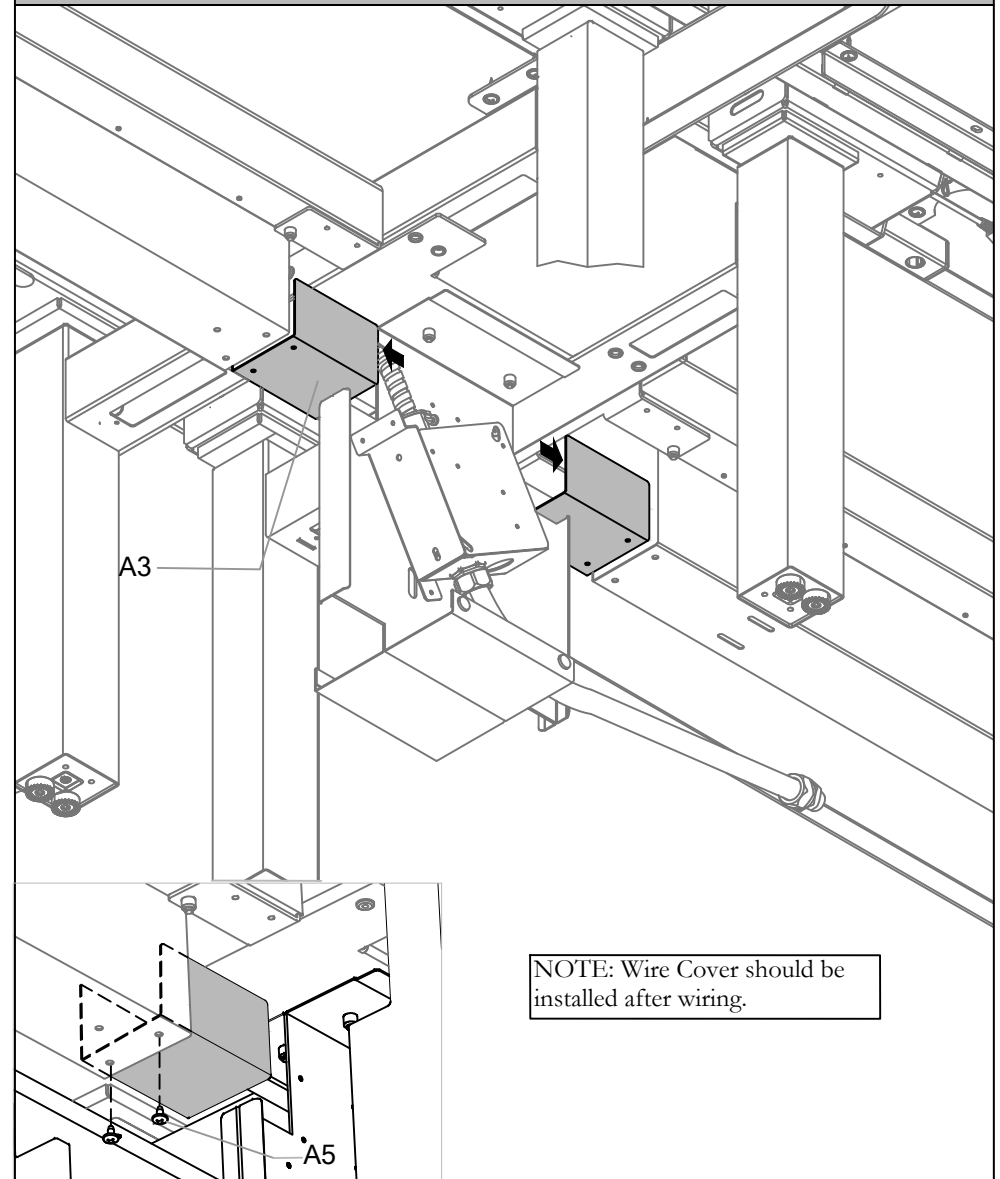
Date: Feb 2022 Page No: 3 of 4  
HABH\_114a

**SECURE MID RISER ASSEMBLY**



STEP 3: Secure Mid Riser assembly with fasteners provided.

**ATTACH WIRE COVER**



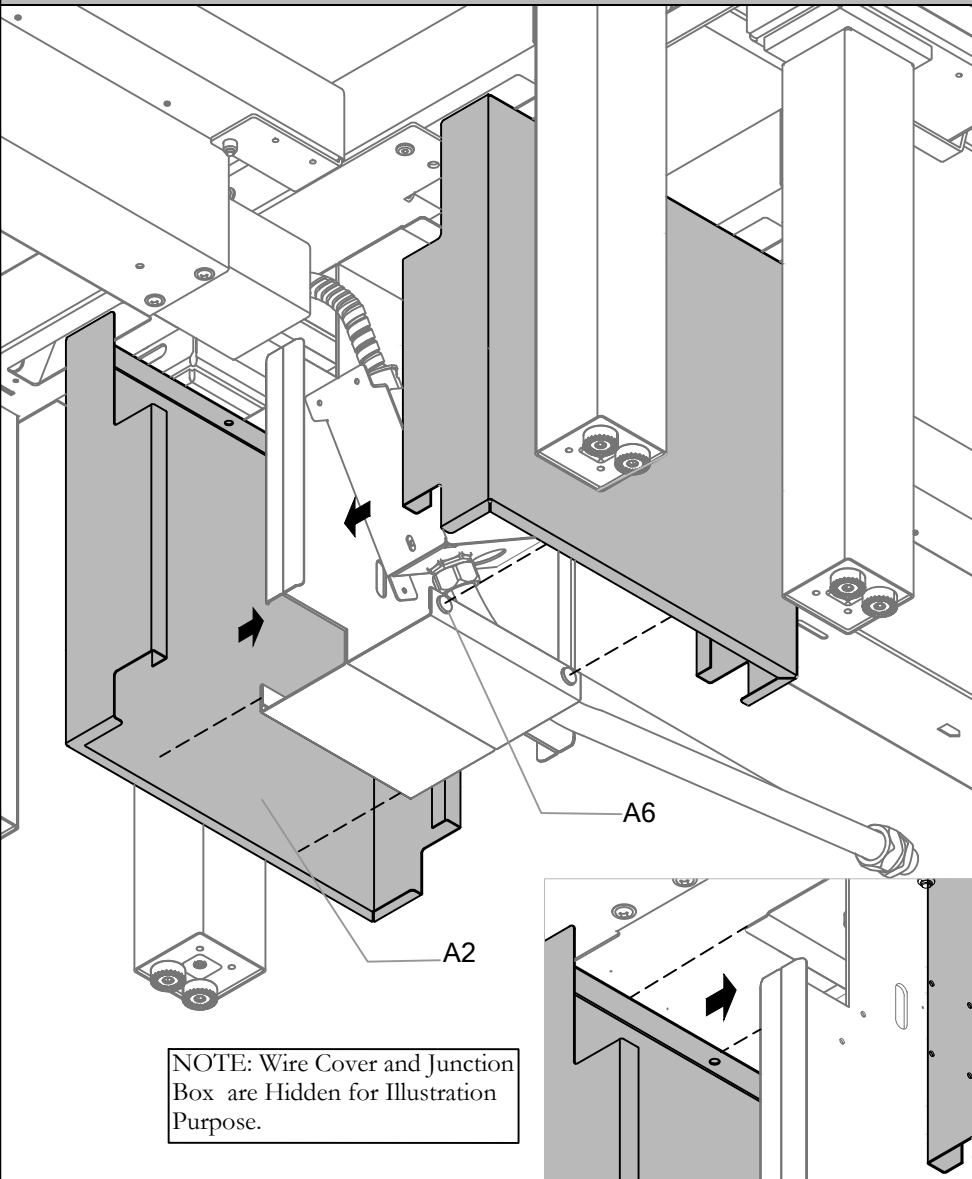
STEP 4: Put Cable cover into Double Sided spine tray and fasten with Screws.



Section: **HEIGHT ADJUSTABLE BENCH**  
Description: **DOUBLE SIDED MID CABLE RISER**

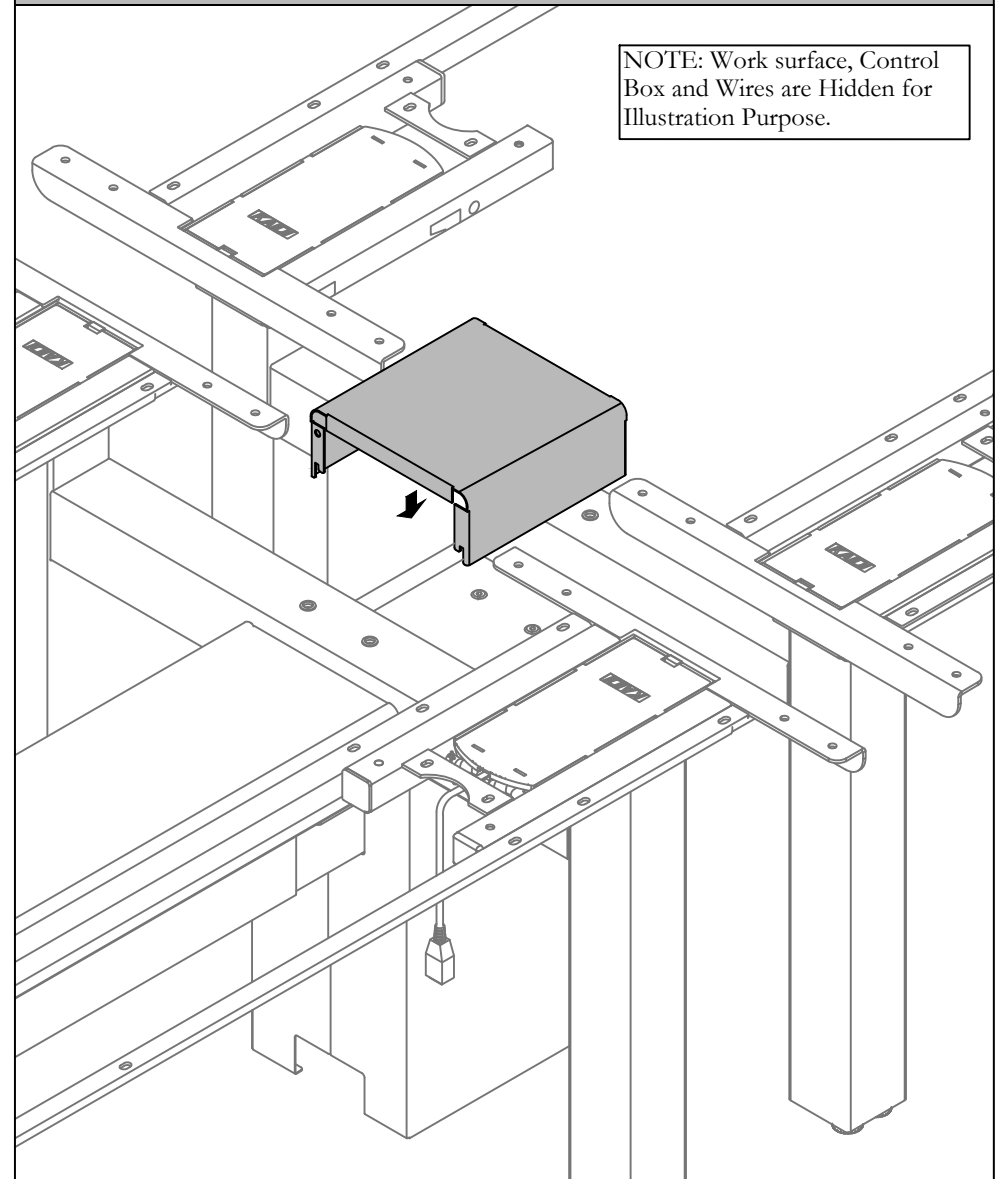
Date: Feb 2022 Page No: 4 of 4  
HABH\_114a

## ATTACH MID CABLE RISER COVER ASSEMBLY



STEP 5: Attach the Mid Riser Cover assembly.

## ATTACH BASE LINK COVER



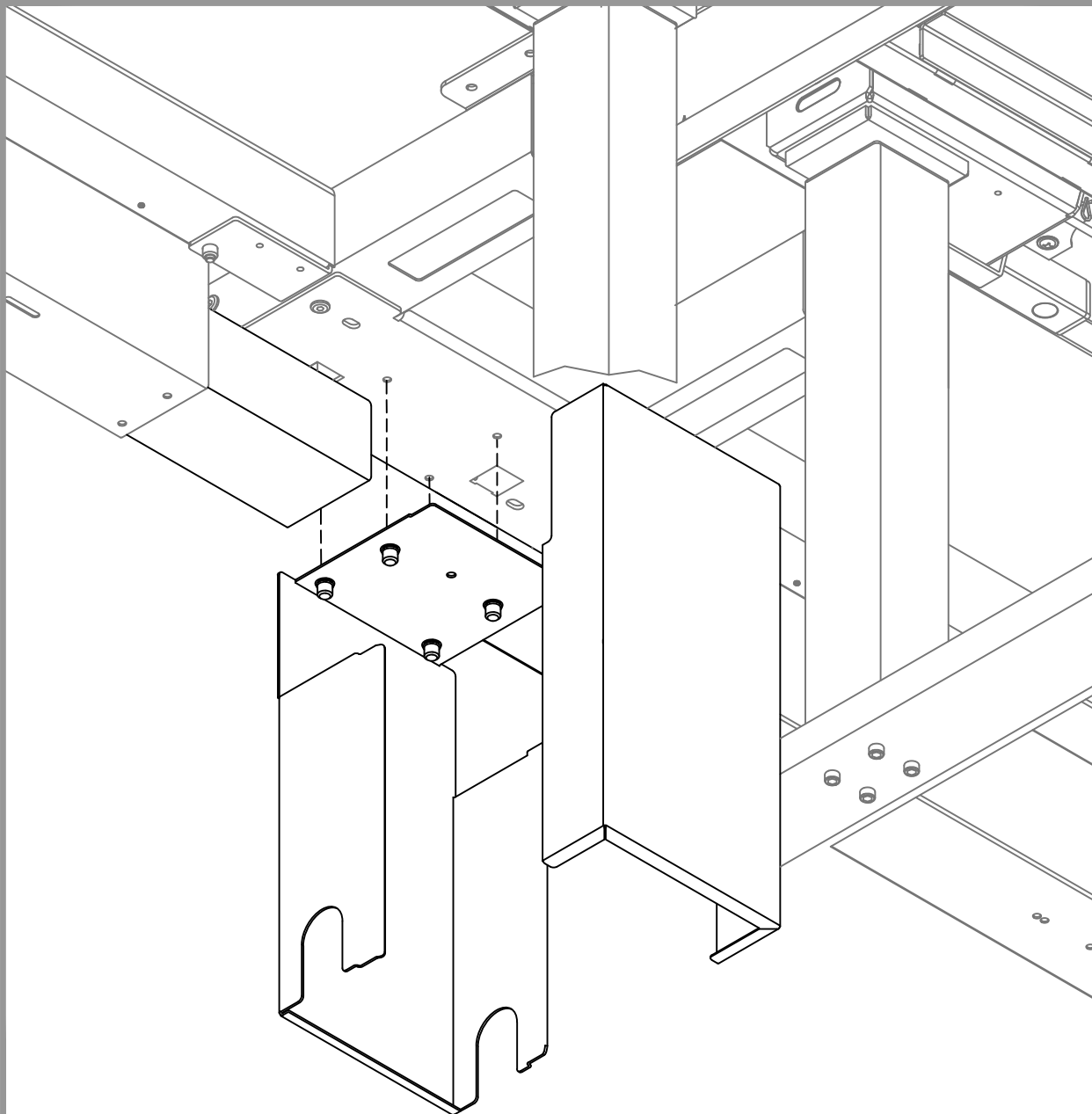
STEP 6: Put the base link cover back on the bracket.

Section: **HEIGHT ADJUSTABLE BENCH**

Description: **SINGLE SIDED CABLE RISER**

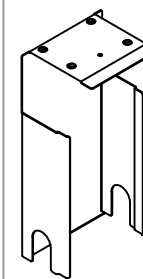
Date: Feb 2022 Page No: 1 of 4  
HABH\_114b Rev. No: 0

## Single-Sided Cable Riser - Mid (HWBECMS)

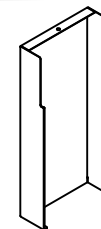


## Part and Product Identification

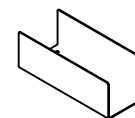
A - Single Sided Cable Riser (HWBECMS) x1



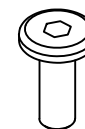
**A1** - Mid Cable Riser Body Assembly, SS (N01-6076) x 1



**A2** - Mid Cable Riser Cover, SS (N01-6077) x 1



**A3** - Wire Cover, SS (A16-9979) x 2



**A4** - M6 x 16mm Screw Chrome (E01-1409) x 4

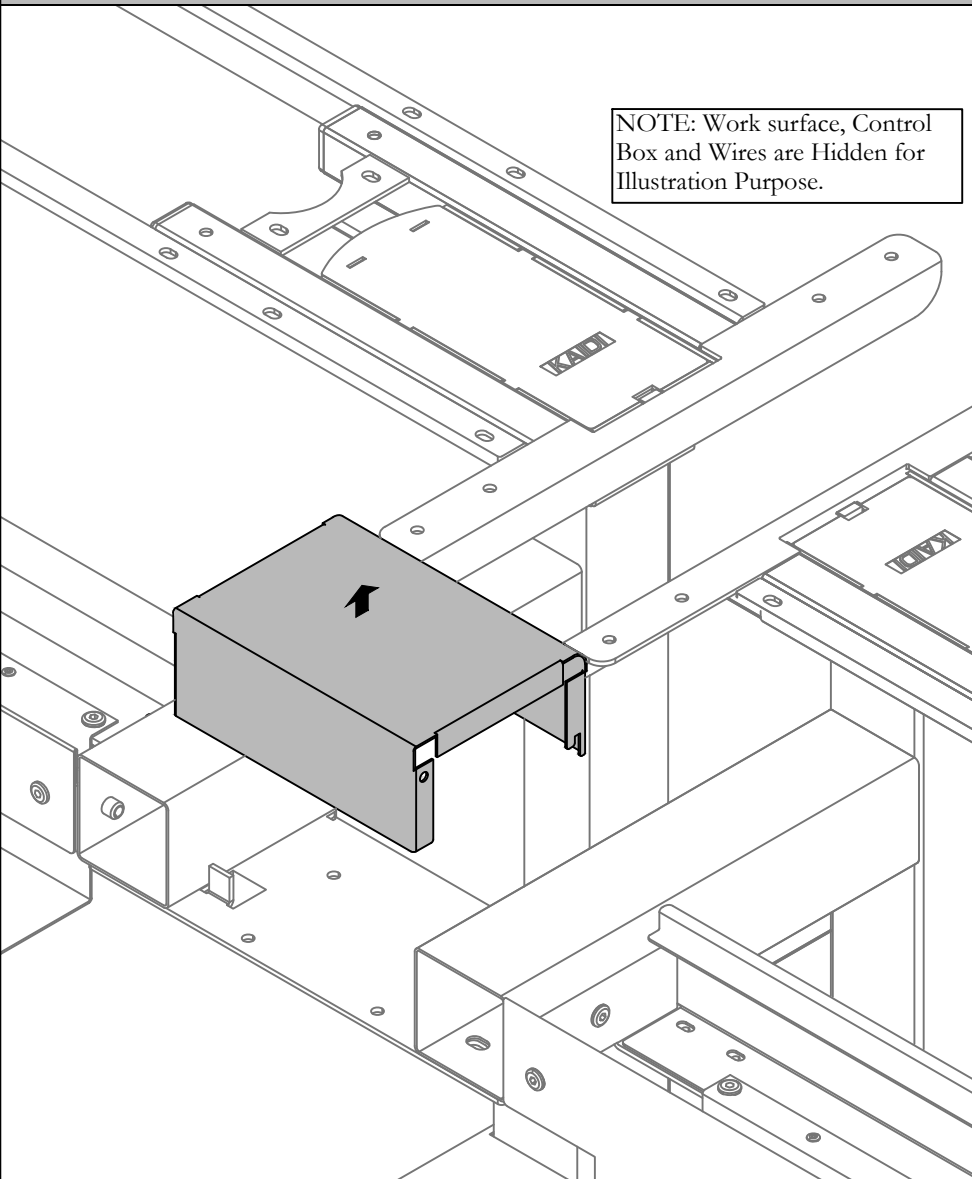


**A5** - 10-32-3/8" Sheet Metal Screw (E07-0084) x 4

Section: **HEIGHT ADJUSTABLE BENCH**  
Description: **SINGLE SIDED CABLE RISER**

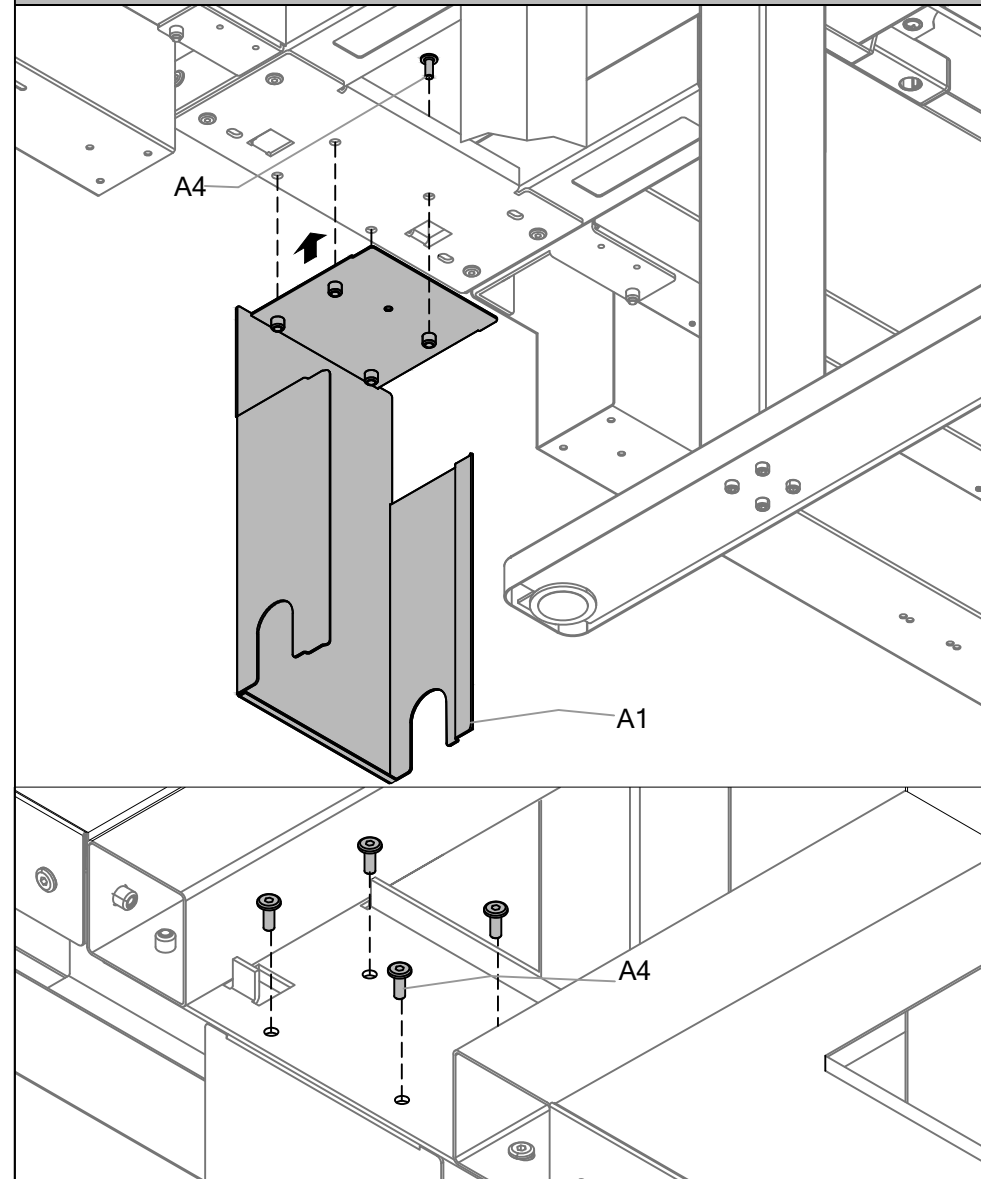
Date: Feb 2022 Page No: 2 of 4  
HABH\_114b

## REMOVE BASE LINK COVER



STEP 1: Remove the Base Link Cover by pulling it upwards.

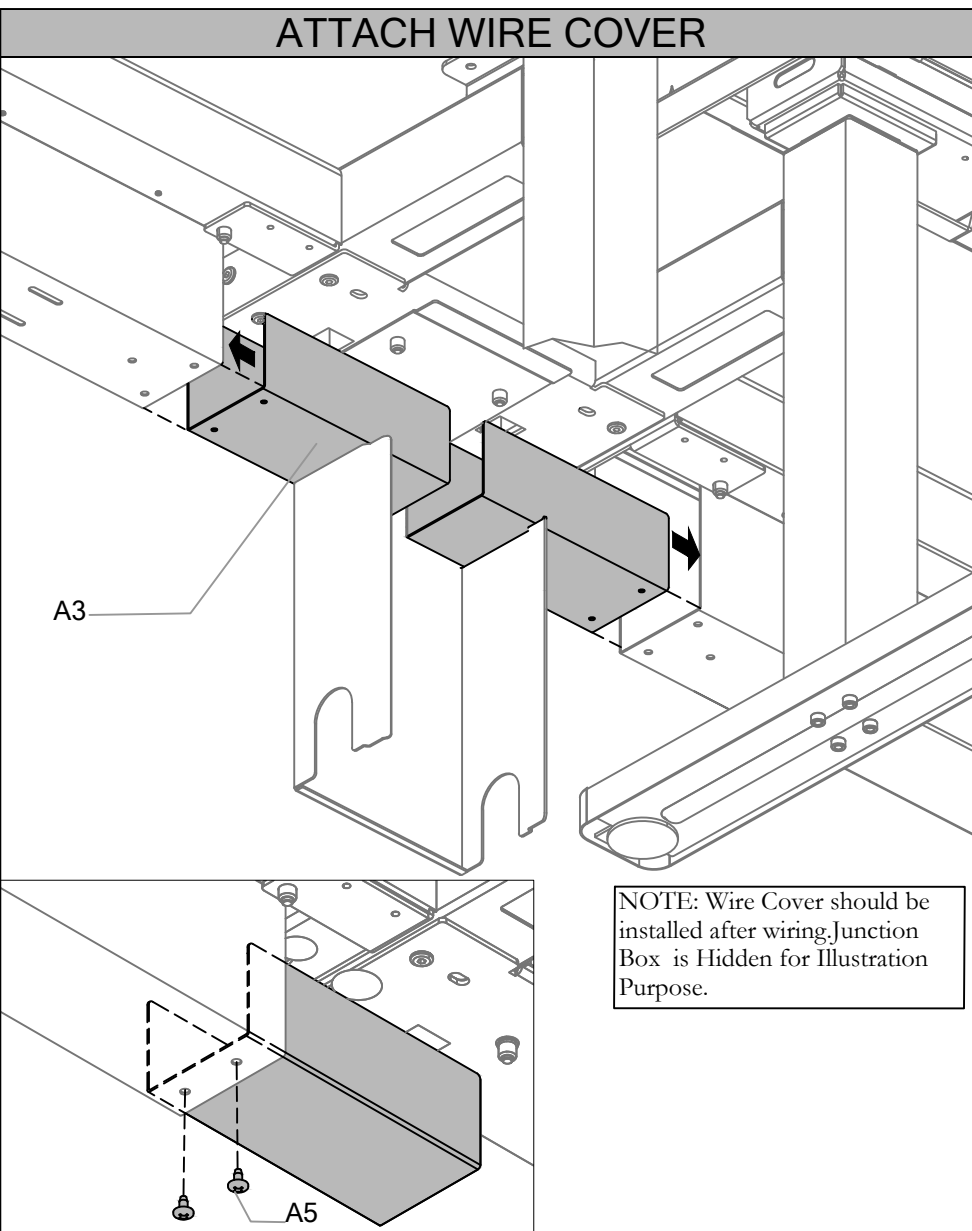
## ATTACH MID CABLE RISER BODY ASSEMBLY



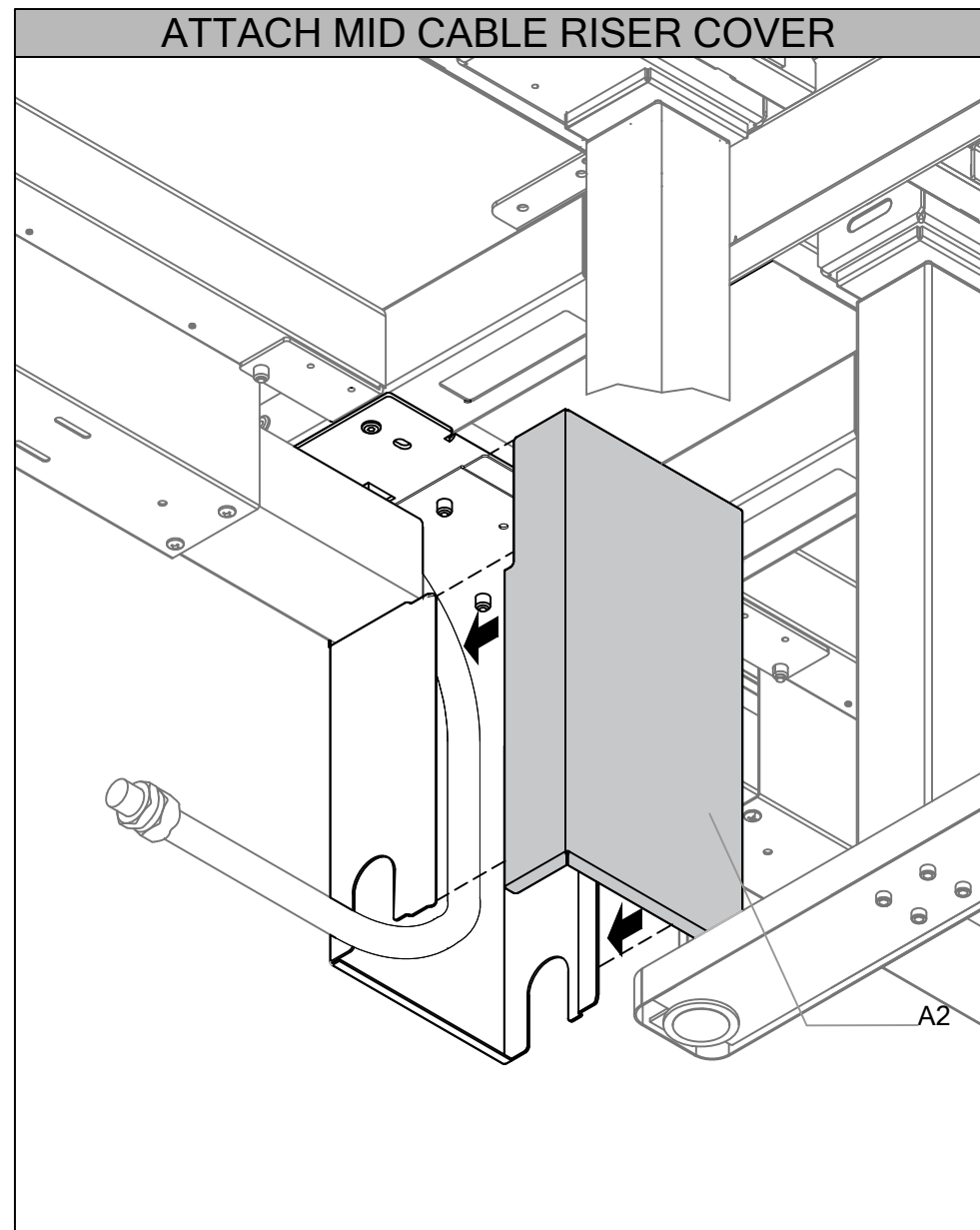
STEP 2: Attach the Mid Cable Riser Body Assembly to the base link bracket from the bottom.  
Secure with fasteners provided

Section: **HEIGHT ADJUSTABLE BENCH**  
Description: **SINGLE SIDED CABLE RISER**

Date: Feb 2022 Page No: 3 of 4  
HABH\_114b



STEP 3: Put Cable cover into Double Sided spine tray and fasten with Screws.



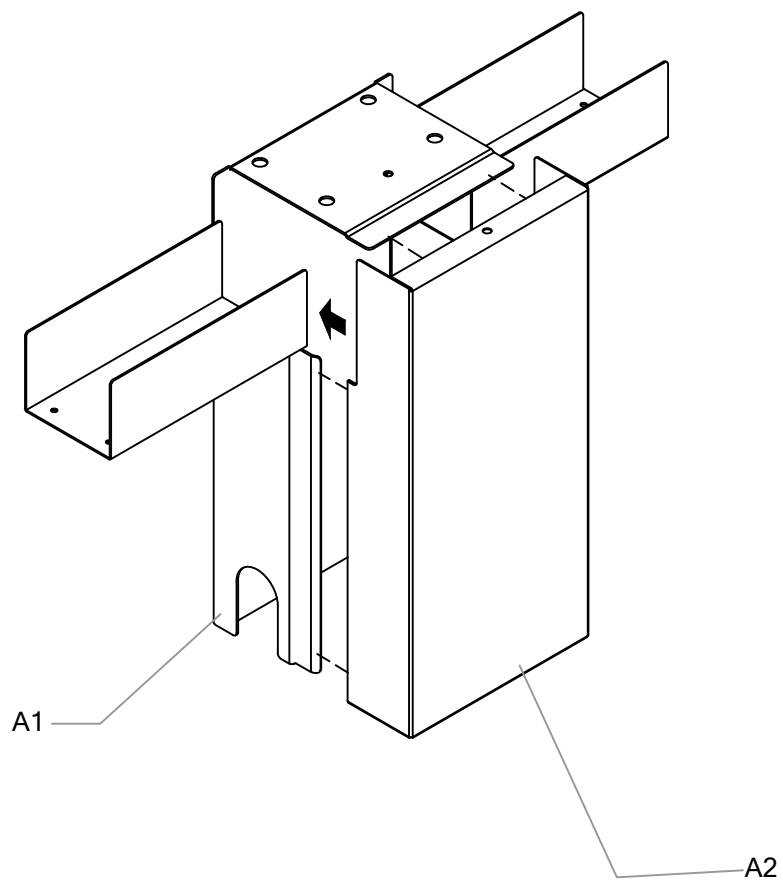
STEP 4: Attach the Single sided Mid Riser Cover.

Section: **HEIGHT ADJUSTABLE BENCH**  
Description: **SINGLE SIDED CABLE RISER**

Date: Feb 2022 Page No: 4 of 4  
HABH\_114b

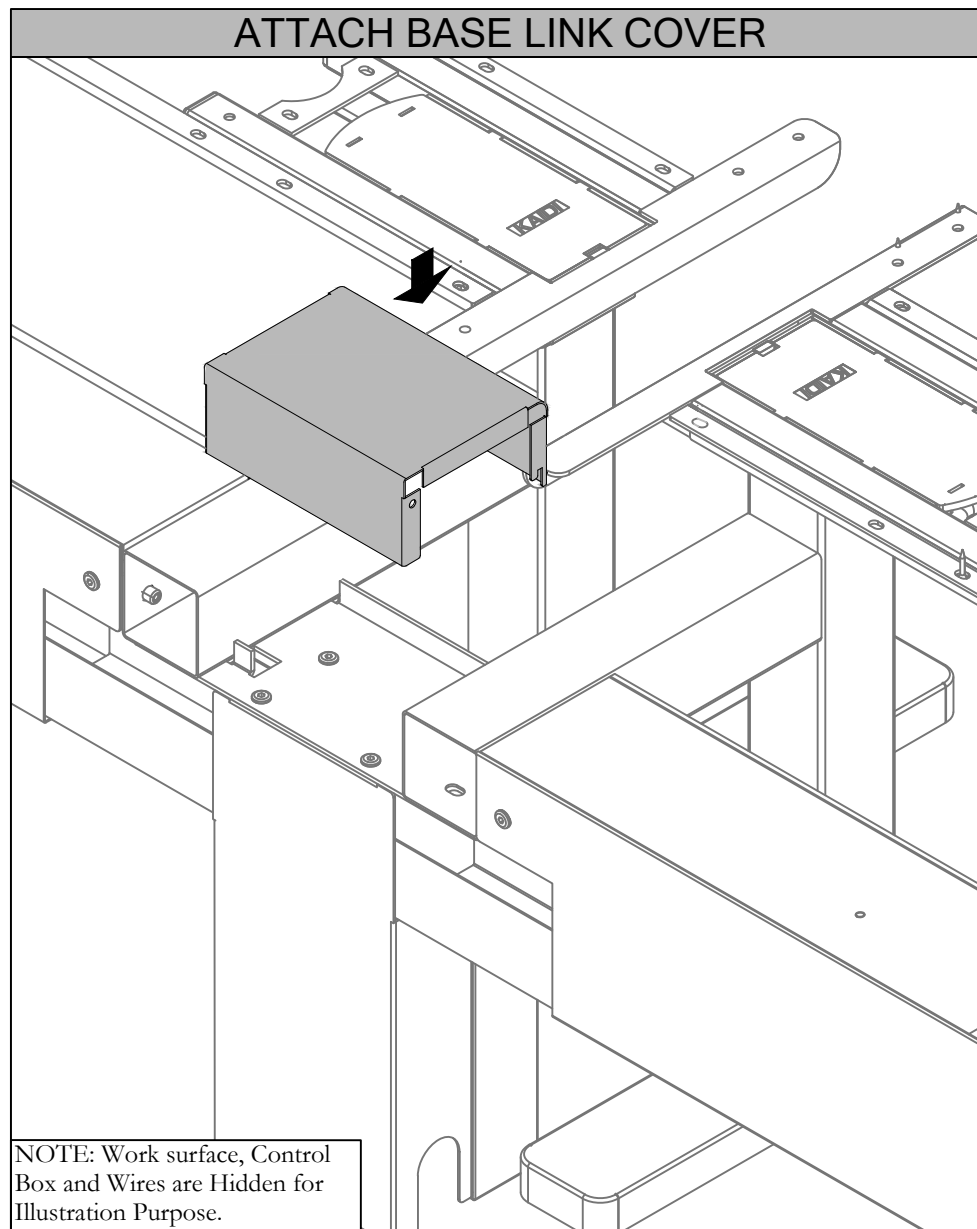
## ATTACH MID CABLE RISER COVER

NOTE: Bench, Worksurface  
Junction Box is Hidden for  
Illustration Purpose.



STEP 5: Attach the Mid Riser Cover on body assembly as shown in the figure.

## ATTACH BASE LINK COVER



NOTE: Work surface, Control  
Box and Wires are Hidden for  
Illustration Purpose.

STEP 6: Put the base link cover back on the bracket.

# height-adjustable bench

Installation Guides

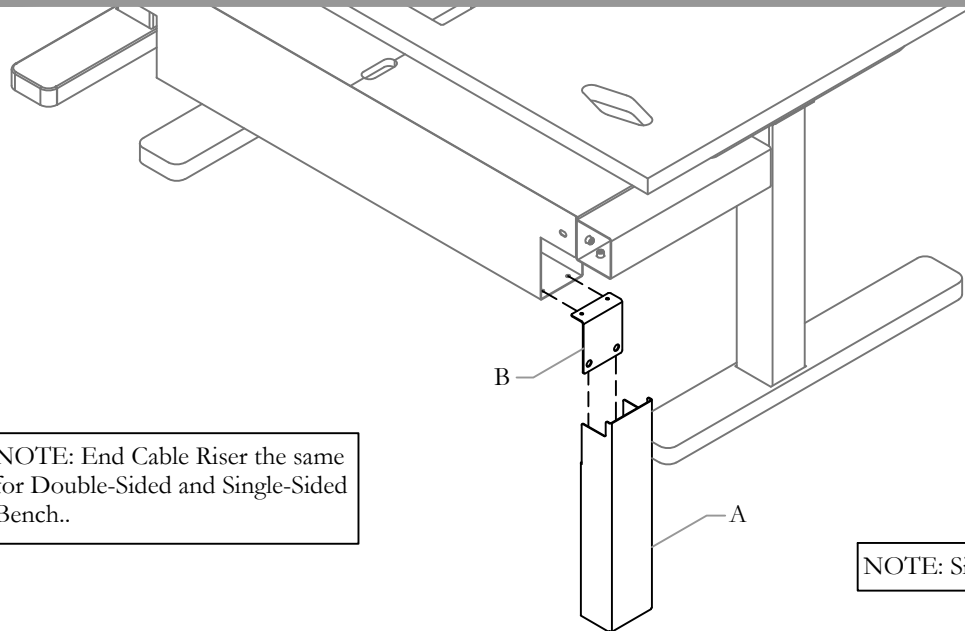
teknion

Section: HEIGHT ADJUSTABLE BENCH

Description: CABLE RISER, END

Date: Sept 2021 Page No: 1 of 4  
HABH\_115 Rev. No: 0

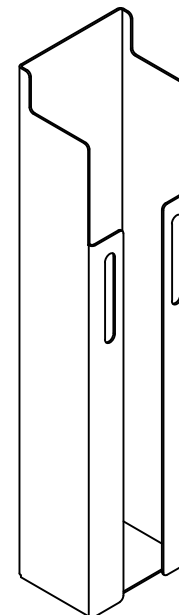
## Cable Riser - End (HWBECE)



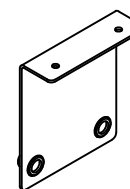
NOTE: End Cable Riser the same for Double-Sided and Single-Sided Bench..

NOTE: Single-Sided Bench.

## Part and Product Identification



**A** - End Cable Riser  
(A16-10207) x1



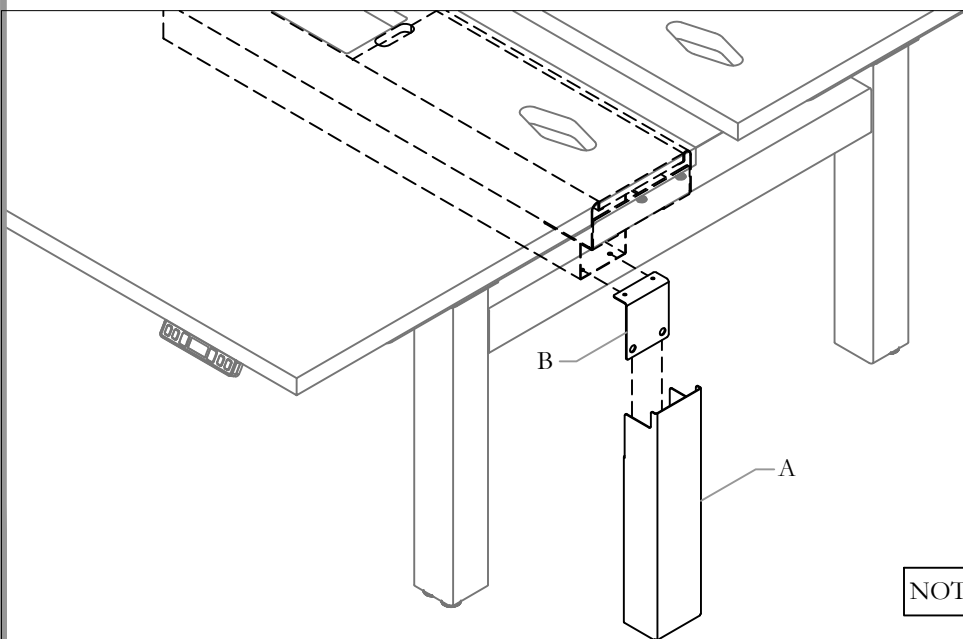
**B** - End Cable Riser Brkt Assy.  
(N01-6091) x1



**C** - 10-32x3/8", Sheet Metal Screw  
(E07-0084) x2



**D** - MK\_M6x1.0x16mm Screw  
(E01-1409) x2



NOTE: Double-Sided Bench.

# height-adjustable bench

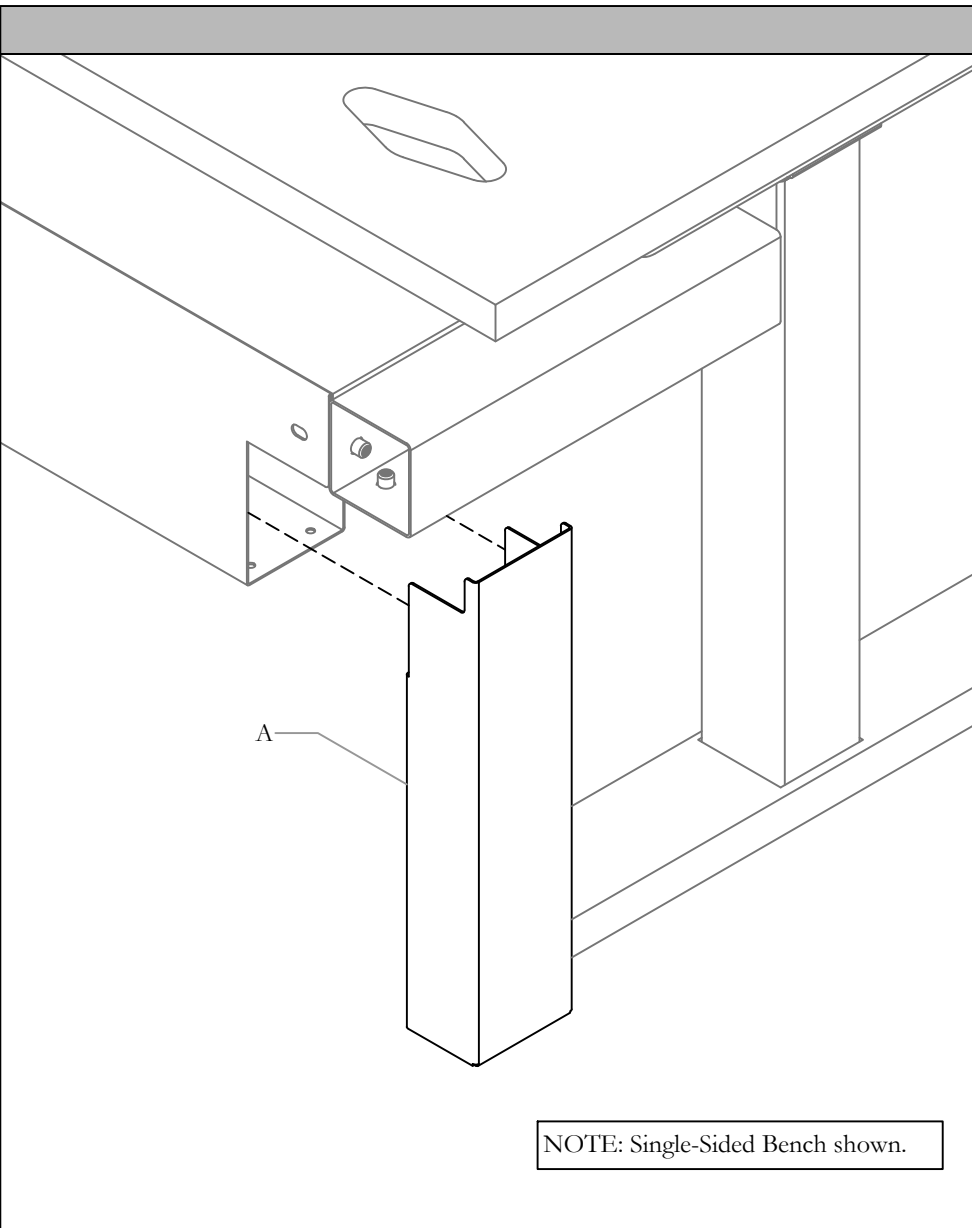
Installation Guides

teknion

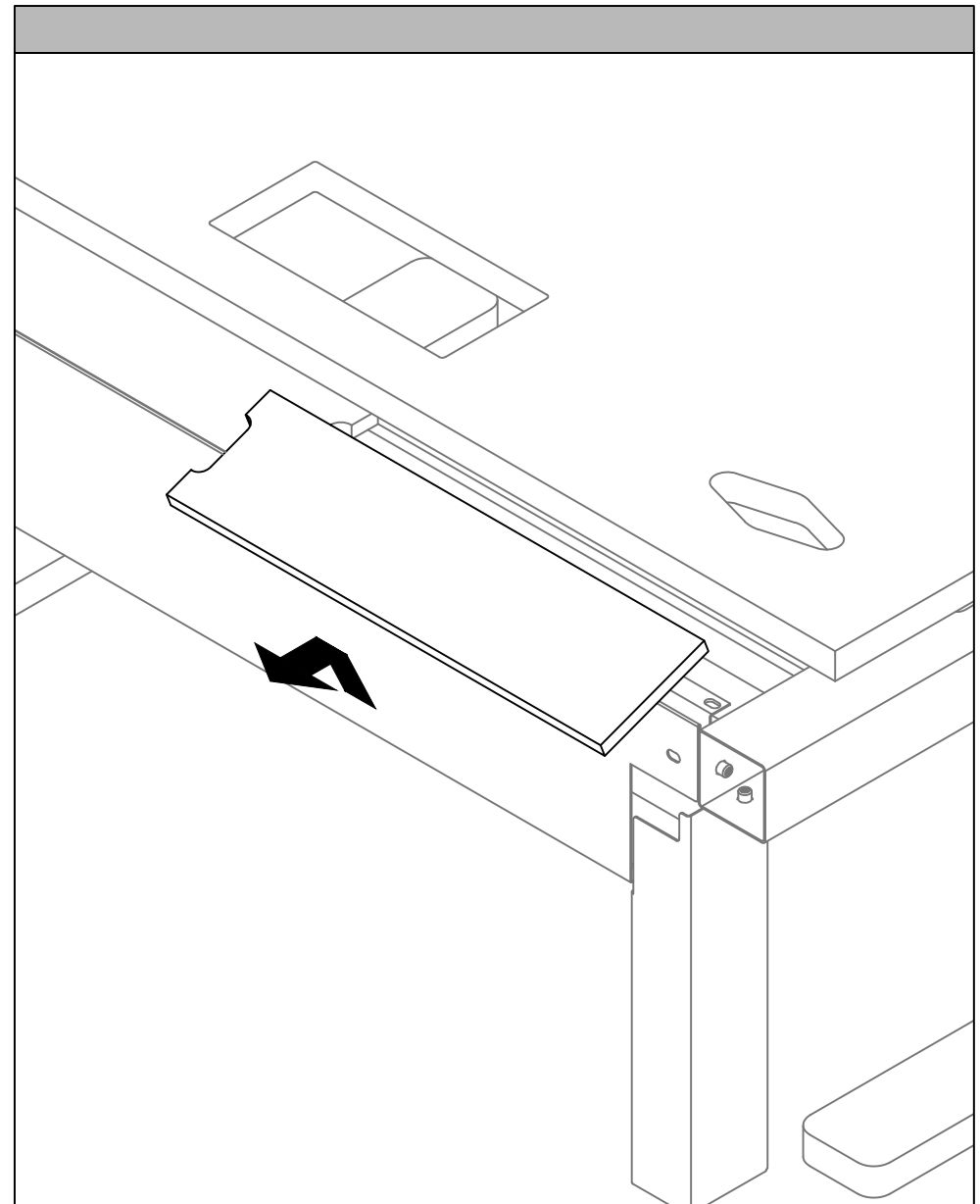
Section: HEIGHT ADJUSTABLE BENCH

Description: CABLE RISER, END

Date: Sept 2021 Page No: 2 of 4  
HABH\_115



STEP 1: Line up End Cable Riser with Spine Tray opening.



STEP 2: Remove Spine Tray Cover.

# height-adjustable bench

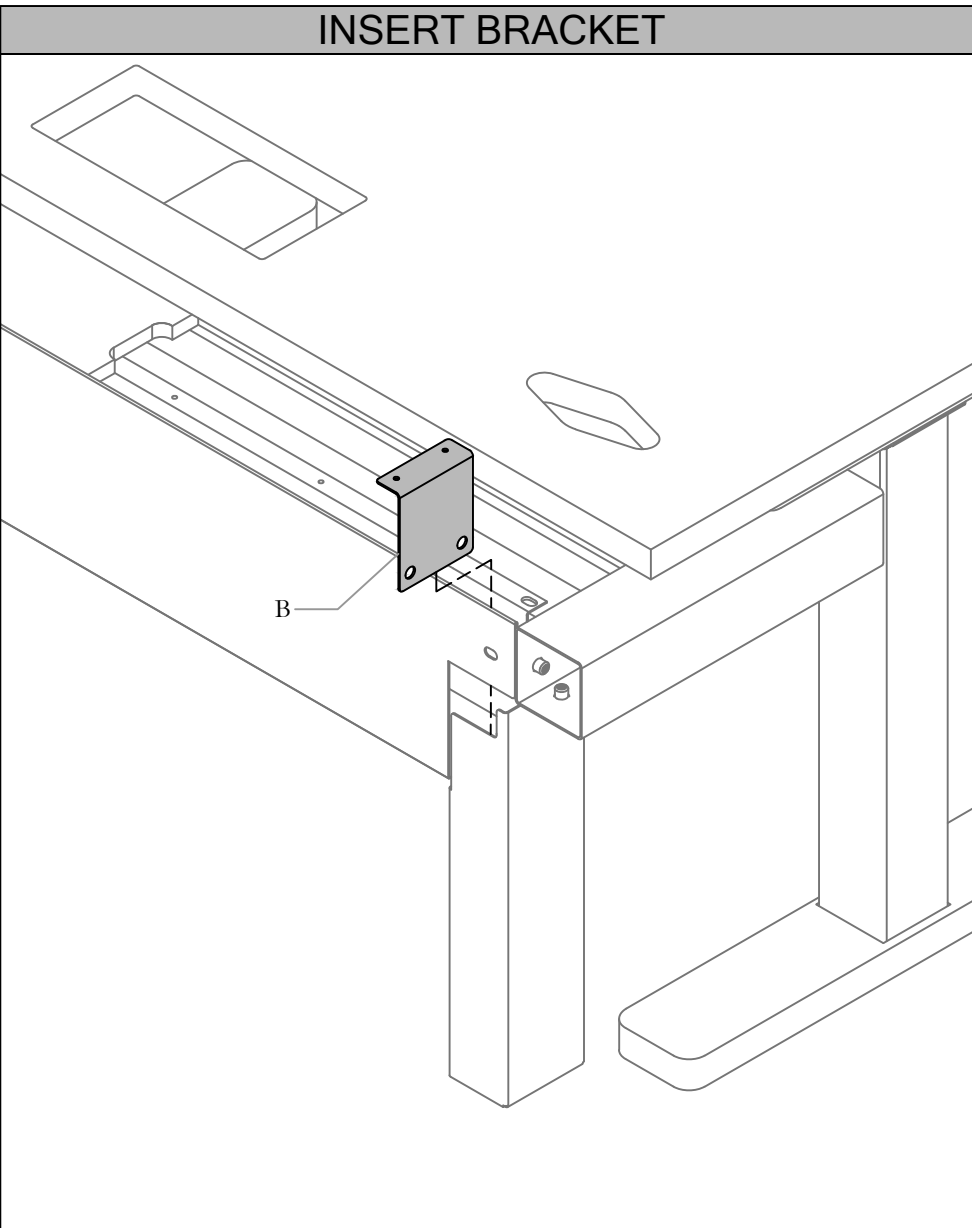
Installation Guides

teknion

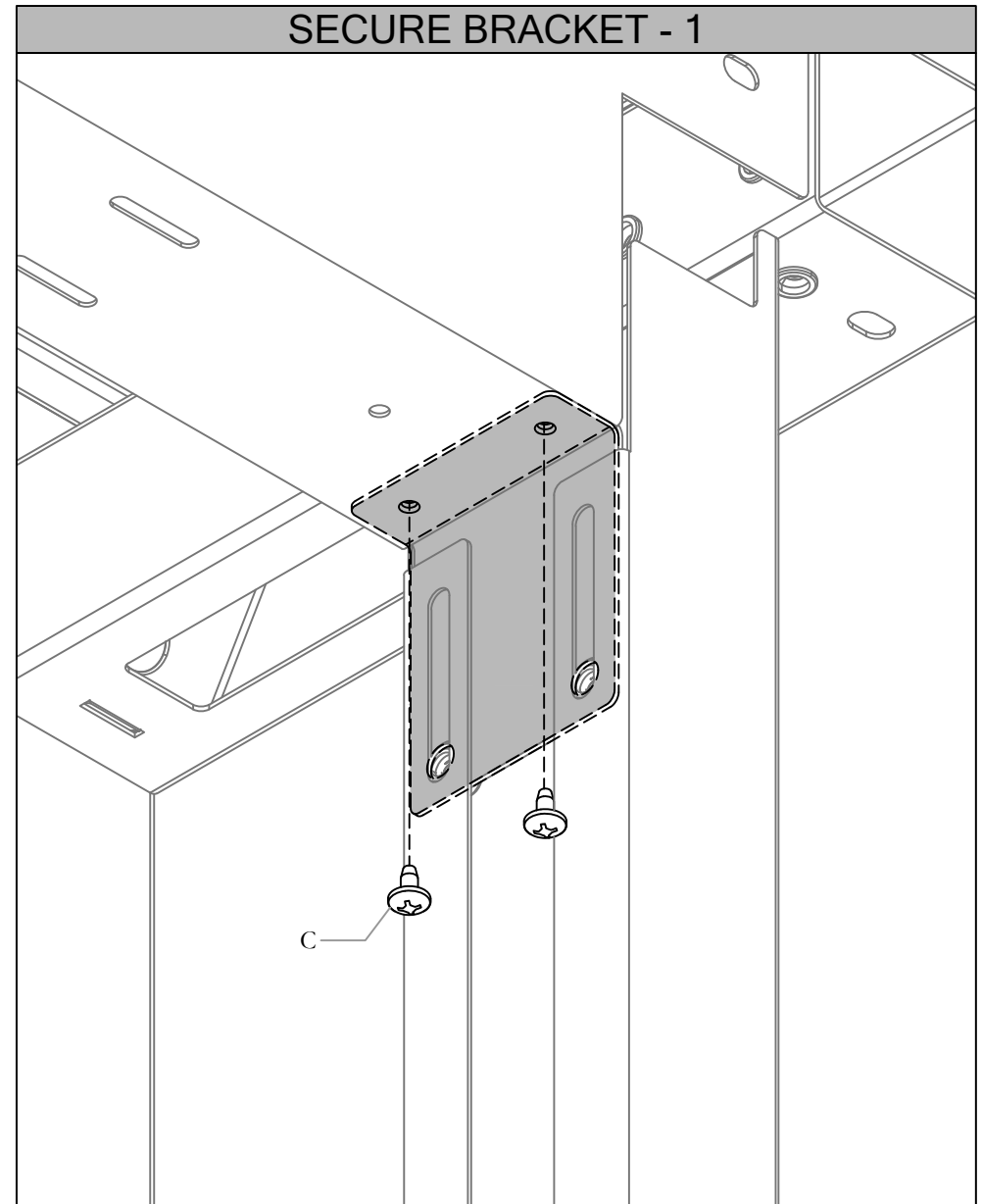
Section: HEIGHT ADJUSTABLE BENCH

Description: CABLE RISER, END

Date: Sept 2021 Page No: 3 of 4  
HABH\_115



STEP 3: Insert Bracket into the Cable Riser and line holes up with Spine Tray.



STEP 4: Secure Bracket to Spine Tray from underside using provided screws.



# height-adjustable bench

Installation Guides

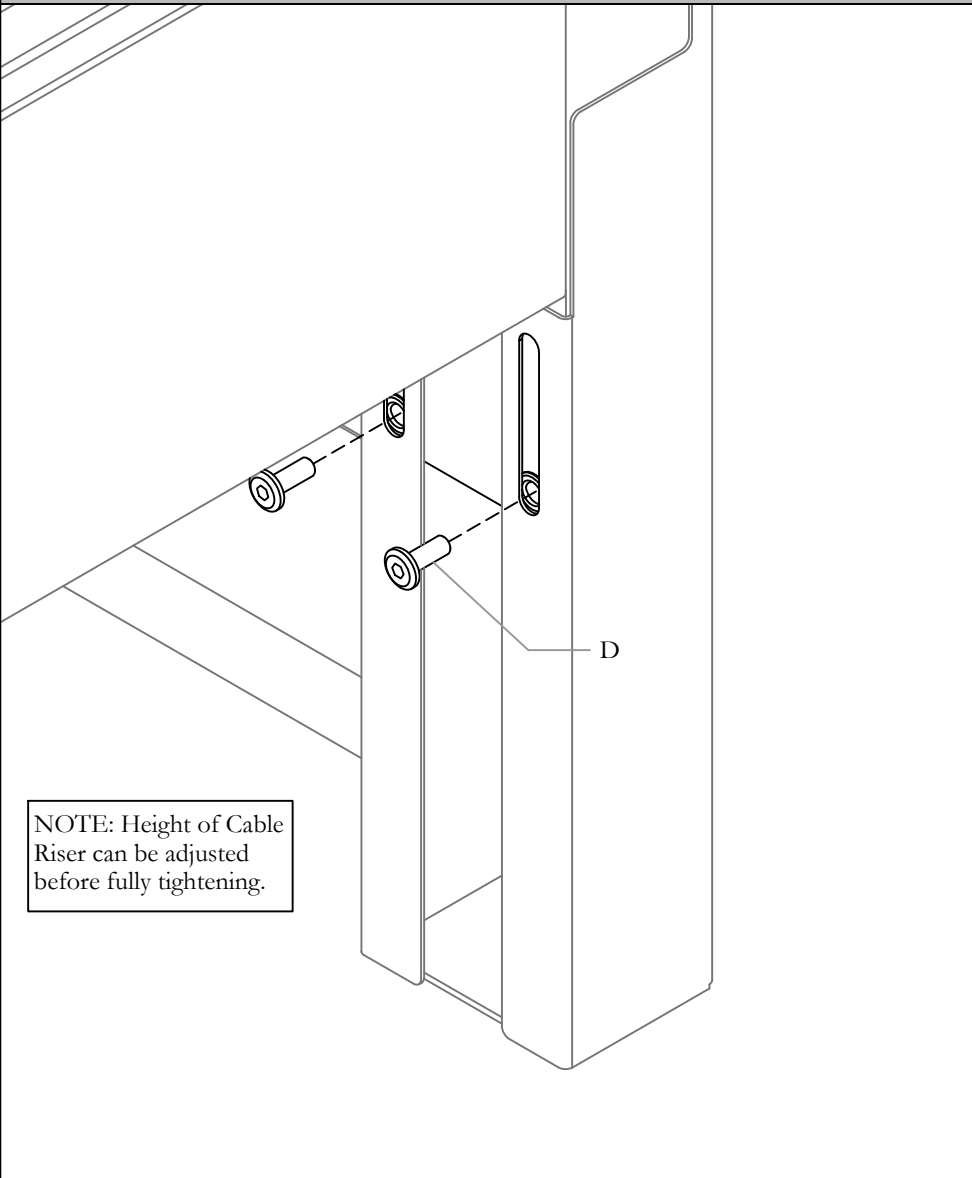
teknion

Section: HEIGHT ADJUSTABLE BENCH

Description: CABLE RISER, END

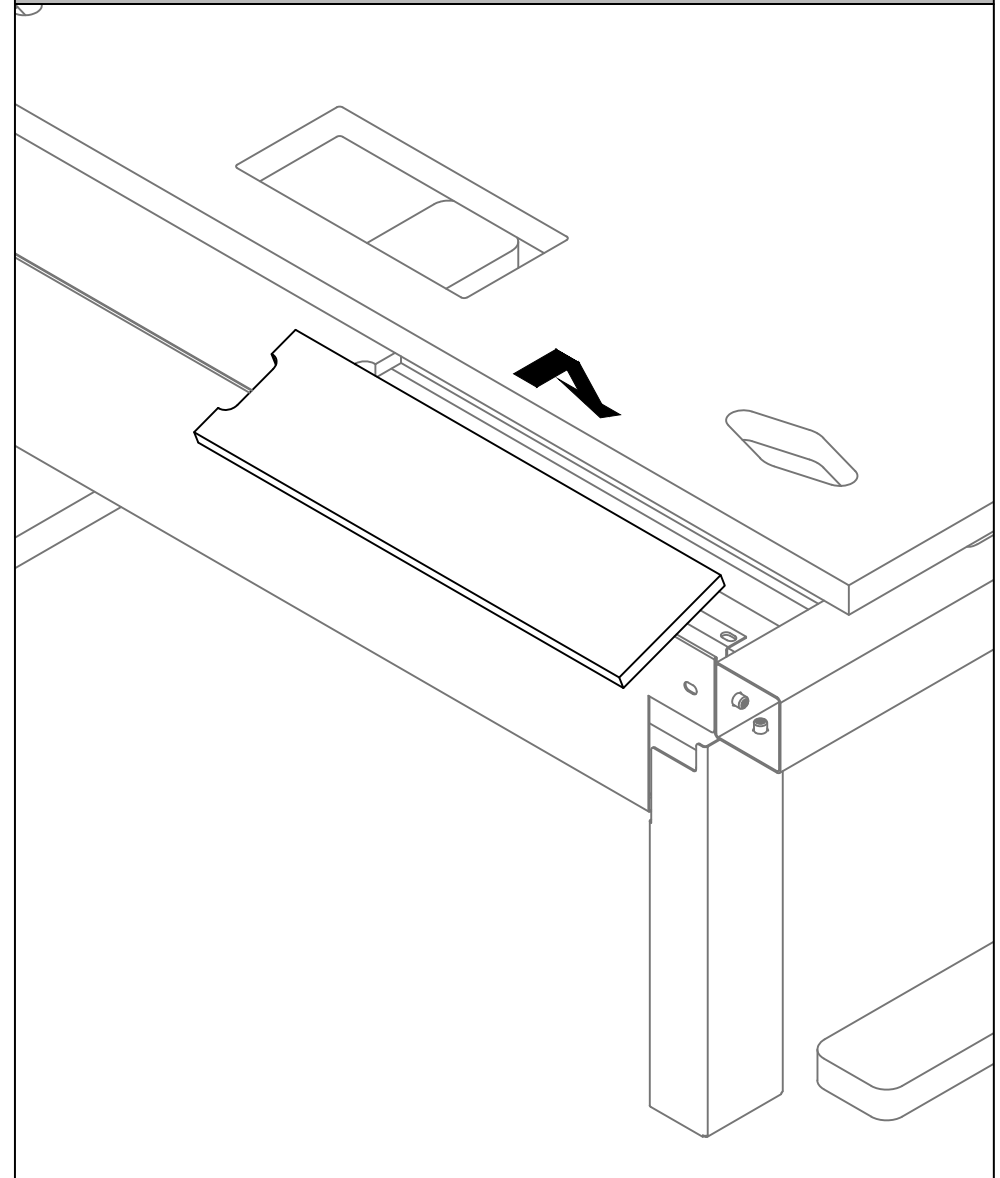
Date: Sept 2021 Page No: 4 of 4  
HABH\_115

## SECURE BRACKET - 2



STEP 5: Secure Bracket to Cable Riser using provided screws.

## PUT BACK TRAY COVER



STEP 6: Place Tray Cover back on Spine Tray.

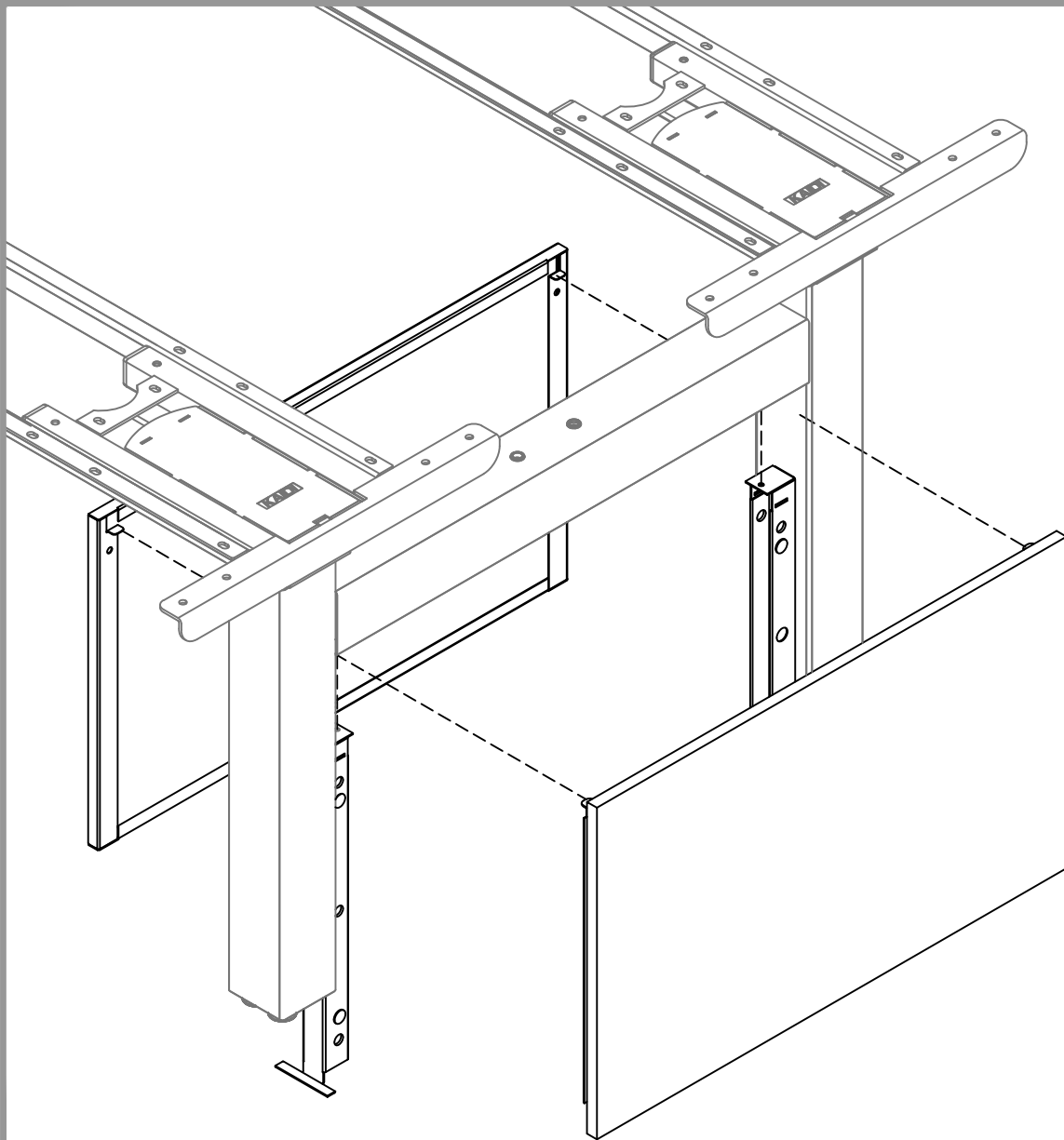
# height adjustable bench *Installation Guides*

Section: **HEIGHT ADJUSTABLE BENCH**  
 Description: **DOUBLE SIDED END GABLE**

teknion

Date: Feb 2022 Page No: 1 of 3  
 HABH\_116 Rev. No: 0

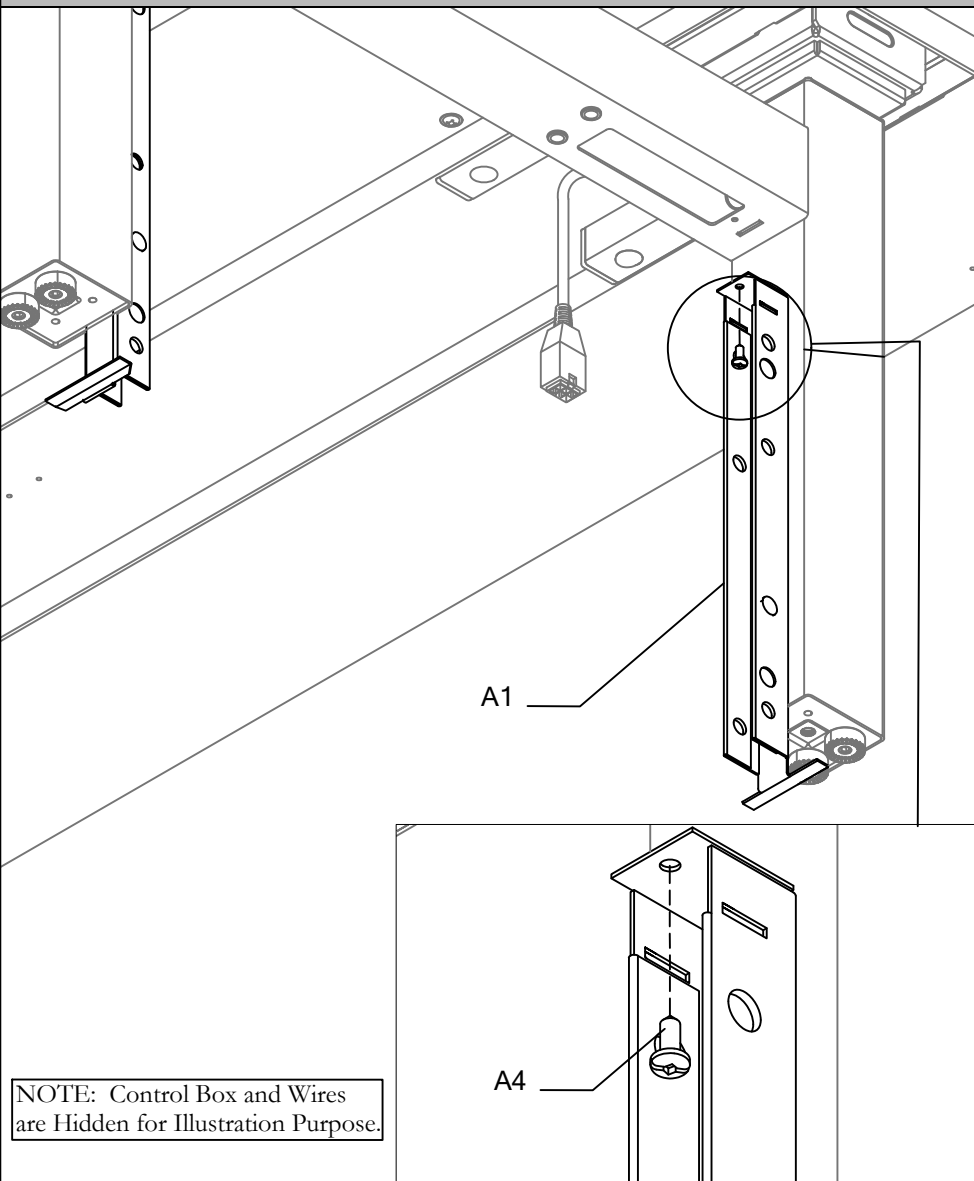
Double-Sided End Gable -(HWBCGE)



Part and Product Identification

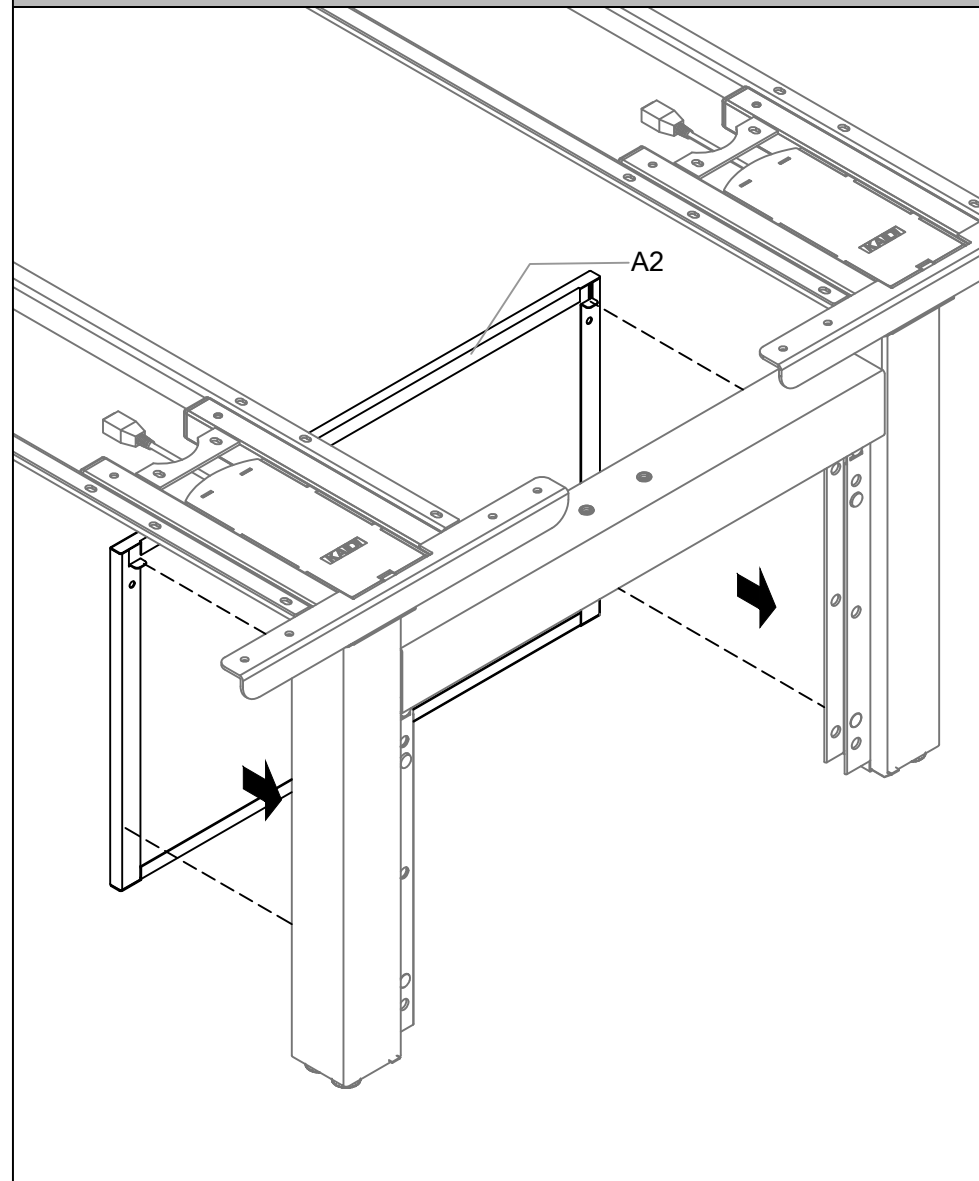
A - Double Sided End Gable (HWBCGE) x1		<b>A1</b> - End Gable Mounting Bracket (A16-9475) x 2
		<b>A2</b> - Pet End Gable Assembly (N01-5046-X) x 1
		<b>A3</b> - End Gable (A16-9476) x 1
		<b>A4</b> - #10 x 1/2" Tap Screw, Quad, Pan (E01-0023) x 2
B - End gable Wood		<b>B1</b> - End Gable Wood (C07-8269-X) x 1
		<b>B2</b> - Hanging Strip (A16-9500) x 2
		<b>B3</b> - #10 x 1/2" L, PH Screw (E07-0189) x 6

## ATTACH MOUNTING BRACKETS



STEP 1: Attach End Gable Mounting Bracket and secure it with fastener.

## ATTACH END GABLE TO MOUNTING BRACKET

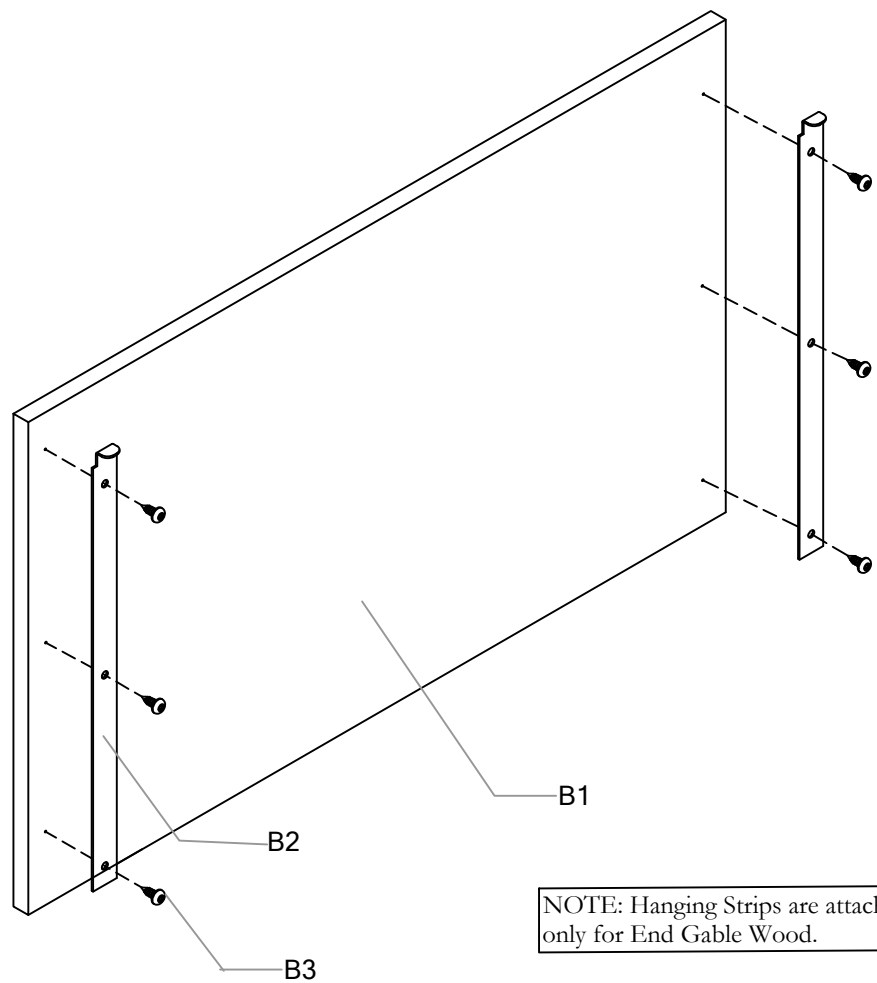


STEP 2: Attach End Gable to the End Gable Mounting Bracket as shown.

Section: **HEIGHT ADJUSTABLE BENCH**  
Description: **DOUBLE SIDED END GABLE**

Date: Feb 2022 Page No: 3 of 3  
HABH\_116

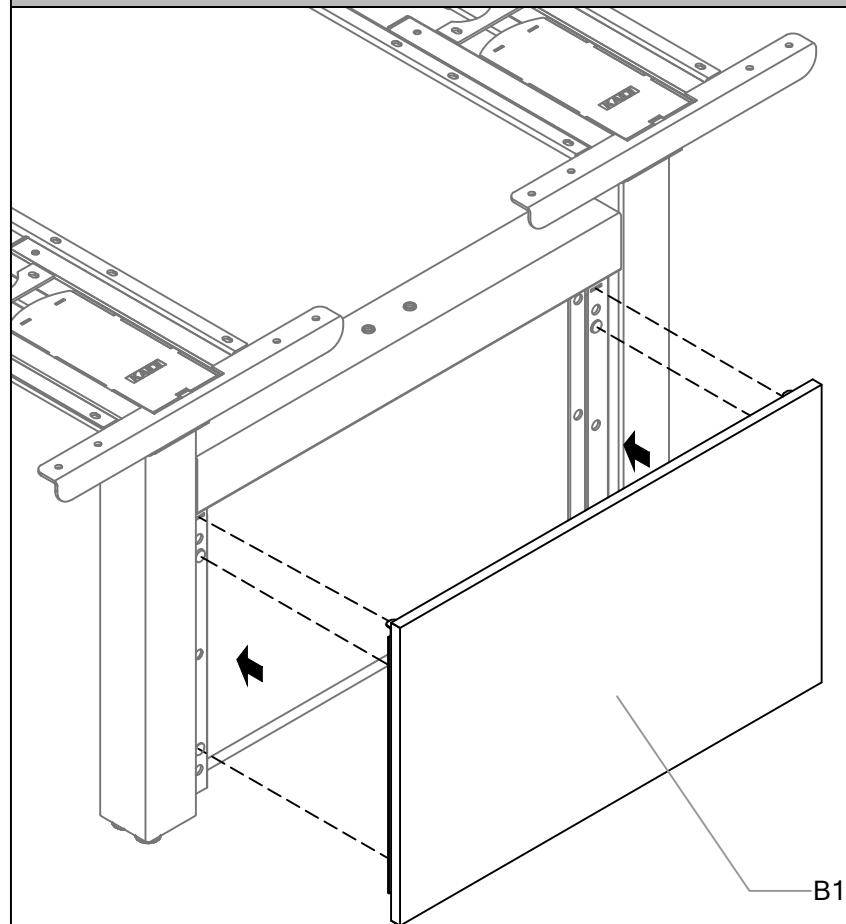
## ATTACH HANGING STRIP



NOTE: Hanging Strips are attached only for End Gable Wood.

STEP 3: Attach Hanging Strips to the End Gable Wood and secure with fasteners.

## ATTACH END GABLE TO BRACKET



STEP 4: Attach End Gable to the End Gable Mounting Bracket as shown.

# height-adjustable bench *Installation Guides*

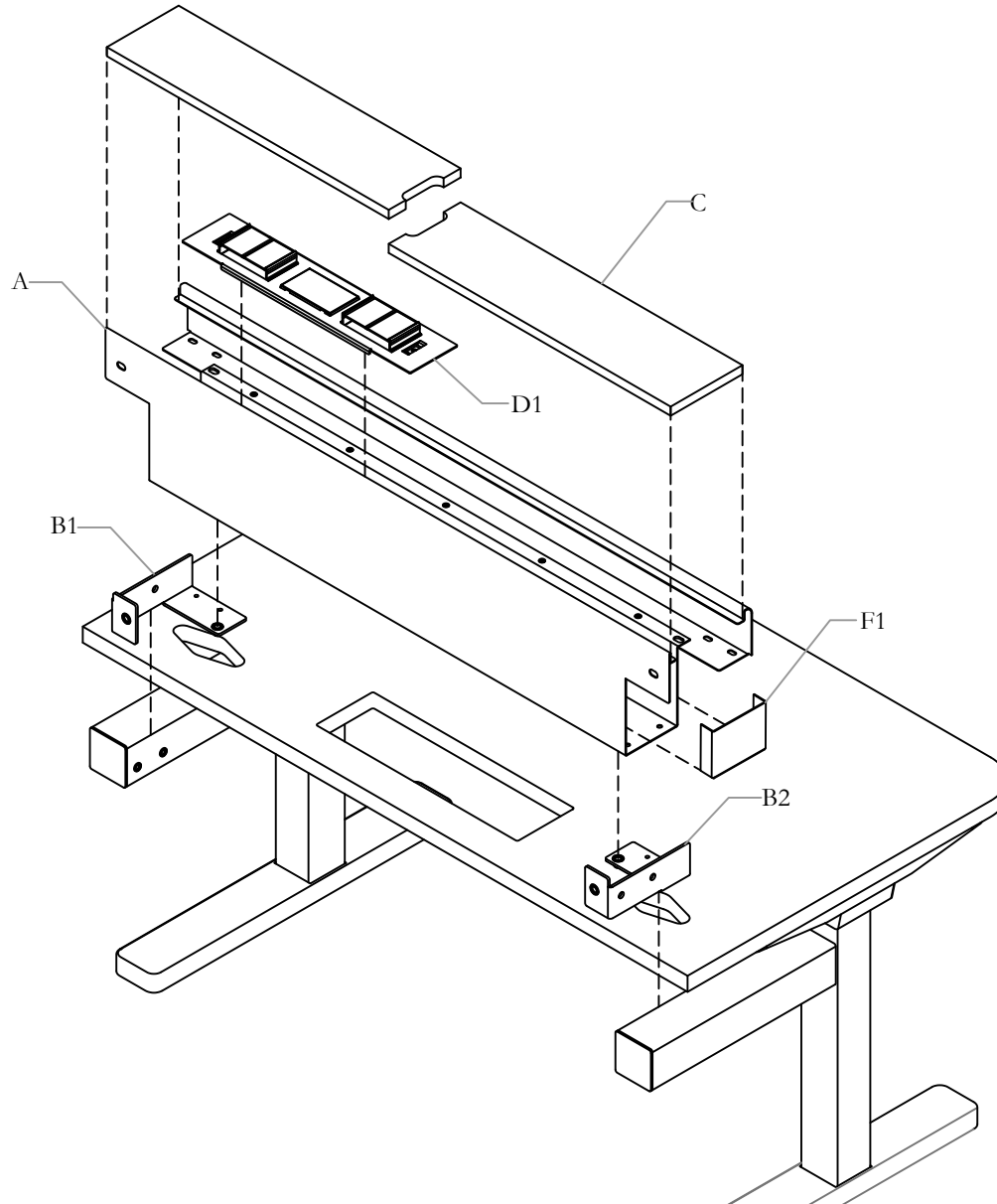
Section: **HEIGHT ADJUSTABLE BENCH**

Description: **SINGLE-SIDED SPINE TRAY**

teknion

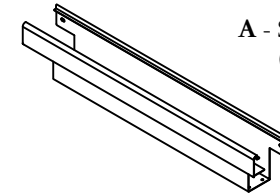
Date: May 2023 Page No: 1 of 5  
HABH\_117 Rev. No: 2

## Single-Sided Spine Tray (HWBFSH) and Spine Tray End Cover(HWBFTC)

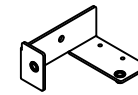


## Part and Product Identification

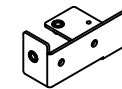
Single-Sided Spine Tray (HWBFSH)



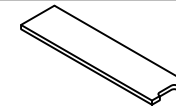
**A** - Spine Cable Tray, SS  
(N01-5569-X) x1



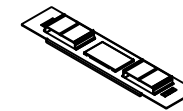
**B1** - Spine Cable Tray  
Mounting Brkt L  
(N01-5174L) x1



**B2** - Spine Cable Tray  
Mounting Brkt R  
(N01-5174R) x1

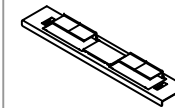


**C** - Spine Tray Cover,  
Smooth Felt, SS  
(F03-0982-X) x2



**D1** - Power Module Cover  
(N01-6120) x1

**OR**

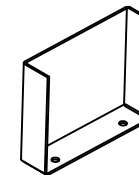


**D2** - Chicago Power  
Module Cover  
(N01-6121) x1



**E** - M6x16mm Screw  
(E01-1409) x8

Spine Tray End Cover  
(HWBFTC)



**F1** - Spine Tray End Cover  
(A16-8731)x1

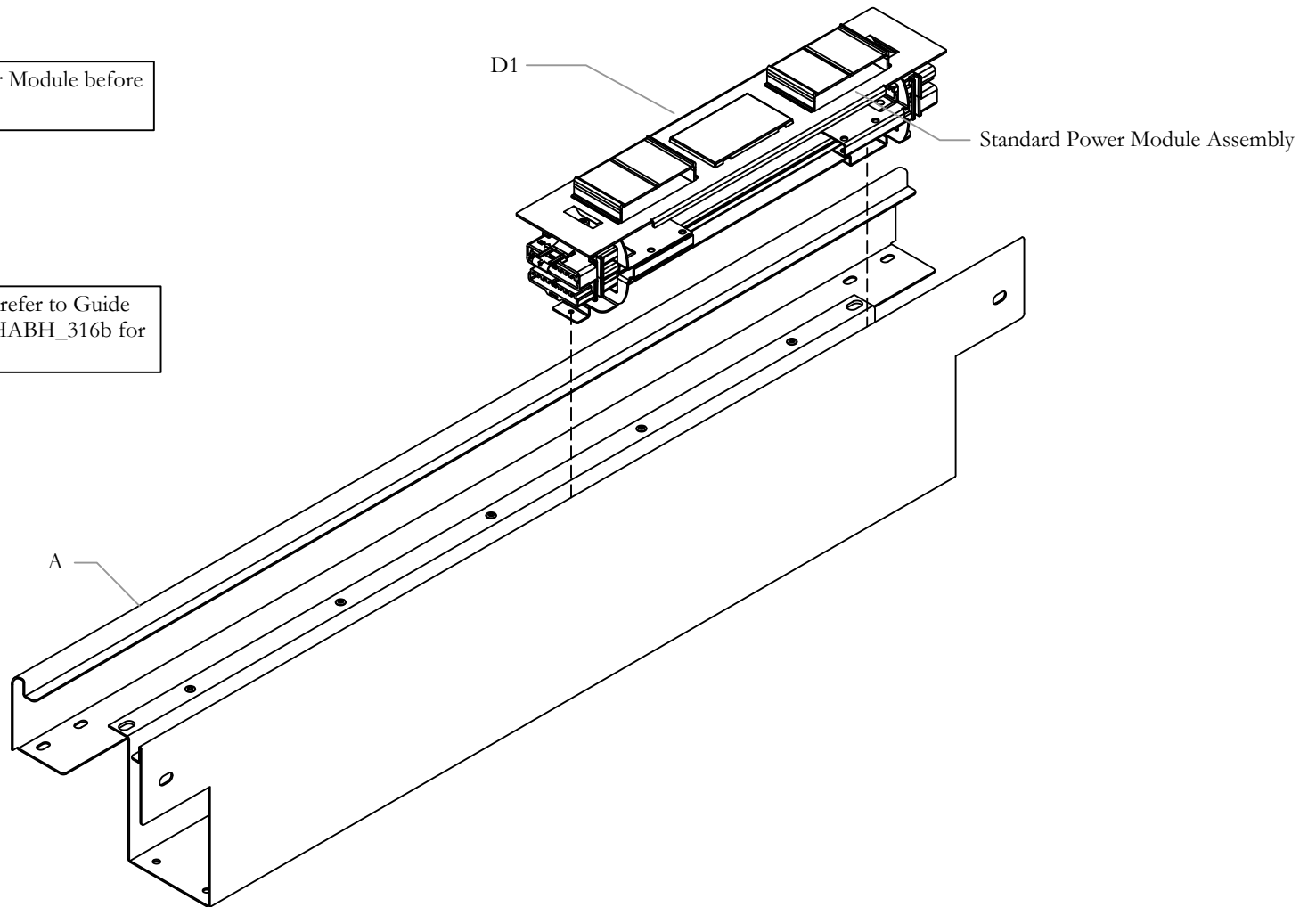


**F2** - 10-32x3/8" Screw  
(E07-0084) x2

## INSTALL POWER MODULE

NOTE: It is recommended to install the Power Module before installing the Spine tray.

NOTE: For Power Module installation please refer to Guide HABH\_316a for Standard Power Module or HABH\_316b for Chicago Power Module



STEP 1: Place the Power Module(s) inside the Spine Tray Assembly. NOTE: Refer to guide HABH\_316a for Standard Power Module or HABH\_316b for Chicago Power Module

# height-adjustable bench *Installation Guides*

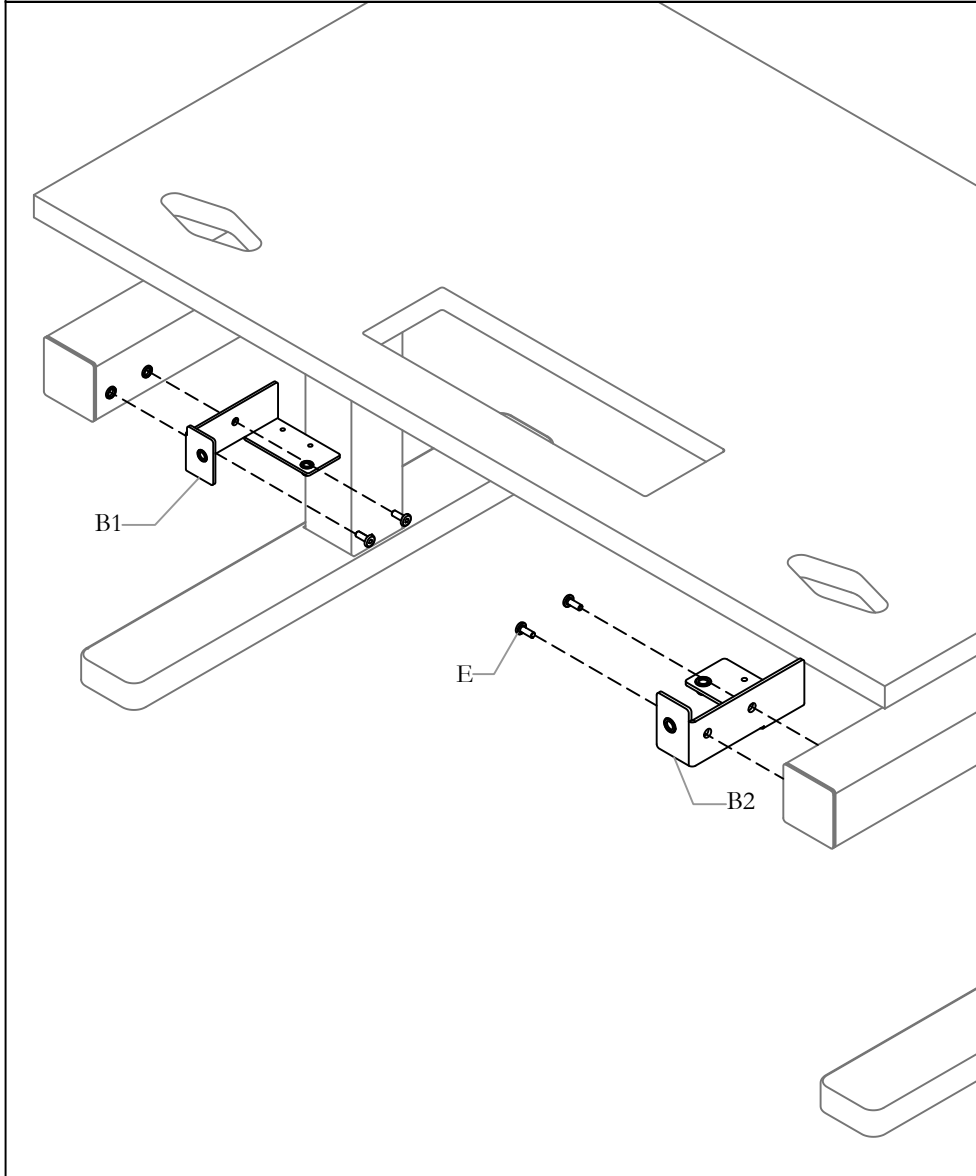
Section: **HEIGHT ADJUSTABLE BENCH**

Description: **SINGLE-SIDED SPINE TRAY**

teknion

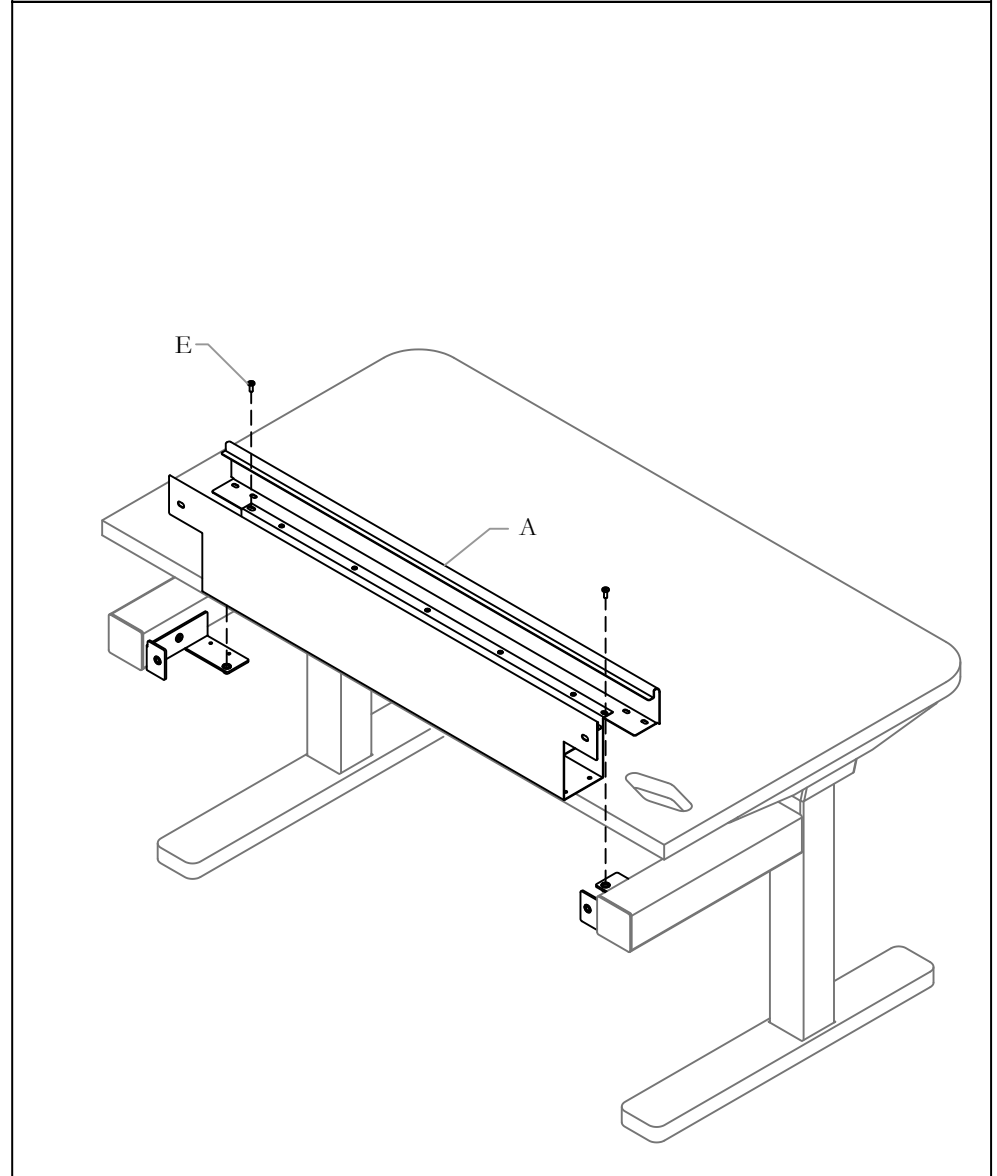
Date: May 2023 Page No: 3 of 5  
HABH\_117

## INSTALL SPINE TRAY MOUNTING BRACKETS



STEP 2: Secure Mounting Brackets to Connecting Tubes using provided screws.

## ATTACH SPINE TRAY ASSEMBLY

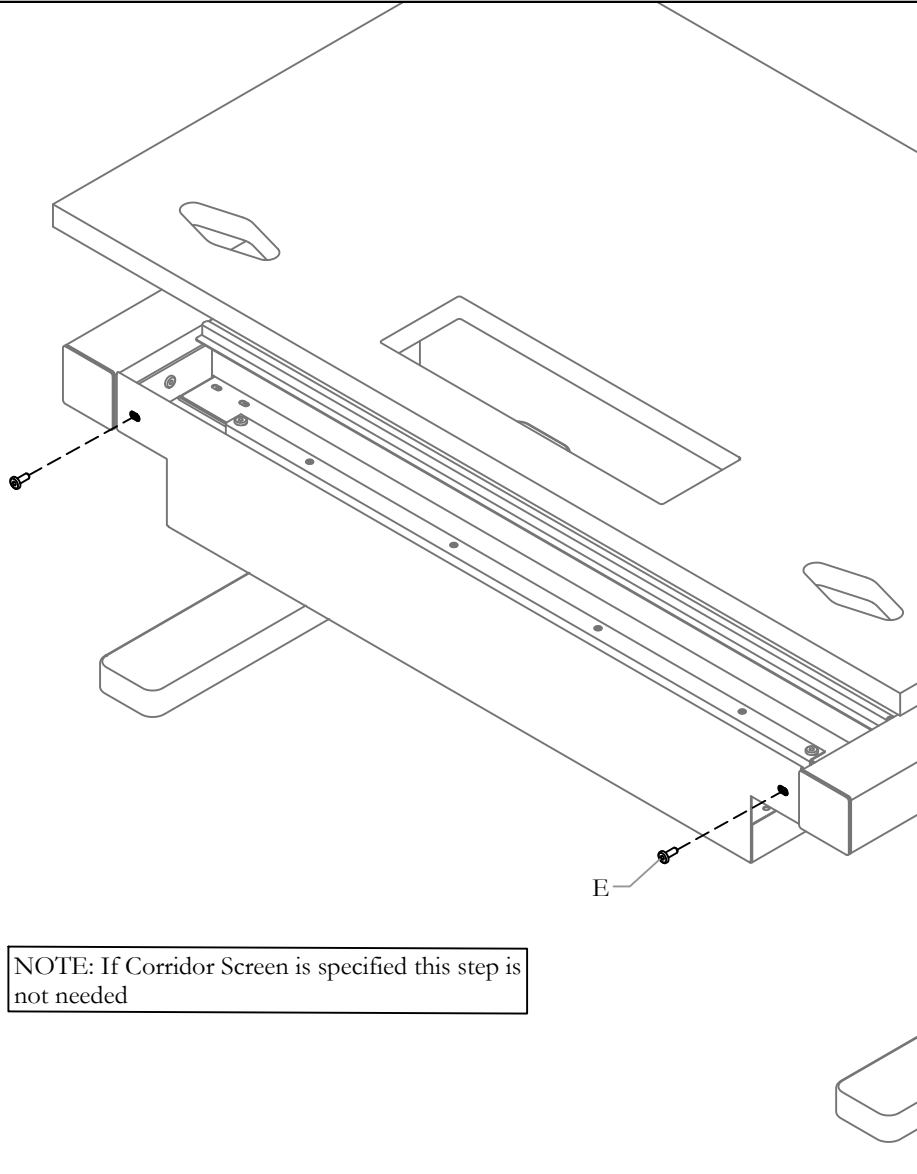


STEP 3: Attach Spine Tray to Brackets using provided screws.

Section: **HEIGHT ADJUSTABLE BENCH**  
Description: **SINGLE-SIDED SPINE TRAY**

Date: May 2023 Page No: 4 of 5  
HABH\_117

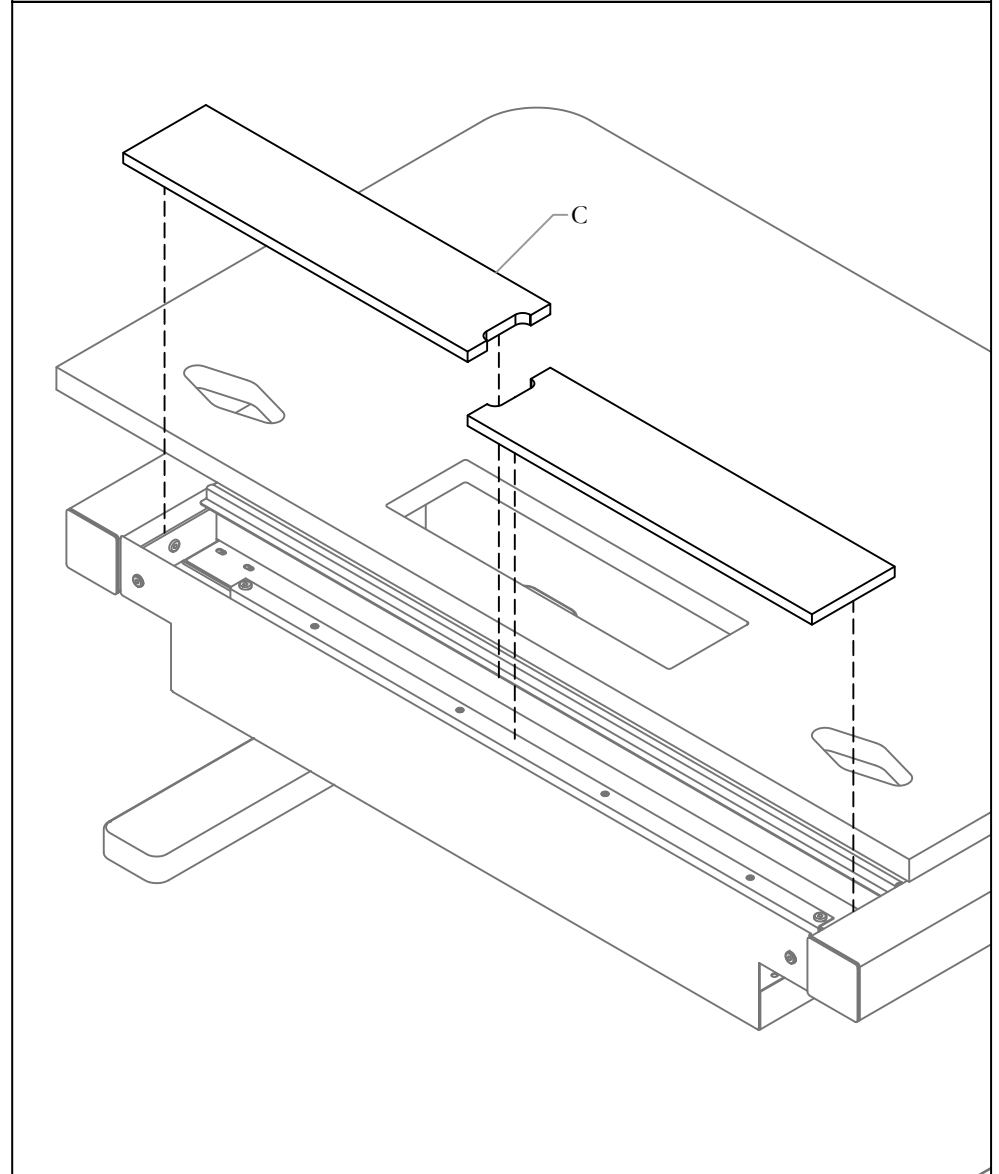
## SECURE SPINE TRAY



NOTE: If Corridor Screen is specified this step is not needed

STEP 4: Secure Spine Tray to Mounting Bracket using Provided Screws.

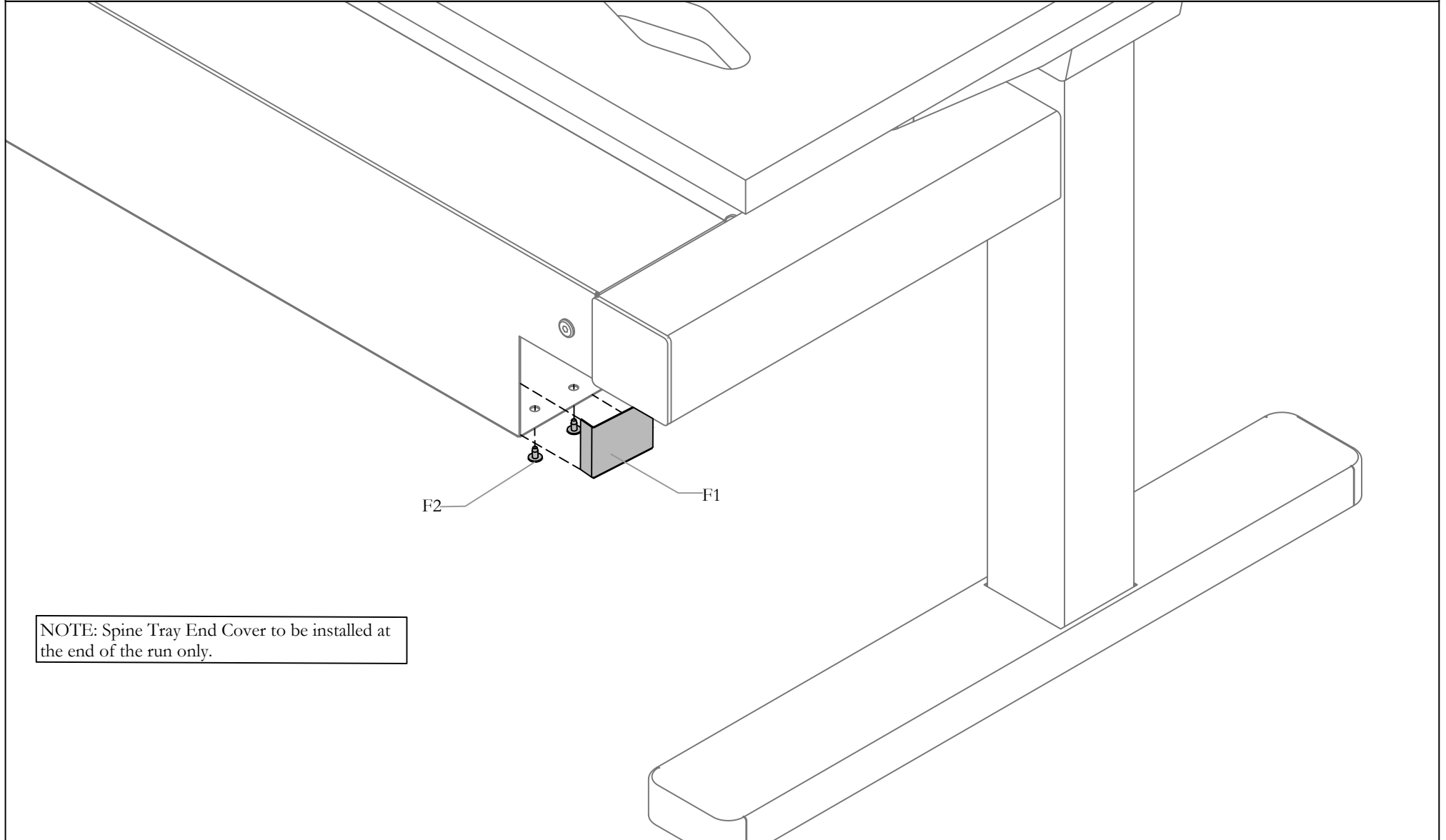
## PLACE SPINE TRAY COVERS



STEP 5: Attach the Spine Tray Covers onto the Tray.



**ATTACH SPINE TRAY END COVER**



NOTE: Spine Tray End Cover to be installed at the end of the run only.

STEP 6: Attach Spine Tray End cover to the bench and secure it with fasteners as shown.

# height-adjustable bench *Installation Guides*

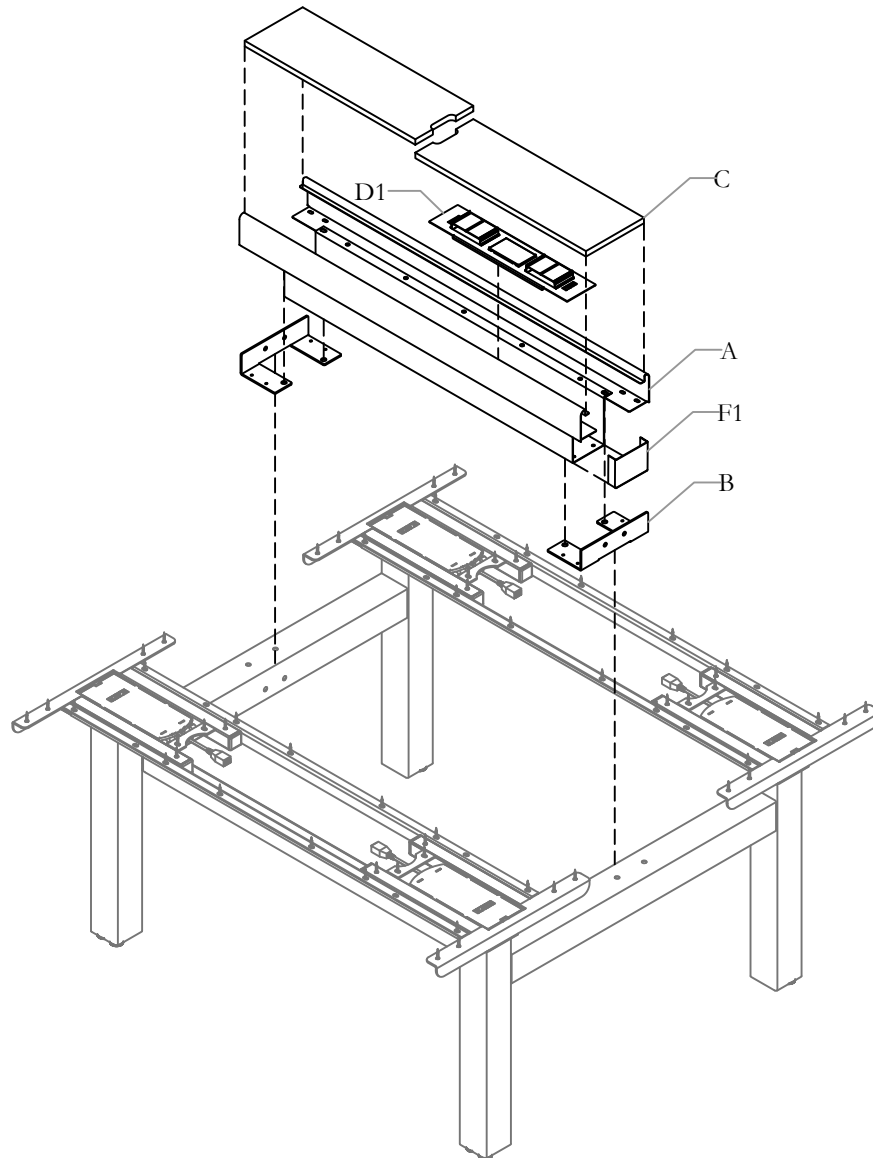
Section: **HEIGHT ADJUSTABLE BENCH**

Description: **DOUBLE-SIDED SPINE TRAY**

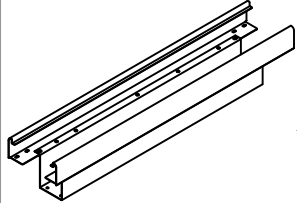
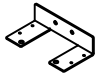
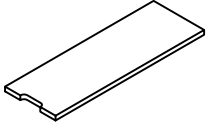
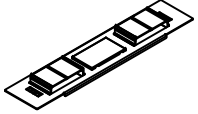
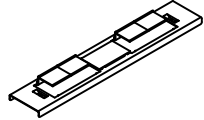

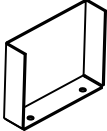

teknion

Date: May 2023 Page No: 1 of 6  
HABH\_118 Rev. No: 2

## Double-Sided Spine Tray (HWBFTH) and Spine Tray End Cover (HWBFTC)



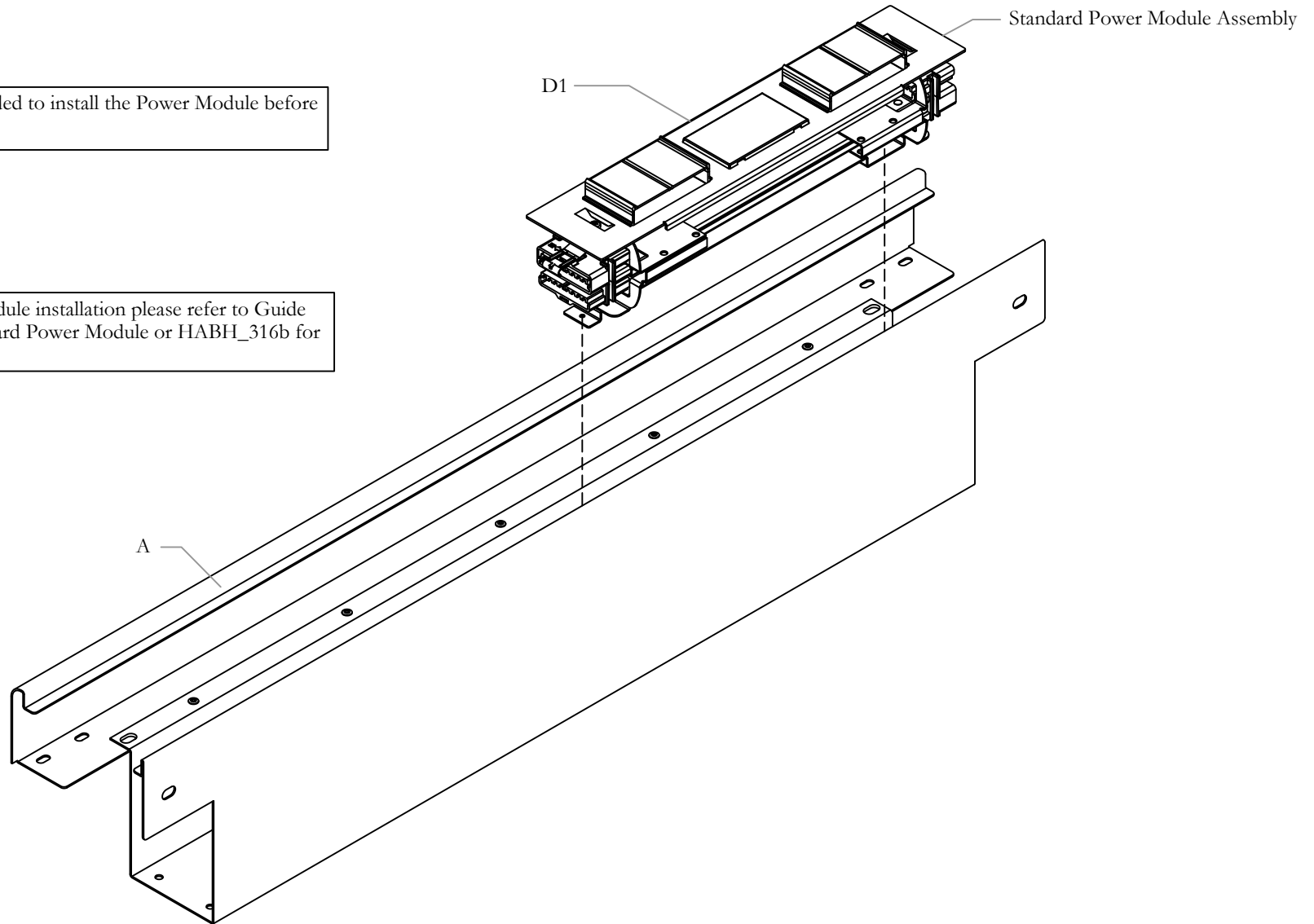
## Part and Product Identification

Double-Sided Spine Tray (HWBFTH)		<b>A</b> - Spine Tray Assm. (N01-4375-X) x1
		<b>B</b> - Spine Cable Tray Mounting Brkt. DS (N01-4845) x2
		<b>C</b> - Spine Tray Cover, Smooth Felt. DS (F03-0972-X) x2
		<b>D1</b> - Power Module Cover (N01-6120) x1 <b>OR</b>
		<b>D2</b> - Chicago Power Module Cover (N01-6121) x1
		<b>E</b> - M6x16mm Screw (E01-1409) x8
Spine Tray End Cover (HWBFTC)		<b>F1</b> - Spine Tray End Cover (A16-8731)x1
		<b>F2</b> - 10-32x3/8" Screw (E07-0084) x2

**INSTALL POWER MODULE**

NOTE: It is recommended to install the Power Module before installing the Spine tray.

NOTE: For Power Module installation please refer to Guide HABH\_316a for Standard Power Module or HABH\_316b for Chicago Power Module

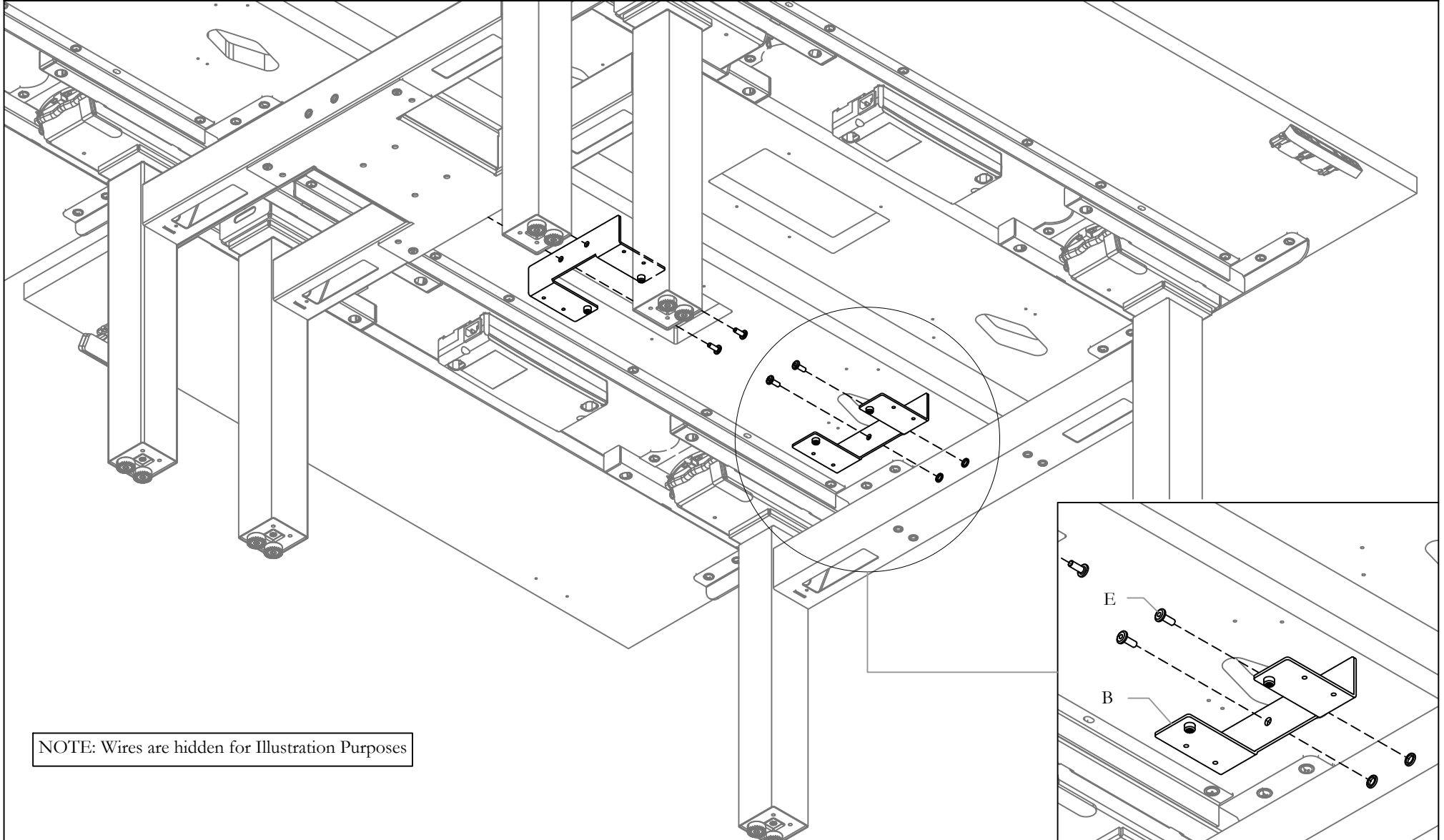


STEP 1: Place the Power Module(s) inside the Spine Tray Assembly. NOTE: Refer to guide HABH\_316a for Standard Power Module or HABH\_316b for Chicago Power Module

Section: **HEIGHT ADJUSTABLE BENCH**  
Description: **DOUBLE-SIDED SPINE TRAY**

Date: May 2023 Page No: 3 of 6  
HABH\_118

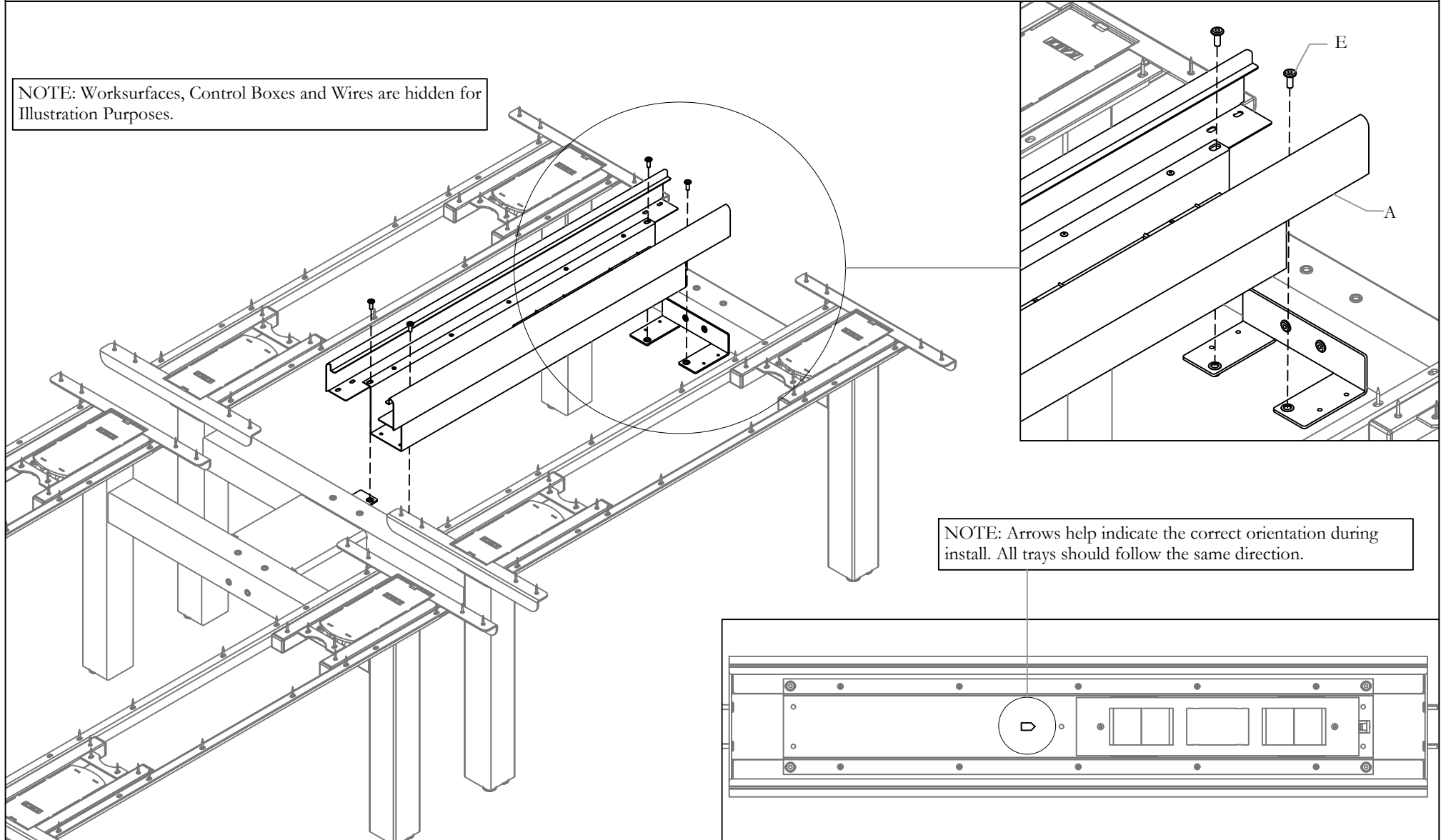
## SECURE MOUNTING BRACKETS



STEP 2: Attach Mounting Brackets to the Connecting tubes of the Frame and Secure with provided screws,

## ATTACH SPINE TRAY ASSEMBLY

NOTE: Worksurfaces, Control Boxes and Wires are hidden for Illustration Purposes.



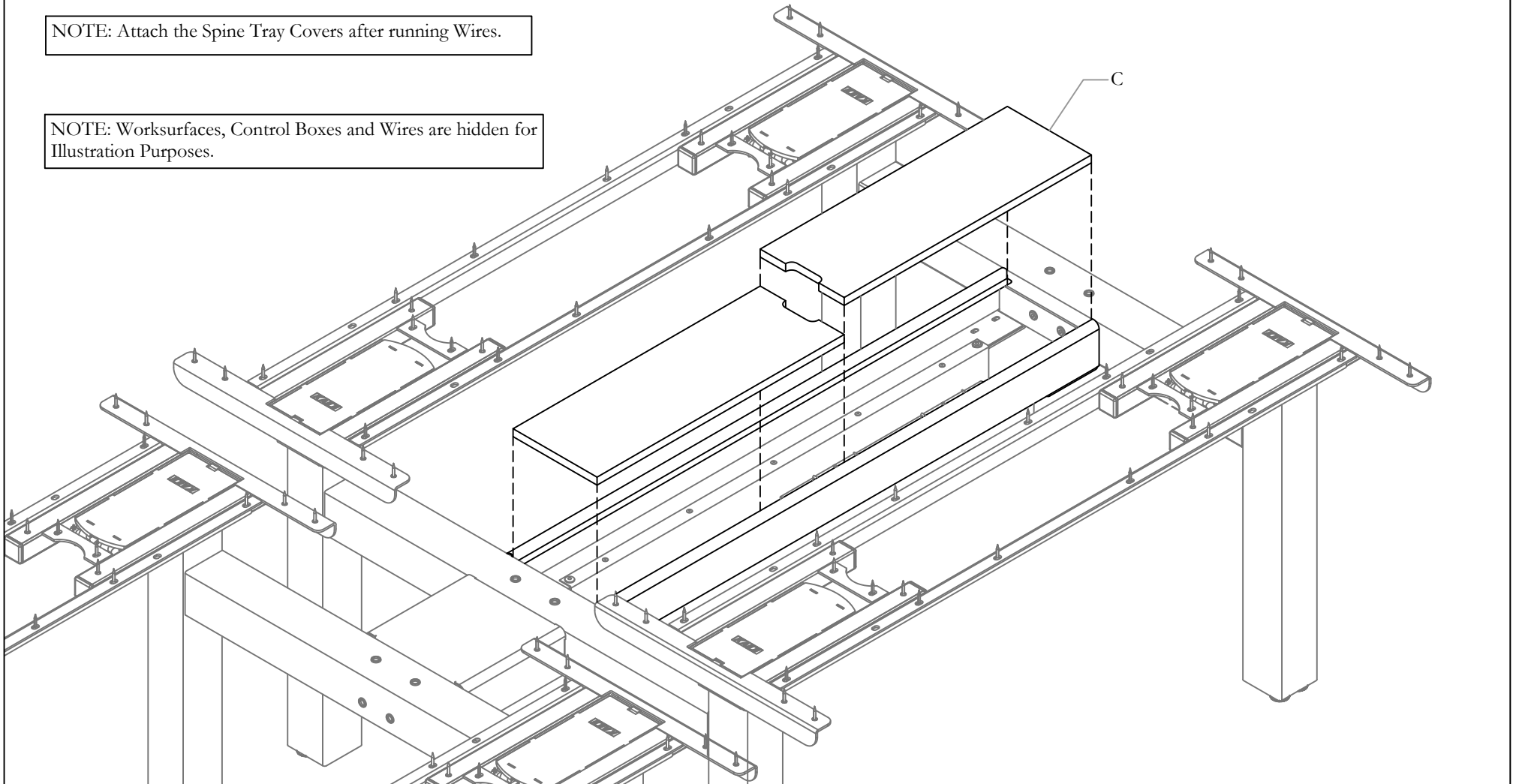
NOTE: Arrows help indicate the correct orientation during install. All trays should follow the same direction.

STEP 3: Attach Spine Tray Assembly to the Brackets and secure using provided screws.

## ATTACH SPINE TRAY COVER

NOTE: Attach the Spine Tray Covers after running Wires.

NOTE: Worksurfaces, Control Boxes and Wires are hidden for Illustration Purposes.

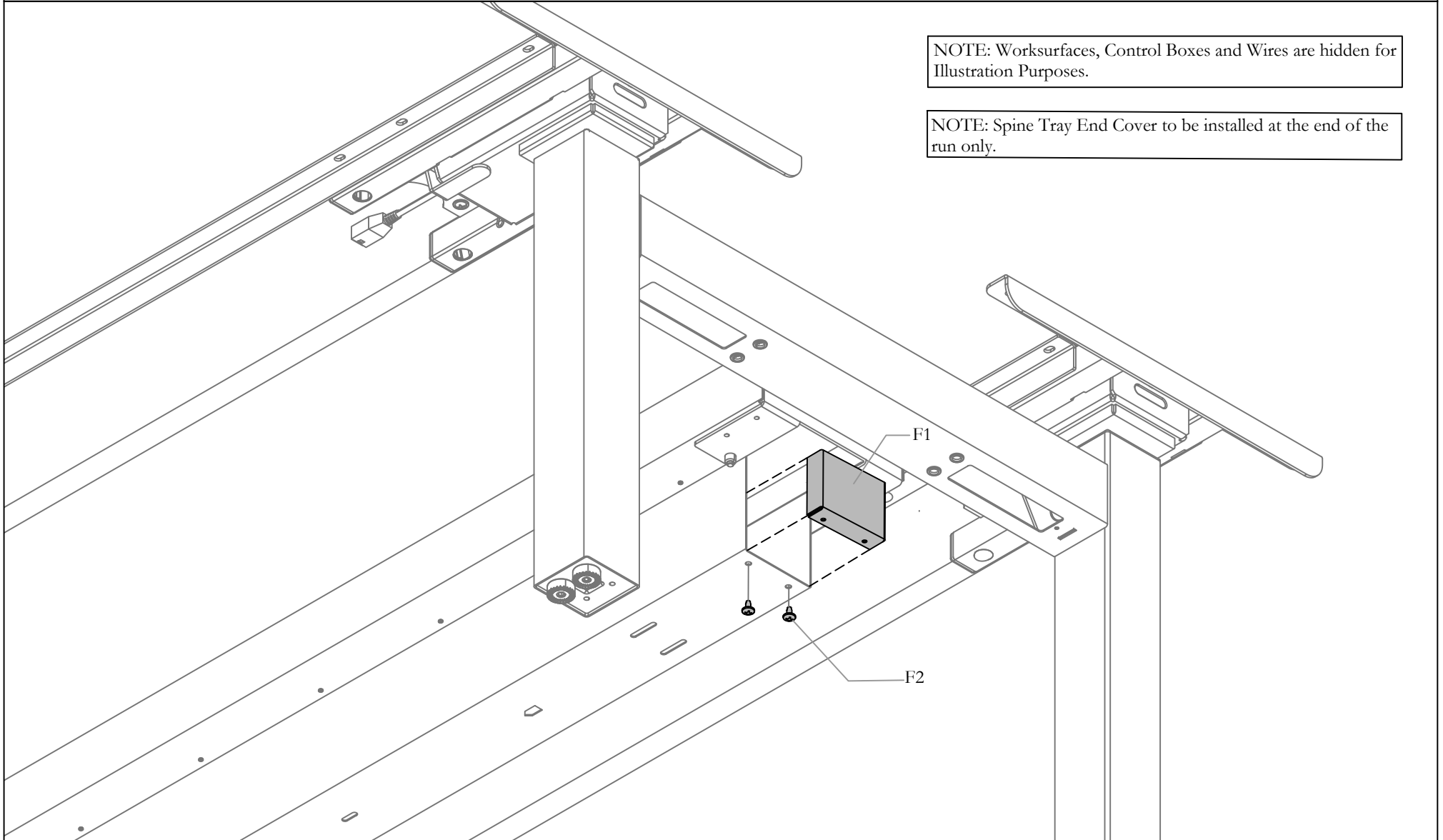


STEP 4: Attach the Spine Tray Covers onto the Tray.

## ATTACH SPINE TRAY END COVER

NOTE: Worksurfaces, Control Boxes and Wires are hidden for Illustration Purposes.

NOTE: Spine Tray End Cover to be installed at the end of the run only.



STEP 5: Attach the Spine Tray End Cover onto the Tray and secure with Fasteners.

# height-adjustable bench *Installation Guides*

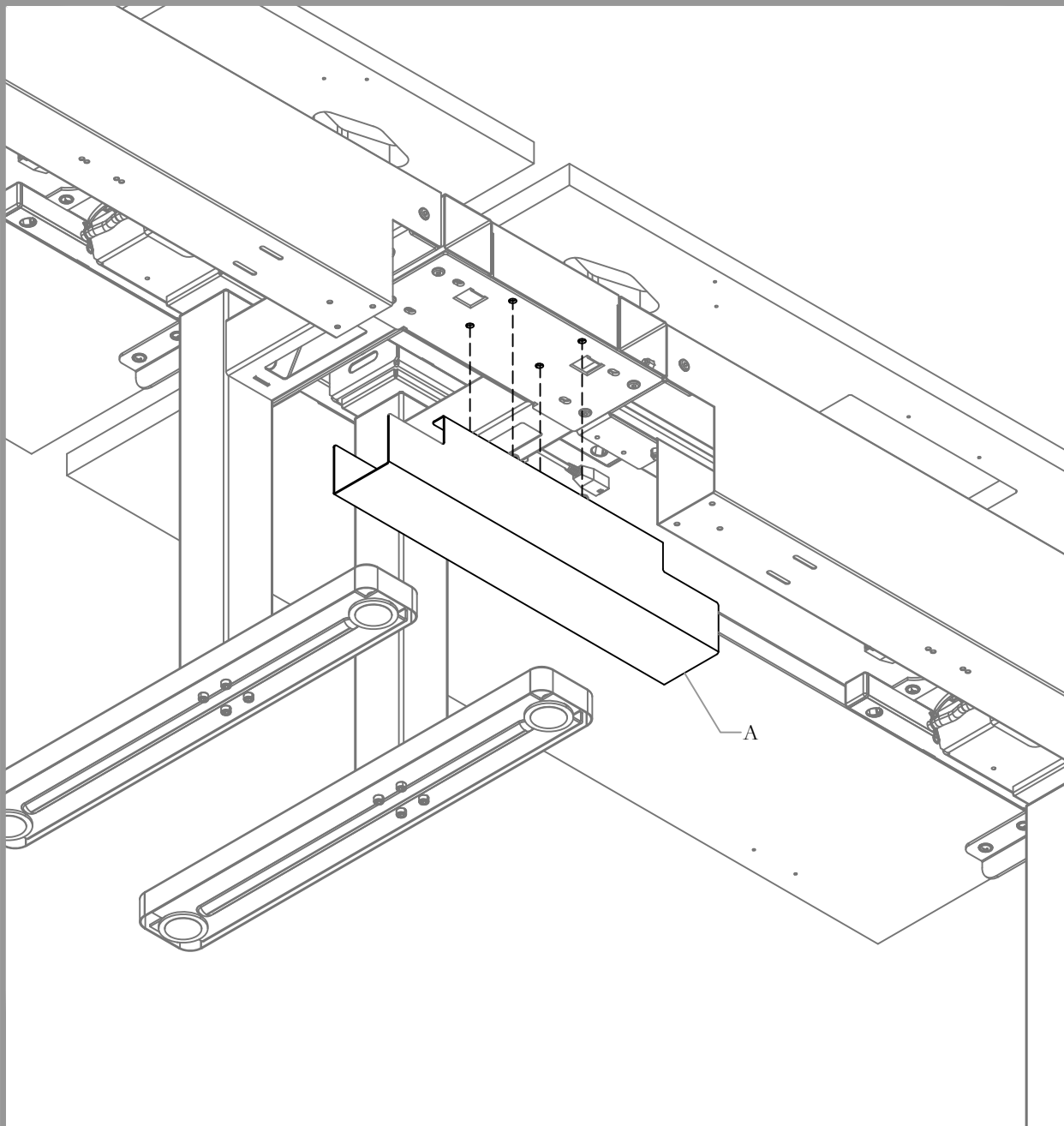
Section: **HEIGHT ADJUSTABLE BENCH**

Description: **WIRE BRIDGE**

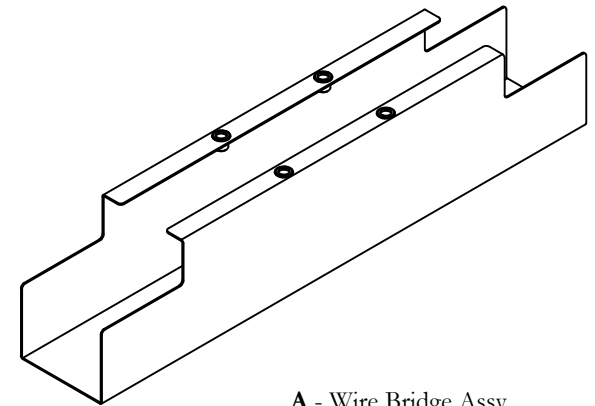
teknion

Date: Sept 2021 Page No: 1 of 4  
HABH\_119 Rev. No: 0

## Wire Bridge (HWBEWB)



## Part and Product Identification



**A** - Wire Bridge Assy.  
(N01-6089) x1



**B** - M6x16mm Screw  
(E01-1409) x4

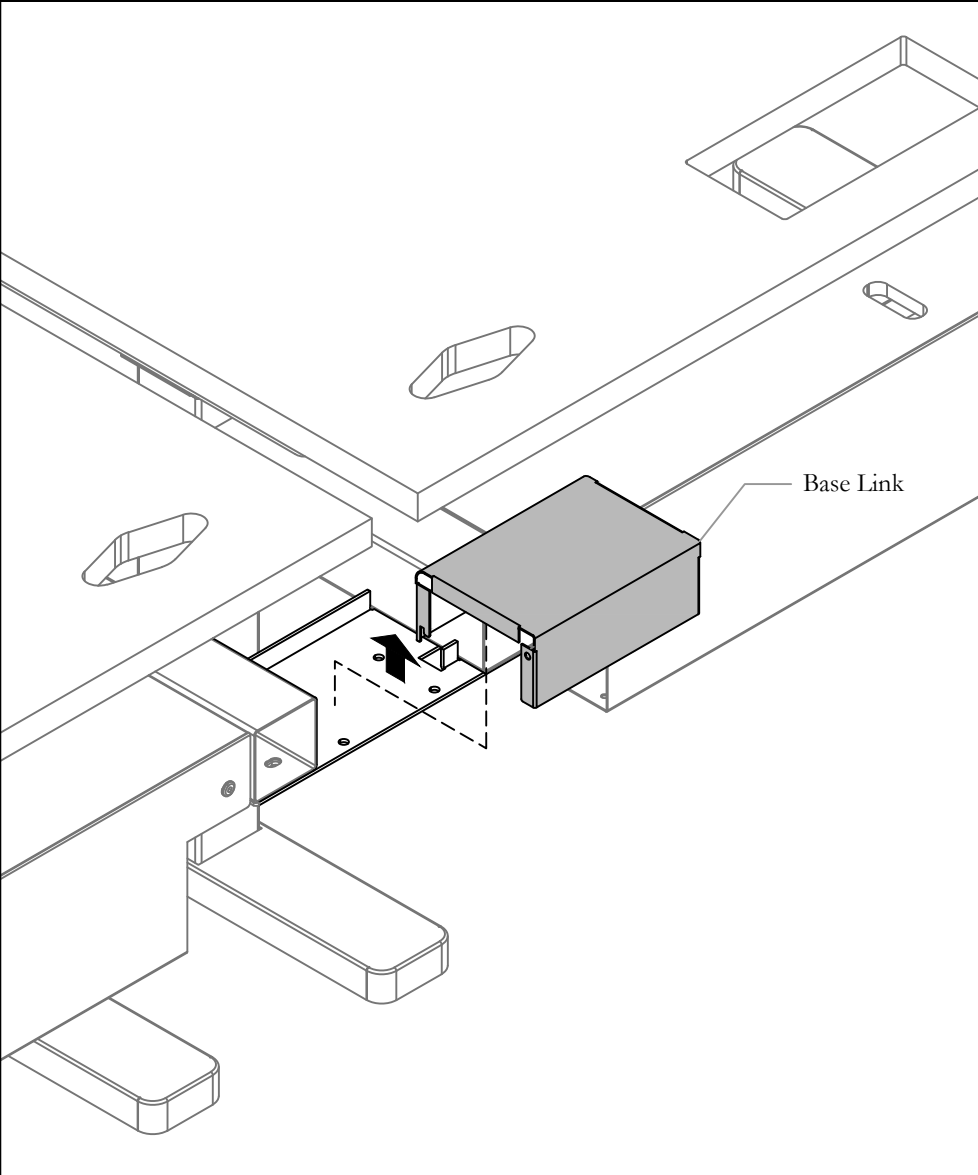


Section: **HEIGHT ADJUSTABLE BENCH**

Date: Sept 2021 Page No: 2 of 4  
HABH\_119

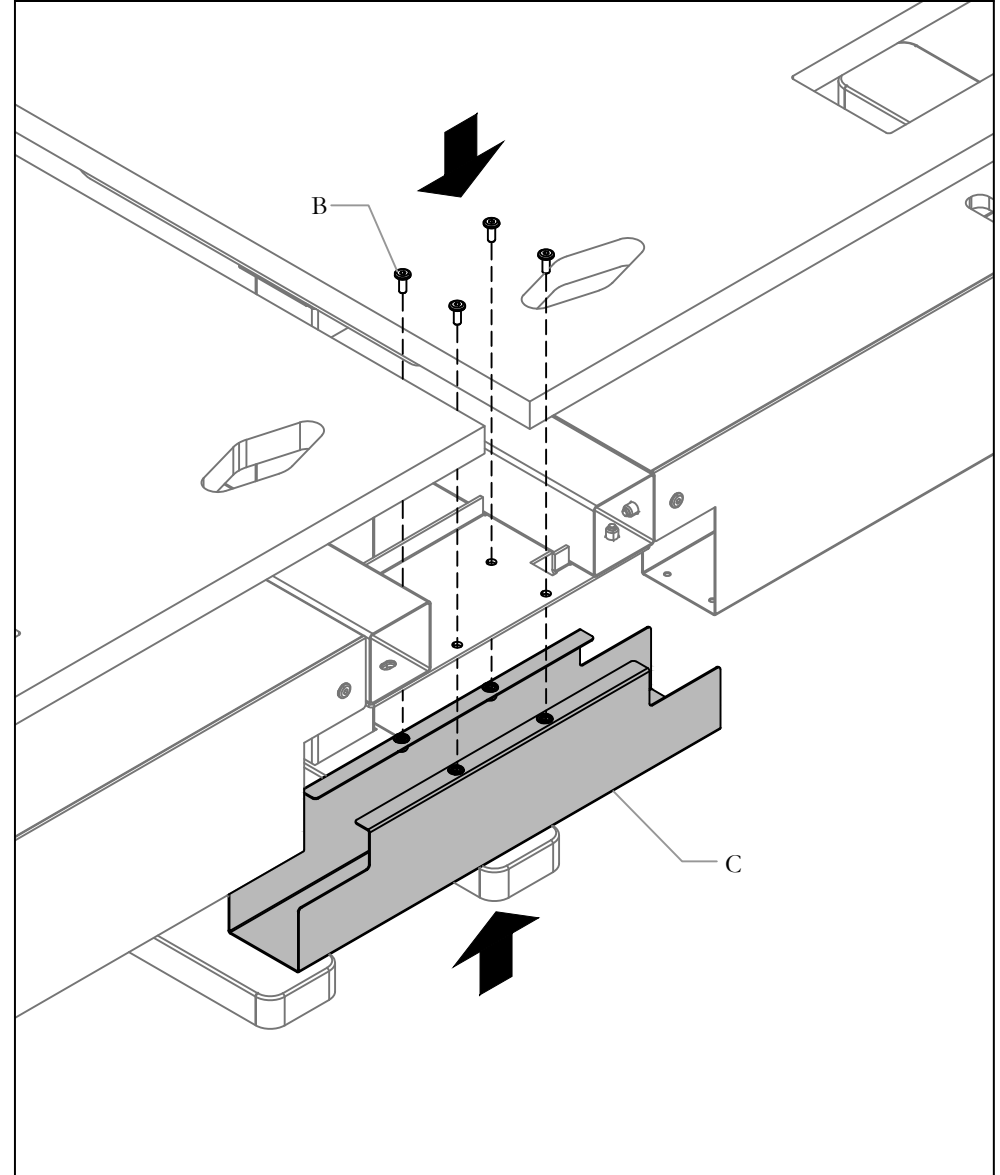
Description: **WIRE BRIDGE**

## FOR SINGLE-SIDED: REMOVE BASE LINK COVER



STEP 1a: Remove the Base Link Cover from Frame.

## ATTACH WIRE BRIDGE



STEP 2a: Secure Wire Bridge to underside of Base Link using provided Screws as shown.

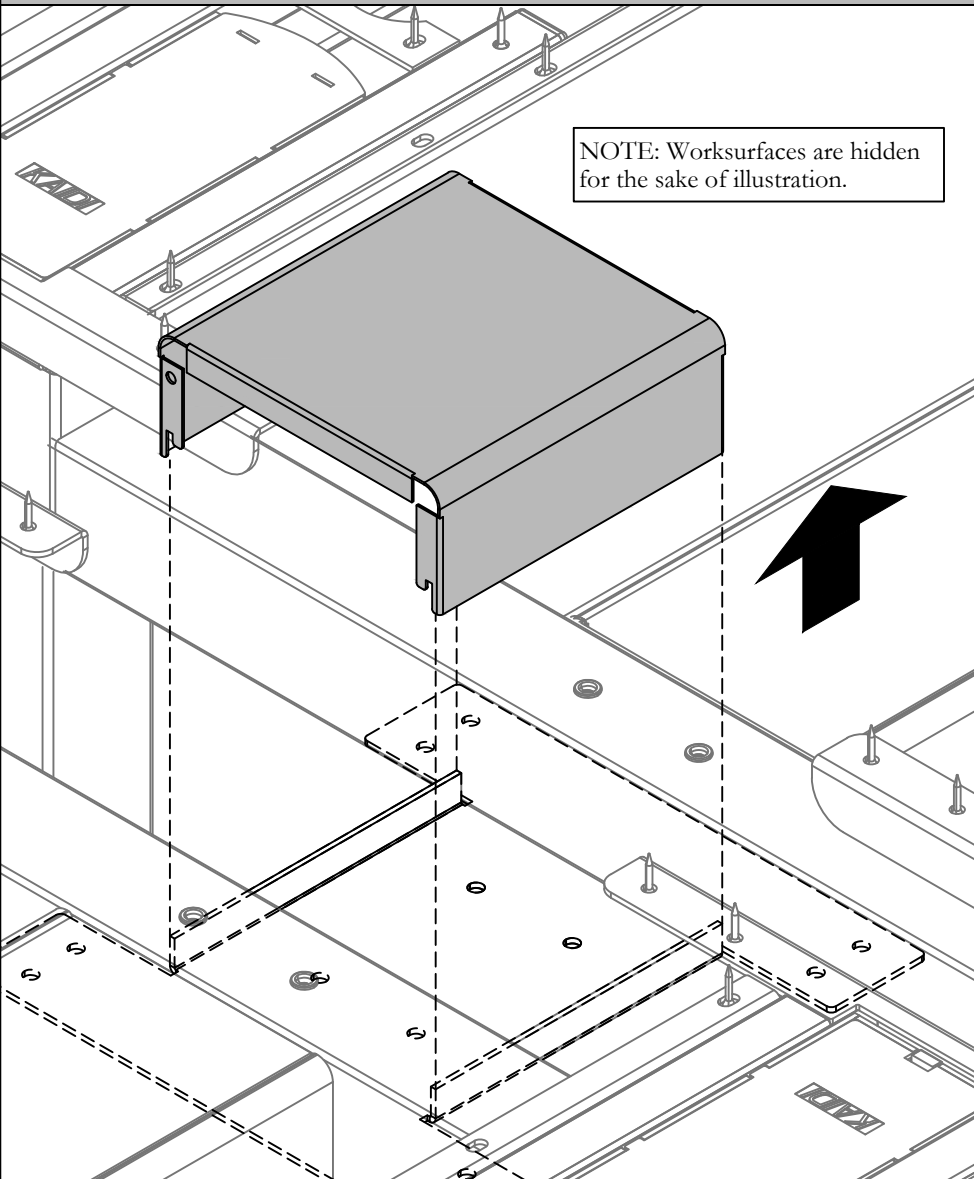
# height-adjustable bench *Installation Guides*

Section: **HEIGHT ADJUSTABLE BENCH**

Date: Sept 2021 Page No: 3 of 4  
HABH\_119

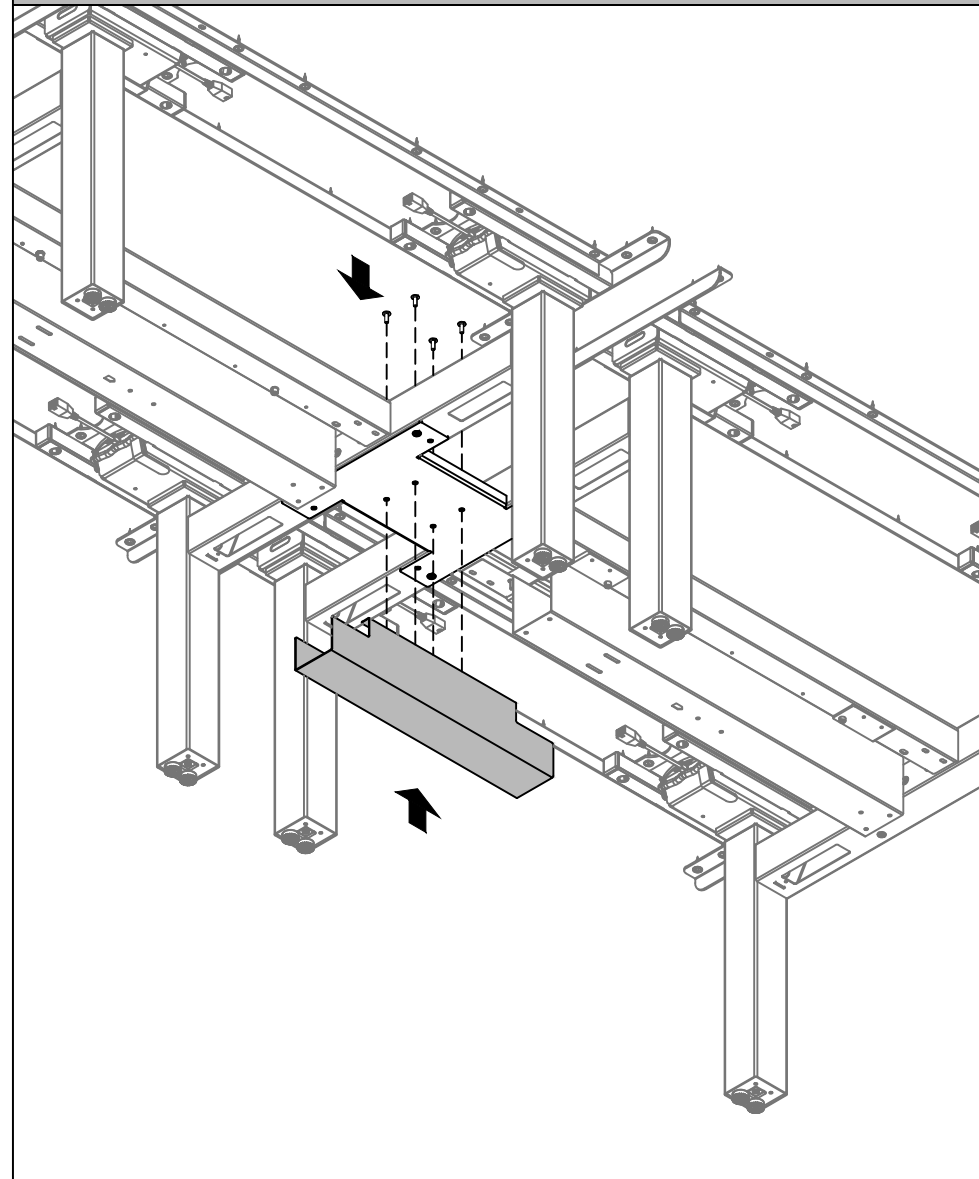
Description: **WIRE BRIDGE**

## FOR DOUBLE-SIDED: REMOVE COVER



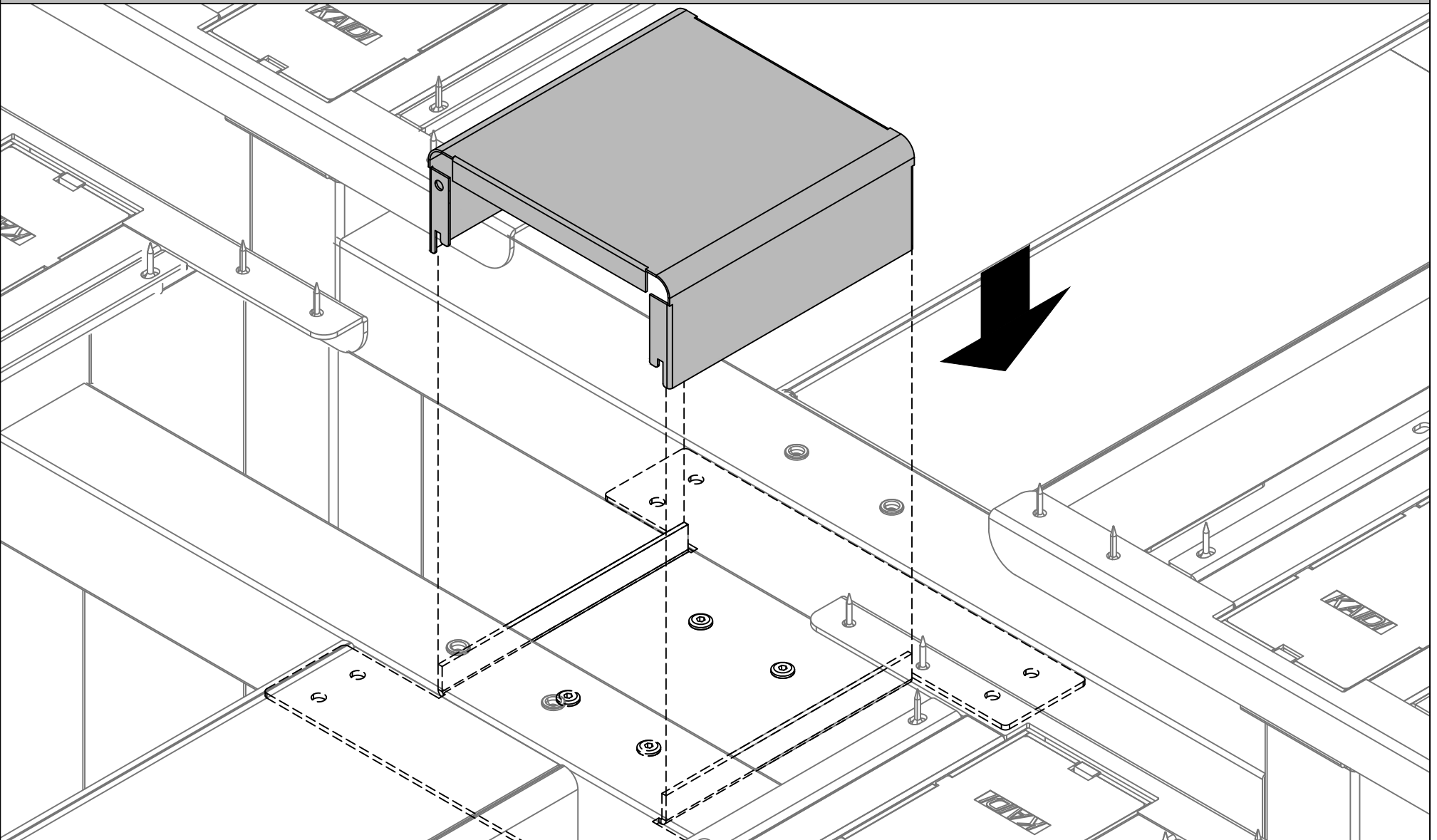
STEP 1b: Remove the Base Link Cover from Frame.

## ATTACH WIRE BRIDGE



STEP 2b: Secure Wire Bridge to underside of Base Link using provided Screws as shown.

ATTACH THE BASE LINK COVER



STEP 3: Reattach the Base Cover.

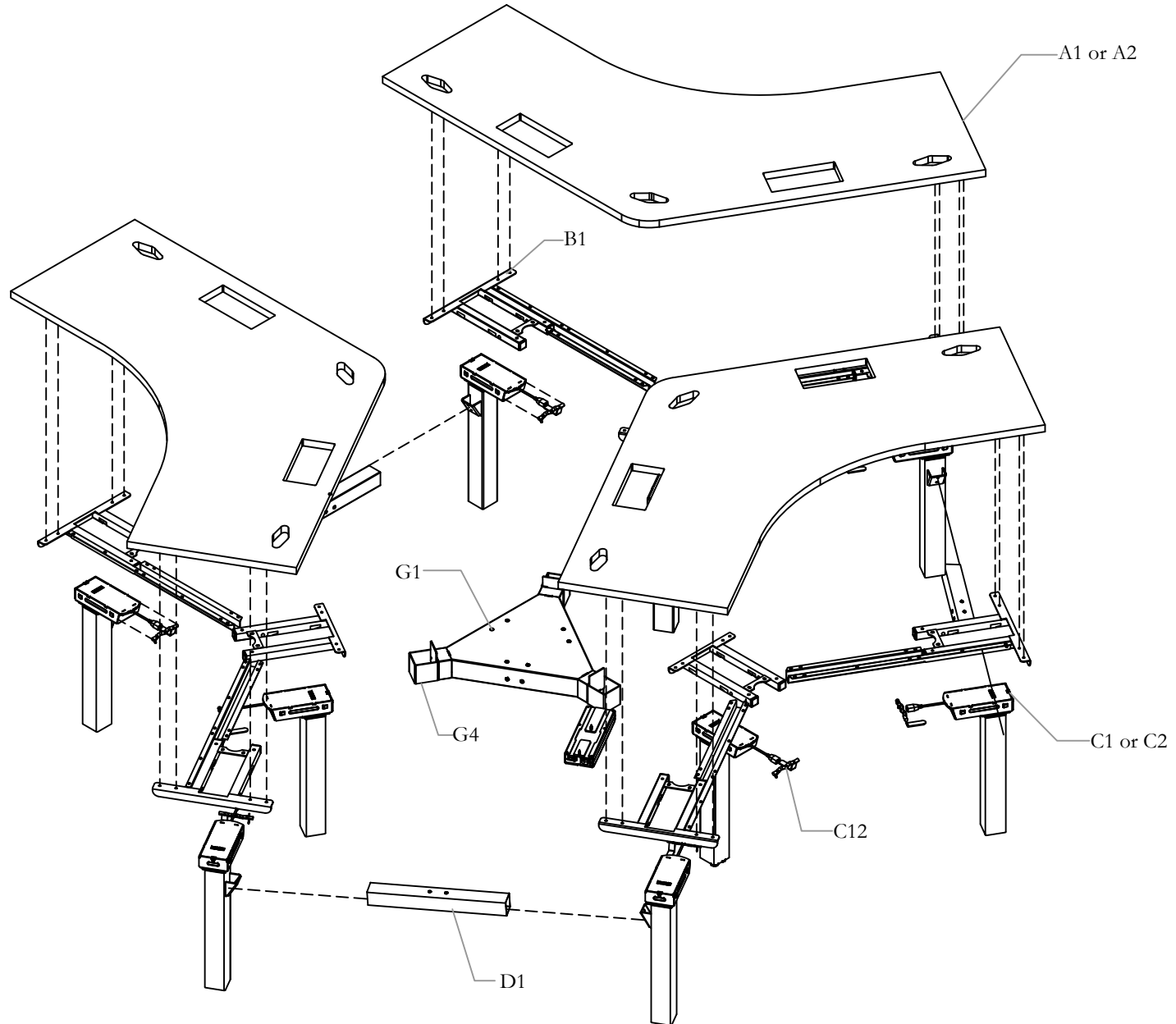
# height-adjustable bench *Installation Guides*

Section: **HEIGHT ADJUSTABLE BENCH**  
Description: **120 FRAME HAB**

teknion

Date: May 2023 Page No: 1 of 29  
HABH\_120 Rev. No: 1

120 Worksurface w/ Square Corners (HWBWBT), 120 Worksurface w/ Radius Corners(HWBWJT), 120 Frame (HWBFYT),



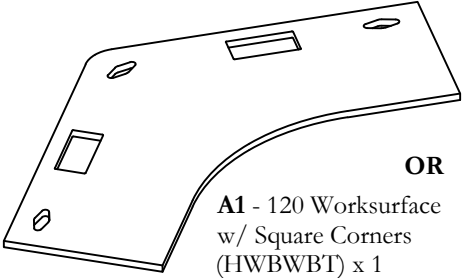
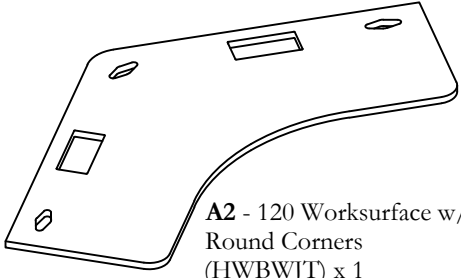
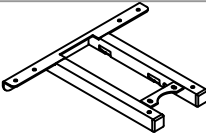
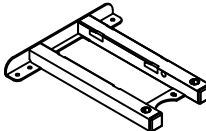
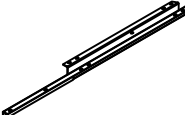

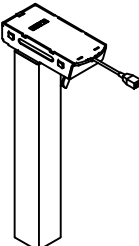
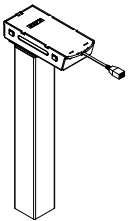
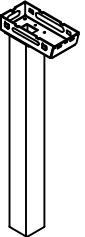
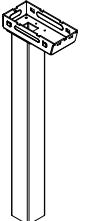


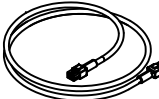


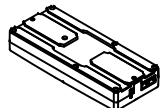


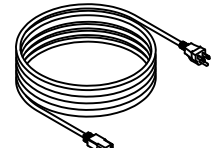

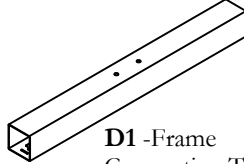
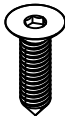

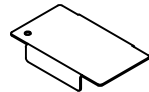
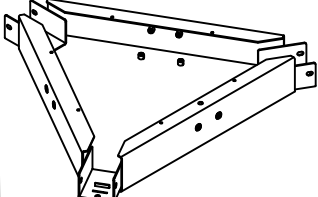
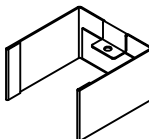

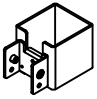
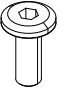
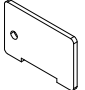
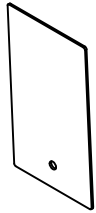
# height-adjustable bench *Installation Guides*

Section: **HEIGHT ADJUSTABLE BENCH**

Date: May 2023 Page No: 2 of 29  
HABH\_120 Rev. No: 1

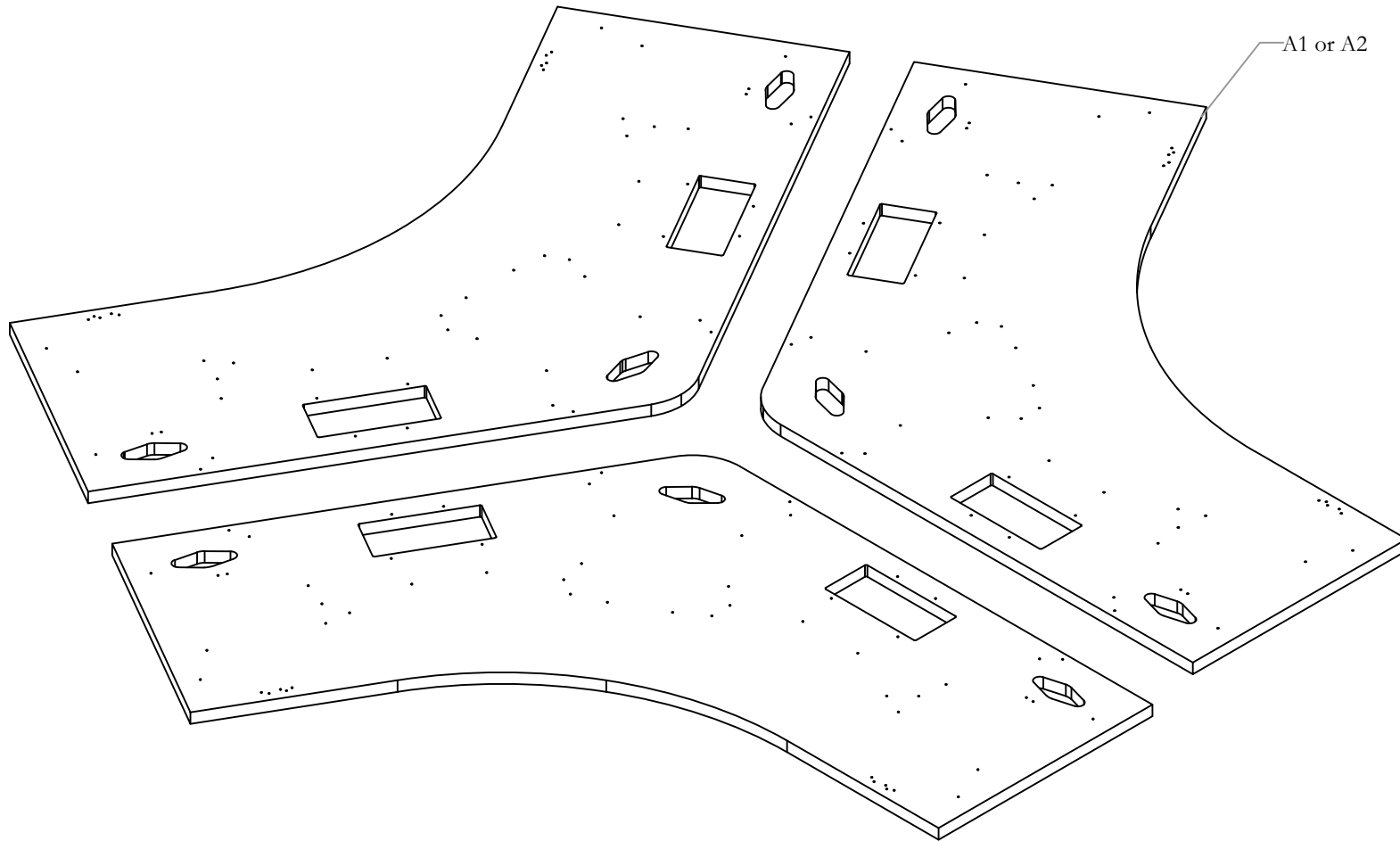
Description: **FRAME 120 HAB**

## Part and Product Identification

A- Worksurface	 <b>OR</b> 		B- Worksurface Frame 120 (N01-7755) x 3	<b>120 Frame (HWBFYT)</b>				
								
<b>120 Frame (HWBFYT)</b>								
								
								
<b>120 Frame (HWBFYT)</b>								
D-Frame Connecting Tube Assy (N01-4877-X)								
G-Frame Link Kit, 120/ Frame LinkKit, 120, Fix Height(X01-4498) / (X01-4703) x1								

PLACE AND ALIGN WORKSURFACES

NOTE: Worksurfaces upside down



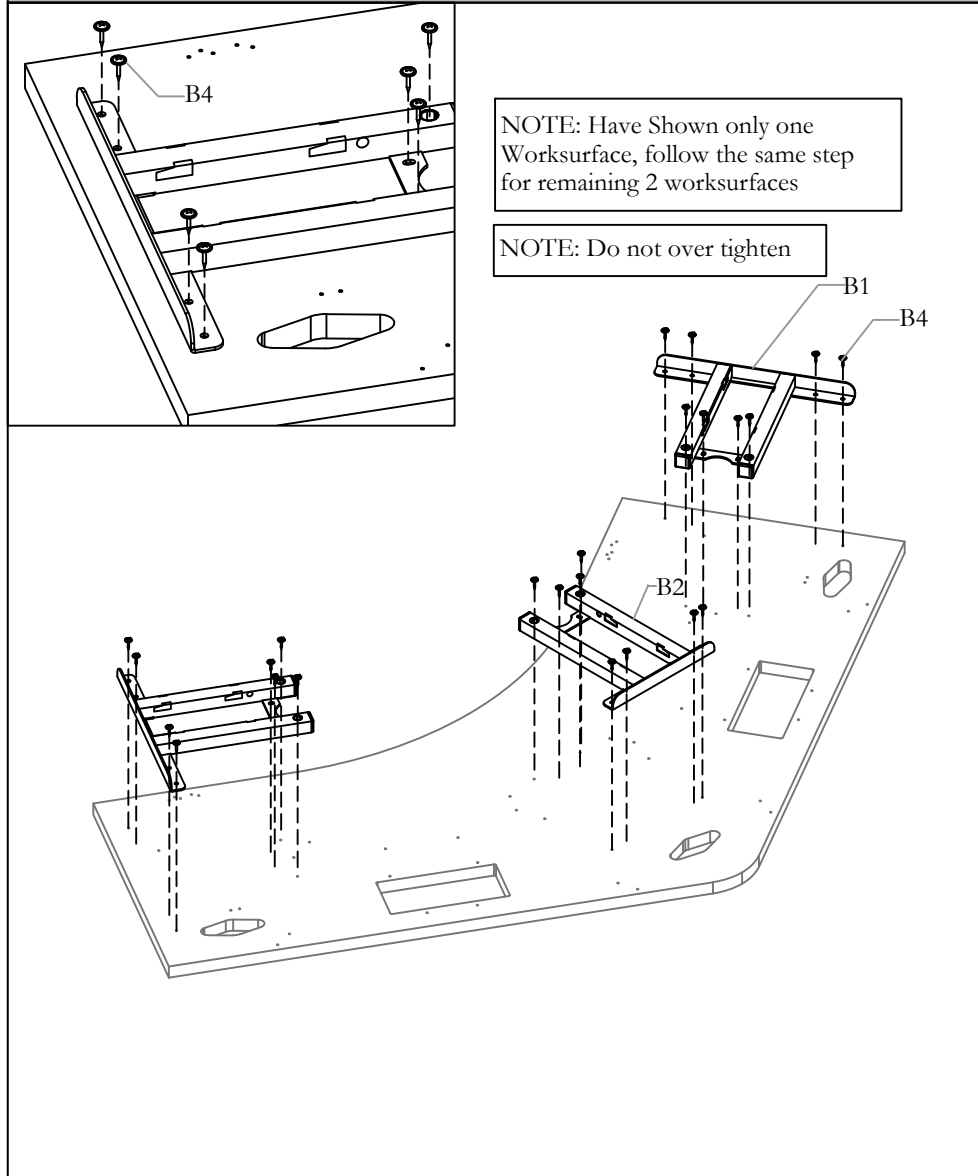
STEP 1: Place all the 3 worksurfaces upside down on the ground with the pilot holes facing up and align with each other as shown

Section: HEIGHT ADJUSTABLE BENCH

Date: May 2023 Page No: 4 of 29  
HABH\_120

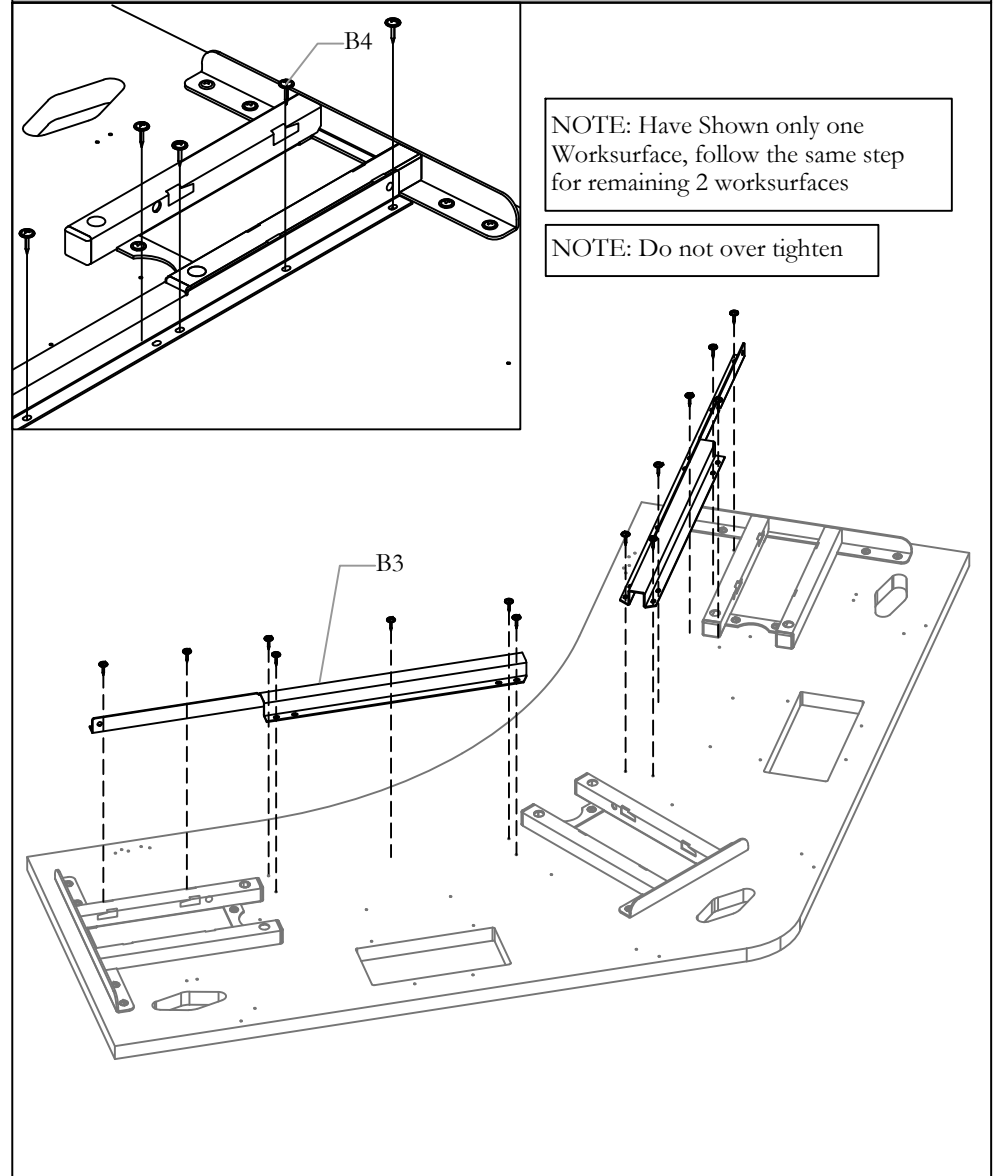
Description: FRAME 120 HAB

## ATTACH LEG MOUNT BRACKET WELDMENT



STEP 2: Attach the Leg Mount Bracket Weldment to Three Worksurfaces and secure with provided screws.

## ATTACH 3 PT STIFFNER



STEP 3: Attach the Hi-Space 3 PT Stiffner to the Worksurfaces and secure in place with provided screws.



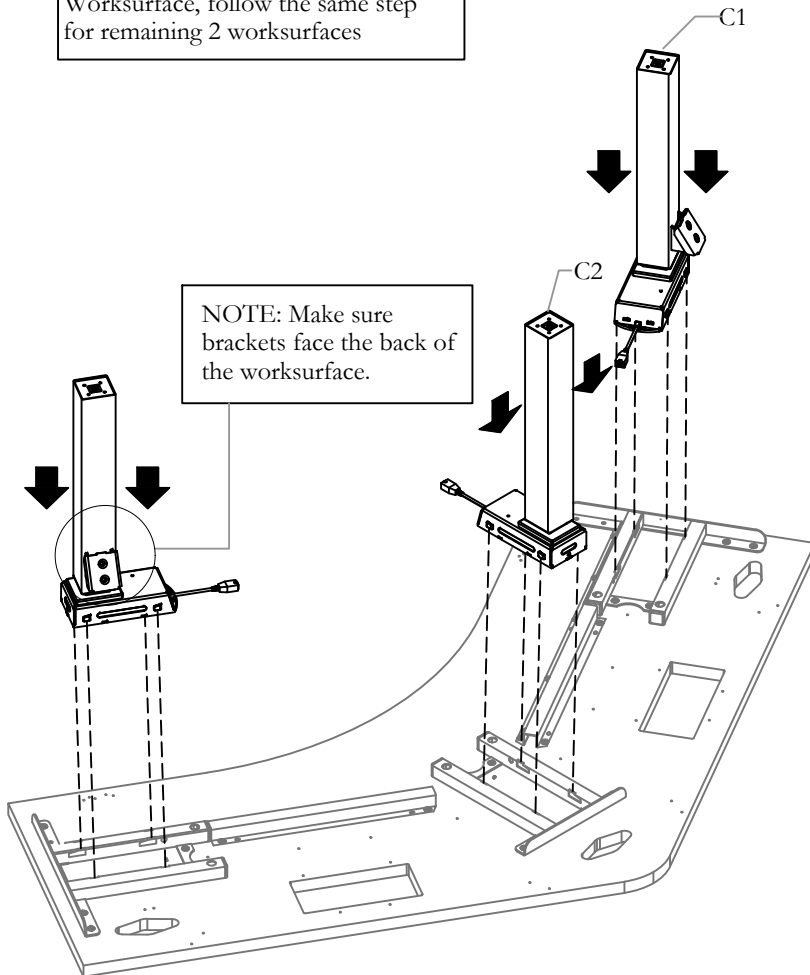
Section: **HEIGHT ADJUSTABLE BENCH**

Date: May 2023 Page No: 5 of 29  
HABH\_120

Description: **FRAME 120 HAB**

## ATTACH LEGS TO BRACKET

NOTE: Have Shown only one Worksurface, follow the same step for remaining 2 worksurfaces



NOTE: Make sure brackets face the back of the worksurface.

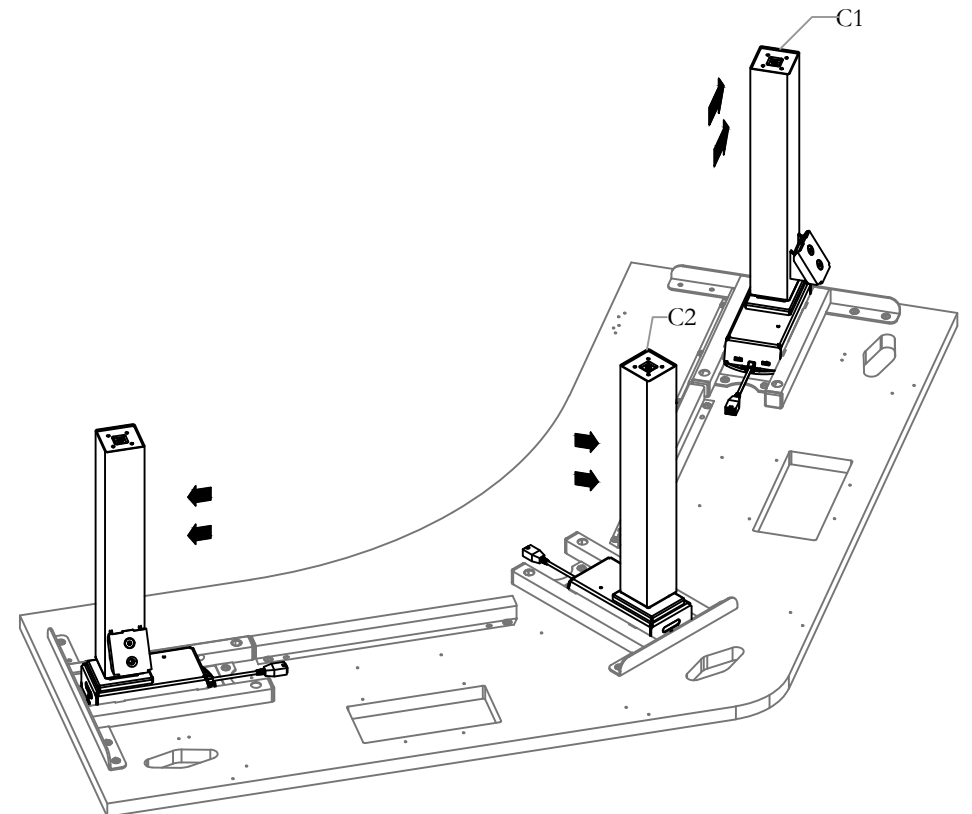
STEP 4A: Attach Legs to the Leg Mounts by lining up with holes. Brackets should face towards the back of each Worksurface.

NOTE: Either Height Adjustable Leg or Fixed Leg can be attached according to customer's need

## SECURE LEGS-C1

NOTE: C1 Leg (N01-7983) is for Height adjustable bench (HWBFYT9E)

NOTE: Have Shown only one Worksurface, follow the same step for remaining 2 worksurfaces

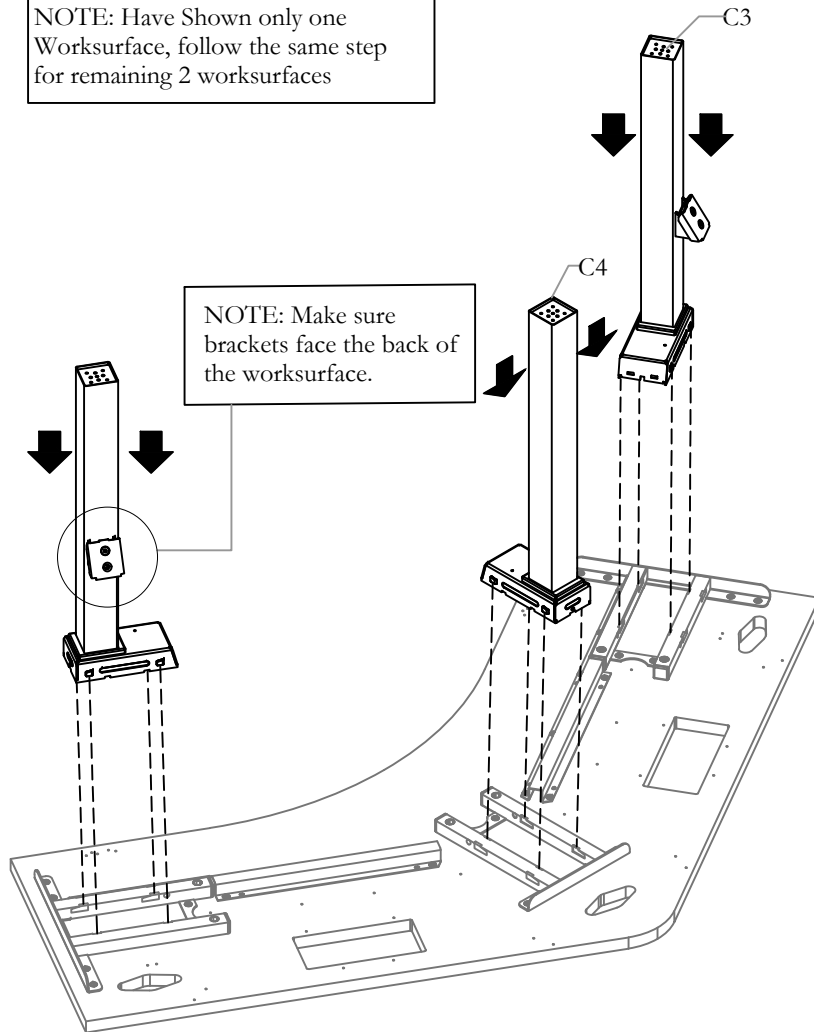


STEP 5A: Push Legs towards the outer side of each Worksurface.



## ATTACH LEGS TO BRACKET

NOTE: Have Shown only one Worksurface, follow the same step for remaining 2 worksurfaces



NOTE: Make sure brackets face the back of the worksurface.

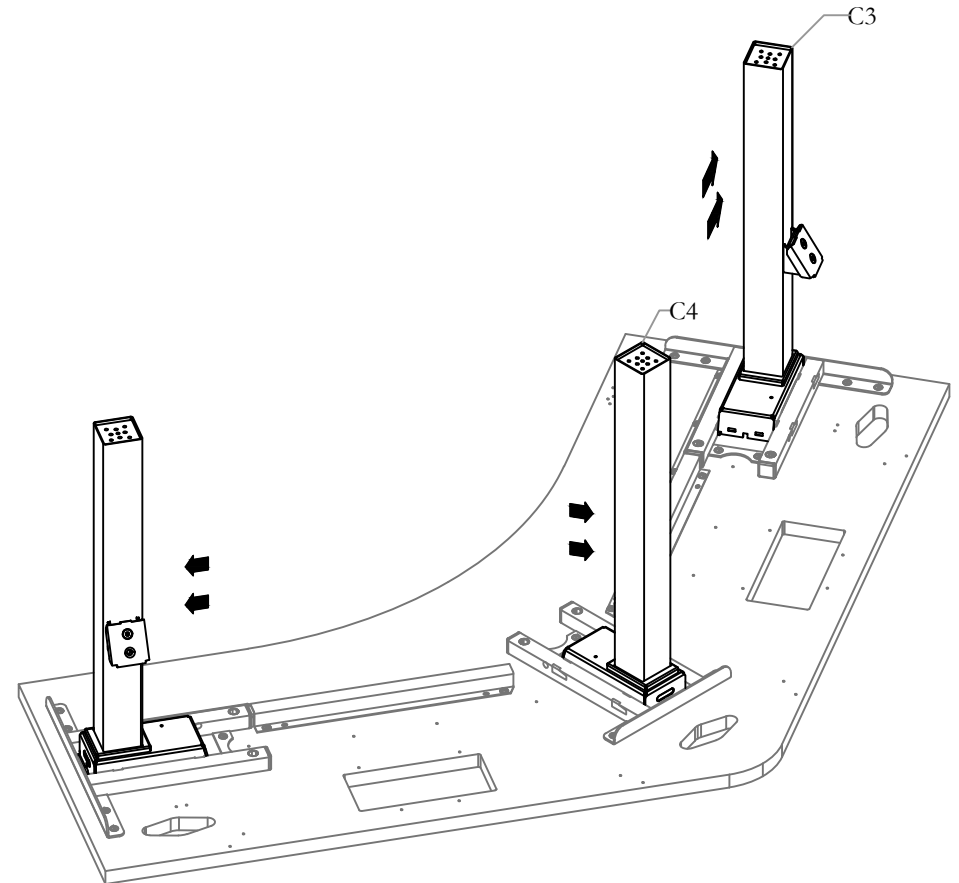
STEP 4B: Attach Legs to the Leg Mounts by lining up with holes. Brackets should face towards the back of each Worksurface.

NOTE: Either Height Adjustable Leg or Fixed Leg can be attached according to customer's need

## SECURE LEGS- C2

NOTE: C2 Leg (N01-7764) is for Fixed bench (HWBFYT2F)

NOTE: Have Shown only one Worksurface, follow the same step for remaining 2 worksurfaces



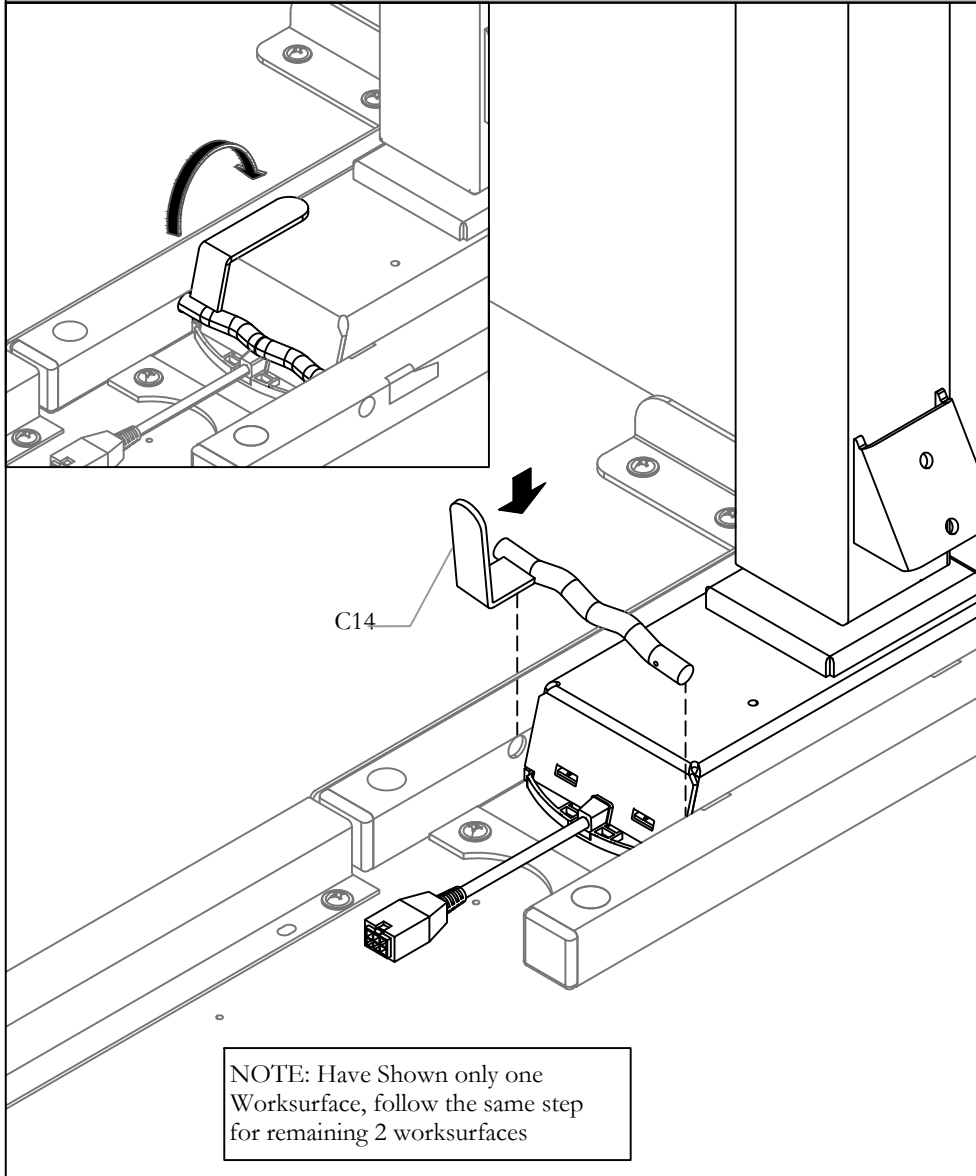
STEP 5B: Push Legs towards the outer side of each Worksurface.

Section: HEIGHT ADJUSTABLE BENCH

Date: May 2023 Page No: 7 of 29  
HABH\_120

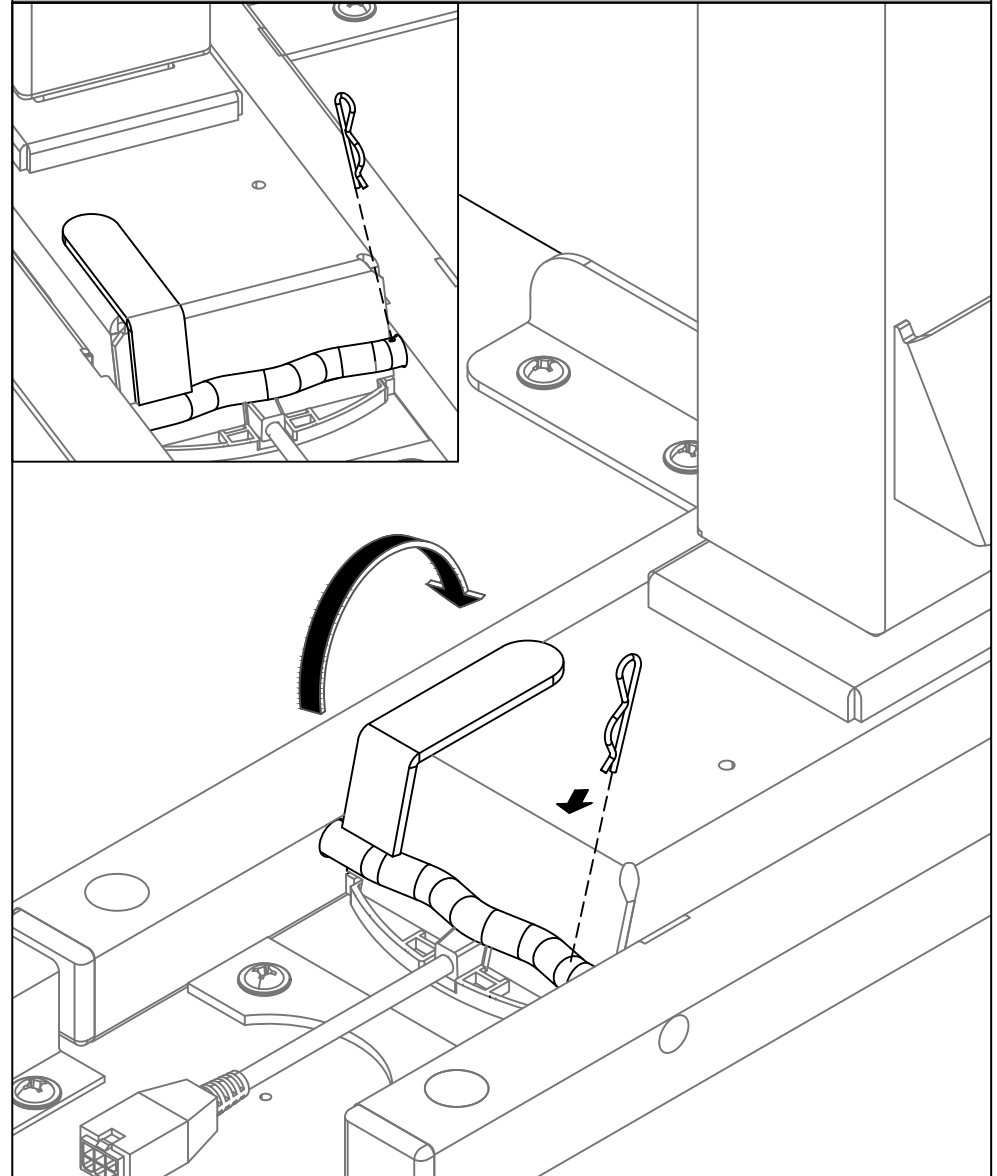
Description: FRAME 120 HAB

## INSTALL CAM HANDLE



STEP 6: Install Cam Handles into Brackets and turn towards Leg to lock.

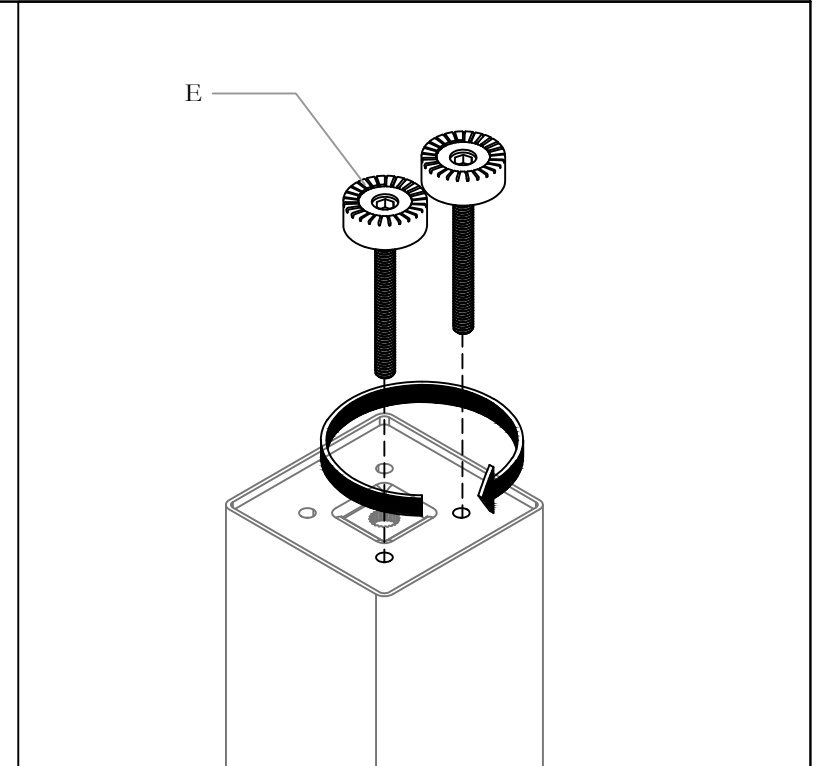
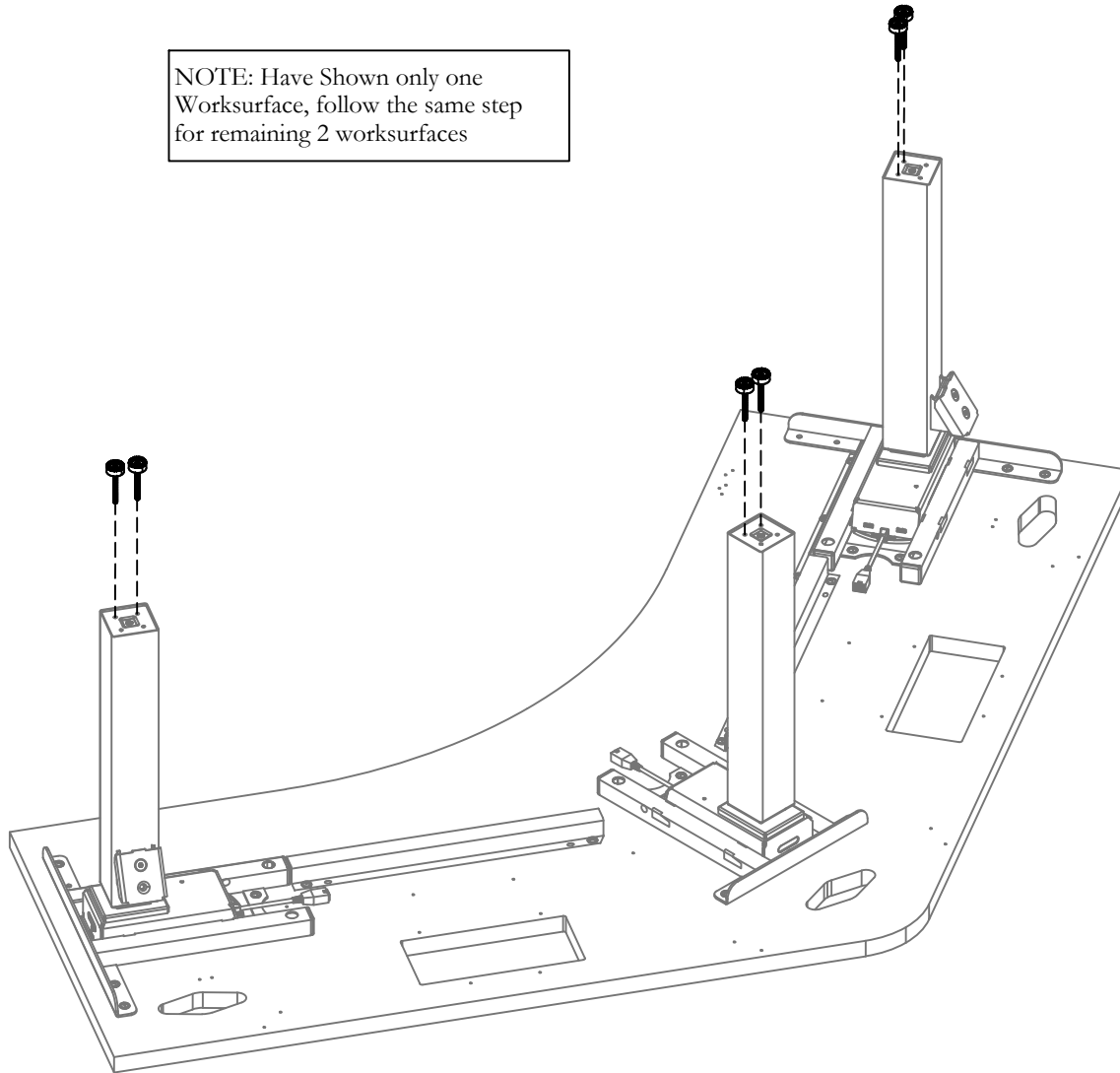
## SECURE CAM HANDLE



STEP 7: Insert Pins as shown to lock Cam Handles and secure Legs.

## ATTACH LEVELERS TO LEGS

NOTE: Have Shown only one Worksurface, follow the same step for remaining 2 worksurfaces

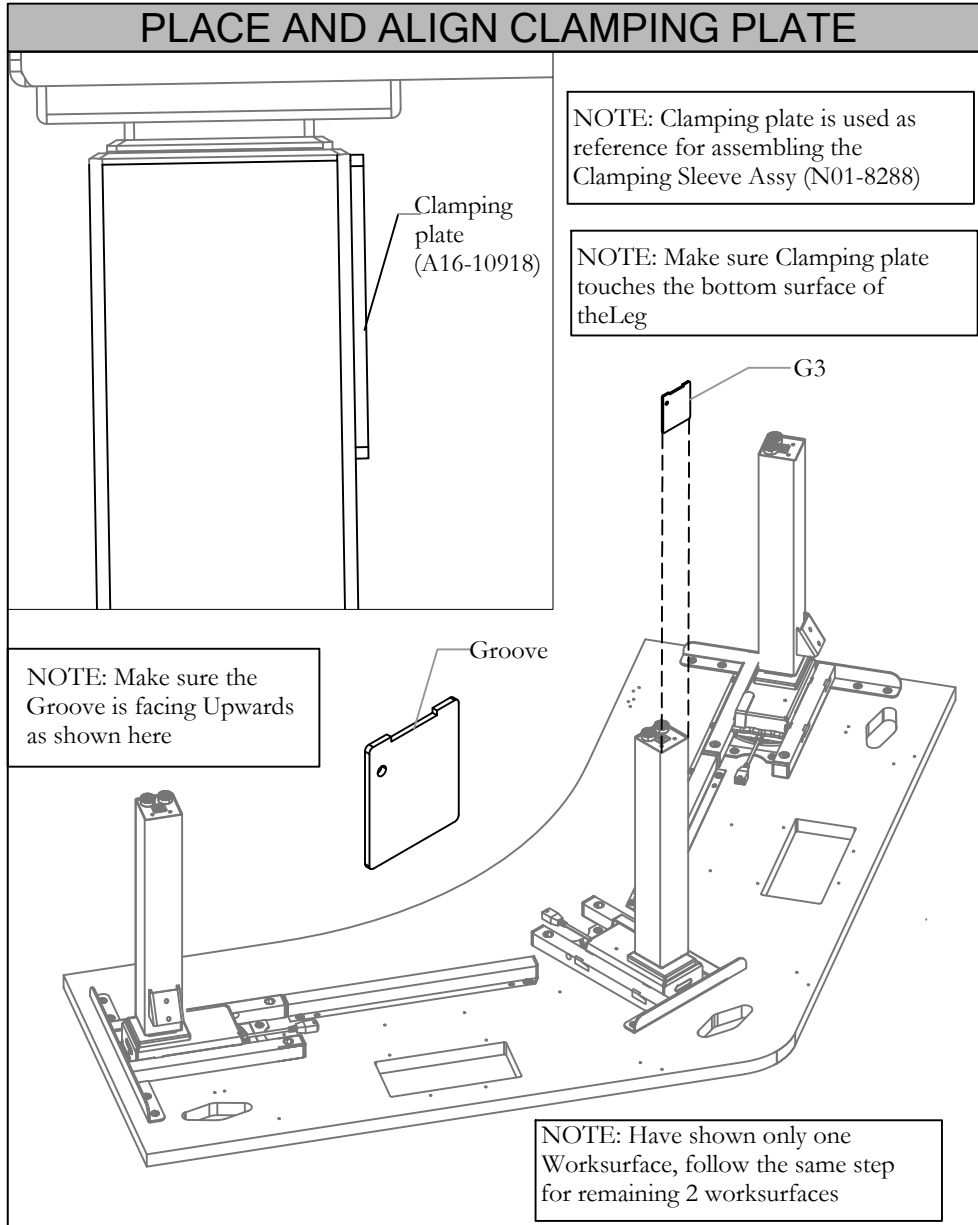


STEP 8: Attach Levelers to Legs as shown. Fasten by rotating clockwise.

Section: **HEIGHT ADJUSTABLE BENCH**

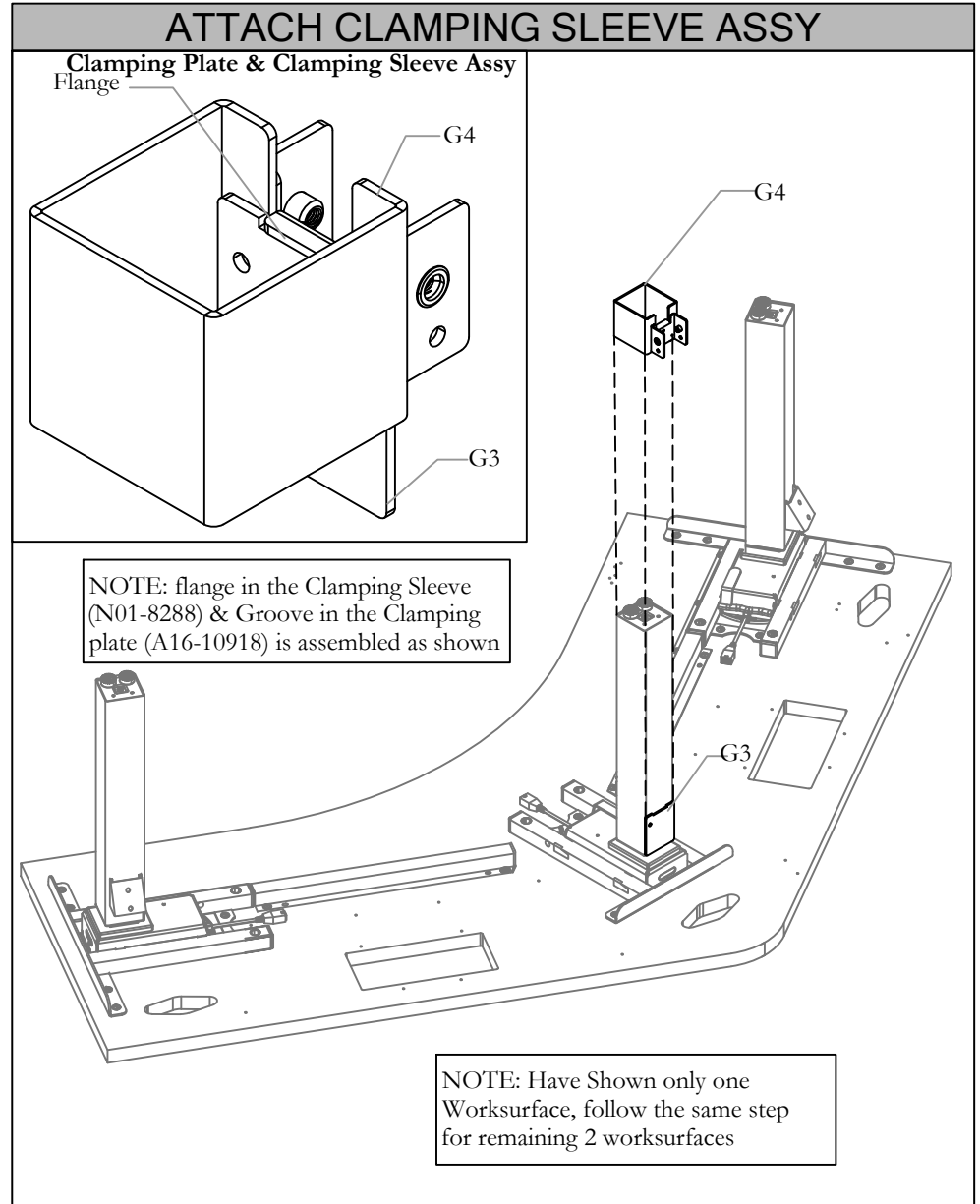
Date: May 2023 Page No: 9 of 29  
HABH\_120

Description: **FRAME 120 HAB**



STEP 9A: Place the clamping plate so that the bottom edge of the clamping plate is touching the surface of the leg

NOTE: This step is the Clamping Sleeve Assembly for Height Adjustable Bench (HWBFYT9E)

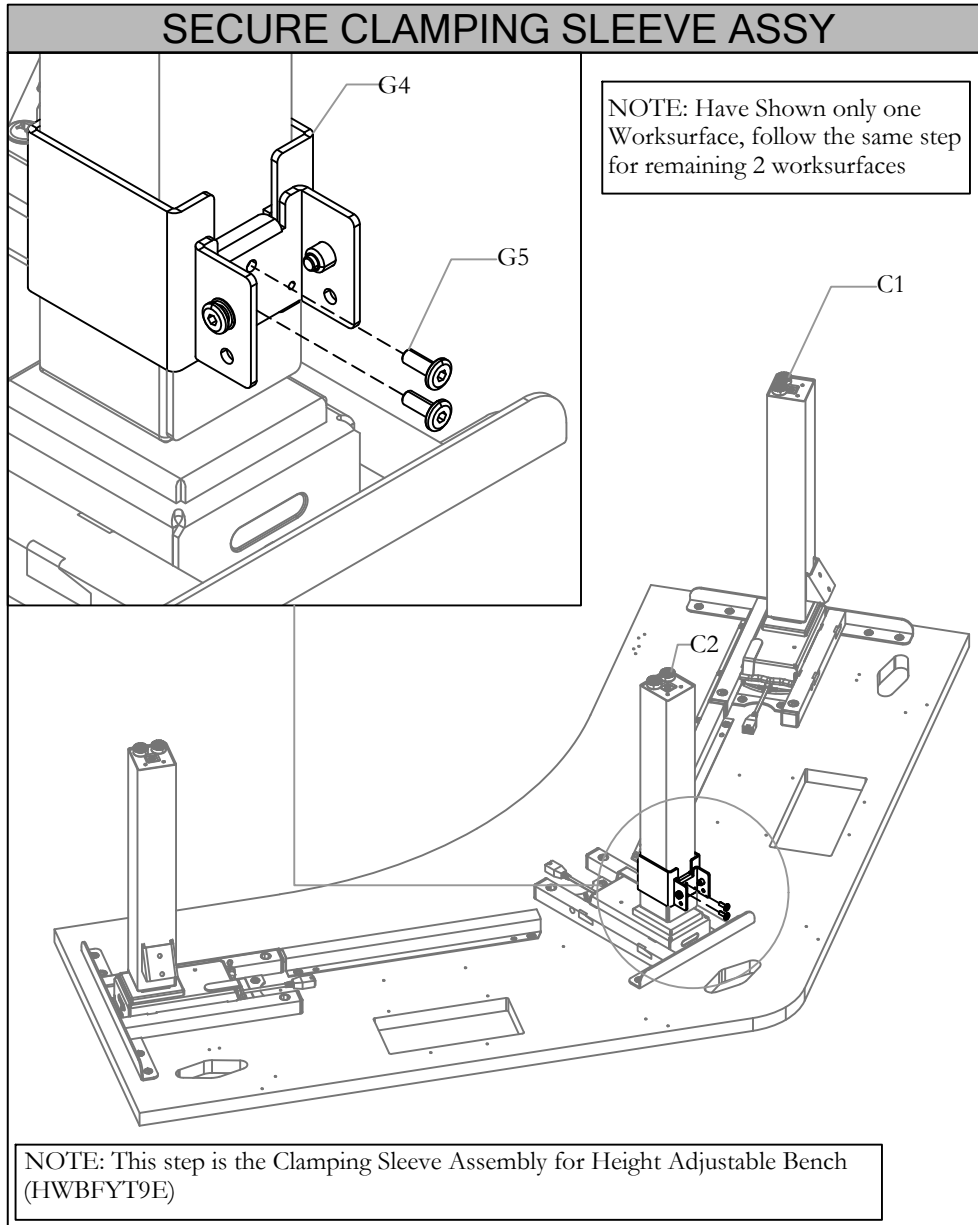


STEP 10A: Assemble the Clamping Sleeve Assembly with reference to the clamping plate

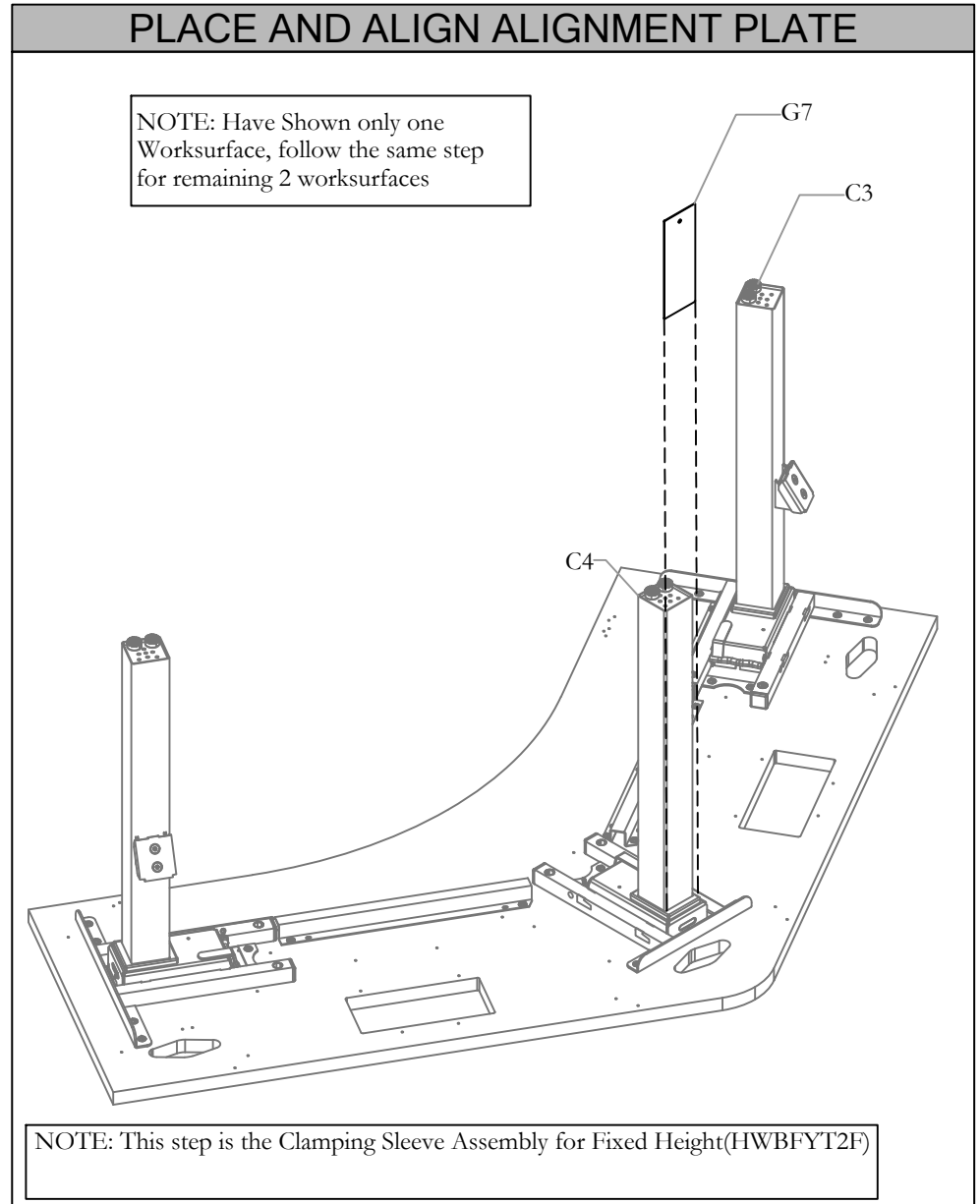
Section: **HEIGHT ADJUSTABLE BENCH**

Date: May 2023 Page No: 10 of 29  
HABH\_120

Description: **FRAME 120 HAB**



STEP 11A: Secure the Clamping Sleeve Assembly

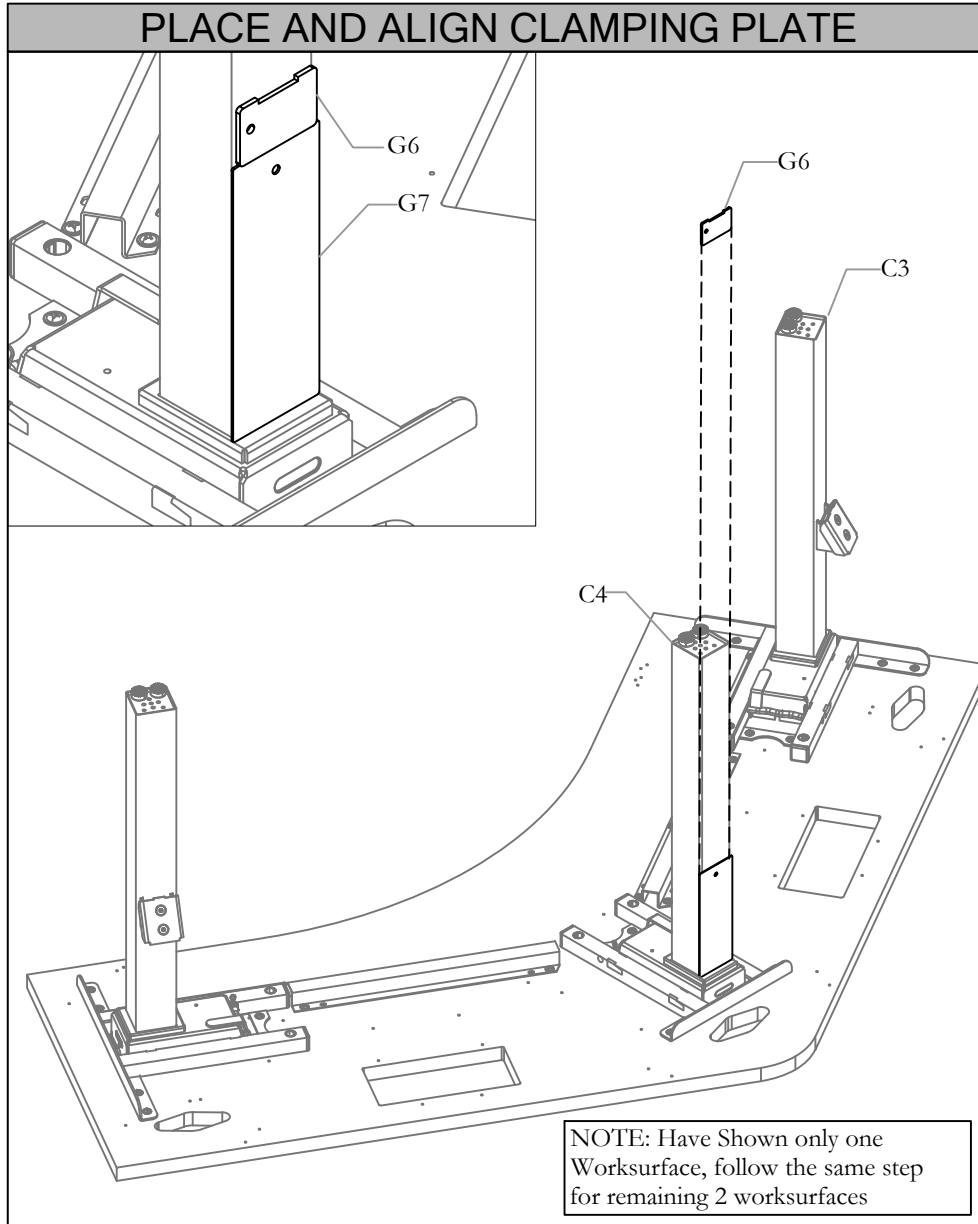


STEP 9Ba: Place and align the Alignment plate (A16-11125) which is used as a reference to assemble the Clamping plate (A16-11069)

Section: **HEIGHT ADJUSTABLE BENCH**

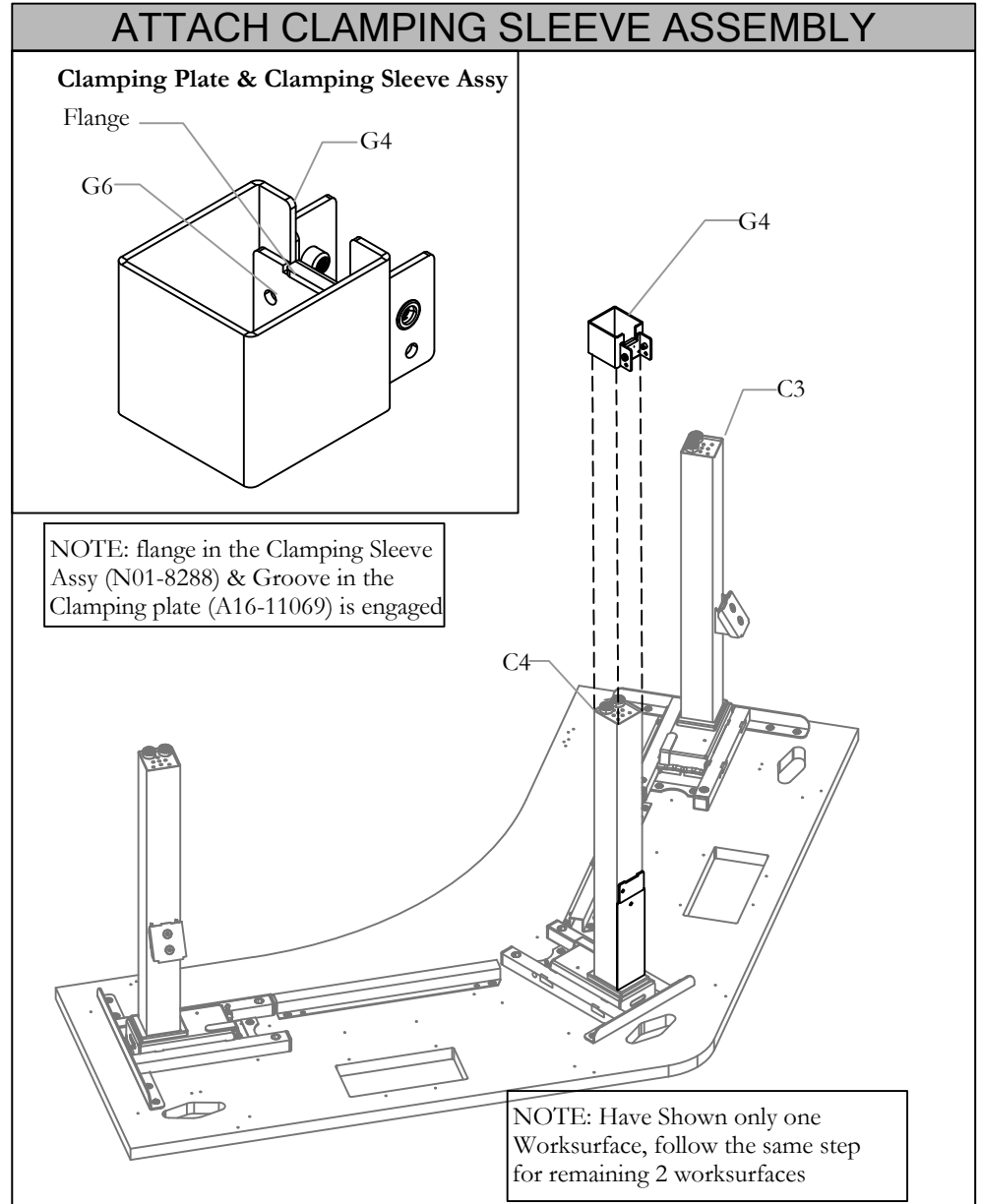
Date: May 2023 Page No: 11 of 29  
HABH\_120

Description: **FRAME 120 HAB**



STEP 9Bb: Place Clamping plate on the top of the Alignment plate

**NOTE:** This step is the Clamping Sleeve Assembly for Fixed Height(HWBFYT2F)

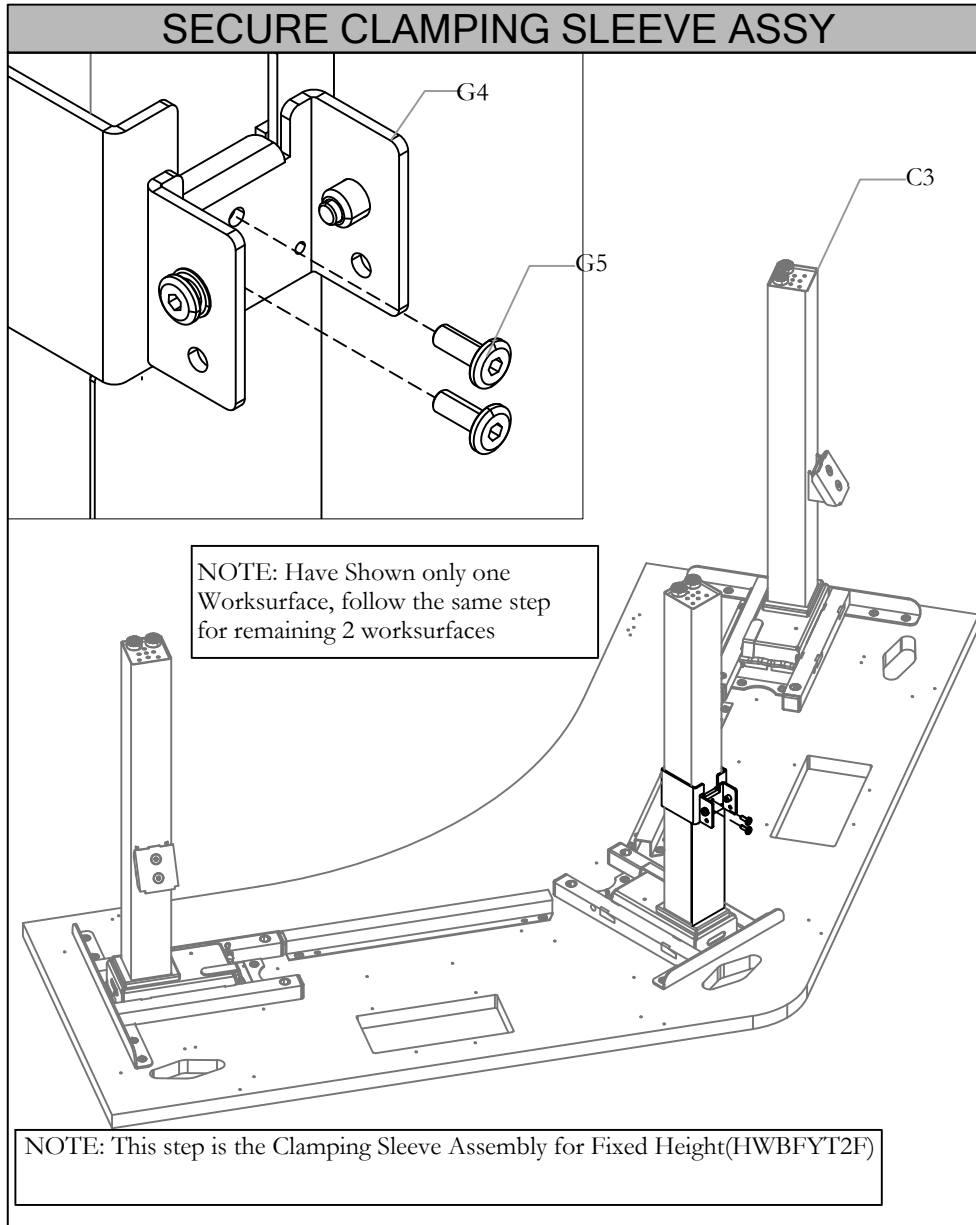


STEP 10B: Assemble the Clamping Sleeve Assy(N01-8288) with respect to the Clamping Plate (A16-11069)

Section: **HEIGHT ADJUSTABLE BENCH**

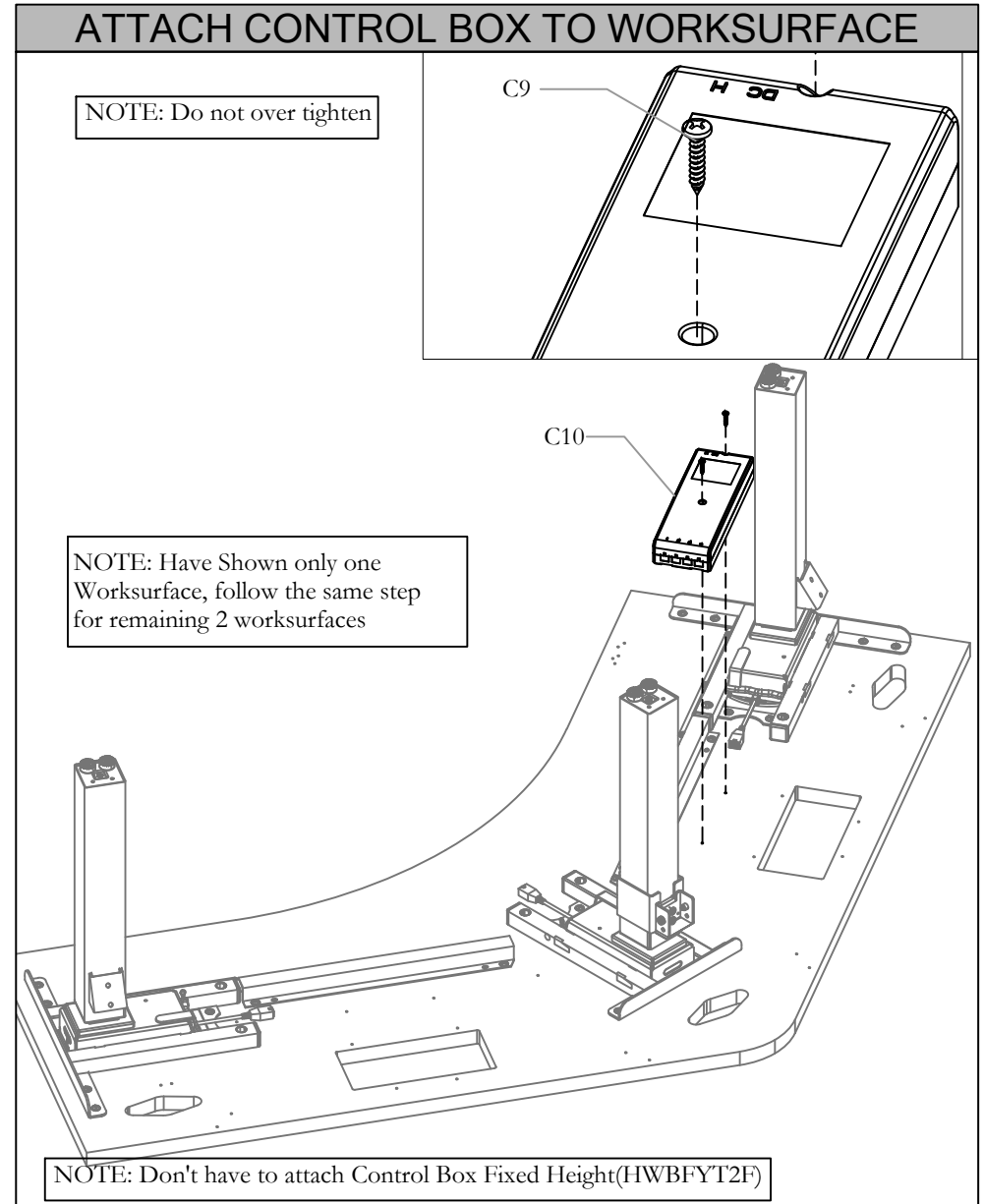
Date: May 2023 Page No: 12 of 29  
HABH\_120

Description: **FRAME 120 HAB**



STEP 11B: Secure the Clamping Sleeve Assembly

NOTE: Alignment plate is used as a reference for placing and aligning the clamping plate. Alignment plate is removed after step 11B



STEP 12: Attach Control Box to Worksurface and fasten using provided screws.

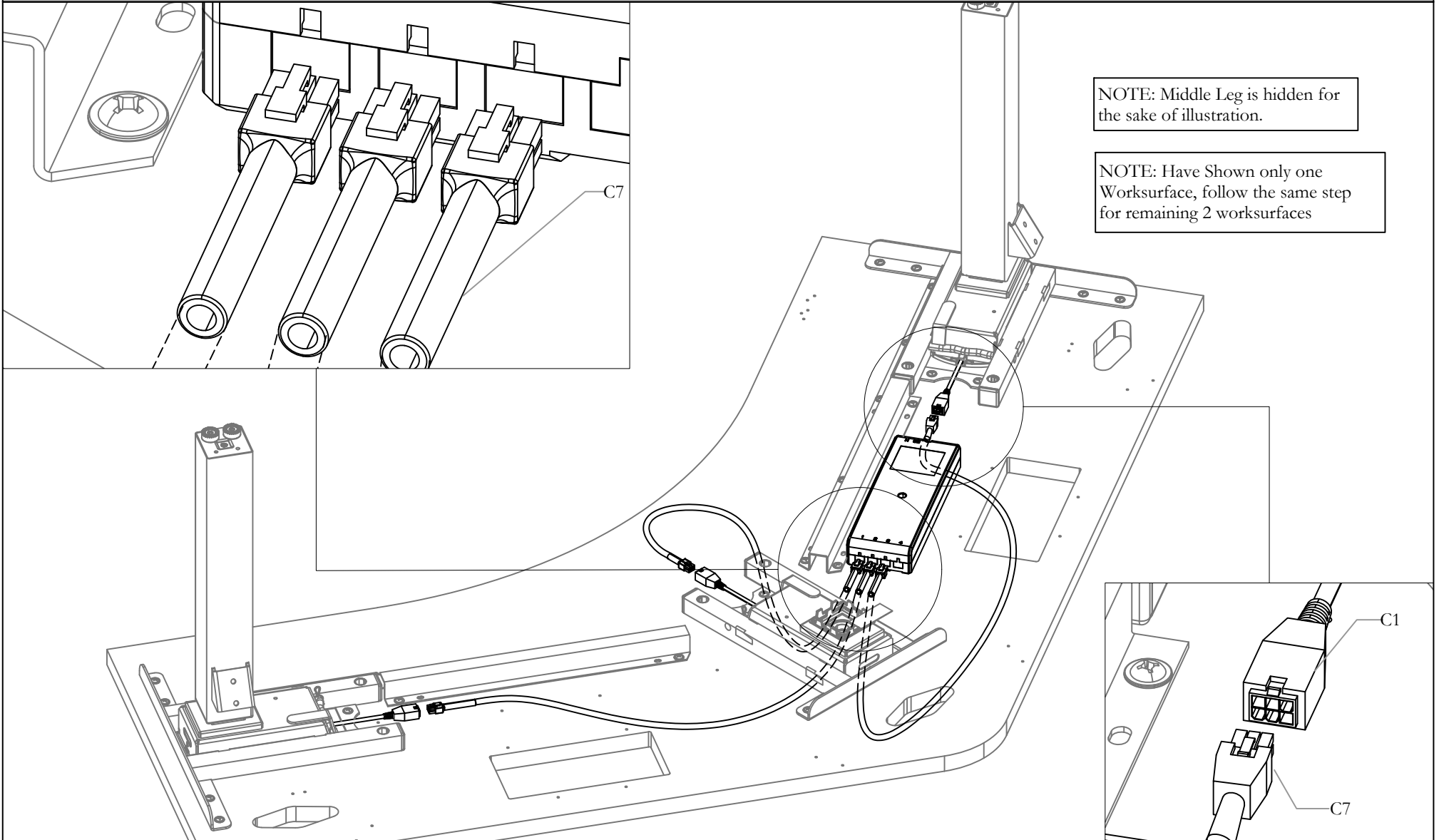


Section: **HEIGHT ADJUSTABLE BENCH**

Date: May 2023 Page No: 13 of 29  
HABH\_120

Description: **FRAME 120 HAB**

## ATTACH CONNECTOR



STEP 13: Attach the Control Box to the Legs using Hi-Space Motor Cable as shown

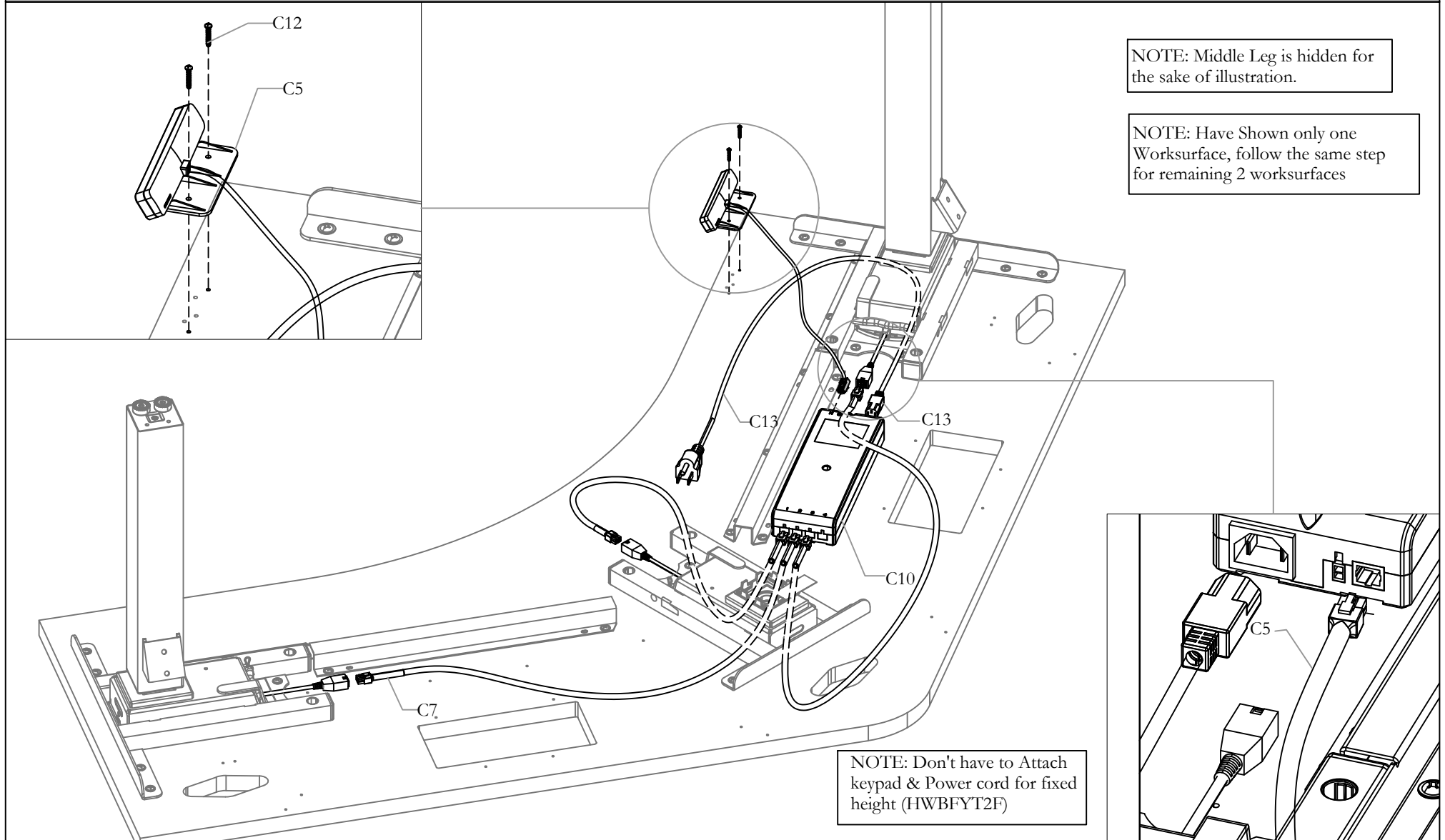
NOTE: Don't have to attach Control Box Fixed Height(HWBFYT2F)



Section: HEIGHT ADJUSTABLE BENCH  
Description: FRAME 120 HAB

Date: May 2023 Page No: 14 of 29  
HABH\_120

## ATTACH SWITCH AND POWER CORD



STEP 14A: Secure one Keypad to the Worksurface and Connect it to the appropriate Control Box Using attached cable. Attach Power cords to the Control box.

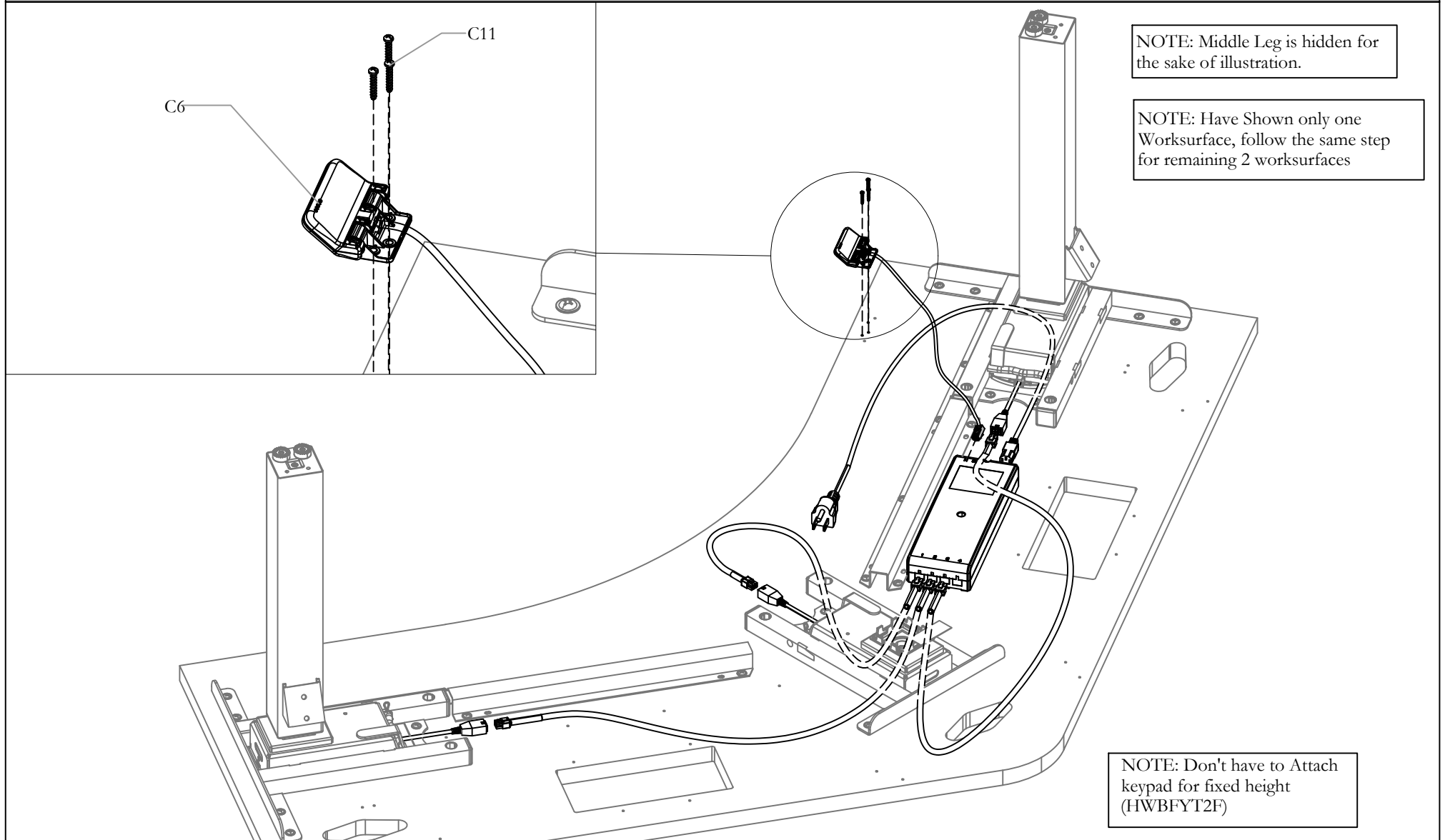
NOTE: Either Keypad or Toggle switch can be attached according to customer's need

Section: HEIGHT ADJUSTABLE BENCH

Date: May 2023 Page No: 15 of 29  
HABH\_120

Description: FRAME 120 HAB

## ATTACH SWITCH AND POWER CORD



STEP 14B: Secure one Keypad to the Worksurface and Connect it to the appropriate Control Box Using attached cable. Attach Power cords to the Control box.

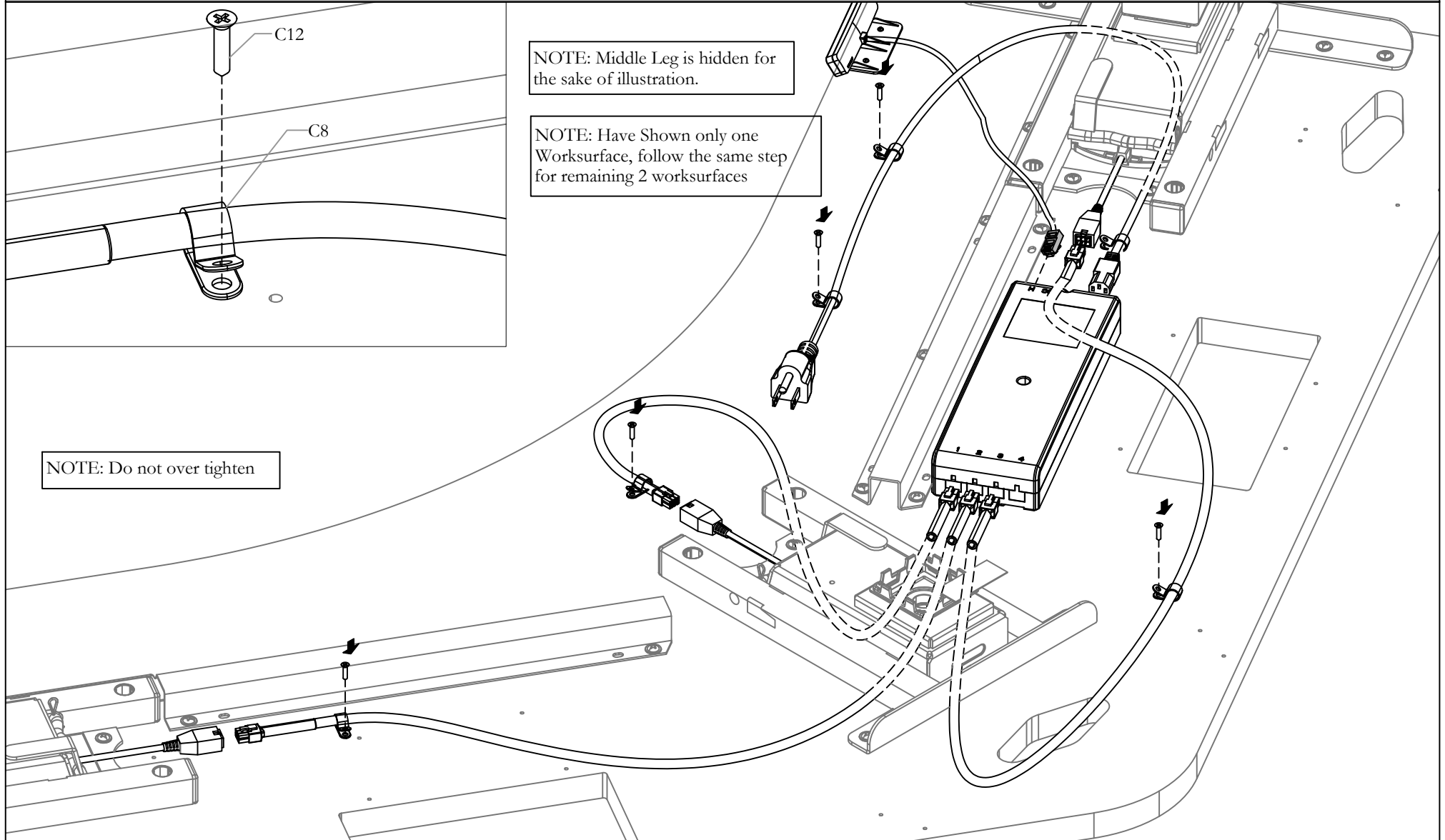
NOTE: Either Keypad or Toggle switch can be attached according to customer's need

Section: **HEIGHT ADJUSTABLE BENCH**

Date: May 2023 Page No: 16 of 29  
HABH\_120

Description: **FRAME 120 HAB**

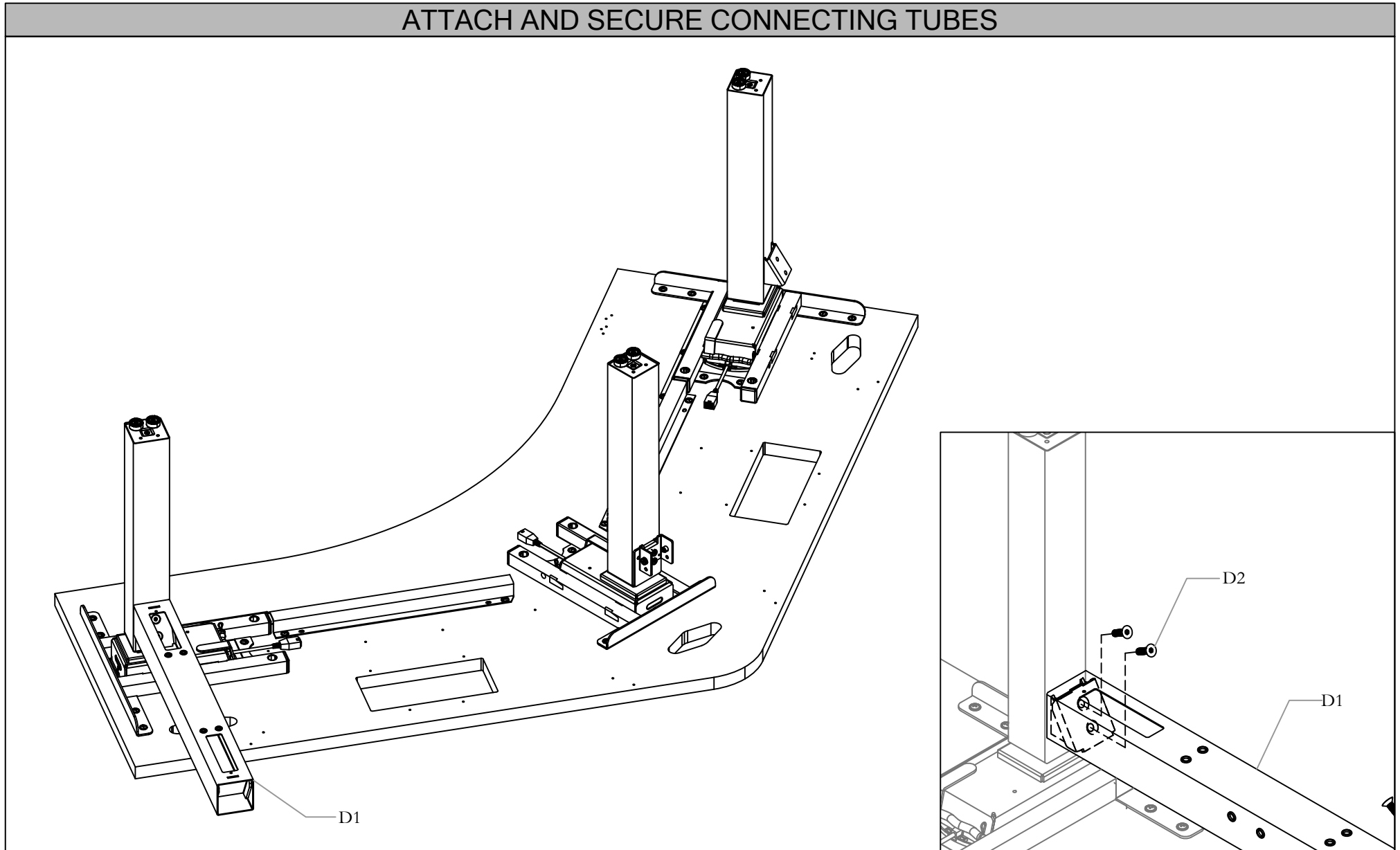
## SECURE LOOSE WIRE



STEP 15: Secure loose wire to Worksurface using Cable clamps

NOTE: Don't have to Secure loose wire for fixed height (HWBFYT2F)

ATTACH AND SECURE CONNECTING TUBES

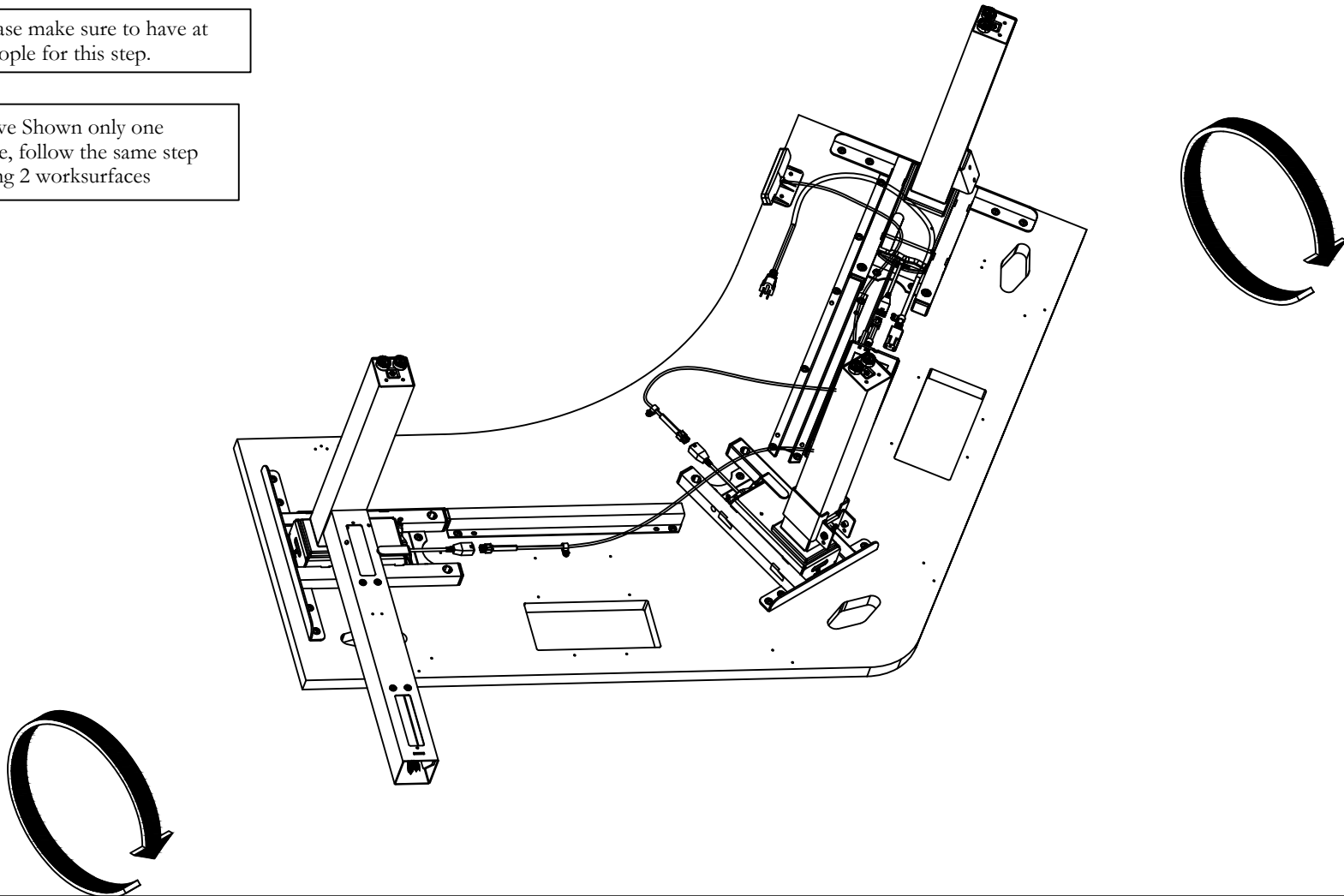


STEP 16A: Attach and Secure Connecting tube to one side of the Leg

## FLIP OVER TABLE

NOTE: Please make sure to have at least two people for this step.

NOTE: Have Shown only one Worksurface, follow the same step for remaining 2 worksurfaces



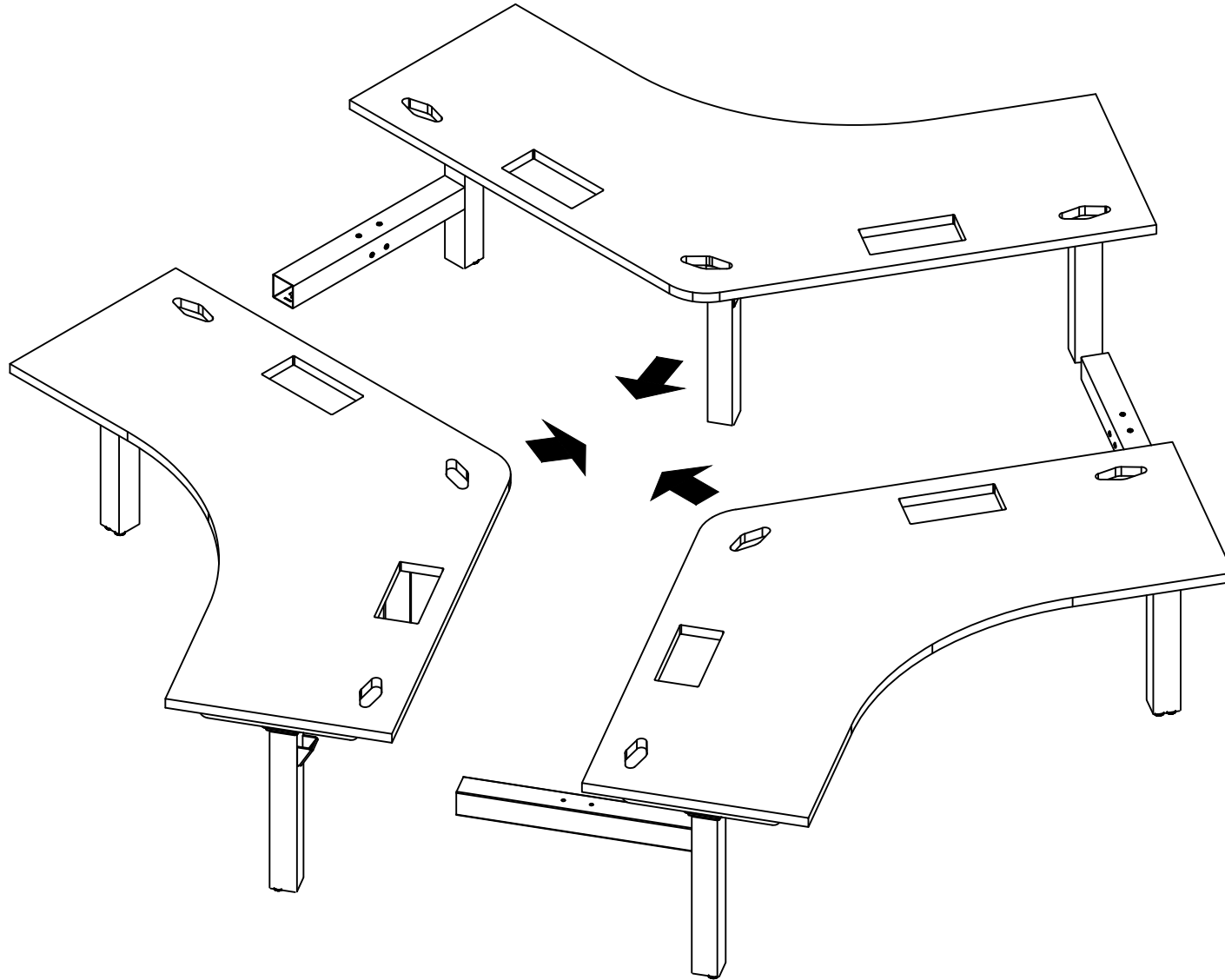
STEP 16B: Flip over the Table

Section: HEIGHT ADJUSTABLE BENCH

Date: May 2023 Page No: 19 of 29  
HABH\_120

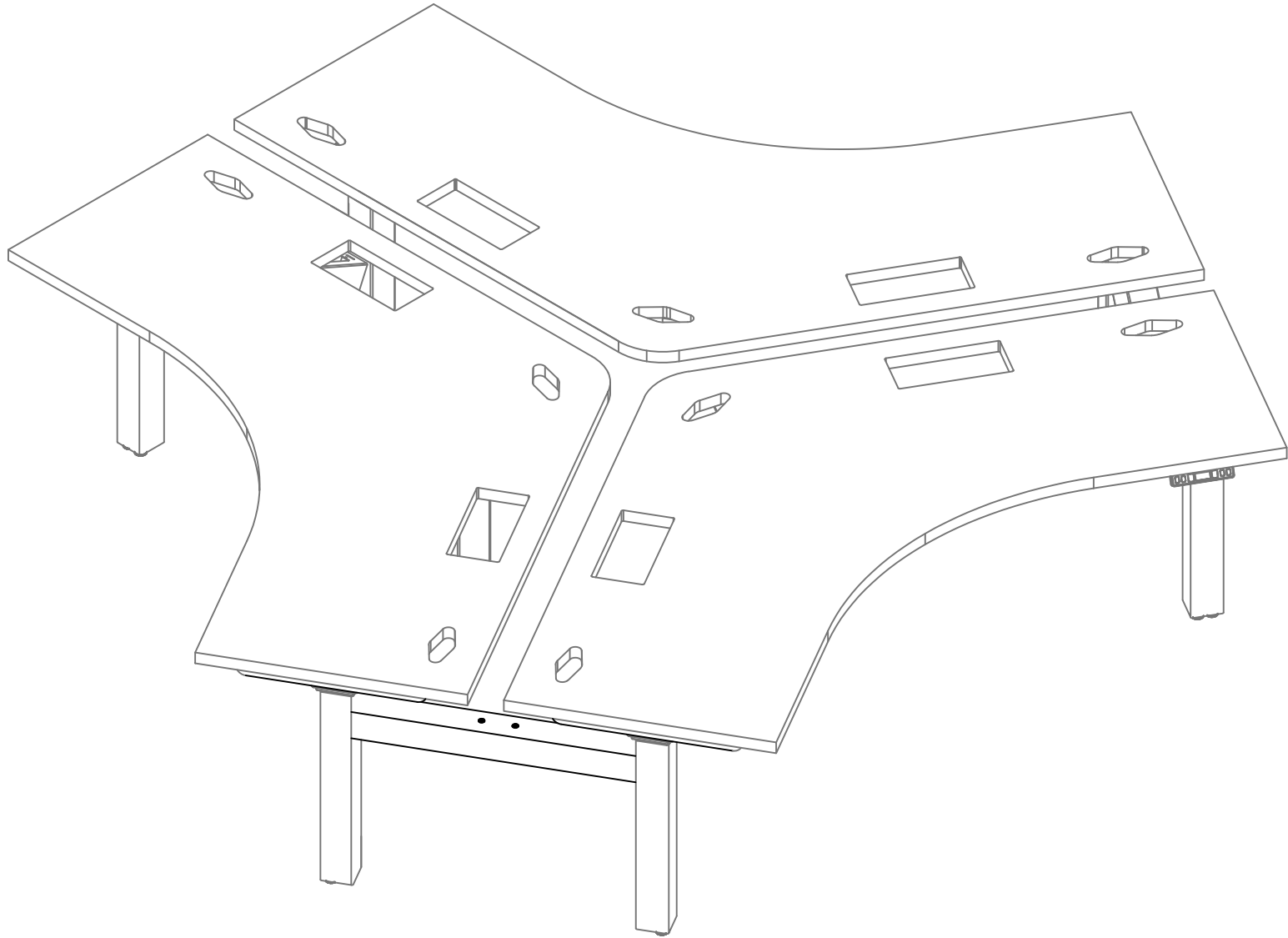
Description: FRAME 120 HAB

## ALIGN ALL 3 WORKSURFACE -1



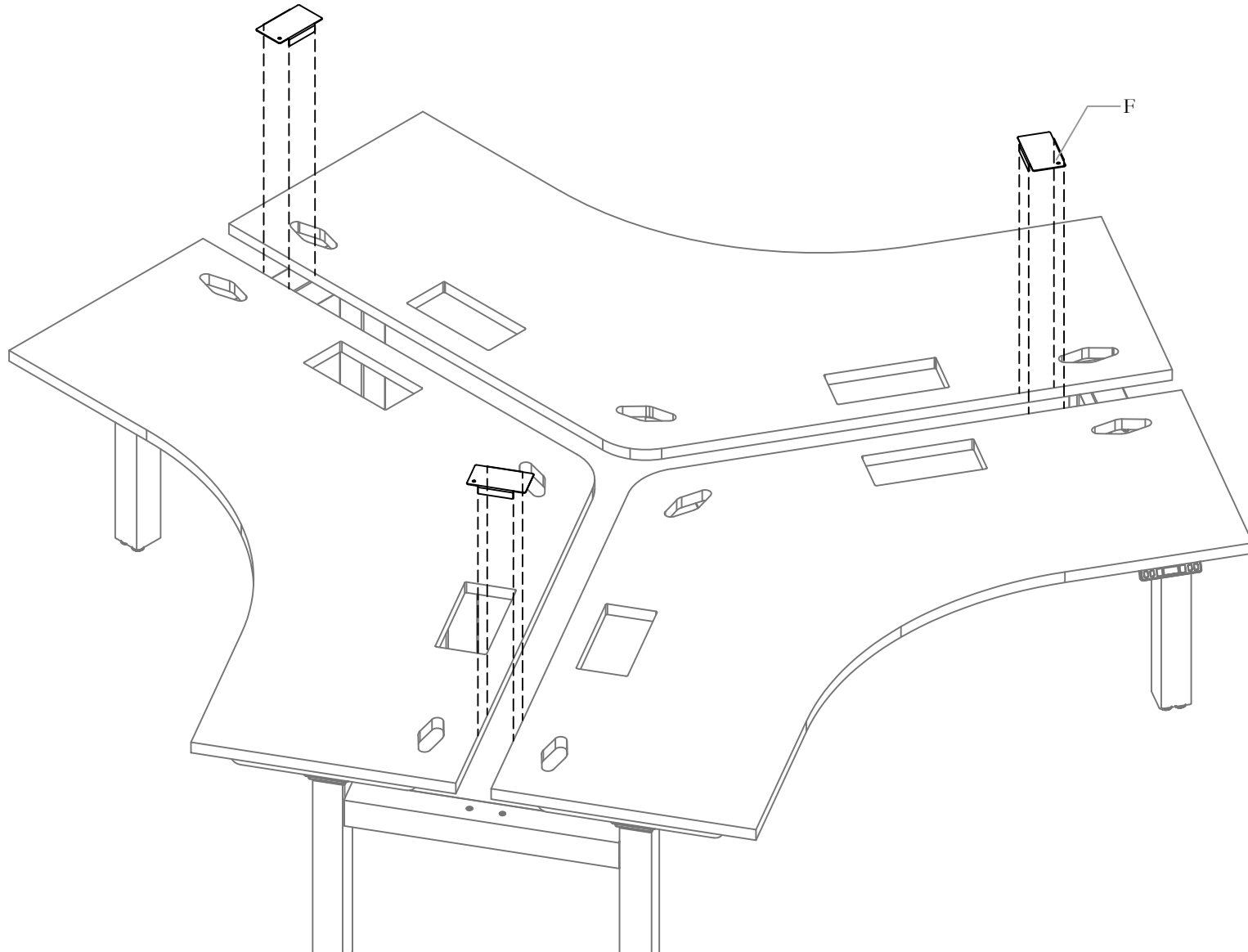
STEP 17: Bring all the 3 work surface together.

ATTACH FRAME CONNECTING TUBES



STEP 18: Attach frame connecting tube

INSERT ALIGNMENT KIT



STEP 19A: Place the Alignment brackets as shown



Section: **HEIGHT ADJUSTABLE BENCH**

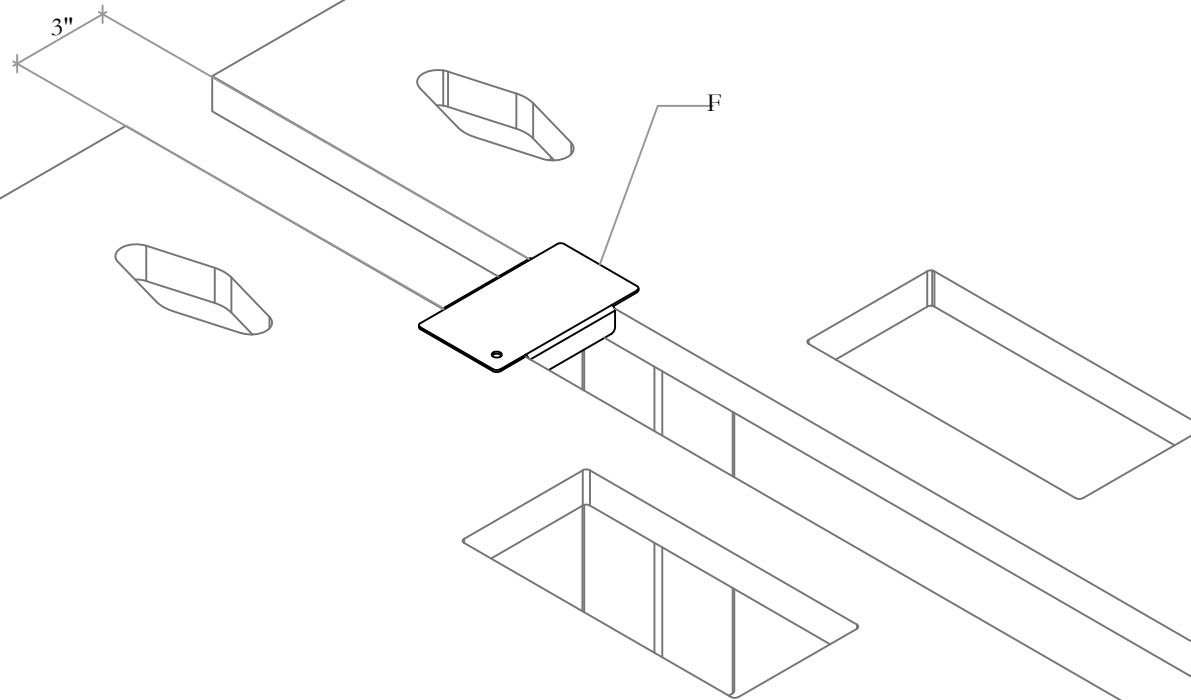
Date: May 2023 Page No: 22 of 29  
HABH\_120

Description: **FRAME 120 HAB**

## ALIGN WORKSURFACES

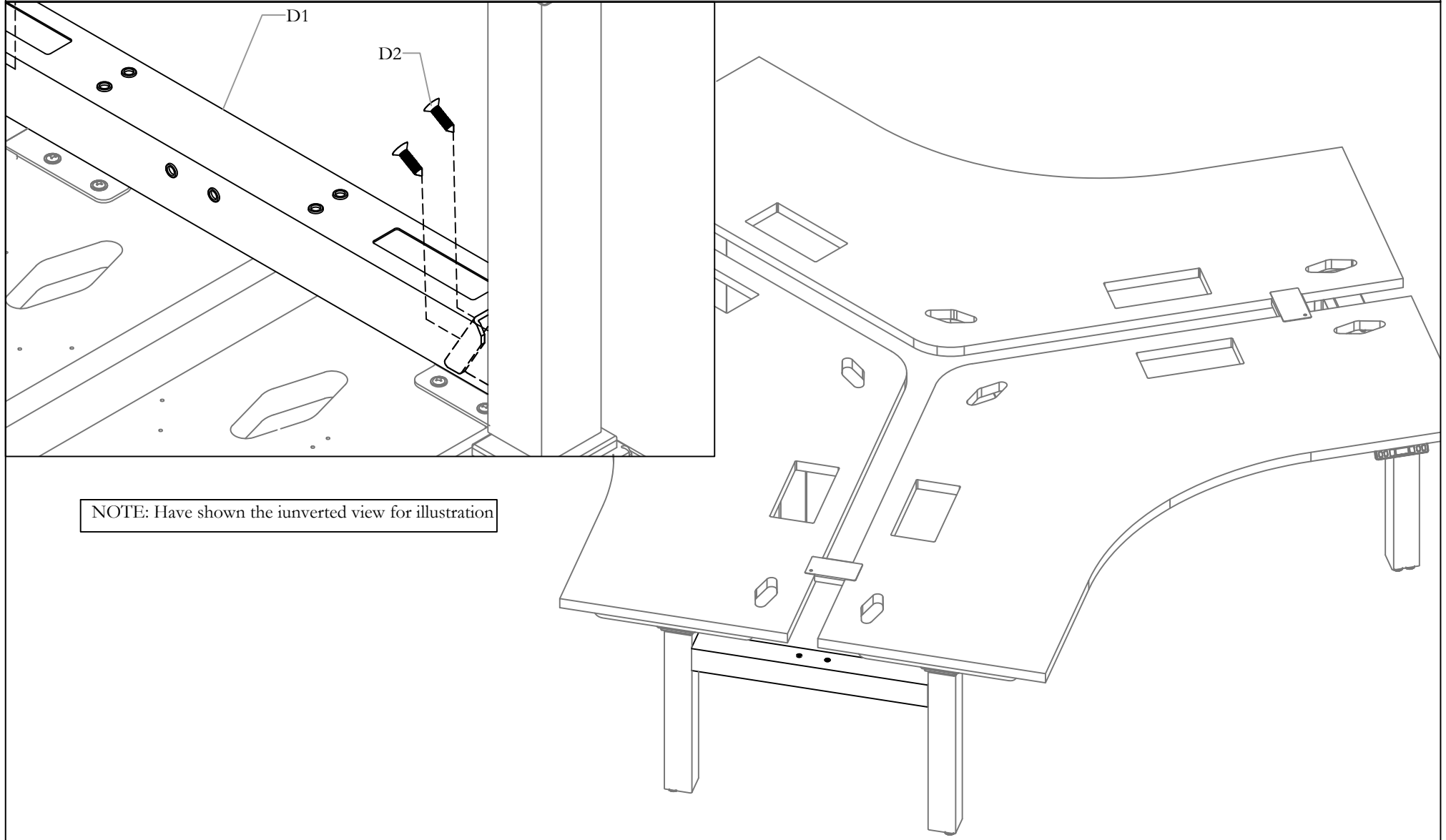
NOTE: Make sure the distance between Worksurfaces is equal on both ends.

NOTE: Sides of the Worksurface should be aligned



STEP 19B : Use the Alignment brackets to ensure the correct distance between Wroksurfaces

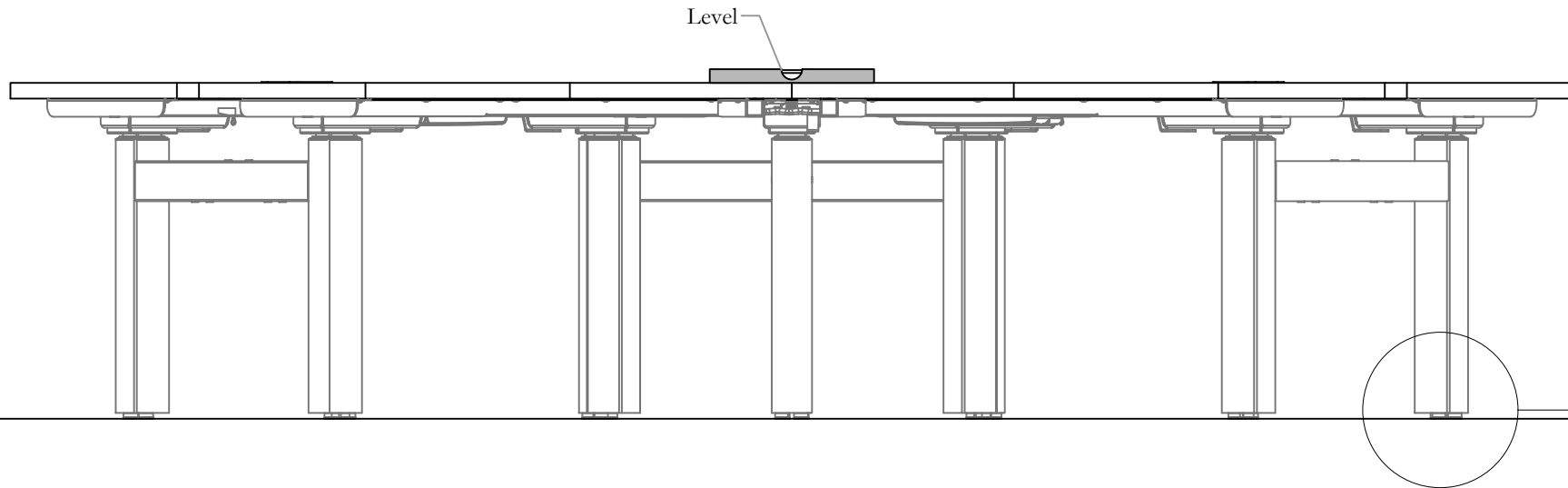
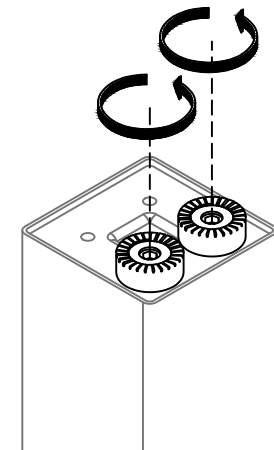
SECURE FRAME CONNECTING TUBES



STEP 20: Secure Frame Connecting Tubes.

## ROUGH LEVELLING

NOTE: Have shown the iunverted view for illustration



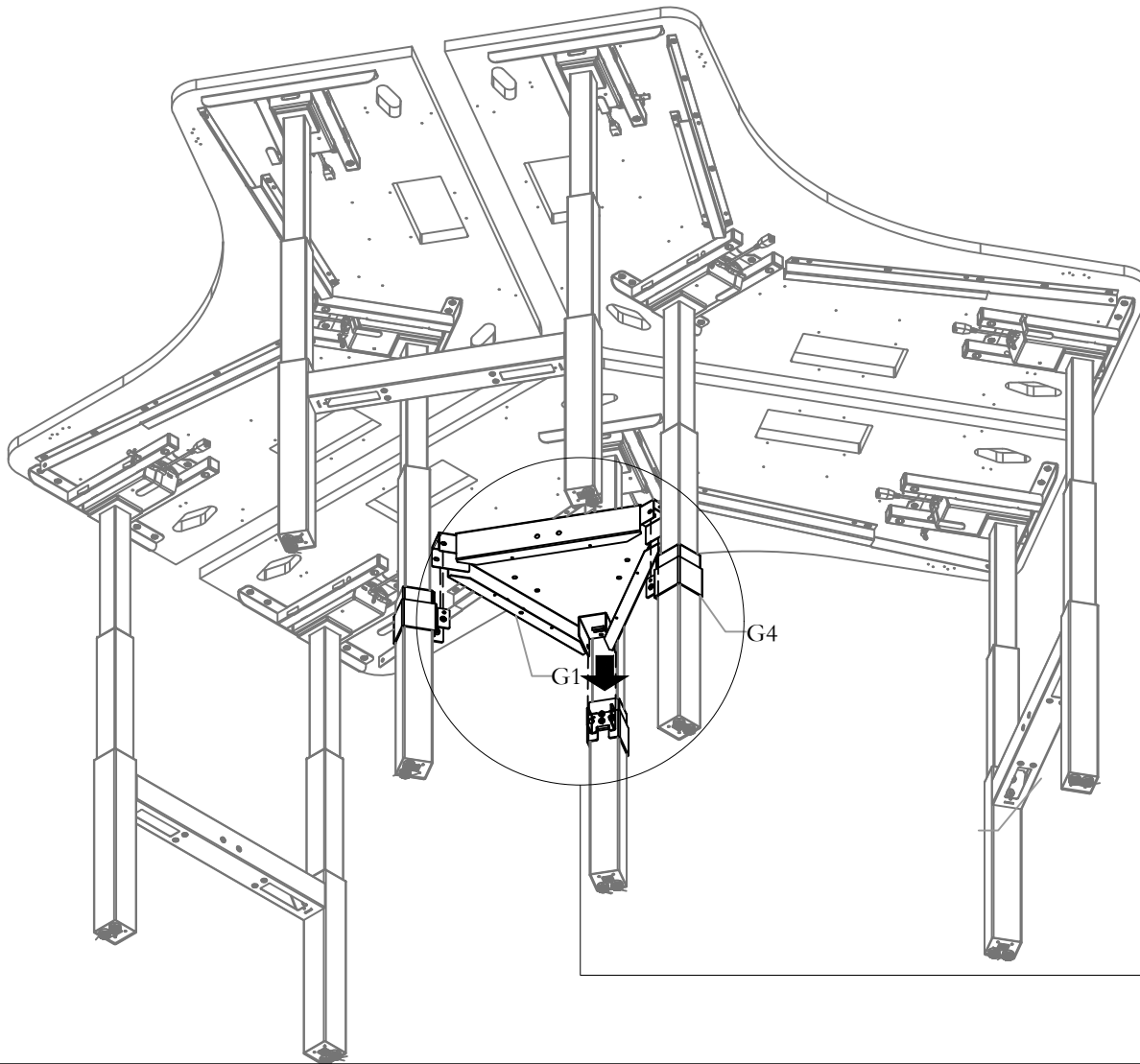
STEP 21: Ensure bench is level. Rotate Levellers as needed to adjust height. This step will be repeated after base link is installed

Section: HEIGHT ADJUSTABLE BENCH

Date: May 2023 Page No: 25 of 29  
HABH\_120

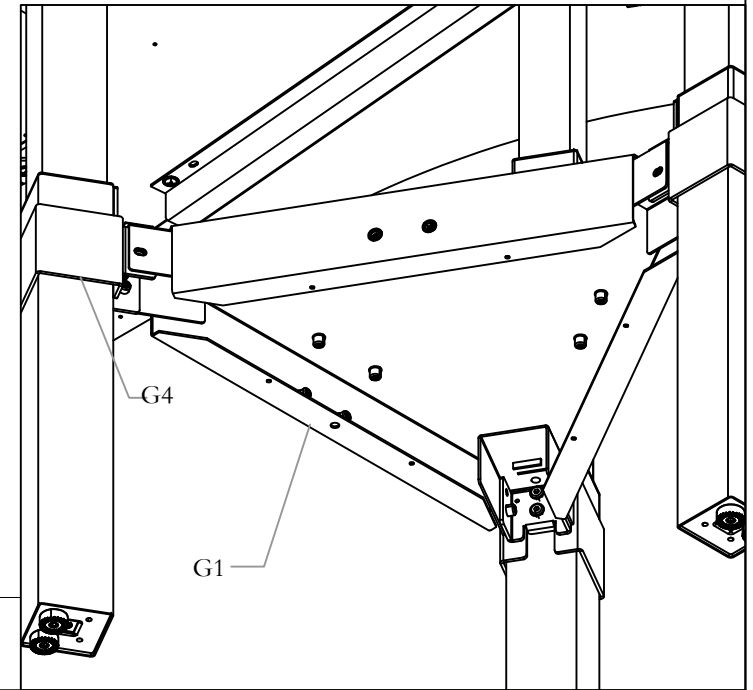
Description: FRAME 120 HAB

## ATTACH FRAME LINK ASSEMBLY



NOTE: Wire Bridge mounting Plate and Cable Riser Mounting Plate is attached to Frame link assembly before attaching

NOTE: Worksurfaces are risen by extending the legs (N01-7983)

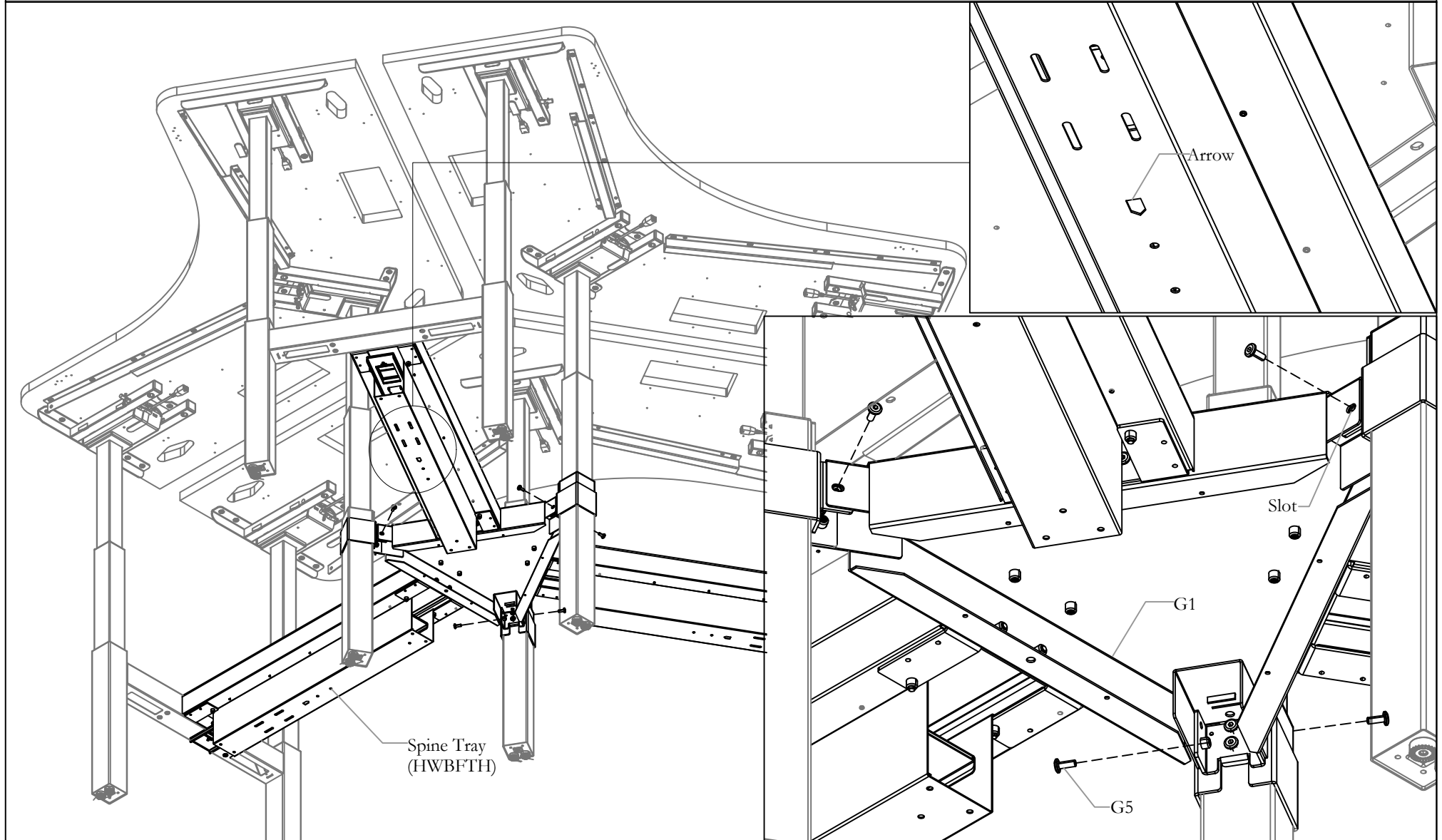


STEP 22A: Rise the worksurface and Attach the Frame Link Assembly to the frame

Section: HEIGHT ADJUSTABLE BENCH  
Description: FRAME 120 HAB

Date: May 2023 Page No: 26 of 29  
HABH\_120

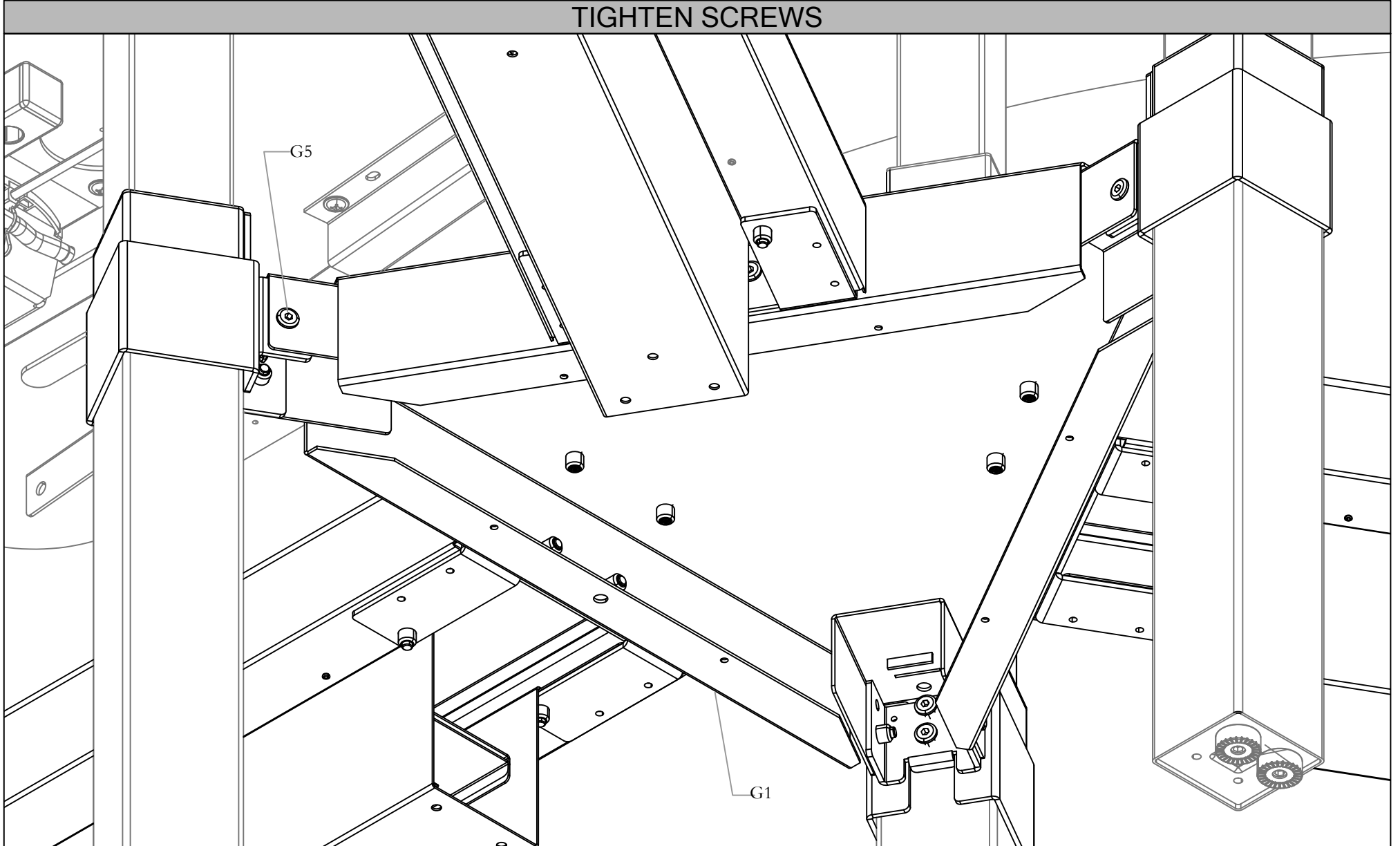
PLACE THE SCREWS AND SECURE THE SPINE TRAY



STEP 22B: Place the screw (E01-1409) in the slots of the Frame link Assembly, Don't tighten the screw, just place the screws in the slot. Install the Double-Sided Spine tray to Frame link assembly

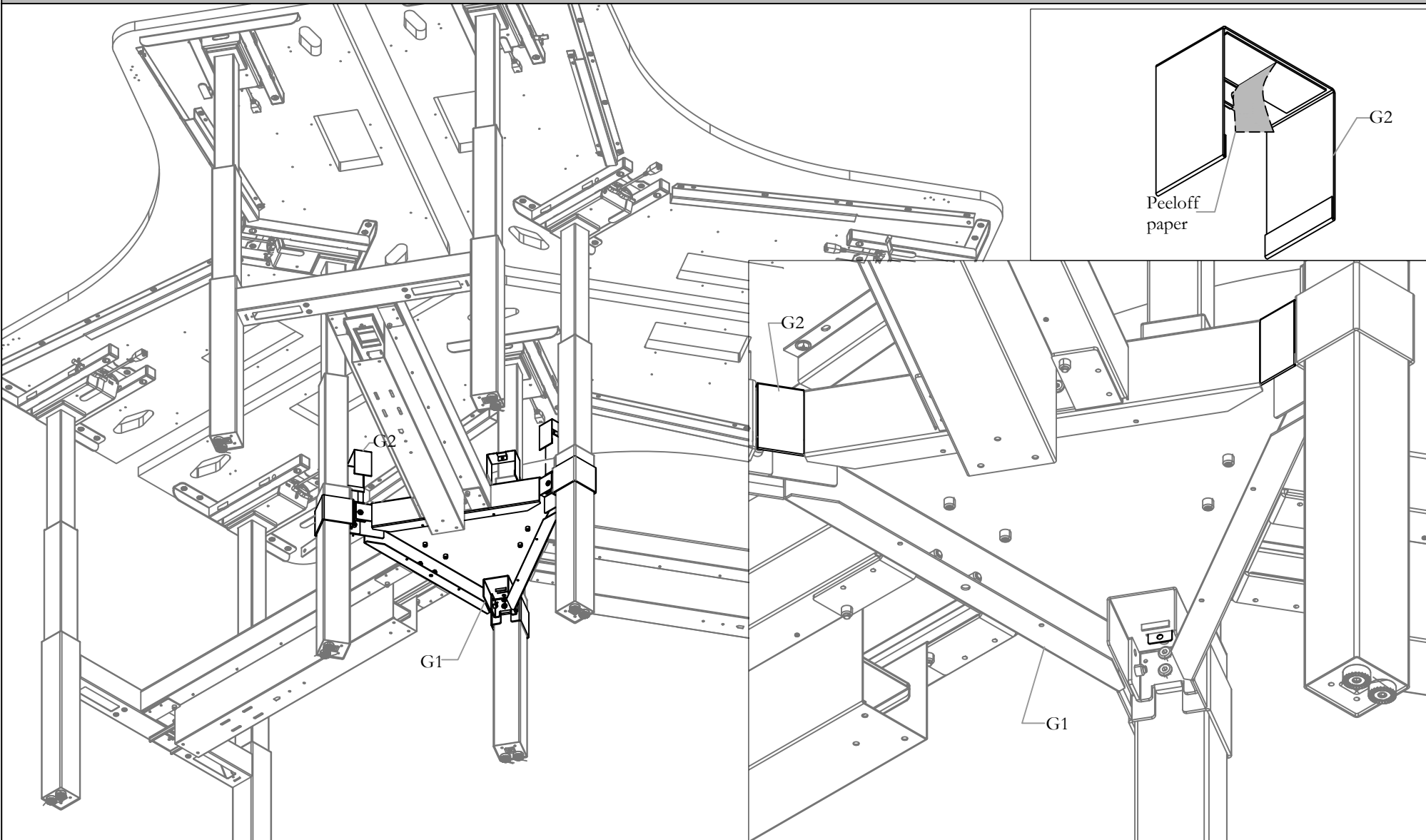
NOTE: The arrow on the Spine Tray should always face to the center

TIGHTEN SCREWS



STEP 23: Tighten Screws to secure the frame link assembly

PLACE ARM COVER ASSEMBLY



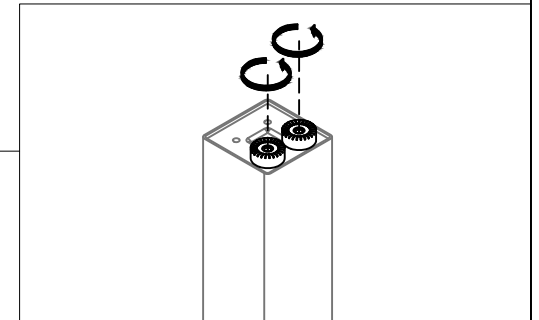
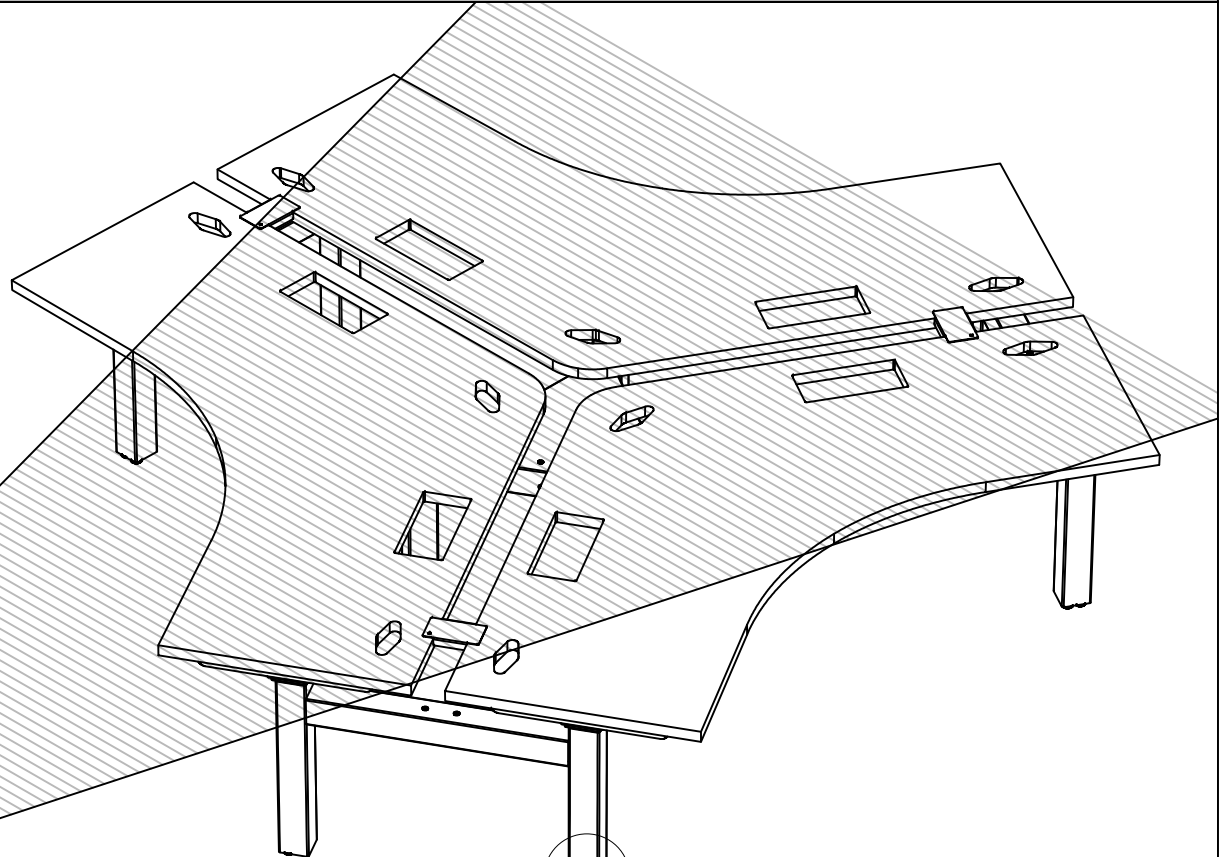
STEP 24: Peel off the paper from the tape attached to the cover and place arm cover assembly in position

## LEVELLING BENCH-FINAL ADJUSTMENT

NOTE: It is recommended to use a laser level tool to check final alignment.

NOTE: The unit must be levelled at the exact location of use.

Laser Level



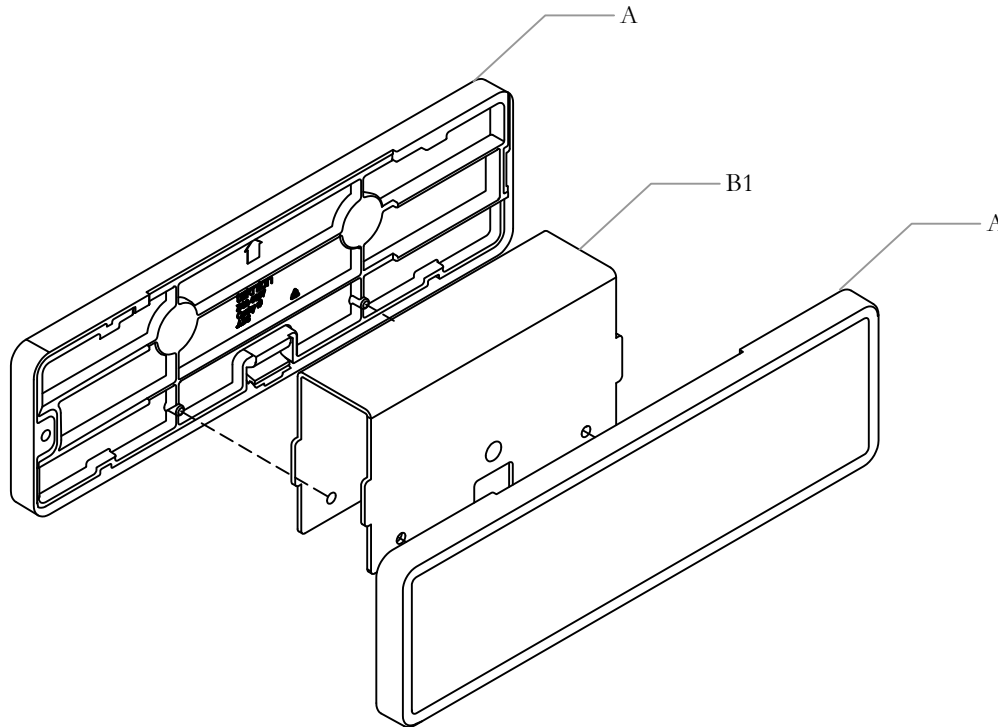
STEP 25: Repeat Step 21 to ensure entire Bench is level for both Width and Depth.



Section: **HEIGHT ADJUSTABLE BENCH**

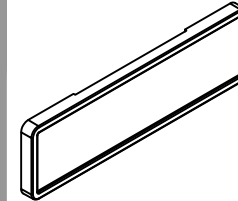
Description: **WORKSTATION NAMEPLATE**

Workstation Nameplate (HWBANP)



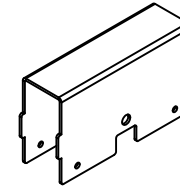
NOTE: Instruction for switching between whiteboard and printed inserts and for more product information is in the Instruction sheet (L04-0814)

Part and Product Identification

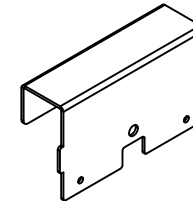


**A** - Nameplate Assy  
(N01-7799) x 1 or 2

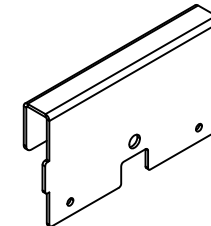
Nameplate hanging Bracket



**B1** - Nameplate Hanging Bracket  
for double sided screen  
(N01-7993) x 1



**B2** - Nameplate Hanging Bracket  
for Single sided screen  
(N01-7994) x 1



**B3** - Nameplate Hanging Bracket  
for Felt screen  
(A16-11197) x 1

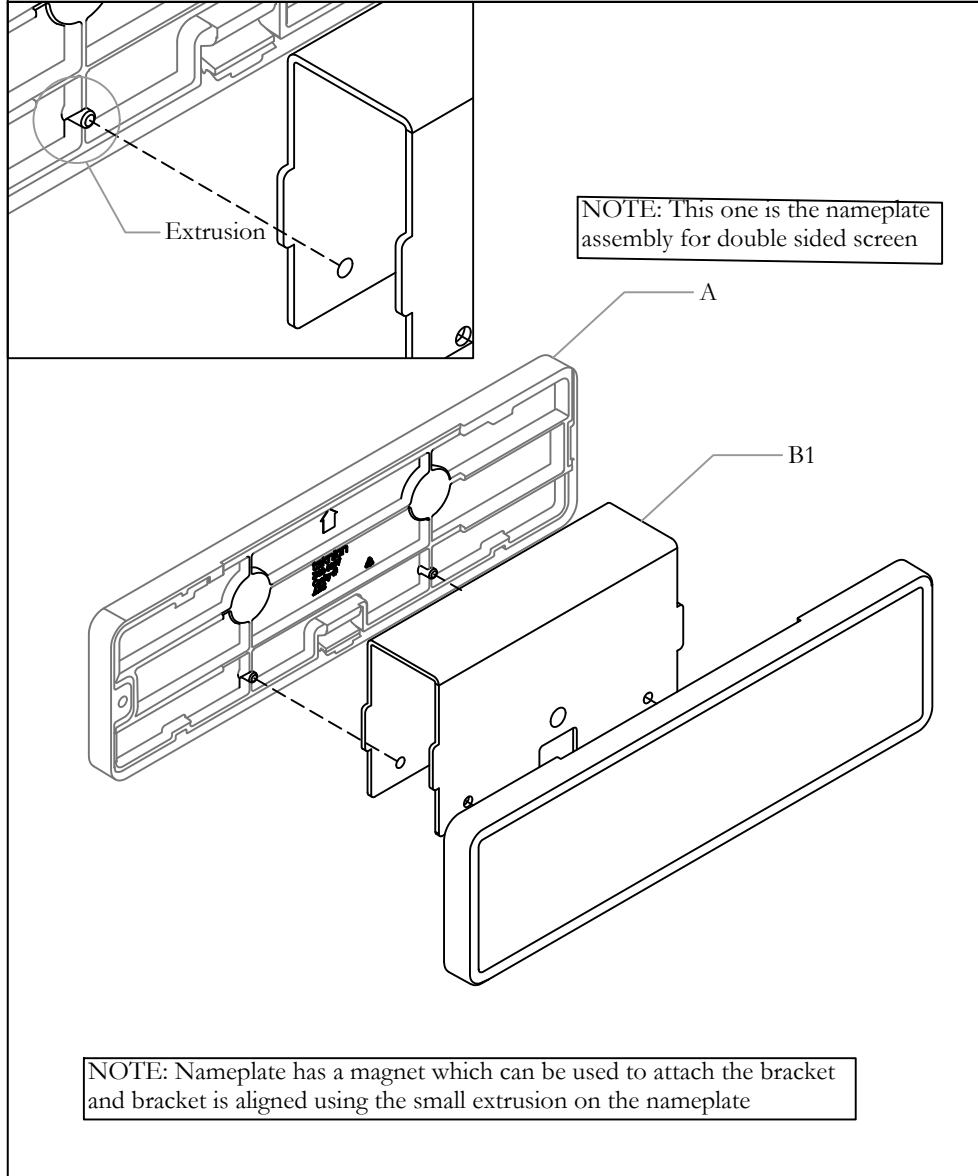
Instruction sheet (L04-0814)x1

NOTE: Anyone of the brackets is used according to the choice of the screen.

Section: **HEIGHT ADJUSTABLE BENCH**

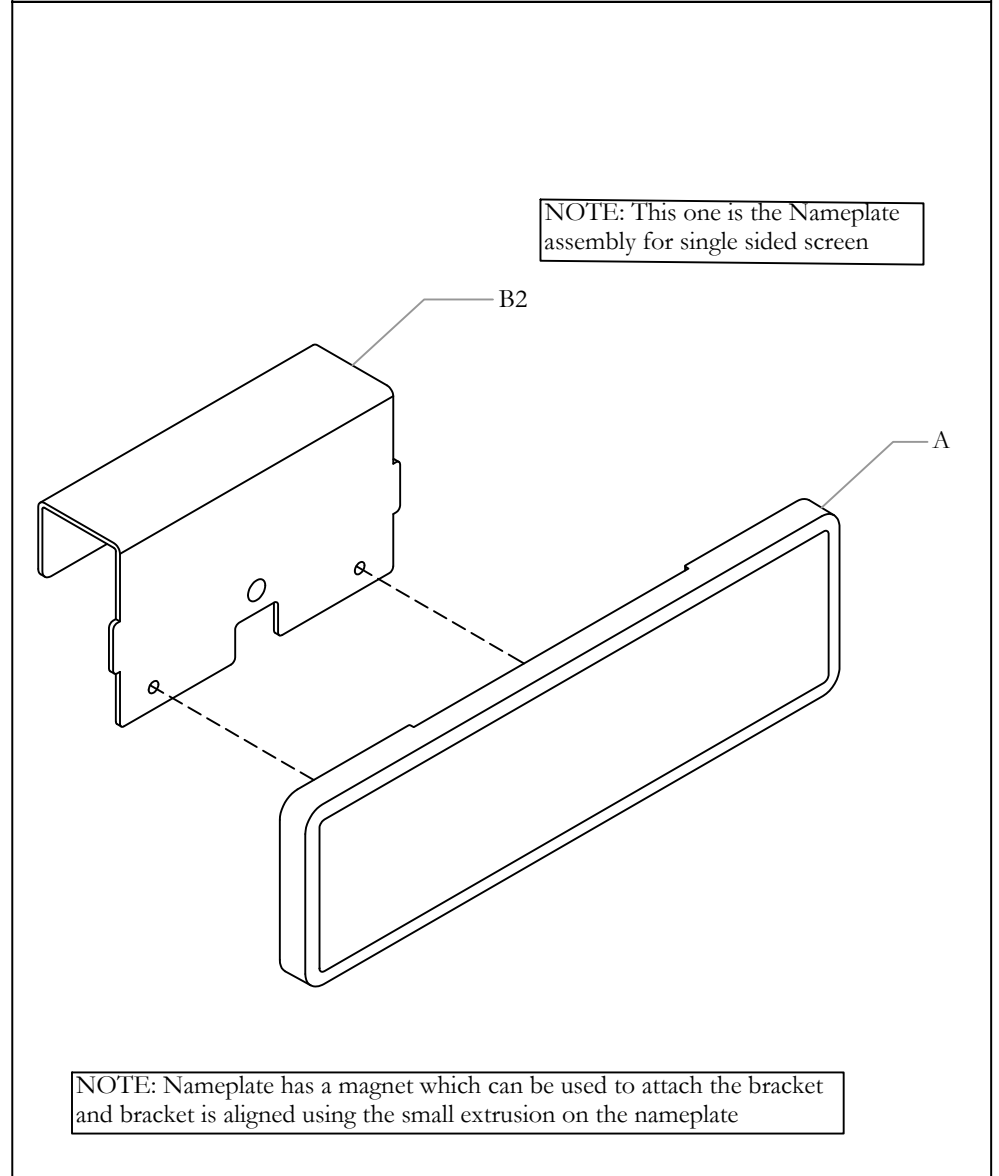
Description: **WORKSTATION NAMEPLATE**

**ATTACH HANGING BRACKET**



STEP 1: Attach Nameplate to the Nameplate Hanging Bracket on Both the Sides

**ATTACH HANGING BRACKET**

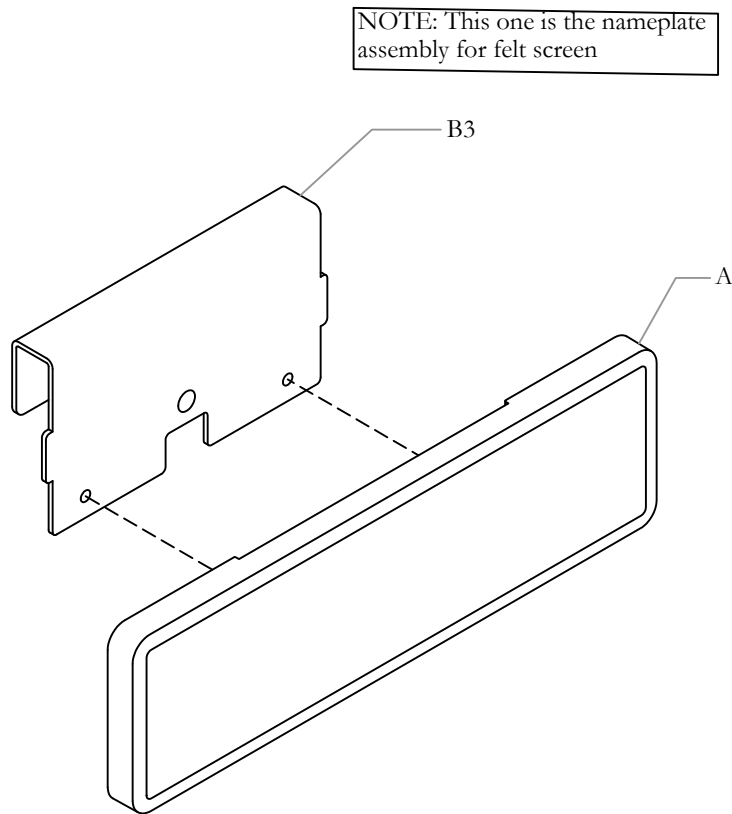


STEP 1A: Attach Nameplate to the Nameplate Hanging Bracket

Section: **HEIGHT ADJUSTABLE BENCH**

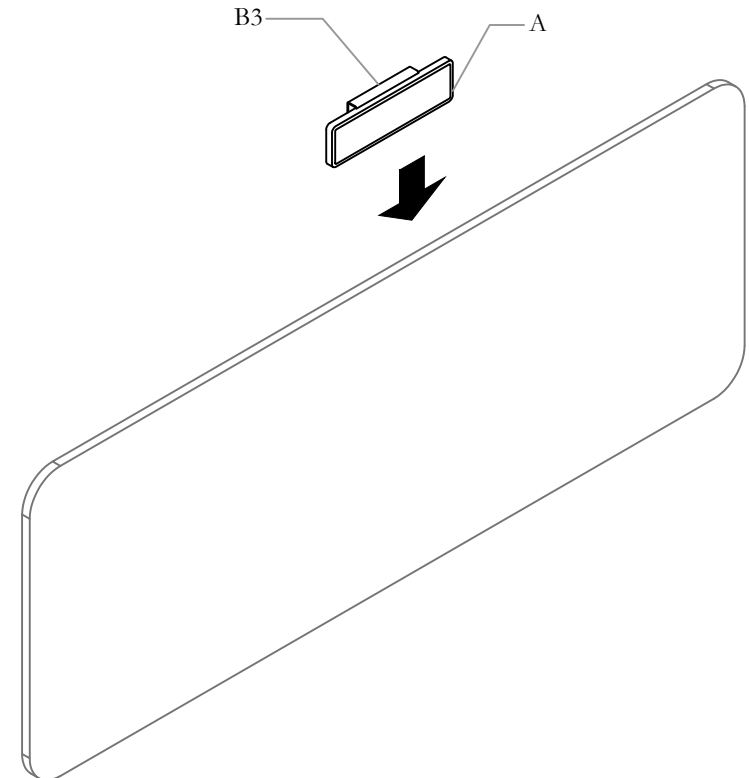
Description: **WORKSTATION NAMEPLATE**

**ATTACH HANGING BRACKET**



STEP 1B: Attach Nameplate to the Nameplate Hanging Bracket

**ATTACH NAMEPLATE ASSY TO FELTSCREEN**



STEP 2: Attach nameplate assembly to the screen

Section: **HEIGHT ADJUSTABLE BENCH**

Description: **WORKSTATION NAMEPLATE**

**NAMEPLATE CUSTOMIZATION AND USER GUIDE**

Scan QR code below or visit <https://www.teknion.com/workstation-nameplate> to download templates for nameplate customization, user guide for switching between whiteboard and printed inserts and for more product information.



NOTE: Instruction for switching between whiteboard and printed inserts and for more product information is in the Instruction sheet (L04-0814)

# height-adjustable bench *Installation Guides*

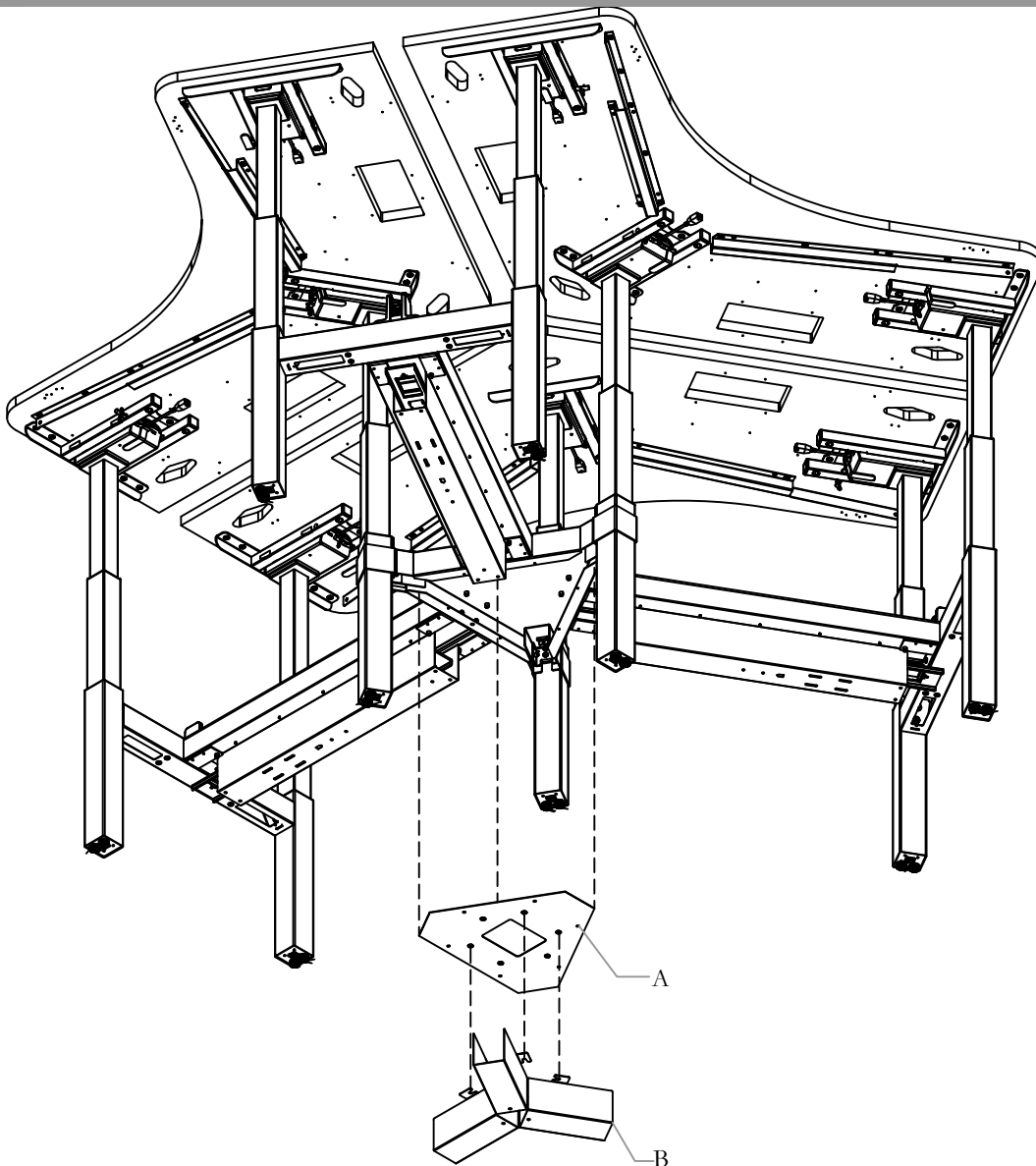
Section: HEIGHT ADJUSTABLE BENCH

Description: 120 WIRE BRIDGE

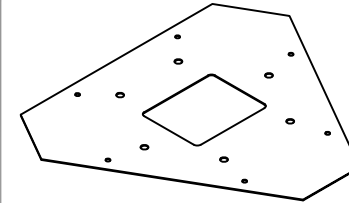
teknion

Date: Sept 2022 Page No: 1 of 4  
HABH\_122 Rev. No: 0

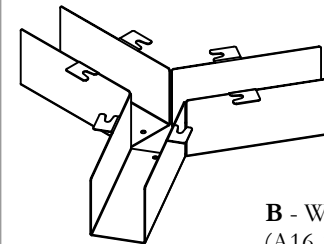
## 120 Wire Bridge (HWBEWT)



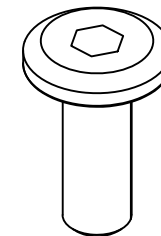
## Part and Product Identification



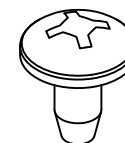
**A** - Wire Bridge Mounting Plate  
Assy, 120  
(N01-7566) x 1



**B** - Wire Bridge, 120  
(A16-10909) x 1



**C** - MK\_M6x1.0x16mm\_ST\_ZN  
\_MH\_SK  
(E01-1409) x 6



**D** - ST-#10-32x0.375\_NI\_TS\_QD  
(E07-0084) x 6

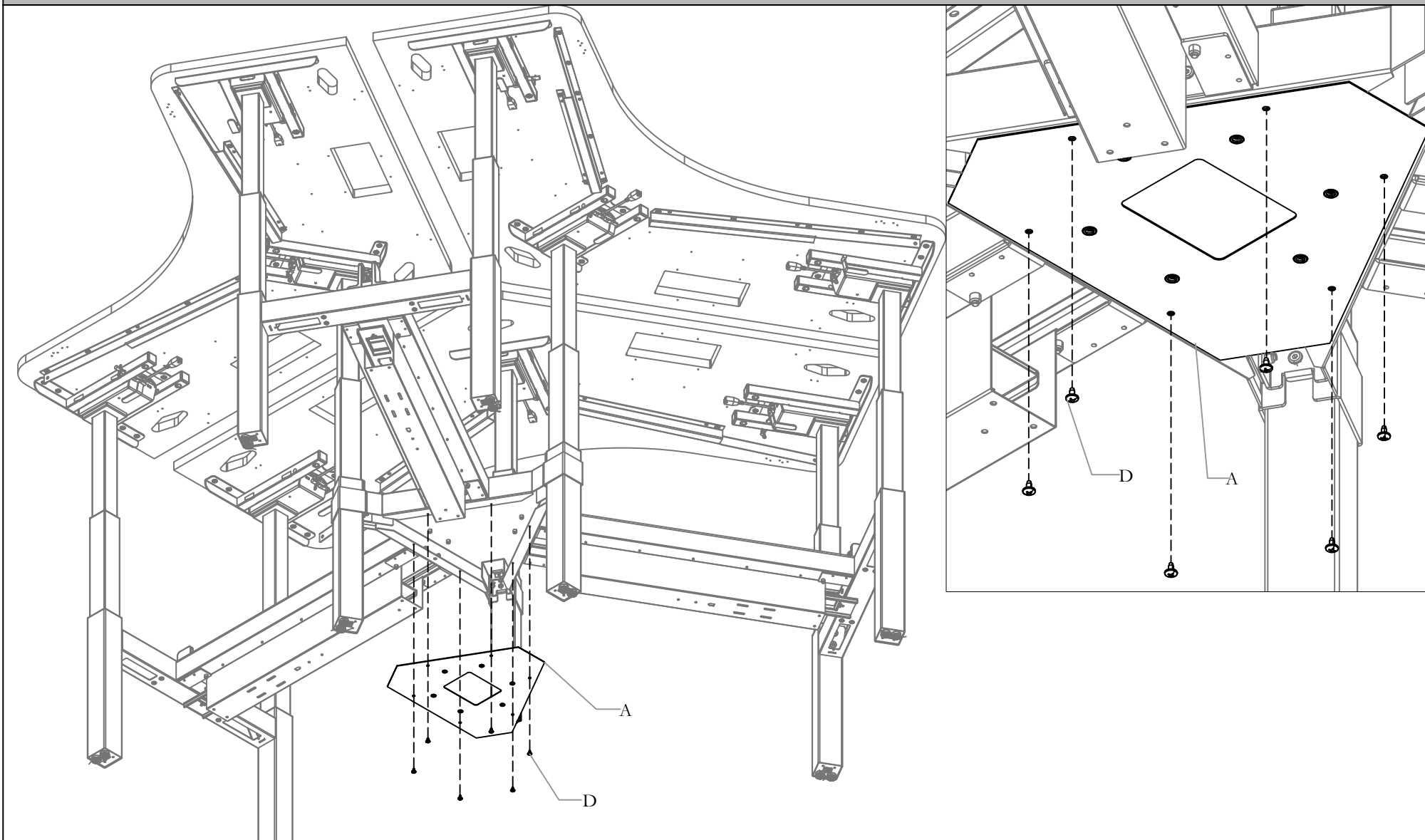
NOTE: Mounting Plate- A is assembled to the Frame link Assembly (N07-7481), refer HABH\_120 install guide

Section: HEIGHT ADJUSTABLE BENCH

Date: Sept 2022 Page No: 2 of 4  
HABH\_122

Description: 120 WIRE BRIDGE

## ATTACH WIRE BRIDGE MOUNTING PLATE



STEP 1: Attach Wire Bridge Mounting Plate to Frame Link Assembly (N01-7481).

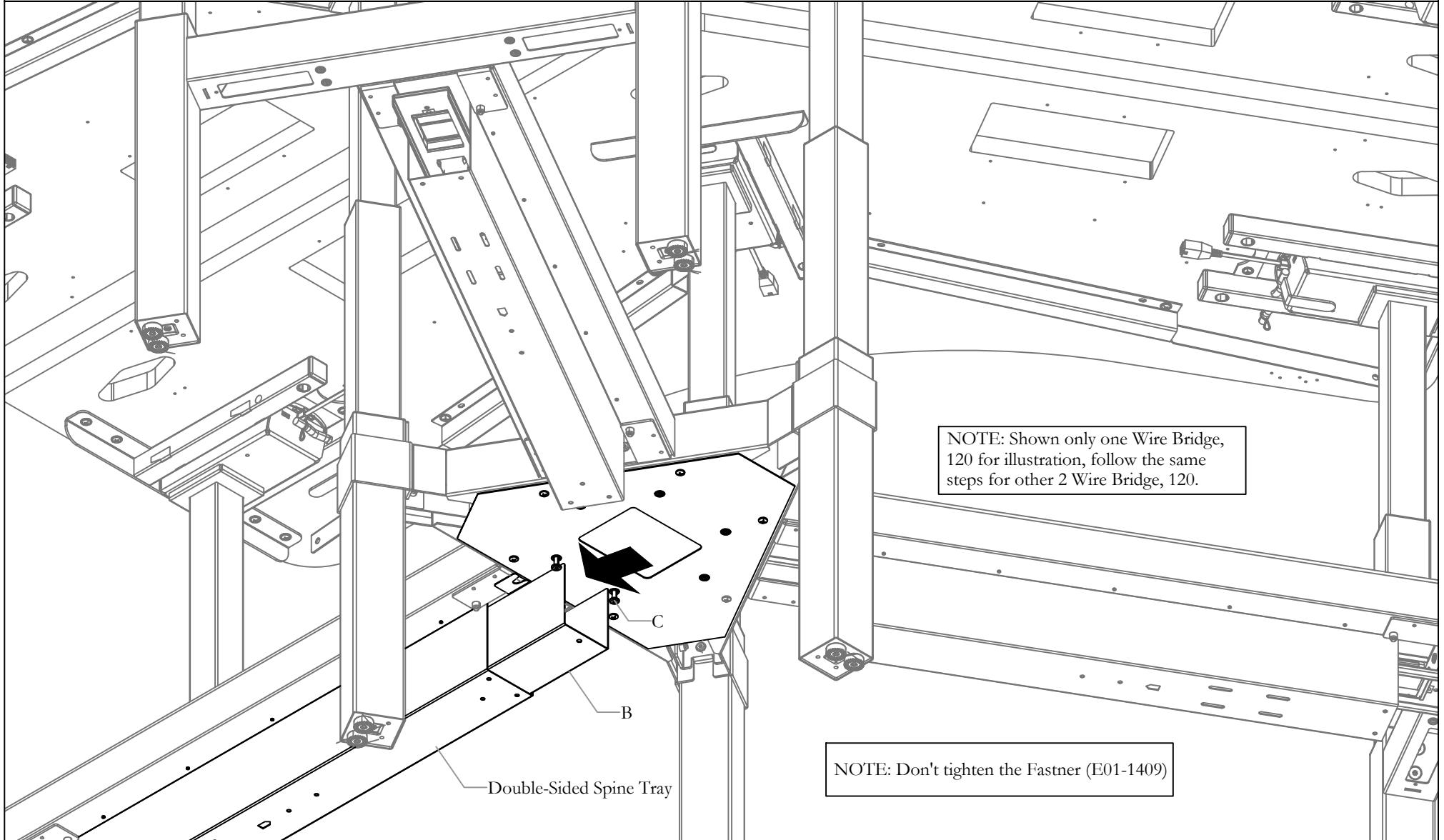
NOTE: Similar step can be used for both Fixed (HWBFYT2F) and Height Adjustable Bench (HWBFYT9E).

Section: HEIGHT ADJUSTABLE BENCH

Date: Sept 2022 Page No: 3 of 4  
HABH\_122

Description: 120 WIRE BRIDGE

ATTACH WIRE BRIDGE, 120



STEP 2A: Insert the Wire Bridge into the Double-Sided Spine tray and place fastener (E01-1409) in the Mounting Plate (N01-7566)

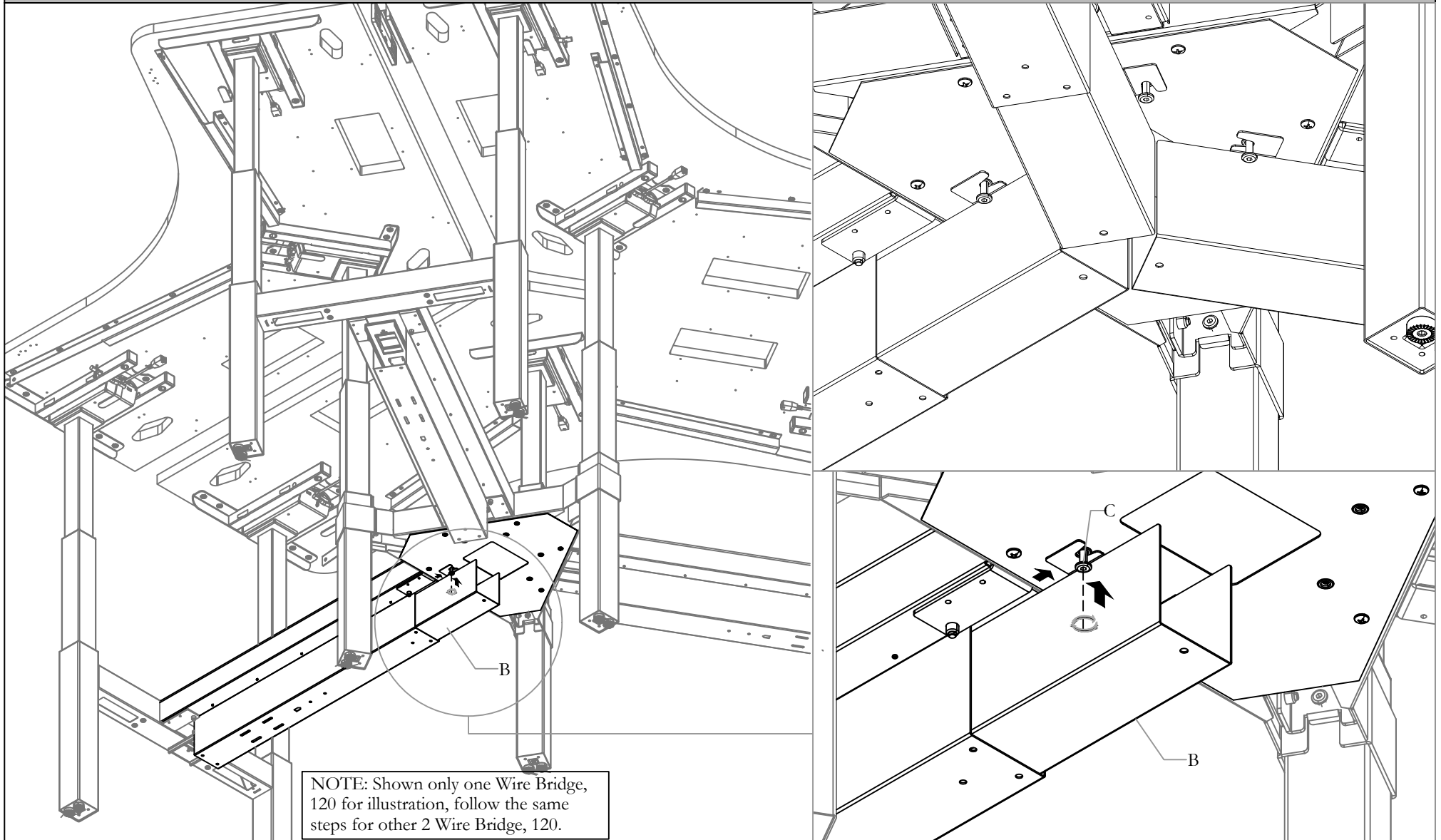
NOTE: Similar step can be used for both Fixed (HWBFYT2F) and Height Adjustable Bench (HWBFYT9E)

Section: HEIGHT ADJUSTABLE BENCH

Date: Sept 2022 Page No: 4 of 4  
HABH\_122

Description: 120 WIRE BRIDGE

SECURE WIRE BRIDGE



STEP 2A: Slide the Wire Bridge into the Fastner (E01-1409) using the groove provided in the Wire bridge and secure the Wire bridge

NOTE: Similar step can be used for both Fixed (HWBFYT2F) and Height Adjustable Bench (HWBFYT9E)



# height-adjustable bench *Installation Guides*

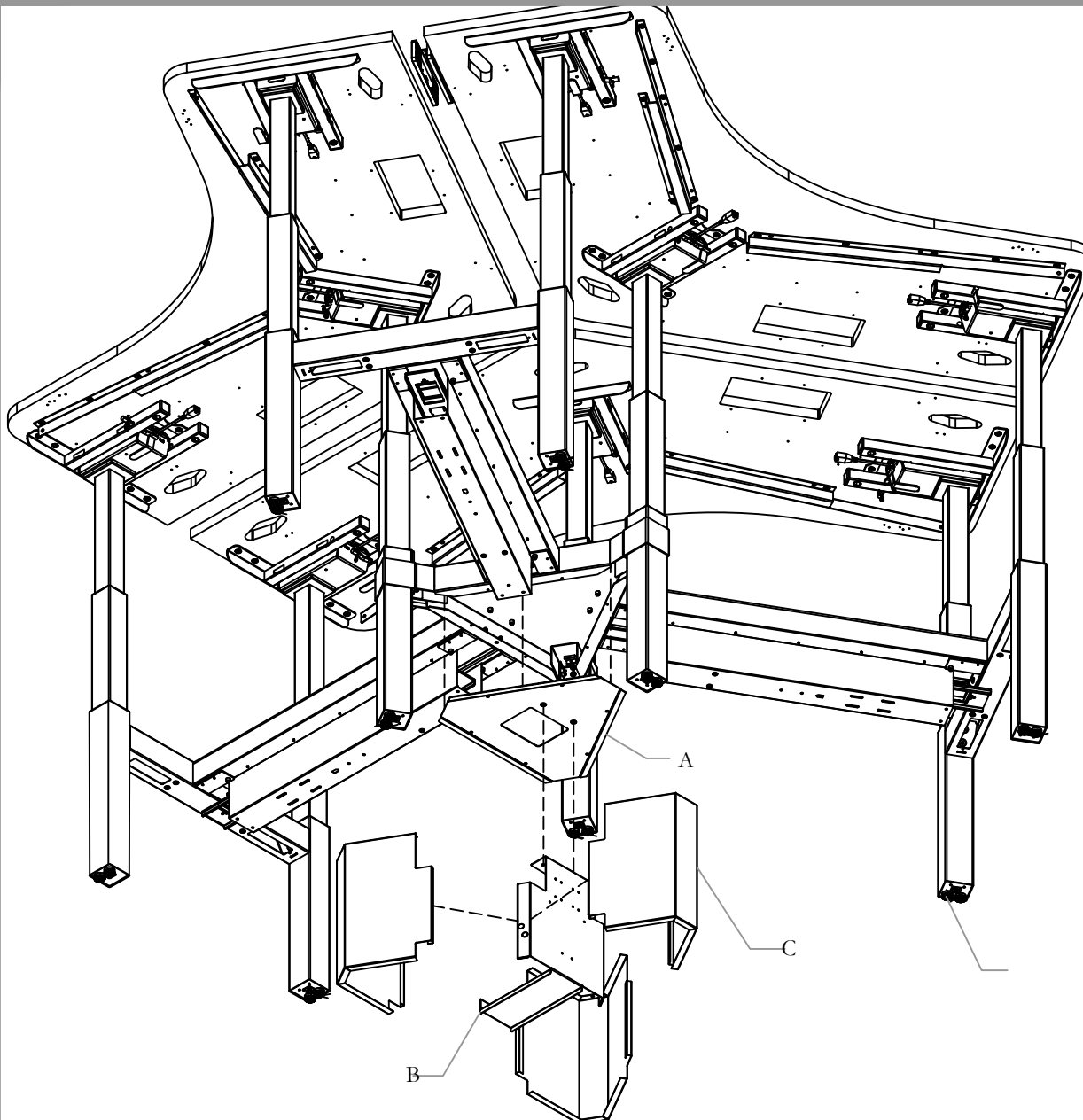
Section: **HEIGHT ADJUSTABLE BENCH**

Description: **CABLE RISER, 120**

teknion

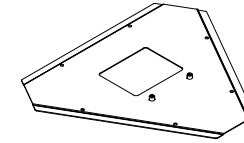
Date: Oct 2022 Page No: 1 of 5  
HABH\_123 Rev. No: 0

## 120 Cable Riser- Mid Riser (HWBECMT)

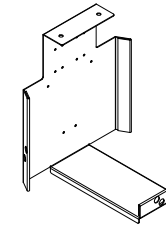


NOTE: Refer to HABH\_120 for Frame link Assembly to 120 Frame (HWBFYT)

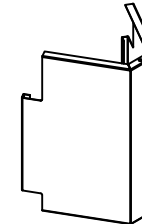
## Part and Product Identification



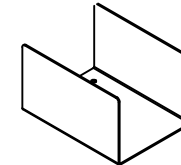
**A** - Cable Riser Mounting Plate, 120 (N01-7555) x 1



**B** - Cable Riser Mounting Bracket, 120 (A16-10246) x 1



**C** - Cable Riser Cover, 120 (A16-10911) x 3



**D** - Wire Cover (A16-9914) x 3



**E** - 1/2" Dia x 1/8" Thk Earth Magnet (D03-0059) x 1



**F** - MK\_M6x1.0x16mm\_ST\_ZN\_MH\_SK (E01-1409) x 2



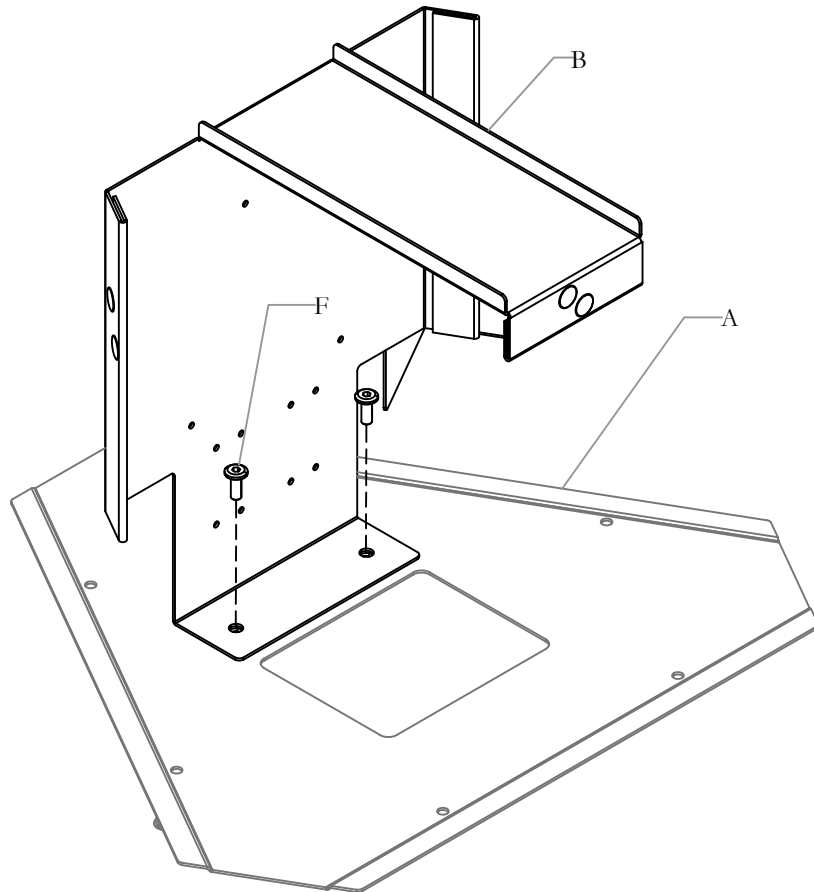
**G** - ST-#10-32x0.375\_NI\_TS\_QD (E07-0084) x 12

Section: **HEIGHT ADJUSTABLE BENCH**

Date: Oct 2022 Page No: 2 of 5  
HABH\_123

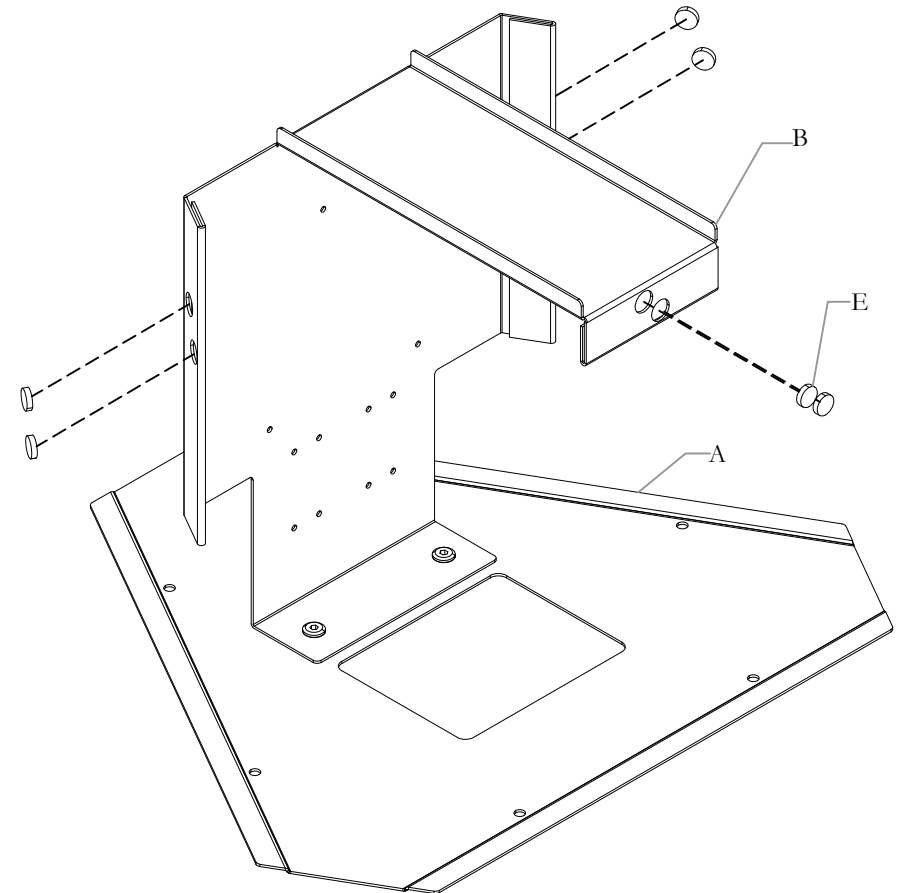
Description: **CABLE RISER, 120**

## ATTACH CABLE RISER MOUNTING BRACKET



STEP 1: Attach Cable Riser Mounting bracket to Cable Riser Mounting Plate Assy

## ATTACH MAGNET TO MOUNTING BRACKET



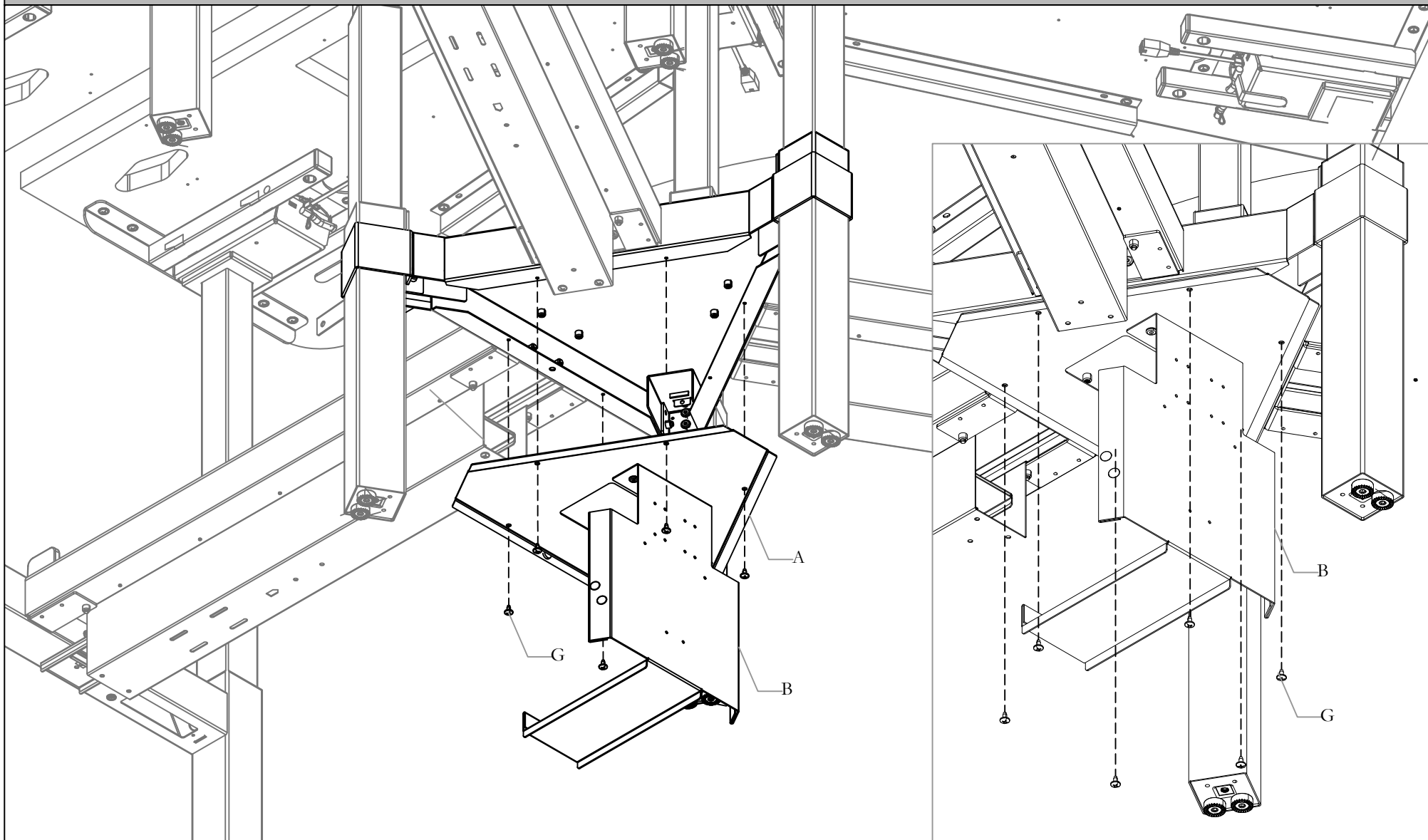
STEP 2: Attach magnet to the Mounting Bracket

Section: **HEIGHT ADJUSTABLE BENCH**

Date: Oct 2022 Page No: 3 of 5  
HABH\_123

Description: **CABLE RISER, 120**

## SECURE CABLE RISER MOUNTING PLATE



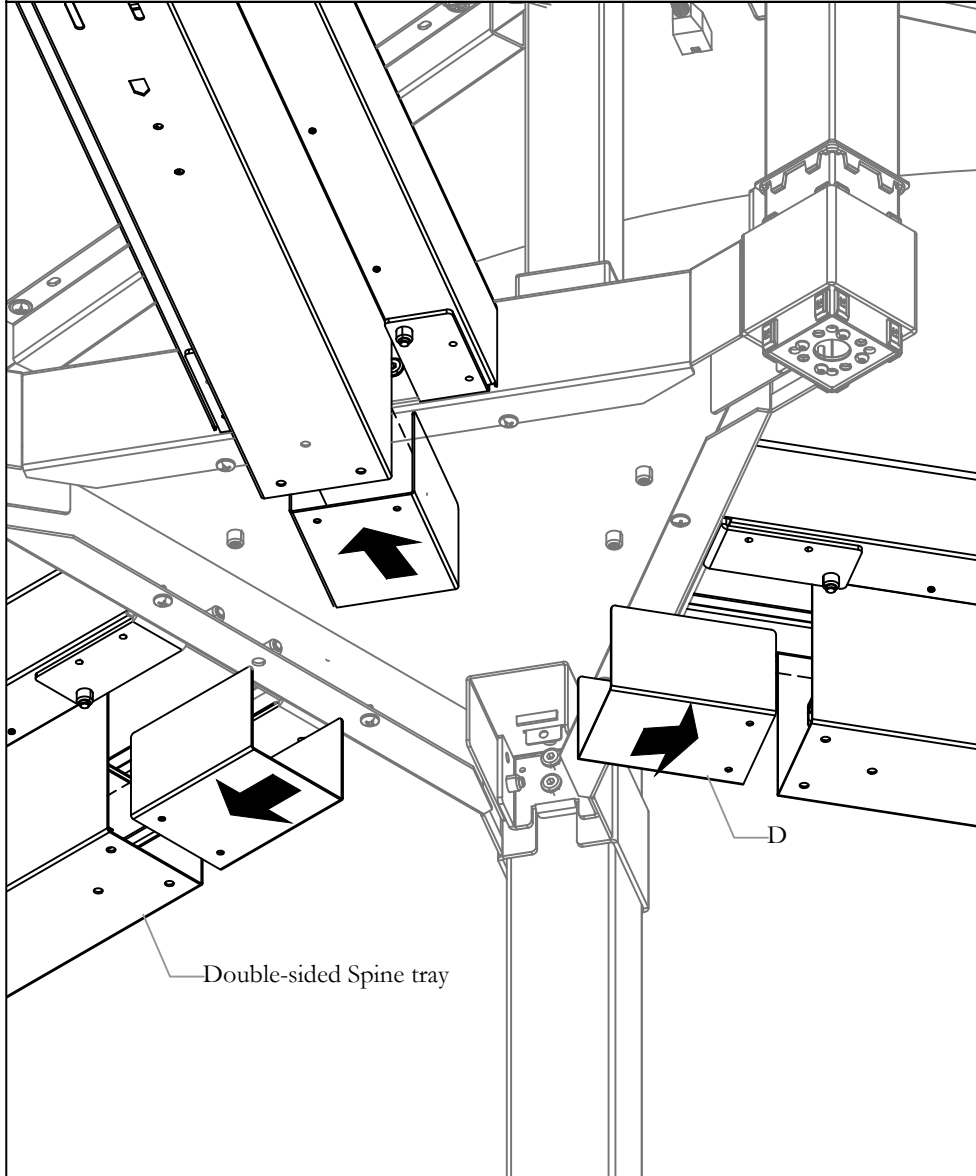
STEP 3: Secure Cable Riser Mounting PLate

Section: **SECURE WIRE COVER**

Date: Oct 2022 Page No: 4 of 5  
HABH\_123

Description: **CABLE RISER, 120**

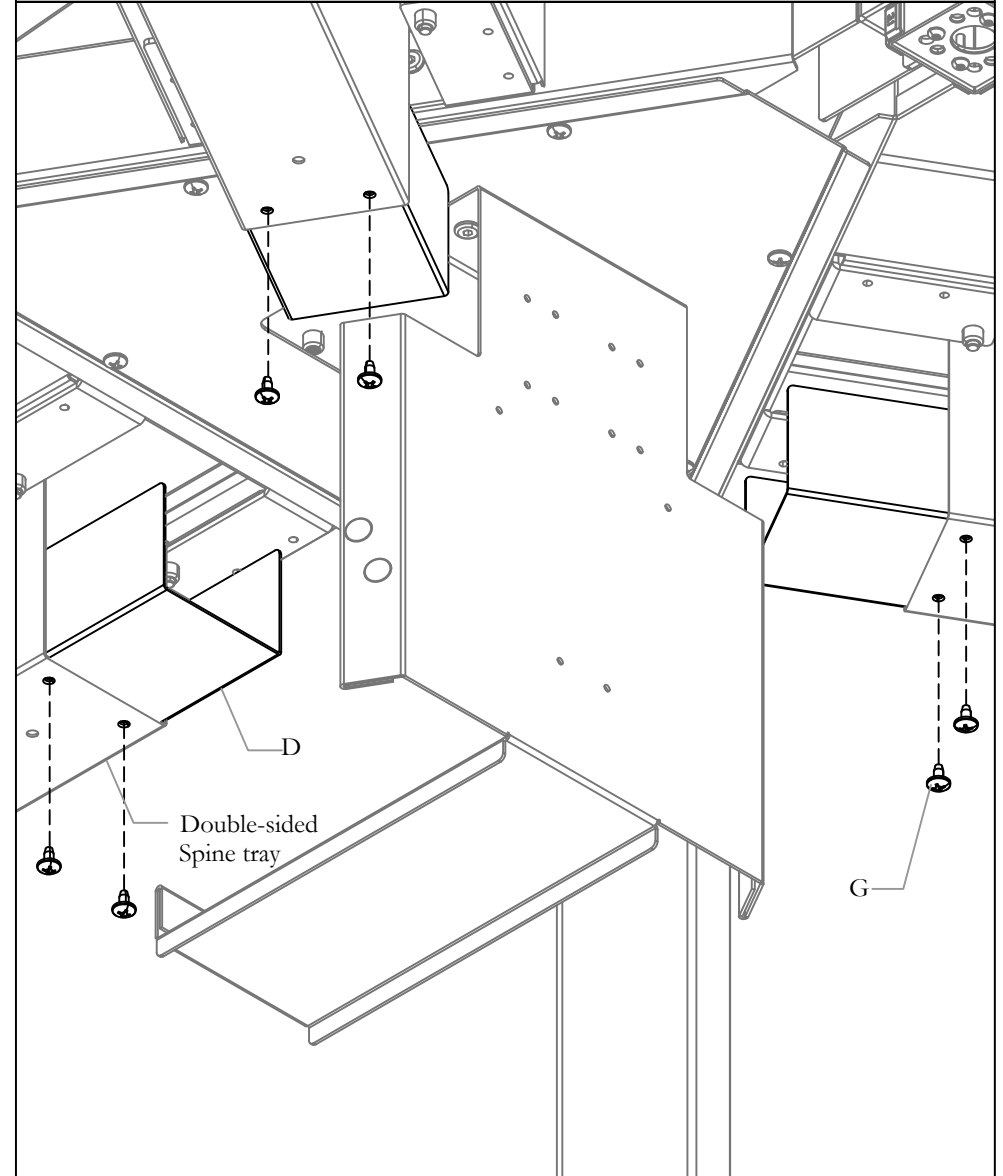
## ATTACH WIRE COVER



STEP 4A: Attach Wire Cover

NOTE: Cable riser mounting bracket is hidden for sake of illustration

## SECURE WIRE COVER



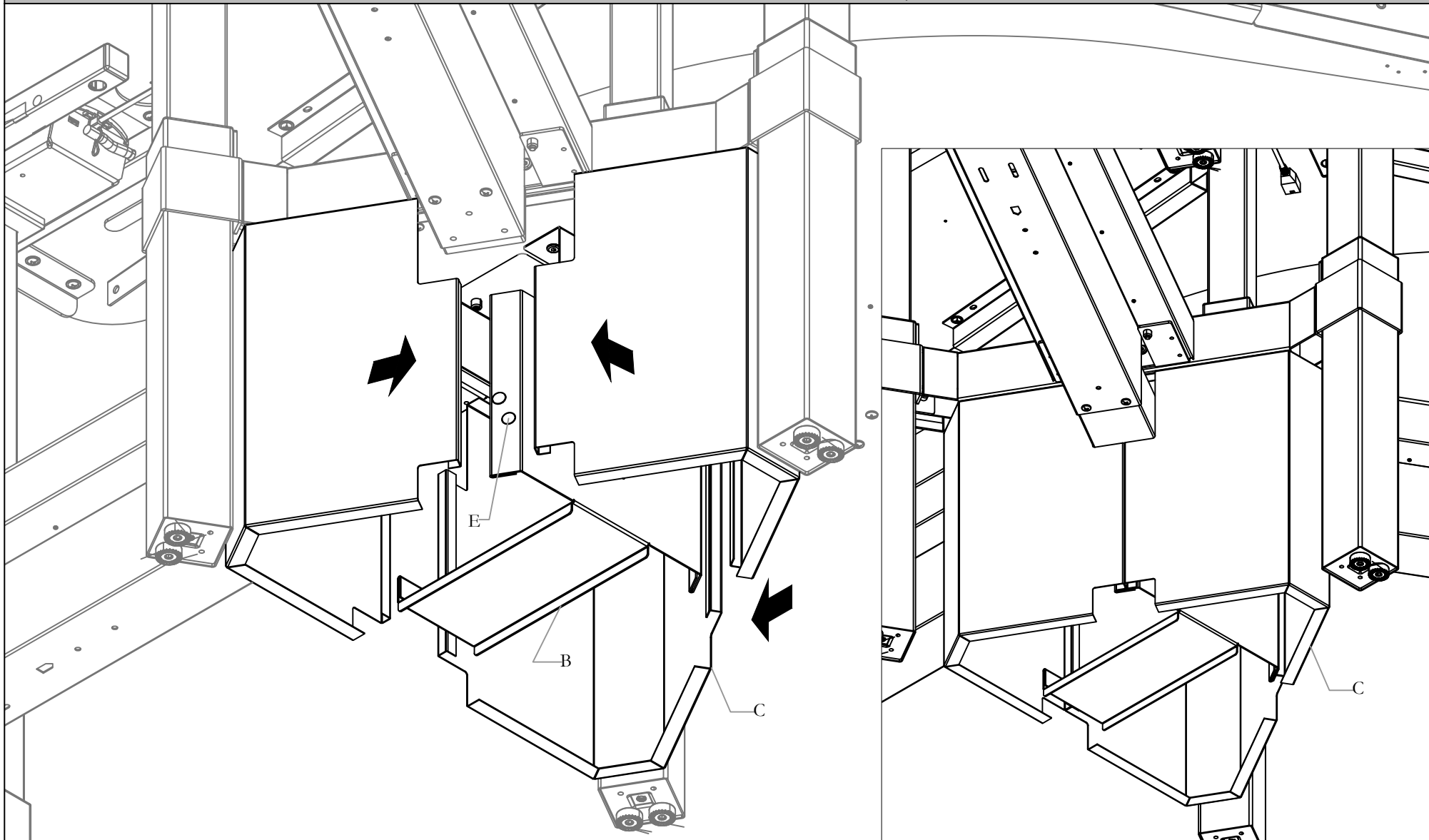
STEP 4B: Secure Wire cover

Section: HEIGHT ADJUSTABLE BENCH

Date: Oct 2022 Page No: 5 of 5  
HABH\_123

Description: CABLE RISER, 120

ATTACH CABLE RISER COVER, 120



STEP 5: Attach Cable Riser Cover to the Cable Riser Mounting Plate

# height-adjustable bench *Installation Guides*

Section: **HISPACE CASUAL SPACE DIVISION**

Description: **DOUBLE-SIDED DESK EDGE SCREENS**

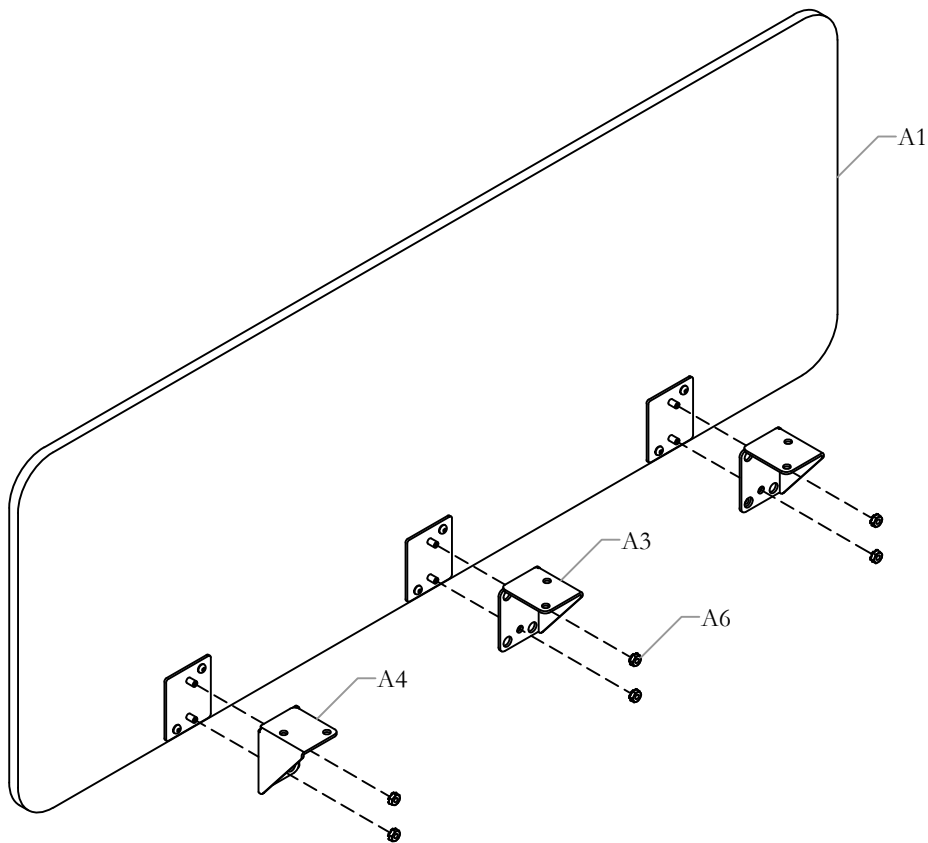
teknion

Date: Sept 2021 Page No: 1 of 5  
HABH\_213 Rev. No: 0

Double-Sided Desk Edge Screen Smooth Felt (HWBCDZ)

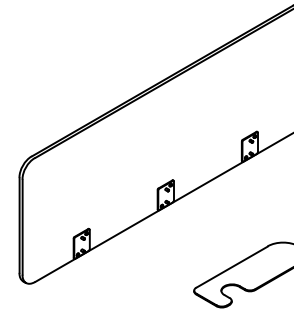
**OR**

Double-Sided Desk Edge Screen Infinity (HWBCDX)



## Part and Product Identification

**A - Double-Sided Desk Edge Screen - Smooth Felt**  
(HWBCDZ) x1



**A1 - Smooth Felt Desk Edge Screen (Radius/Straight Corners)**  
(N01-6198-X/N01-6550-X) x1

**A2 - Plastic Spacer**  
(B10-0521) x2

**Modesty Screen Mounting Kit**  
(X01-4062) x1



**A3- Screen Mounting Bracket**  
(A16-10257R) x2



**A4- Screen Mounting Bracket-L**  
(A16-10257L) x1

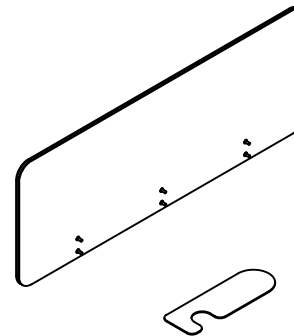


**A5- #10x0.875" Lg. Screw**  
(E07-0077) x6



**A6- 1/4-20 UNC Hex Nut**  
(E03-0059) x6

**OR B - Double-Sided Desk Edge Screen - Infinity**  
(HWBCDX) x1



**B1- Infinity Desk Edge Screen Assy.**  
(N01-6005-X) x1

**B2 - Plastic Spacer**  
(B10-0521) x2

**Infinity Desk Edge Screen Mounting Kit**  
(X01-3992) x1



**B3- Screen Mounting Bracket**  
(A16-9520R) x2



**B4- Screen Mounting Bracket-L**  
(A16-9520L) x1



**B5- #10x0.875" Lg. Screw**  
(E07-0077) x6



**B6- 1/4-20 UNC Hex Nut**  
(E03-0059) x6

# height-adjustable bench *Installation Guides*

Section: **HISPACE CASUAL SPACE DIVISION**

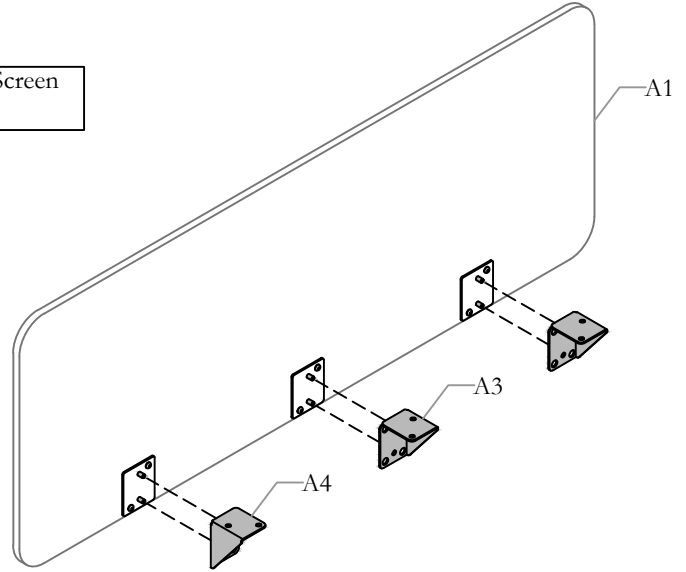
Description: **DOUBLE-SIDED DESK EDGE SCREENS**

teknion

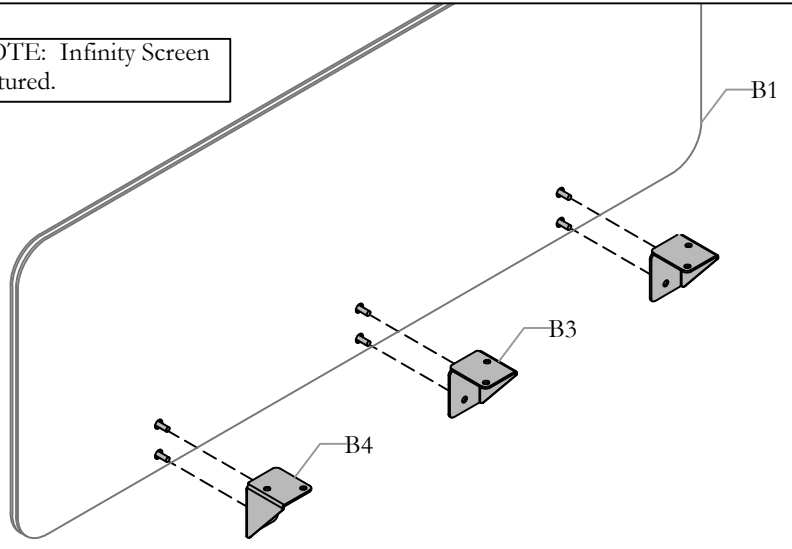
Date: Sept 2021 Page No: 2 of 5  
HABH\_213

## ATTACH MOUNTING BRACKETS

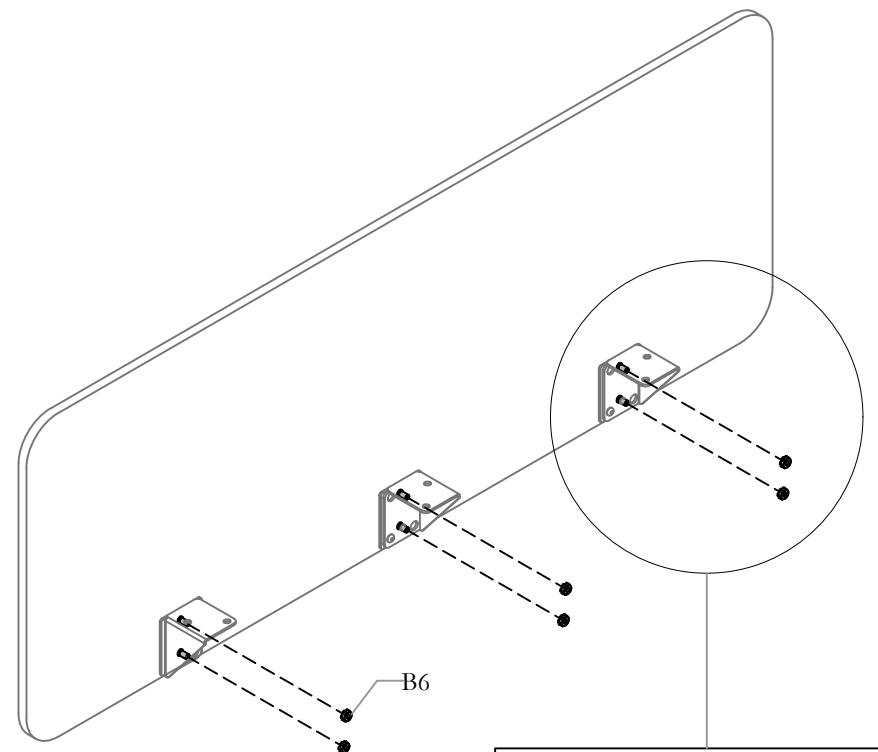
NOTE: Felt Screen pictured.



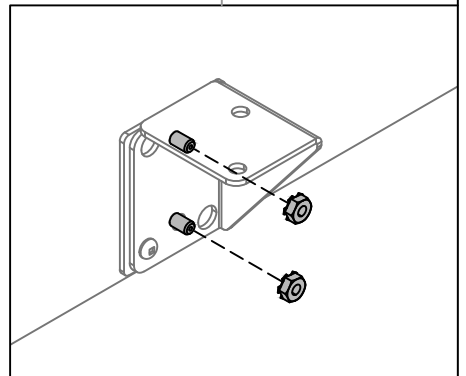
NOTE: Infinity Screen pictured.



## SECURE BRACKETS



NOTE: Installation Steps the same for Infinity Screen



STEP 1: Attach Mounting Bracket to the Screen as Shown.

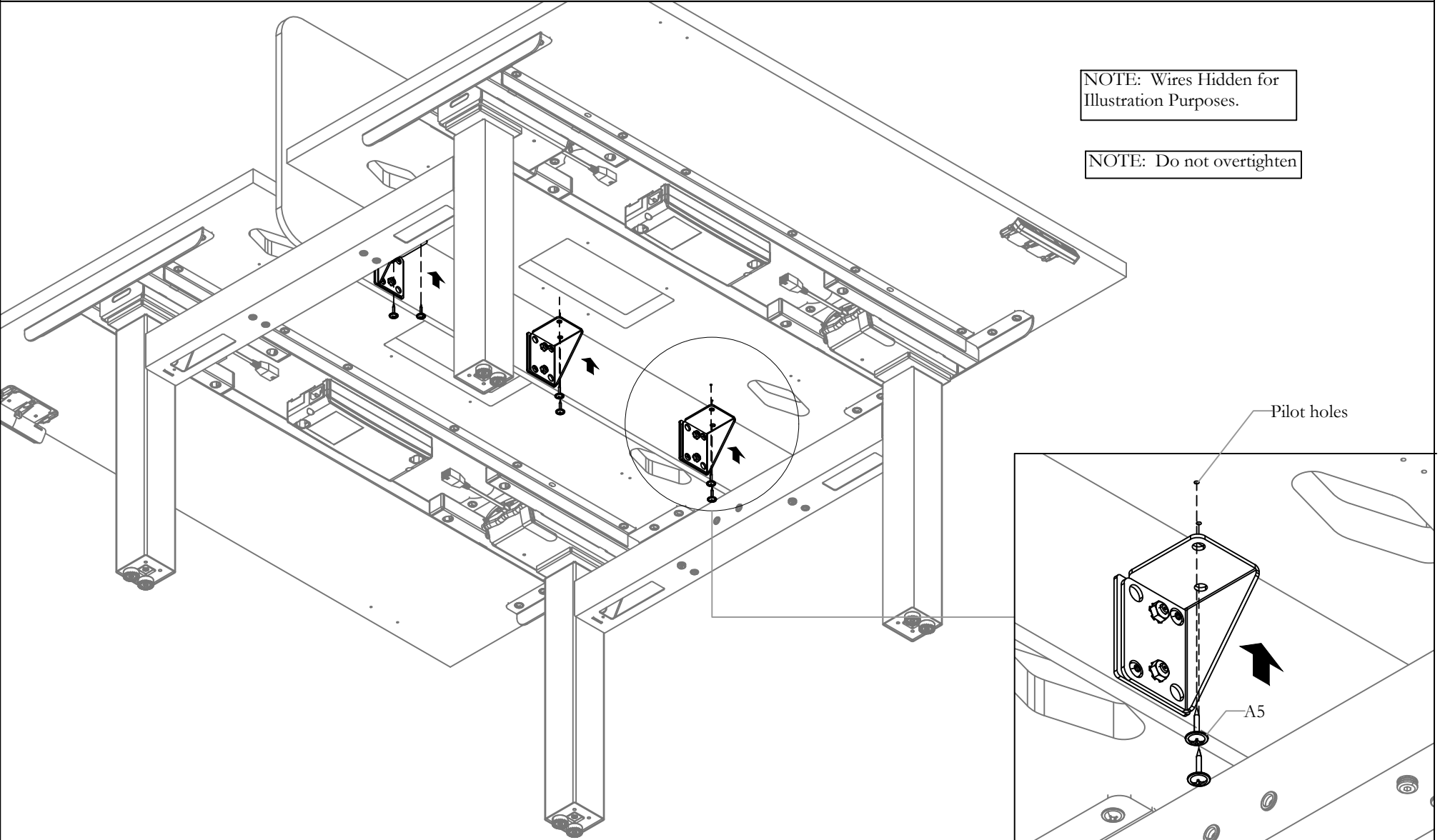
STEP 2: Secure Mounting Brackets using Nuts as Shown



MOUNT TO UNDERSIDE OF WORKSURFACE

NOTE: Wires Hidden for Illustration Purposes.

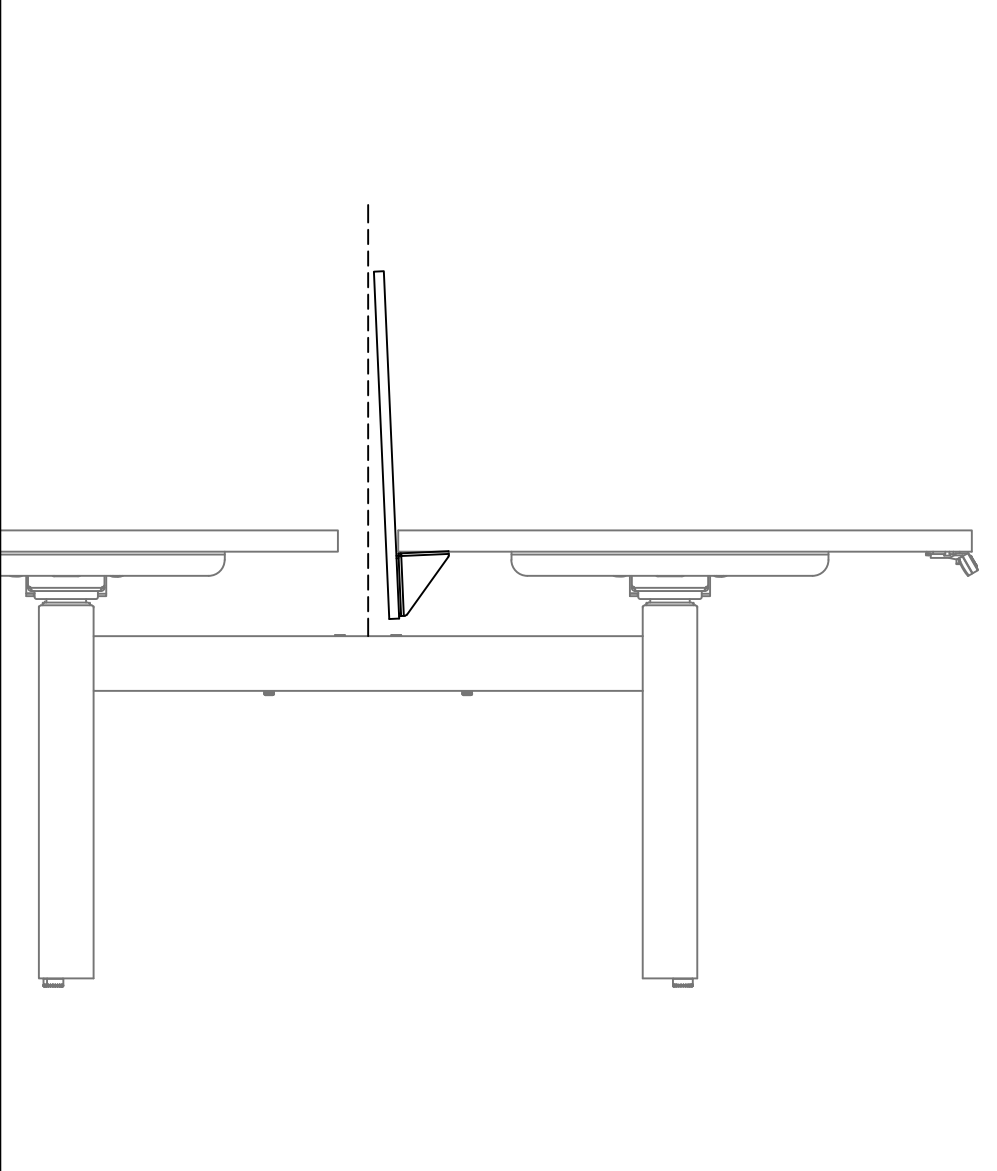
NOTE: Do not overtighten



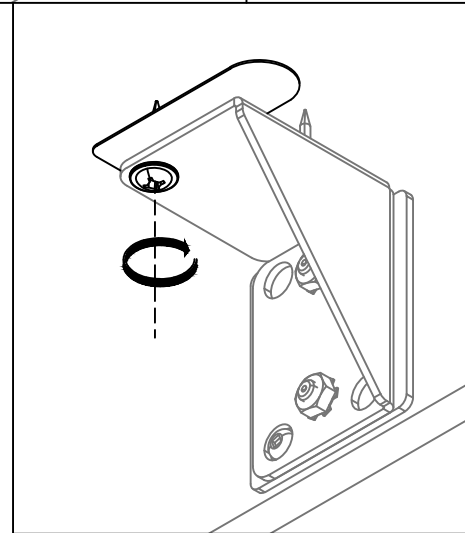
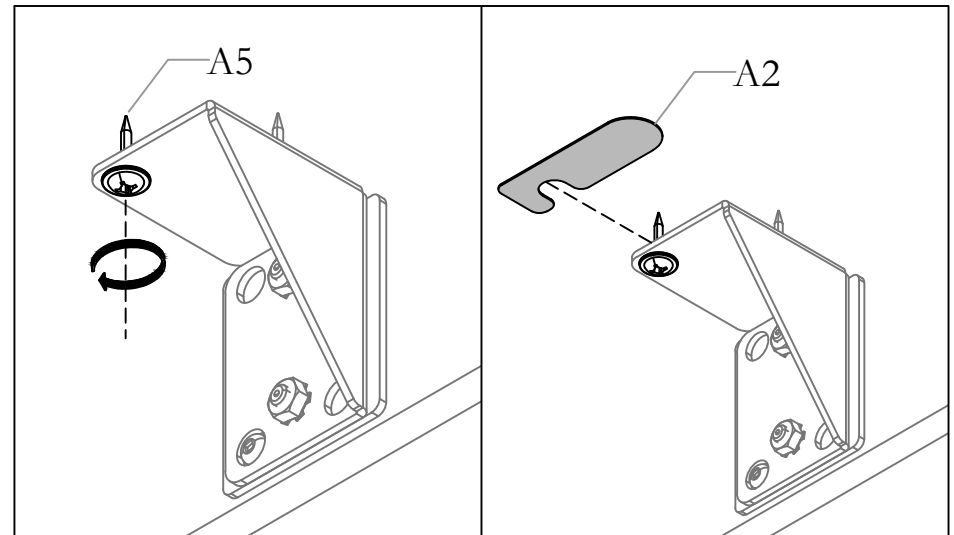
STEP 3: Attach Screen assembly to the underside of the Worksurface using provided screws.



INSTALL PLASTIC SPACER (IF REQUIRED)

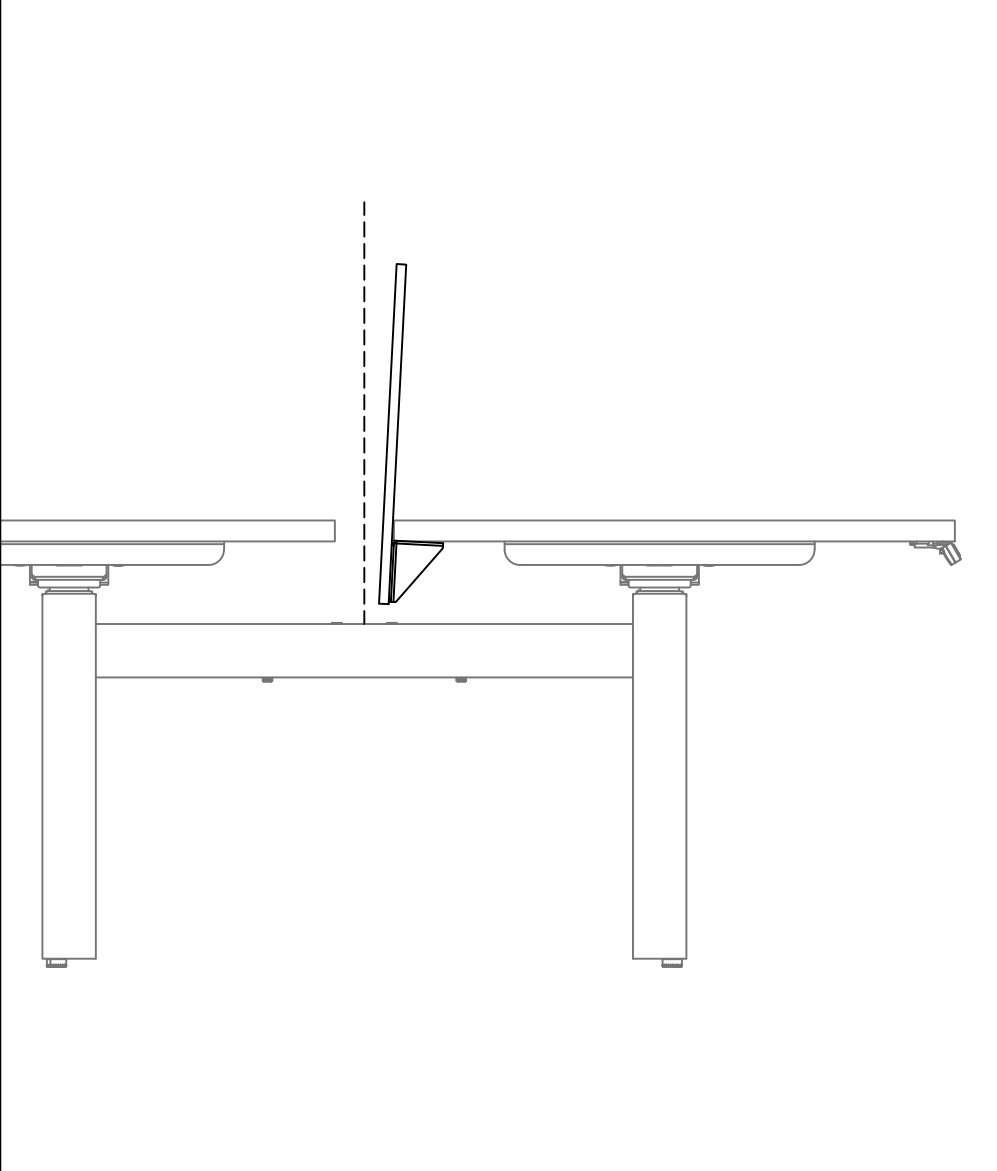


NOTE: Do not overtighten

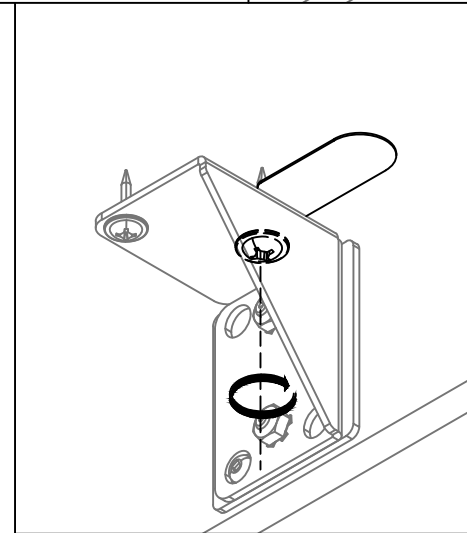
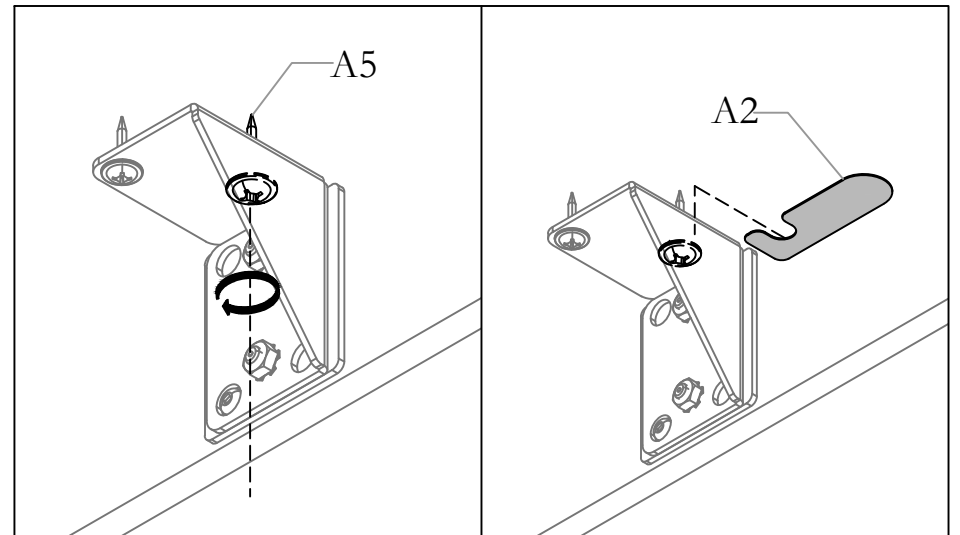


STEP (Optional): If the screen is tilting Outwards, Loosen the Front Wood Screw, Place the Plastic Spacer and Tighten the Wood Screw.

## INSTALL PLASTIC SPACER (IF REQUIRED)



NOTE: Do not overtighten

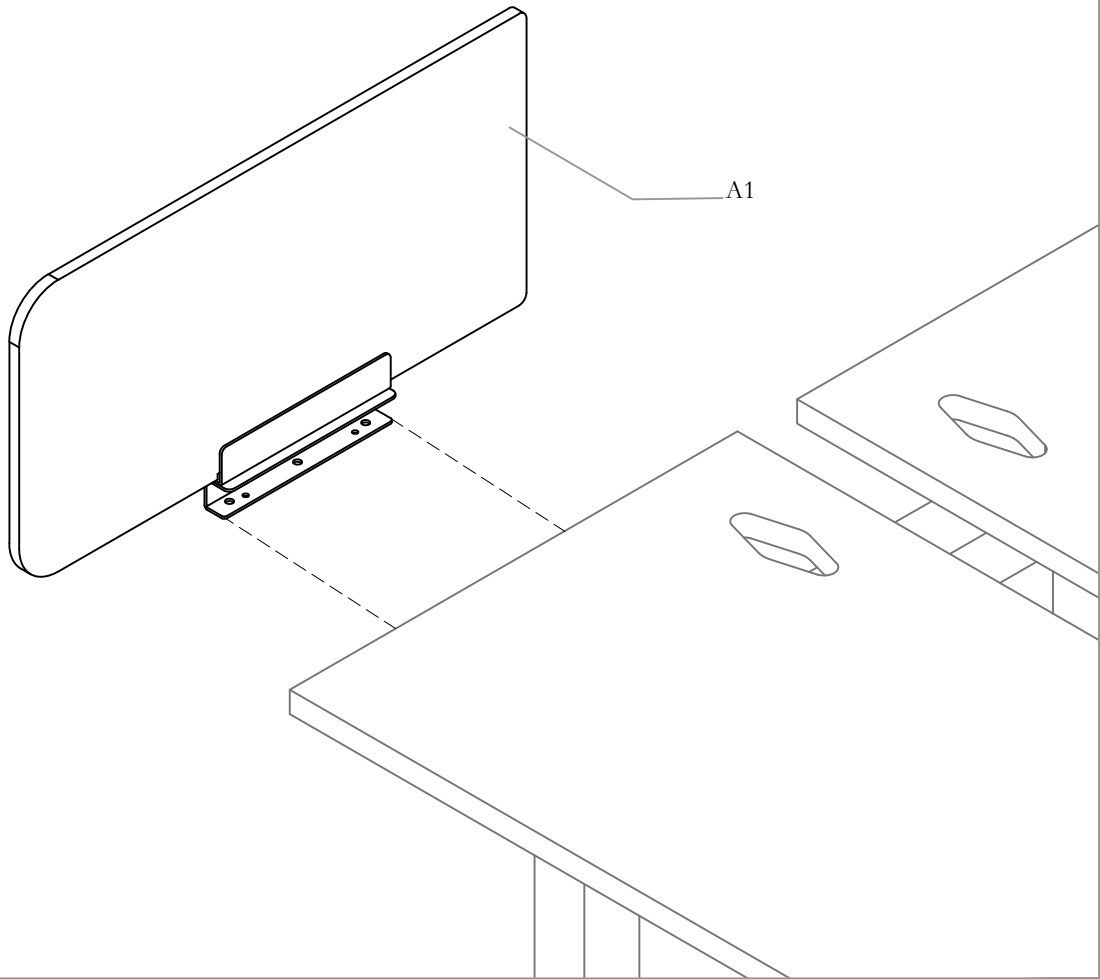


STEP (Optional): If the screen is tilting Inwards, Loosen the Back Wood Screw, Place the Plastic Spacer and Tighten the Wood Screw.

Section: **HISPACE CAUSAL SPACE DIVISON**  
 Description: **DESK EDGE LATERAL SCREEN-SMOOTH FELT**

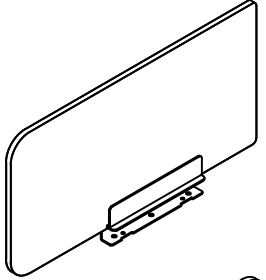
Date: May 2022 Page No: 1 of 3  
 HABH\_214 Rev. No: 0

Desk Edge Lateral Screen - Smooth Felt (HWBCLZ)

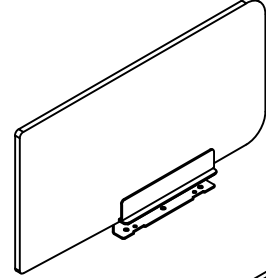


Part and Product Identification

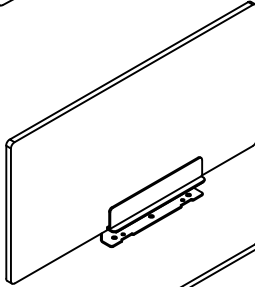
**A** - HAB Smooth Felt Lateral (HWBCLZ)



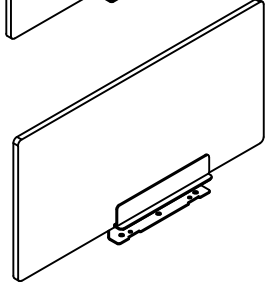
**A1** - HAB Desk Edge Lateral Screen with Radius Corner (N01-6415L\42\X\E)x1



**A2** - HAB Desk Edge Lateral Screen with Radius Corner (N01-6415R\42\X\E)x1



**A3** - HAB Desk Edge Lateral Screen with Straight Corner (N01-6414L\42\X\X)x1



**A4** - HAB Desk Edge Lateral Screen with Straight Corner (N01-6414L\42\X\X)x1

**B**-Fastener Kit (X01-4117)



**B1** - M10x0.875" LG. Screw Quad Pan Washer (E07-0077) x2



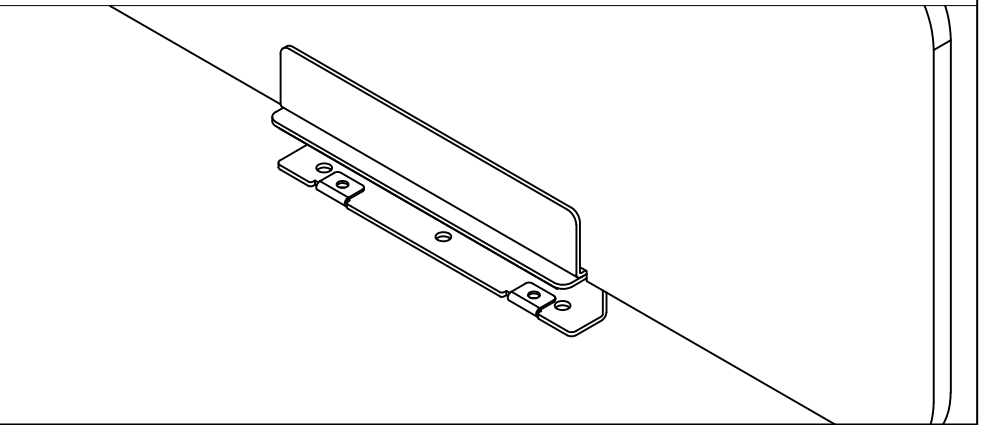
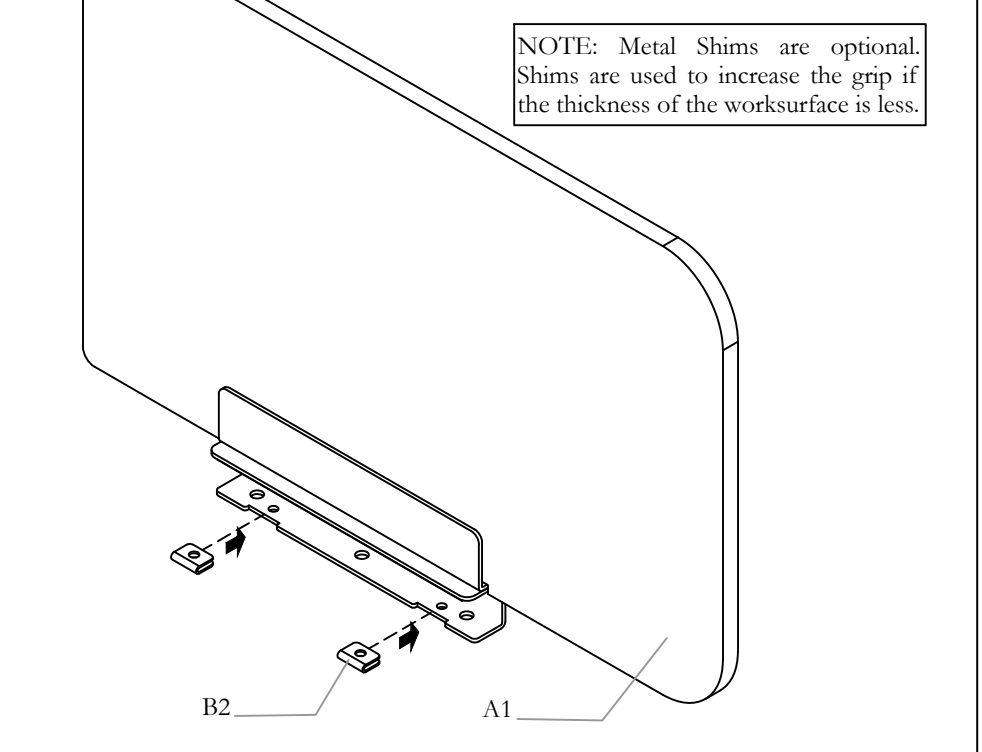
**B2** - Metal Shim (A16-10896) x2

Section: **HISPACE CAUSAL SPACE DIVISION**  
Description: **DESK EDGE LATERAL SCREEN-SMOOTH FELT**

Date: May 2022 Page No: 2 of 3  
HABH\_214

**ATTACH METAL SHIMS(OPTIONAL)**

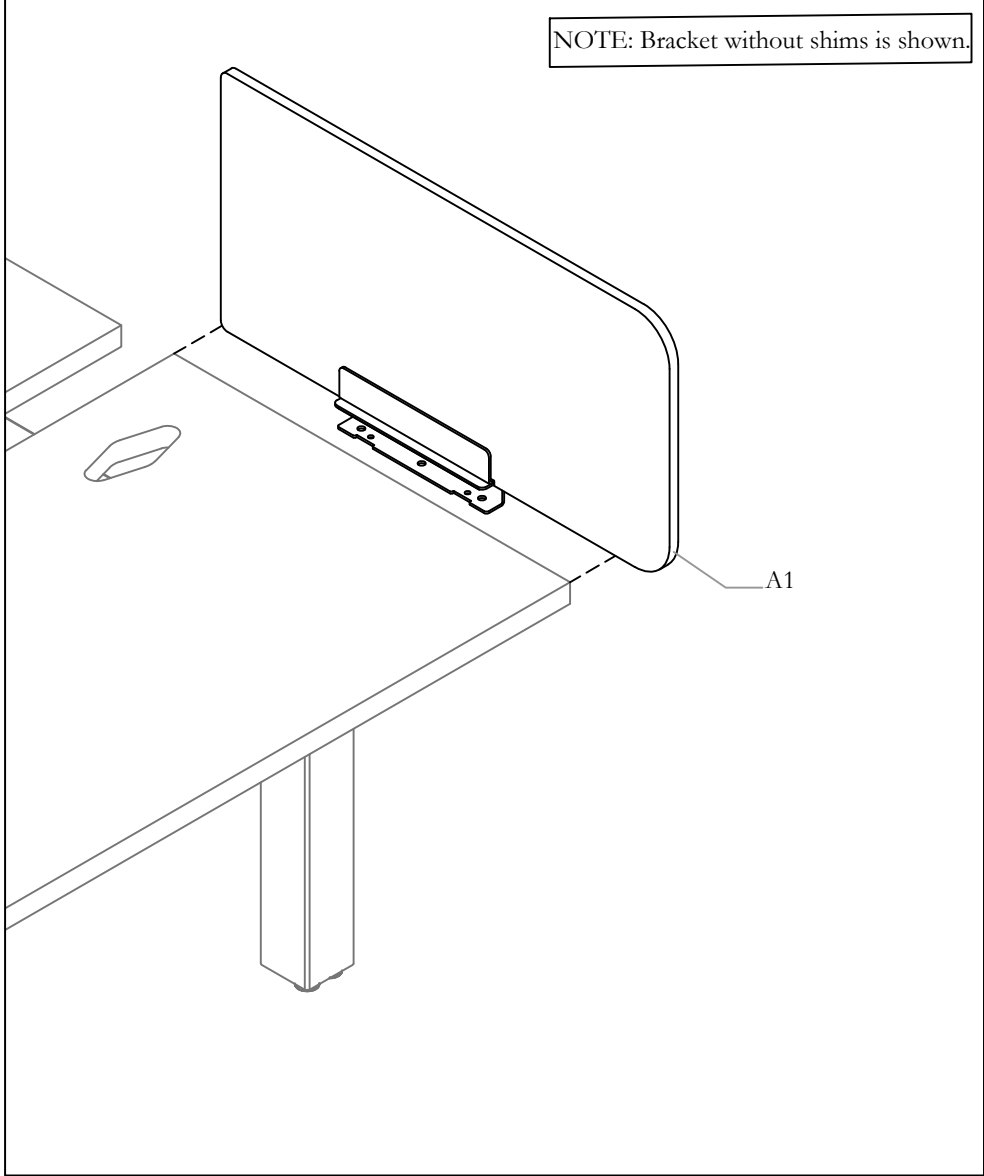
NOTE: Metal Shims are optional. Shims are used to increase the grip if the thickness of the worksurface is less.



STEP 1: Attach Metal shims to the bracket (optional) as shown in the figure.

**ALIGN SCREEN TO THE WORKSURFACE**

NOTE: Bracket without shims is shown.



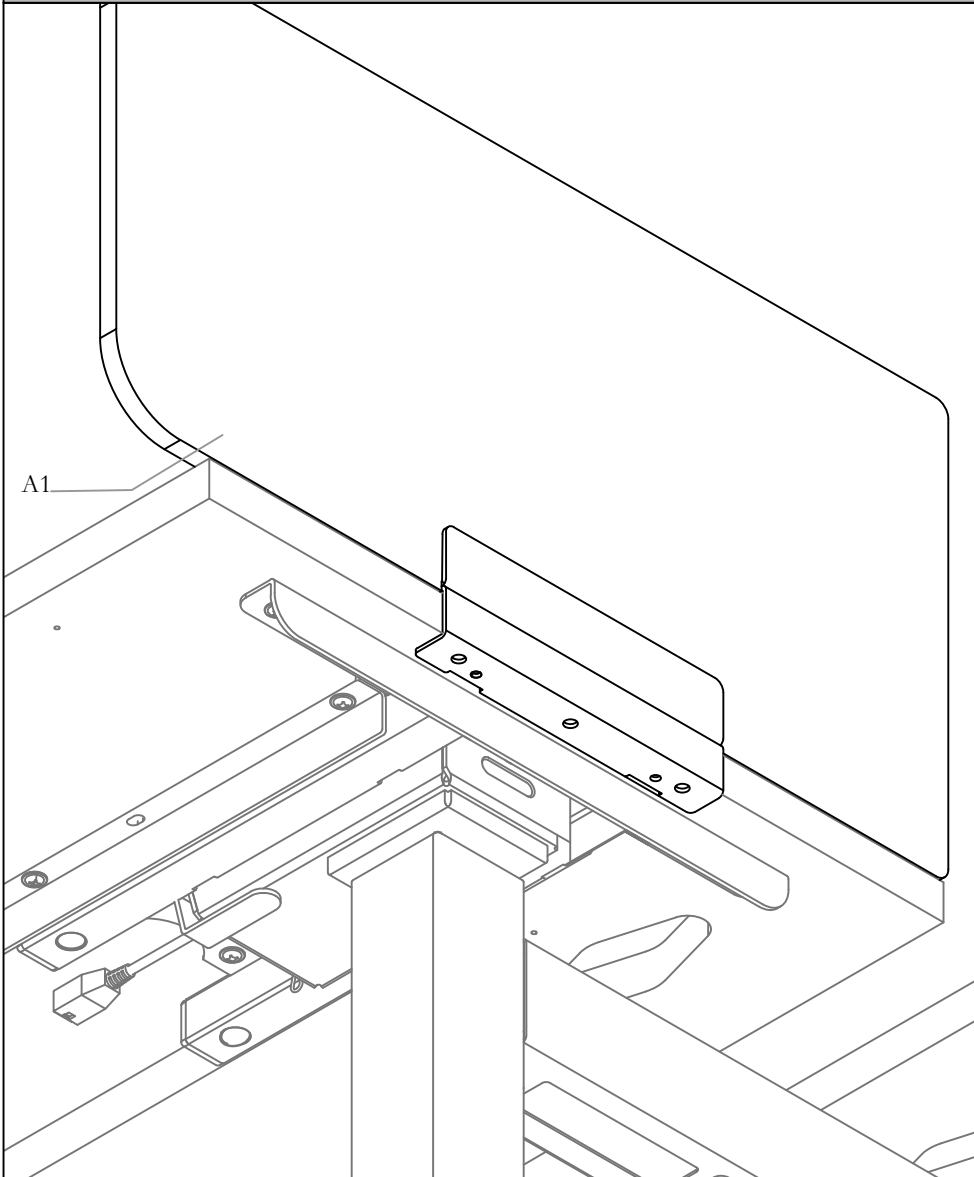
STEP 2: Align the rear end of Smooth felt Lateral Screen flush with the rear of the Worksurface

Section: **HISPACE CASUAL SPACE DIVISION**

Description: **DESK EDGE LATERAL SCREEN-SMOOTH FELT**

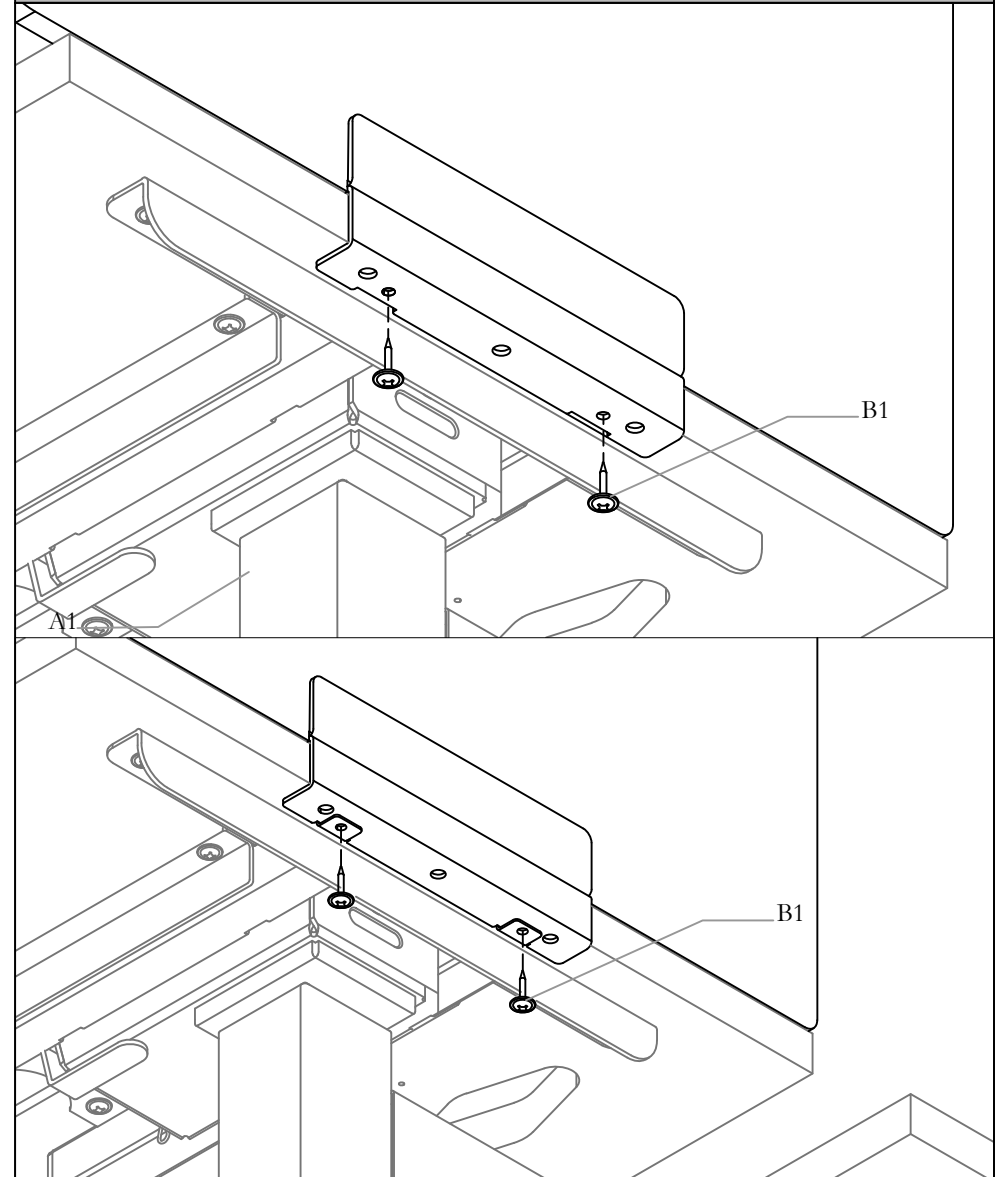
Date: May 2022 Page No: 3 of 3  
HABH\_214

## ATTACH SCREEN TO THE WORKSURFACE



STEP 3: Push the Screen assembly against the side of the Worksurface till contact as shown.

## SECURE SCREEN



STEP 4: Secure the screen assembly as shown in the figure.

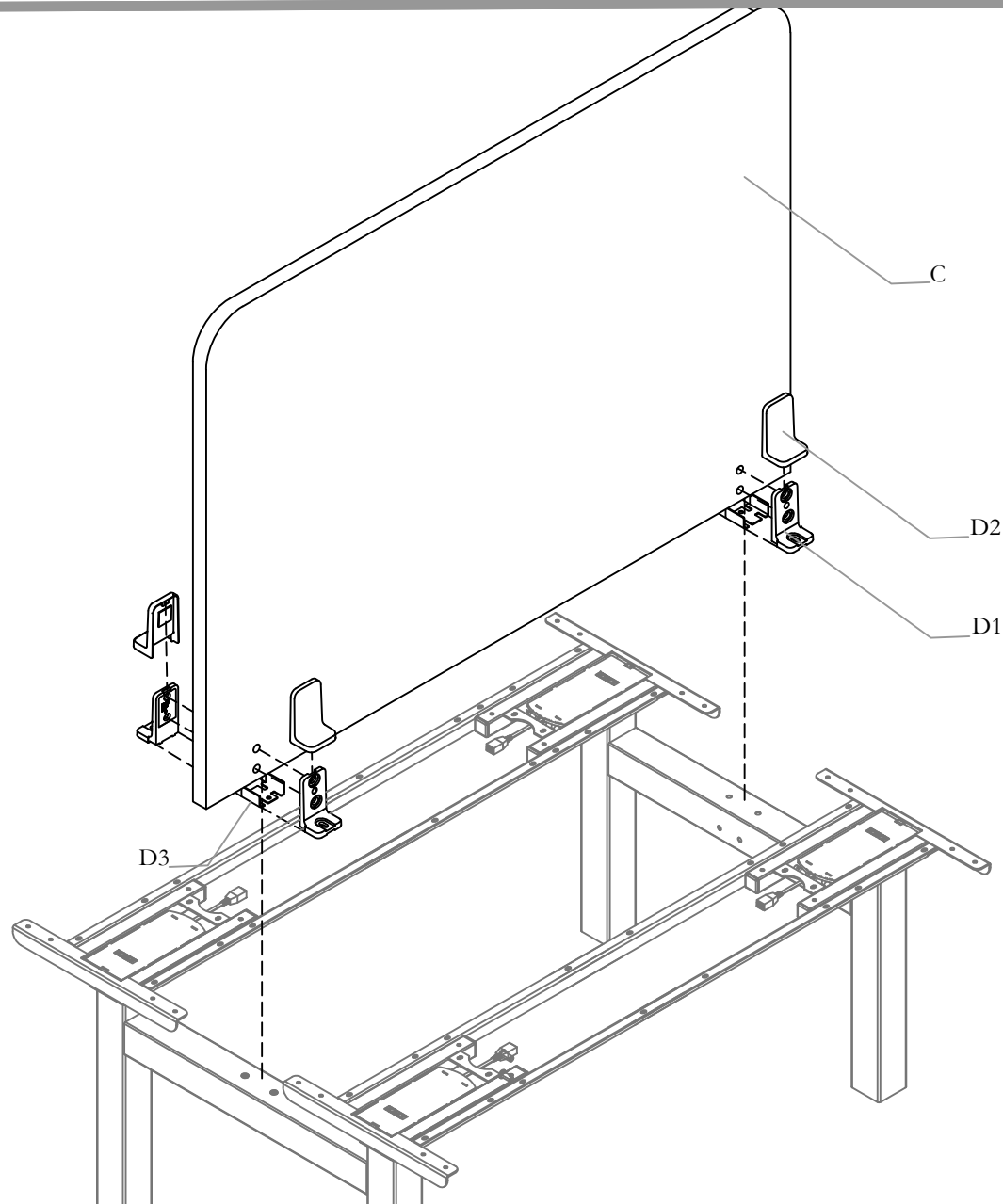
# height adjustable bench *Installation Guides*

Section: **HISPACE CASUAL SPACE DIVISON**  
Description: **DOUBLE SIDED SPINE SCREEN**

teknion

Date: Sept 2021 Page No: 1 of 5  
HABH\_215 Rev. No: 0

Double-Sided Spine Screen - Framed Fabric (HWBCTF) and Double-Sided Spine Screen - Solid (HWBCTS)

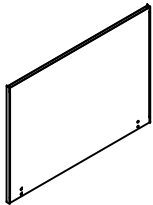
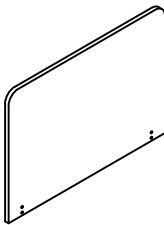

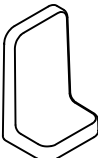
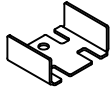






# height adjustable bench *Installation Guides*

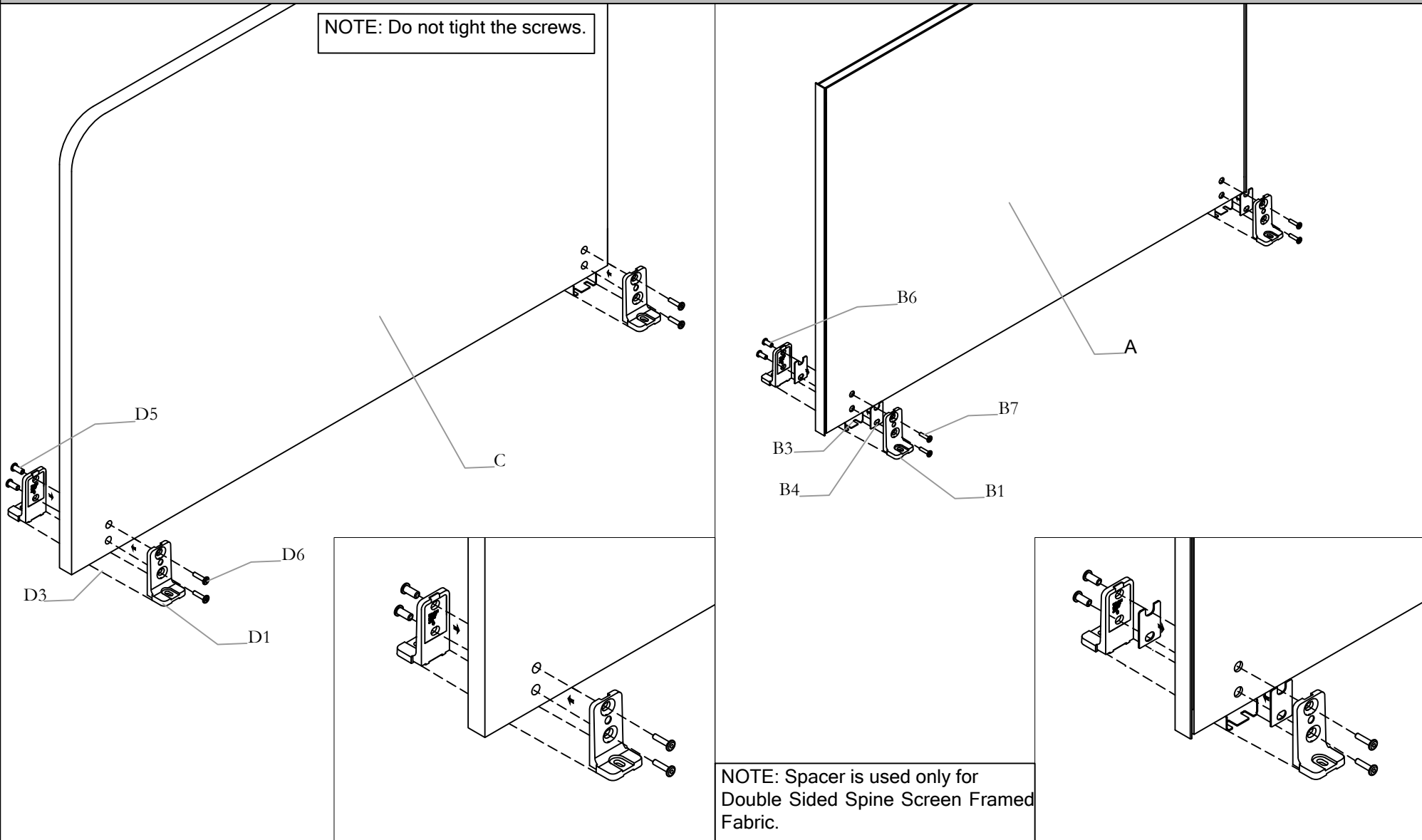
Section: **HISPACE CASUAL SPACE DIVISON**  
 Description: **DOUBLE SIDED SPLINE SCREEN**

Date: Sept 2021 Page No: 2 of 5  
 HABH\_215 Rev. No: 0

## Part and Product Identification

Double-Sided Spine Screen - For Framed Fabric(HWBCTF) x1	<b>A - Spine Screen Assembly (N01-6008-X)x1</b>		<b>A - Double-Sided Spine Screen - Framed Fabric (N01-6008-X) x1</b>	Double-Sided Spine Screen - Solid (HWBCTF) x1	<b>C - Double Sided Spine Screen-Solid (C07-8072X-X)</b>		<b>C - Double-Sided Spine Screen Solid (C07-8072X-X) x1</b>
	<b>B - Spine Screen Mounting Bracket Kit, For Fabric Screen (X01-4042)x1</b>		<b>B1- Screen Mounting Bracket (A25-0757) x4</b>		<b>D1- Screen Mounting Bracket (A25-0757) x4</b>		
			<b>B2- Screen Mounting Bracket Cover (A25-0758) x4</b>		<b>D2- Screen Mounting Bracket Cover (A25-0758) x4</b>		
			<b>B3- Bottom Spacer (A16-9465) x2</b>		<b>D3- Bottom Spacer (A16-9465) x2</b>		
			<b>B4- Spacer (A16-10195) x4</b>		<b>D4- M6X1.0X16mm (E01-1409) x4</b>		
			<b>B5- M6X1.0X16mm (E01-1409) x4</b>		<b>D5- M6X1.0X18mm (E03-1044) x4</b>		
			<b>B6- M6X1.0X18mm (E03-1044) x4</b>		<b>D6- M6X1.0X25mm (E03-1408) x4</b>		
			<b>B7- M6X1.0X25mm (E03-1408) x4</b>				

ATTACH SPINE SCREEN MOUNTING BRACKET KIT



STEP 3: Attach Mounting Bracket Cover on the Spine Screen and secure with fasteners as shown.



# height adjustable bench *Installation Guides*

Section: HISPAC CASUAL SPACE DIVISON

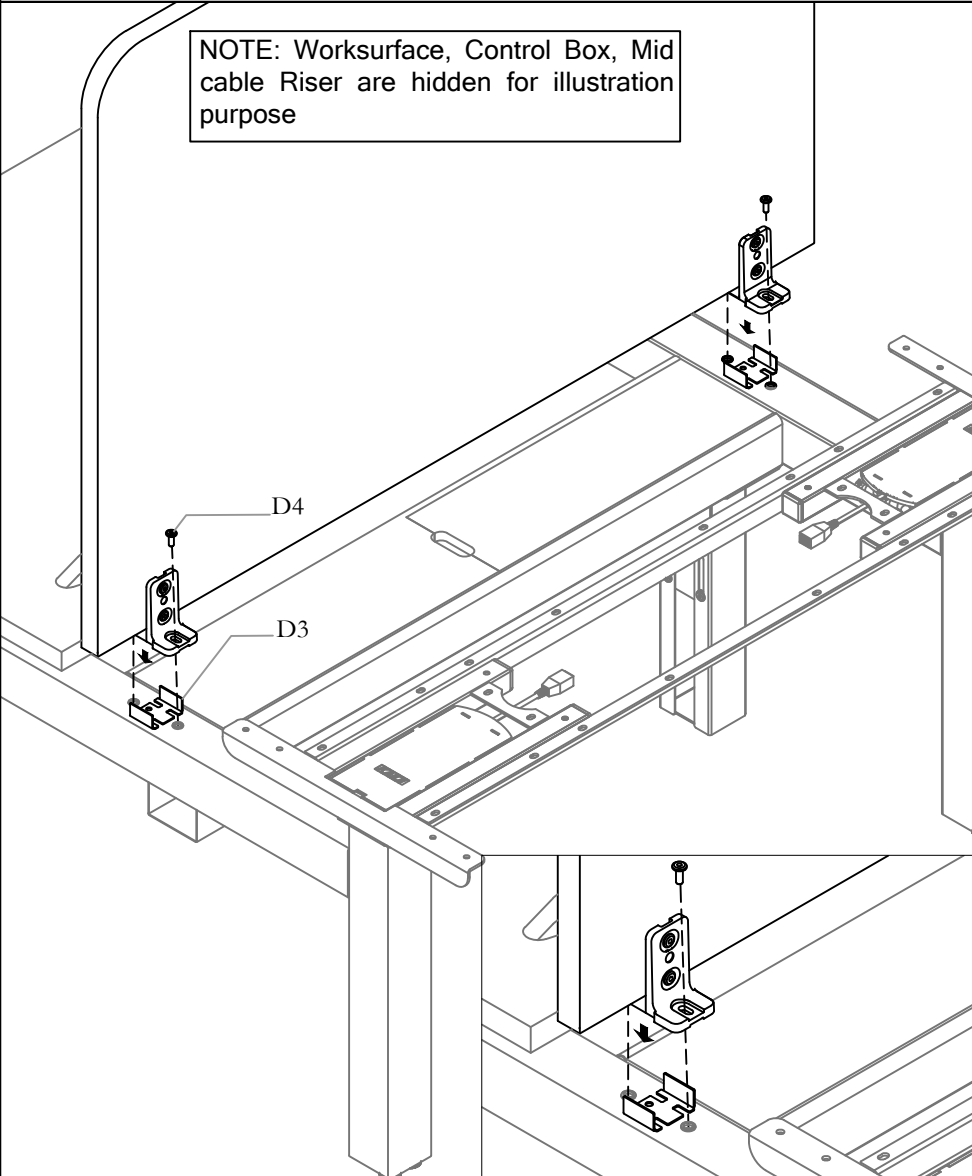
Description: DOUBLE SIDED SPINE SCREEN

teknion

Date: Sept 2021 Page No: 4 of 5  
HABH\_215

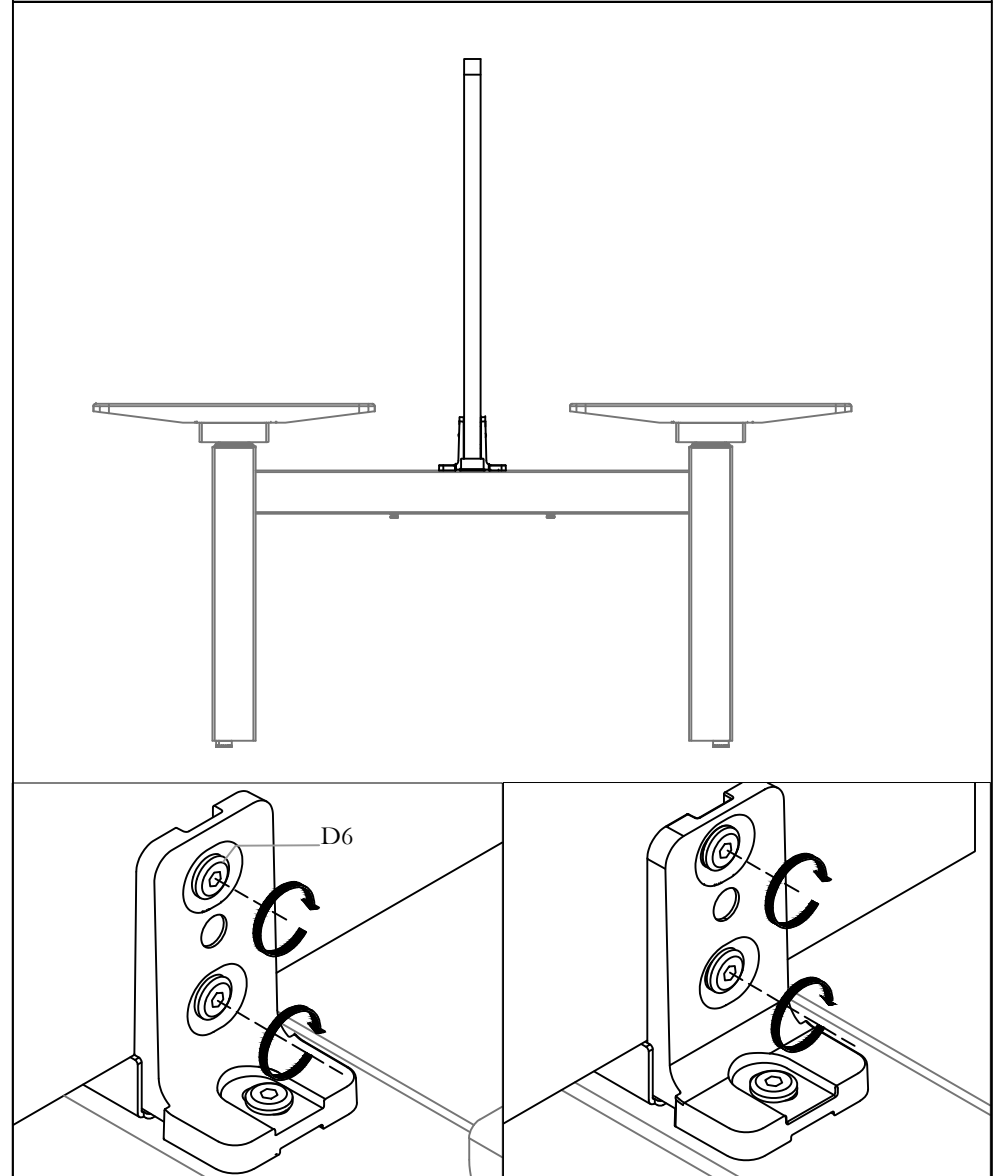
## ATTACH SPINE SCREEN TO FRAME

NOTE: Worksurface, Control Box, Mid cable Riser are hidden for illustration purpose



STEP 4: Insert Bottom Spacer into Spine Screen with Mounting Bracket and attach to the Frame as shown. Secure the screen with fasteners.

## ATTACH SCREEN MOUNTING BRACKET COVER



STEP 5: Make sure screen is aligned properly, and tight screws as shown.

# height adjustable bench *Installation Guides*

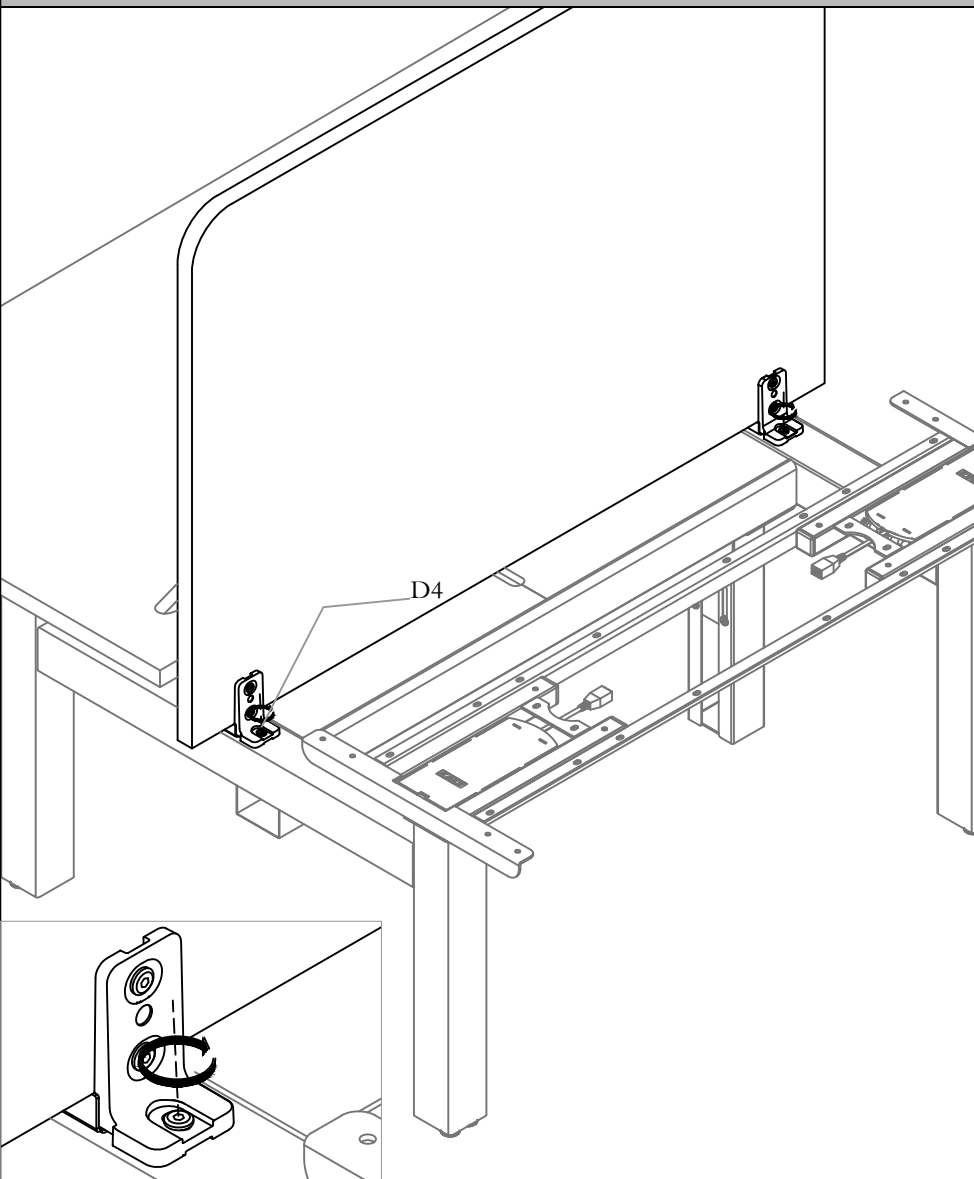
Section: HISPAC CASUAL SPACE DIVISON

Description: DOUBLE SIDED SPINE SCREEN

teknion

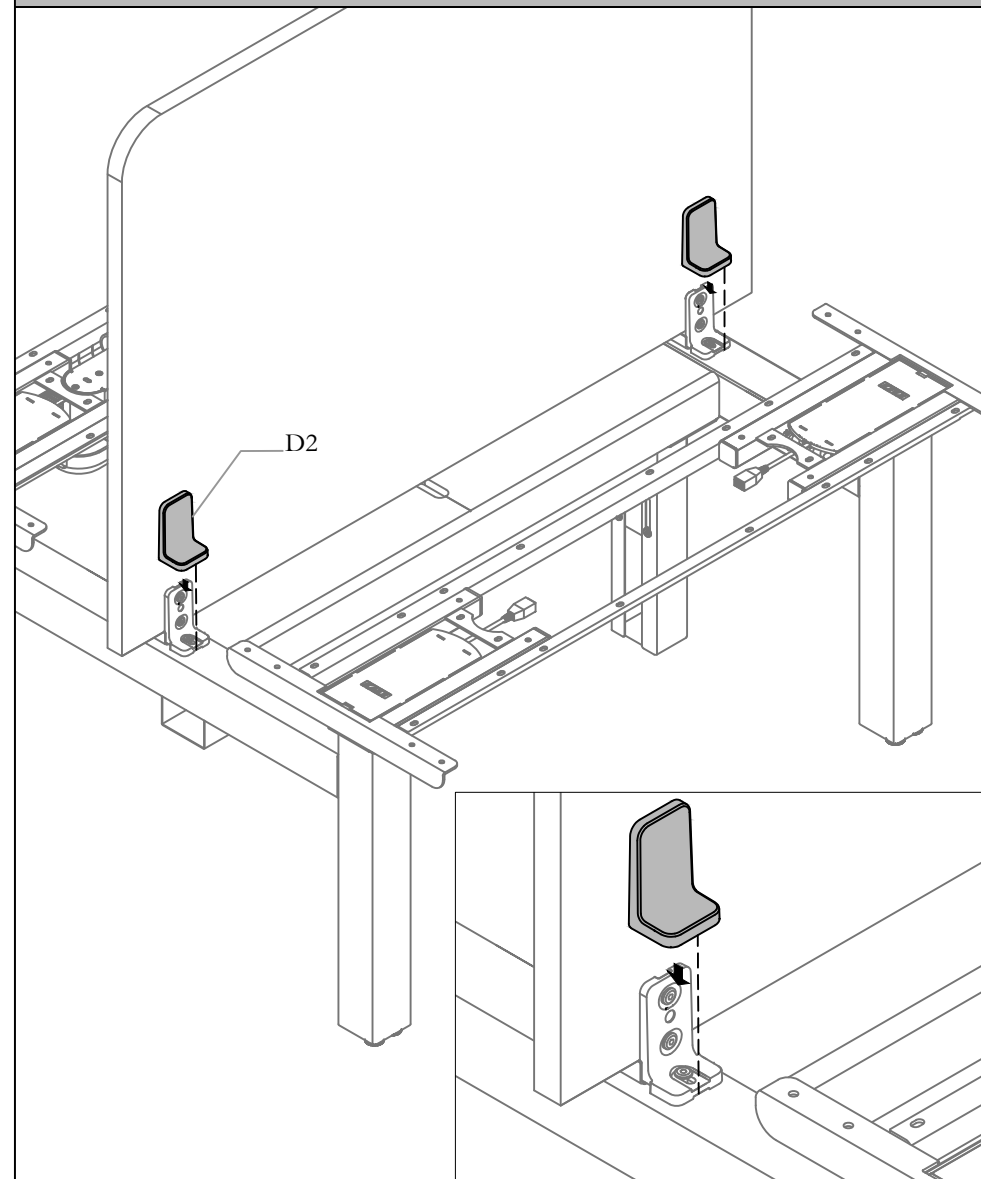
Date: Sept 2021 Page No: 5 of 5  
HABH\_215

## ATTACH SPINE SCREEN TO FRAME



STEP 6: Fully tighten the screws after screen is aligned properly.

## ATTACH SCREEN MOUNTING BRACKET COVER



STEP 7: Attach Screen Mounting Bracket Cover on Screen Mounting Bracket as shown.

# height-adjustable bench *Installation Guides*

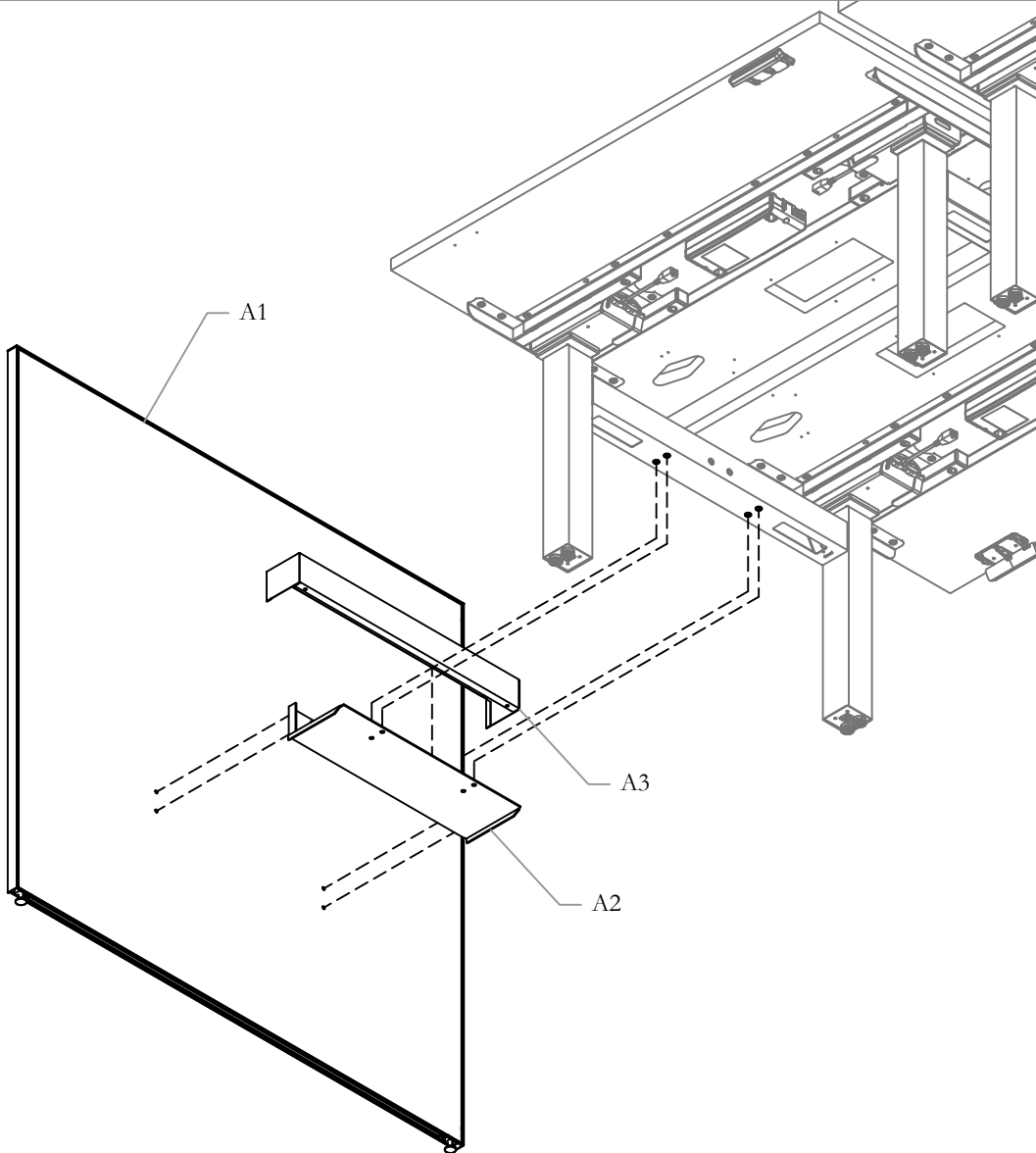
Section: **HISPACE CASUAL SPACE DIVISION**

Description: **END OF RUN SCREENS**

teknion

Date: Sept 2021 Page No: 1 of 5  
HABH\_216 Rev. No: 0

Double-Sided End of Run Screen - Framed Fabric (HWBTWF)  
Double-Sided End of Run Screen - Solid (HWBTWS)

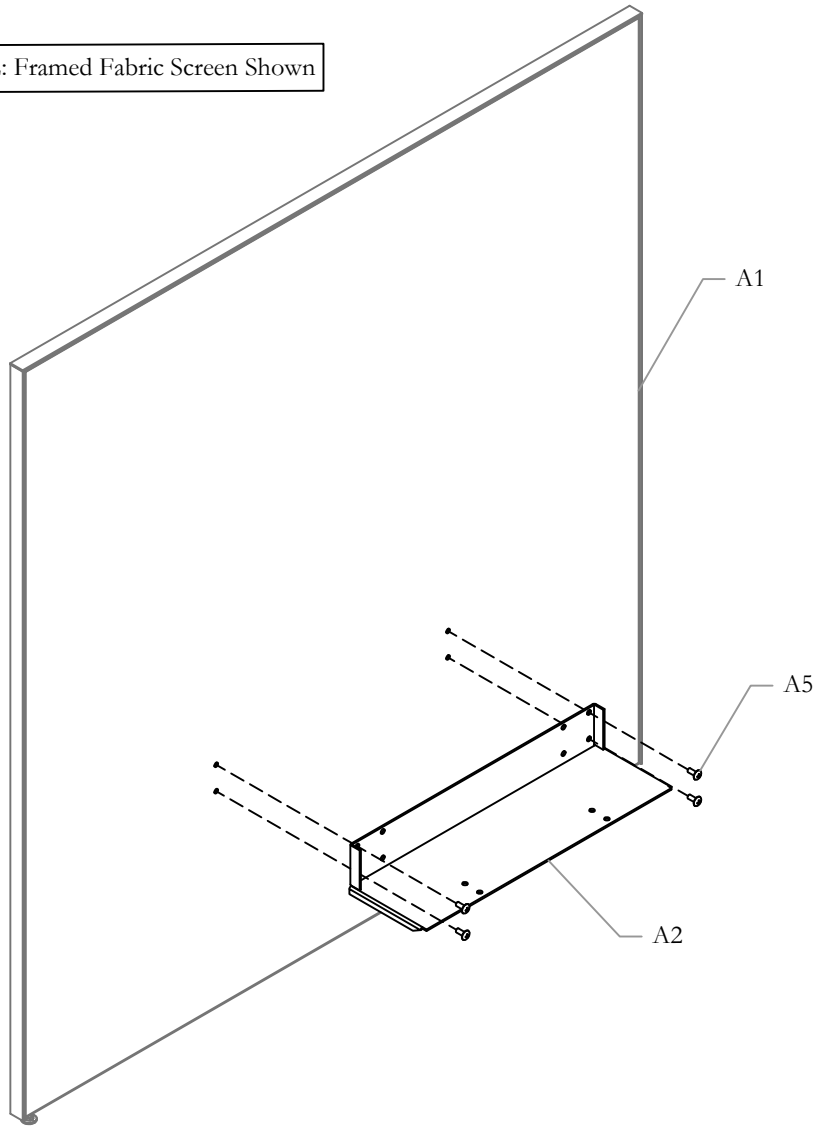


## Part and Product Identification

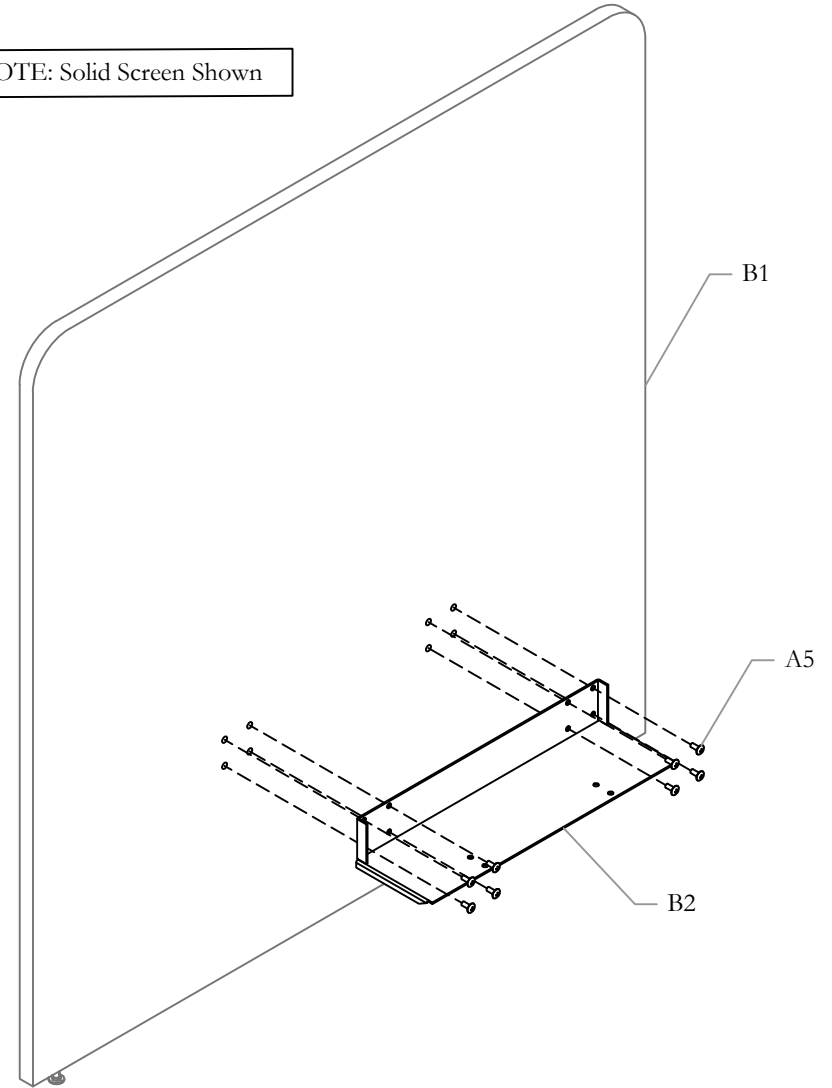
<b>A</b> - Double-Sided End of Run Screen - Framed Fabric (HWBTWF) x1 Mounting Bracket Kit - Fabric (X01-4058) x1	<p><b>A1</b> - End of Run Screen - Framed Fabric (N01-6010-X) x1</p>
	<div style="display: flex; justify-content: space-around;"> <div style="text-align: center;"> <p><b>A2</b> - End of Run Screen Mounting Brkt (A16-9915) x1</p> <p><b>A4</b> - M6x16 Hex Bolt (E01-1409) x4</p> </div> <div style="text-align: center;"> <p><b>A3</b> - End of Run Screen Cover (A16-9916-X) x1</p> <p><b>A5</b> - 1/4-20x5/8" Screw (E01-0098) x4</p> </div> </div>
<b>OR</b> <b>B</b> - Double-Sided End of Run Screen - Solid (HWBTWS) x1 Mounting Bracket Kit - Solid (X01-4053) x1	<p><b>B1</b> - End of Run Screen - Solid (C07-8073X-X) x1</p>
	<div style="display: flex; justify-content: space-around;"> <div style="text-align: center;"> <p><b>B2</b> - End of Run Screen Mounting Brkt (A16-9915) x1</p> <p><b>B4</b> - M6x16 Hex Bolt (E01-1409) x4</p> </div> <div style="text-align: center;"> <p><b>B3</b> - End of Run Screen Cover (A16-9916-X) x1</p> <p><b>B5</b> - 1/4-20x5/8" Screw (E01-0098) x8</p> </div> </div>

## ATTACH MOUNTING BRACKET

NOTE: Framed Fabric Screen Shown



NOTE: Solid Screen Shown



STEP 1: Attach and secure the Mounting Bracket to the Screen as shown.

# height-adjustable bench *Installation Guides*

Section: HISPAC CASUAL SPACE DIVISION

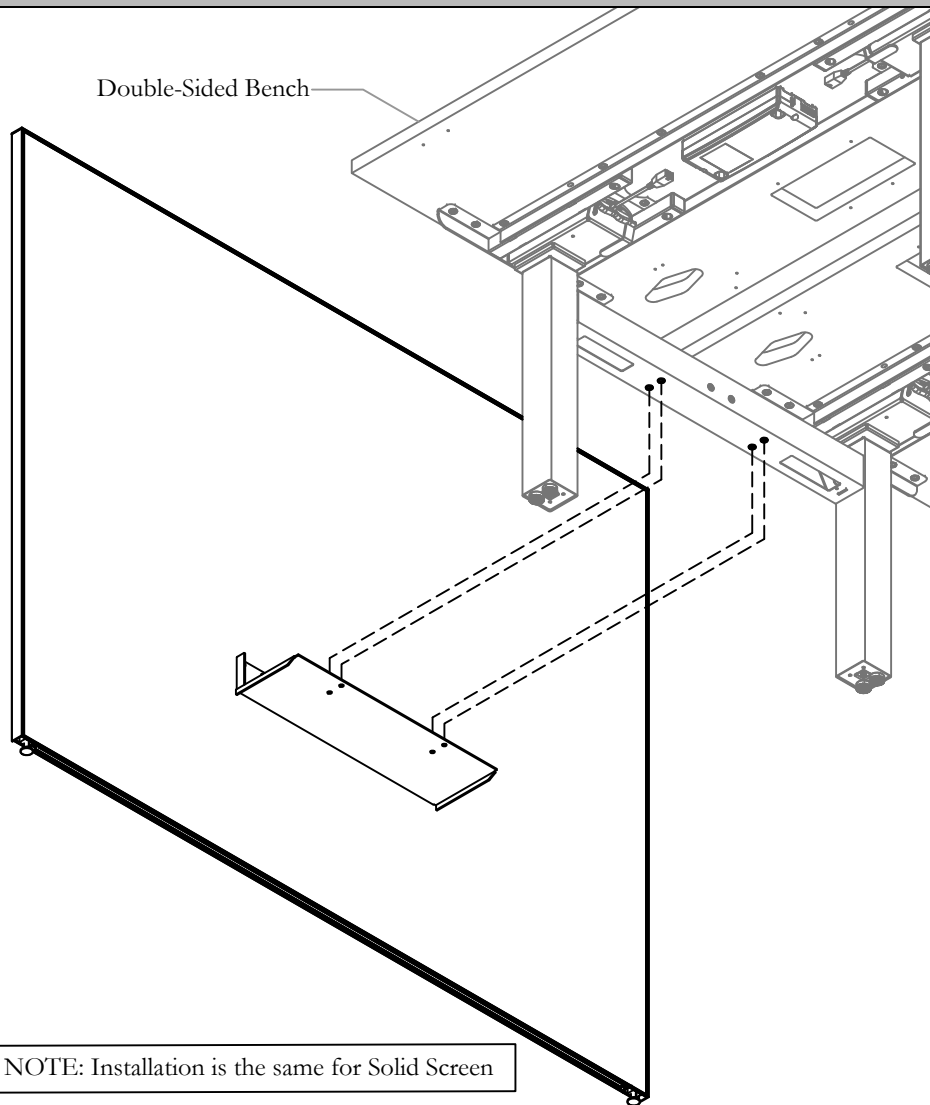
Description: END OF RUN SCREENS

teknion

Date: Sept 2021 Page No: 3 of 5  
HABH\_216

## ALIGN SCREEN ASSEMBLY

Double-Sided Bench

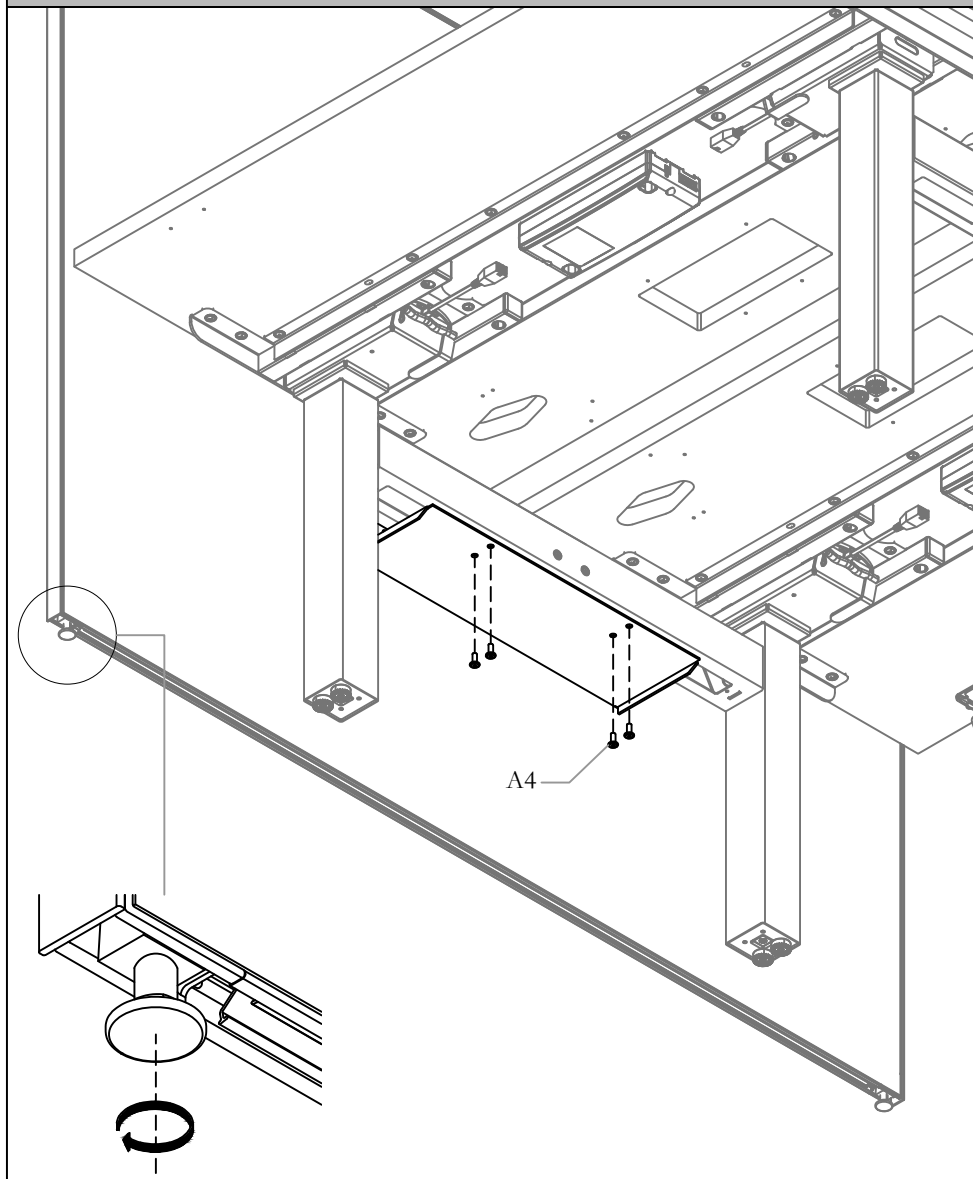


NOTE: Installation is the same for Solid Screen

NOTE: Wires are hidden illustration purposes.

STEP 2: Align the Screen Assembly with the Connecting Tube on the Frame.

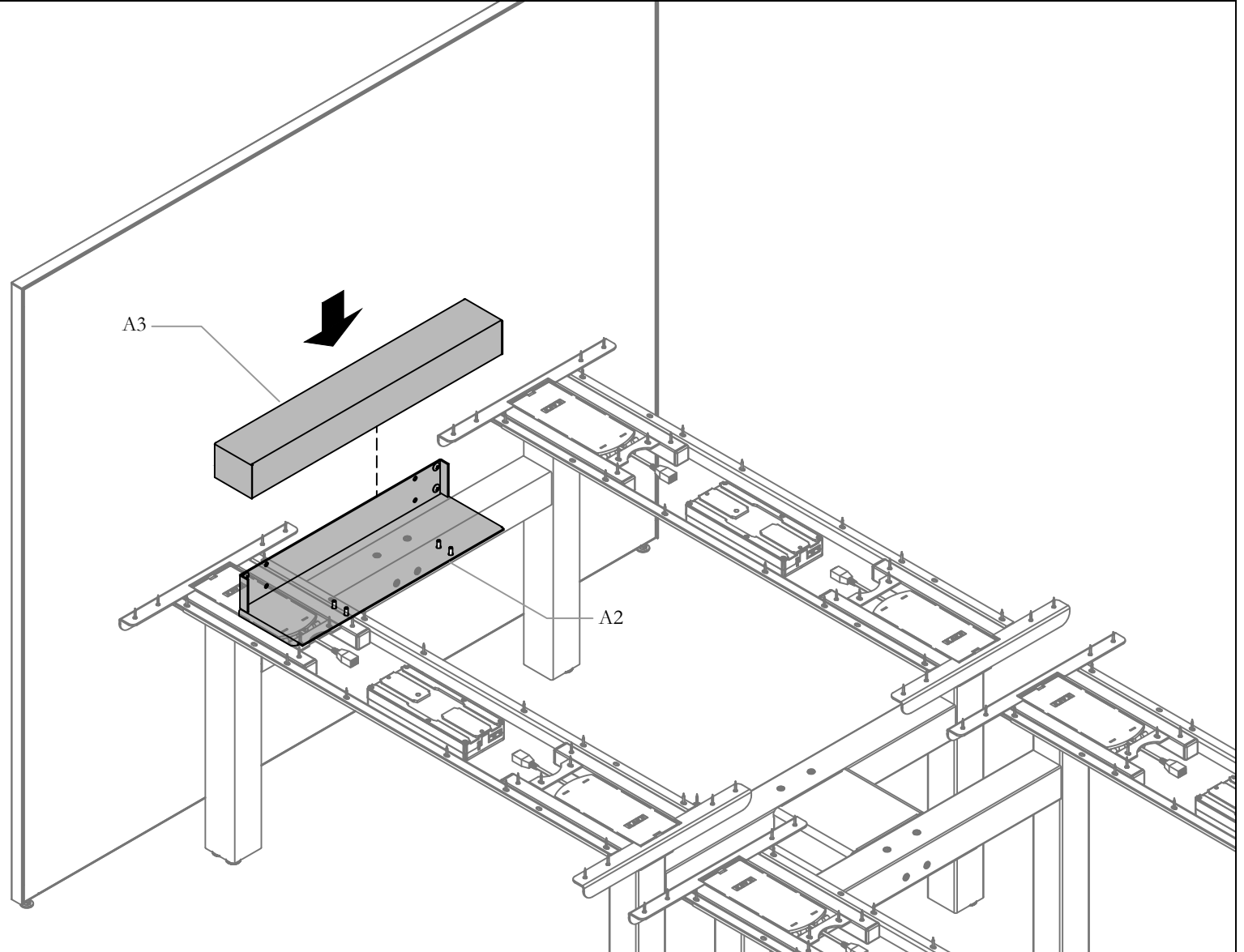
## SECURE TO FRAME



STEP 3: Secure The Frame to the Underside of the Frame using the provided Screws. Adjust Leveller Bolts as needed by rotating.

ATTACH SCREEN COVER

NOTE: Worksurfaces and wires are hidden illustration purposes.



STEP 4: Attach the Screen Cover onto the Mounting Bracket by placing in from the top.

# height-adjustable bench *Installation Guides*

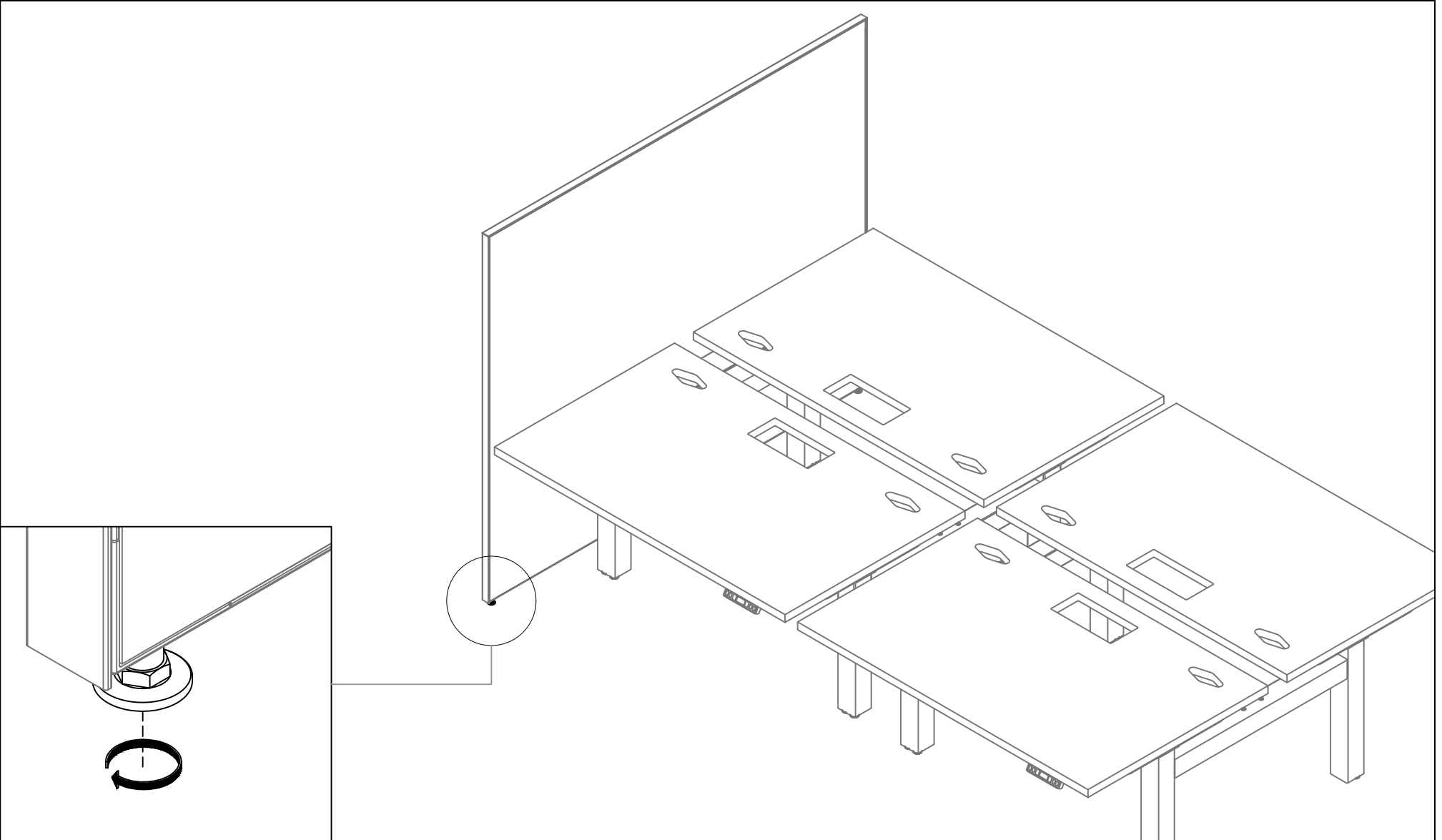
Section: HISPAC CASUAL SPACE DIVISION

Description: END OF RUN SCREENS

teknion

Date: Sept 2021 Page No: 5 of 5  
HABH\_216

## ADJUST LEVELLERS



STEP 5: Adjust the Levellers as needed to ensure the Screen rests properly on the floor.

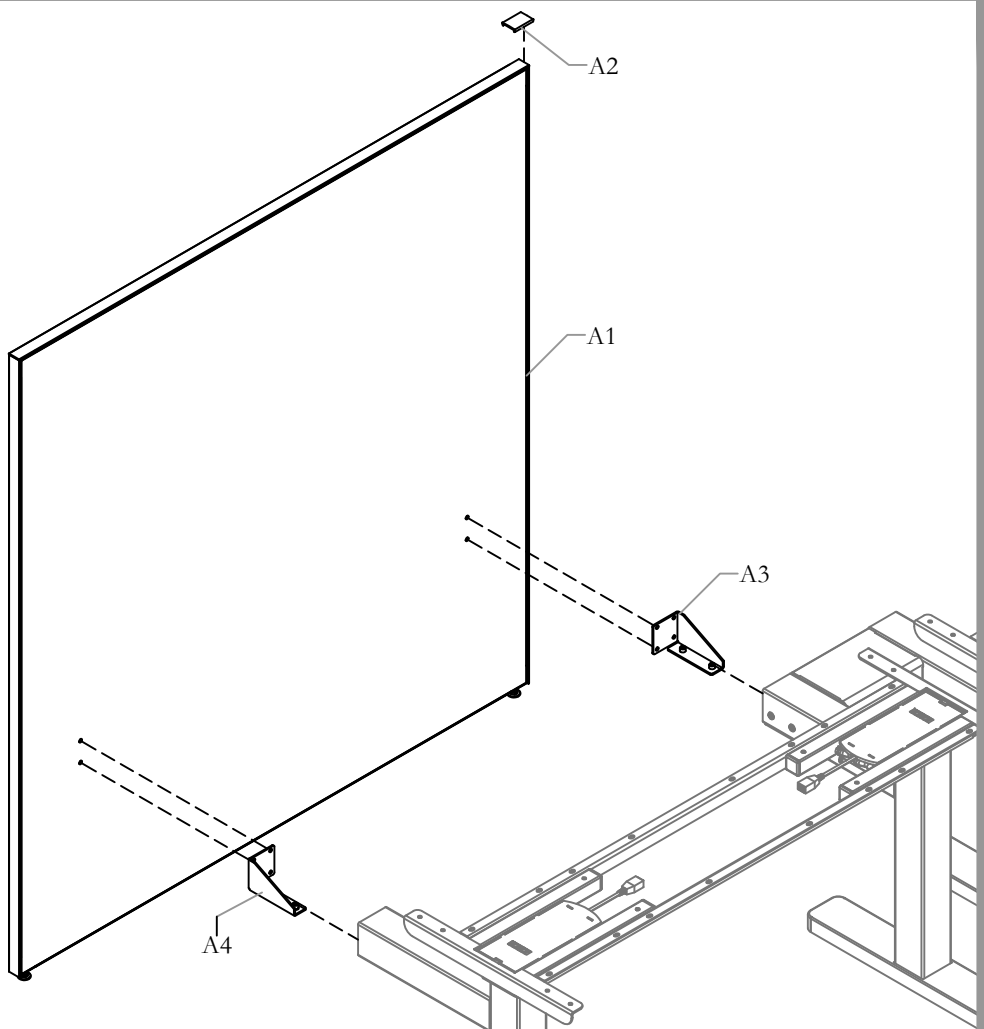
# height-adjustable bench Installation Guides

Section: **HISPACE CASUAL SPACE DIVISION**  
 Description: **SINGLE-SIDED CORRIDOR SCREENS**

Date: Nov 2022 Page No: 1 of 6  
 HABH\_217 Rev. No: 2

Single-Sided Corridor Screen - Framed Fabric (HWBLSF),  
 Single-Sided Corridor Screen - Solid (HWBLSS)  
 hiSpace Single-Sided Corridor Screen Alignment Clip - Solid (HWBLBS)

## Part and Product Identification



NOTE: Framed Fabric Screen Shown

<p><b>A</b> - Single-Sided Corridor Screen - Framed Fabric (HWBLSF) x1</p>		<p><b>A1</b> - Single-Sided Corridor Screen- Framed Fabric (N01-6226-X) x1</p>
<p>Single Sided Corridor Screen Mounting Kit (X01-4066) x1</p>		<p><b>A3</b> - Corridor Screen Mounting Brkt (N01-5183L) x1</p> <p><b>A4</b> - Corridor Screen Mounting Brkt (N01-5183R) x1</p>
<p><b>OR B</b> - Single-Sided Corridor Screen - Solid (HWBLSS) x1</p>		<p><b>B1</b> - Single-Sided Corridor Screen- Solid (C07-7001-X) x1</p>
<p>Single Sided Corridor Screen Mounting Kit (X01-4064) x1</p>		<p><b>B2</b> - Corridor Screen Mounting Brkt (N01-5183L) x1</p> <p><b>B3</b> - Corridor Screen Mounting Brkt (N01-5183R) x1</p>
<p><b>C</b> - Single Sided Corridor Screen Alignment Clip - Solid (HWBLBS) x1</p>		<p><b>C1</b> - Wood Screen Alignment Plate (A26-0690) x1</p> <p><b>C2</b> - Wood Screen Alignment Cover (A26-0691) x1</p> <p><b>C3</b> - #8x6/8" Wood Screw (E07-122) x4</p>

**A2** -Alignment Clip (B02-0870) x1

**A6** - M6x16mm Chrome Screw (E01-1409) x4

**A6** - 1/4-20x6/8" Machine Screw (E01-0098) x4

**B4** - M6x16mm Chrome Screw (E01-1409) x4

**B6** - 1/4-20x6/8" Machine Screw (E01-0098) x8

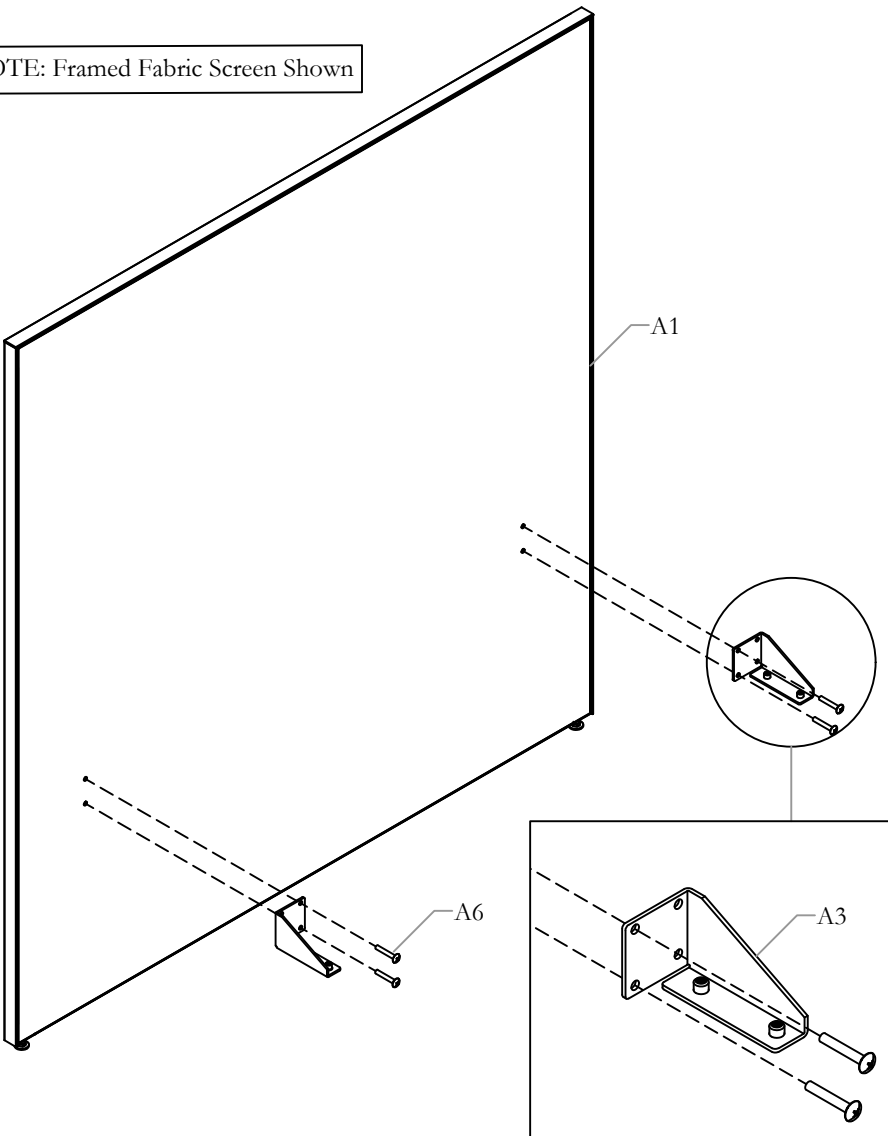


Section: **HISPACE CASUAL SPACE DIVISION**  
Description: **SINGLE-SIDED CORRIDOR SCREENS**

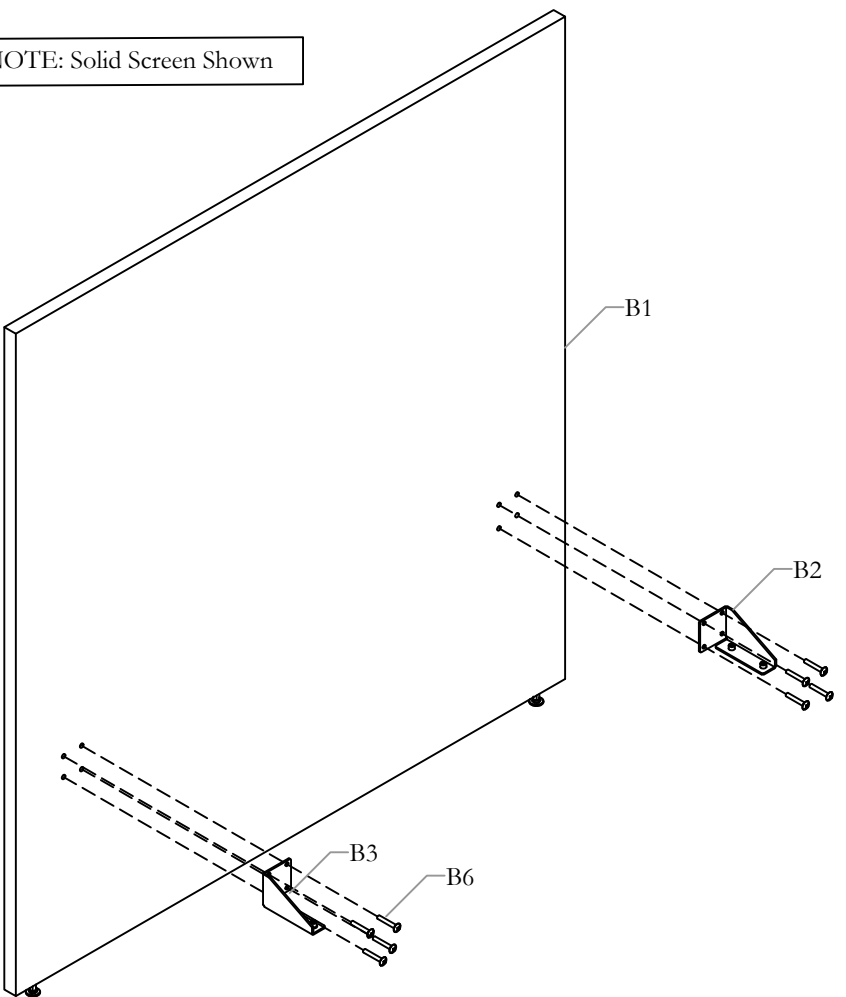
Date: Nov 2022 Page No: 2 of 6  
HABH\_217

**ATTACH MOUNTING BRACKETS**

NOTE: Framed Fabric Screen Shown



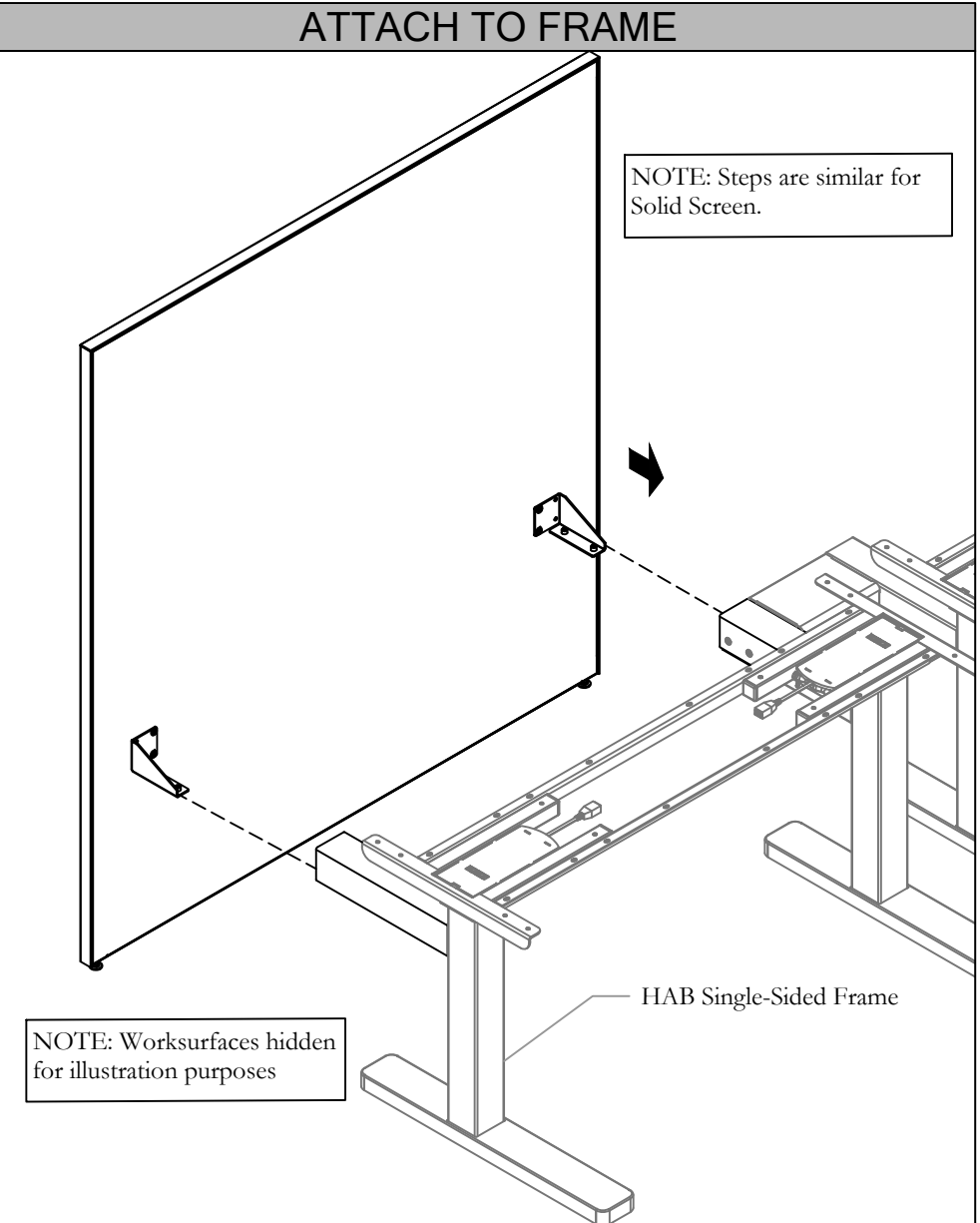
NOTE: Solid Screen Shown



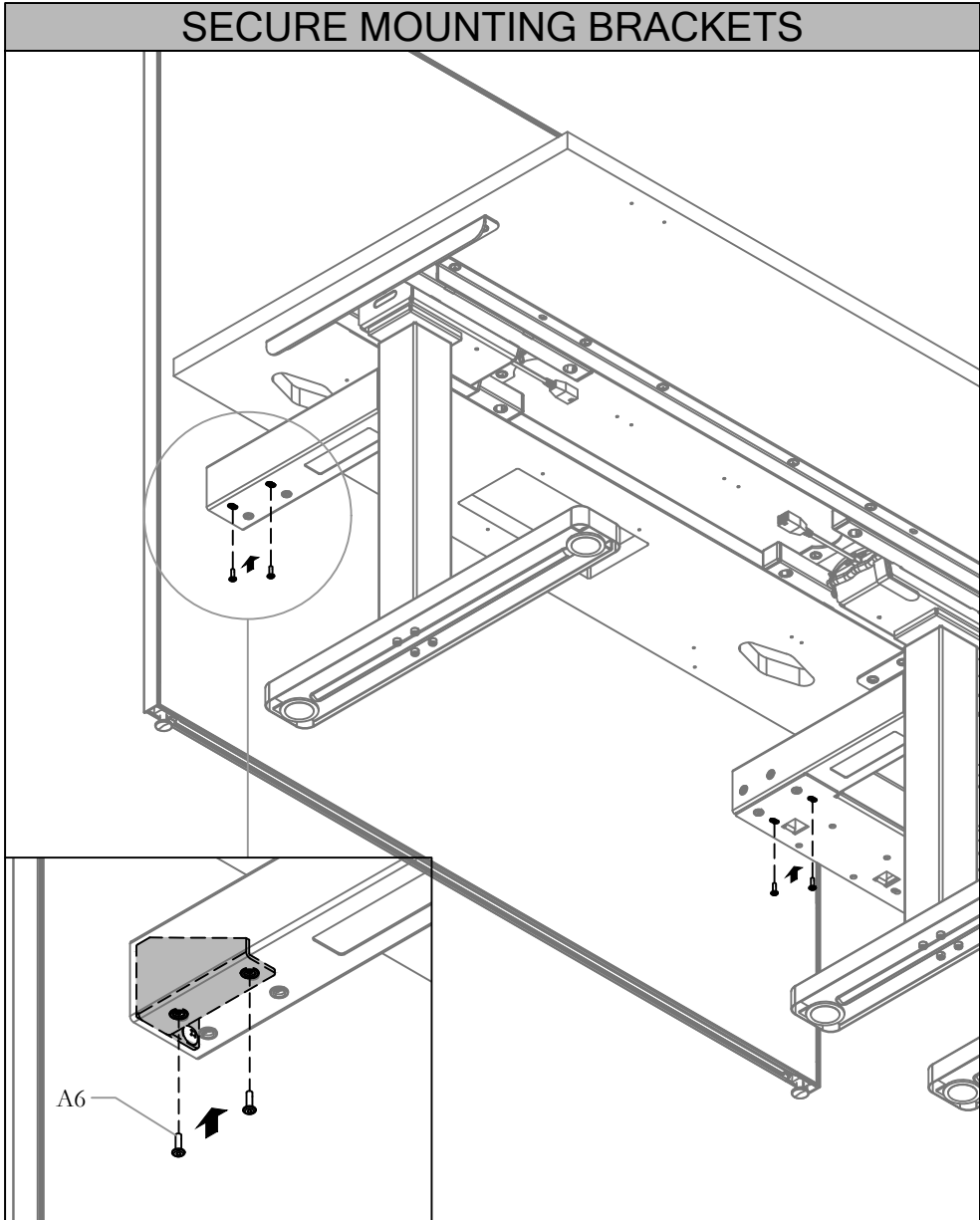
STEP 1: Attach Mounting Brackets to Screen using provided Screws as shown.

Section: **HISPACE CASUAL SPACE DIVISION**  
Description: **SINGLE-SIDED CORRIDOR SCREENS**

Date: Nov 2022 Page No: 3 of 6  
HABH\_217



STEP 2: Attach the screen to the frame by inserting Mounting Brackets into the Connecting Tubes of the Frame.

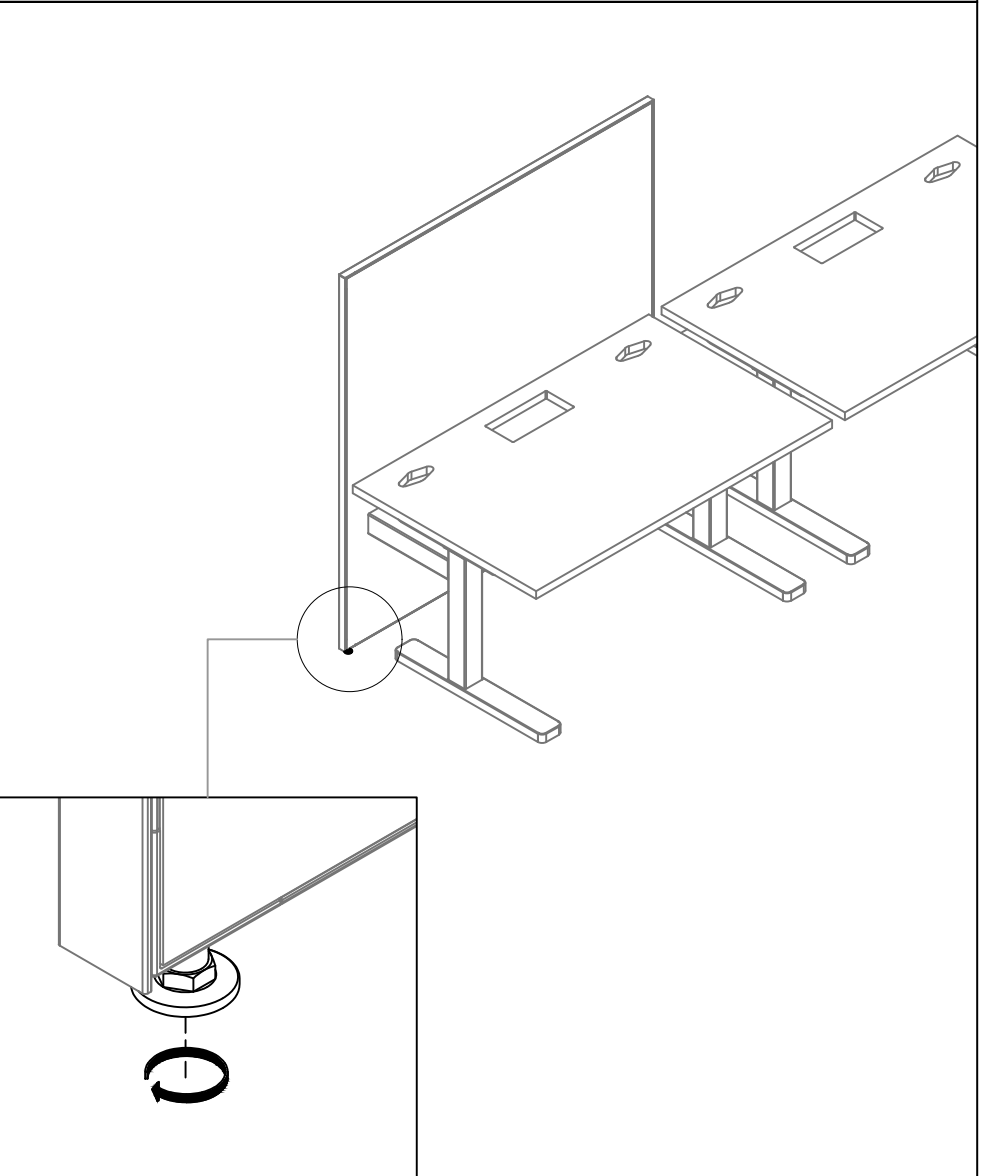


STEP 3: Secure the Mounting Brackets to the frame from the underside of the Connecting Tubes using provided screws.

Section: **HISPACE CASUAL SPACE DIVISION**  
Description: **SINGLE-SIDED CORRIDOR SCREENS**

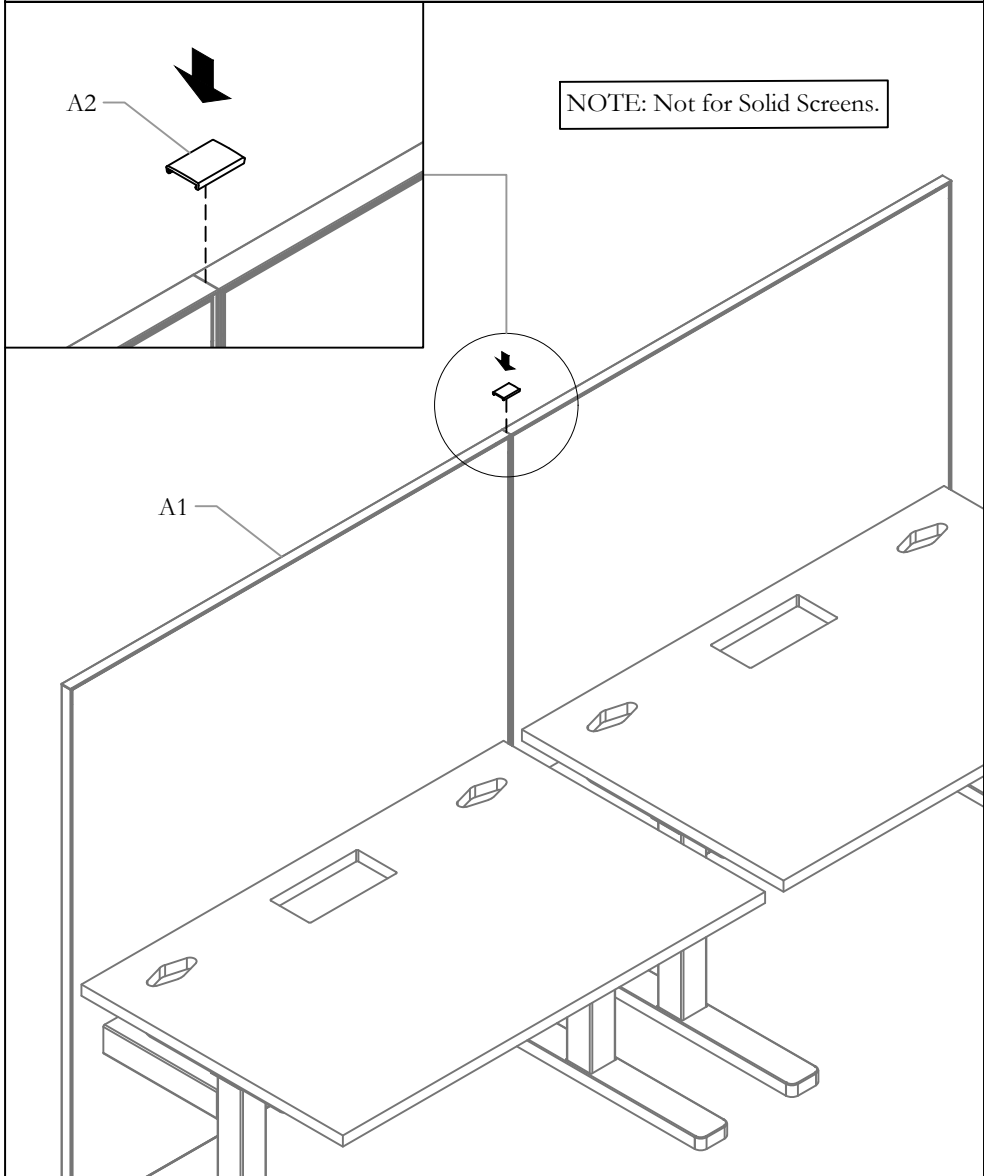
Date: Nov 2022 Page No: 4 of 6  
HABH\_217

**ADJUST LEVELLERS**



STEP 4: Adjust the Levellers as needed by rotating to ensure the Screen rests properly on the floor.

**ALIGN SCREENS : FABRIC**

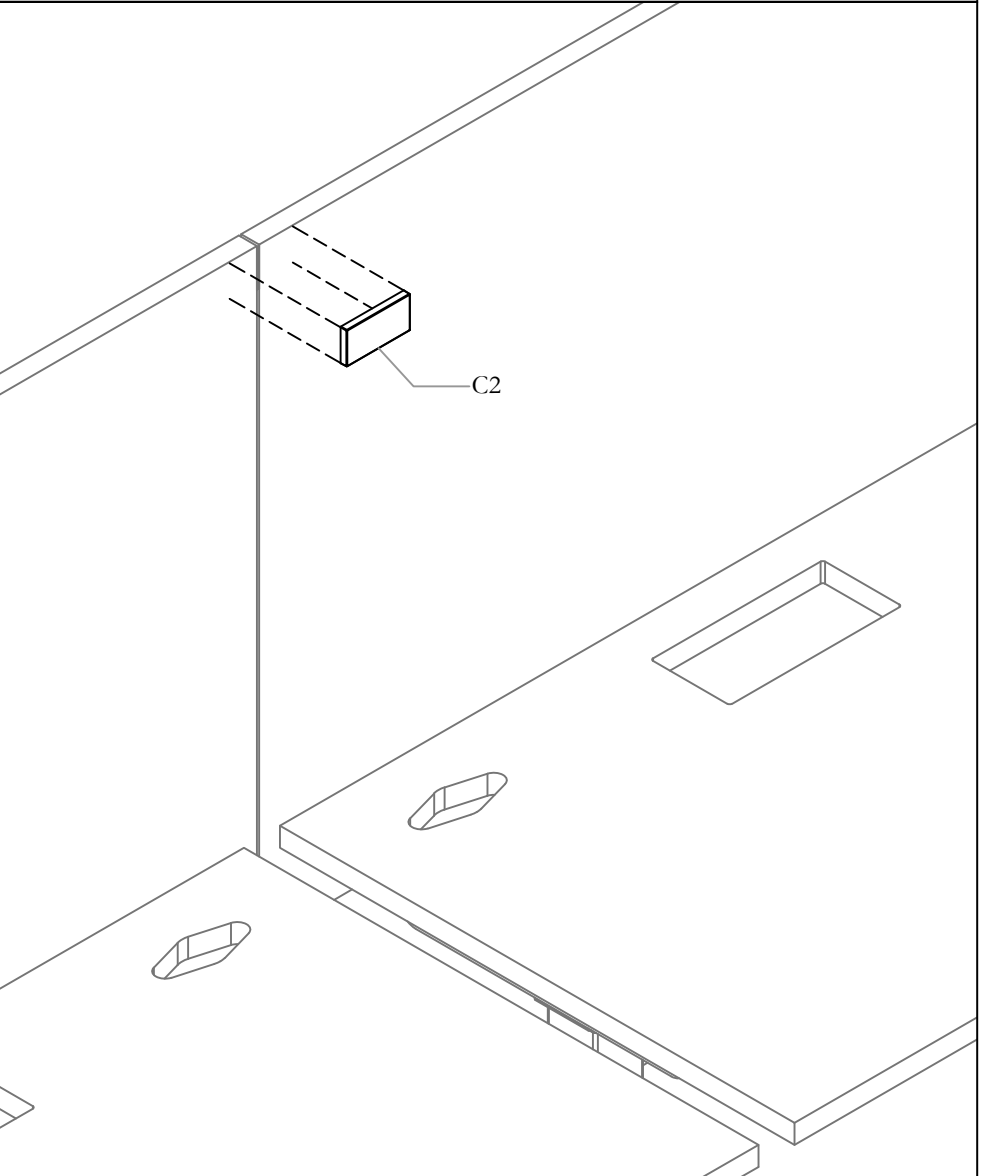


STEP 5: If multiple screens are specified use the Alignment Clip to secure them together by placing on top and snapping in place. Adjust levellers as needed to align screens.

Section: **HISPACE CASUAL SPACE DIVISION**  
Description: **SINGLE-SIDED CORRIDOR SCREENS**

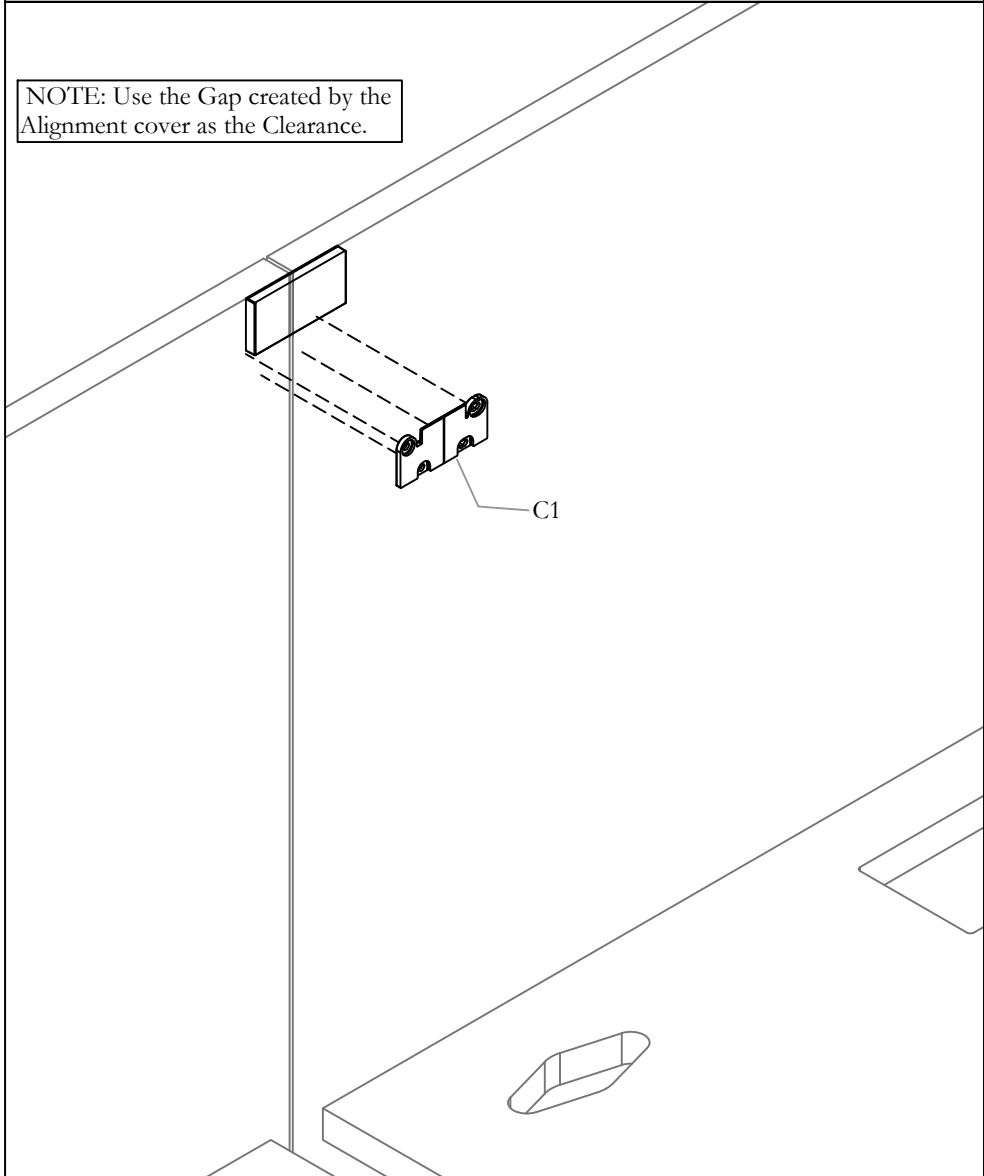
Date: Nov 2022 Page No: 5 of 6  
HABH\_217

**POSITION ALIGNMENT COVER**



STEP 6: If Specified, Position Alignment Cover to the Top Edge of the Screen

**POSITION ALIGNMENT PLATE**

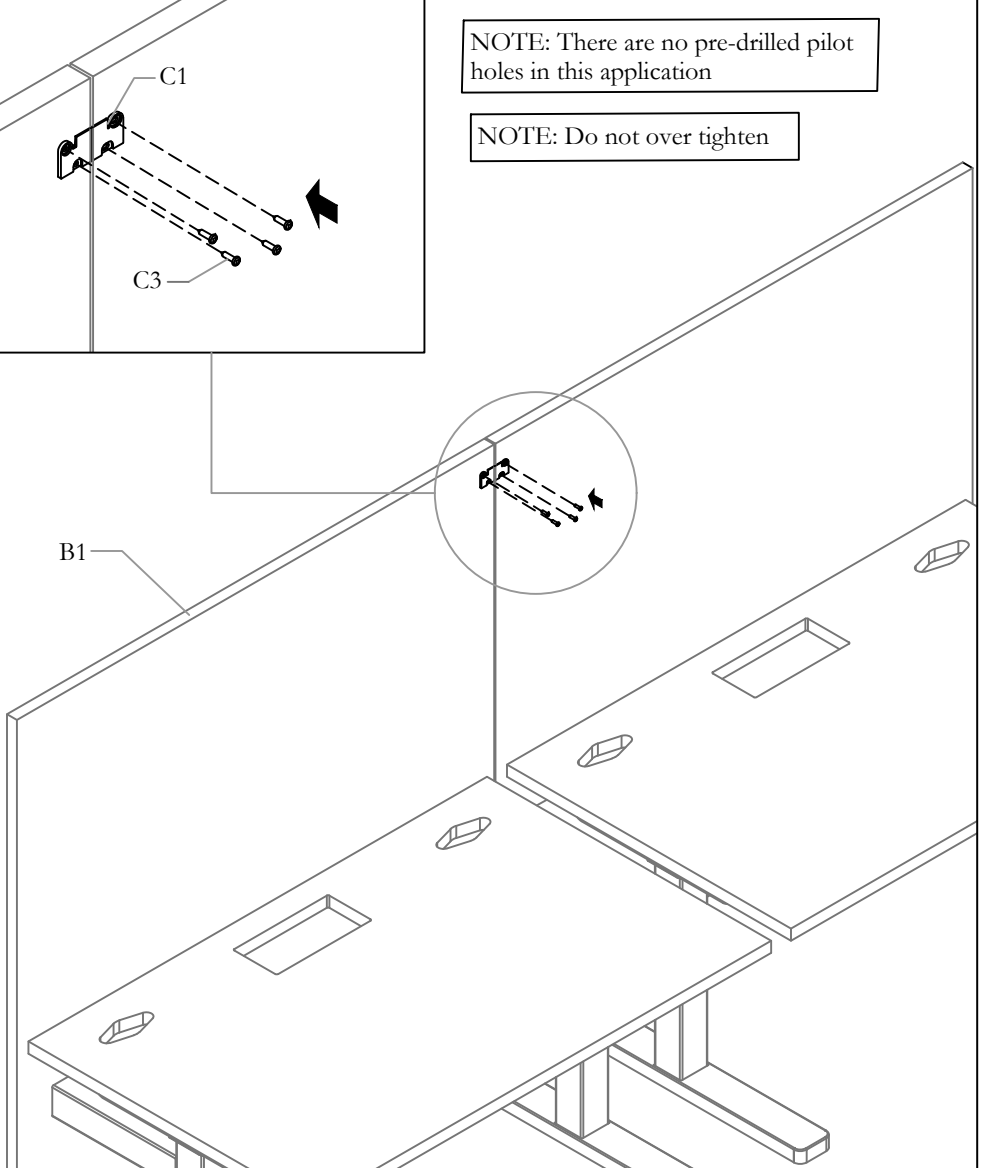


STEP 7: Position the Alignment Plate to the Bottom Edge of the Alignment Cover, use the Alignment Cover as Clearance

# height-adjustable bench *Installation Guides*

Section: **HISPACE CASUAL SPACE DIVISION**  
Description: **SINGLE-SIDED CORRIDOR SCREENS**

## ALIGN SCREENS: SOLID



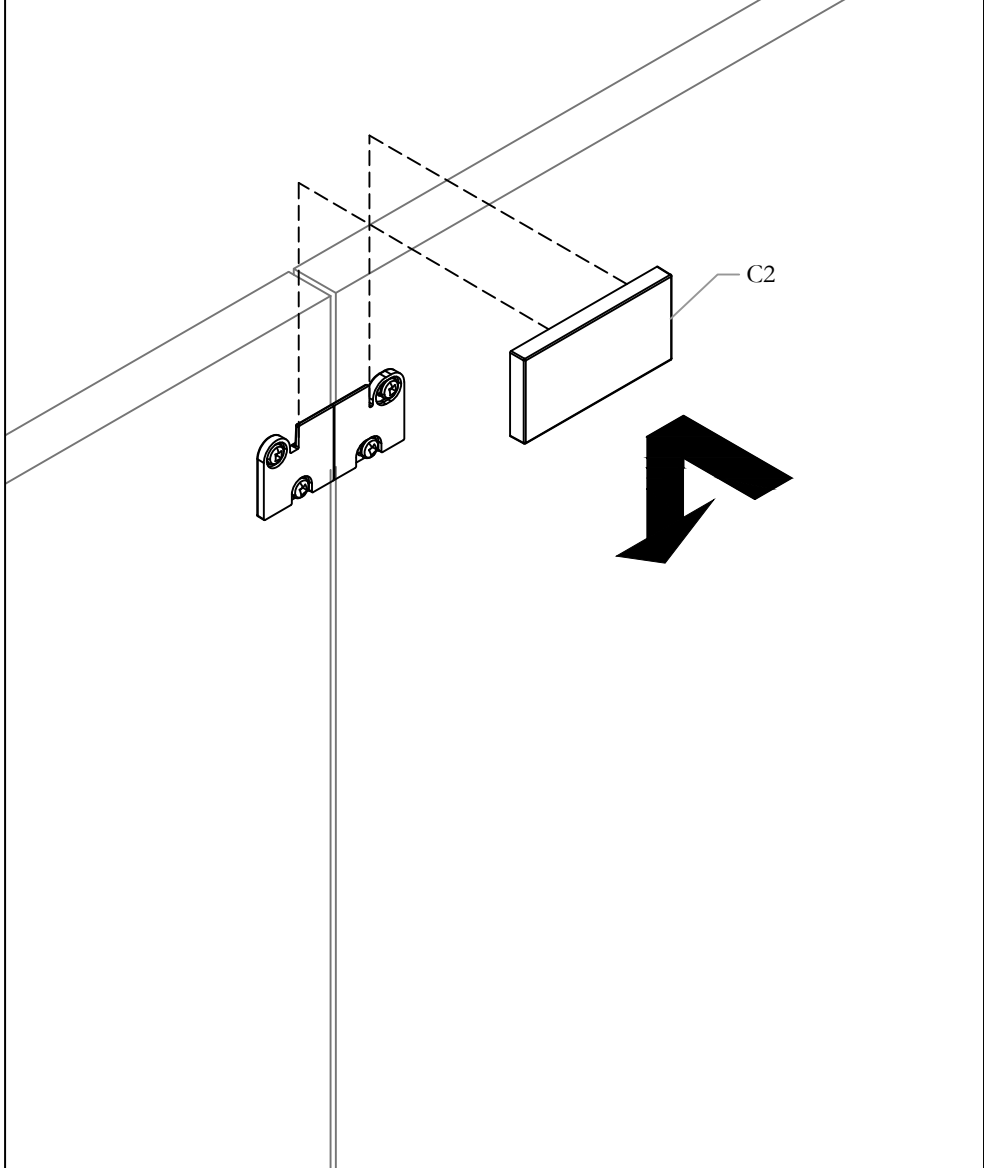
NOTE: There are no pre-drilled pilot holes in this application

NOTE: Do not over tighten

STEP 8: Secure the Alignment plate to the screens using the provided Wood Screws.

NOTE: There are no pre-drilled pilot holes in this application.

## PLACE COVER



STEP 9: Place the Alignment Cover on the plate and snap in place.

# height-adjustable bench *Installation Guides*

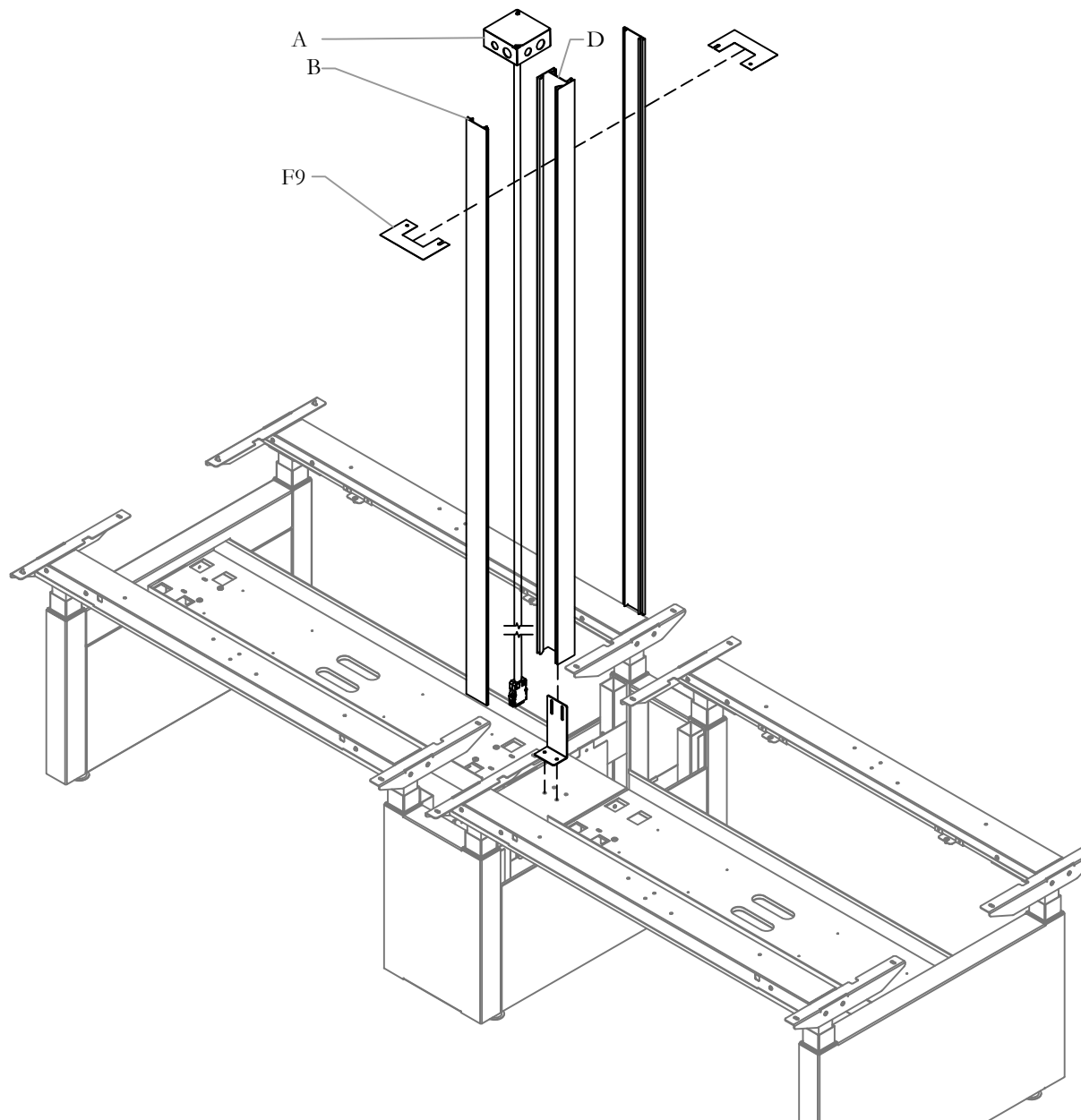
Section: **ELECTRICS**

Description: **HISPACE - CEILING FEED AND POWER POLE**

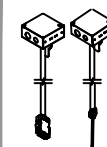
teknion

Date: May 2017 Page No: 1 of 9  
HABH\_312 Rev. No: 3

hiSpace Ceiling Feed (HHBECF), hiSpace Chicago Ceiling Feed (HHBECFCH),  
hiSpace Power Pole (HHBEPP)



## Part and Product Identification



**A** - Ceiling Feed (HHBECF) x1 or  
-Chicago Ceiling Feed (HHBECFCH)x1



**B**-PowerPole Cover Top  
(AEA23-E014-  
ECPQ72) x2



**C** - Power Pole Cover Base  
(AEA23-E014-10) x2



**D** - Upper Power Pole  
(AEA21-0200-  
ECPQ72) x1



**E** - Lower Power Pole  
(AEA21-0200-09) x1

X01-4351



**F1**-White Snap Cap  
(FM315-902) x2



**F7** -Grip Washer  
(FW 0.25) x 2



**F2**-#8-32 x 7/16"  
Prong T- Nut  
(FN8-32x7/16T4)x2



**F8**-Extension Bracket  
(MPA15-E152) x 1



**F3**-8-5/8" L Round  
Head Quad DriveB  
(FS8-5/8RRB) x6



**F9** - Ceiling Plates  
(MPA15-2666) x2



**F4**-Plastic Wire Tip or  
Cap(PCAPLUG8)x4



**F10**- Nut Hex  
(FN1/4 -20)x2



**F5**-Long screw for  
ECPQ(FS1/4 -20  
-5/8RPM)x2



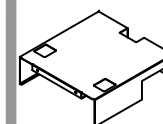
**F11** -8-32 x 3/4" Quadrex  
For Ceiling Tile  
(FS8-32X3/4QRZ)x2



**F6** -Connecting Bracket  
(MPA15-E833) x 1



**F12**-8-32 x 3/4" Quad  
For Solid Ceiling Tile  
(FS8X3/4QPTEKS)x2



**F13** - Mid Gable Top Cove for Power Pole  
(MPA15-X834) x2

# height-adjustable bench *Installation Guides*

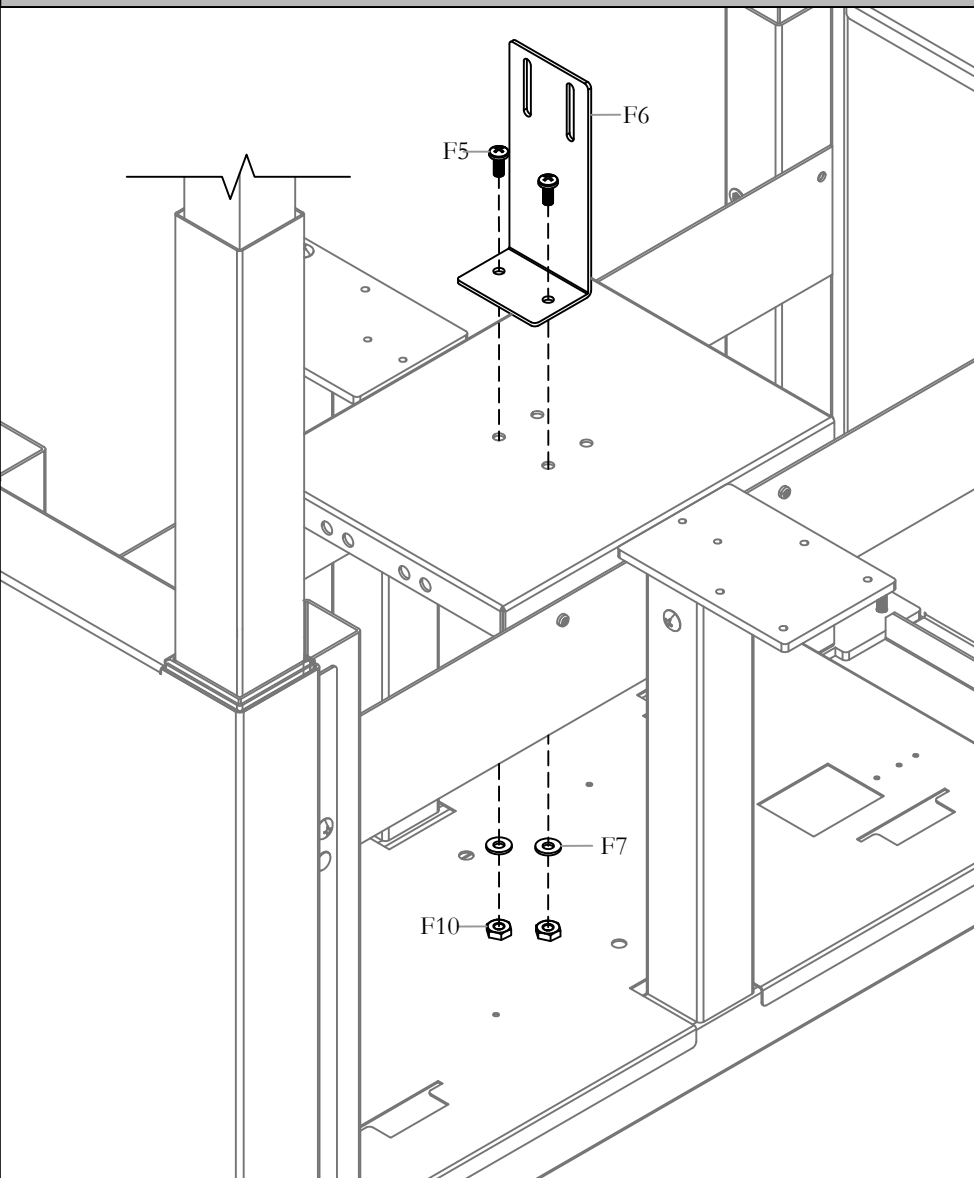
Section: **ELECTRICS**

Description: **HISPACE - CEILING FEED AND POWER POLE**

teknion

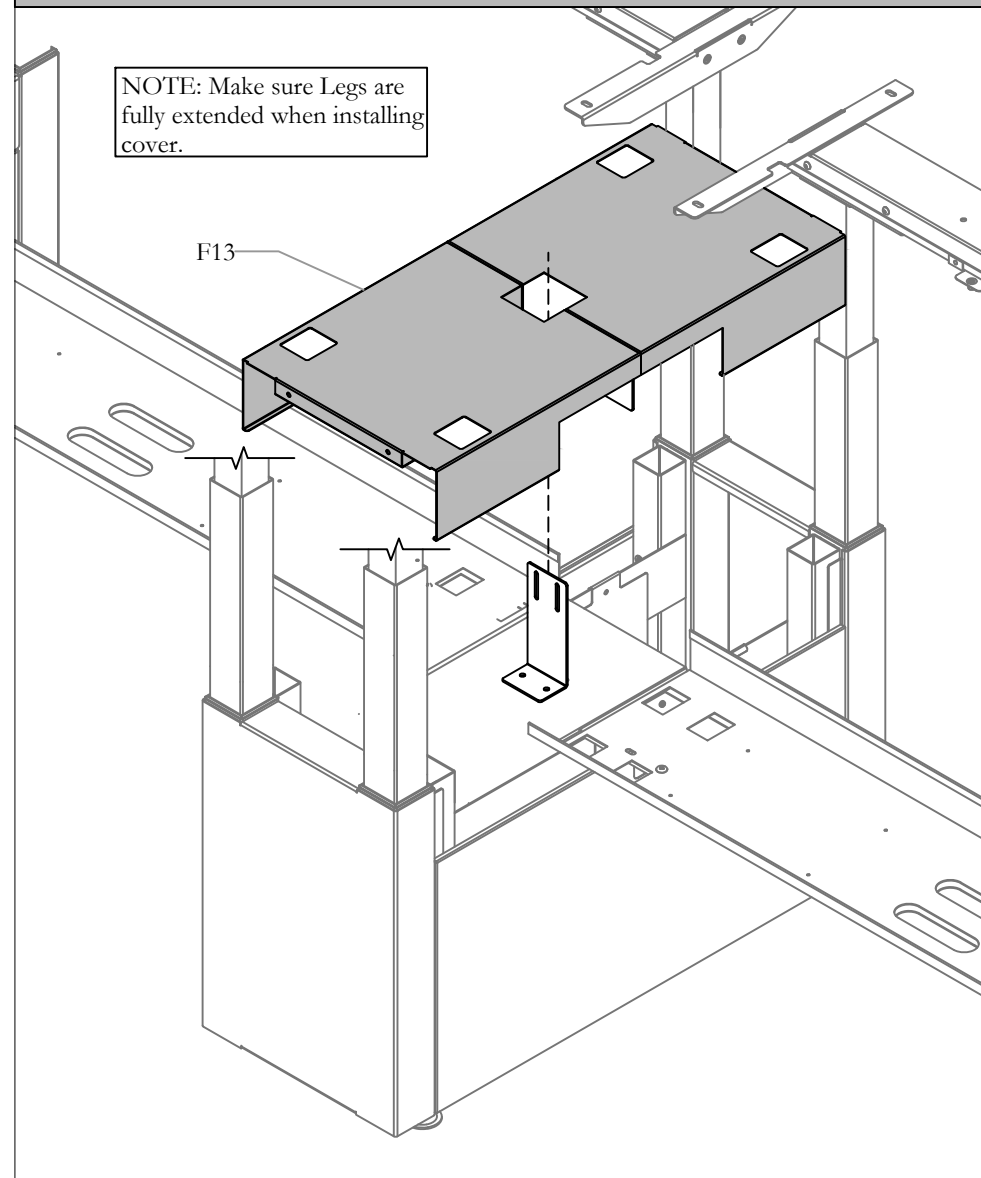
Date: May 2017 Page No: 2 of 9  
HABH\_312

## INSTALL BRACKET



STEP 1: Install Bracket to Mid Gable Top Mounting Plate.

## INSTALL COVER



STEP 2: Install Mid Gable Top Cover.

# height-adjustable bench *Installation Guides*

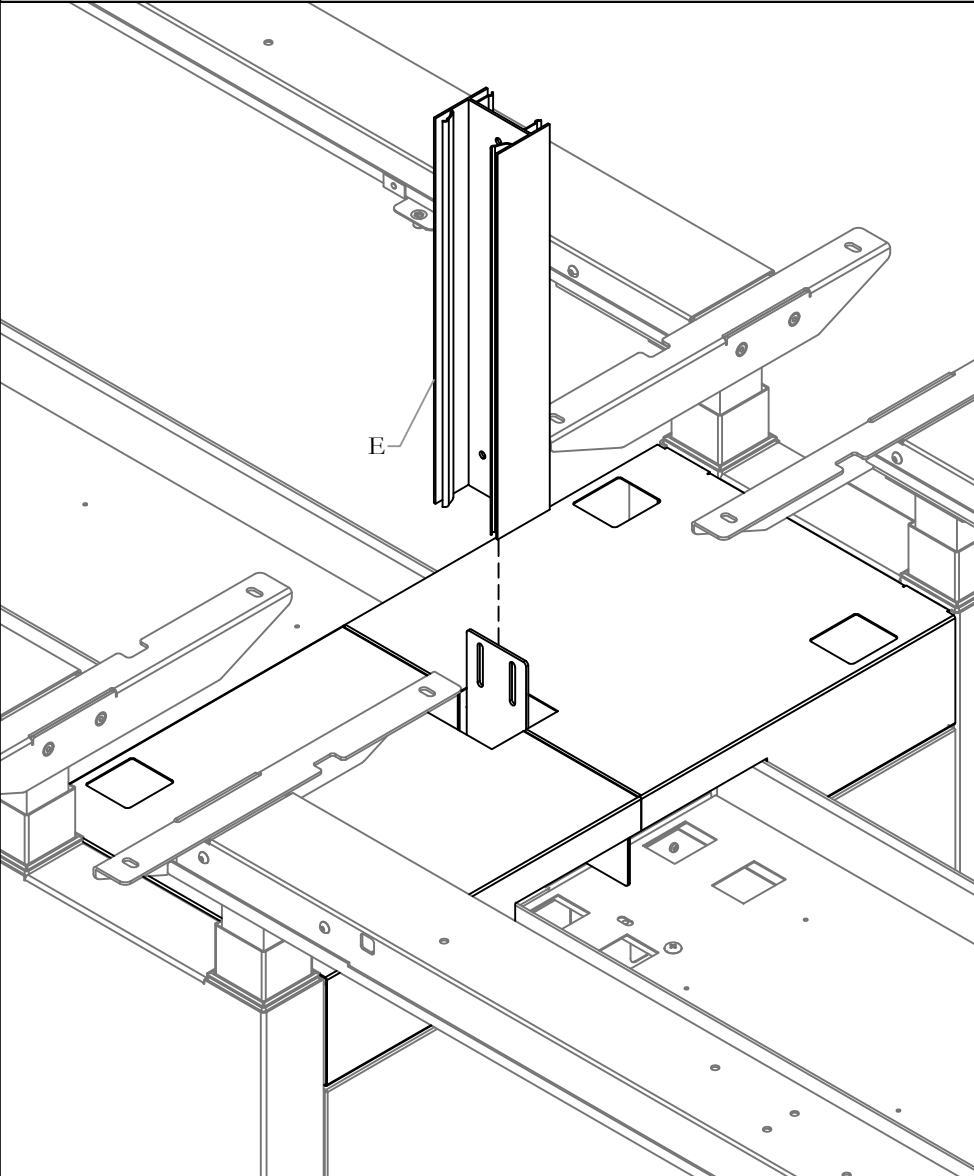
Section: **ELECTRICS**

Description: **HISPACE - CEILING FEED AND POWER POLE**

teknion

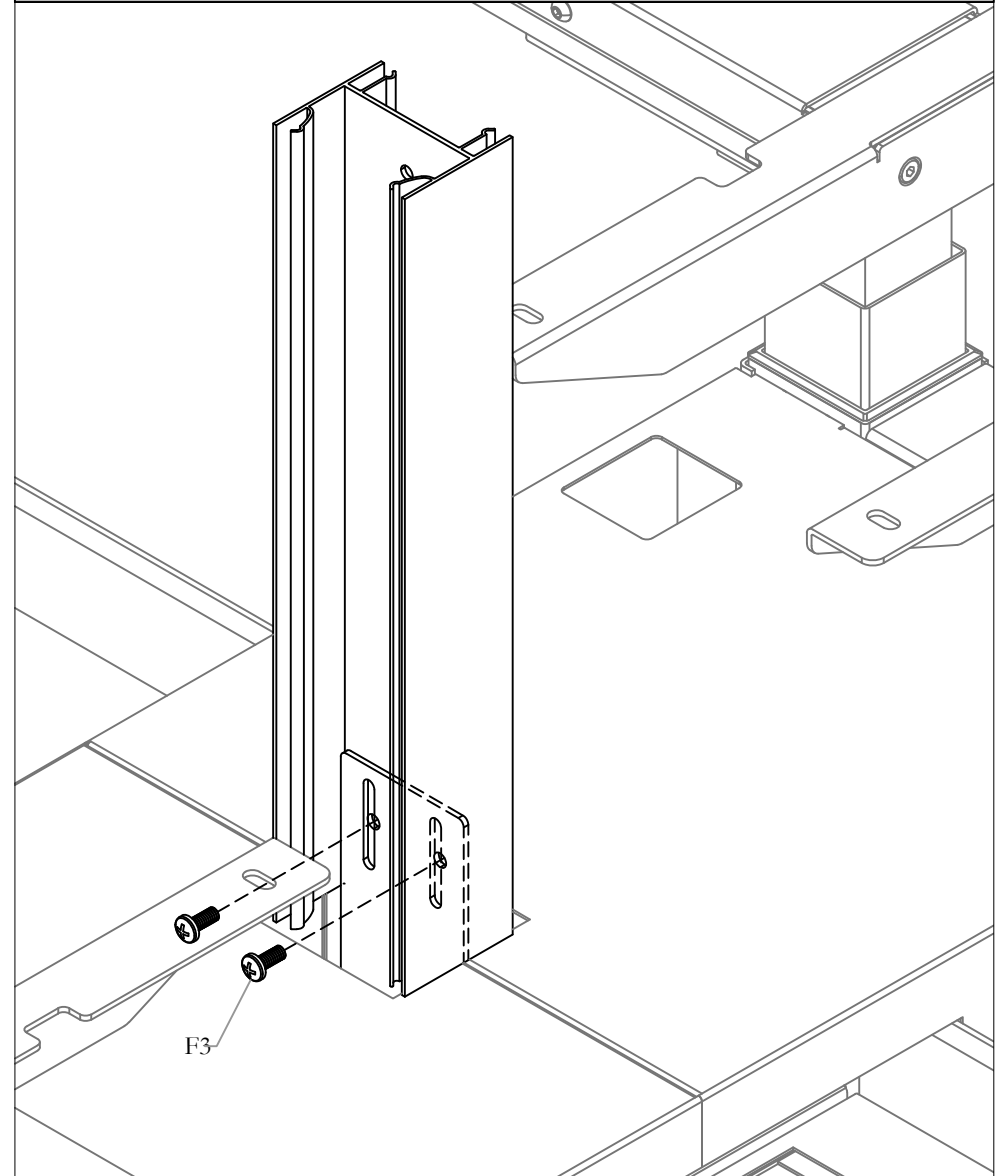
Date: May 2017 Page No: 3 of 9  
HABH\_312

## ATTACH LOWER EXTRUSION



STEP 3: Align and attach Lower Power Pole to Connecting Bracket as shown.

## SECURE BOTTOM EXTRUSION



STEP 4: Fasten Bracket to Lower Power Pole.



# height-adjustable bench *Installation Guides*

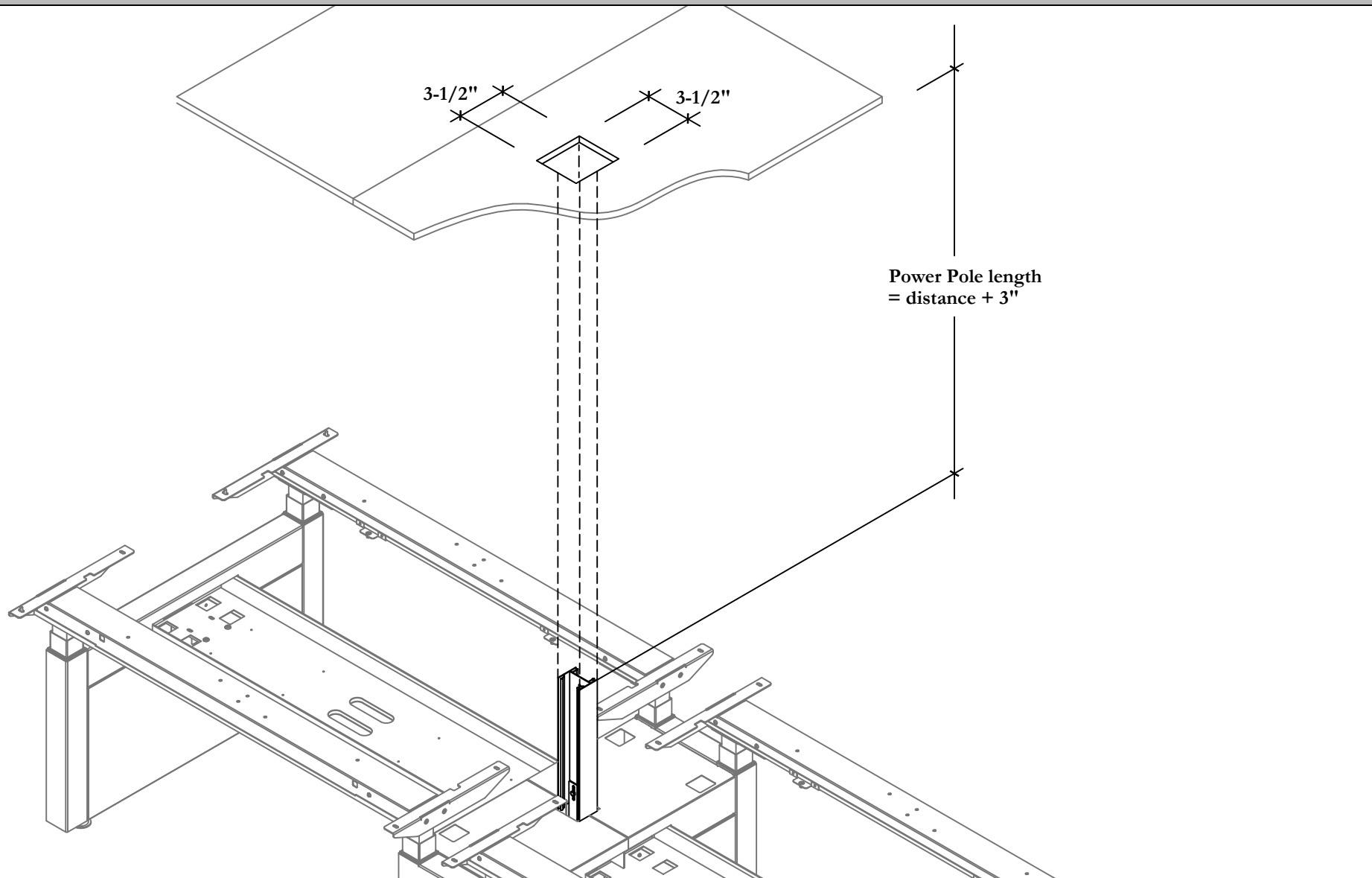
Section: **ELECTRICS**

Description: **HISPACE - CEILING FEED AND POWER POLE**

teknion

Date: May 2017 Page No: 4 of 9  
HABH\_312

## CEILING CUT OUT



STEP 5: Mark Power Pole position on the ceiling using Plum Bob Line. Cut 3-1/2" x 3-1/2" opening. Measure distance from top of the Lower Power pole Extrusion to the Ceiling. Add approximately 3" to that dimension and cut Power pole and power pole Cover to that measurement.

# height-adjustable bench *Installation Guides*

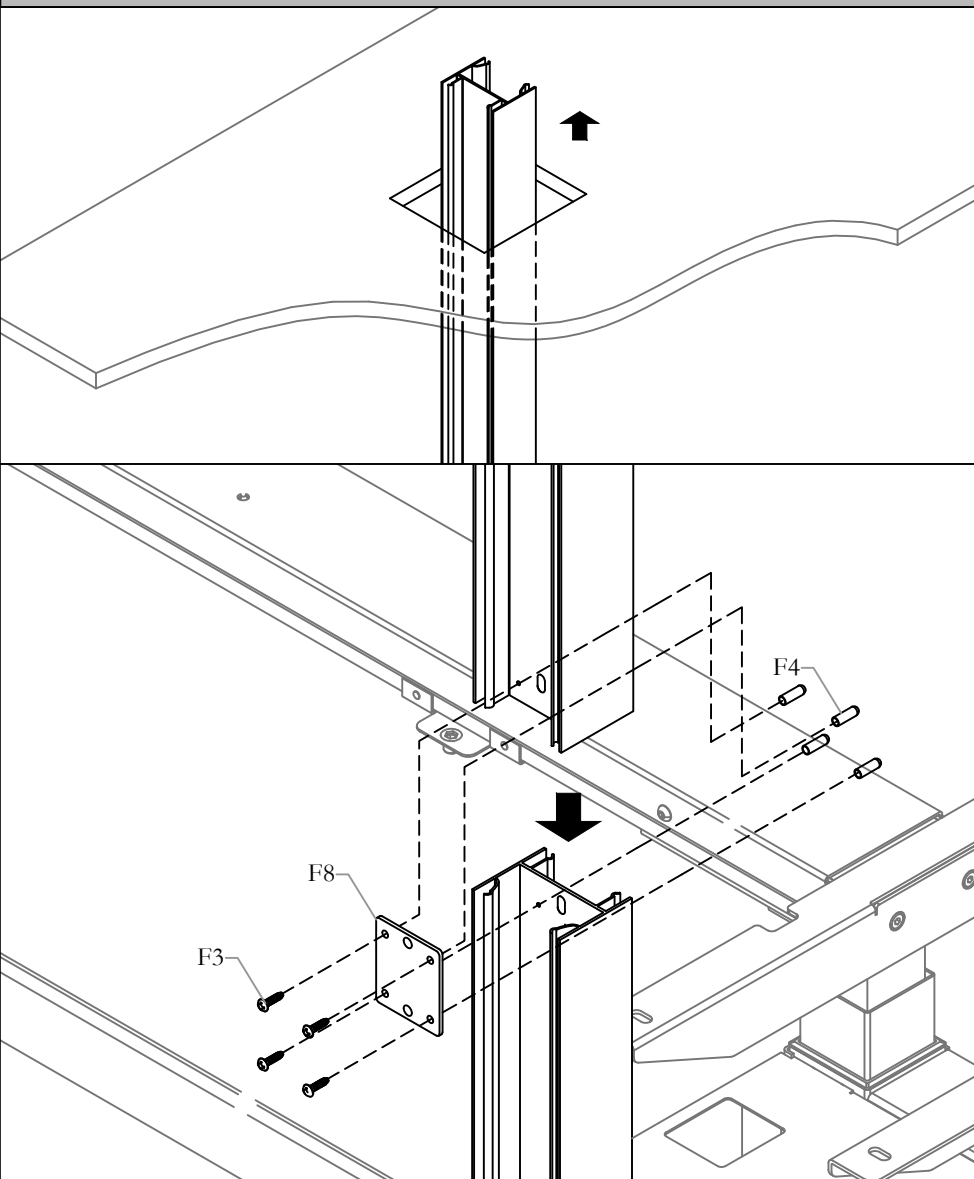
Section: **ELECTRICS**

Description: **HISPACE - CEILING FEED AND POWER POLE**

teknion

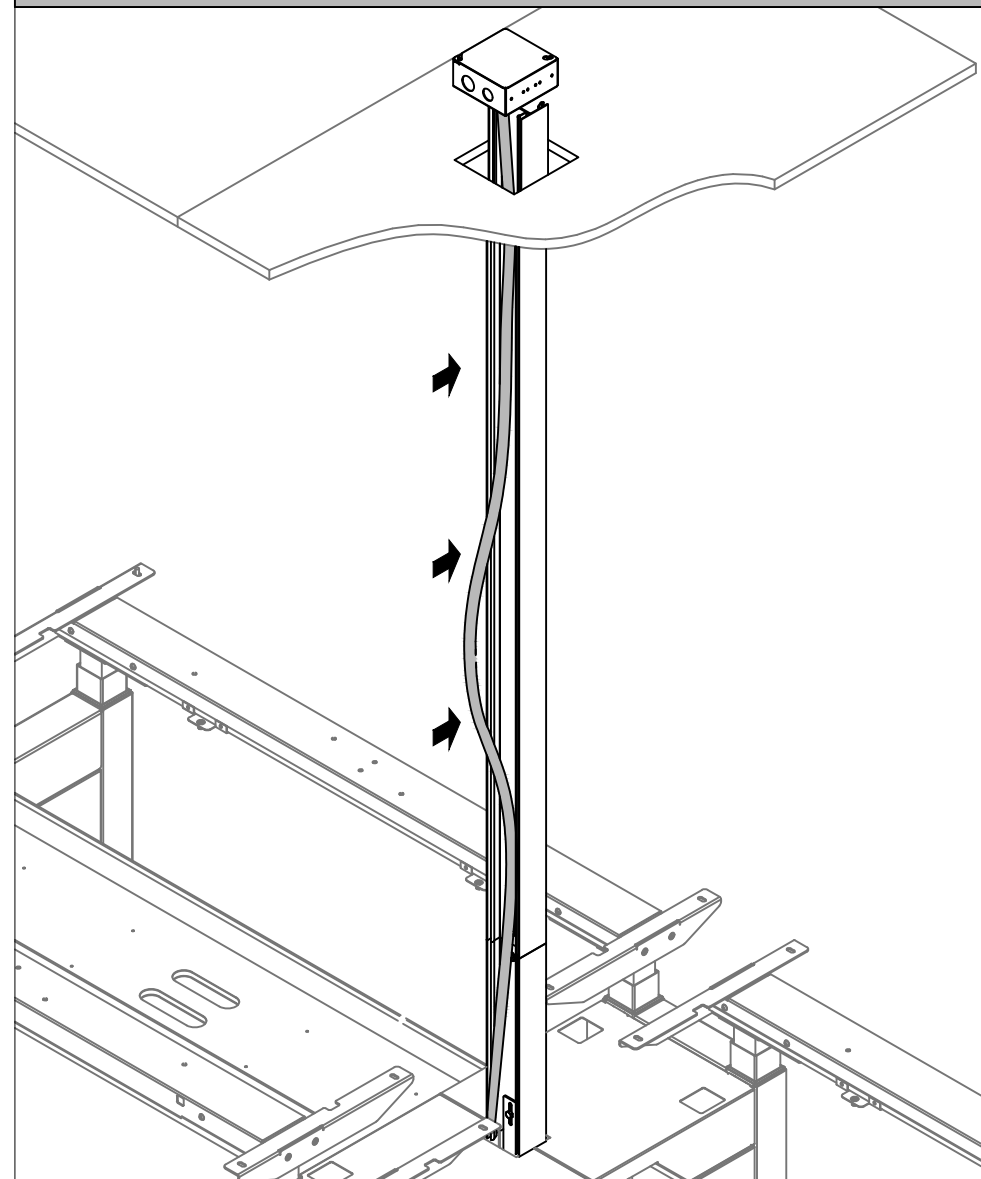
Date: May 2017 Page No: 5 of 9  
HABH\_312

## UPPER EXTRUSION ASSEMBLY



STEP 6: Insert Upper power Pole Extrusion inside ceiling cut-out (uncut edge down). Drop Power Pole Upper Extrusion on the top of Lower Extrusion and connect them together using Connection Plate and Screws.

## INSTALL HALF TRAY COVER



STEP 7: Drop Ceiling Feed cable down through ceiling cut-out down along the Power Pole. Slide Junction Box Bracket inside the Power Pole Extrusion.

# height-adjustable bench *Installation Guides*

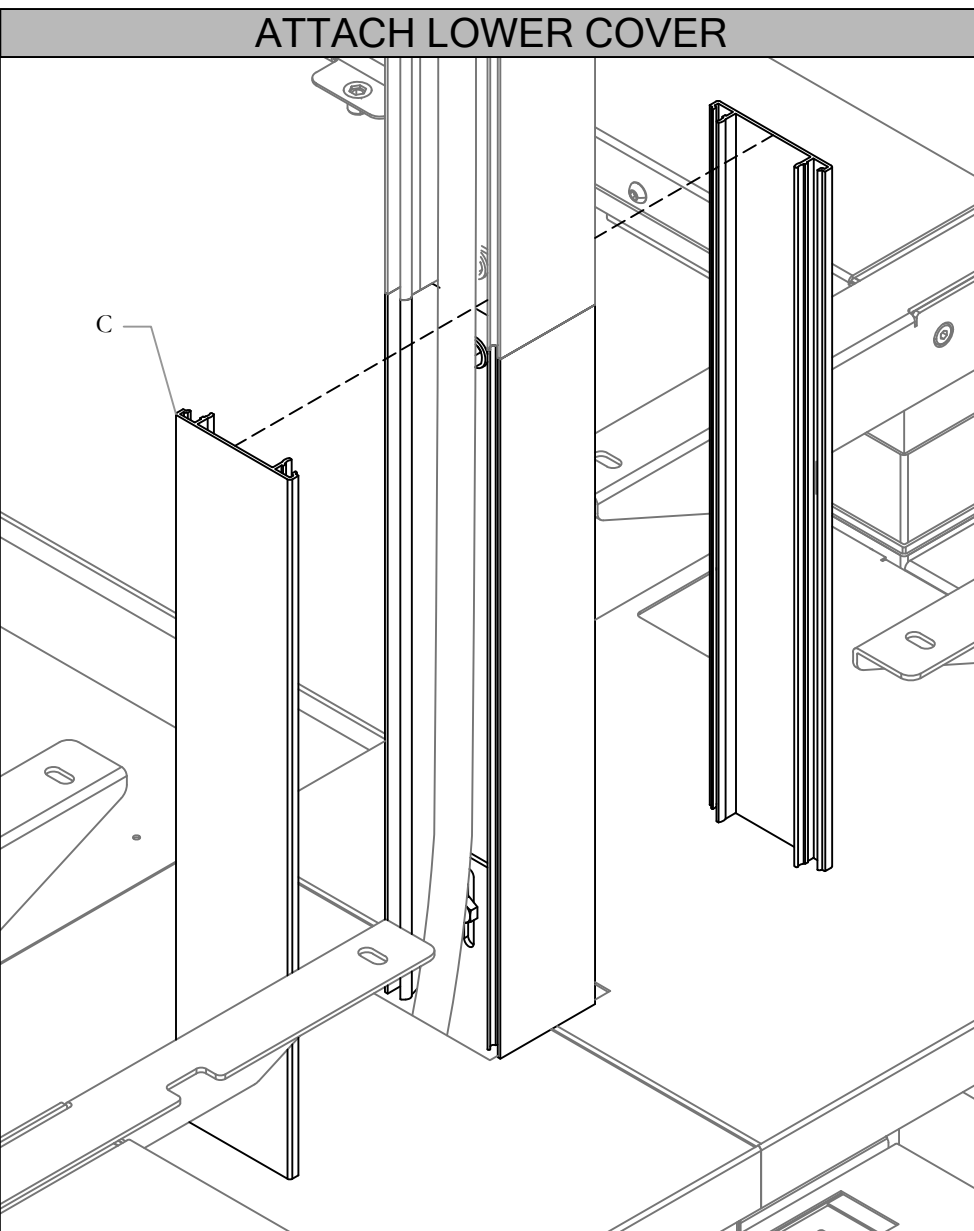
Section: **ELECTRICS**

Description: **HISPACE - CEILING FEED AND POWER POLE**

teknion

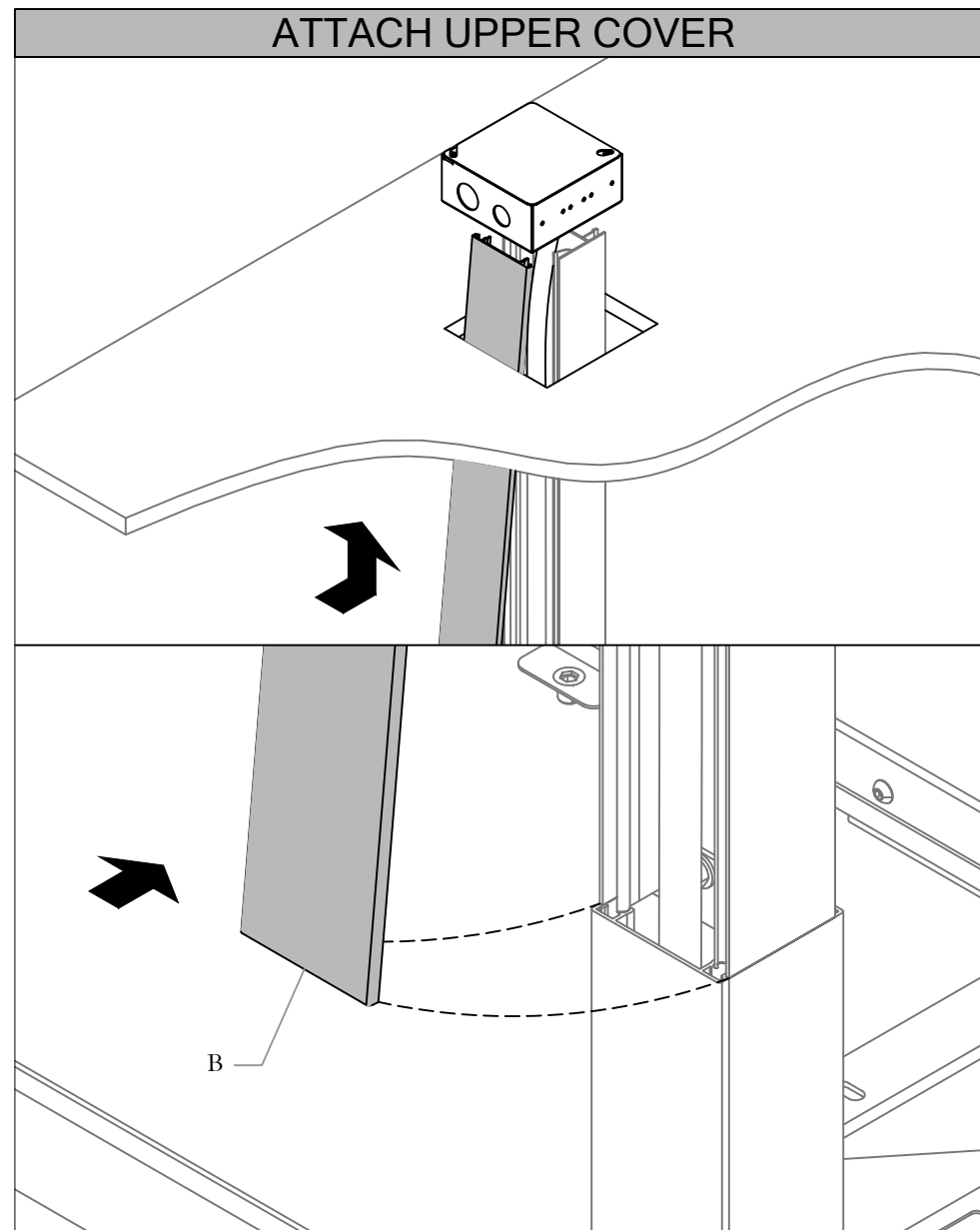
Date: May 2017 Page No: 6 of 9  
HABH\_312

## ATTACH LOWER COVER



STEP 8: Tuck cable and attach Power Pole Covers by engaging them into Lower Extrusion.

## ATTACH UPPER COVER



STEP 9: Insert Upper Covers inside ceiling cut-out then engage into Upper Power Pole Extrusion.

# height-adjustable bench *Installation Guides*

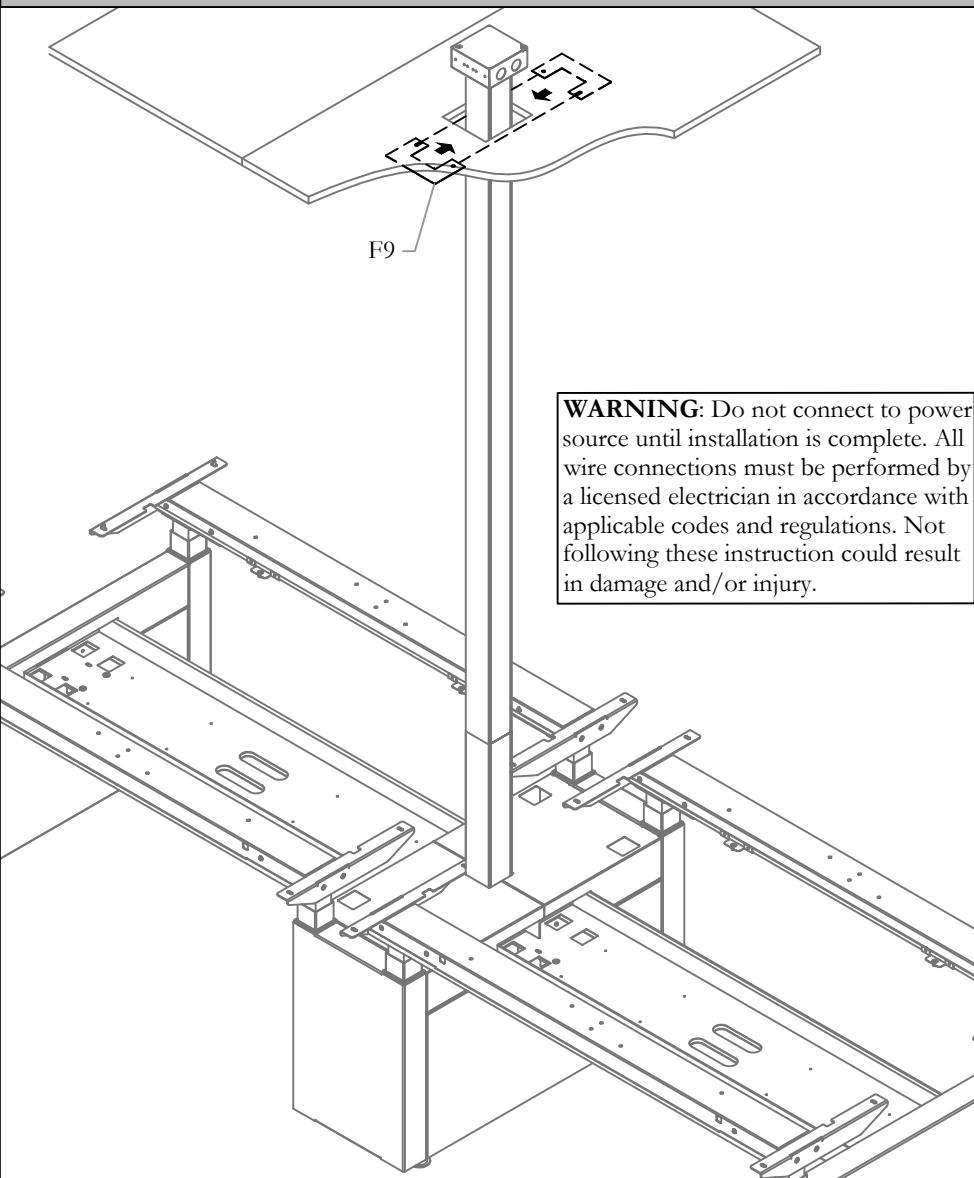
Section: **ELECTRICS**

Description: **HISPACE - CEILING FEED AND POWER POLE**

teknion

Date: May 2017 Page No: 7 of 9  
HABH\_312

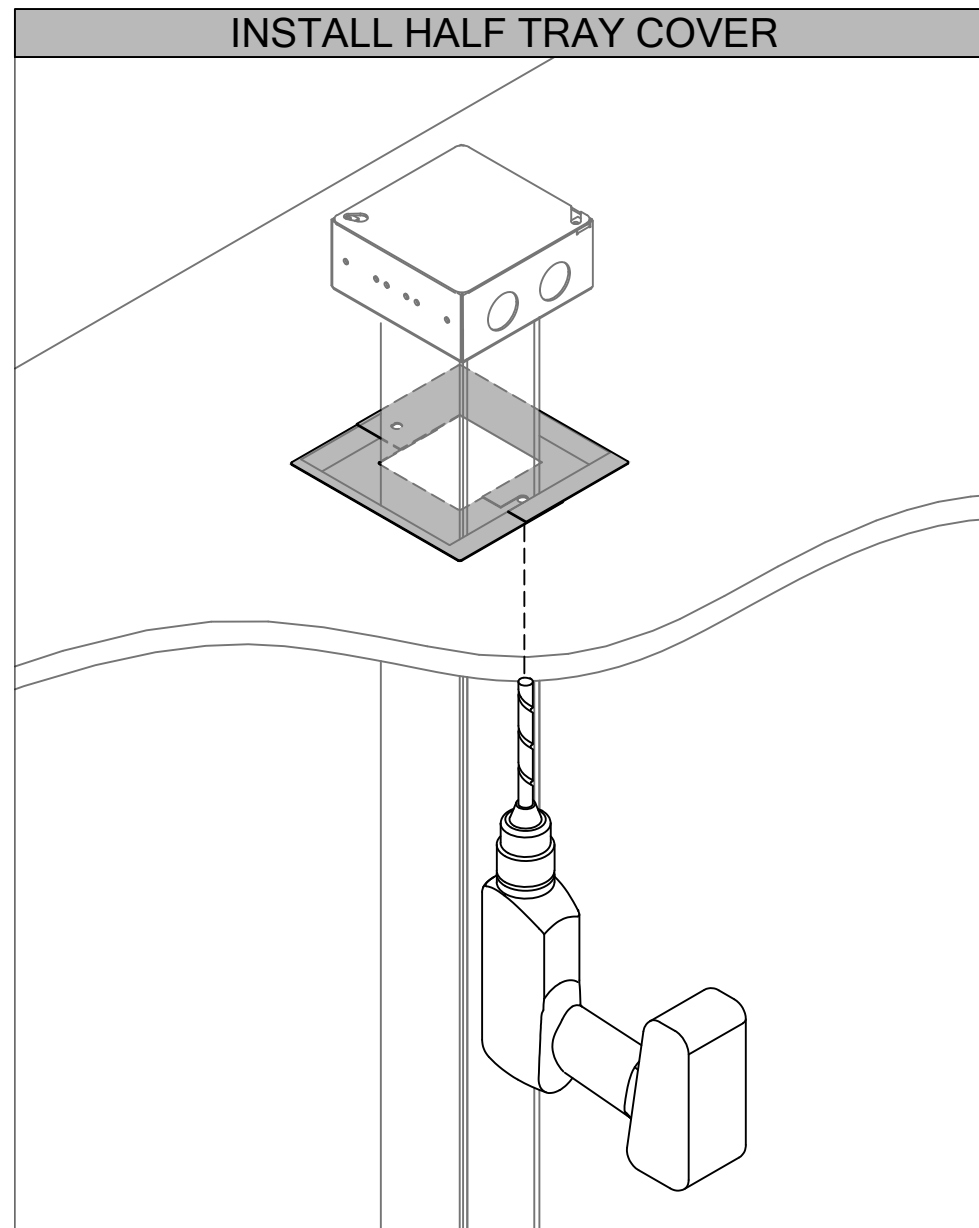
## ATTACH CEILING PLATES



**WARNING:** Do not connect to power source until installation is complete. All wire connections must be performed by a licensed electrician in accordance with applicable codes and regulations. Not following these instruction could result in damage and/or injury.

STEP 10: Attach Ceiling Plates to Power Pole under the ceiling.

## INSTALL HALF TRAY COVER



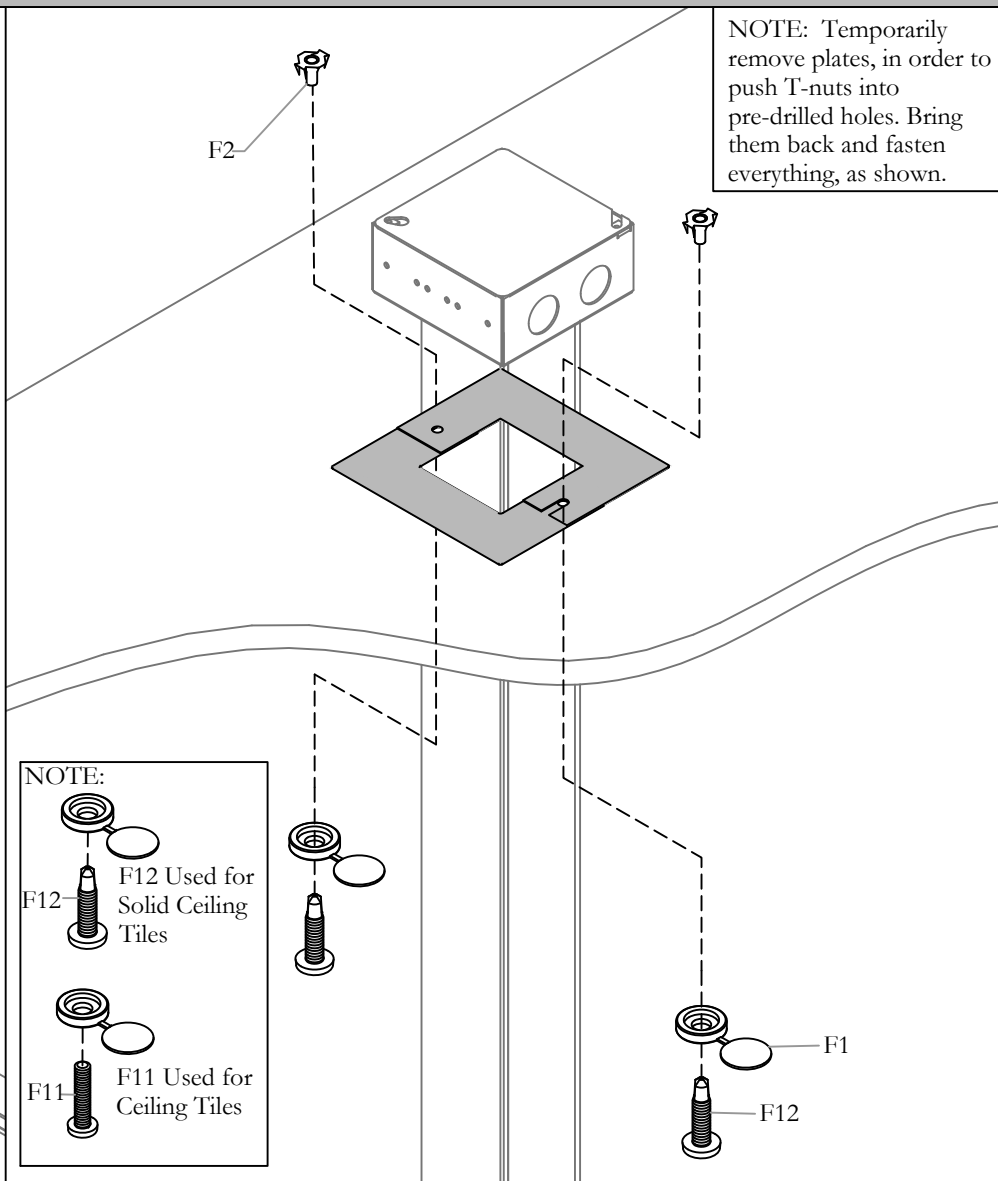
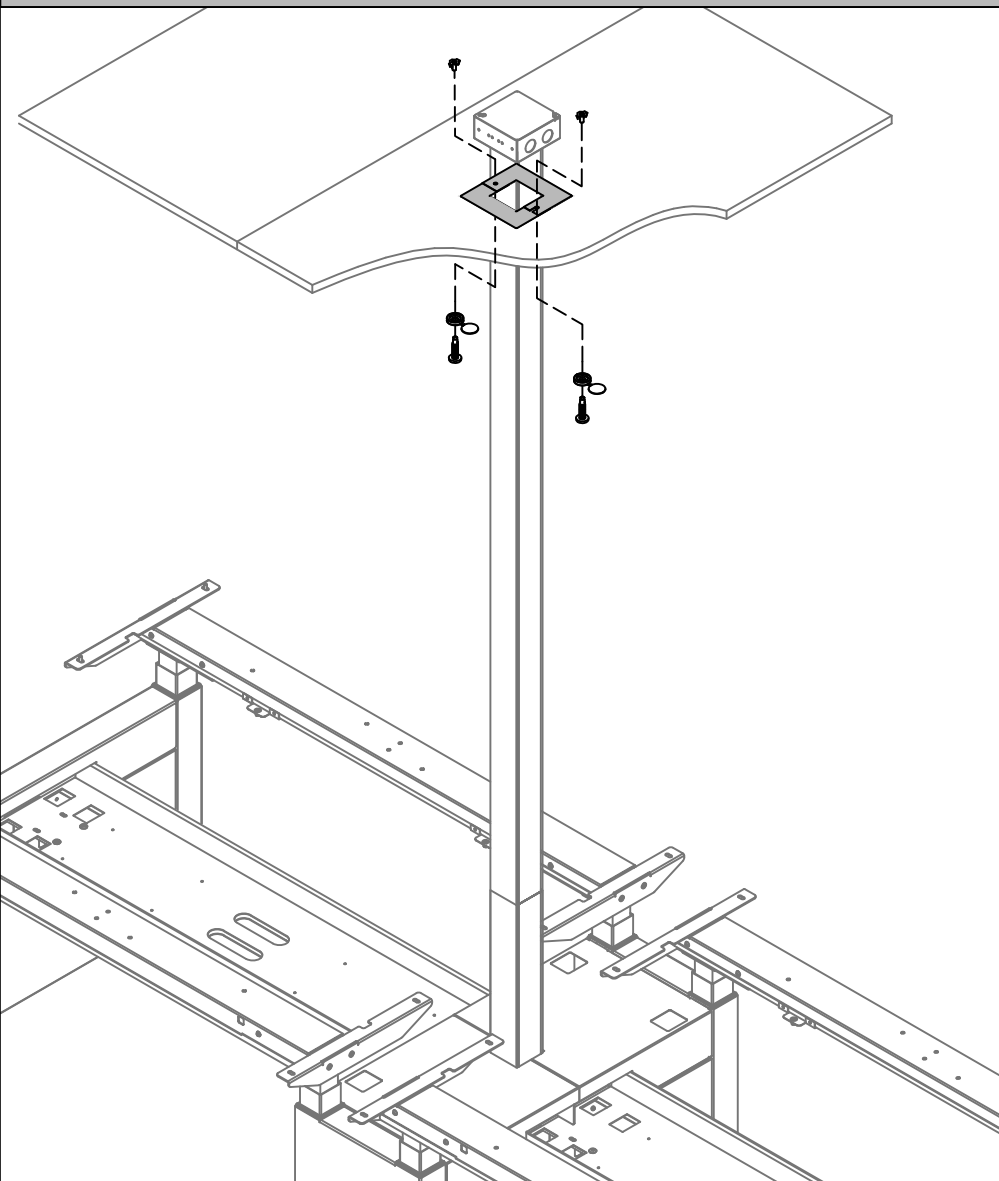
STEP 11: Drill holes for T-nuts using Ceiling Plates as a template to determine location.

Section: **ELECTRICS**

Description: **HISPACE - CEILING FEED AND POWER POLE**

Date: May 2017 Page No: 8 of 9  
HABH\_312

## PLATES INSTALLATION



STEP 12: Push T-nuts inside holes from the top of the ceiling tile. Wrap Cover plates around the Power Pole and fasten using hardware provided.

# height-adjustable bench *Installation Guides*

Section: **ELECTRICS**

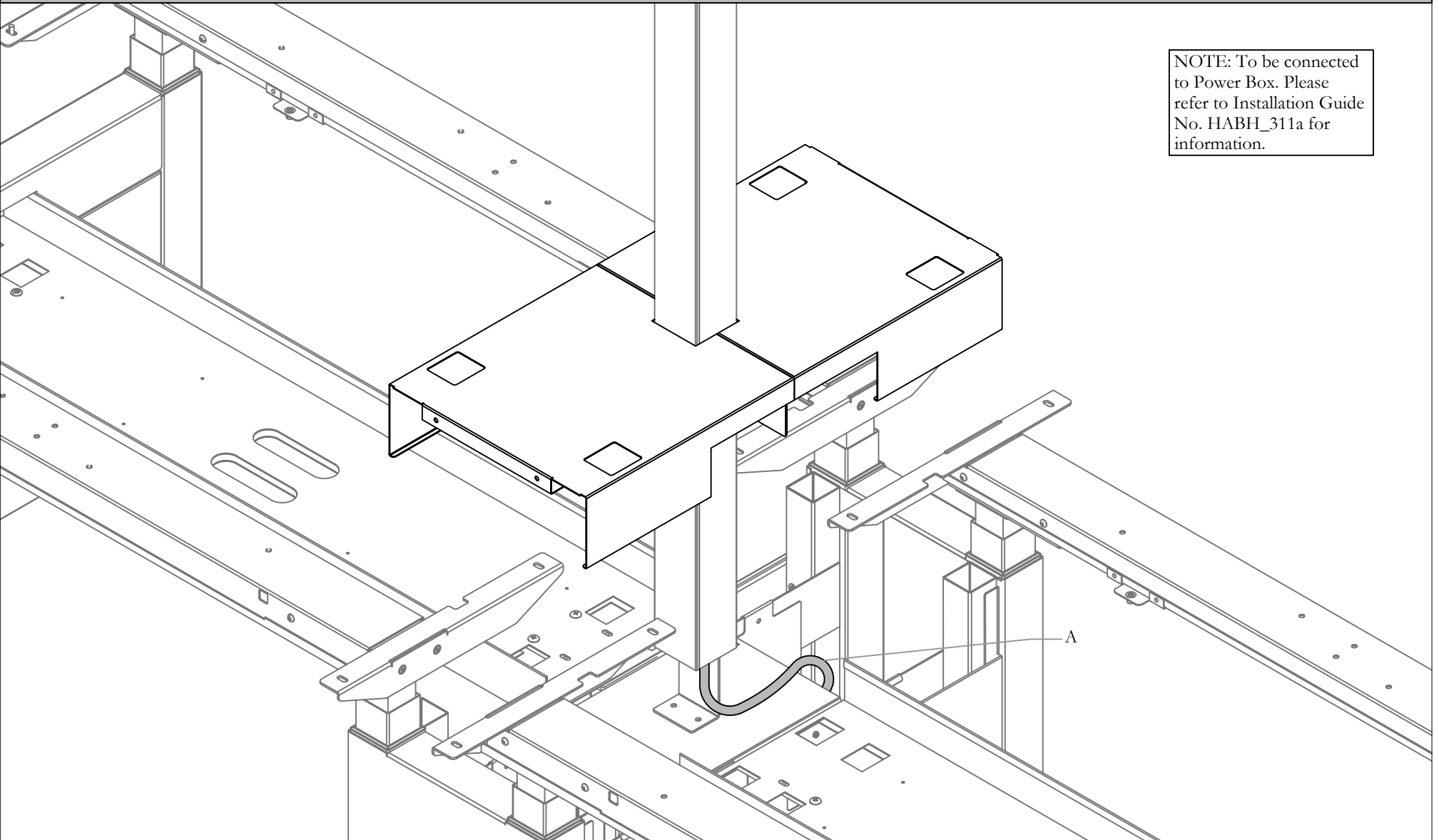
Description: **HISPACE - CEILING FEED AND POWER POLE**

teknion

Date: May 2017 Page No: 9 of 9  
HABH\_312

## PLUG TO POWER BOX

NOTE: To be connected to Power Box. Please refer to Installation Guide No. HABH\_311a for information.



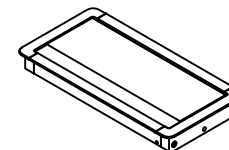
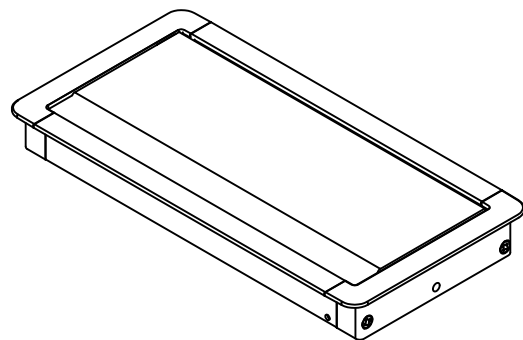
STEP 13: Open Mid-Gable Top Cover and Connect Ceiling Feed to Power Box.

Section: **ELECTRICS**

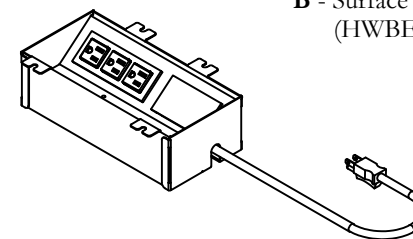
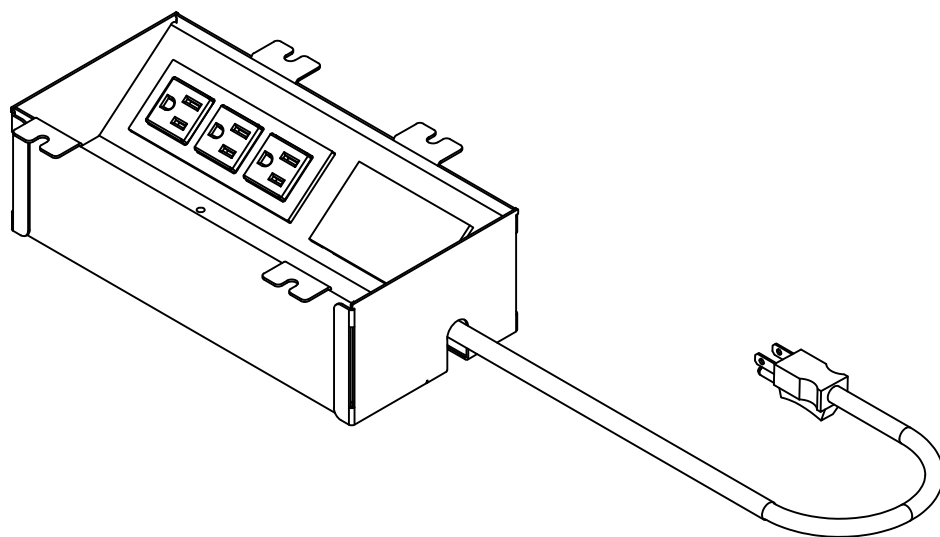
Description: **SURFACE ACCESS POWER BOX**

Centre Access Door (HWBECD) and Surface Access Power Box(HWBEAP)

Part and Product Identification



**A** - Center Access Door  
(N01-4759-X) x1



**B** - Surface Access Power Box  
(HWBEAP) x1



**C** - M8-5/8 SCREW  
(FS 8-5/8 QRA) x4



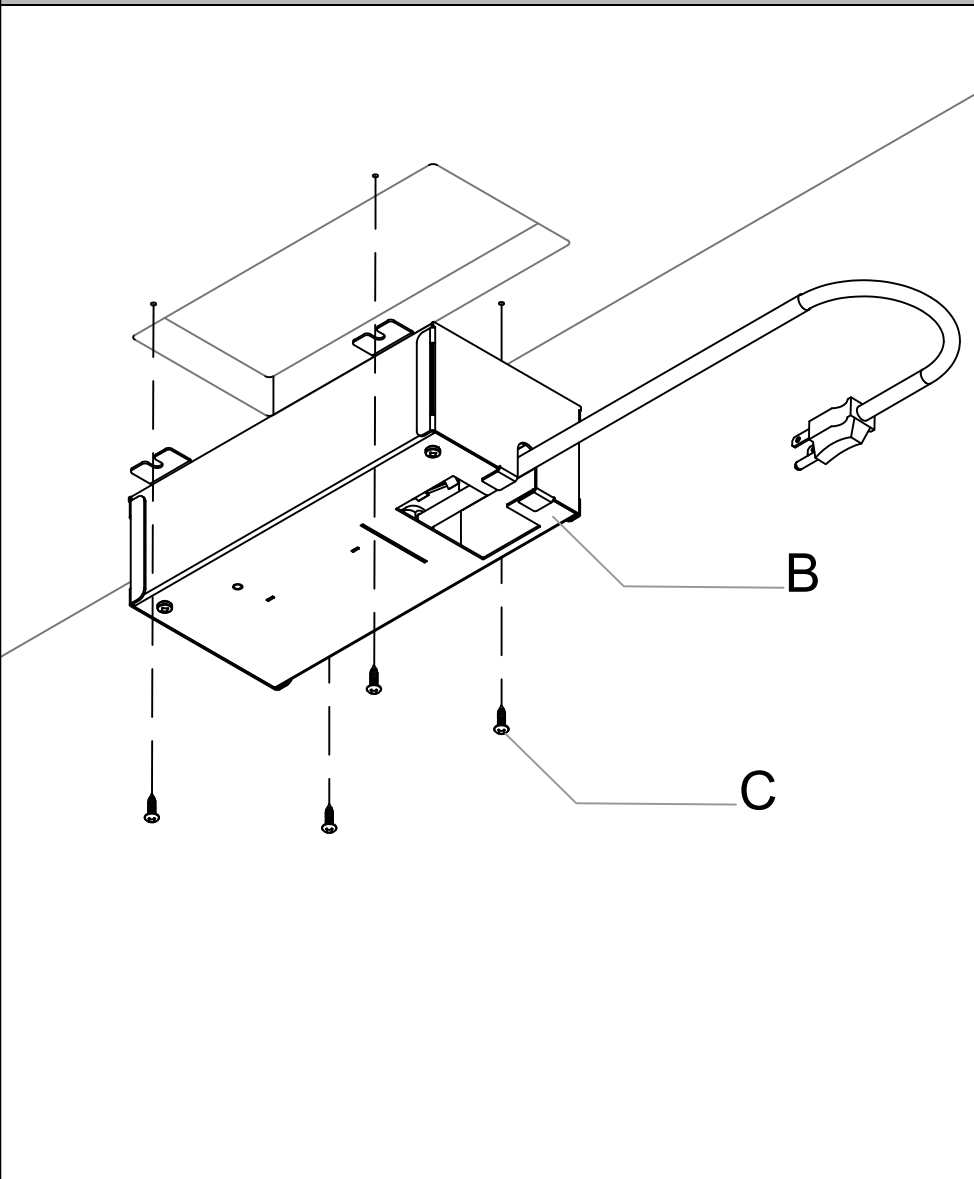
**D** - M6x0.5 Flat Head Screw  
(E07-0161) x2

Section: **ELECTRICS**

Date: Sept 2021 Page No: 2 of 2  
HABH\_313

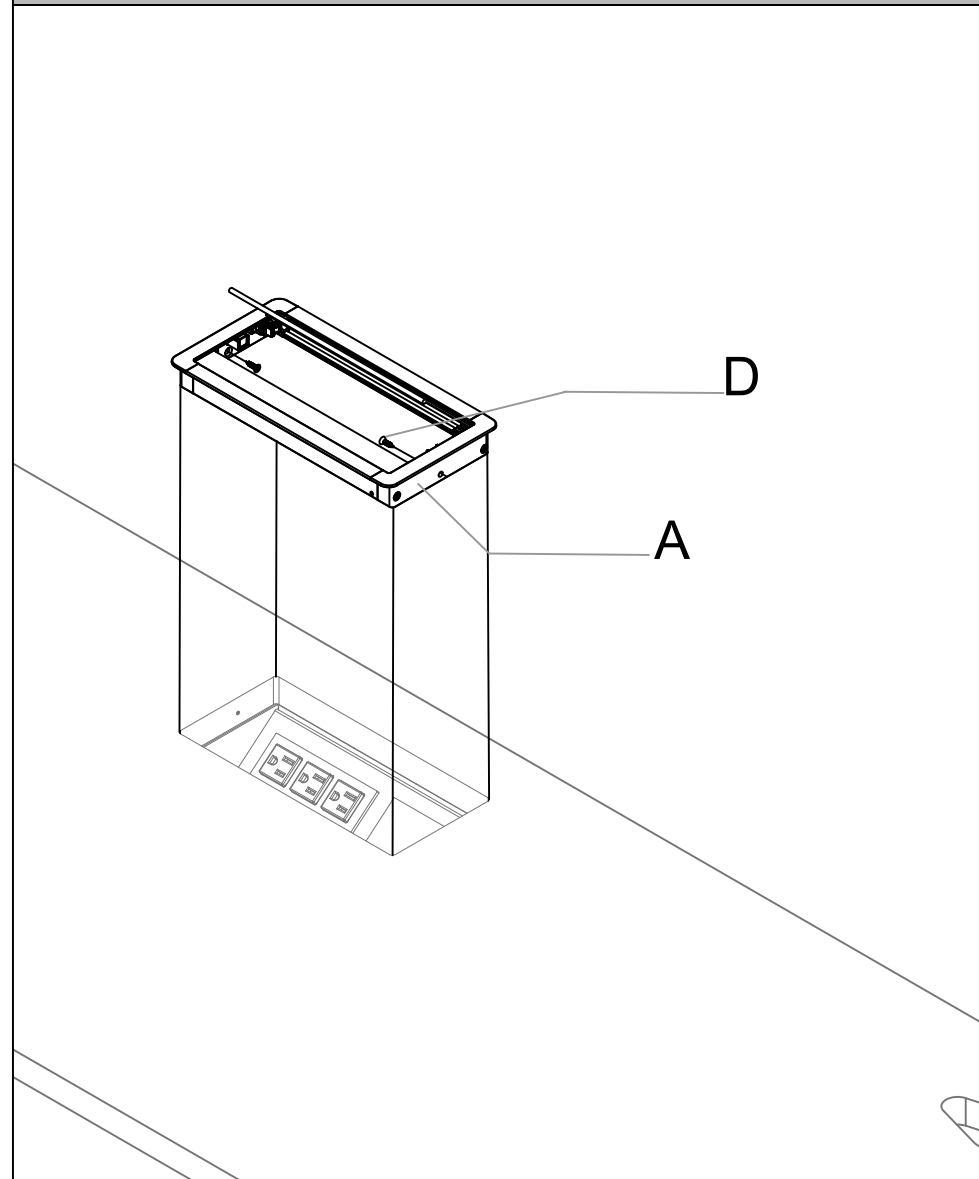
Description: **SURFACE ACCESS POWER BOX**

**ATTACH SURFACE ACCESS POWER BOX**



STEP 1: Attach Surface Access Power Box to the worksurface and secure with fasteners as shown.

**ATTACH CENTRE ACCESS DOOR**



STEP 2: Attach Center Access Door to the worksurface and secure with fasteners as shown.



# height-adjustable bench *Installation Guides*

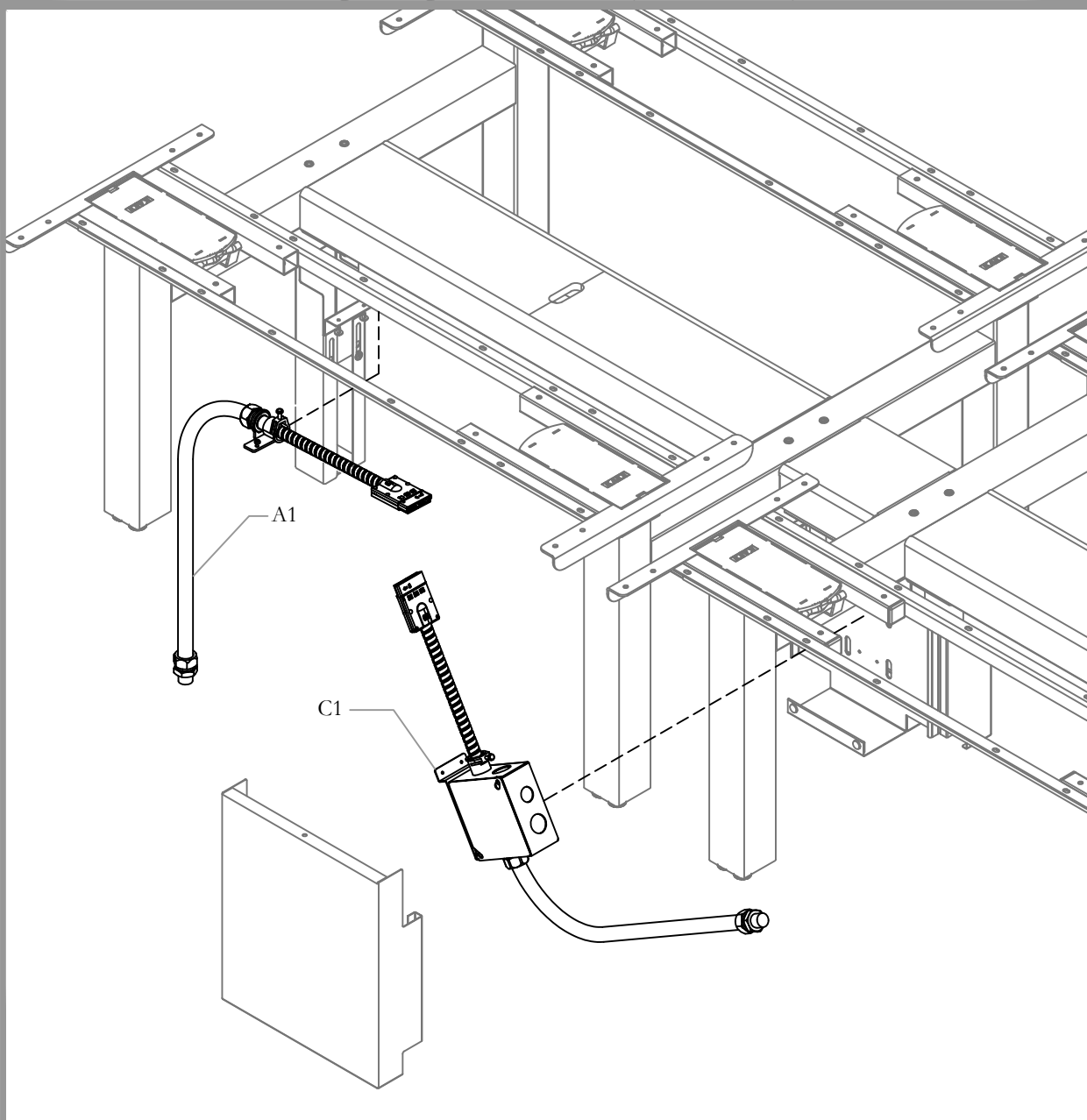
Section: **HEIGHT ADJUSTABLE BENCH**

Description: **ELECTRICS**

teknion

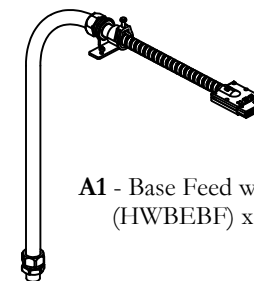
Date: Sept 2021 Page No: 1 of 7  
HABH\_314 Rev. No: 0

hiSpace Base Feed (HWBEBF), hiSpace Chicago Base Feed (HWBEBFCH),  
hiSpace Split Base Feed (HWBEBFS)



## Part and Product Identification

**A** - hiSpace Base Feed (HWBEBF)



**A1** - Base Feed w/ Bracket  
(HWBEBF) x1



**A2** - #8x1/2" Screw  
(HWBEBF) x2

**OR B** - hiSpace Chicago Base Feed (HWBEBFCH)

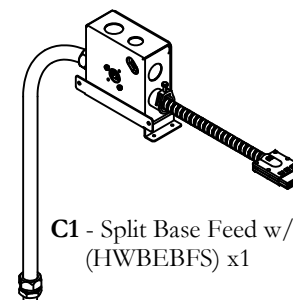


**B1** - Chicago Base Feed w/ Bracket  
(HWBEBFCH) x1



**B2** - #8x1/2" Screw  
(HWBEBF) x2

**OR C** - hiSpace Split Base Feed (HWBEBFS)



**C1** - Split Base Feed w/ Bracket  
(HWBEBFS) x1



**C2** - #8x1/2" Screw  
(HWBEBF) x4

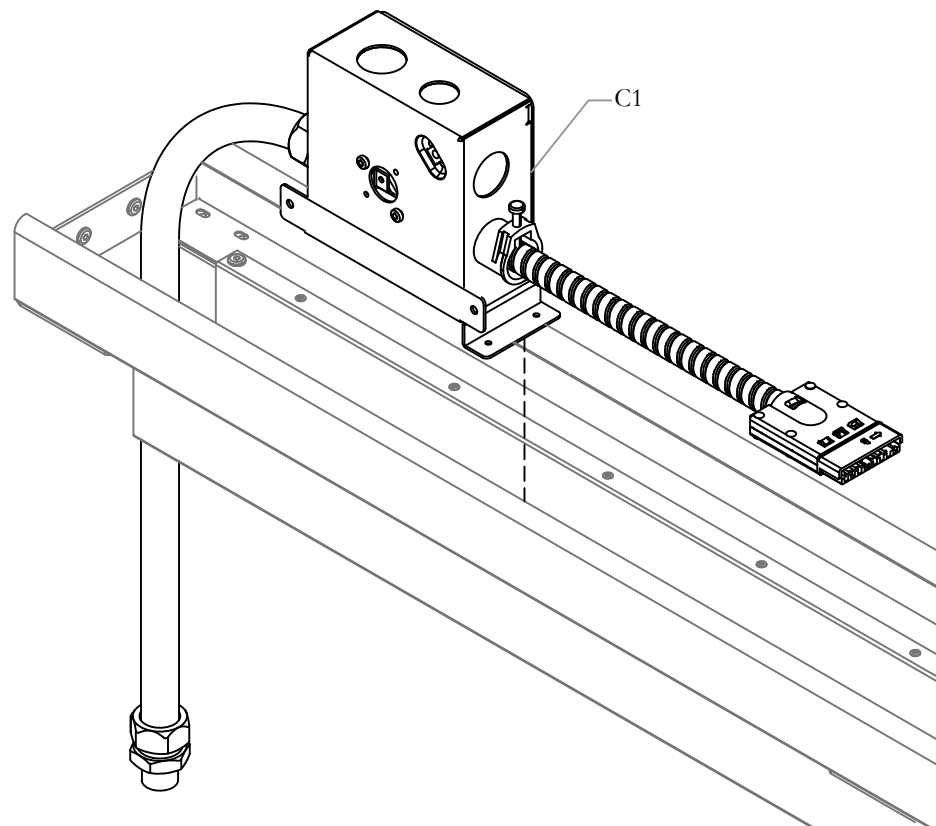
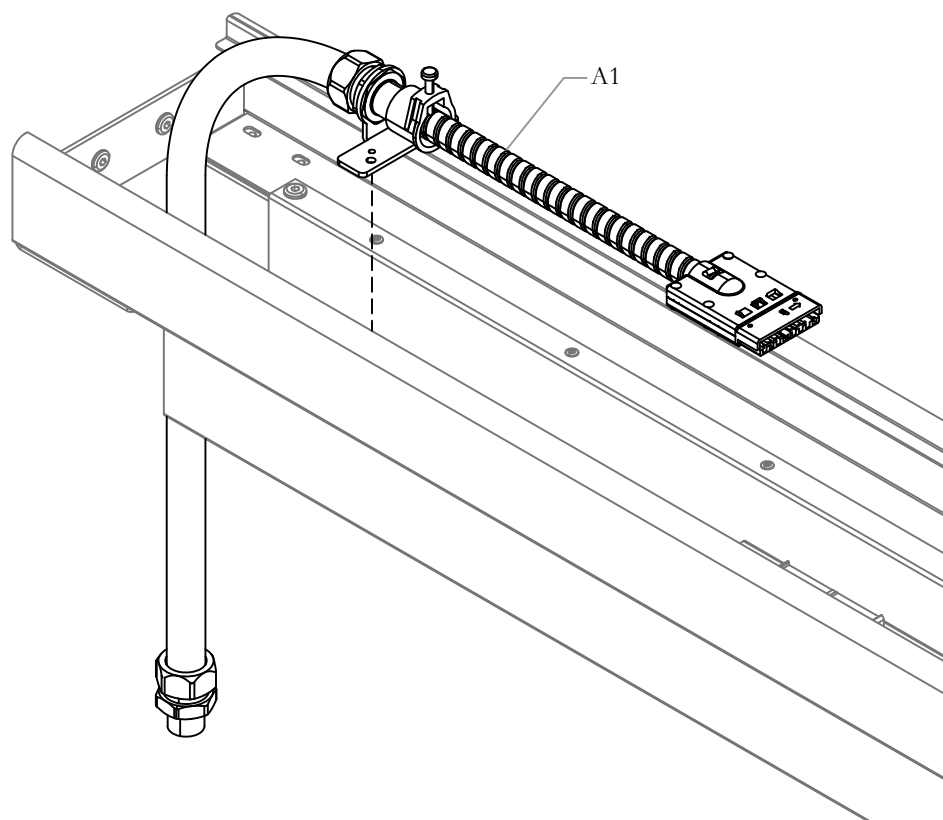
## MOUNTING TO SPINE TRAY: INSERT BASE FEED

NOTE: When Mounting inside Spine Tray, Installation is the Same for Single-Sided and Double-Sided.

NOTE: Chicago Base Feed follows same steps. However all wiring must be completed by licensed electrician

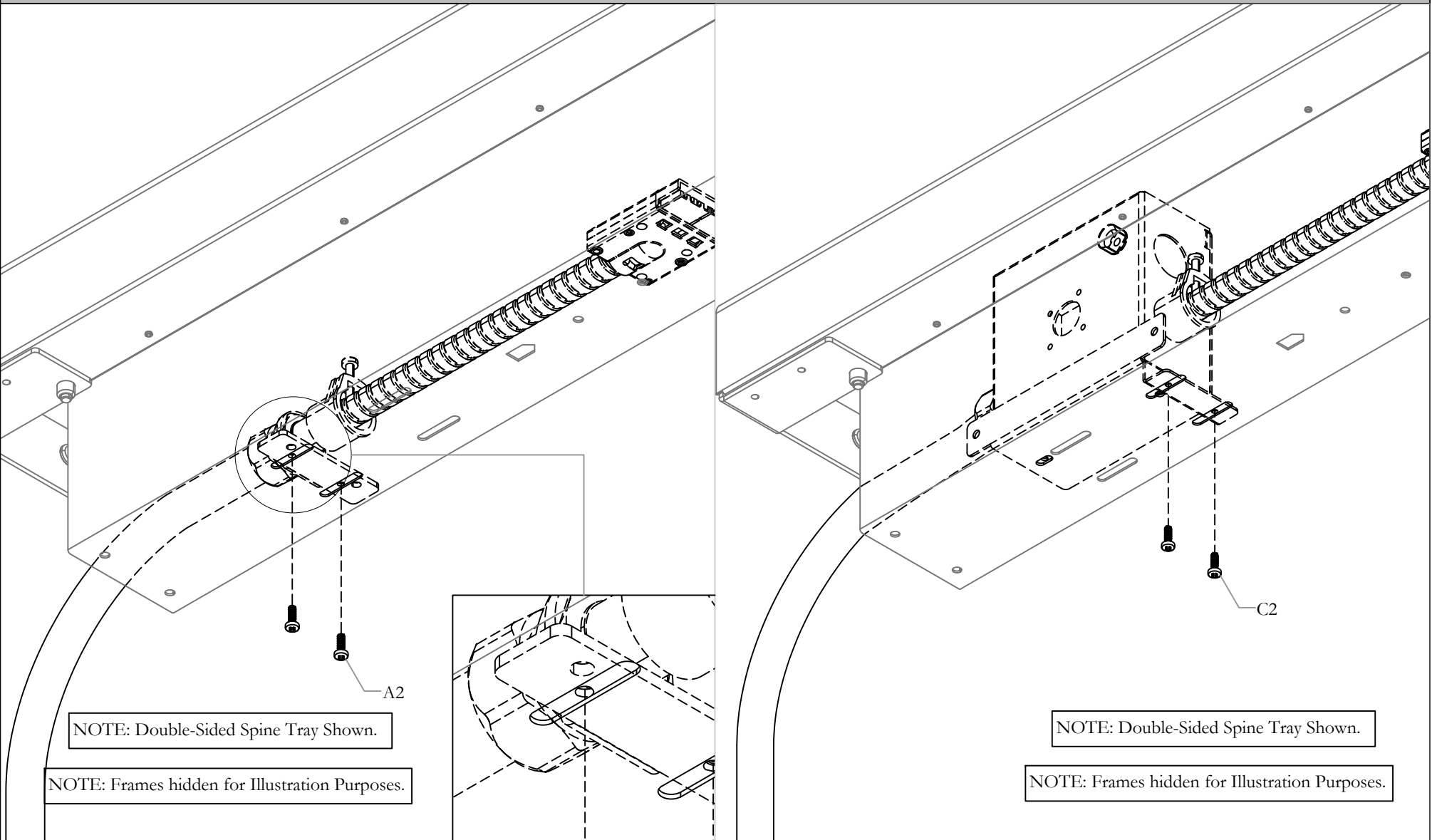
NOTE: When installing in Spine Tray, Split Feed Box is oriented vertically as shown.

NOTE: Frames hidden for Illustration Purposes.



STEP 1: Insert the Base Feed into the Spine Tray.

SECURE BASE FEED



NOTE: Double-Sided Spine Tray Shown.

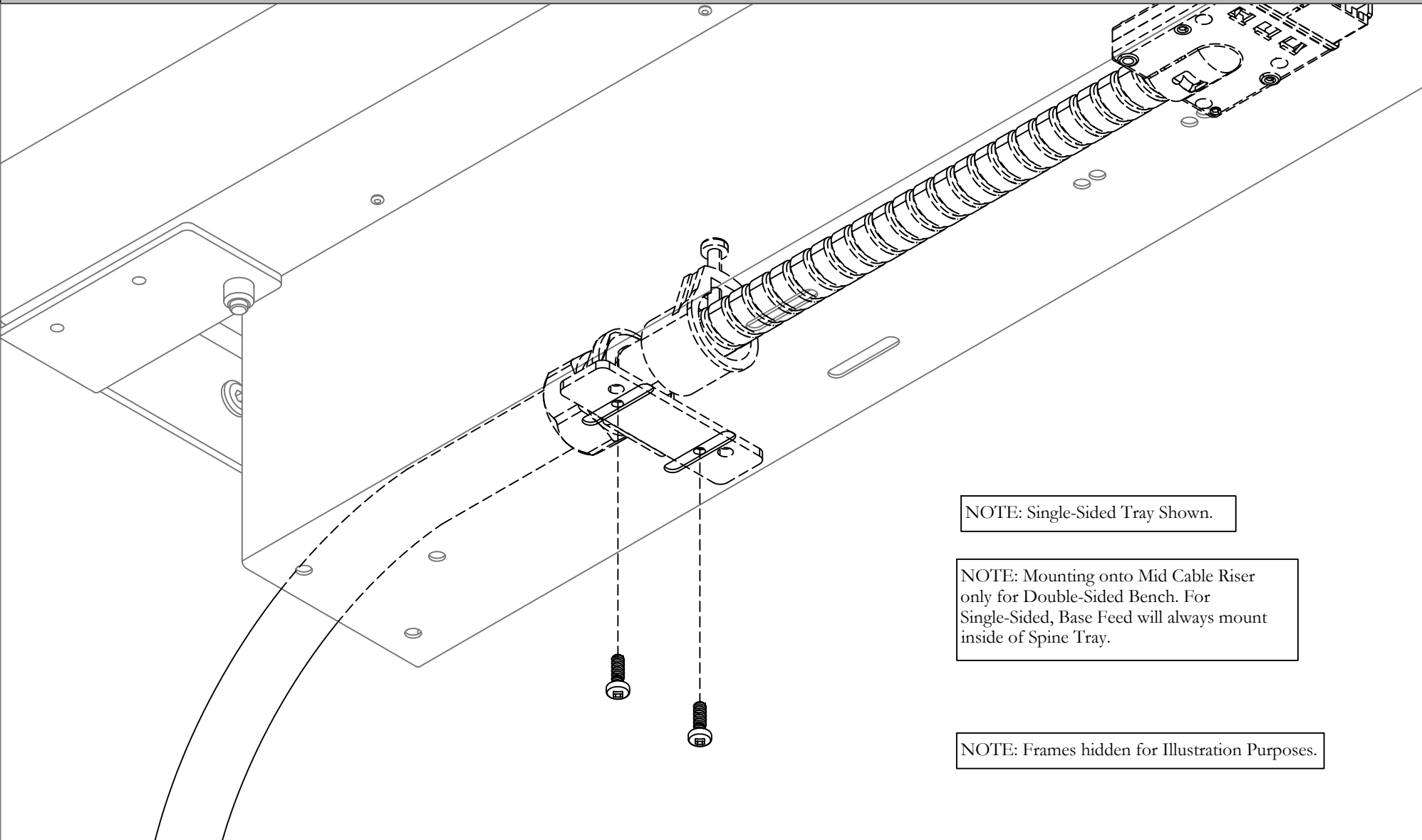
NOTE: Frames hidden for Illustration Purposes.

NOTE: Double-Sided Spine Tray Shown.

NOTE: Frames hidden for Illustration Purposes.

STEP 2: Secure Base feed to Spine Tray from underneath.

## SECURE BASE FEED



NOTE: Single-Sided Tray Shown.

NOTE: Mounting onto Mid Cable Riser only for Double-Sided Bench. For Single-Sided, Base Feed will always mount inside of Spine Tray.

NOTE: Frames hidden for Illustration Purposes.

STEP 2b: Secure Base feed to Spine Tray from underneath.

# height-adjustable bench *Installation Guides*

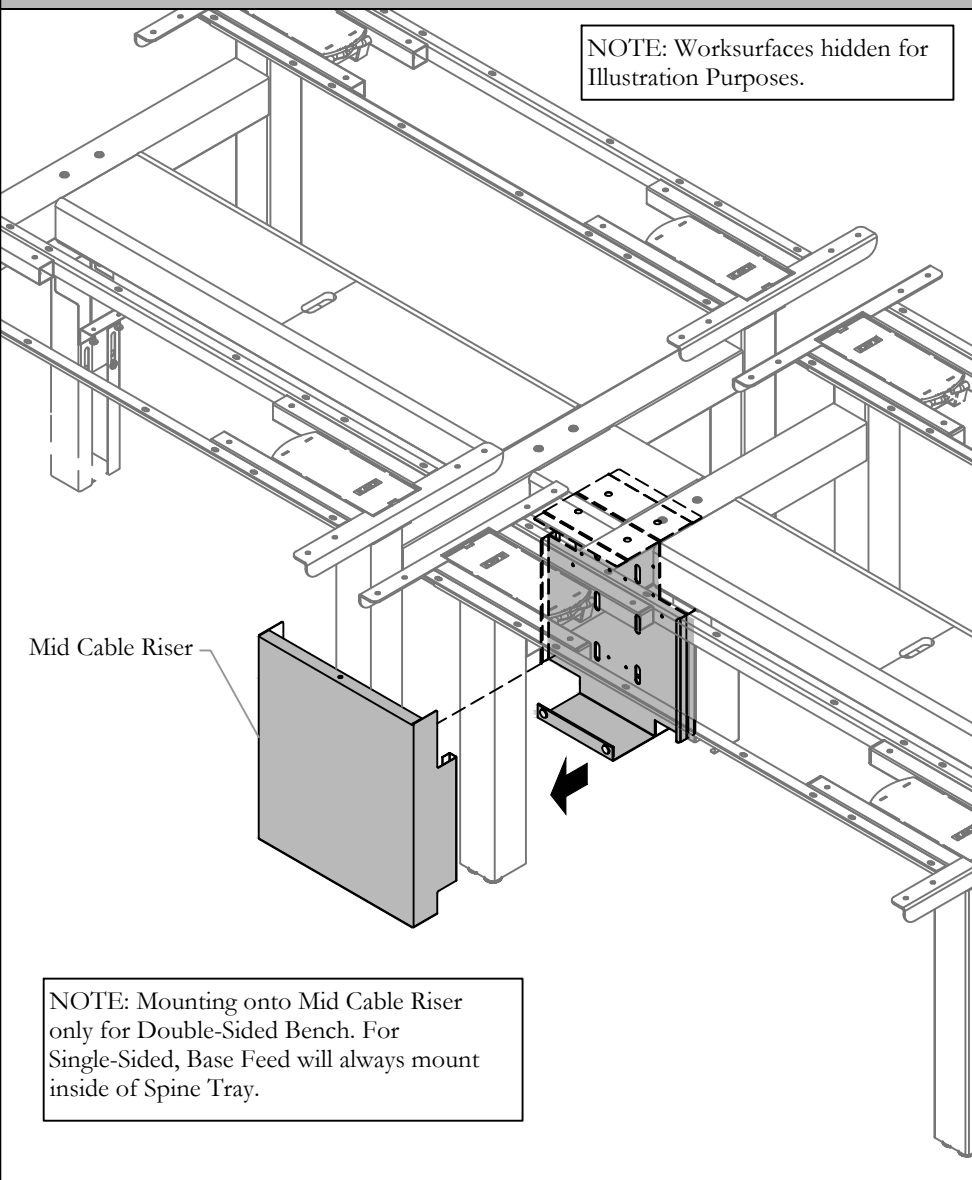
Section: HEIGHT ADJUSTABLE BENCH

Date: Sept 2021 Page No: 5 of 7  
HABH\_314

Description: ELECTRICS

## MOUNTING TO MID CABLE RISER

NOTE: Worksurfaces hidden for Illustration Purposes.



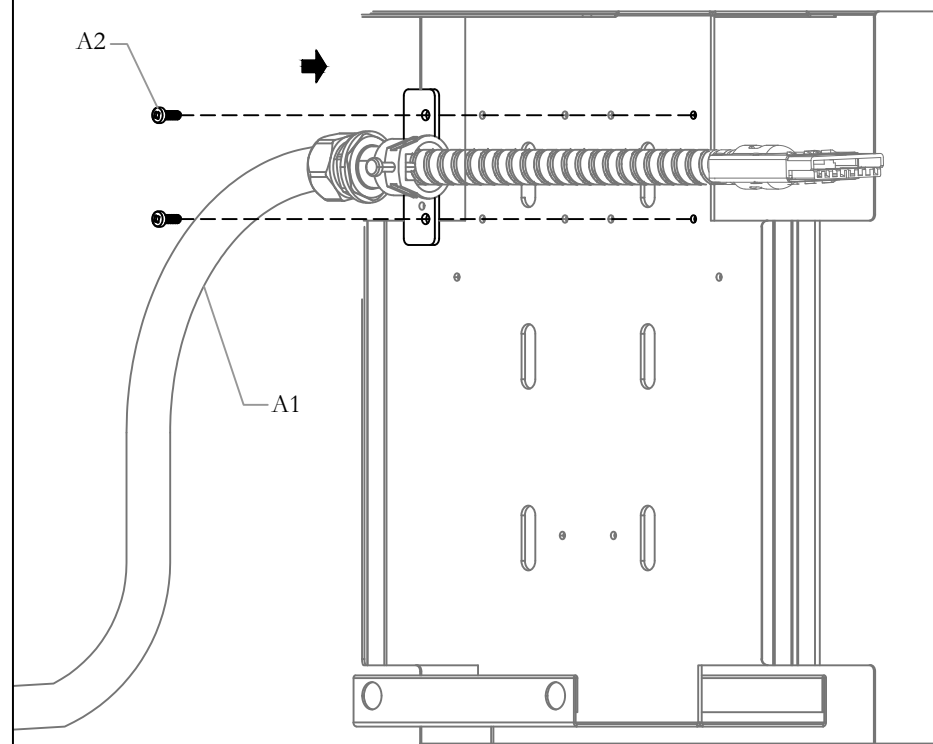
NOTE: Mounting onto Mid Cable Riser only for Double-Sided Bench. For Single-Sided, Base Feed will always mount inside of Spine Tray.

STEP 1: Remove Cover from Mid Cable Riser

## INSTALLING BASE FEED

NOTE: Frames and Spine Tray Hidden for Illustration Purposes.

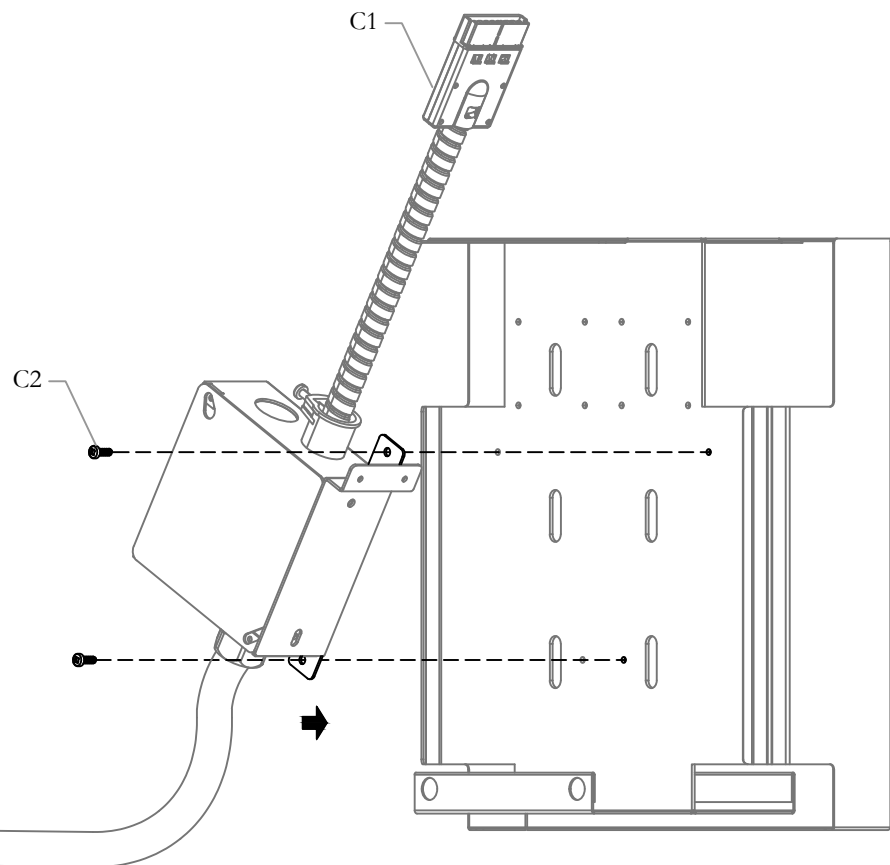
NOTE: Chicago Base Feed follows same steps. However all wiring must be completed by licensed electrician



STEP 2a: Mount Base Feed as shown. Depending on desired orientation of Spine Tray, Base feed can be mounted in the opposite direction. (Check arrows inside Spine Tray to confirm orientation.)

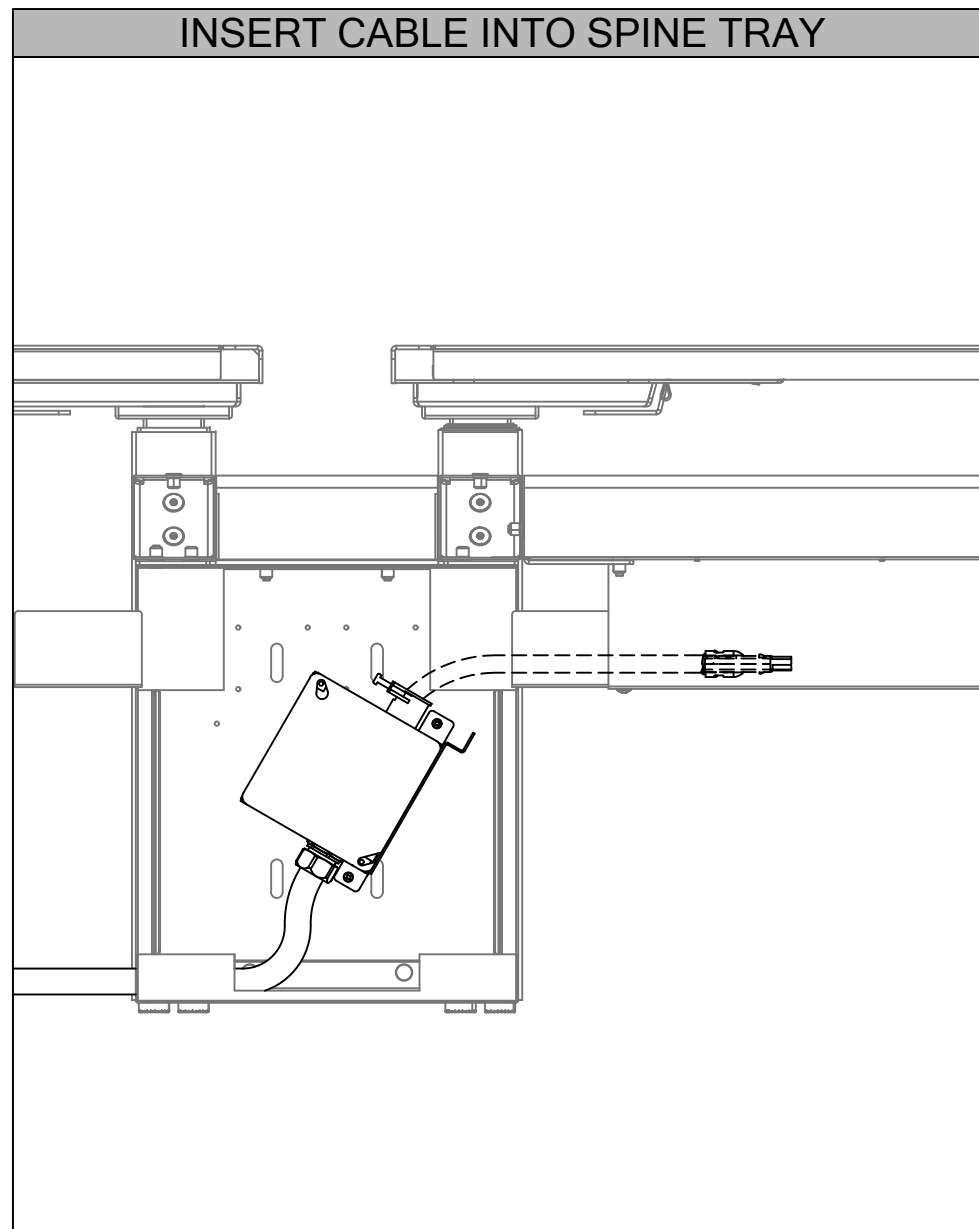
## INSTALLING SPLIT BASE FEED

NOTE: Frames and Spine Tray Hidden for Illustration Purposes.



STEP 2b: Mount Split Base Feed as shown. Depending on desired orientation of Spine Tray, Base feed can be mounted in the opposite direction. (Check arrows inside Spine Tray to confirm orientation.)

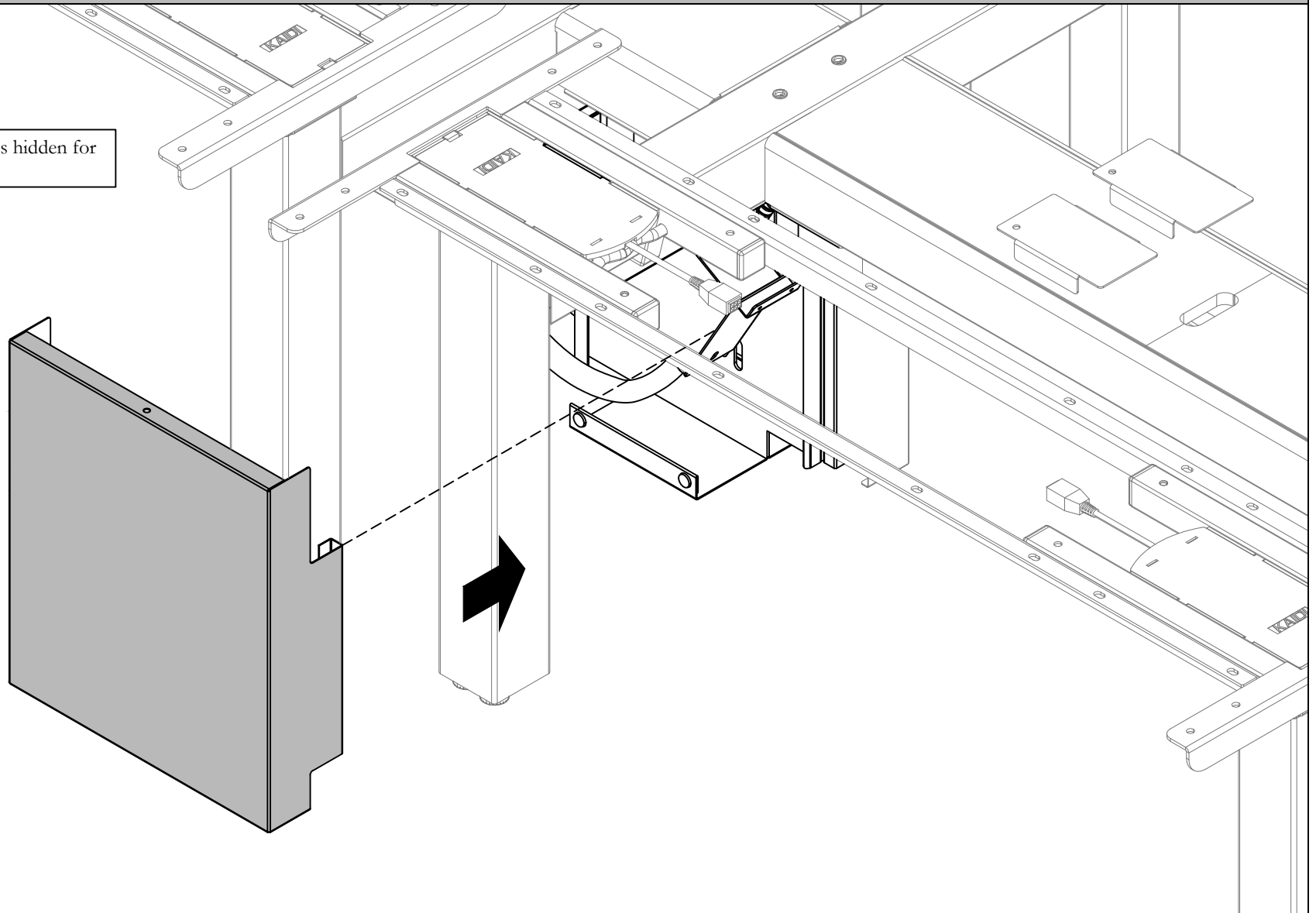
## INSERT CABLE INTO SPINE TRAY



STEP 3: Insert Base Feed cable into the Spine Tray.

COVER BASE FEED

NOTE: Worksurfaces hidden for  
Illustration Purposes.



STEP 4: Place the cover back on the Mid Cable Riser.

# height-adjustable bench *Installation Guides*

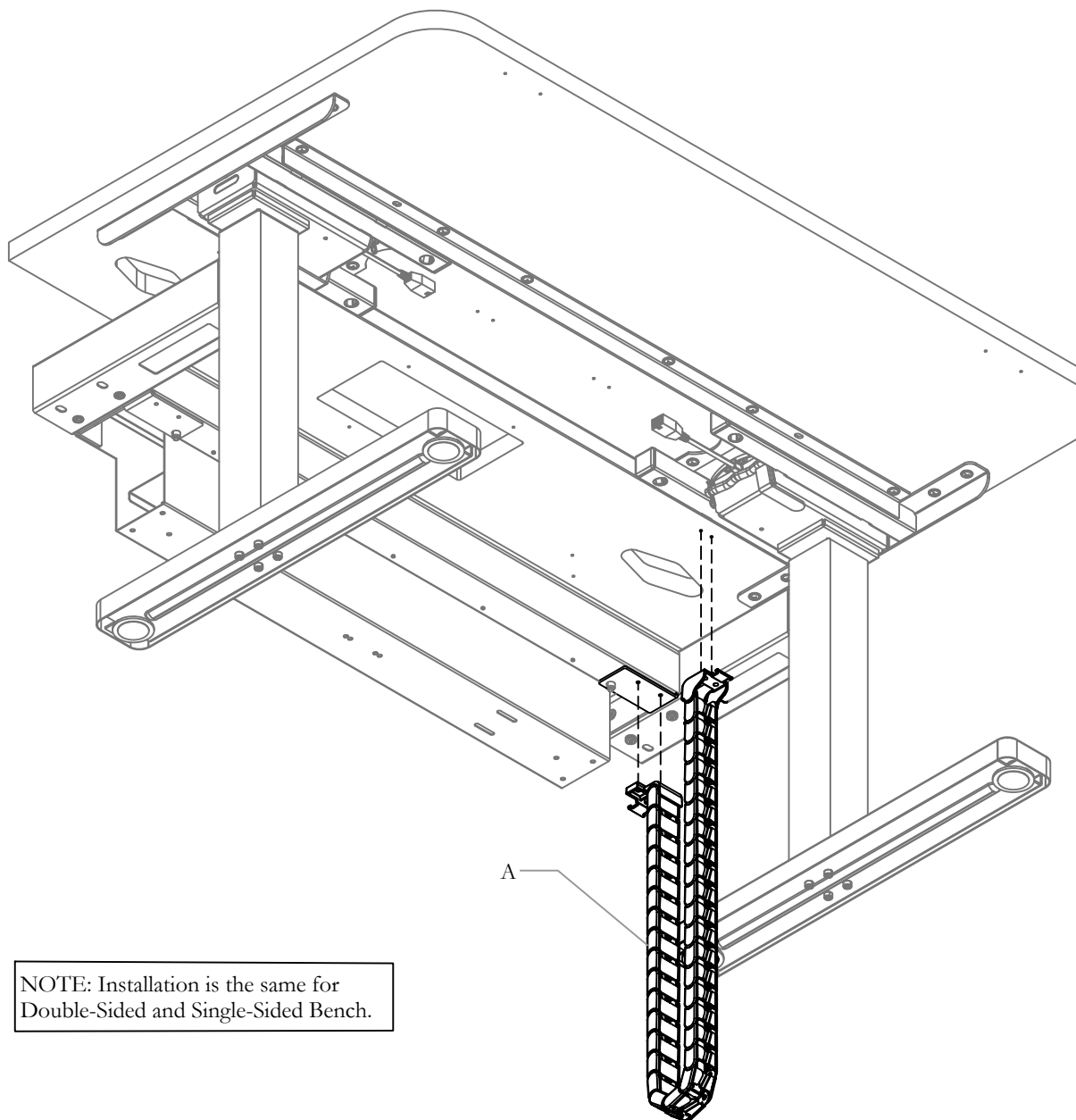
Section: **HEIGHT ADJUSTABLE BENCH**

Description: **ELECTRICS**

teknion

Date: Feb 2022 Page No: 1 of 4  
HABH\_315 Rev. No: 0

## Vertical Wire Carrier (HWBEEE)

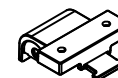


NOTE: Installation is the same for Double-Sided and Single-Sided Bench.

## Part and Product Identification



**A** - Vertical Wire Carrier Assembly  
(N01-6034-X) x1



**B** - Vertical Wire Carrier Bench  
Connector  
(B02-0846) x1



**C** - Vertical Wire Carrier  
Worksurface Connector  
(B02-0844) x1



**D** - 10-32x3/8" Sheet Metal Screw  
(E07-0084) x2



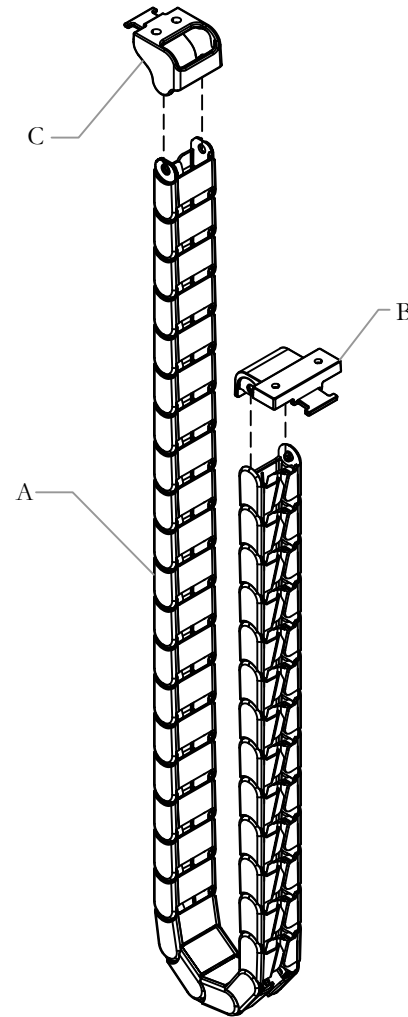
**E** - #10x0.875" Lg. Screw, Quad.  
Pan Washer  
(E07-0077) x2



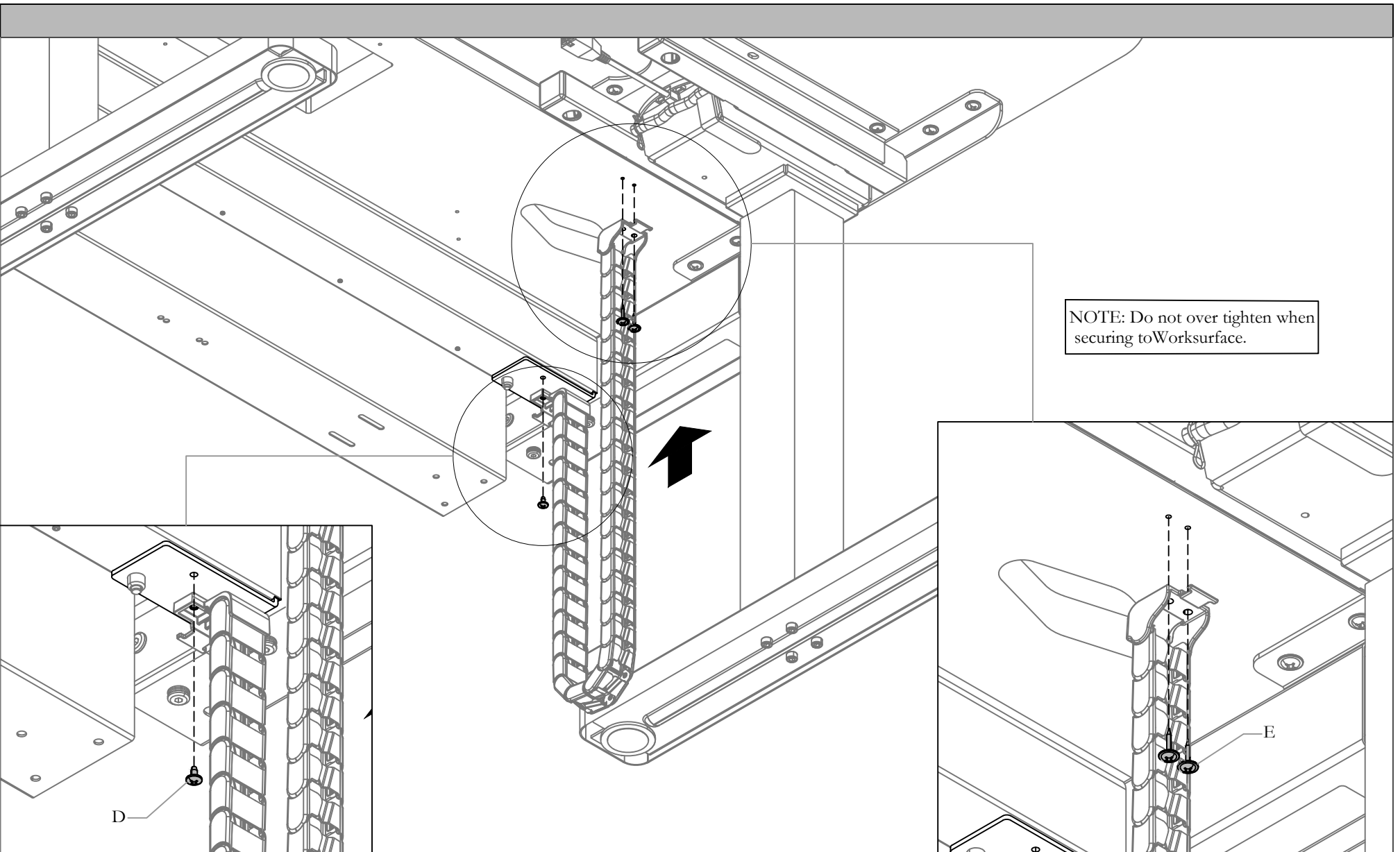
**F** - Cable Tie  
(B02-0545) x3



ASSEMBLE VERTICAL WIRE CARRIER



STEP 1: Attach the Bench Connector and Worksurface Connector to the Vertical Wire Carrier Assembly as shown.



STEP 2: Attach Bench Connector to Spine Tray Bracket and Worksurface Connector to Worksurface as shown. Secure with provided Screws.

# height-adjustable bench *Installation Guides*

Section: **HEIGHT ADJUSTABLE BENCH**

Description: **ELECTRICS**

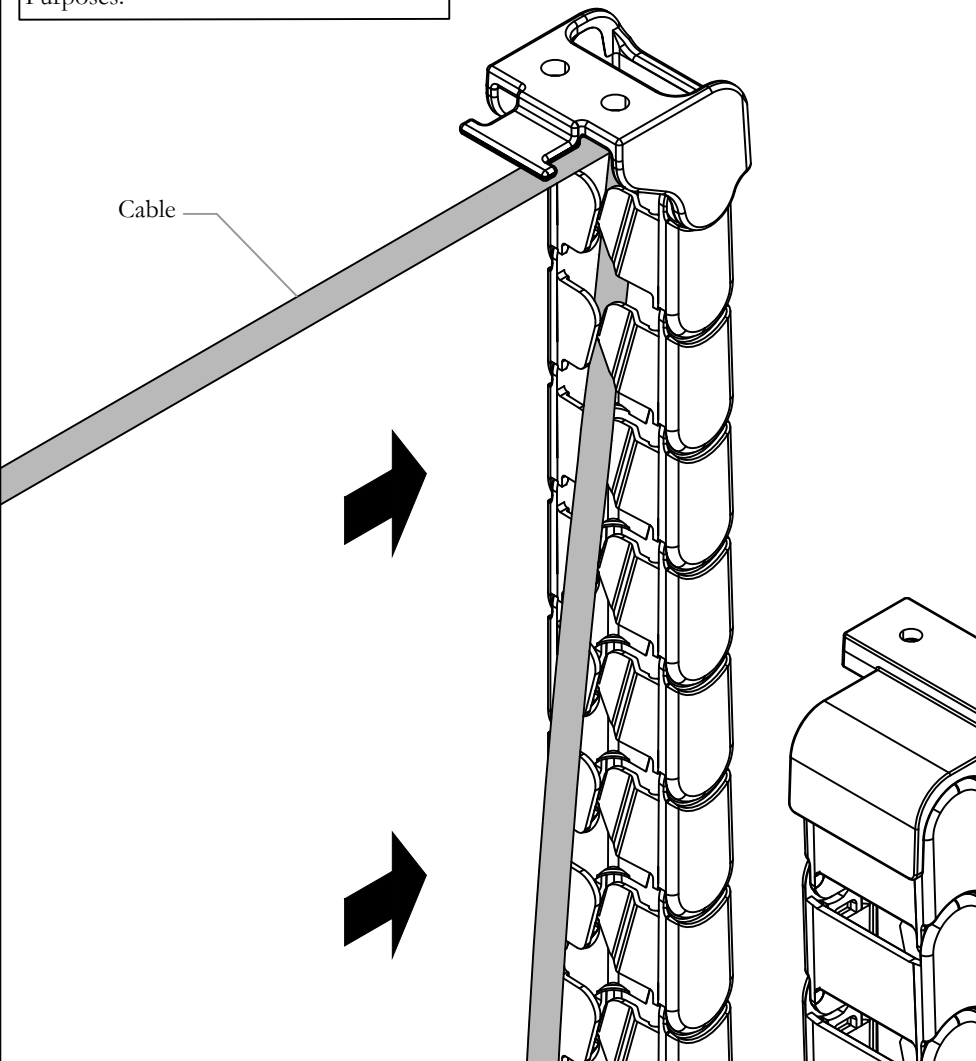
teknion

Date: Feb 2022 Page No: 4 of 4  
HABH\_315

## PLACE CABLE INTO WIRE CARRIER

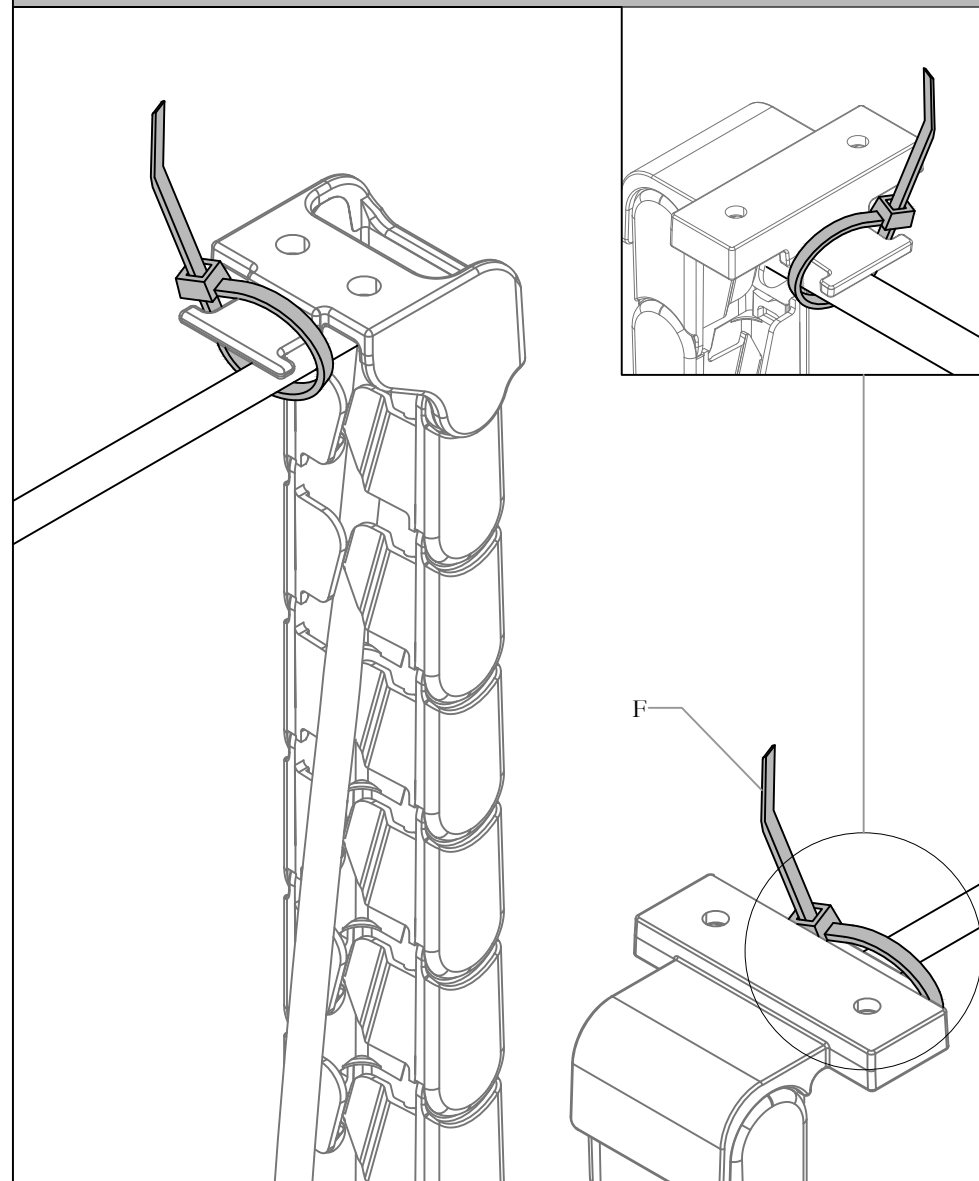
NOTE: Bench Hidden for Illustration Purposes.

Cable



STEP 3: Place Cable into Vertical Wire Carrier as shown.

## SECURE CABLE



STEP 4: Use Cable ties to secure Cable to Wire Carrier as shown.

# height-adjustable bench *Installation Guides*

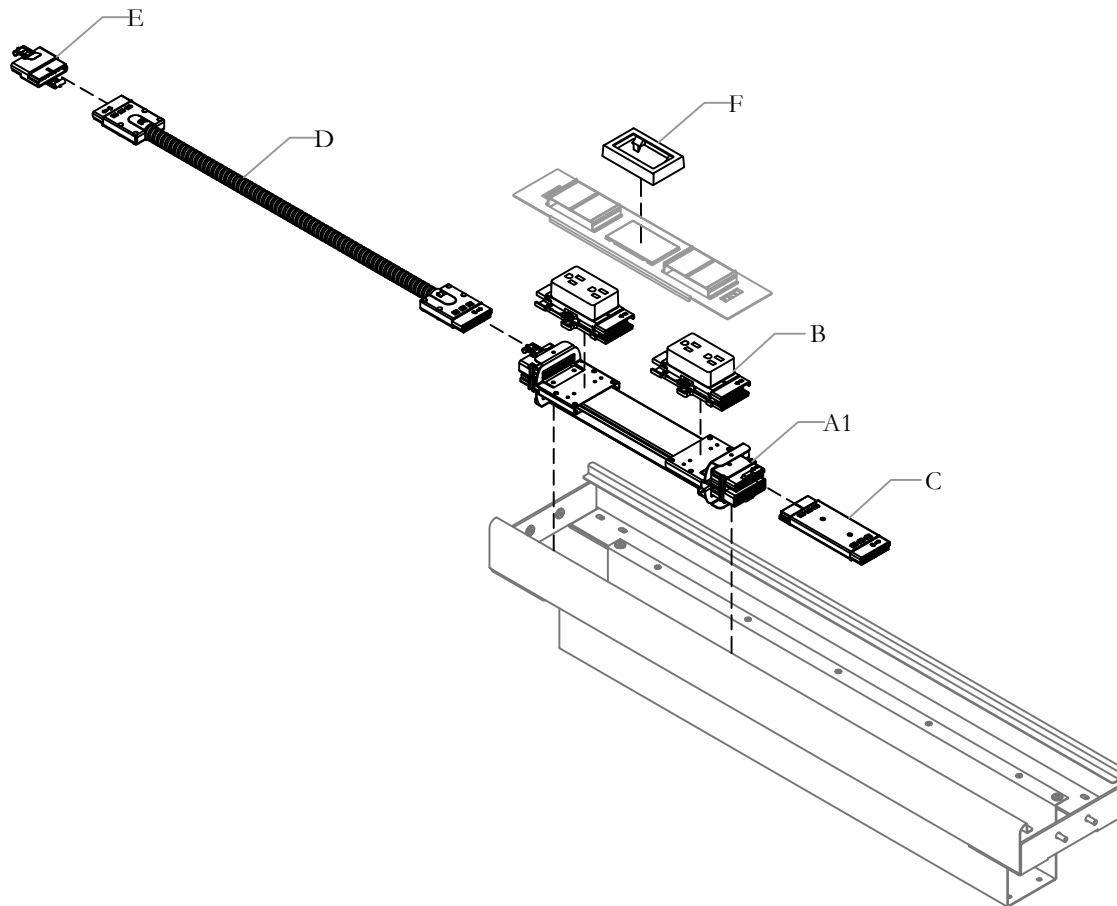
Section: **HEIGHT ADJUSTABLE BENCH**

Description: **ELECTRICS**

tekunion

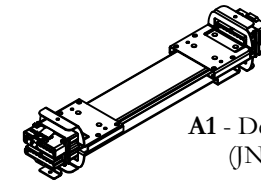
Date: May 2023 Page No: 1 of 9  
HABH\_316a Rev. No: 2

hiSpace Power Module (HWBEPM), hiSpace Receptacle Outlet (HWBERO), Power Harness (HWBEPH), hiSpace Connector (HWBEIC)



## Part and Product Identification

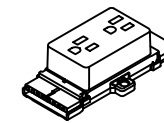
A - hiSpace Power Module (HWBEPM) x1



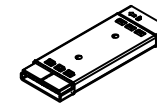
A1 - Dekko Power Module Assm. (JNEPB8TAS) x1



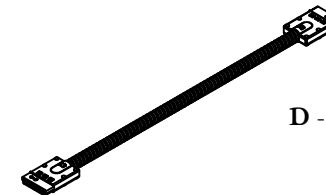
A2 - #8x1/2" Screw (FS8x1/2-RRB) x8



B - hiSpace Receptacle Outlet (HWBERO) x2



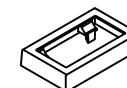
C - hiSpace Connector (HWBEIC) x1



D - Power Harness (HWBEPH) x1

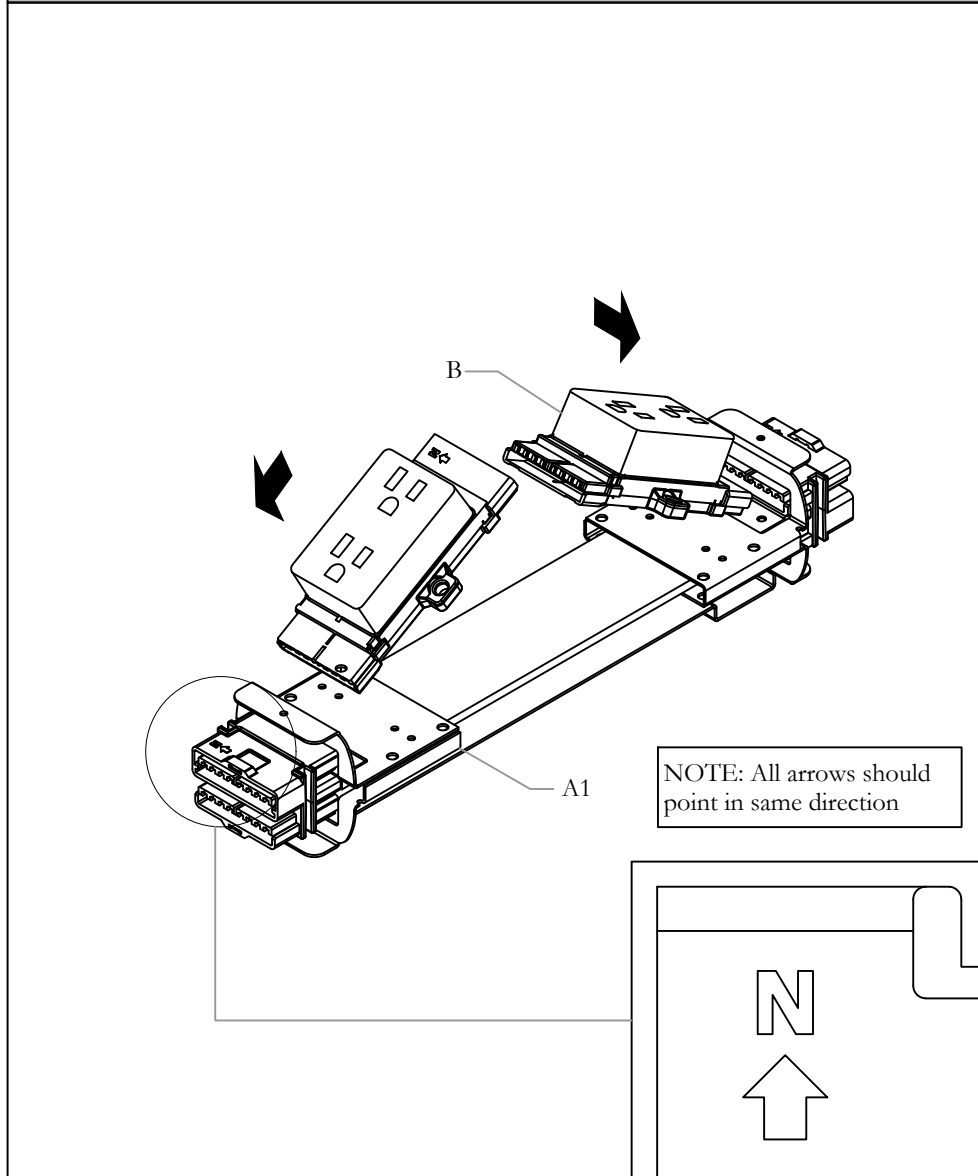


E - hiSpace I-Connector (HWBEIC) x1



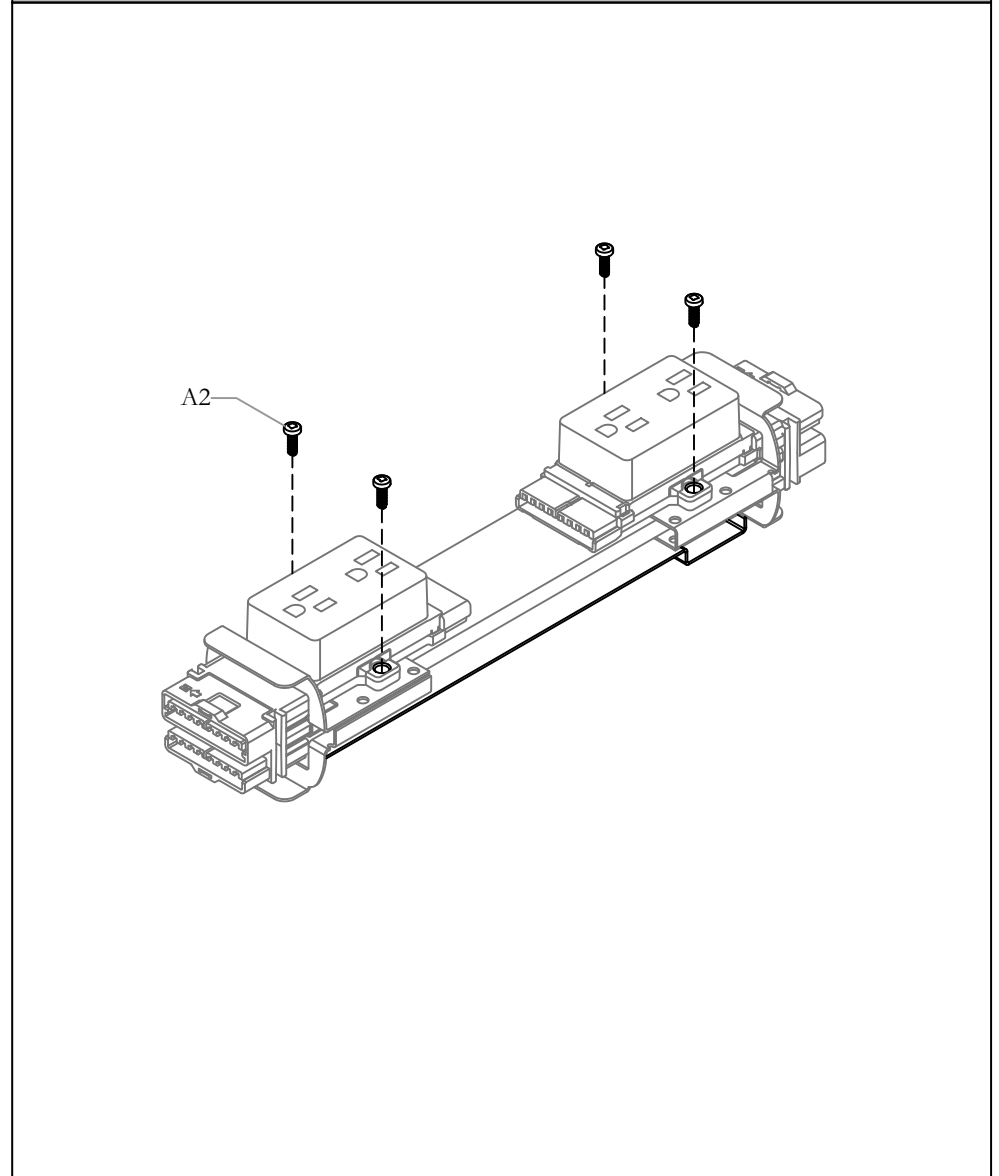
F - Data Extender Plate (HWBEXP) x1

## ASSEMBLE POWER MODULE



STEP 1: Slide and engage Receptacles into Power Module.

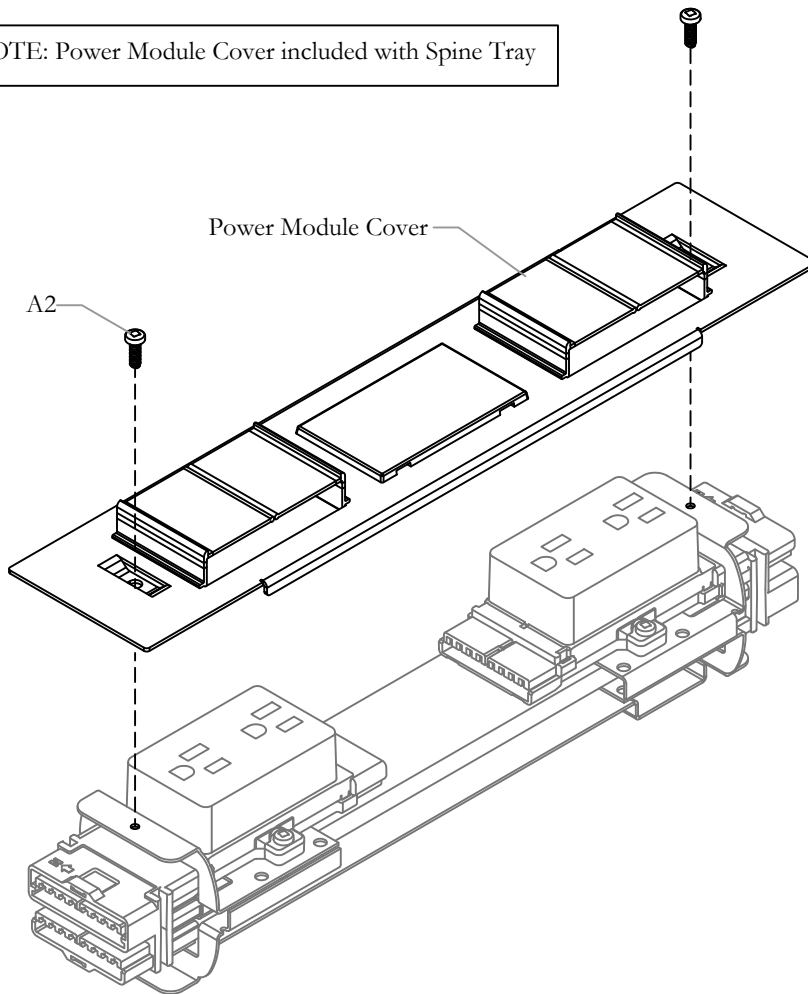
## SECURE OUTLETS



STEP 2: Fasten Receptacles using provided screws.

## ATTACH COVER

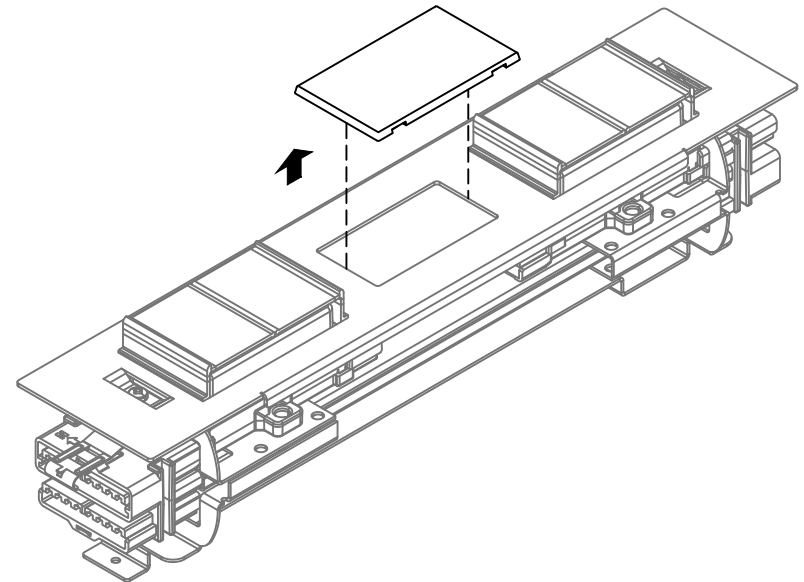
NOTE: Power Module Cover included with Spine Tray



STEP 3: Attach the Module Cover plate onto the Power Module and secure using provided screws.

## REMOVE COVER

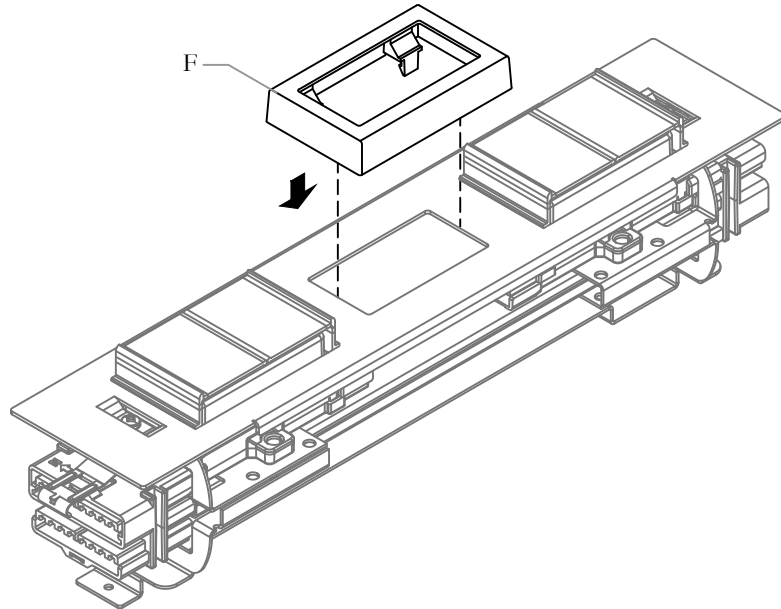
NOTE: This step only necessary if Data Extender Plate is specified



STEP 4: If Data Extender Plate is specified, remove Plate from Power Module Cover.

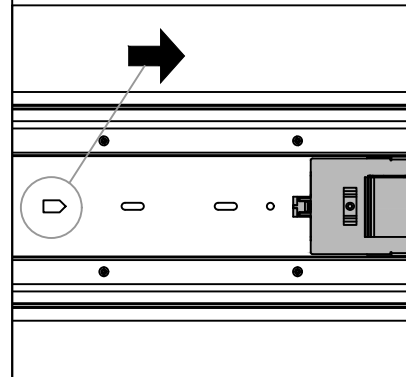
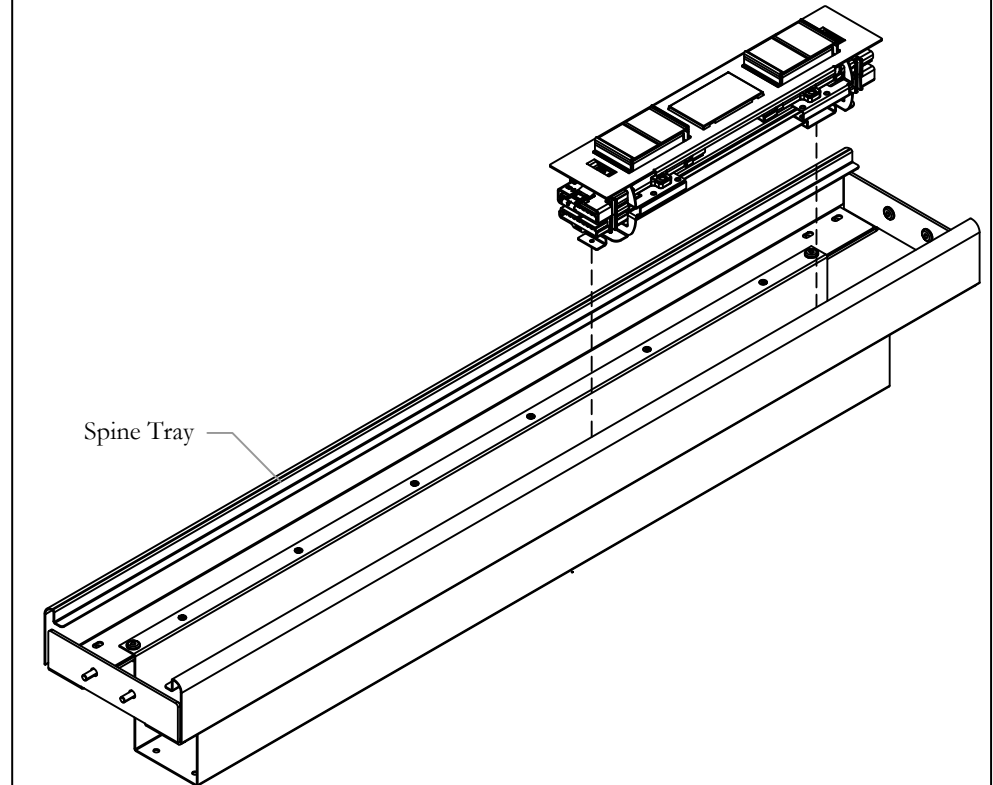
## ATTACH DATA EXTENDER PLATE

NOTE: This step only necessary if Data Extender Plate is specified



STEP 4: Attach the Data Extender Plate by snapping in place.

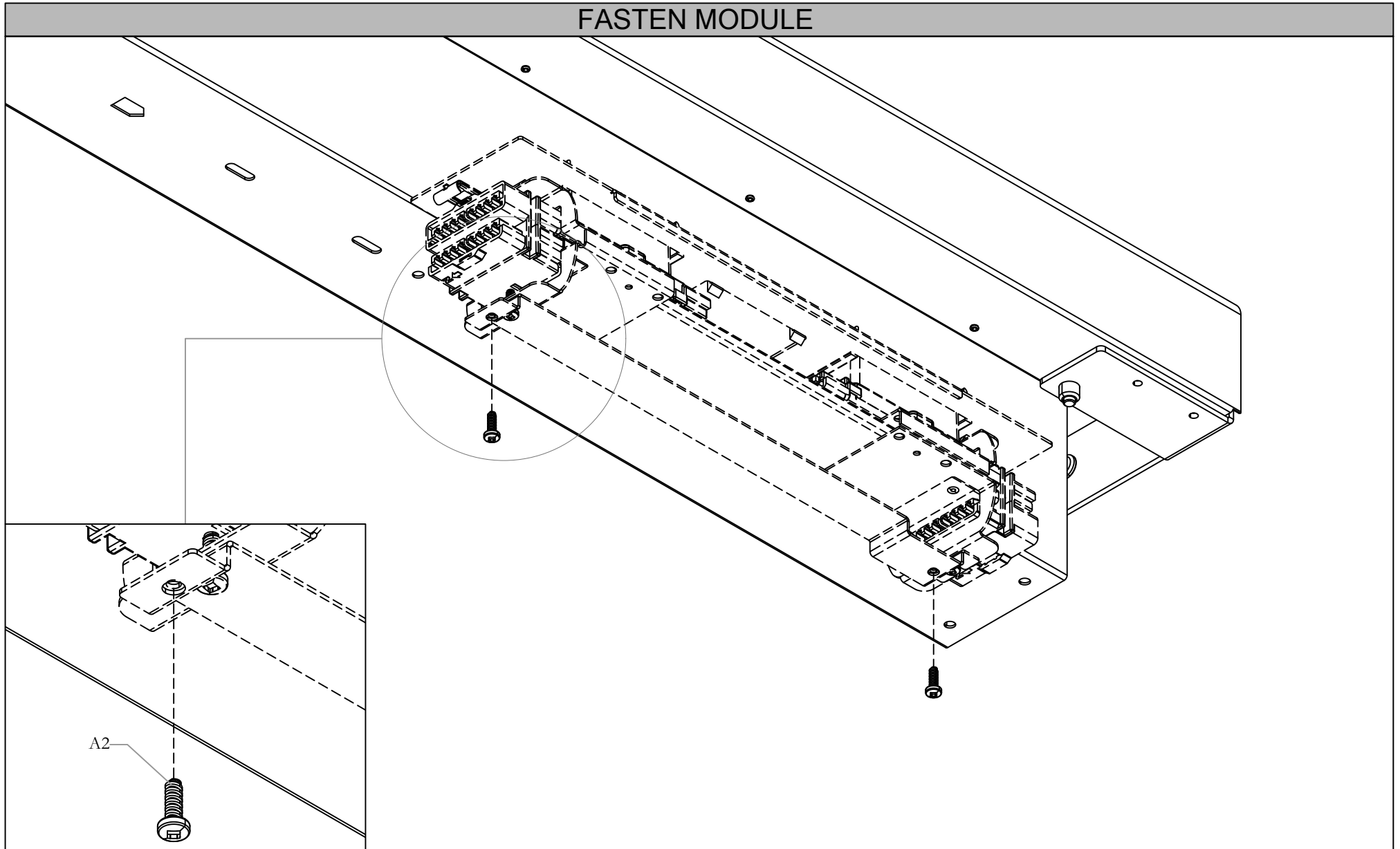
## INSERT INTO SPINE TRAY



NOTE: The first Power Module **MUST** be installed offset and justified in the direction of the arrow on the spine tray assembly as shown in the zoomed in image. All downstream Power Boxes **MUST** be installed offset and justified to the same end of the power tray as the first Power Box.

STEP 5: Place the Power Module into the Spine Tray Assembly in the direction pointed on the spine tray

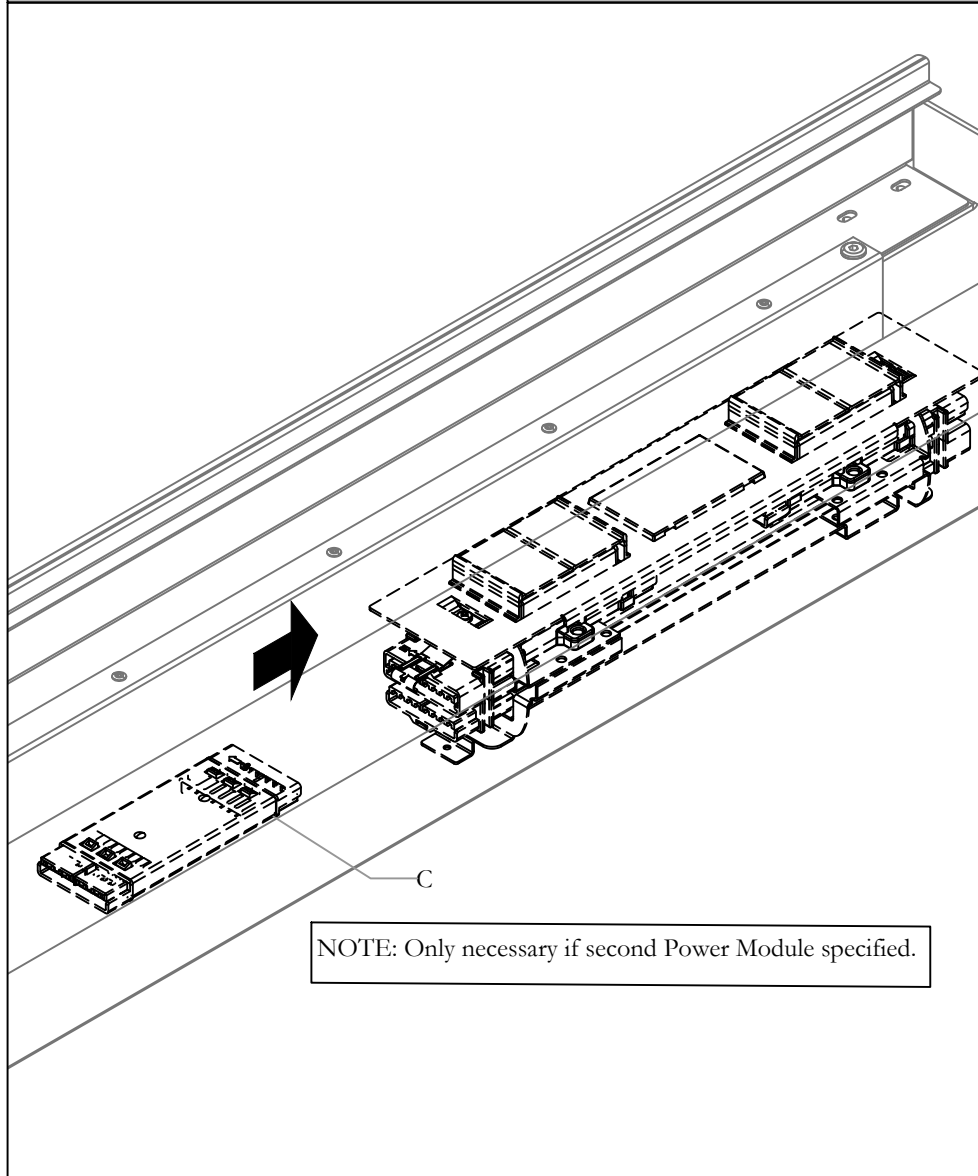
FASTEN MODULE



STEP 6: Secure Power Module from the Underside of the Tray using provided screws.

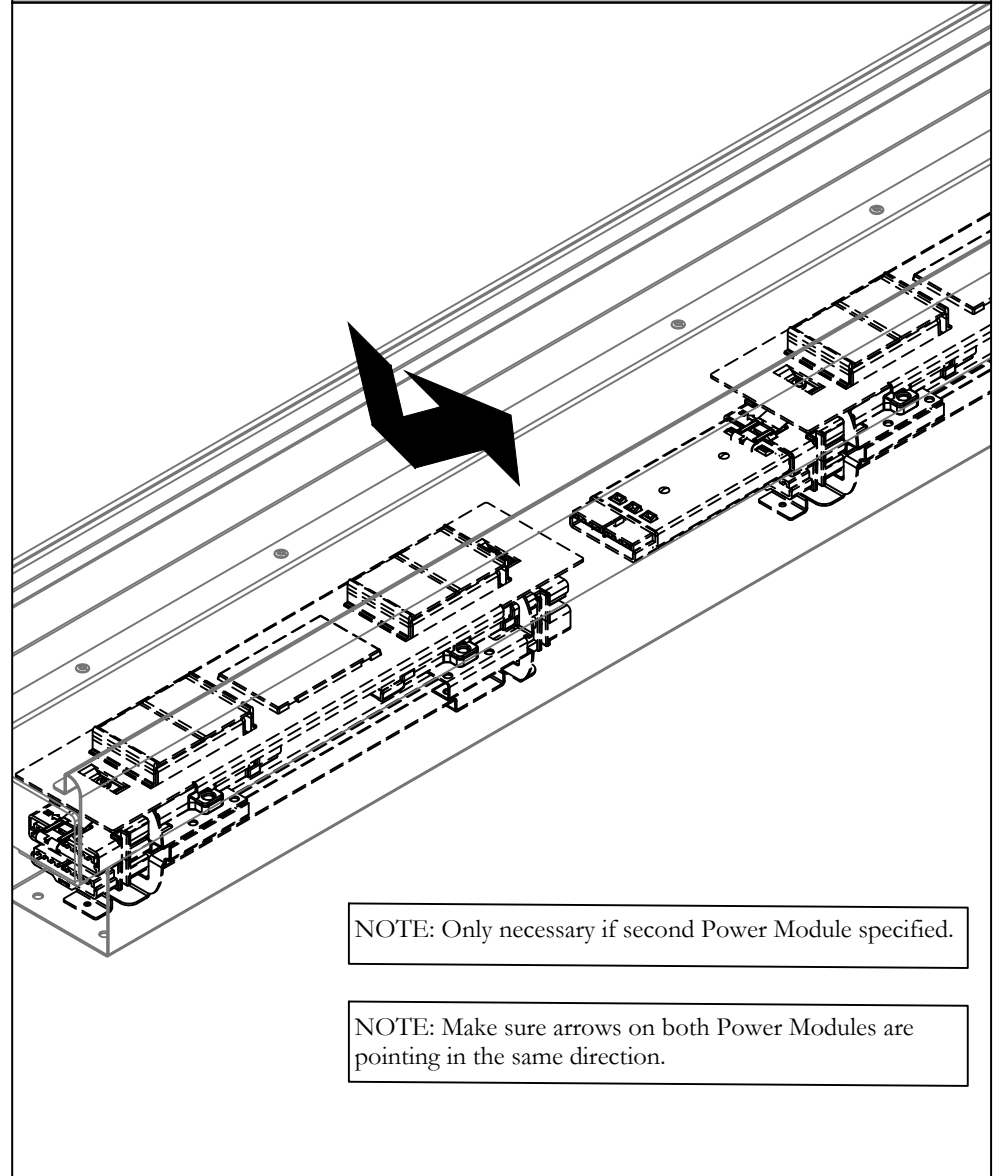


ATTACH HISPACE CONNECTOR



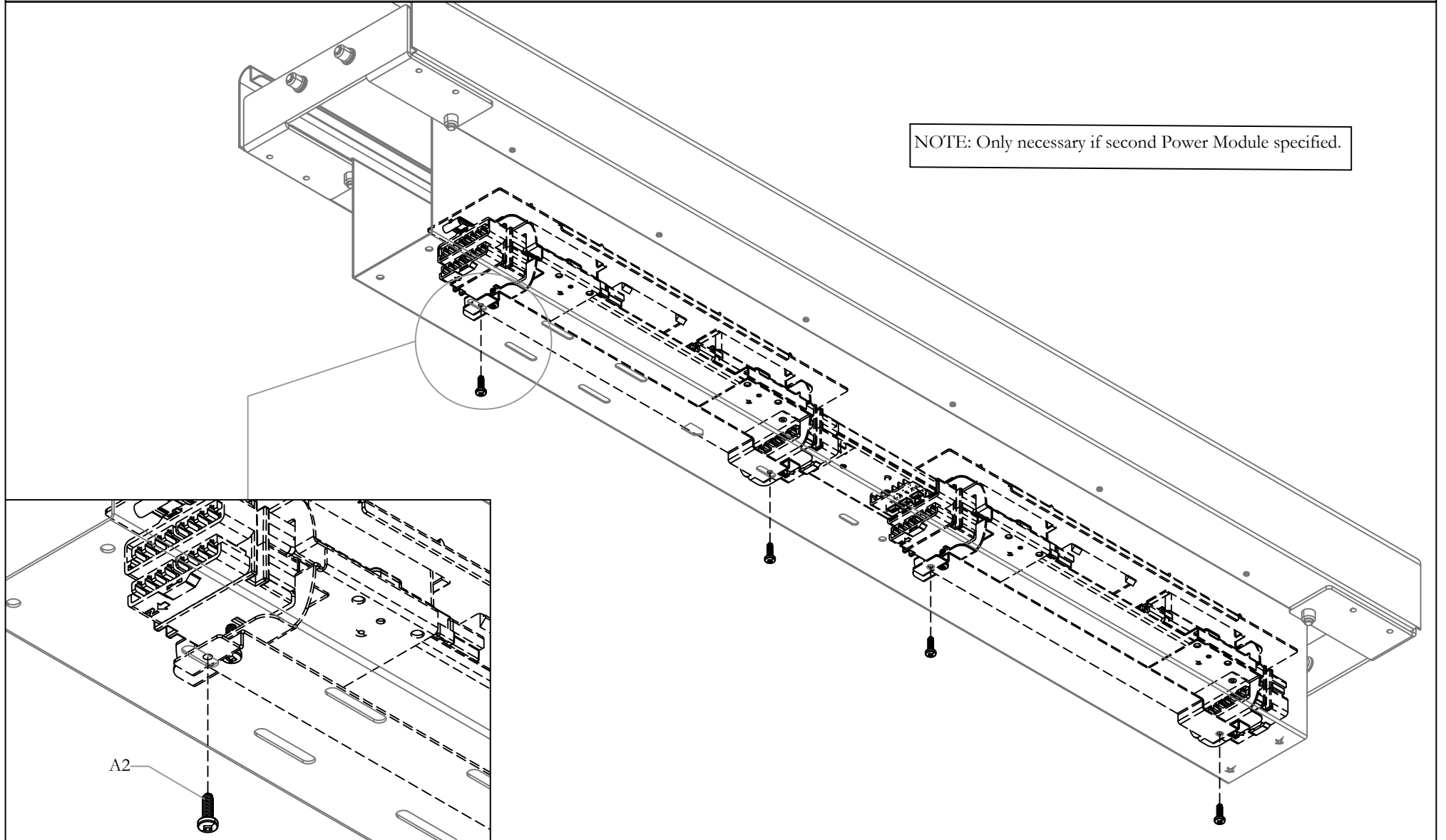
STEP 7: If two Power Modules are specified slide and engage the hiSpace Connector to first Power Module.

ATTACH SECOND POWER MODULE ASSEMBLY



STEP 8: Repeat steps 1-3 to assemble second Power Module and attach to hiSpace Connector.

SECURE SECOND POWER MODULE

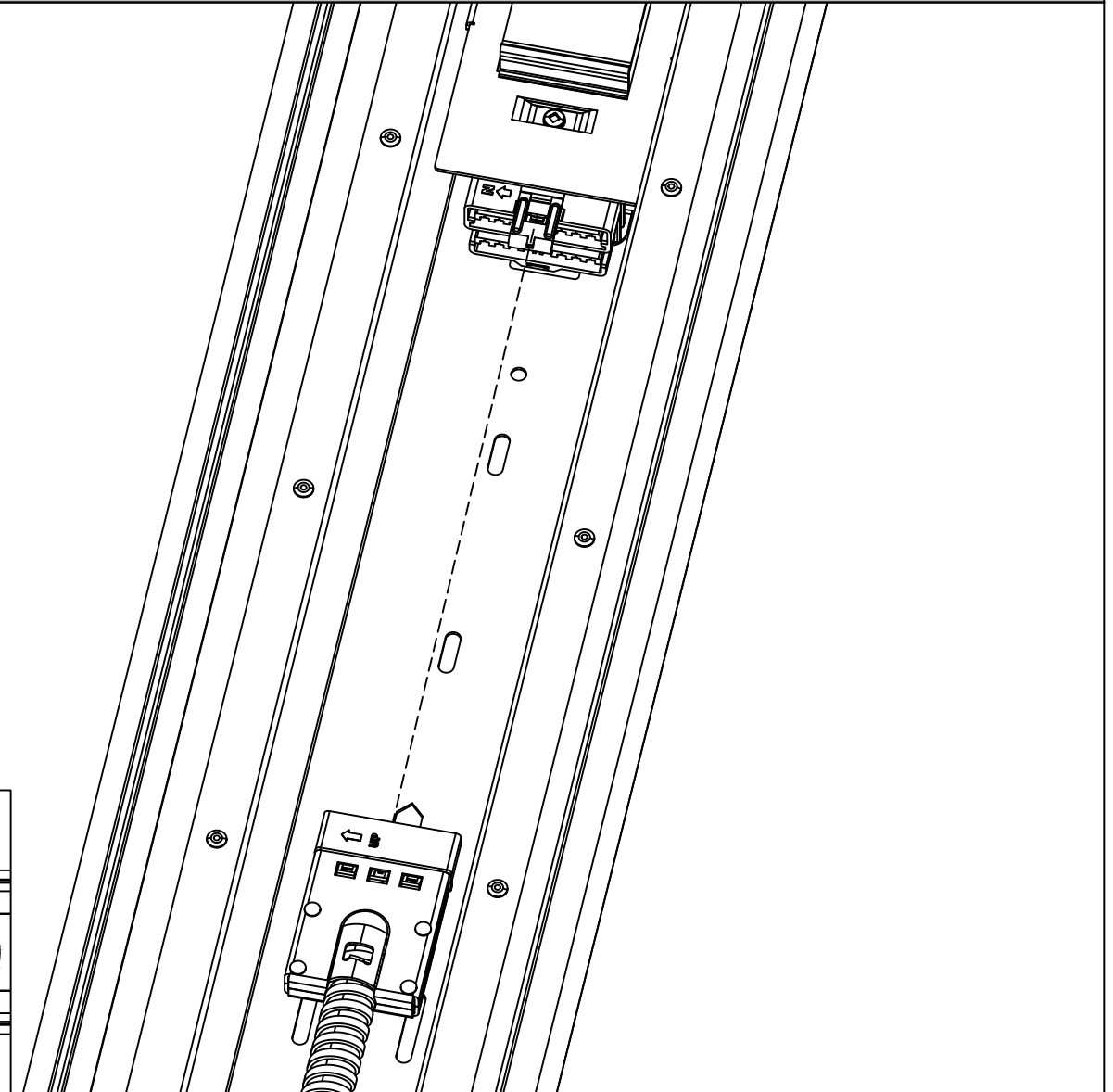
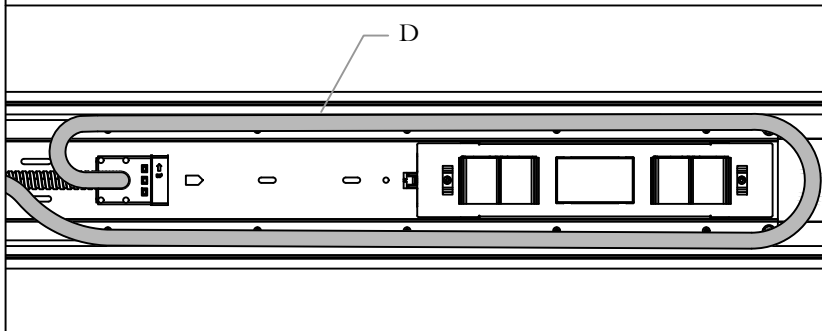


STEP 9: Secure second Power Module from underside of Tray using provided screws.

## POWER HARNESS ASSEMBLY

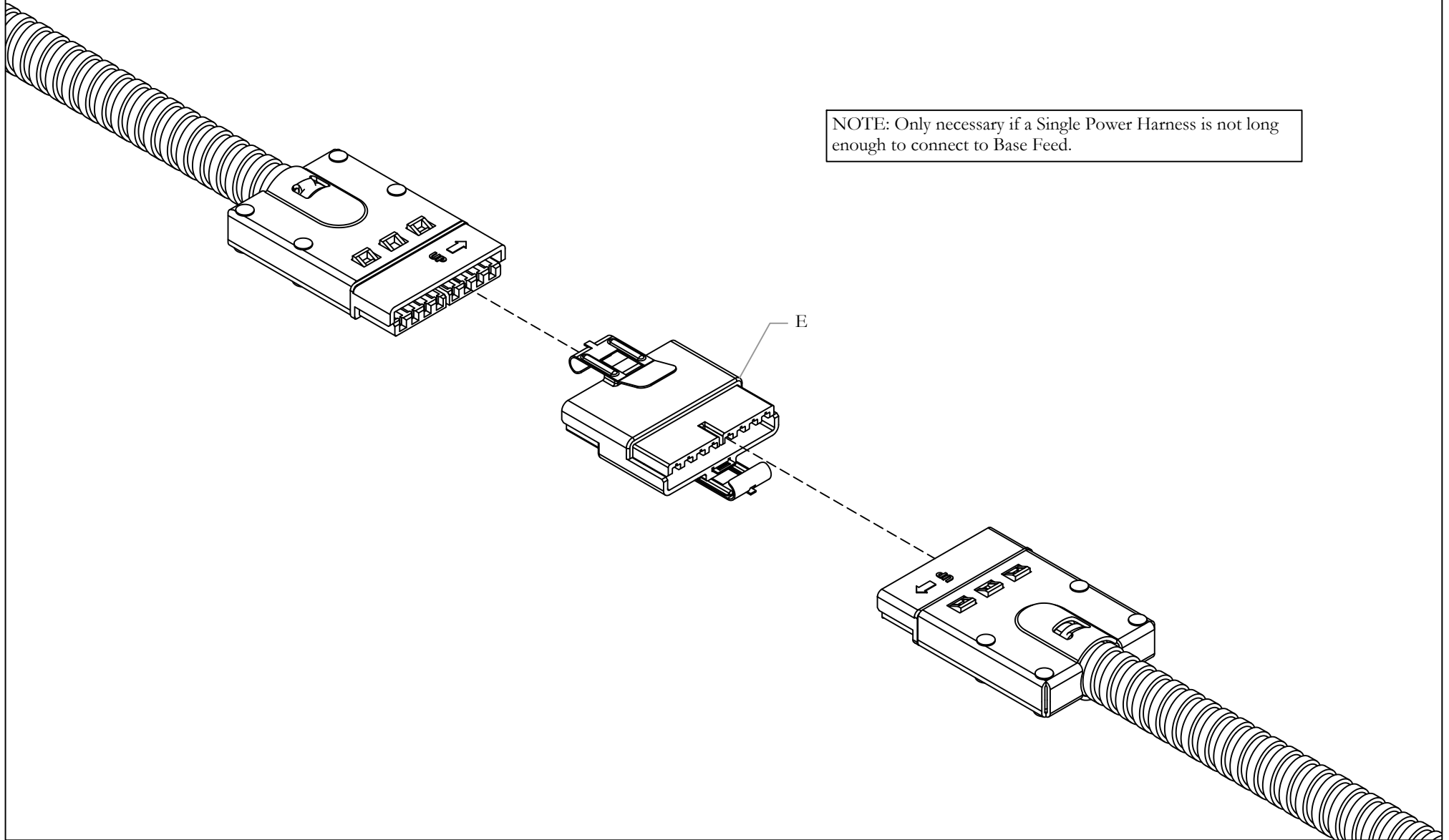
NOTE: Worksurfaces, Frames, Control Boxes and Wires are hidden for Illustration Purposes.

NOTE: The amount of slack from the power harness might range anywhere between 2" to 14". It may be necessary to Loop the Harness inside the tray to prevent it from popping above the Spine Tray lid.



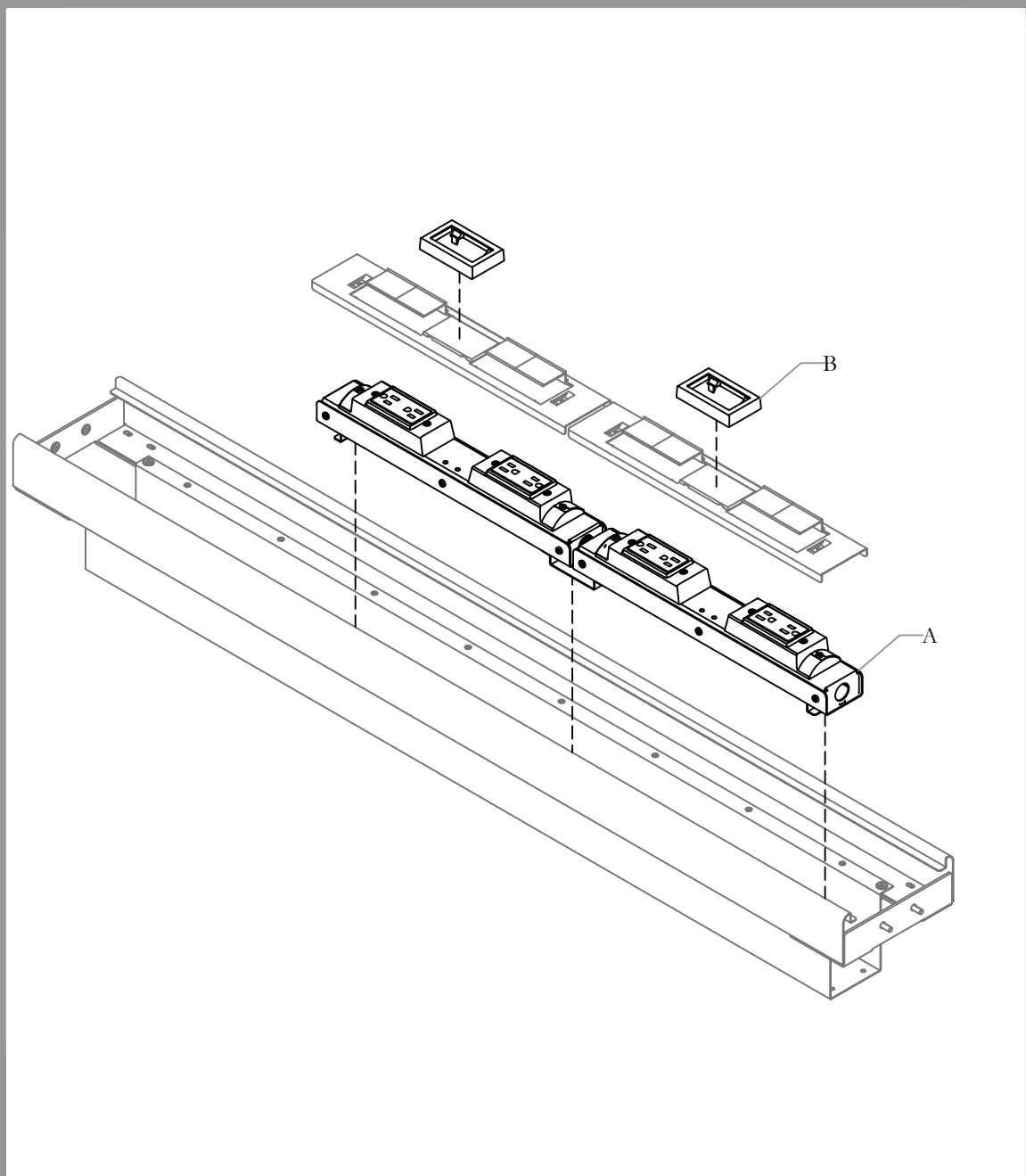
STEP 10: Connect Base Feed to Power Module. If Power Harness is specified, connect Power Harness to Power Module.

## ATTACH I-CONNECTOR IF NECESSARY

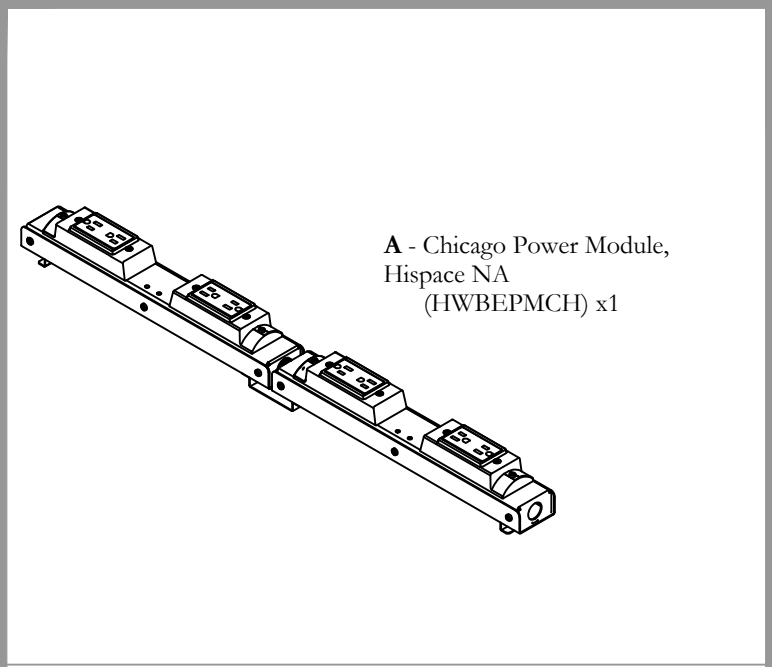


STEP 11: If a single Power Harness is not long enough to connect Power Harness to Base Feed join two Harnesses together using the hiSpace I-Connector. Slide and engage to connect.

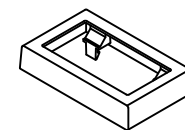
hiSpace Chicago Power Module (HWBEPMCH)



Part and Product Identification

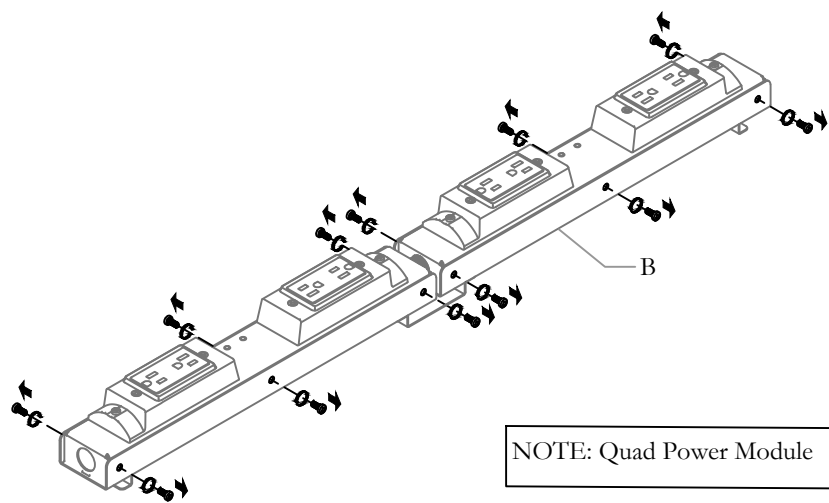
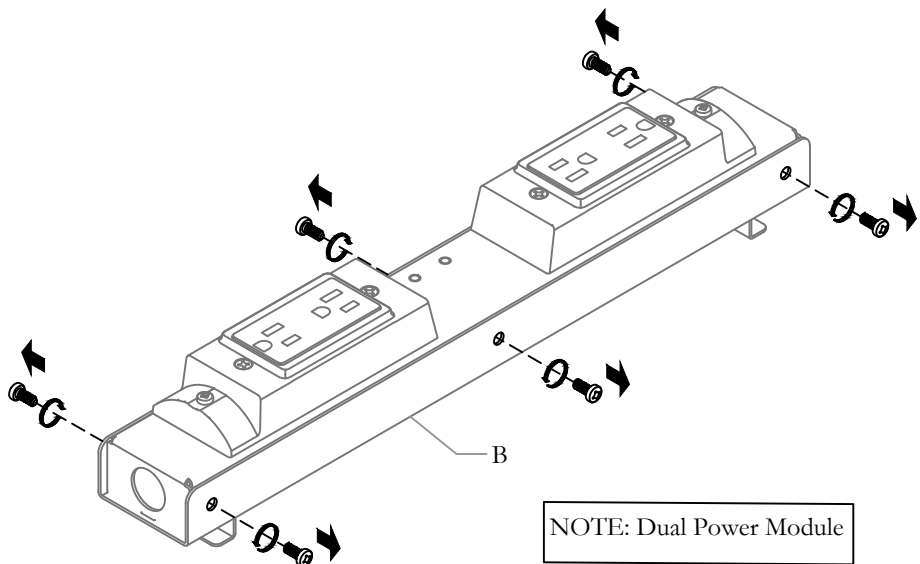


**A** - Chicago Power Module,  
Hispace NA  
(HWBEPMCH) x1



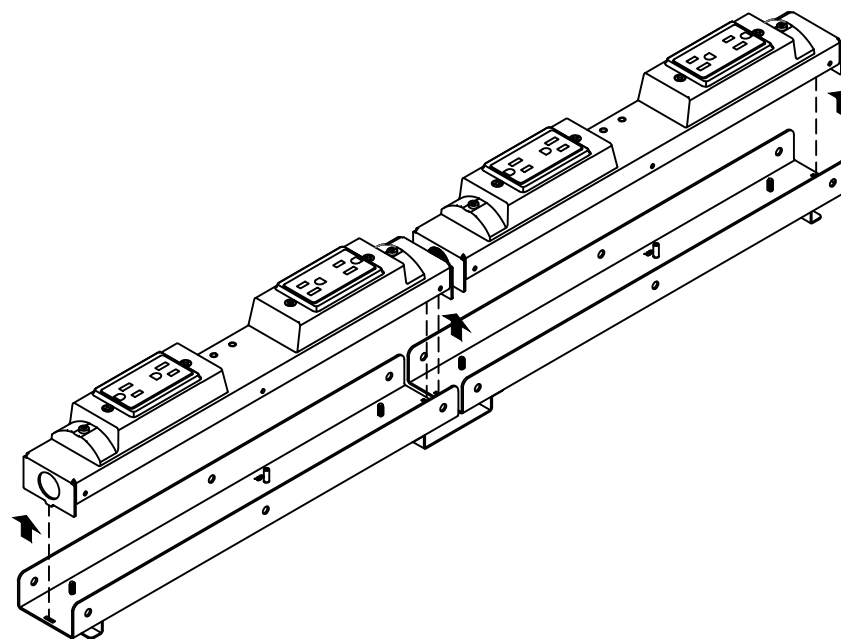
**B** - Data Extender Plate  
(HWBEXP) x1

## LOOSEN SCREWS



STEP 1: Remove Screws from the Chicago Power Module.

## DISASSEMBLE POWER MODULE



STEP 2: Disassemble Power Module.

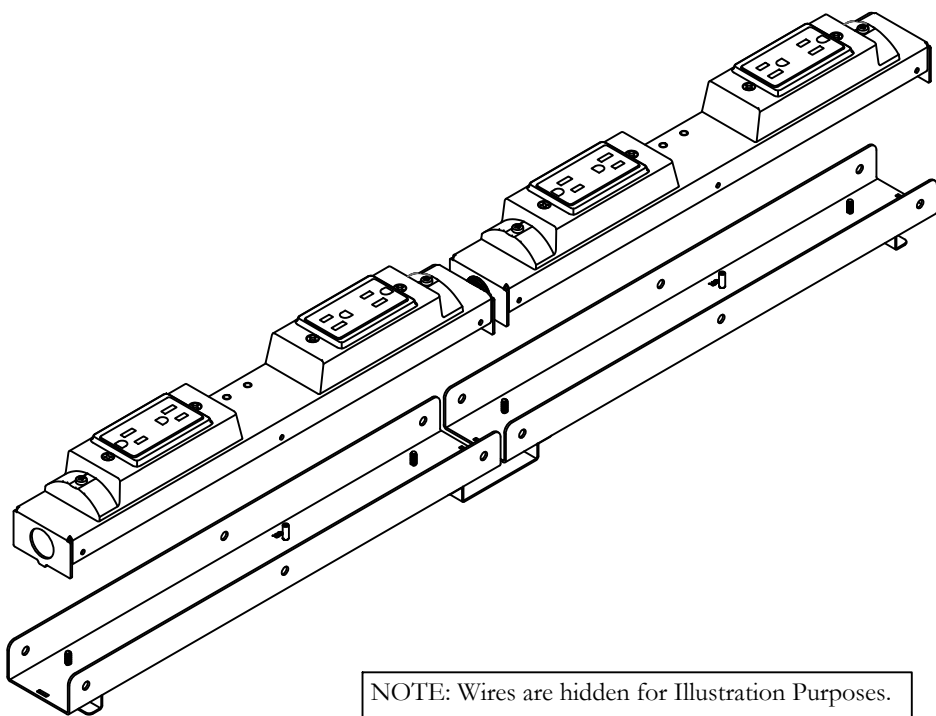
Section: **HEIGHT ADJUSTABLE BENCH**

Date: Feb 2022 Page No: 3 of 7  
HABH\_316b

Description: **ELECTRICS**

## MAKE WIRE CONNECTIONS

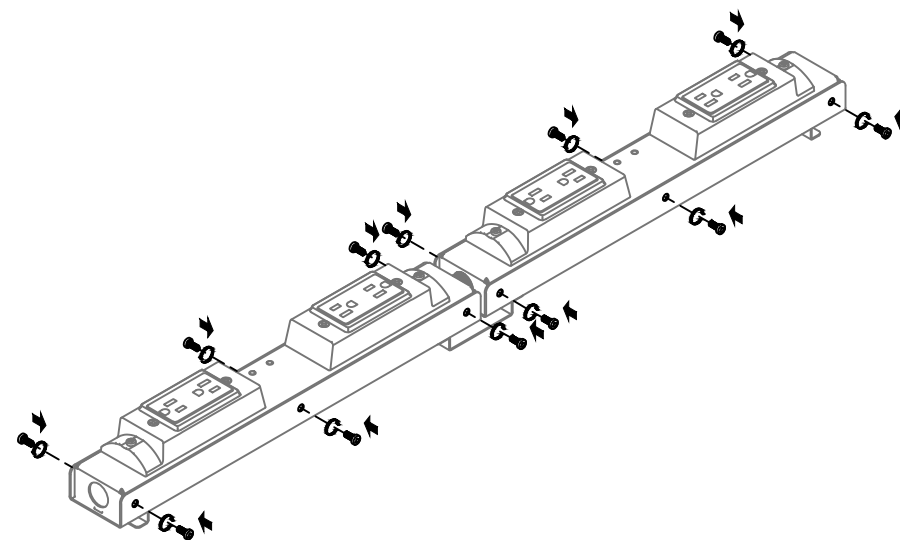
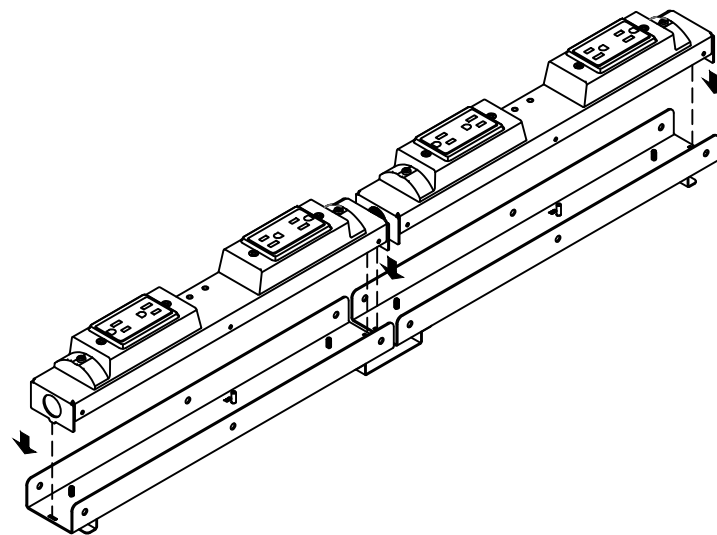
NOTE: A Licensed Electrician needs to make the Wire Connections.



NOTE: Wires are hidden for Illustration Purposes.

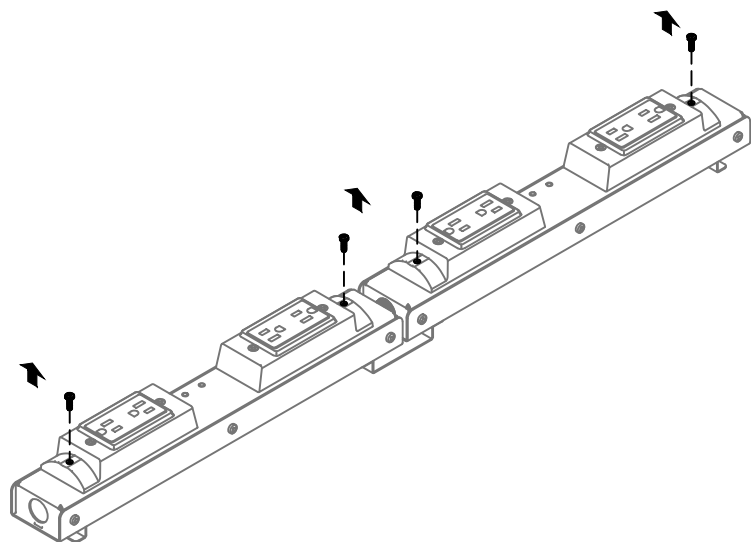
STEP 3: Make wire connections.

## REASSEMBLE HOUSING

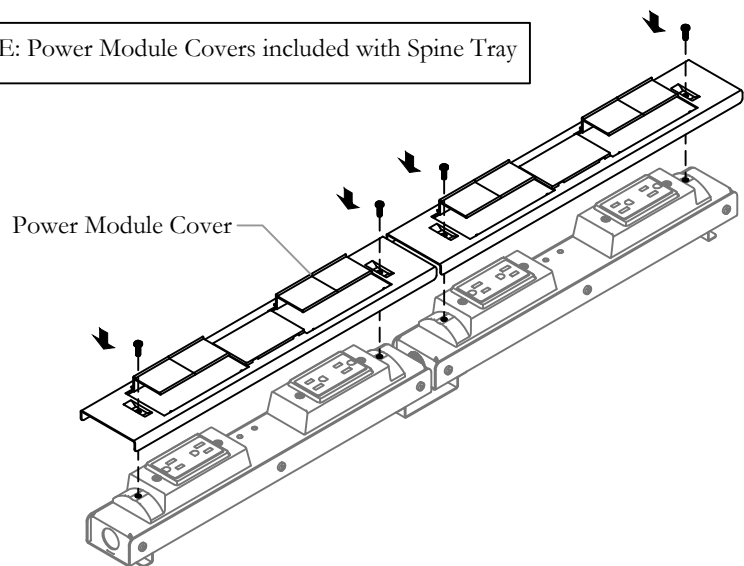


STEP 4: Reassemble housing.

## ATTACH COVER



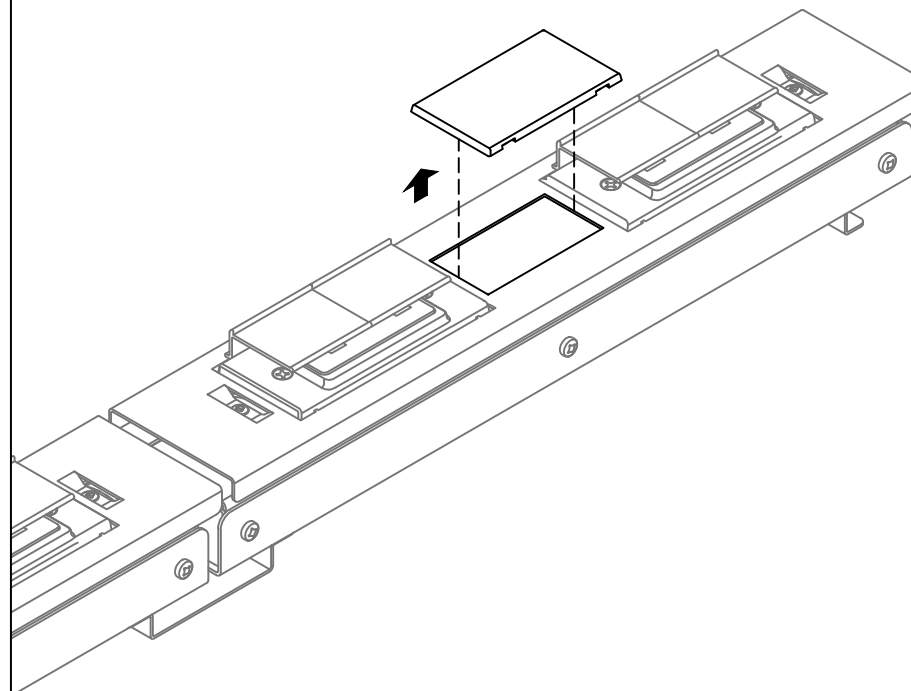
NOTE: Power Module Covers included with Spine Tray



STEP 5: Remove screws temporarily to attach Chicago Power Module Cover and secure.

## REMOVE PLATE

NOTE: This step only necessary if Data Extender Plate is specified

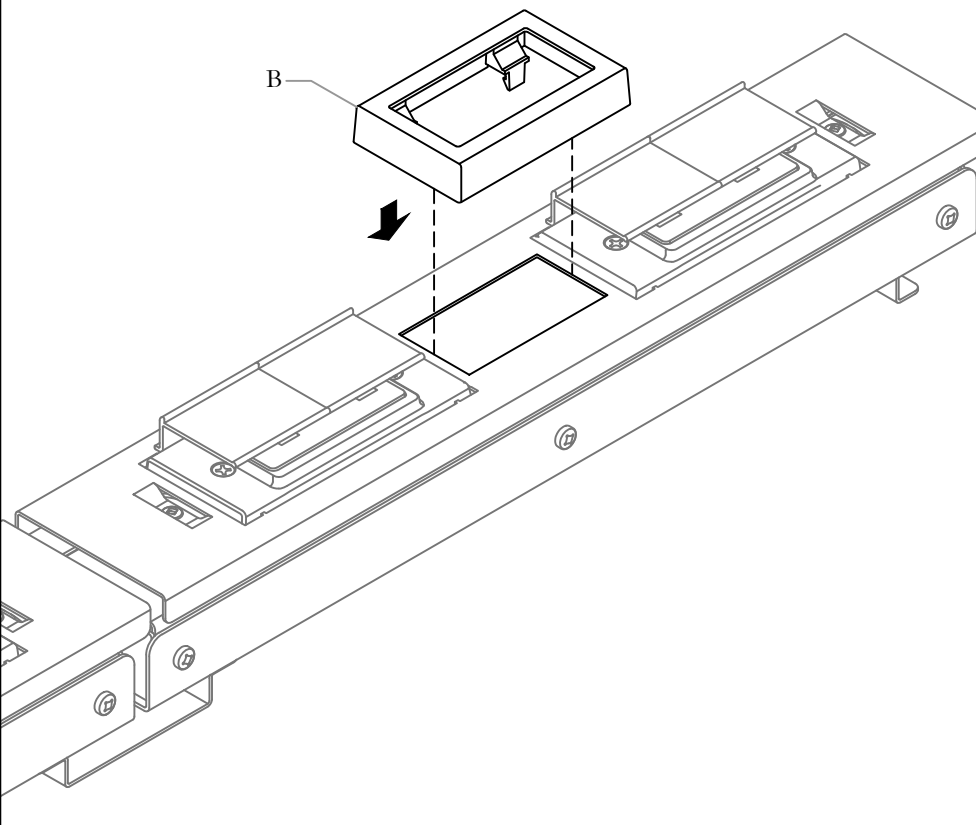


STEP 6: If Data Extender Plate is specified, remove Plate from Power Module Cover.



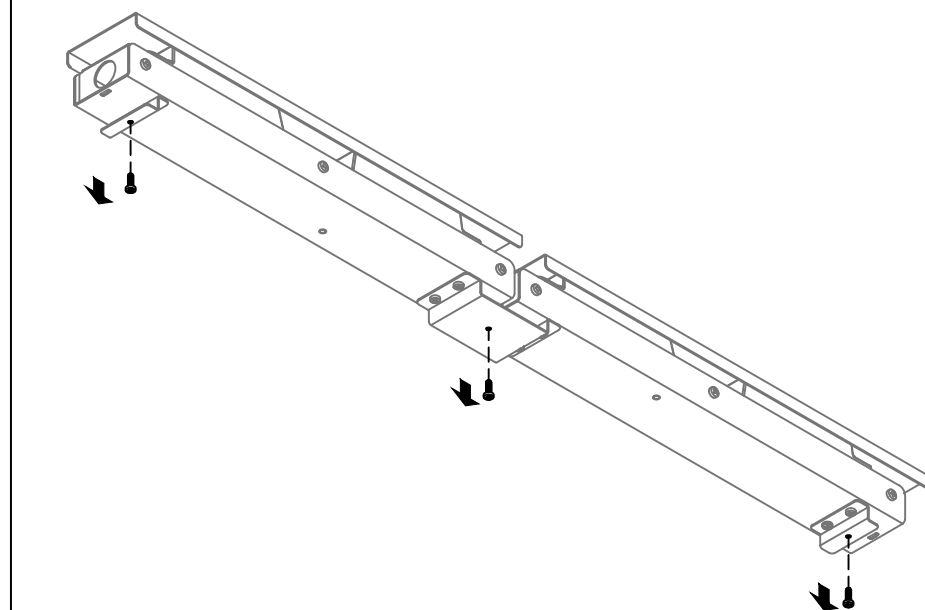
## ATTACH COVER

NOTE: This step only necessary if Data Extender Plate is specified

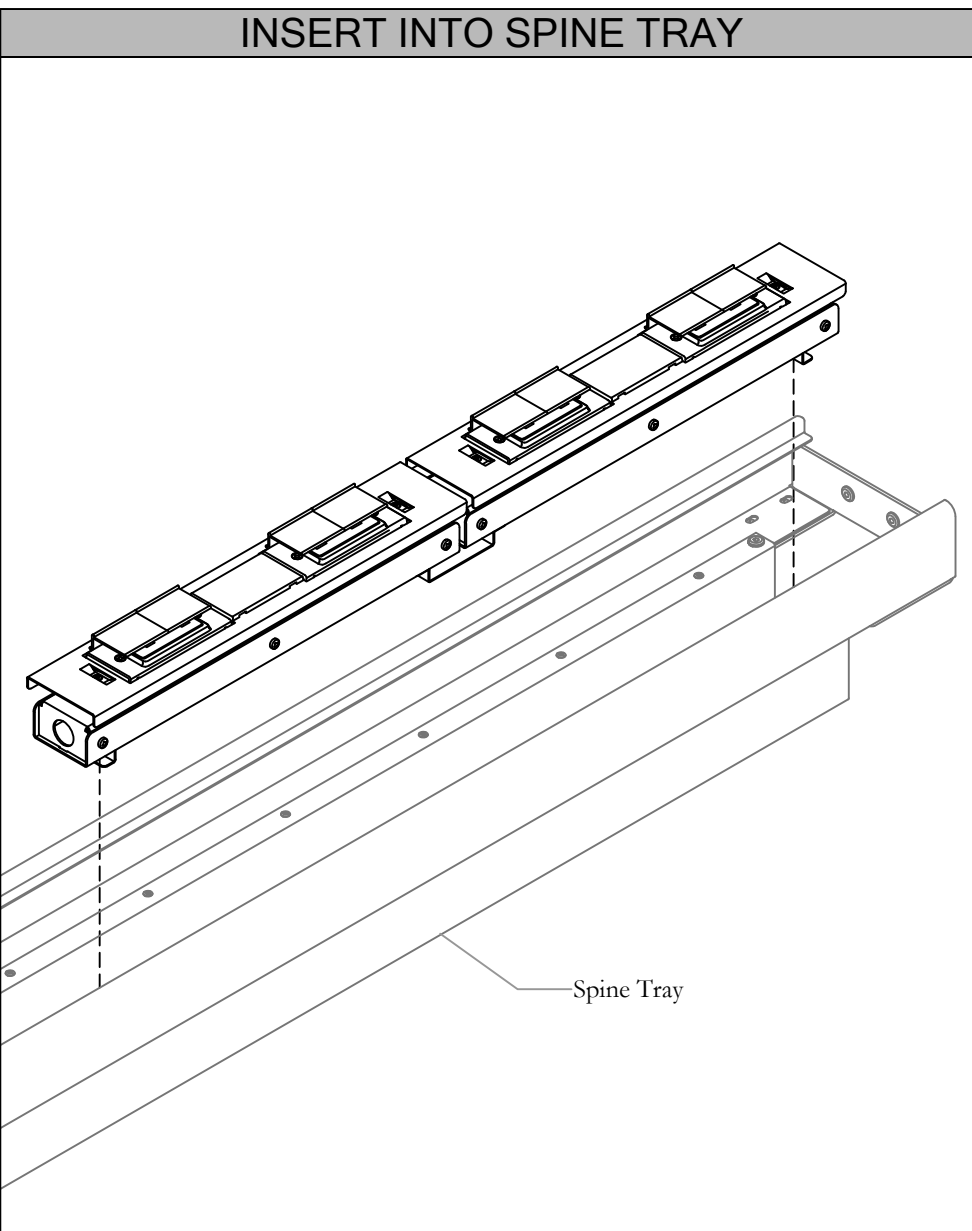


STEP 7: Attach the Data Extender Plate by snapping in place.

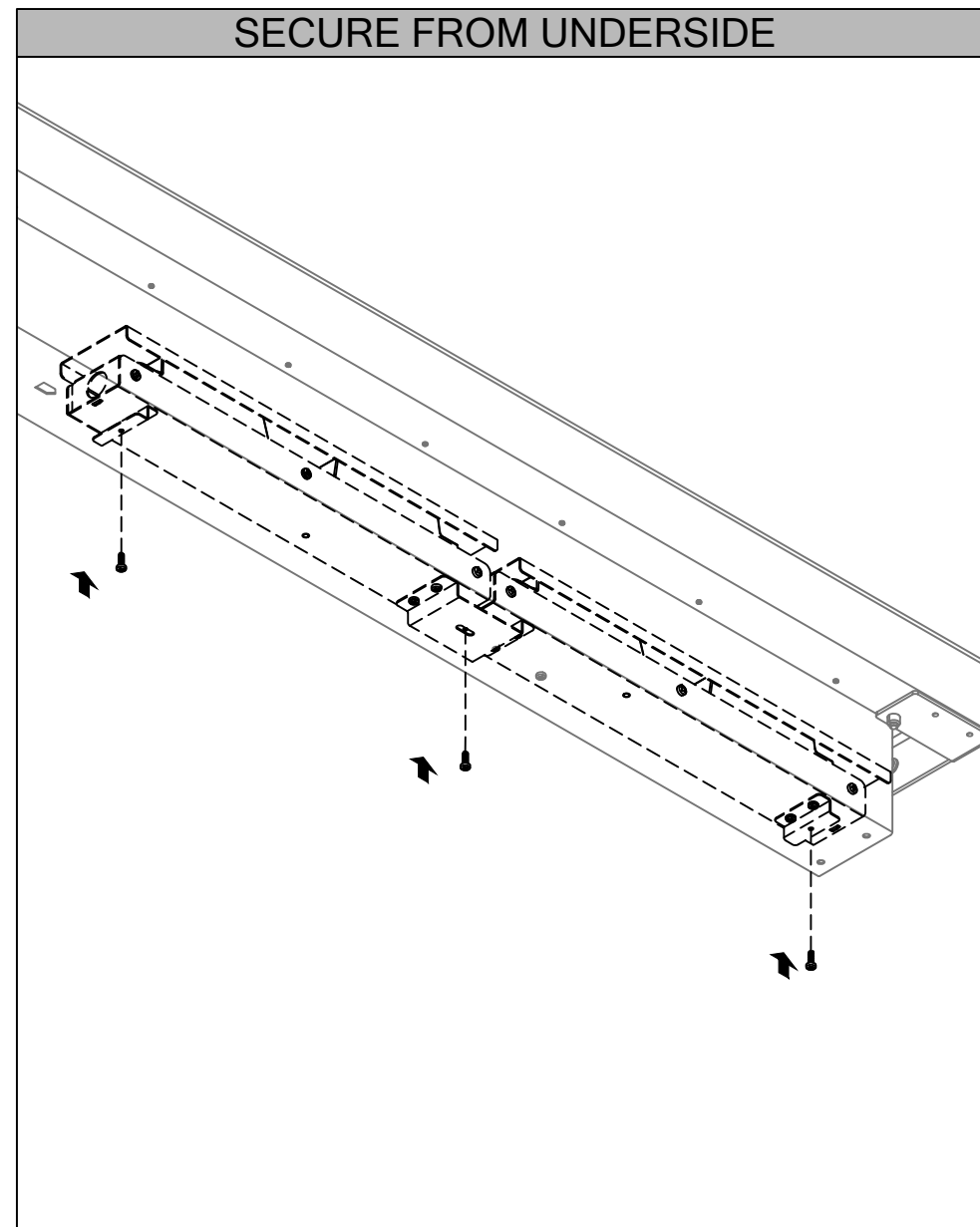
## REMOVE BRACKET SCREWS



STEP 8: Remove screws from the brackets on the underside of the Power Module.



STEP 9: Insert the Power Module into Spine Tray.

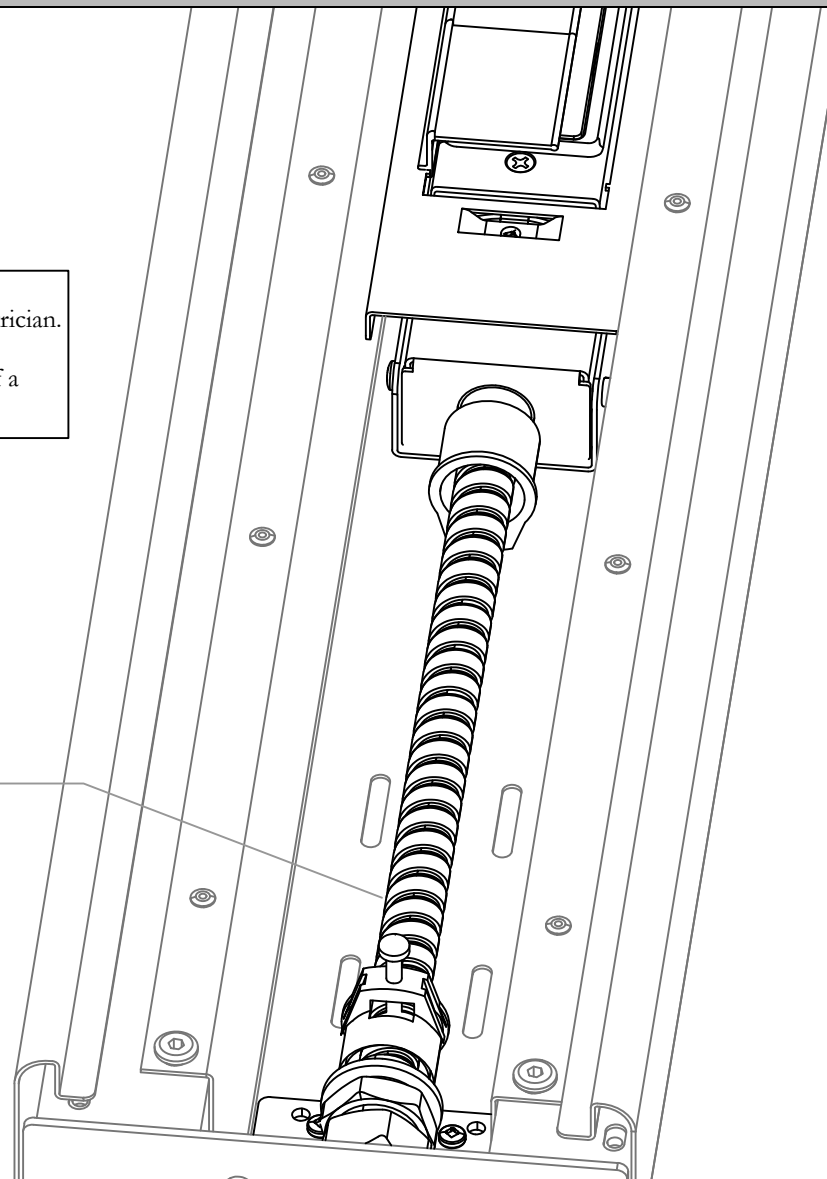


STEP 10: Secure the Power Module from the underside of the Tray using the screws removed in step 6.

POWER ASSEMBLY

**WARNING!** \*Do not connect to power source until installation is complete.  
\*Connection to the building power source must be performed by a licensed electrician.  
\*Not following these instructions could result in damage and/or injury.  
\*It is recommended that electrical connections be made under the supervision of a licensed electrician in accordance with applicable codes and regulations.

hiSpace Chicago Base Feed



# height-adjustable bench *Installation Guides*

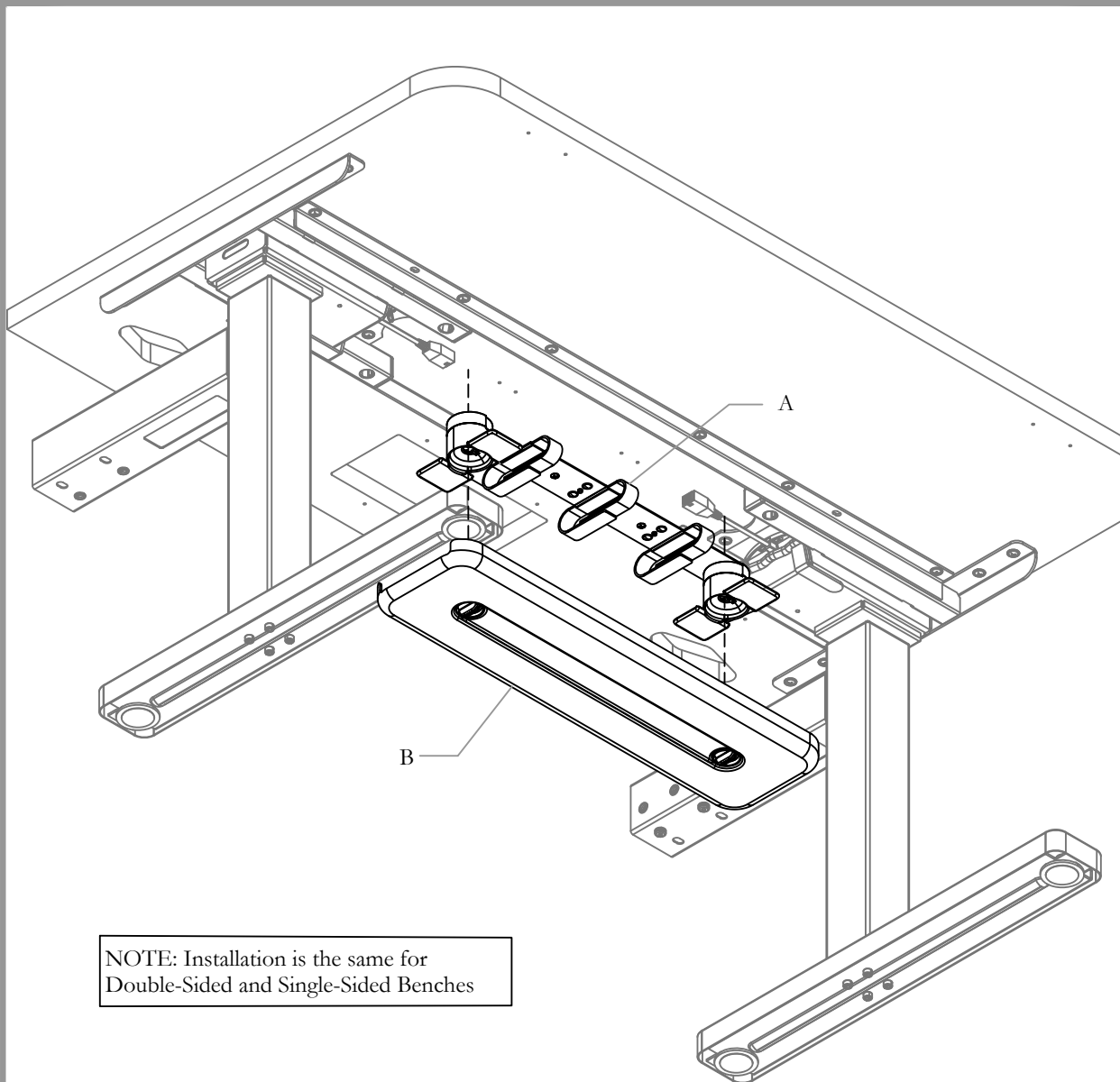
Section: **HEIGHT ADJUSTABLE BENCH**

Description: **ELECTRICS**

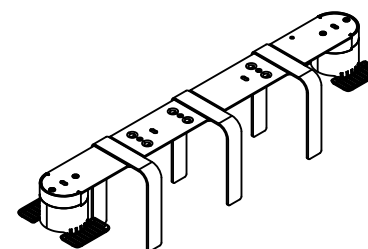
teknion

Date: Feb 2022 Page No: 1 of 5  
HABH\_317 Rev. No: 0

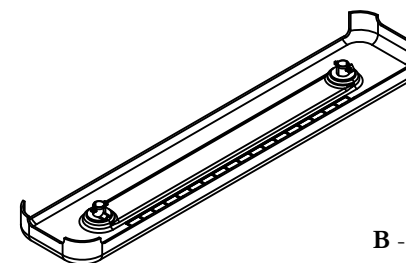
## Felt Cover Cable Organizer (HWBEWY)



## Part and Product Identification



**A** - Wire Manager  
Mounting Bracket  
(N09-8069S) x1

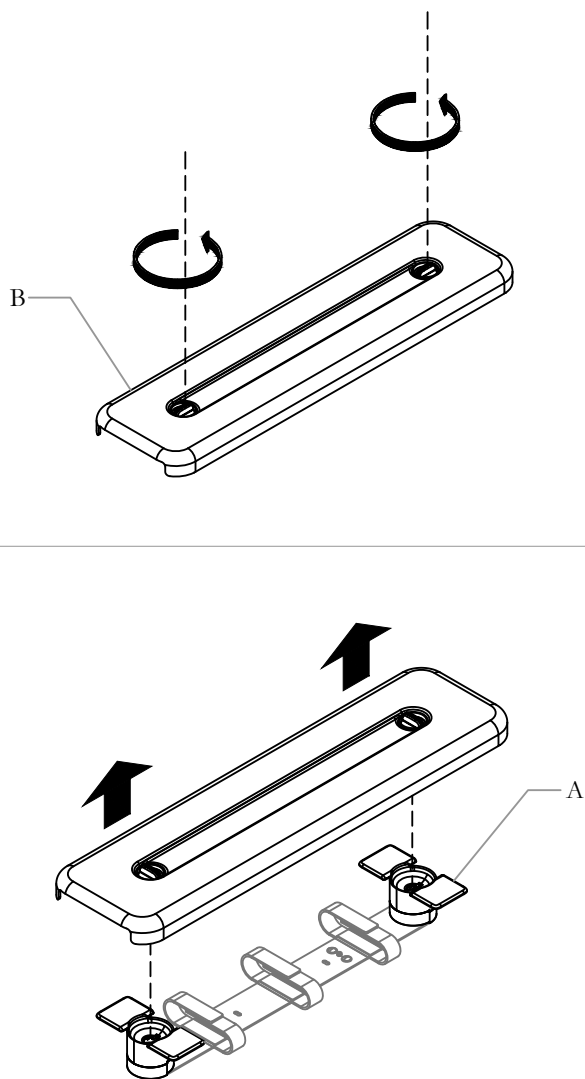


**B** - Wire Manager Cover  
(B07-0239) x1



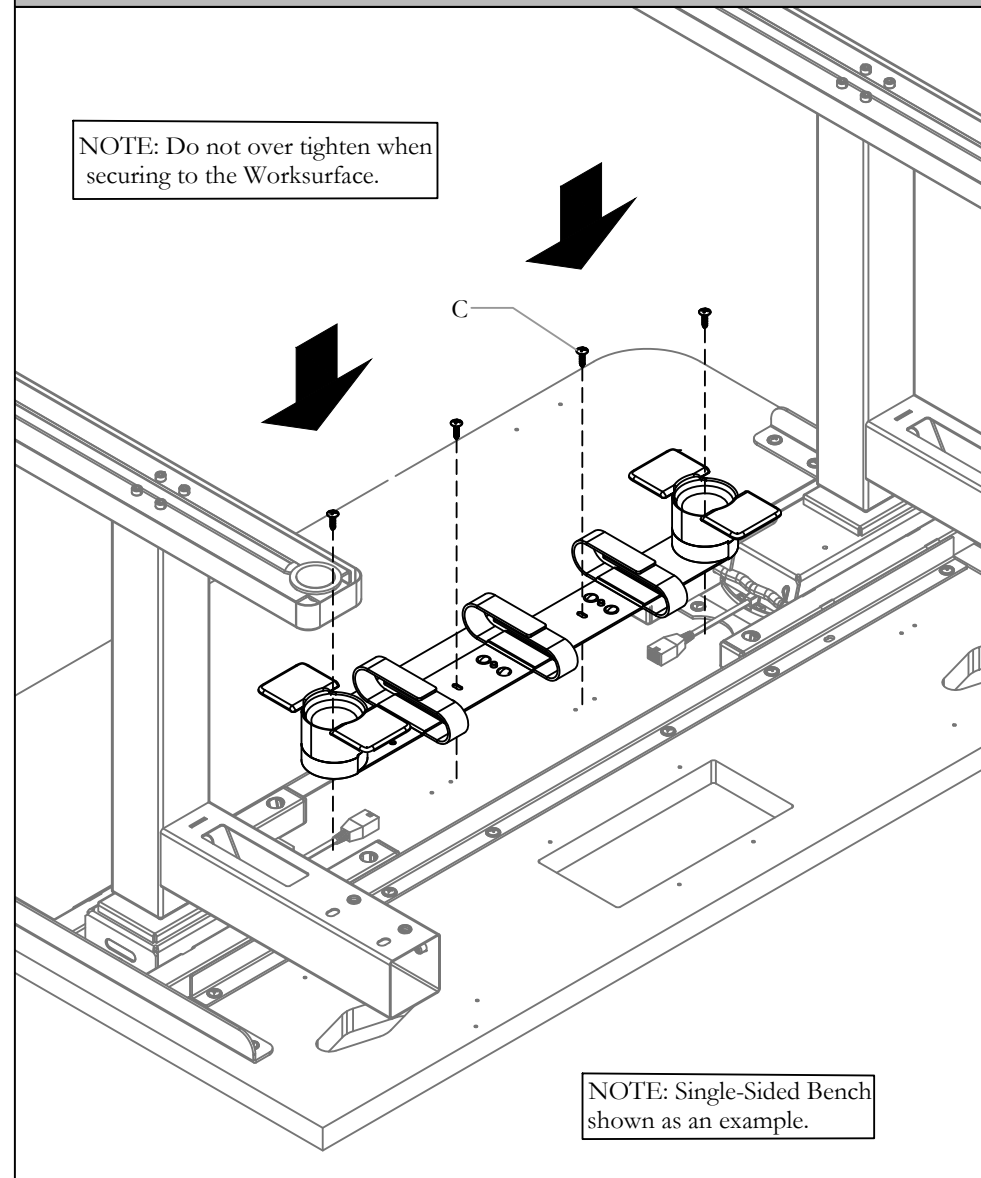
**C** - #10 Wood Screw  
(E07-0077) x4

## DISASSEMBLE FELT COVER



STEP 1: Disassemble Felt Cover as Shown

## ATTACH MOUNTING BRACKET

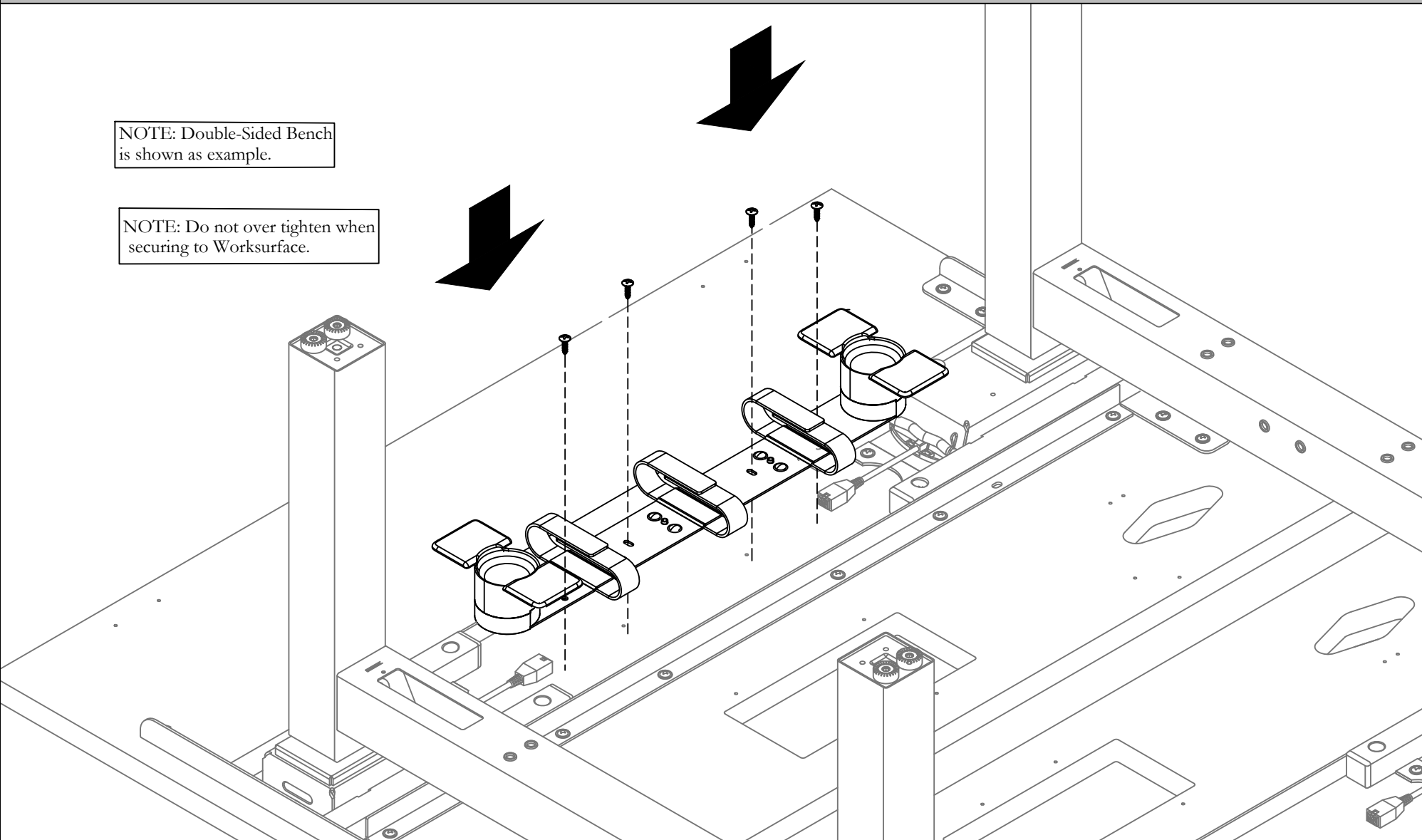


STEP 2a: Attach Mounting Bracket to Worksurface as shown.

## ATTACH MOUNTING BRACKET: DOUBLE-SIDED

NOTE: Double-Sided Bench is shown as example.

NOTE: Do not over tighten when securing to Worksurface.

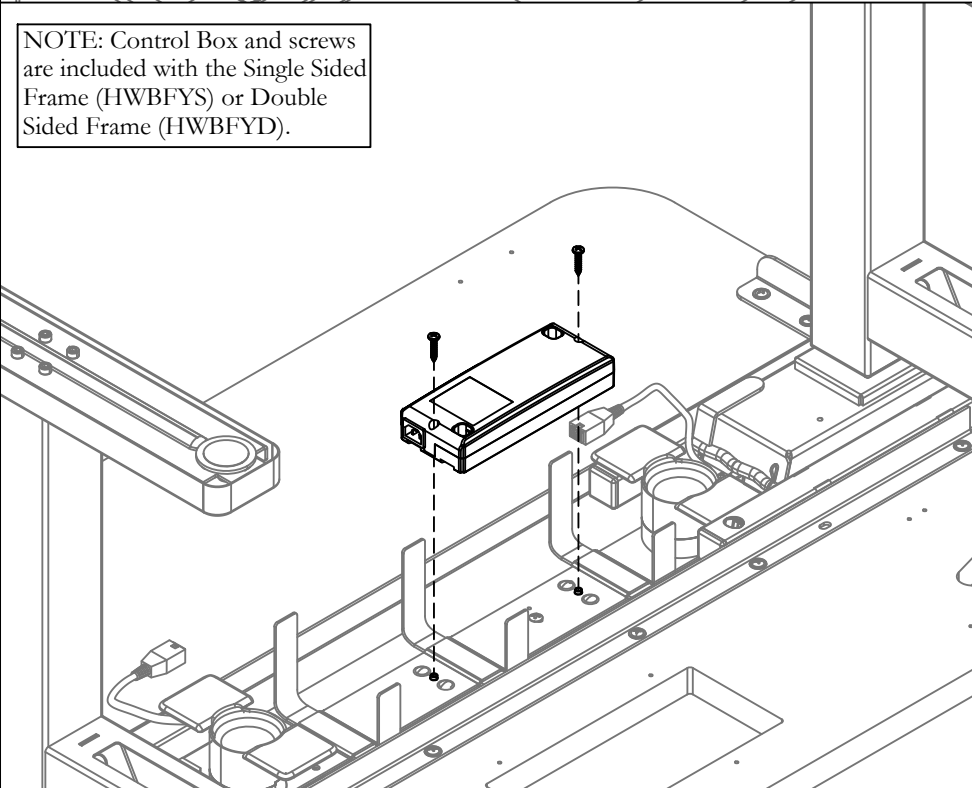
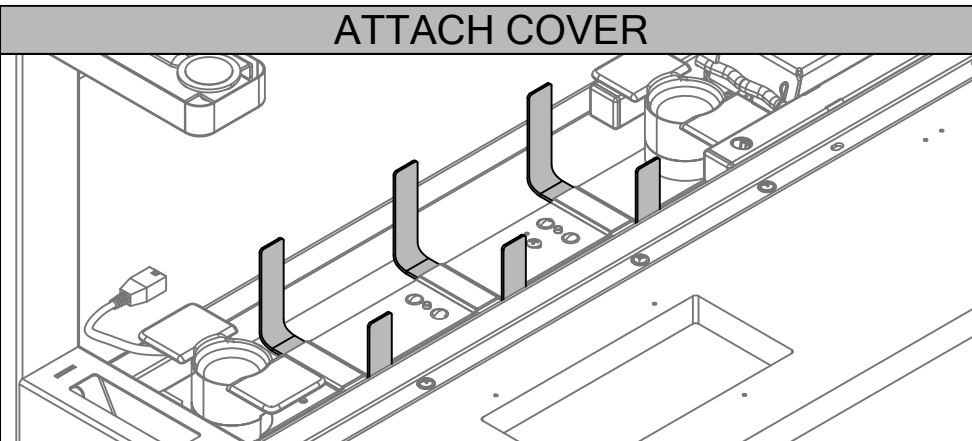


STEP 2b: Attach Mounting Bracket to Worksurface as shown.

Section: **HEIGHT ADJUSTABLE BENCH**

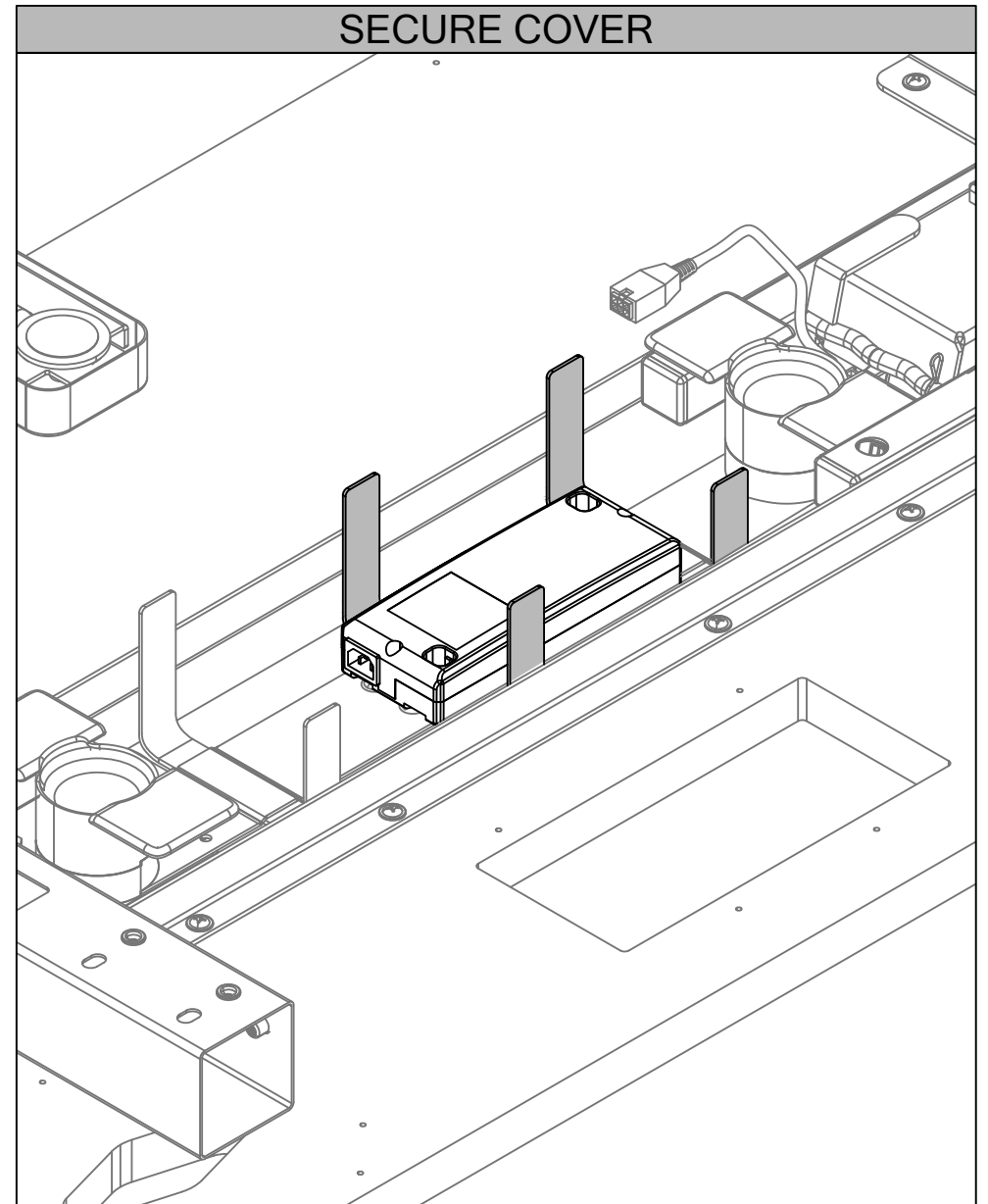
Date: Feb 2022 Page No: 4 of 5  
HABH\_317

Description: **ELECTRICS**

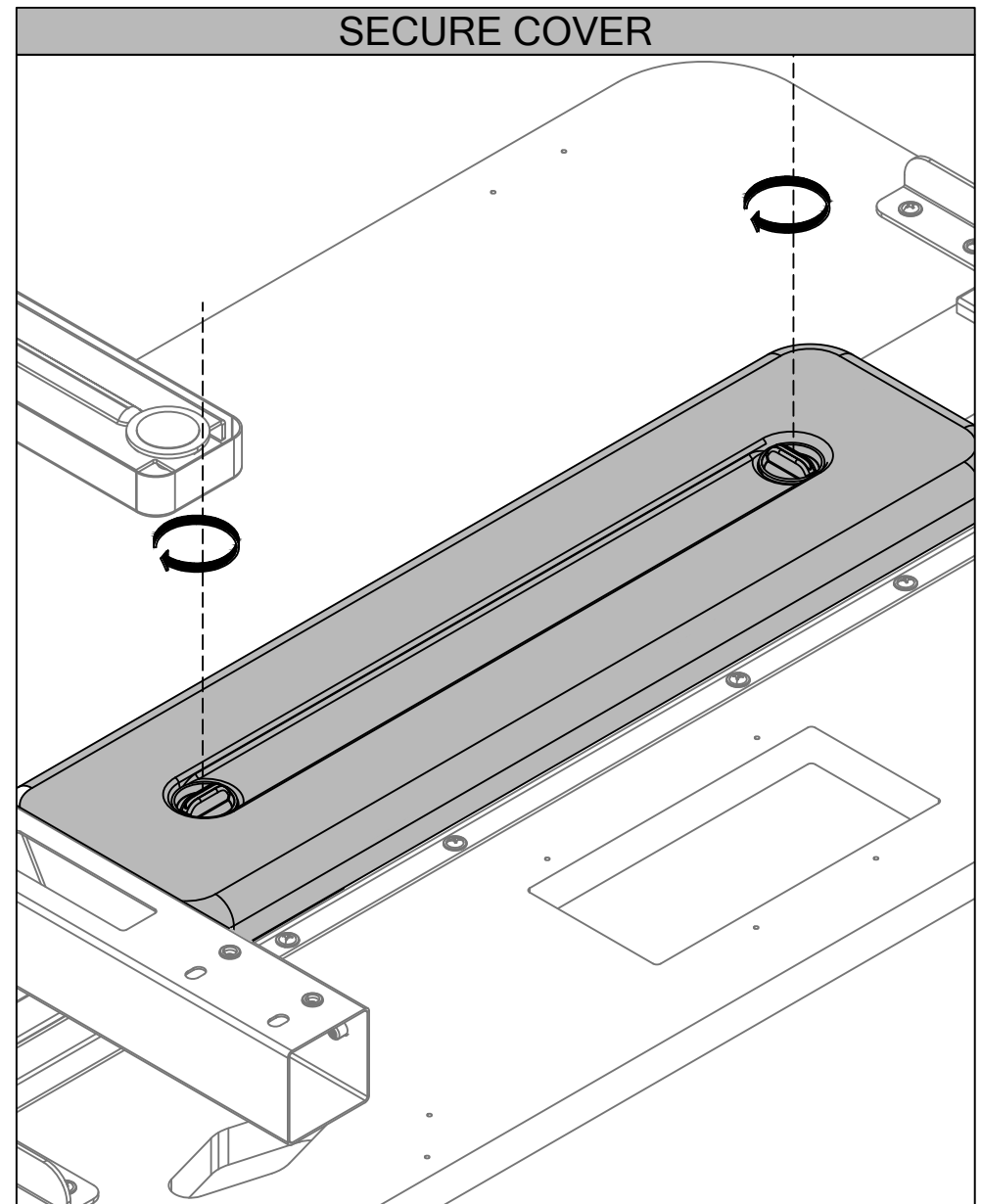
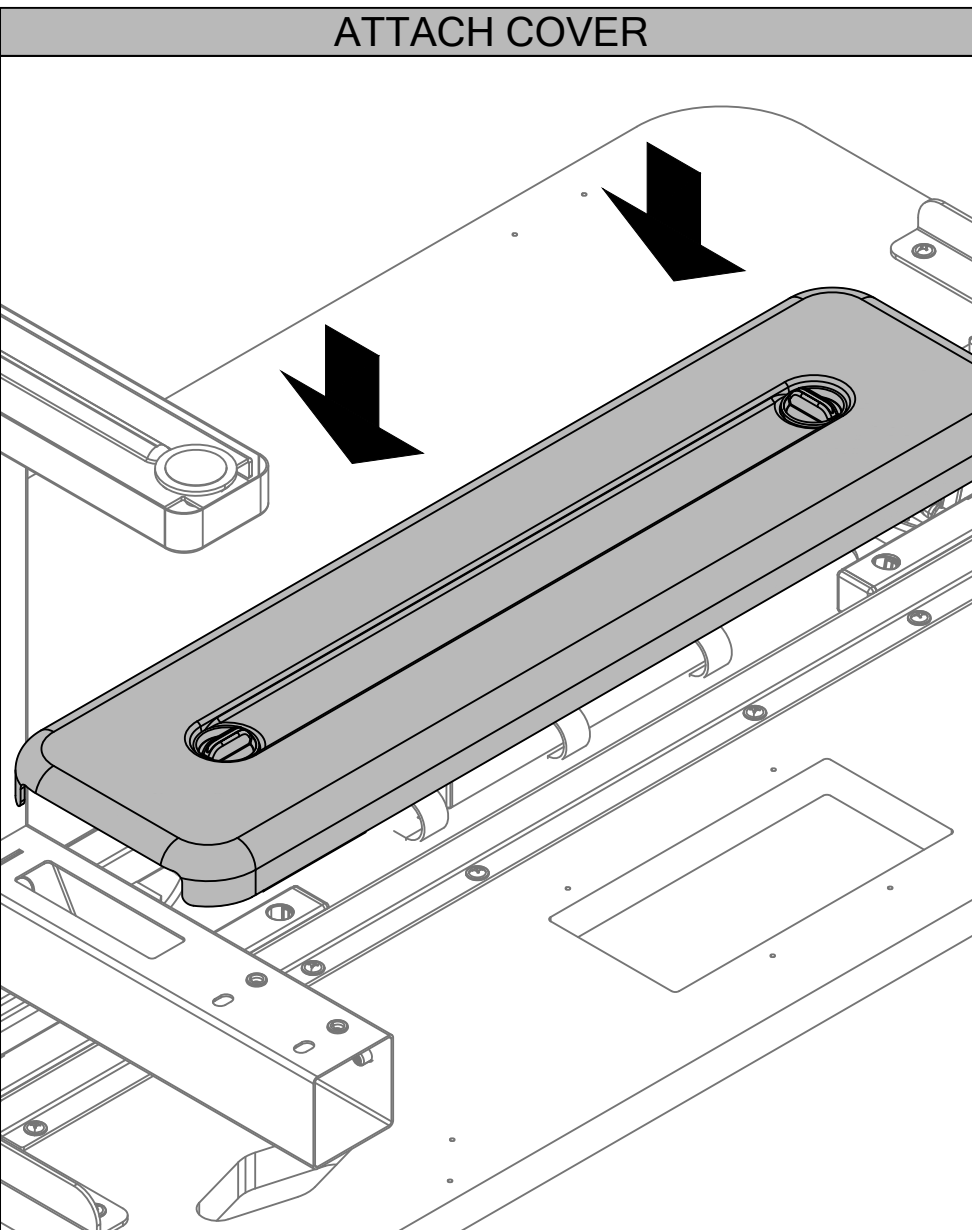


NOTE: Control Box and screws are included with the Single Sided Frame (HWBFYS) or Double Sided Frame (HWBFYD).

STEP 3a: Remove Velcro Straps. Attach the Control Box using the screws provided to the Wire mounting bracket.



STEP 3b: Secure the Control box using the Velcro straps.



STEP 4: After securing Control Box and connecting Wires, attach Felt Cover as Shown.

STEP 5: Rotate Screw Locks to secure the Cover.