

MARKERBOARD STANDARD DRAWING PACKAGE

PAGE	NAME	SCALE	REVISION
ELEVATIONS			
EL 1	ELEVATION - MARKERBOARD - DRYWALL	1" = 1'-6"	00
EL 2	ELEVATION - MARKERBOARD - ALTOS	1" = 1'-6"	00
EL 3	ELEVATION - MARKERBOARD - POD ROOM	1" = 2'-0"	00
EL 4	ELEVATION - MARKER HOLDER	1" = 1'-0"	00
EL 5	ELEVATION - MARKERBOARD ERASER	1" = 1"	00
ELEVATION 1 DRAWINGS			
A1	SECTION - FRAMELESS MARKERBOARD - VERTICAL ATTACHMENT - DRYWALL	SEE NOTES	00
A2	SECTION - FRAMELESS MARKERBOARD - LEVELER - DRYWALL	SEE NOTES	00
A3	SECTION - FRAMED MARKERBOARD - VERTICAL ATTACHMENT - DRYWALL	SEE NOTES	00
A4	SECTION - FRAMED MARKERBOARD - LEVELER - DRYWALL	SEE NOTES	00
ELEVATION 2 DRAWINGS			
B1	SECTION - FRAMELESS MARKERBOARD - VERTICAL ATTACHMENT - ALTOS	SEE NOTES	00
B2	SECTION - FRAMELESS MARKERBOARD - LEVELER - ALTOS	SEE NOTES	00
B3	SECTION - FRAMED MARKERBOARD - VERTICAL ATTACHMENT - ALTOS	SEE NOTES	00
B4	SECTION - FRAMED MARKERBOARD - LEVELER ALTOS	SEE NOTES	00
ELEVATION 3 DRAWINGS			
C1	SECTION - FRAMELESS MARKERBOARD - VERTICAL ATTACHMENT - POD ROOM	SEE NOTES	00
C2	SECTION - FRAMELESS MARKERBOARD - LEVELER - POD ROOM	SEE NOTES	00
C3	SECTION - FRAMED MARKERBOARD - VERTICAL ATTACHMENT - POD ROOM	SEE NOTES	00
C4	SECTION - FRAMED MARKERBOARD - LEVELER - POD ROOM	SEE NOTES	00
ELEVATION 4 DRAWINGS			
D1	SECTION - MARKER HOLDER	SEE NOTES	00
ELEVATION 5 DRAWINGS			
E1	SIDE VIEW - MARKERBOARD ERASER	1" = 1"	00
RH	REVISION HISTORY	N.T.S.	

INDEX

N.T.S

MARKERBOARD ARCHITECTURAL PACKAGE

SEPT 19, 2023

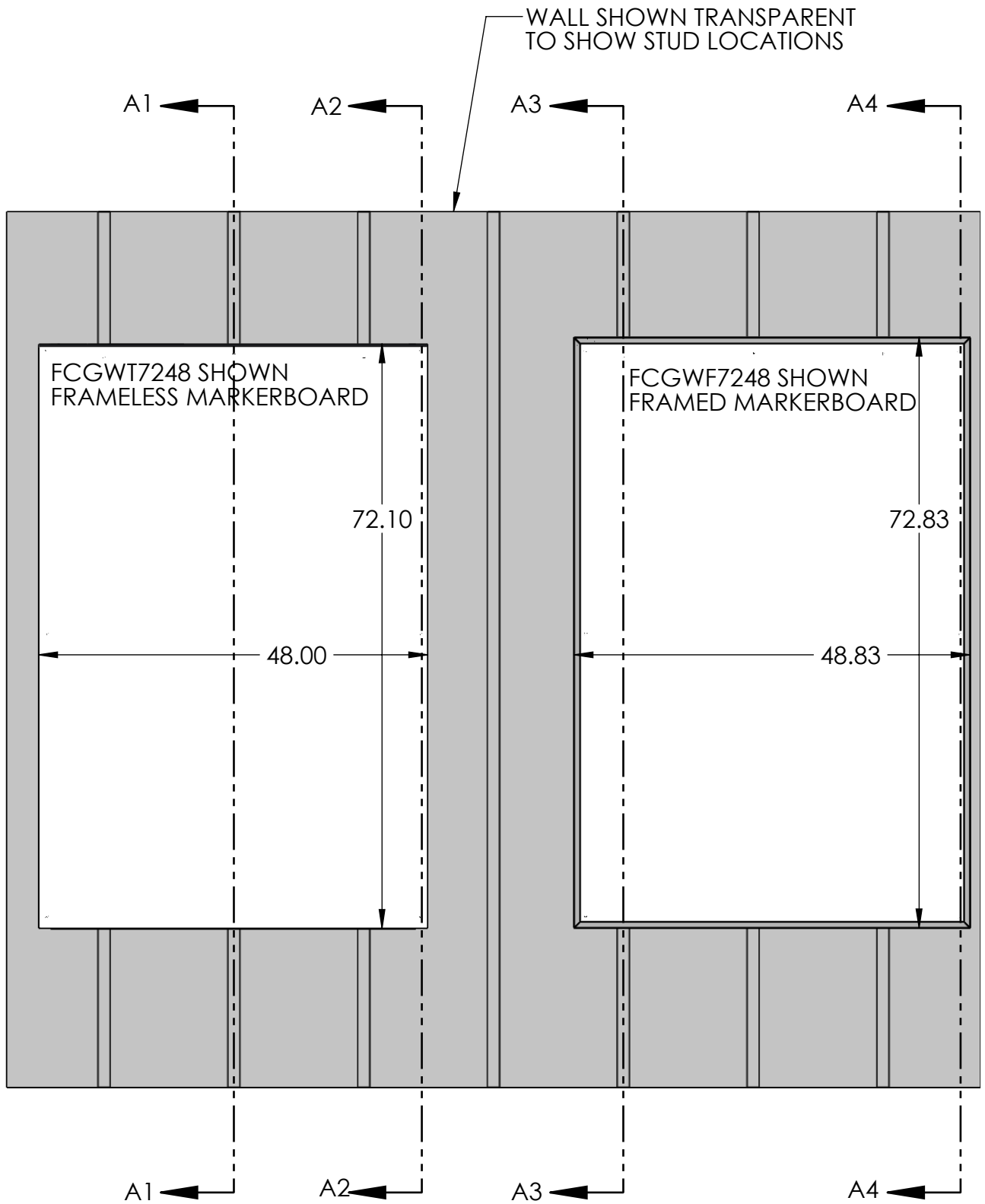
Rev 00

INDEX01

This drawing is the property of Teknion Limited and is subject to return upon demand. It must not be copied or reproduced in any manner, nor submitted to any outside parties for examination without Teknion consent. This drawing must not be scaled, or used for construction purposes.

www.teknion.com

teknion



ELEVATION - MARKERBOARD - DRYWALL

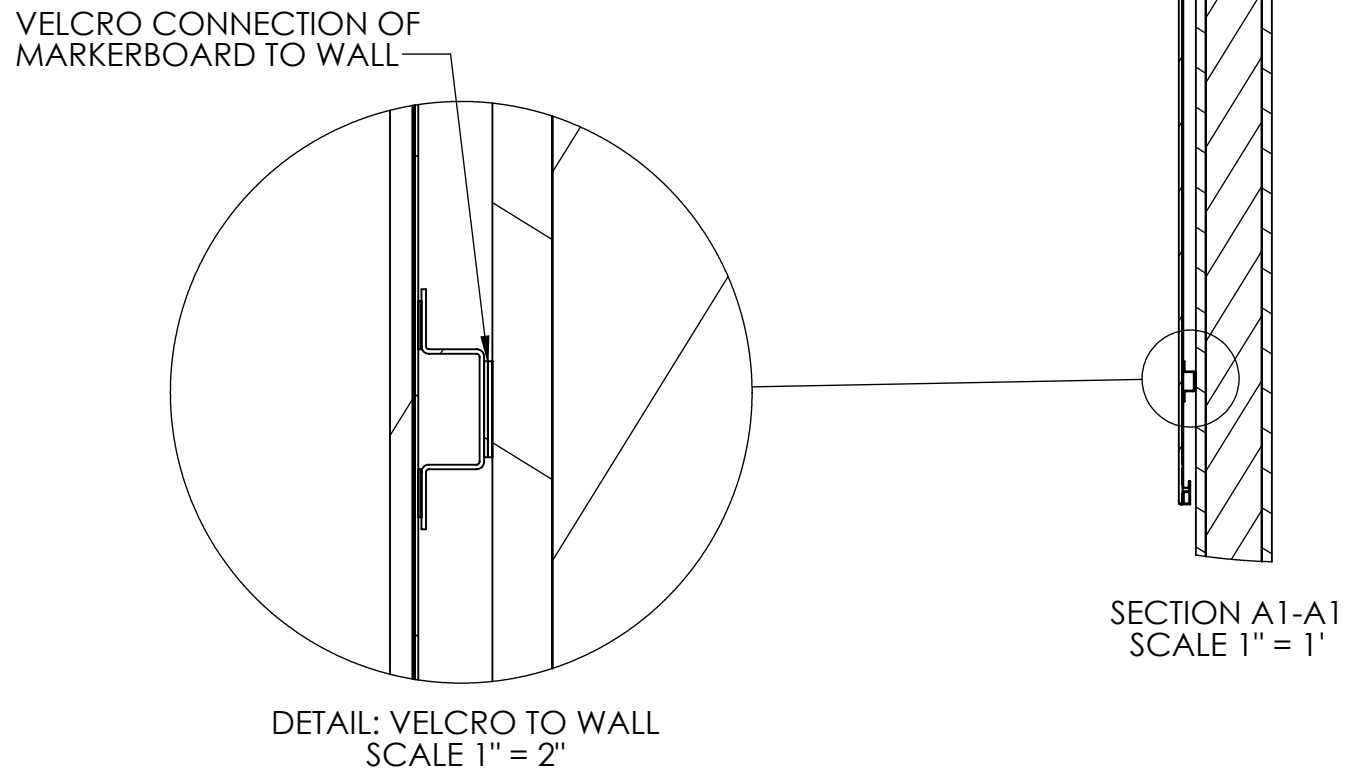
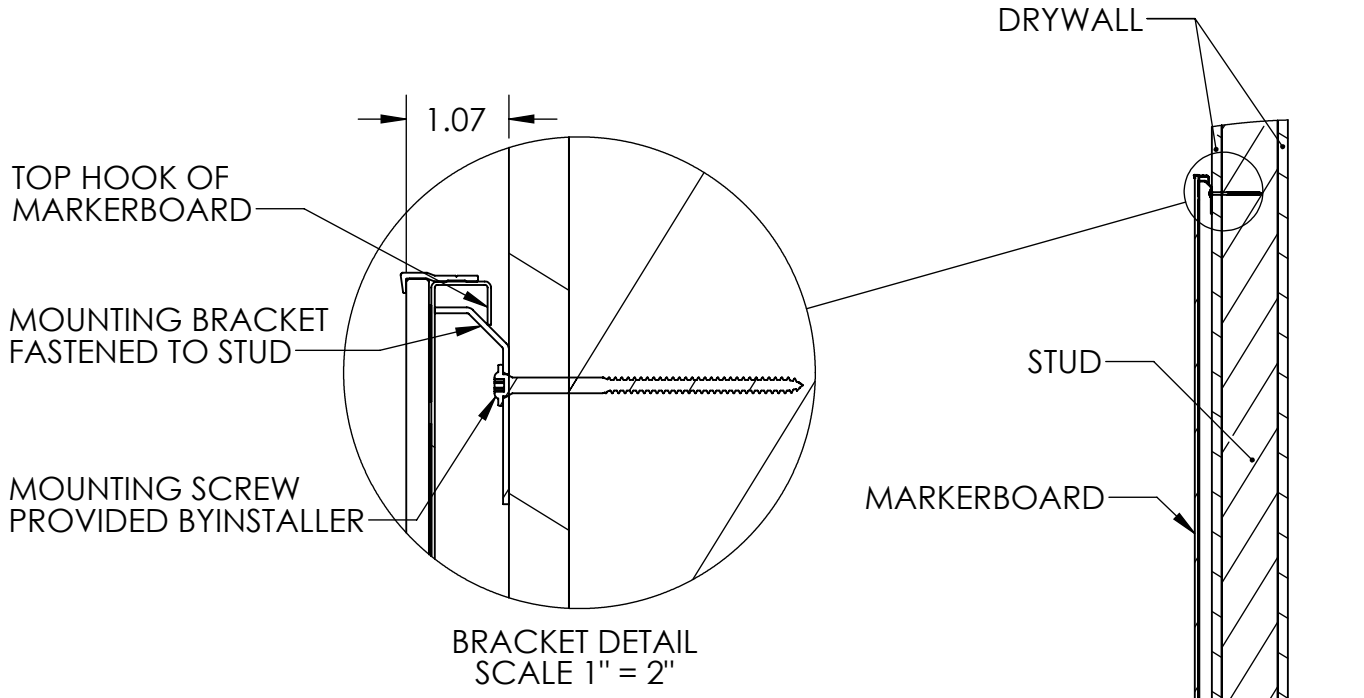
1"=1'-6"

ARCH. COMP. MARKERBOARD PACKAGE

SEPT 19, 2023

REV 00

EL1



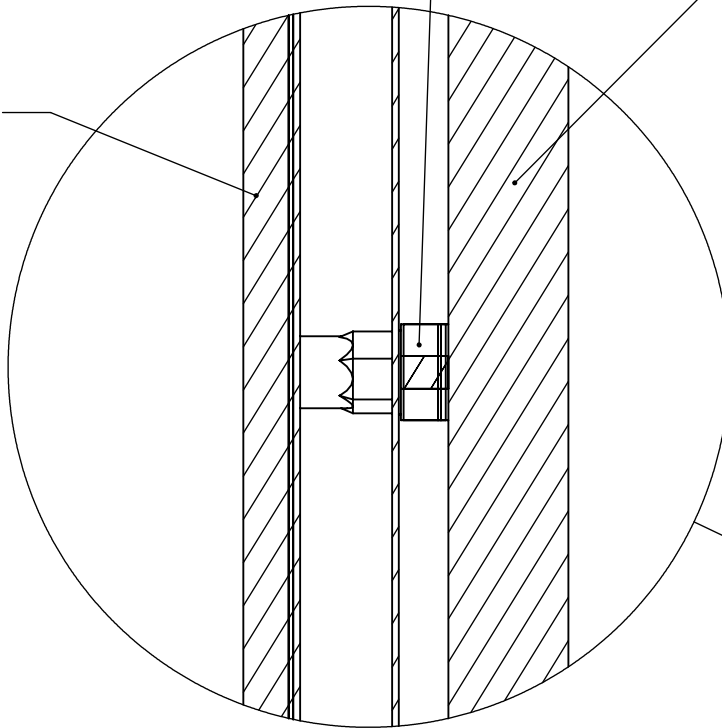
FCGWT7248 SHOWN
FRAMELESS MARKERBOARD

LEVELER ADJUSTED BY HAND
UNTIL FLUSH AGAINST WALL

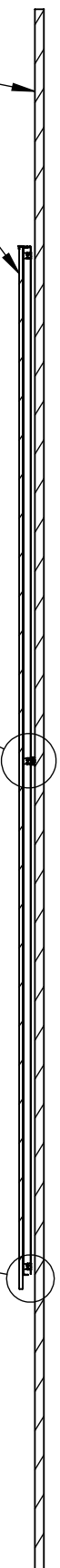
DRYWALL

MARKERBOARD

MARKERBOARD



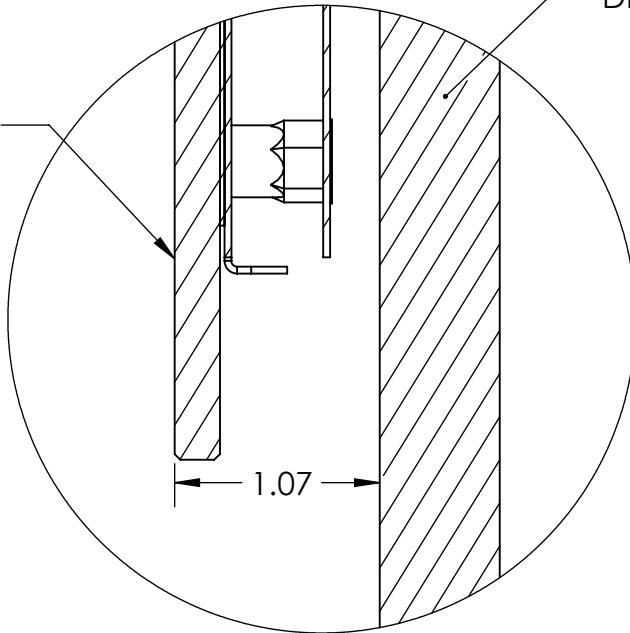
LEVELER DETAIL
SCALE 1" = 1"



SECTION A2-A2
SCALE 1" = 1'

MARKERBOARD

DRYWALL



DETAIL
SCALE 1" = 1"

NOTE: LEVELER ONLY ON 72"H MODELS

FCGWT7248 SHOWN
FRAMELESS MARKERBOARD

SECTION - FRAMELESS MARKERBOARD - LEVELER - DRYWALL

SEE SCALE NOTES ON DWG

ARCH. COMP. MARKERBOARD PACKAGE

SEPT 19, 2023

REV 00

A2

This drawing is the property of Teknion Limited and is subject to return upon demand. It must not be copied or reproduced in any manner, nor submitted to any outside parties for examination without Teknion consent. This drawing must not be scaled, or used for construction purposes.

www.teknion.com

teknion

TOP HOOK OF MARKERBOARD

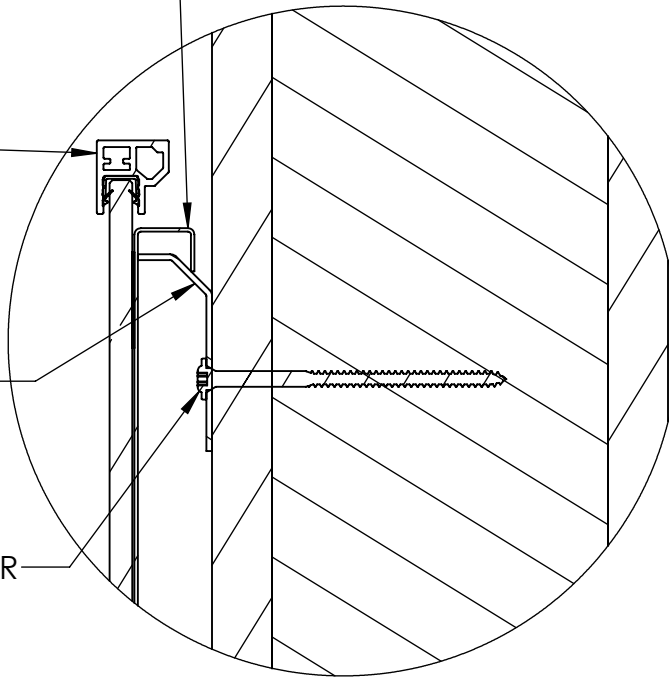
MARKERBOARD
FRAME

MOUNTING BRACKET
FASTENED TO STUD

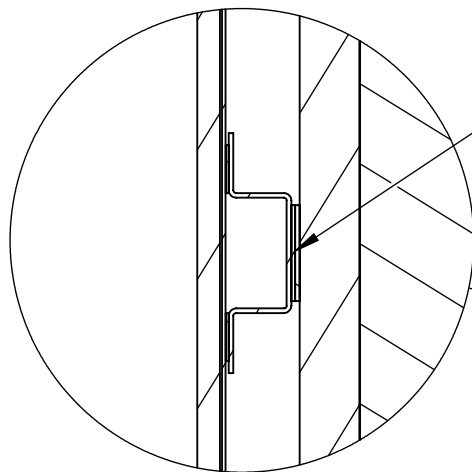
MOUNTING SCREW
PROVIDED BY INSTALLER

DRYWALL

STUD

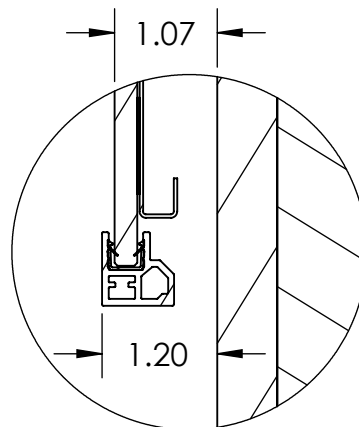


DETAIL: BRACKET
SCALE 1" = 2"

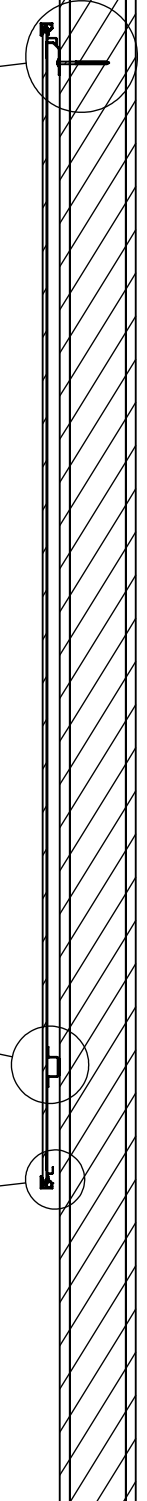


VELCRO CONNECTION OF
MARKERBOARD TO WALL

DETAIL: VELCRO TO WALL
SCALE 1" = 2"



DETAIL
SCALE 1" = 2"



SECTION A3-A3
SCALE 1" = 1'

FCGWF3648 SHOWN
FRAMED MARKERBOARD

SECTION - FRAMED MARKERBOARD - VERTICAL ATTACHMENT - DRYWALL

SEE SCALE NOTES ON DWG

ARCH. COMP. MARKERBOARD PACKAGE

SEPT 19, 2023

REV 00

A3

This drawing is the property of Teknion Limited and is subject to return upon demand. It must not be copied or reproduced in any manner, nor submitted to any outside parties for examination without Teknion consent. This drawing must not be scaled, or used for construction purposes.

www.teknion.com

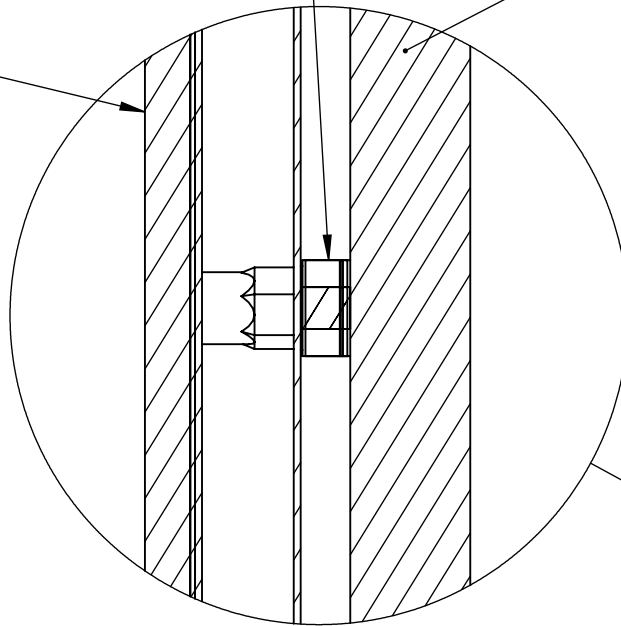
teknion

LEVELER ADJUSTED BY HAND
UNTIL FLUSH AGAINST WALL

MARKERBOARD

DRYWALL

MARKERBOARD

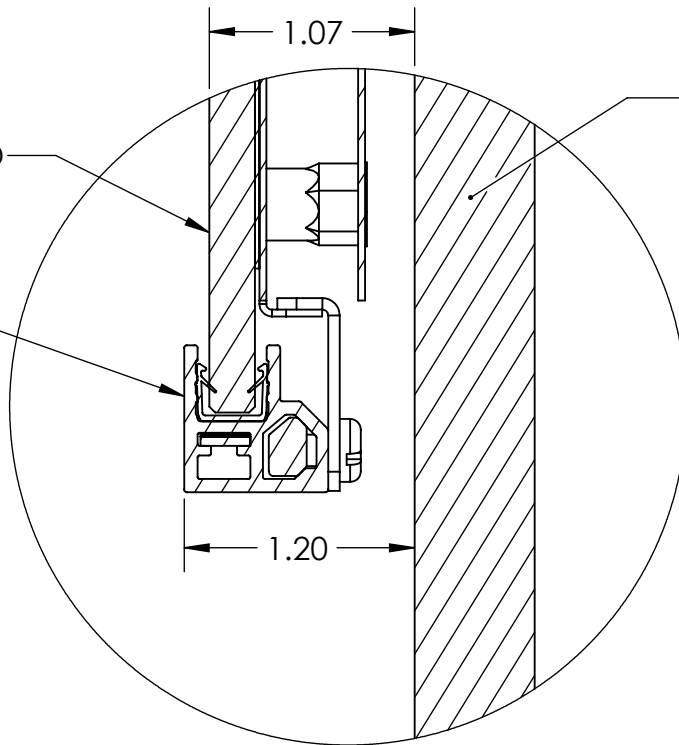


LEVELER DETAIL
SCALE 1" = 1"

MARKERBOARD

FRAME

DRYWALL



DETAIL
SCALE 1" = 1"

NOTE: LEVELER ONLY ON 72"H MODELS

FCGWF7248 SHOWN
FRAMED MARKERBOARD

SECTION A4-A4
SCALE 1" = 1'

SECTION - FRAMED MARKERBOARD - LEVELER - DRYWALL

SEE SCALE NOTES ON DWG

ARCH. COMP. MARKERBOARD PACKAGE

SEPT 19, 2023

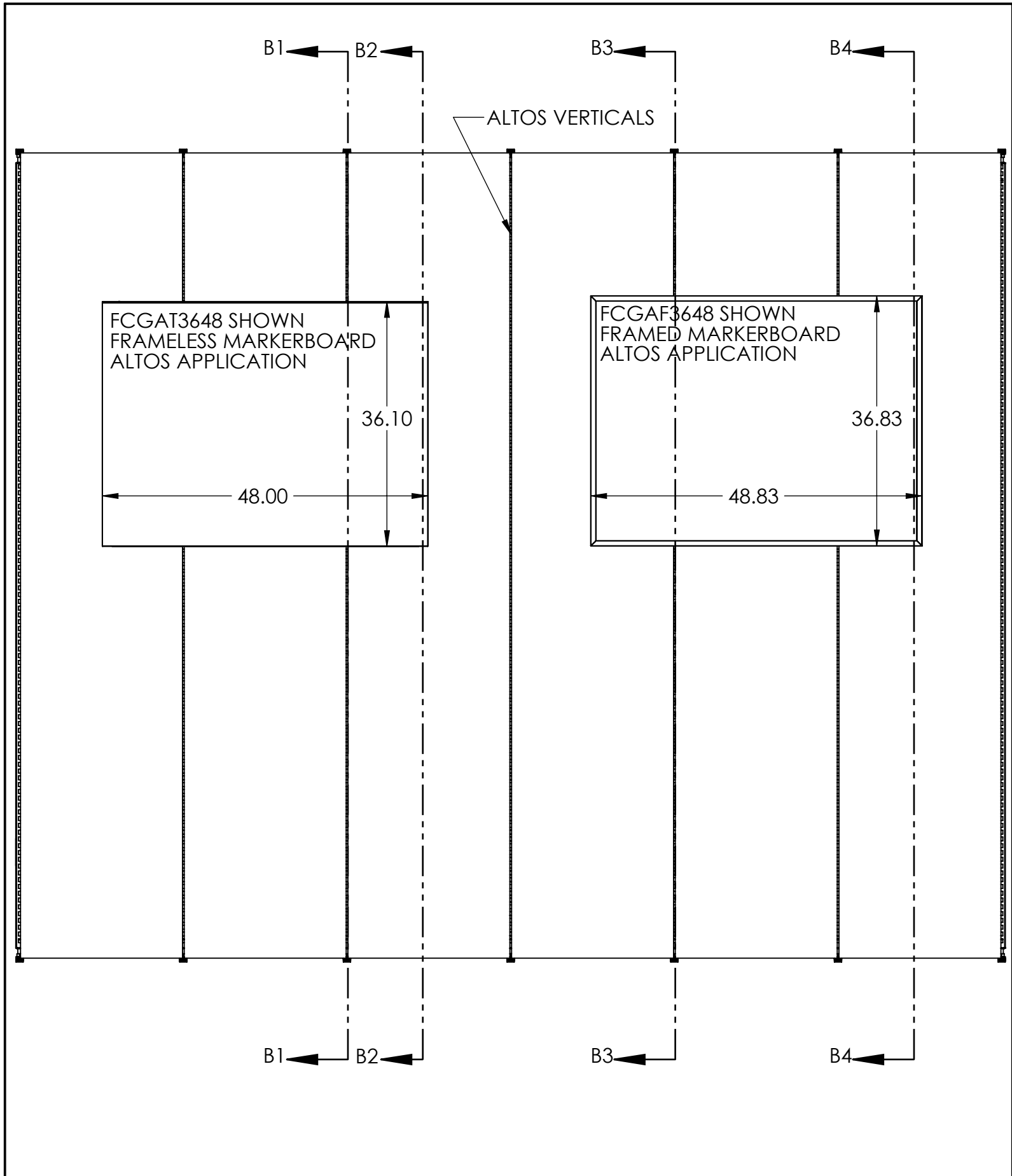
REV 00

A4

This drawing is the property of Teknion Limited and is subject to return upon demand. It must not be copied or reproduced in any manner, nor submitted to any outside parties for examination without Teknion consent. This drawing must not be scaled, or used for construction purposes.

www.teknion.com

teknion



ELEVATION - MARKERBOARD - ALTOS

1"=1'-6"

ARCH. COMP. MARKERBOARD PACKAGE

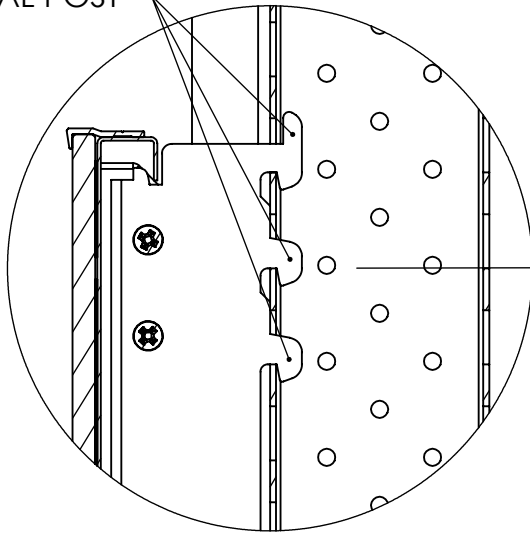
SEPT 19, 2023

REV 00

EL2

This drawing is the property of Teknion Limited and is subject to return upon demand. It must not be copied or reproduced in any manner, nor submitted to any outside parties for examination without Teknion consent. This drawing must not be scaled, or used for construction purposes.

HOOKS ENGAGE IN
SLOTS IN VERTICAL POST

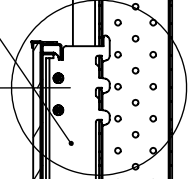


TOP BRACKET DETAIL
SCALE 1" = 2"

ALTOS VERTICAL

ALTOS FASCIA

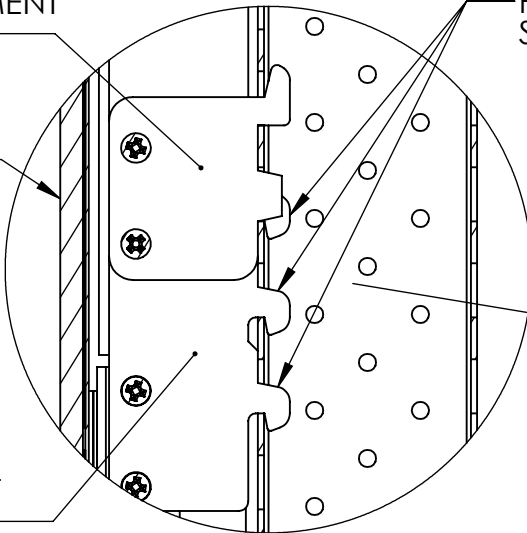
MARKERBOARD
VERTICAL SUPPORT



ANTI-DISENGAGEMENT
SECURITY TAB

MARKERBOARD

VERTICAL SUPPORT
BRACKET



BOTTOM BRACKET DETAIL
SCALE 1" = 2"

HOOKS ENGAGE IN
SLOTS IN VERTICAL POST

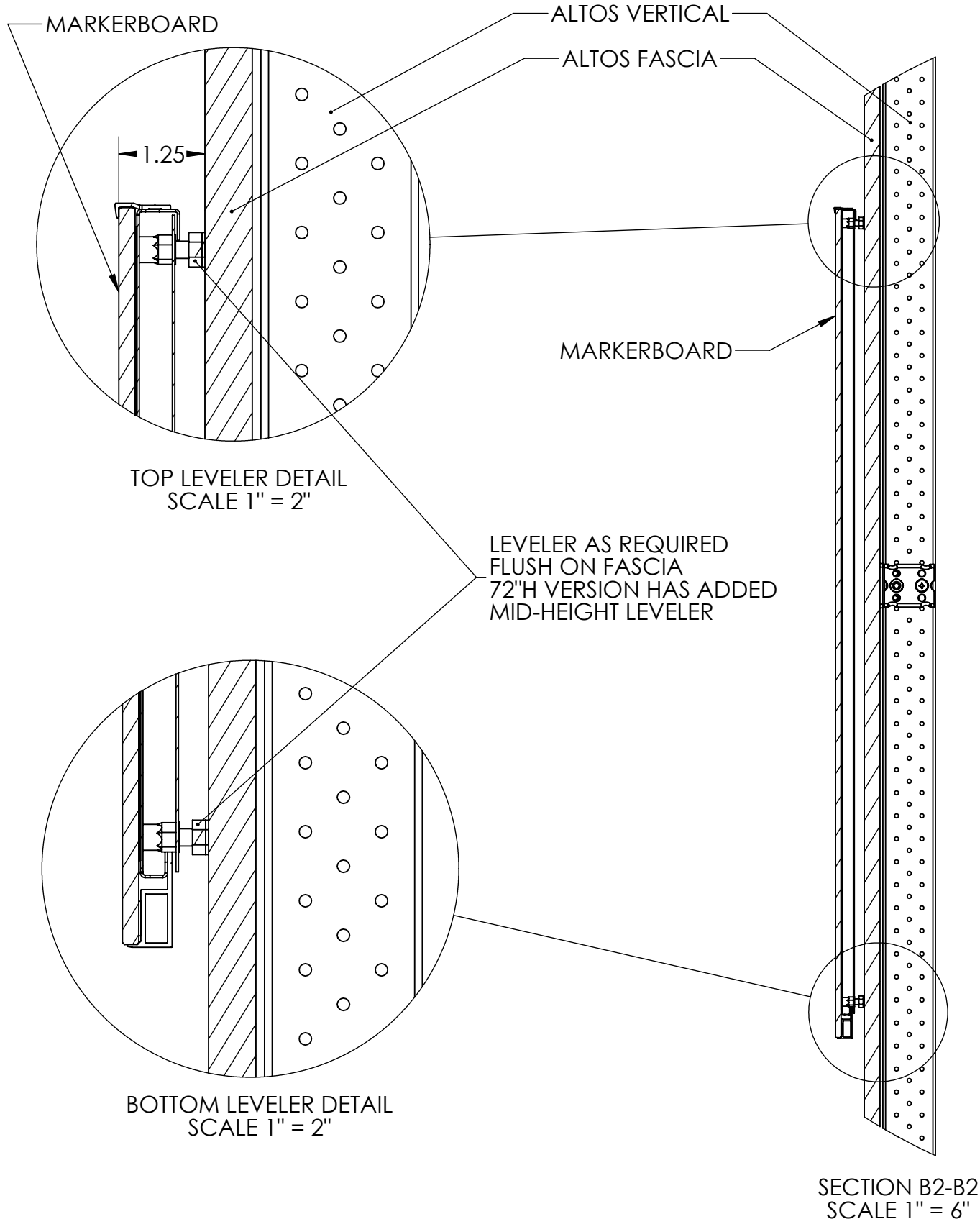
1.25
.53

SECTION B1-B1
SCALE 1" = 6"

FCGAT3648 SHOWN
FRAMELESS MARKERBOARD
ALTOS APPLICATION

SECTION - FRAMELESS MARKERBOARD VERTICAL ATTACHMENT - ALTOS

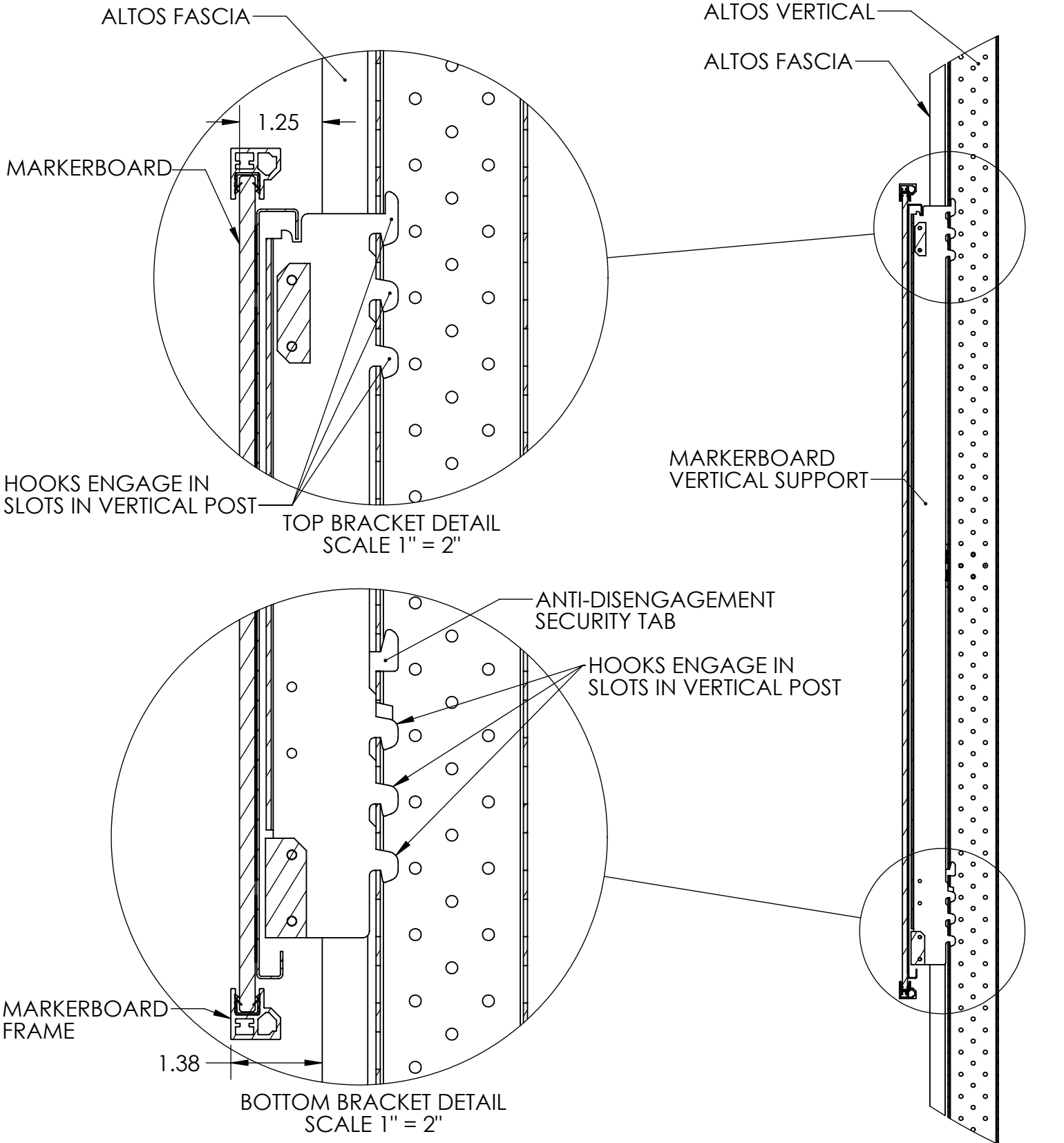
SEE SCALE NOTES ON DWG



FCGAT3648 SHOWN
FRAMELESS MARKERBOARD
ALTOS APPLICATION

SECTION - FRAMELESS MARKERBOARD - LEVELER - ALTOS

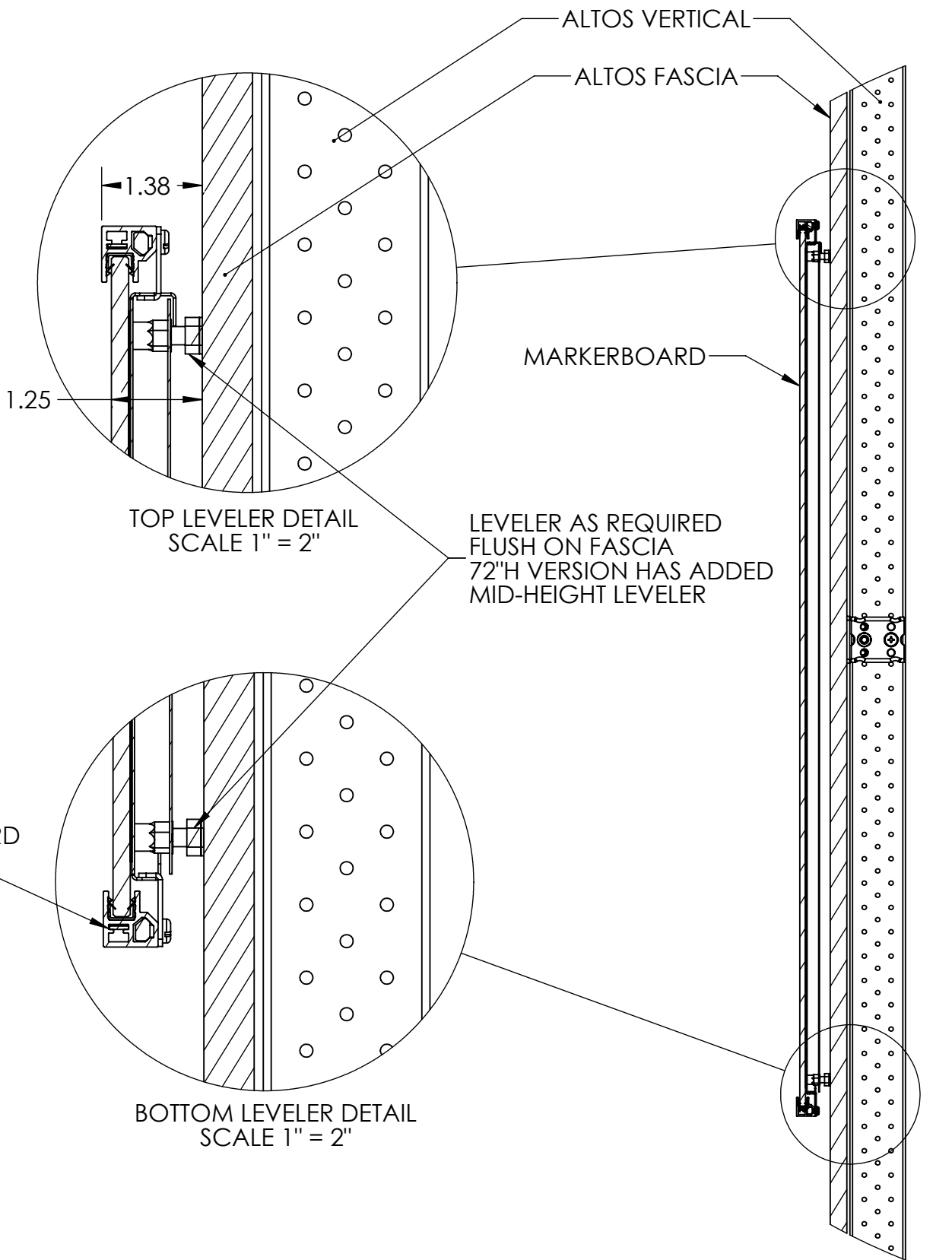
SEE SCALE NOTES ON DWG



FCGAF3648 SHOWN
FRAMED MARKERBOARD
ALTOS APPLICATION

SECTION - FRAMED MARKERBOARD - VERTICAL ATTACHMENT - ALTOS

SEE SCALE NOTES ON DWG

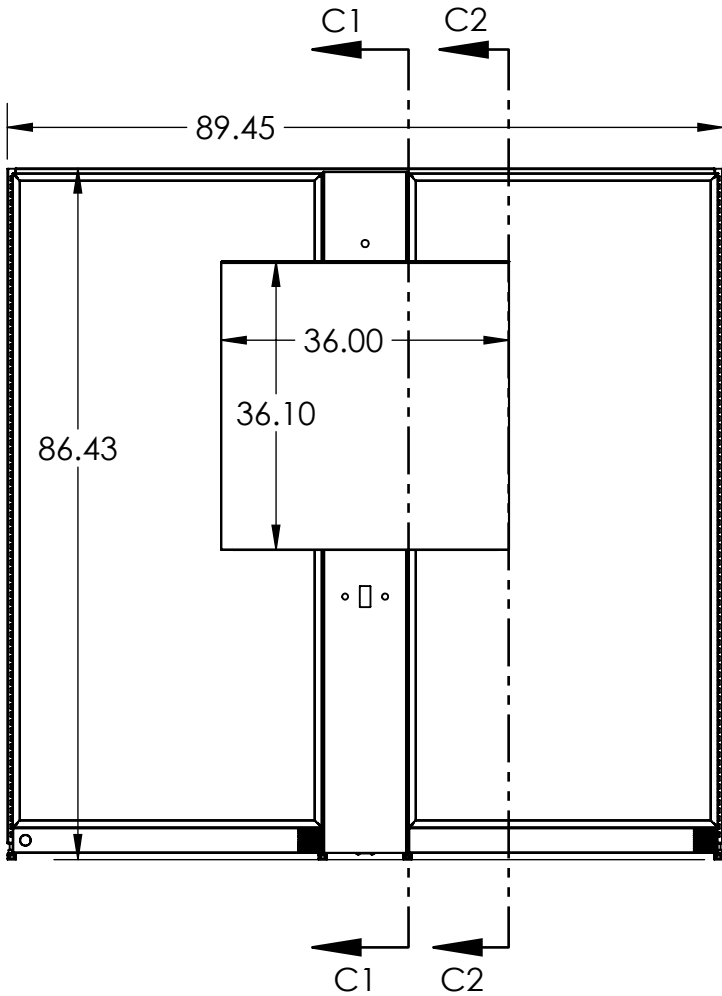


FCGAF3648 SHOWN
 FRAMED MARKERBOARD
 ALTOS APPLICATION

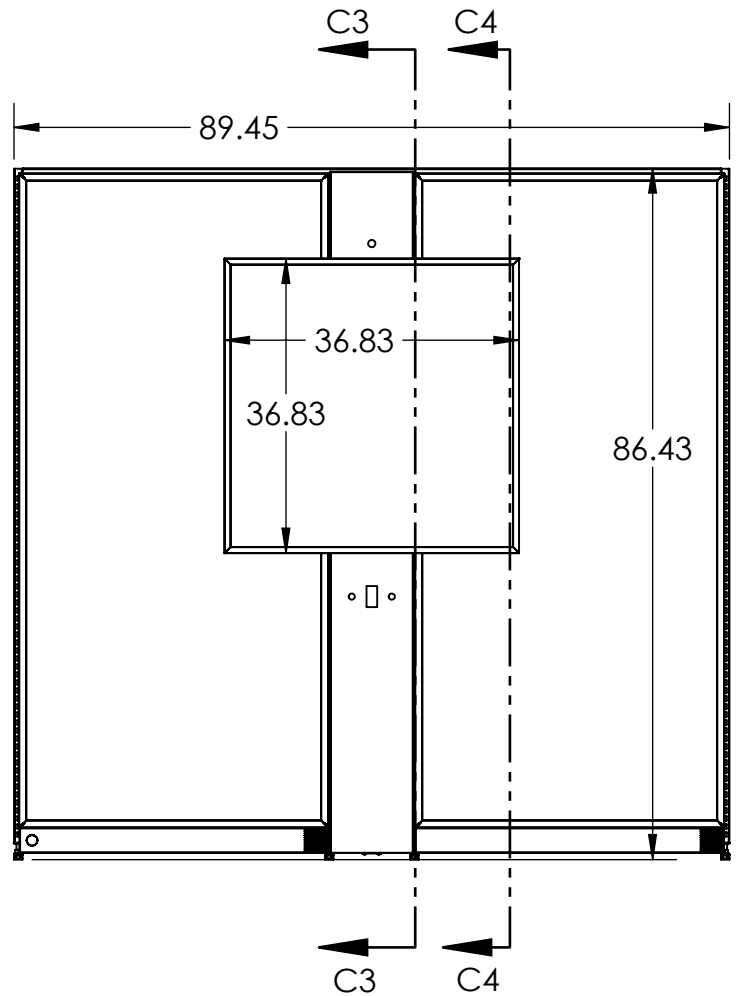
SECTION B4-B4
 SCALE 1" = 6"

SECTION - FRAMED MARKERBOARD - LEVELER - ALTOS

SEE SCALE NOTES ON DWG



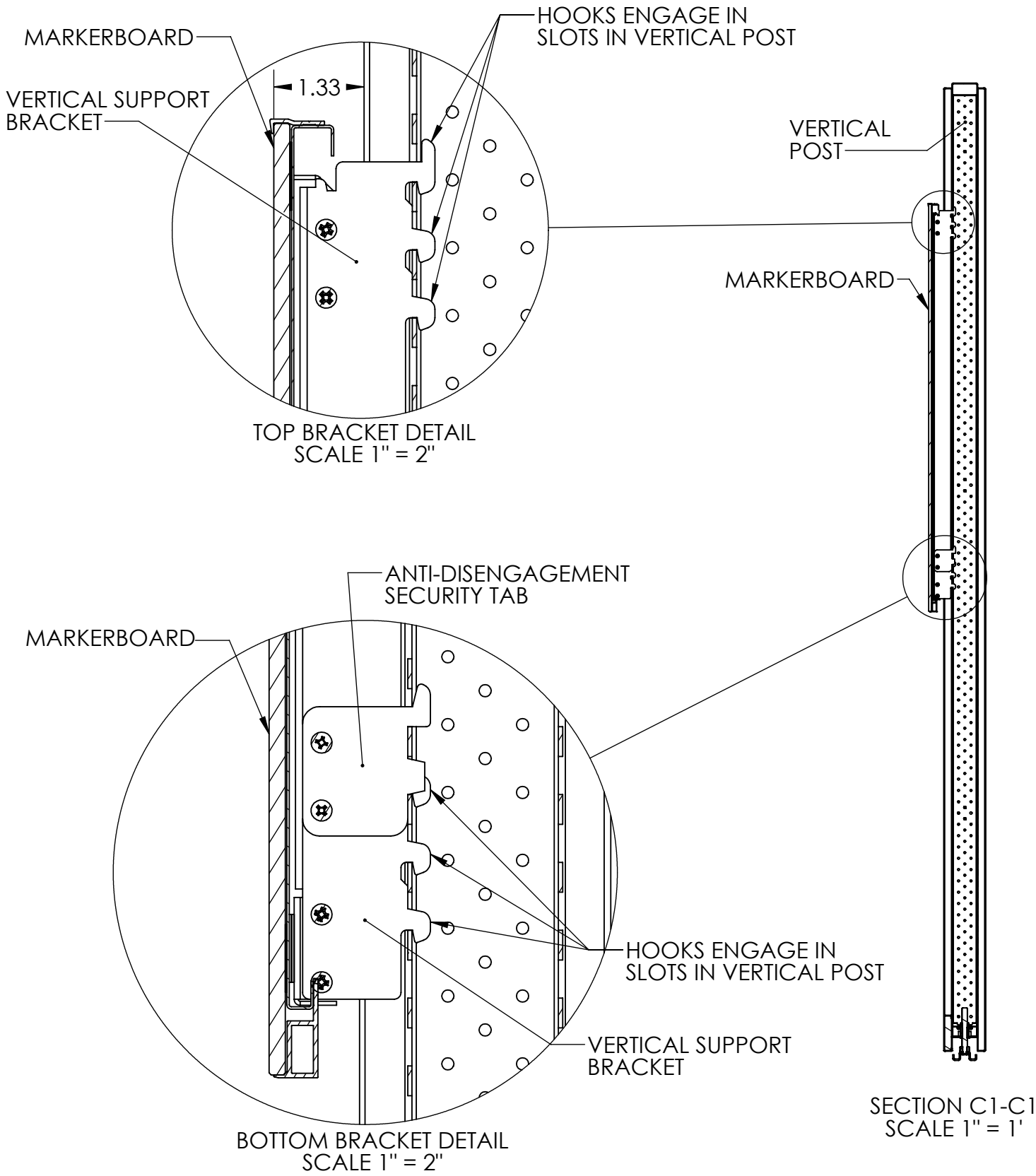
FCGPT3636 SHOWN
FRAMELESS MARKERBOARD
POD APPLICATION



FCGPF3636 SHOWN
FRAMED MARKERBOARD
POD APPLICATION

ELEVATION - MARKERBOARD - POD ROOM

1" = 2'

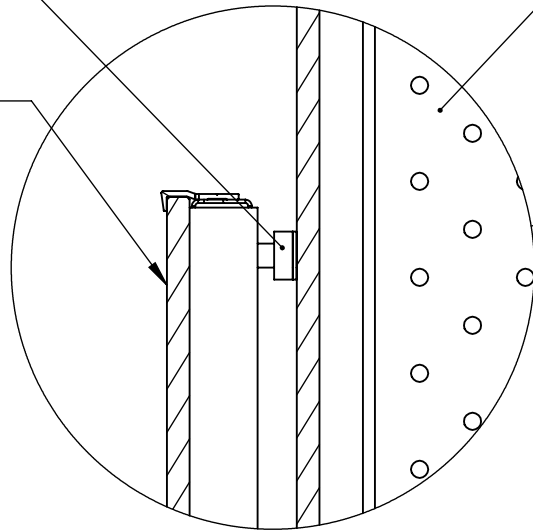


SECTION - FRAMELESS MARKERBOARD - VERTICAL ATTACHMENT - POD ROOM

SEE SCALE NOTES ON DWG

LEVELER FLUSH ON FACE OF
POD WALL - ONE LEVELER ON
EACH CORNER OF
MARKERBOARD

MARKERBOARD



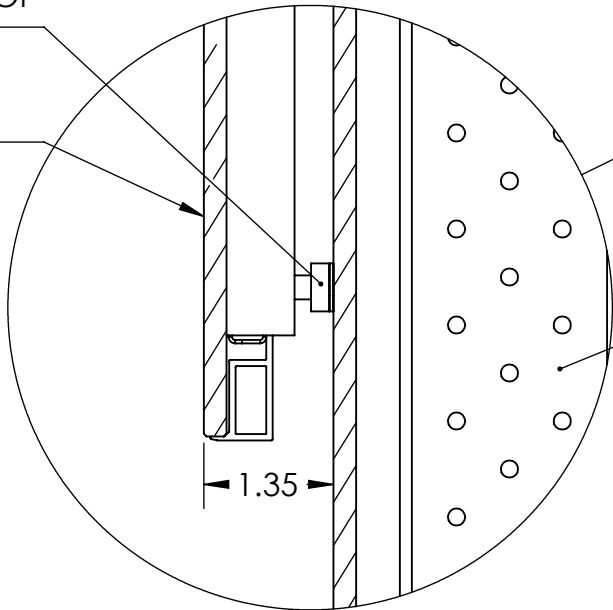
TOP LEVELER DETAIL
SCALE 1" = 2"

VERTICAL
POST

MARKERBOARD

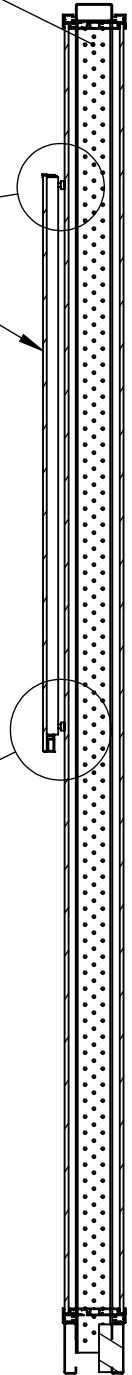
LEVELER FLUSH ON FACE OF
POD WALL - ONE LEVELER ON
EACH CORNER OF
MARKERBOARD

MARKERBOARD



BOTTOM LEVELER DETAIL
SCALE 1" = 2"

VERTICAL POST



SECTION C2-C2
SCALE 1" = 1'

SECTION - FRAMELESS MARKERBOARD - LEVELER - POD ROOM

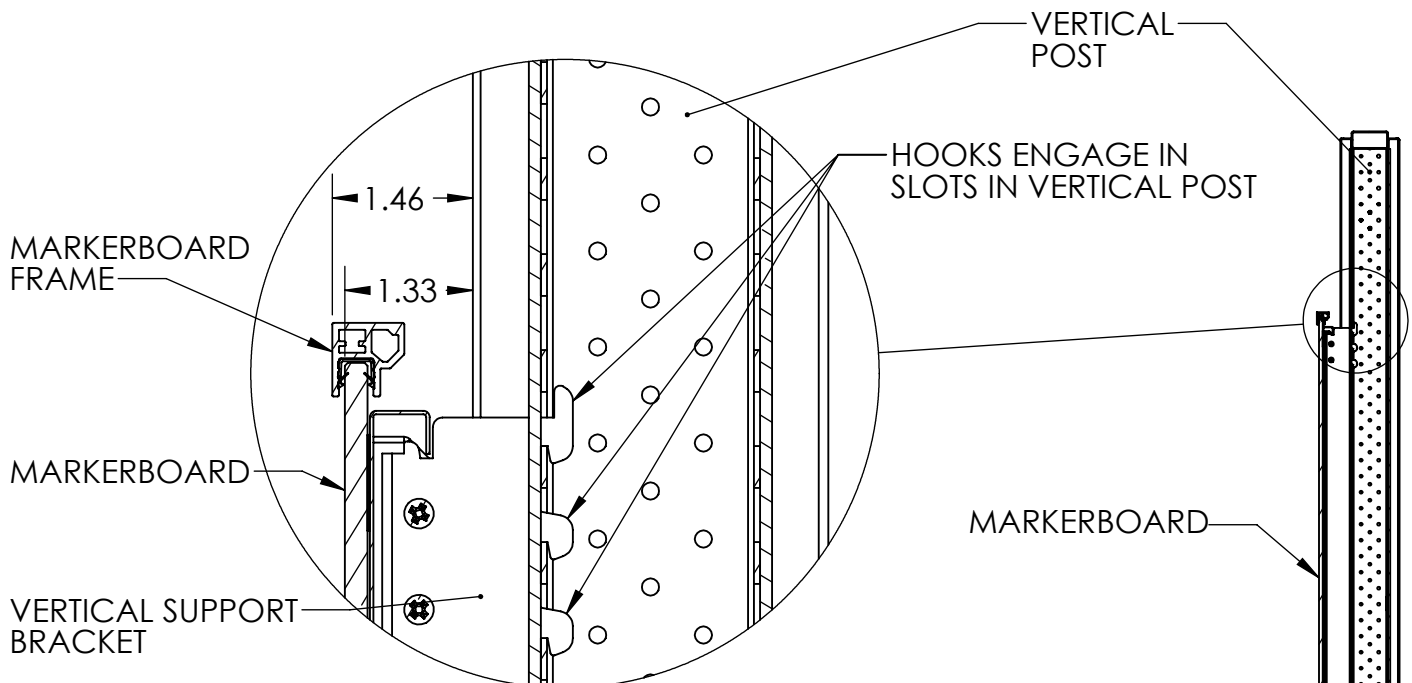
SEE SCALE NOTES ON DWG

ARCH. COMP. MARKERBOARD PACKAGE

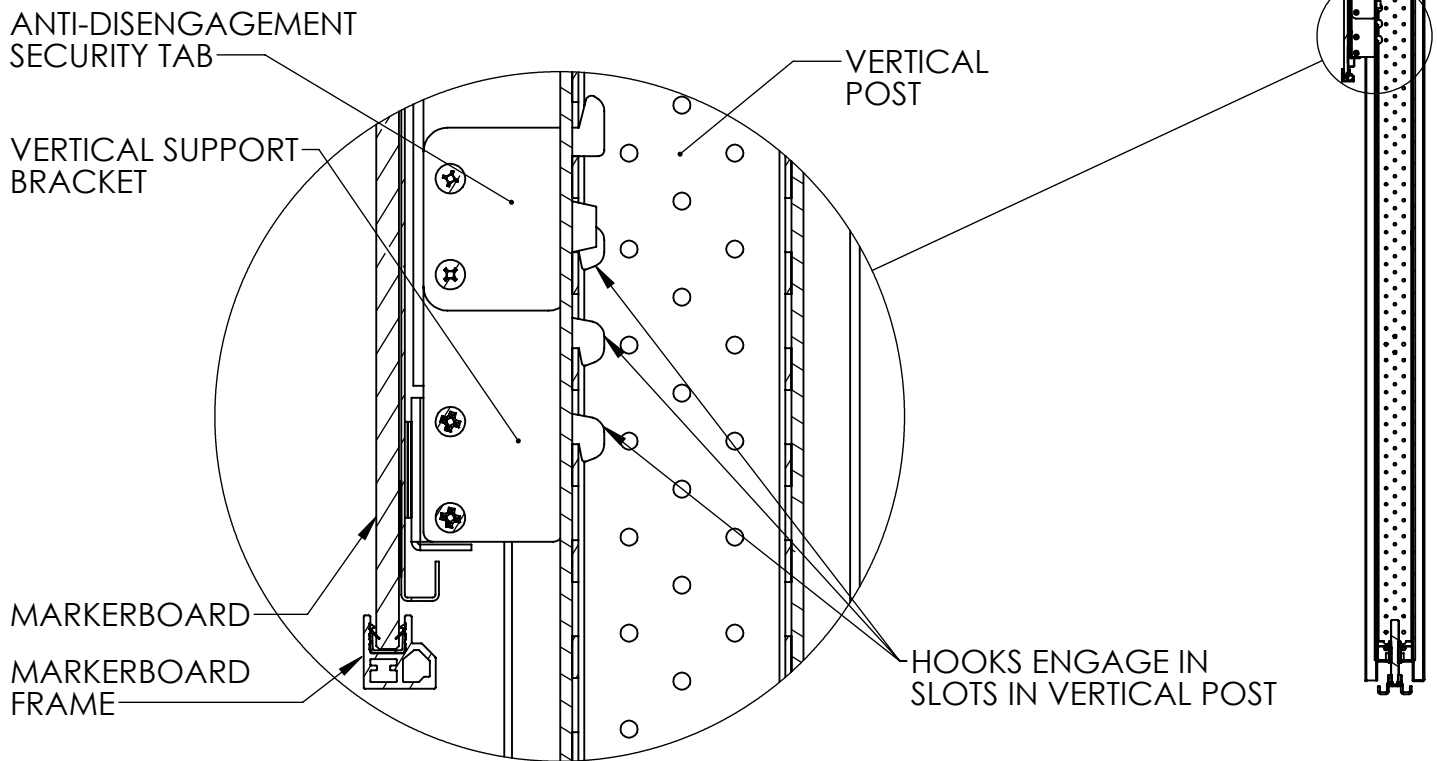
SEPT 19, 2023

REV 00

C2



TOP BRACKET DETAIL
SCALE 1" = 2"



BOTTOM BRACKET DETAIL
SCALE 1" = 2"

SECTION C3-C3
SCALE 1" = 1'

SECTION - FRAMED MARKERBOARD - VERTICAL ATTACHMENT - POD ROOM

SEE SCALE NOTES ON DWG

LEVELER FLUSH ON FACE OF
POD WALL - ONE LEVELER ON
EACH CORNER OF
MARKERBOARD

MARKERBOARD
FRAME

MARKERBOARD

1.35

TOP LEVELER DETAIL
SCALE 1" = 2"

VERTICAL
POST

MARKERBOARD

LEVELER FLUSH ON FACE OF
POD WALL - ONE LEVELER ON
EACH CORNER OF
MARKERBOARD

MARKERBOARD

MARKERBOARD
FRAME

BOTTOM LEVELER DETAIL
SCALE 1" = 2"

SECTION C4-C4
SCALE 1" = 1'

SECTION - FRAMED MARKERBOARD - LEVELER - POD ROOM

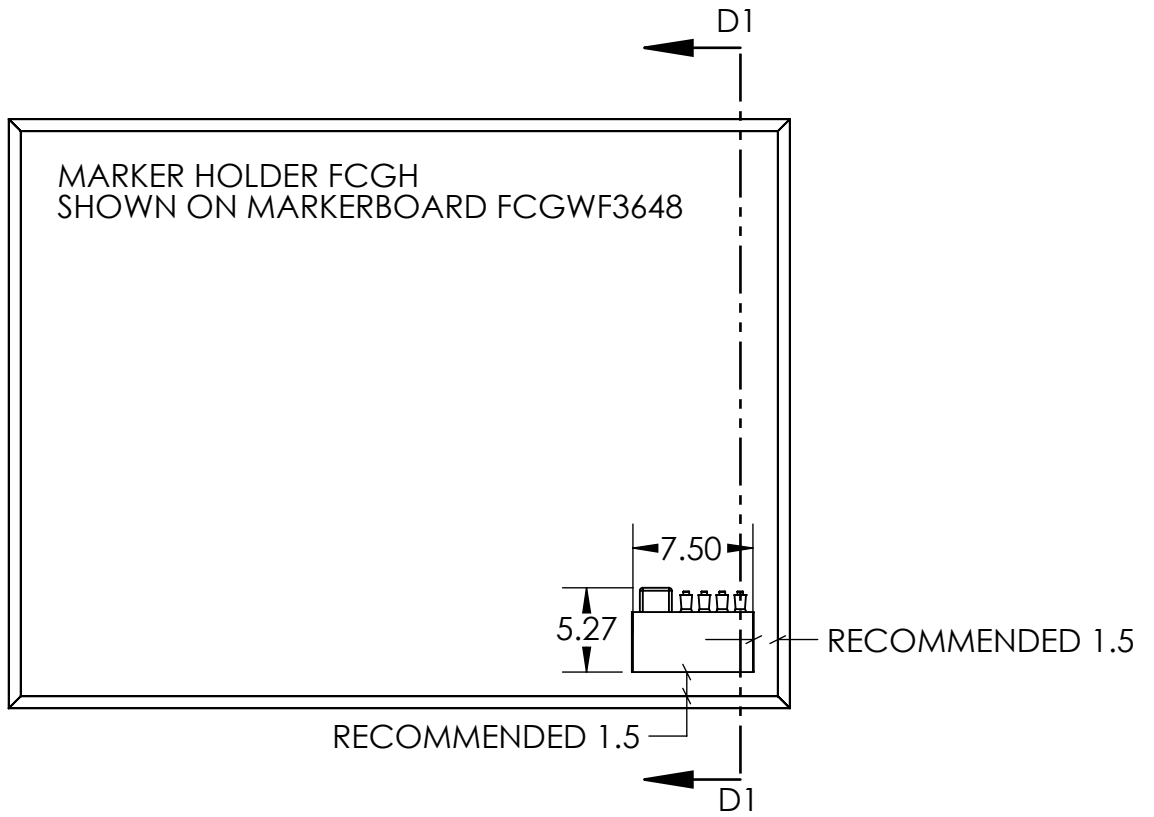
SEE SCALE NOTES ON DWG

ARCH. COMP. MARKERBOARD PACKAGE

SEPT 19, 2023

REV 00

C4



ELEVATION - MARKER HOLDER

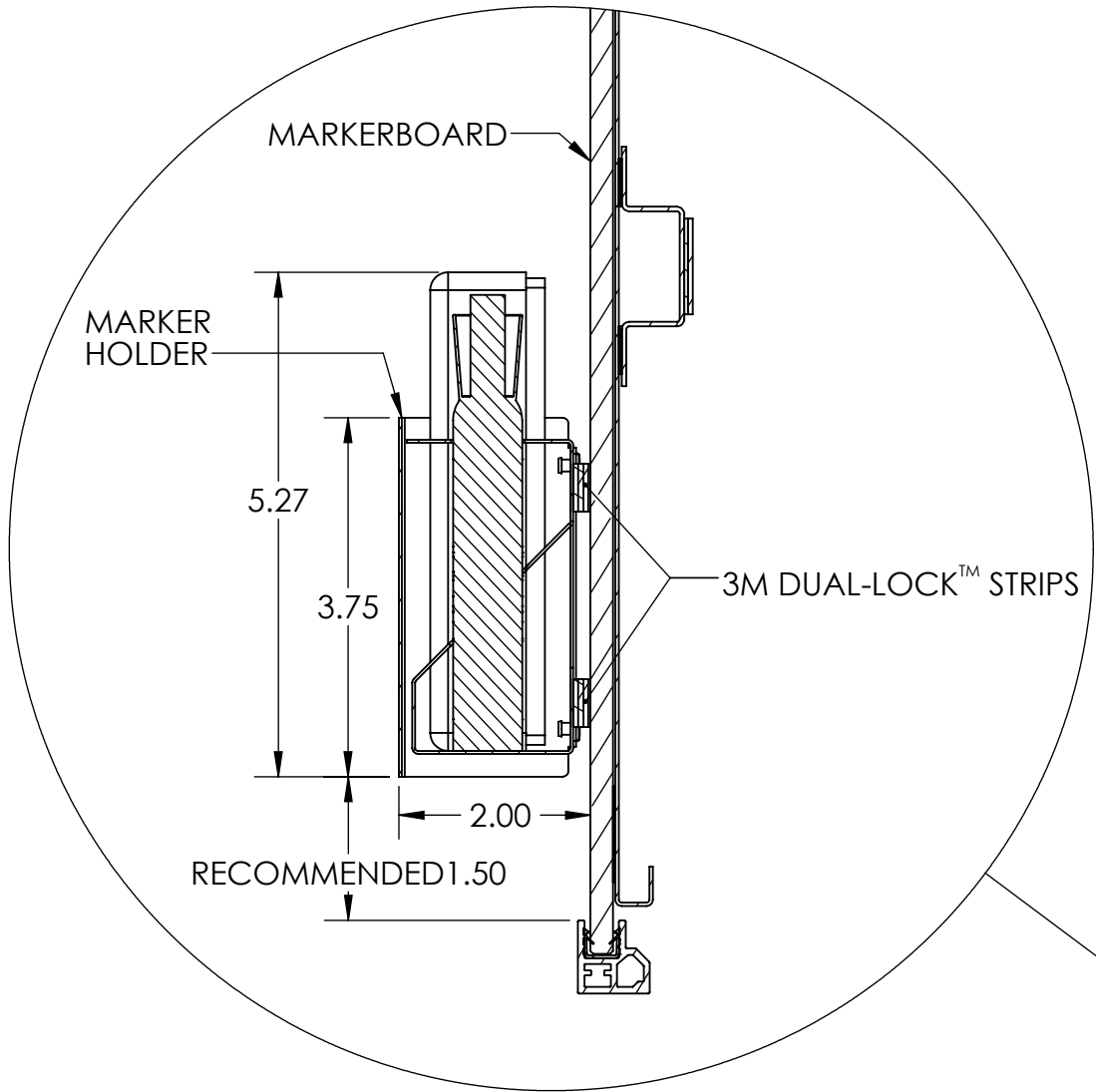
1" = 1'

ARCH. COMP. MARKERBOARD PACKAGE

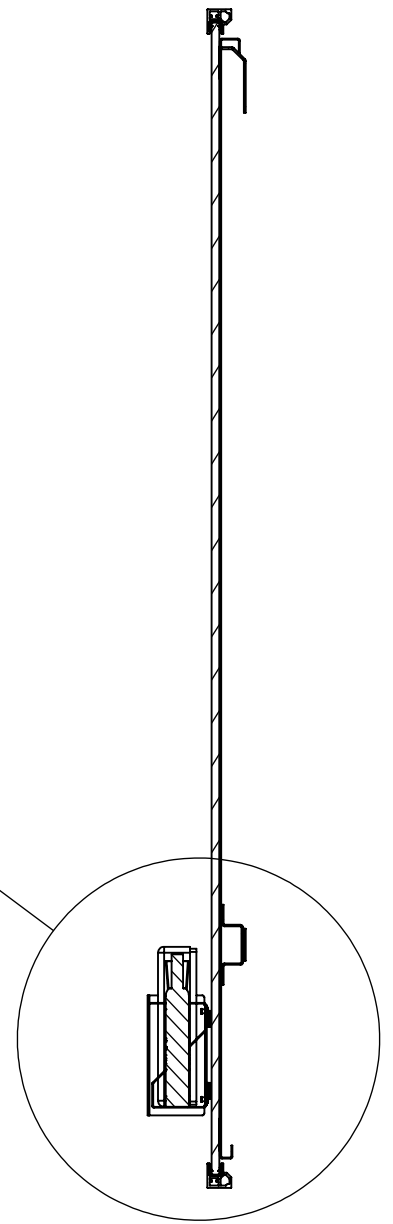
SEPT 19, 2023

Rev 00

EL4



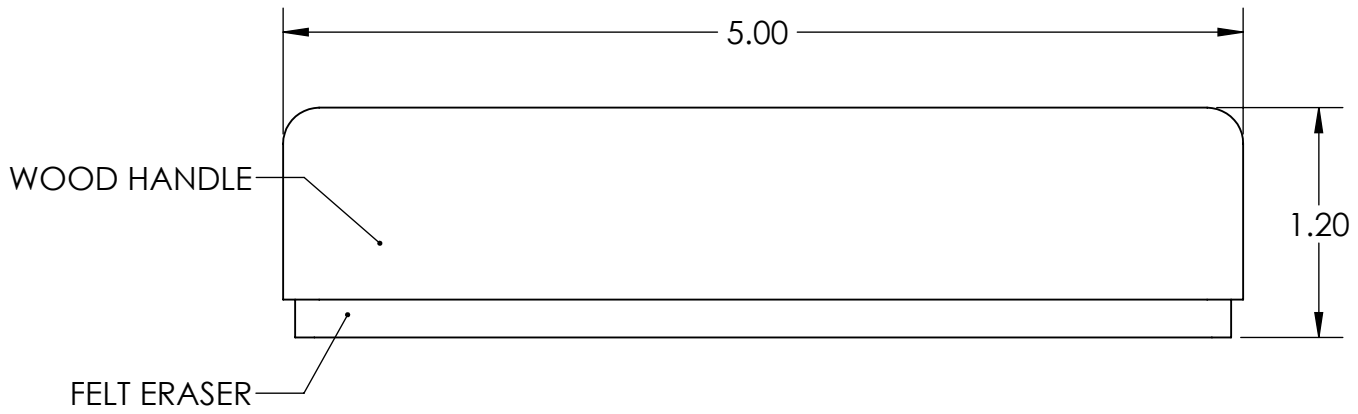
MARKER HOLDER DETAIL
SCALE 1" = 2"



SECTION D1-D1
SCALE 1" = 6"

SECTION - MARKER HOLDER

SEE SCALE NOTES ON DWG



FCGE - MARKERBOARD ERASER

ELEVATION - MARKERBOARD ERASER

1" = 1"

ARCH. COMP. MARKERBOARD PACKAGE

SEPT 19, 2023

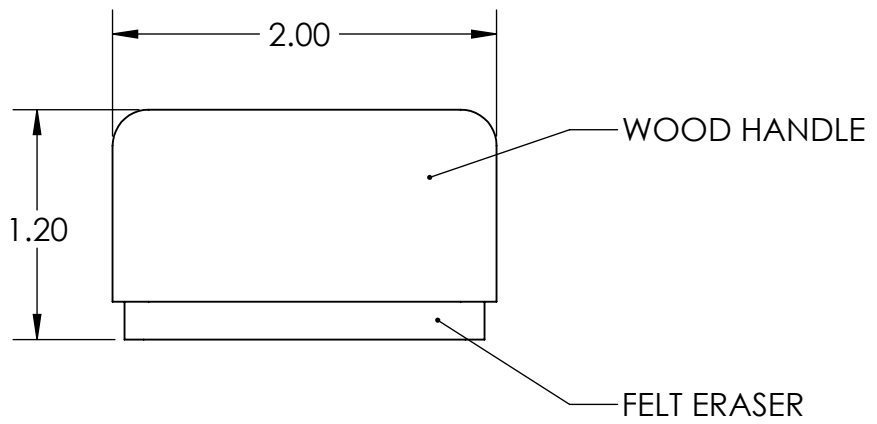
REV 00

EL5

This drawing is the property of Teknion Limited and is subject to return upon demand. It must not be copied or reproduced in any manner, nor submitted to any outside parties for examination without Teknion consent. This drawing must not be scaled, or used for construction purposes.

www.teknion.com

teknion



FCGE - MARKERBOARD ERASER

SIDE VIEW - MARKERBOARD ERASER

1" = 1"

ARCH. COMP. MARKERBOARD PACKAGE

SEPT 19, 2023

REV 00

E1

This drawing is the property of Teknion Limited and is subject to return upon demand. It must not be copied or reproduced in any manner, nor submitted to any outside parties for examination without Teknion consent. This drawing must not be scaled, or used for construction purposes.

www.teknion.com

teknion

MARKERBOARD STANDARD DRAWING PACKAGE

REV ##	DESCRIPTION	DATE
00	SEPT '23 LAUNCH DRAWING RELEASE	SEP 19, 2023

REVISION HISTORY

N.T.S

MARKERBOARD ARCHITECTURAL PACKAGE

SEPT 19, 2023

Rev 00

RH