

petal



studio T

petal product information

Petal Lounge provokes an essence of nature and mimics the blossoming of a flower with the natural organic curves of the chair. The sense of tranquility Petal brings into a space adds an inviting atmosphere to any room. Designed by the Studio TK Design team as an accent piece in a traditional lounge environment or used in multiples for a stand-alone greeting space, Petal can enhance any space.

Paired with an exposed plywood base or one of the two metal base options in an organic paint color, Petal exudes a natural calm. Petal includes three base styles including an exposed plywood base, an auto-return swivel disc base, and a four-leg metal base.

Designer	Typology
Studio TK Design Team	Lounge Seating
Collection	Year
StudioTK	2021

Collection



Fabrics & Finishes

Upholstery

Seat can be finished in different fabrics available from Luum; COM/COL

Exposed Plywood Base Finishes

Basque White Oak, Natural Oak, Sierra Oak, Cocoa Brown Oak, Truffle Oak

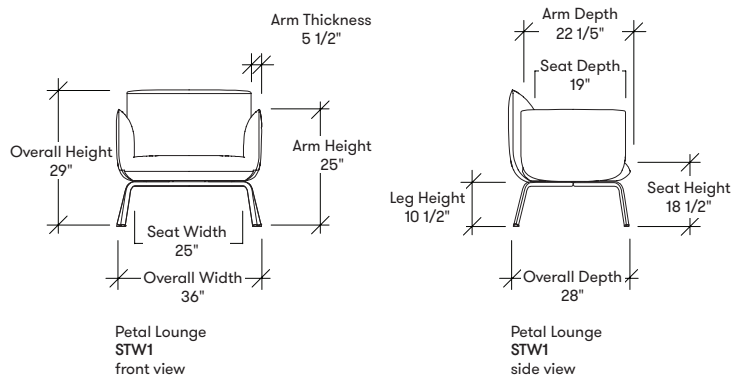
Disc Auto Return Swivel Base Finishes

Fundamental and Fashion Powdercoat finishes available

4-Leg Base Finishes

Fundamental and Fashion Powdercoat finishes available

Dimensions



Studio TK

3940 US 70 Business Hwy, West
Clayton, North Carolina 27520, USA
Tel: 855.941.0262 / Fax: 919.464.2927
www.studiotk.com

©, TM Trademarks of teknon corporation and/or its subsidiaries or licensed to it. Patents may be pending. Some products may not be available in all markets. Contact your local Studio TK representative for availability.
CAN/US/INT 01-25 © Teknon 2021 Printed in Canada SS-095-0084EN