

ballad lounge



ballad lounge

product information

The office is no longer just about work but about a lifestyle and Ballad combines form and function into a lounge chair that will be a timeless addition to any space. Designed for Studio TK by Patrick Norguet, the Ballad lounge chair is not just about aesthetics and is centered around user comfort. "The chair needs to be authentic; it needs a balance between comfort and design. We don't sell a piece of art, we sell a comfortable chair."

The lounge chair is available in a traditional low back or in a high back option for more privacy and combined with a pedestal style disc; four-star base with swivel; or a unique wood four-star base with swivel. With an extensive list of textiles to choose from, the seat and back can be finished in complementary or contrasting fabrics for more customizability.

Designer Patrick Norguet
Typology Lounge Seating

Collection Studio TK
Year 2025

Collection



Fabrics & Finishes

Upholstery

Can be finished in fabrics available from Luum, Maharam, and Kvadrat; COM/COL

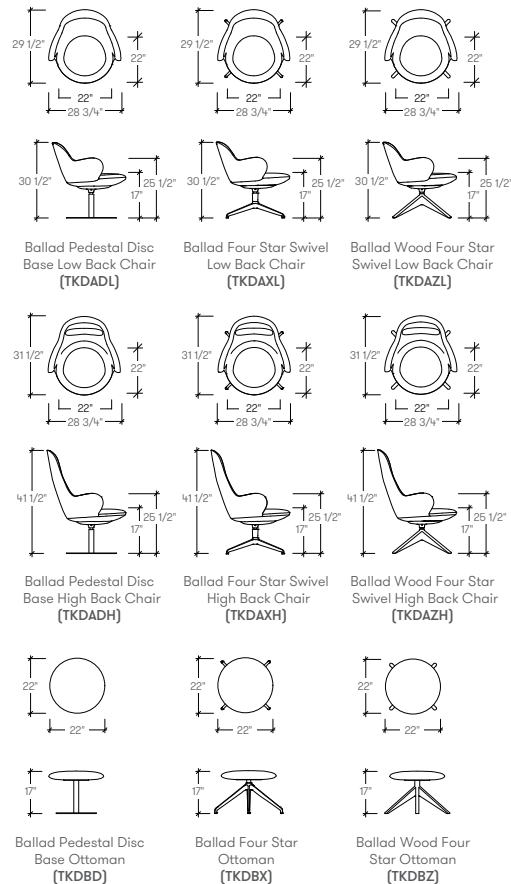
Metal Frame Finishes

Fundamental and Fashion powdercoat finishes available.

Wood Frame Finishes

Basque White Oak, Natural Oak, Sierra, Cocoa Brown, Truffle

Dimensions



Studio TK

3940 US 70 Business Hwy, West
 Clayton, North Carolina 27520, USA
 Tel: 855.941.0262 / Fax: 919.464.2927
 www.studiotk.com

®, TM Trademarks of teknon corporation and/or its subsidiaries or licensed to it. Patents may be pending. Some products may not be available in all markets. Contact your local Studio TK representative for availability. CAN/US/INT 05/25 © Teknion 2025 Printed in Canada

