

Punt

INDEX  
By Section

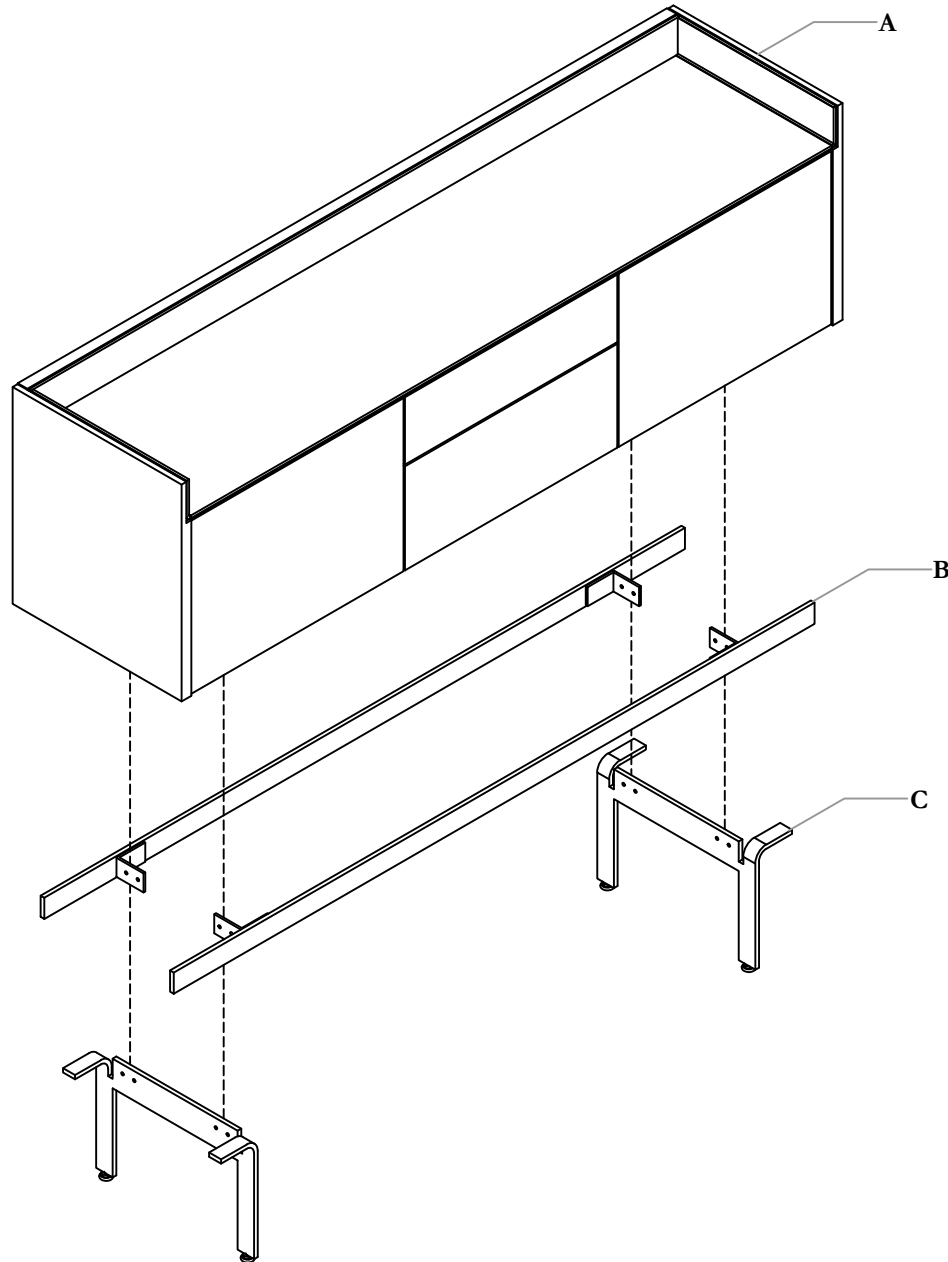
\*Click on the desired Installation Guide to jump to the Guide page.

Product Name	Product Code	Guide No.	Last Updated
<b>Storage</b>			
Stockholm Storage	PCSS	101	May 2021
Literatura Storage (PCLS)	PCLS	102	Sept. 2018
Literatura Open w/ Glider Shelf (PCL0)	PCL0		
Literatura Glider Shelf (PCLG) "	PCLG		
Literatura Open Bookcase	PCLB	103	Sept. 2018

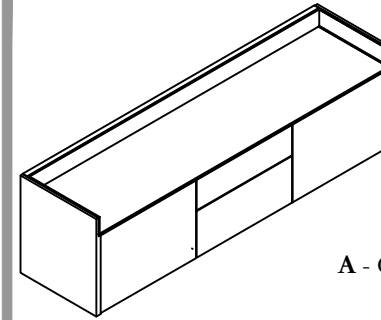
Product Name	Product Code	Guide No.	Last Updated
<b>Tables</b>			
Mitis Tables	PCMT	201	Sept. 2018

Product Name	Product Code	Guide No.	Last Updated
<b>No Installation Guide</b>			
Mava Chair	PCMC		

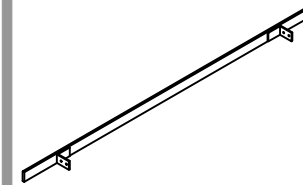
Stockholm Storage (PCSS)



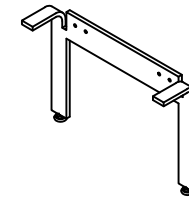
Part and Product Identification



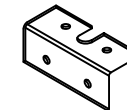
**A** - Credenza x1



**B** - Horizontal Beam x2



**C** - Support Leg x2



**D** - L-Bracket  
(D56-0004) x4



**E** - #8x 5/8" Ph Screw  
(E57-0002) x8



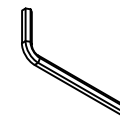
**F** - M6x25 Bolt  
(E56-0143) x8



**G** - M6 Locknut  
(E56-0144) x8

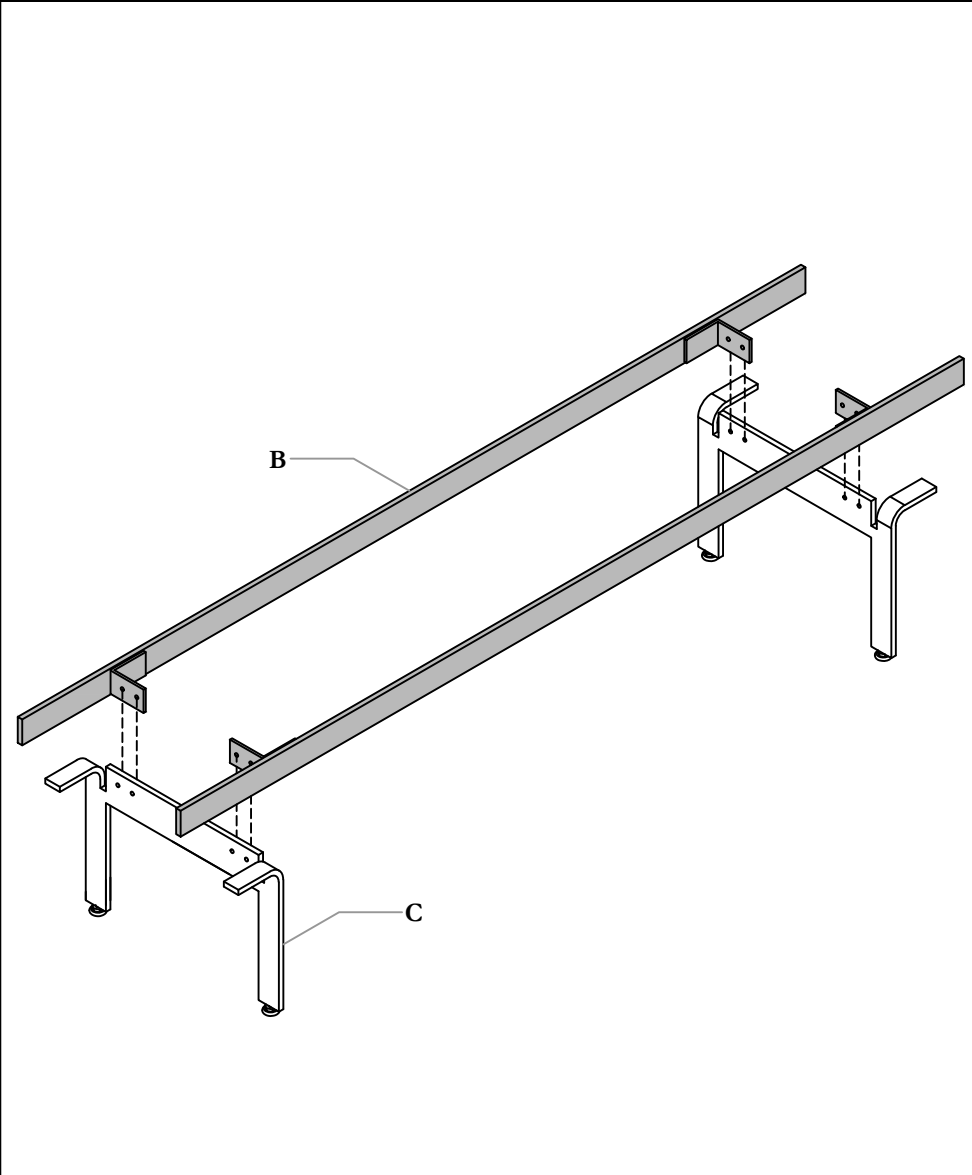


**H** - 1/4" SAE Flat Washer Zinc  
(E57-0044) x8



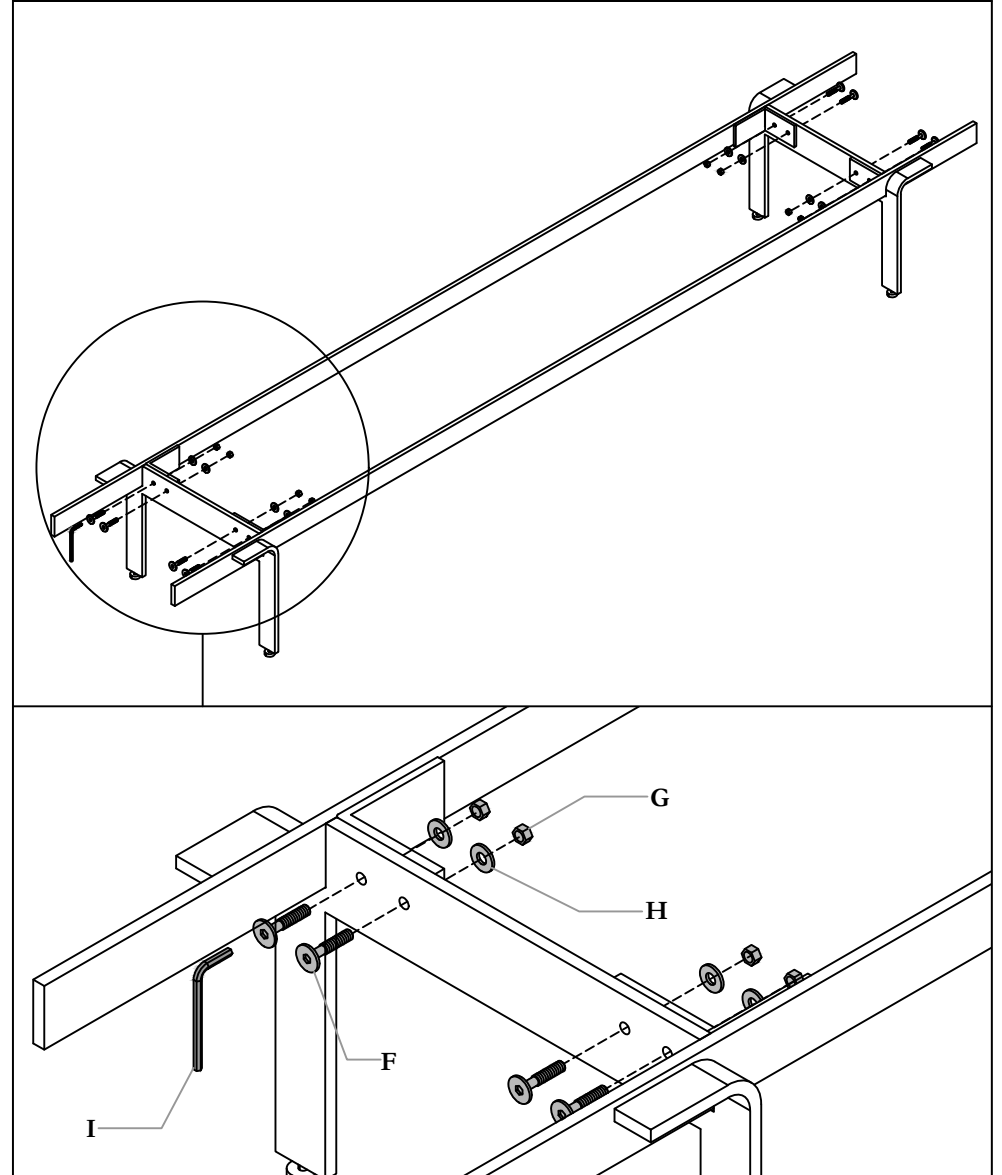
**I** - Allen n°4  
(F57-0002) x1

**ASSEMBLE FRAME**



STEP 1: Assemble Horizontal Beam and Frame Leg together as shown above.

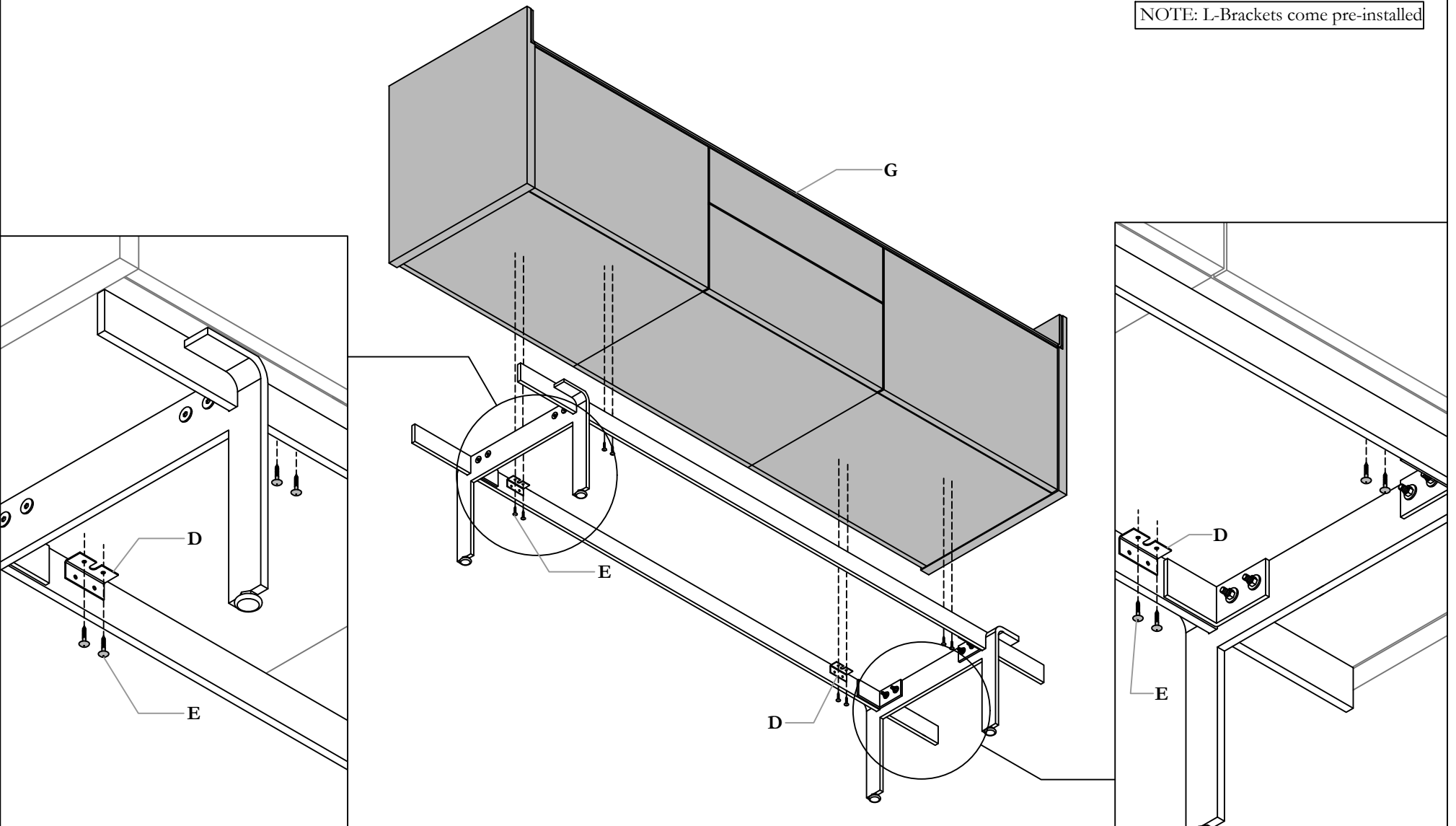
**SECURE FRAME**



STEP 2: Secure the Frame Assembly with Hardware provided.

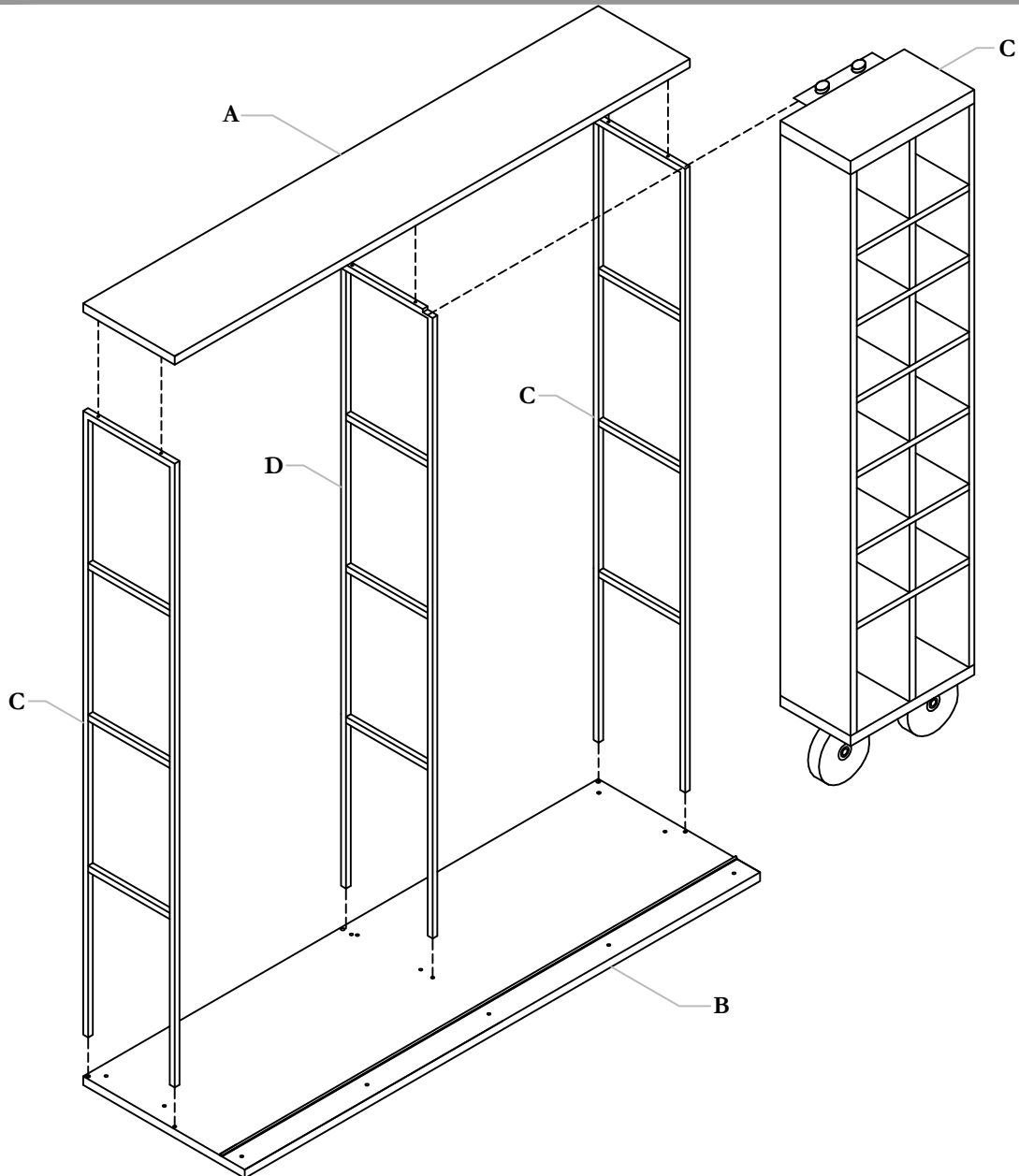
SECURE CREDENZA

NOTE: L-Brackets come pre-installed

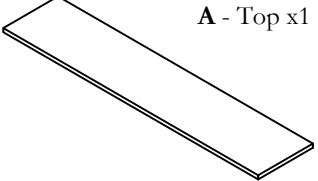
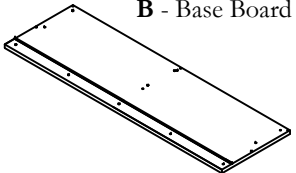
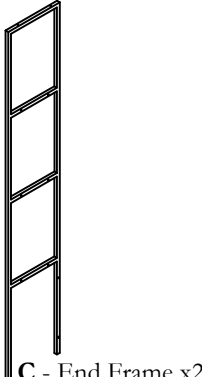
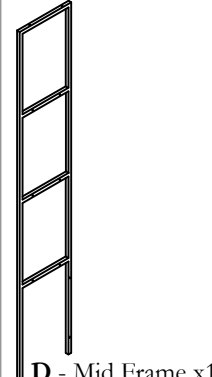
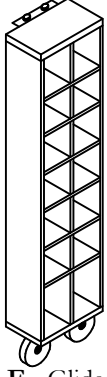
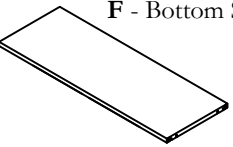
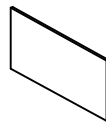



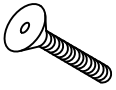





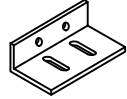



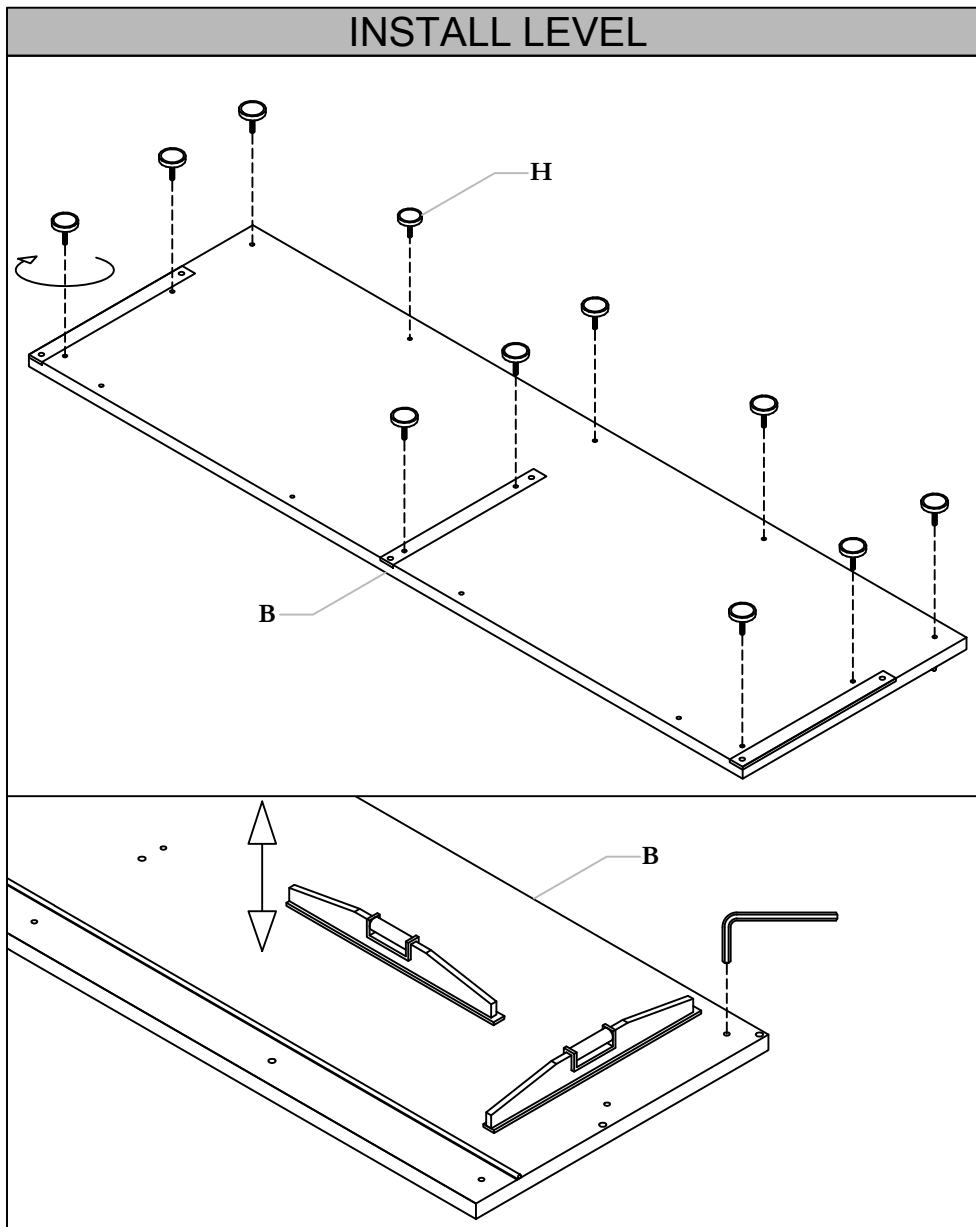
STEP 3: Place the Credenza on top of the Frame Assembly. Secure it by fastening the Brackets on the Frame to Credenza.

Literatura Storage (PCLS), Literatura Glider Shelf (PCLG)  
& Literatura Open w/ Glider Shelf (PCLO)

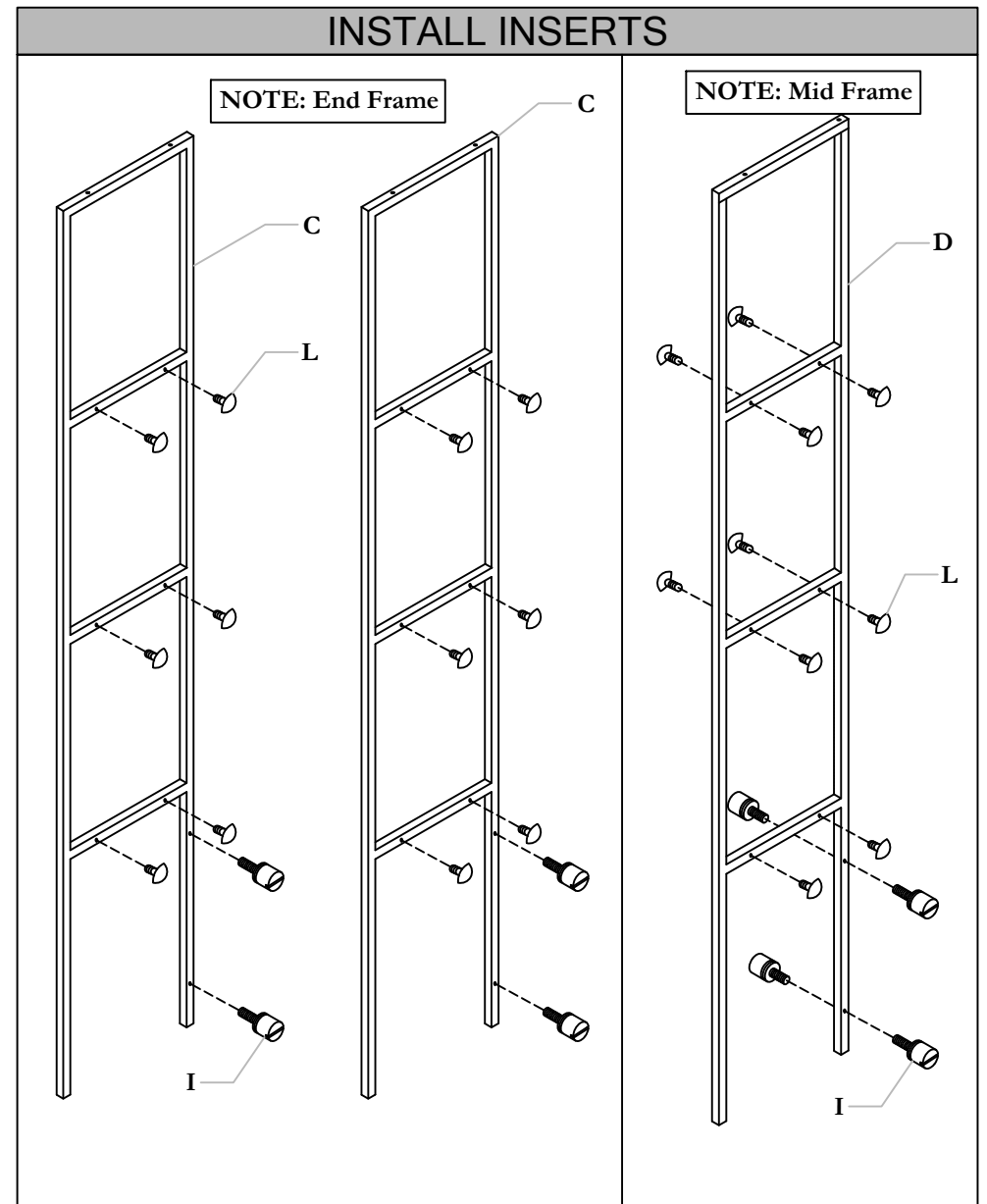


Part and Product Identification

	<b>A - Top</b> x1		<b>B - Base Board</b> x1
	<b>C - End Frame</b> x2		<b>D - Mid Frame</b> x1
		<b>E - Glider Shelf</b> x1	
	<b>F - Bottom Shelf</b> x2		<b>G - Back Panel</b> x2
	<b>H - Level</b> (ZO8) x6		<b>I - M4X7</b> (70547) x8
	<b>J - M6x25</b> (98786) x8		<b>K - M5x35</b> (70552) x6
	<b>L - M6x8</b> (71086) x24		<b>M - Plugs</b> x6 (98766) or (98114)
	<b>N - 4x40</b> (70308) x4		<b>O - 4x16</b> (98822) x4
	<b>P - Anchor</b> (98753) x4		<b>Q - Brackets</b> (70195) x2
	<b>R - M4 x 22</b> (98813) xQty Varies		

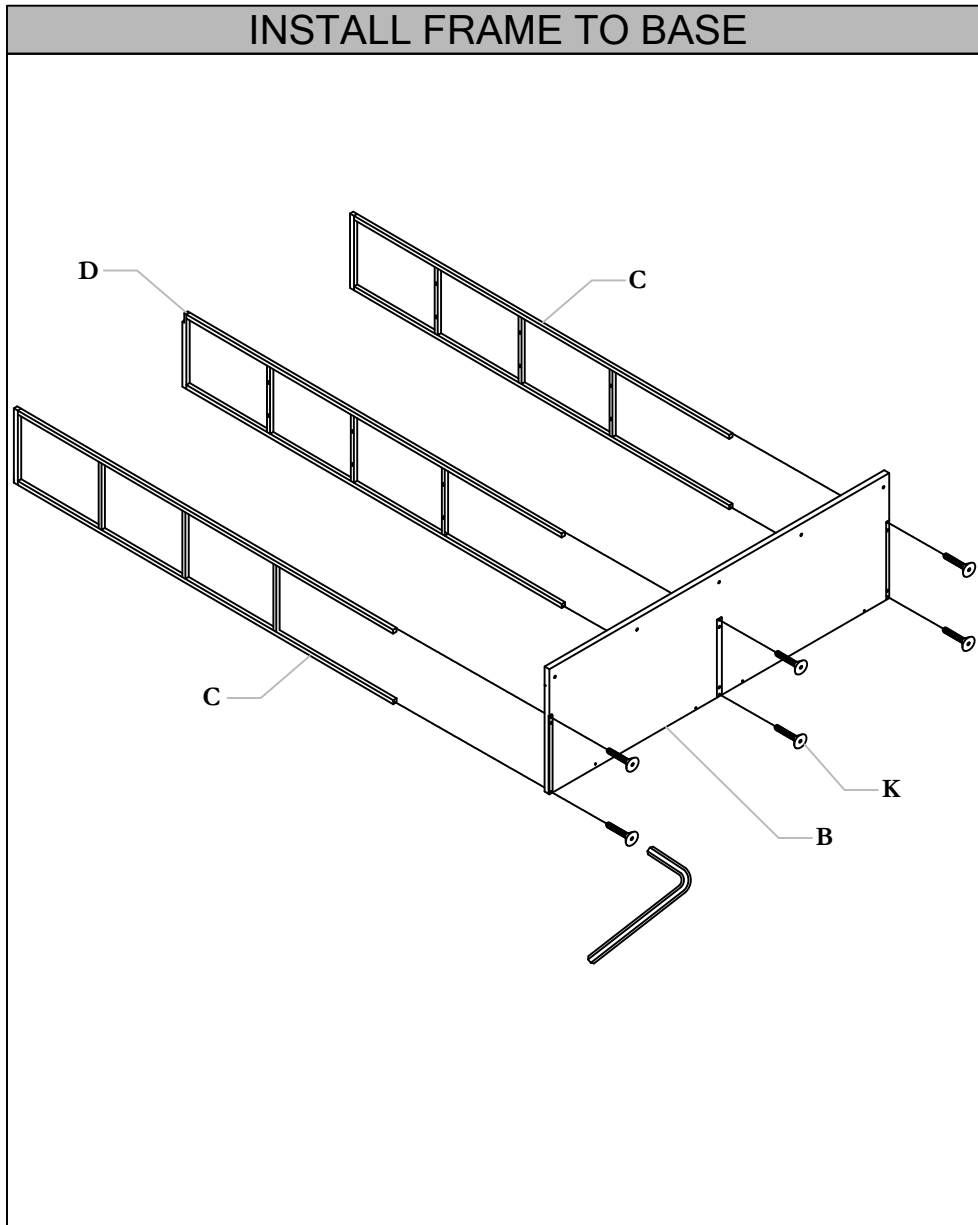


STEP 1: Install Level on the bottom side of the base board. Flip it right side up and level with an Allen Key as shown above.



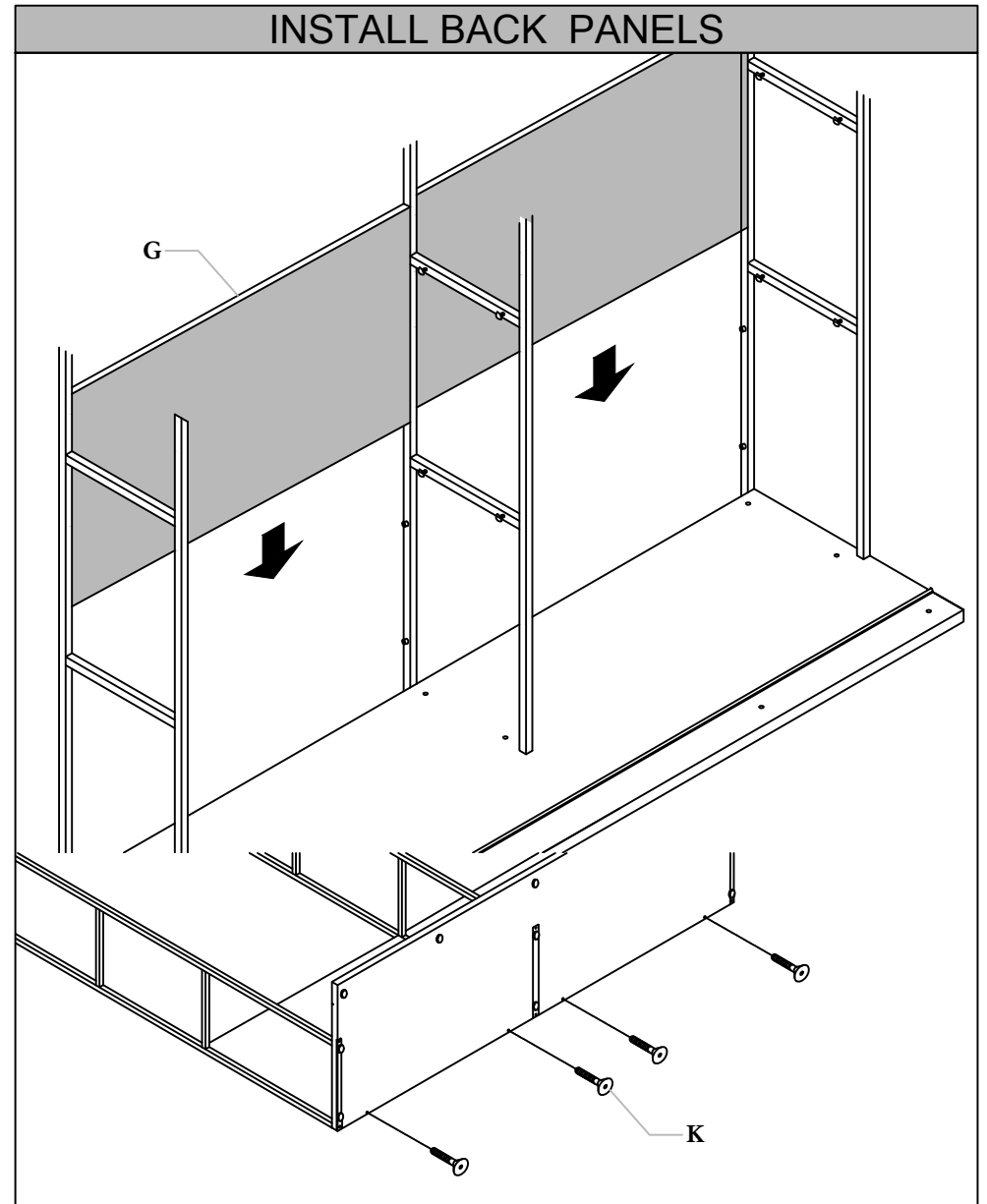
STEP 2: Install Shelf Supporting Inserts on the End Frames.

**INSTALL FRAME TO BASE**



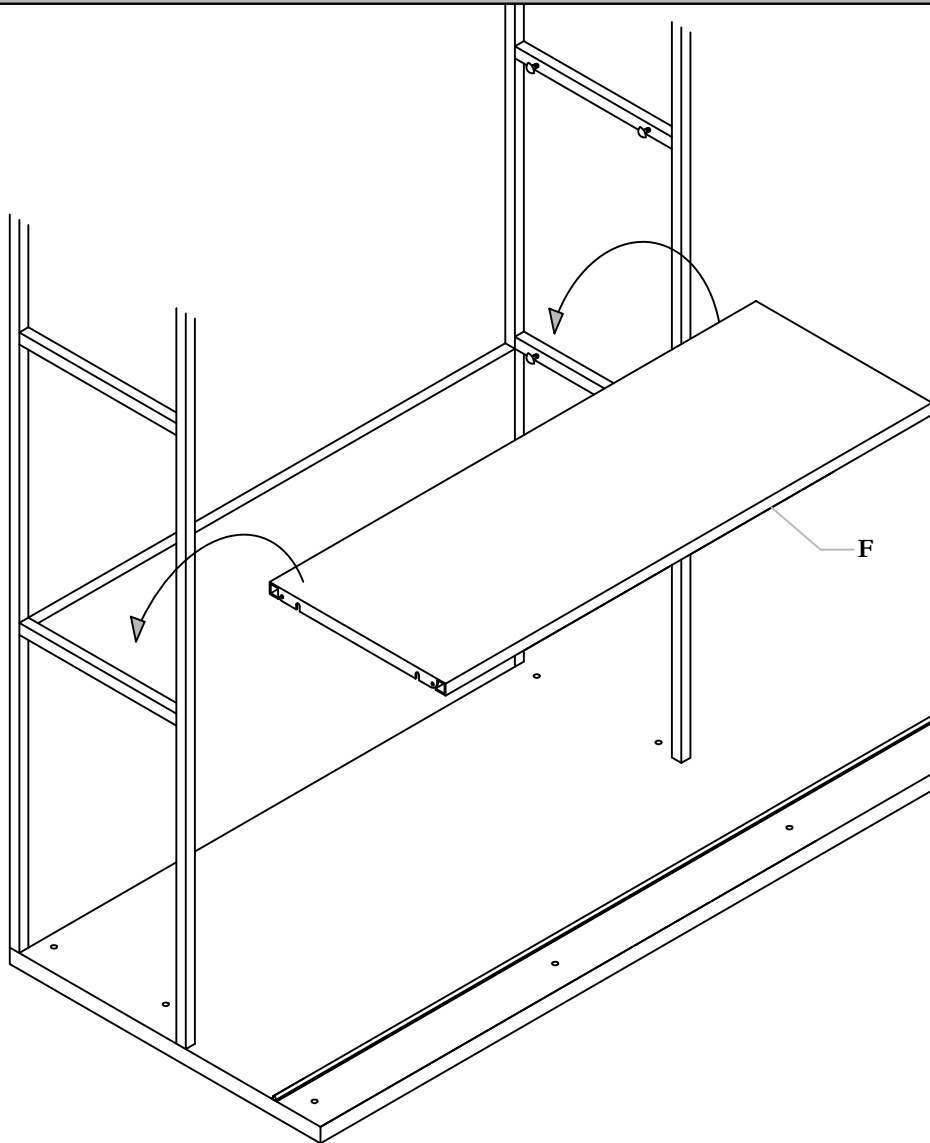
STEP 3: Install and secure the frame.

**INSTALL BACK PANELS**



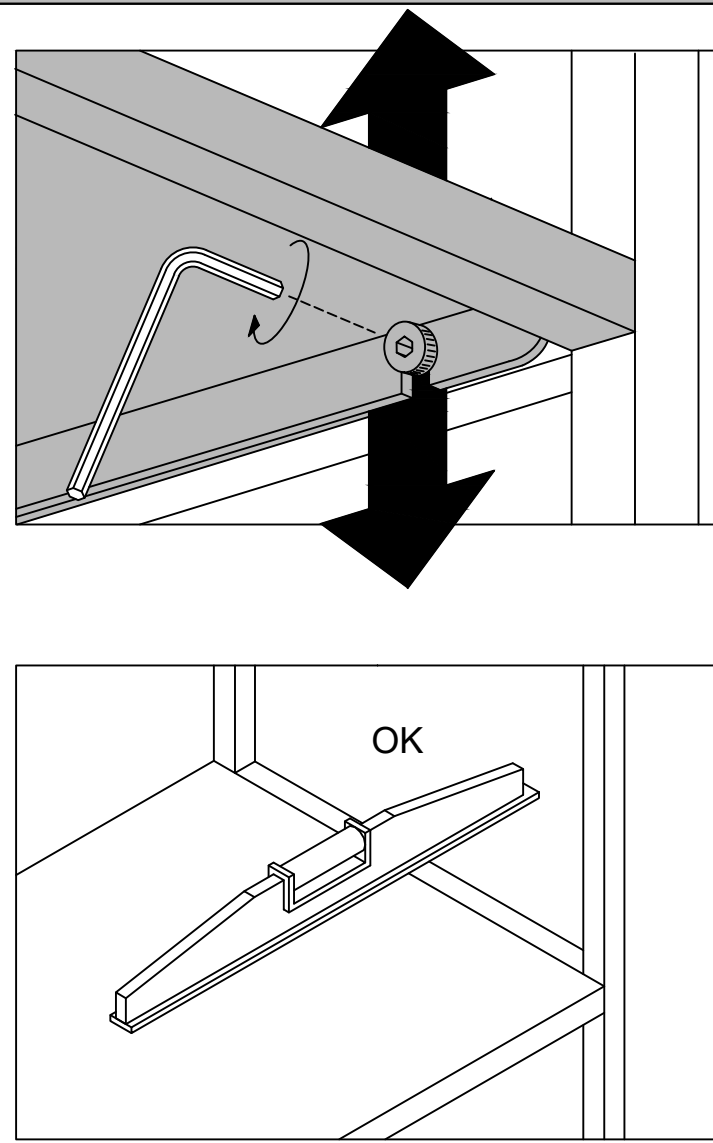
STEP 4: Install Back Panels as shown above. Secure it with Screws provided.

**INSTALL SHELVES**



STEP 5: Install Shelves.

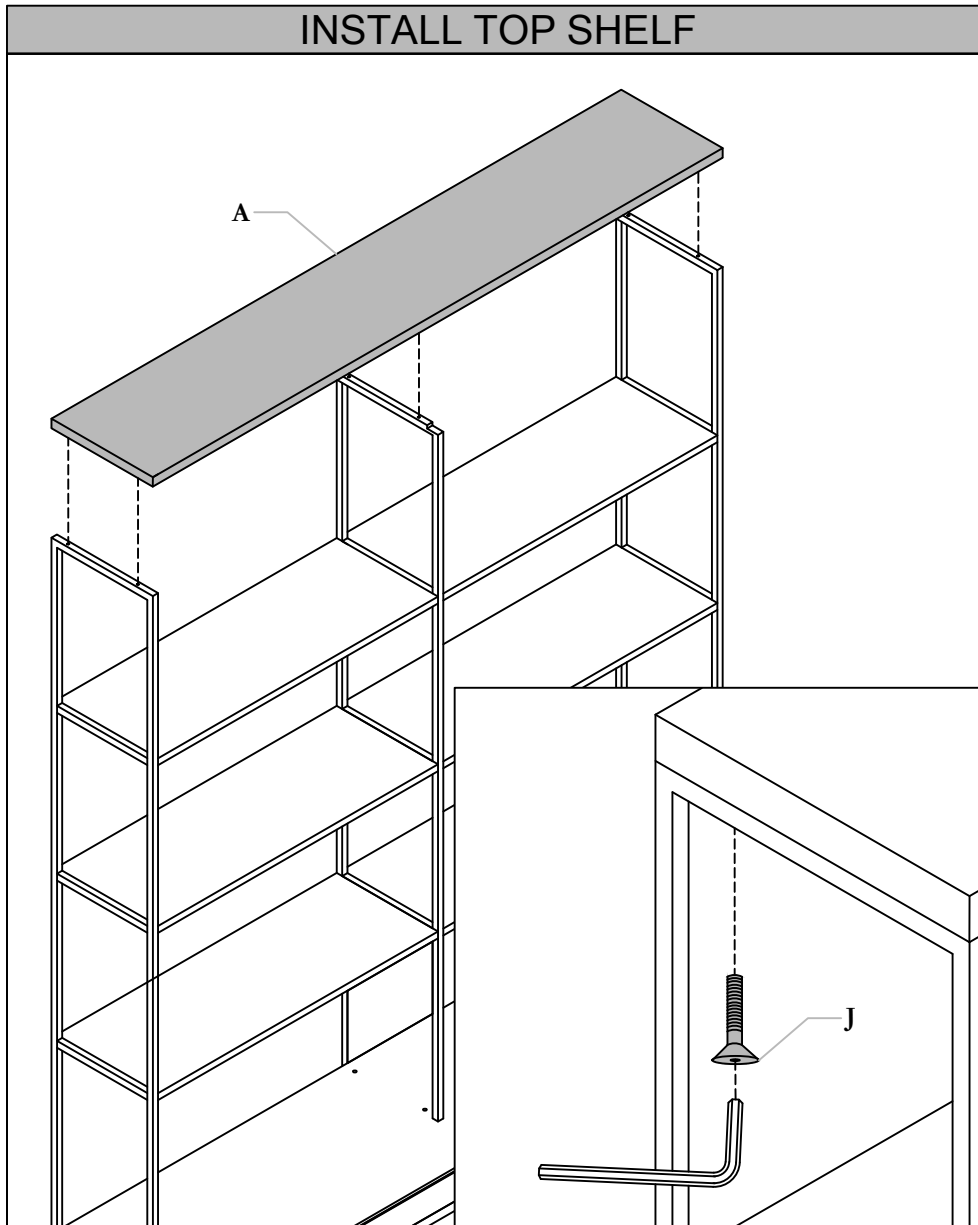
**LEVEL AND SECURE**



STEP 6: Level and secure Shelves.

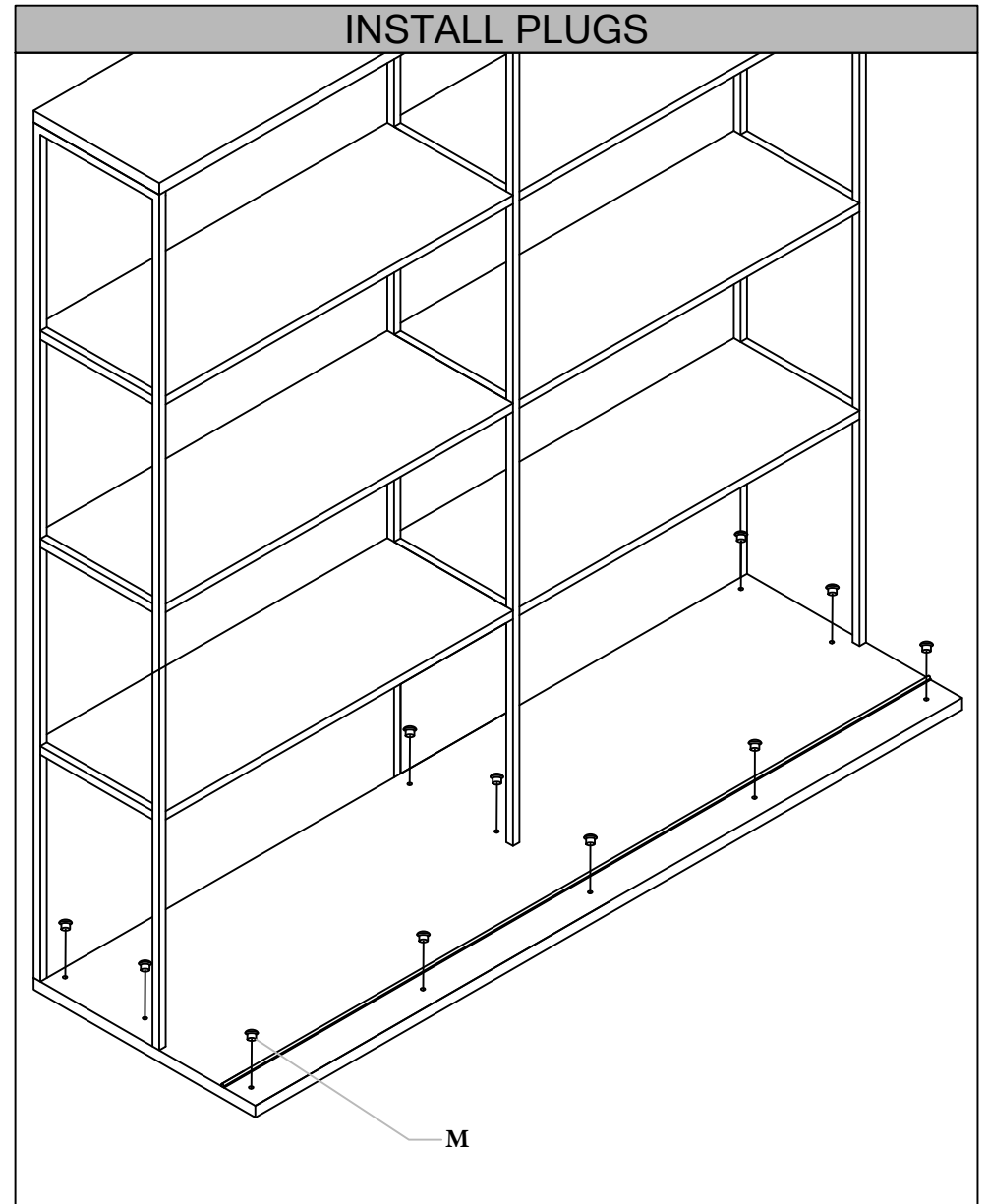


**INSTALL TOP SHELF**



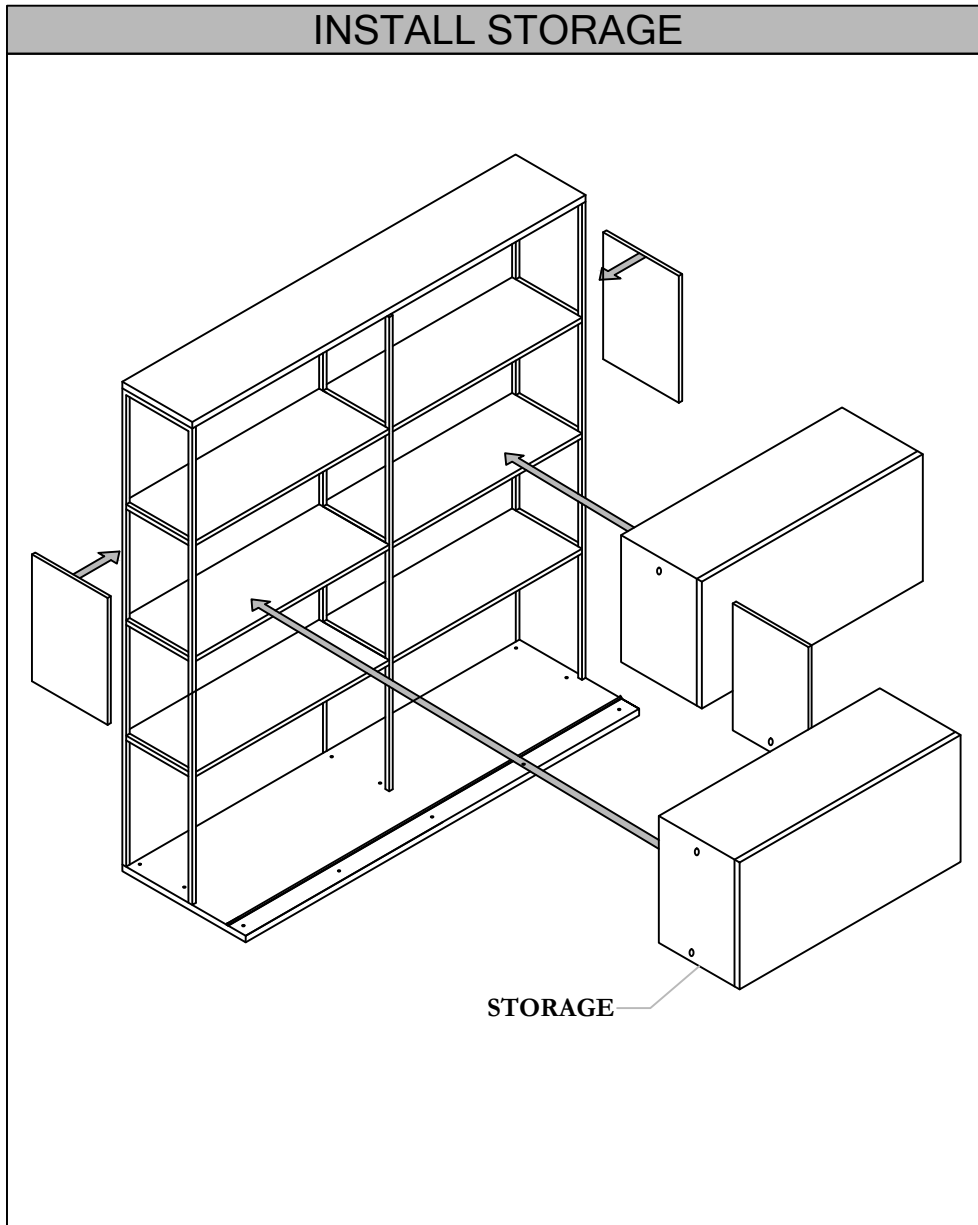
STEP 7: Install Top Shelf as shown above. Place the Screw on the back side but do not tighten it.

**INSTALL PLUGS**



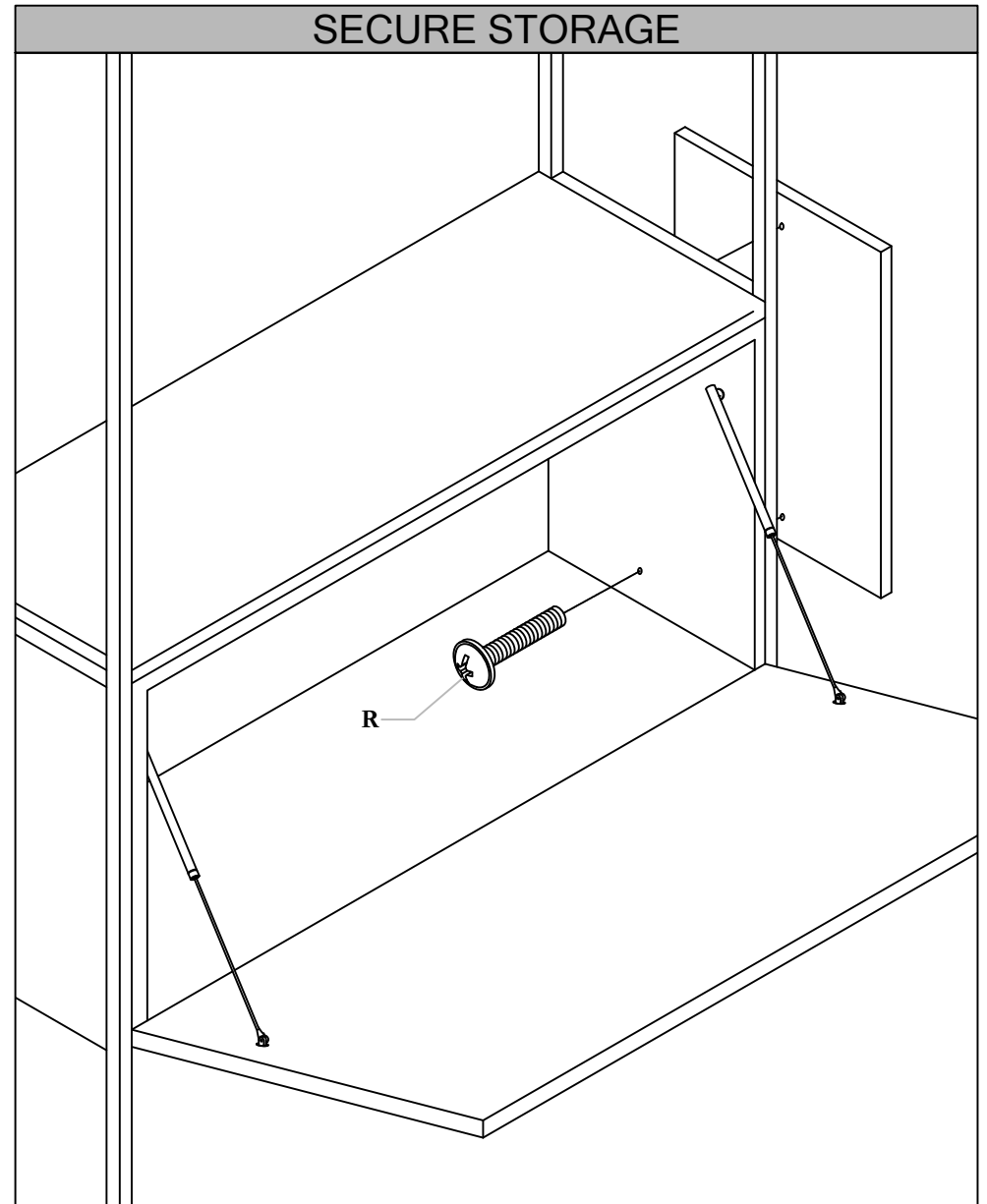
STEP 8: Install Plugs as shown above.

**INSTALL STORAGE**



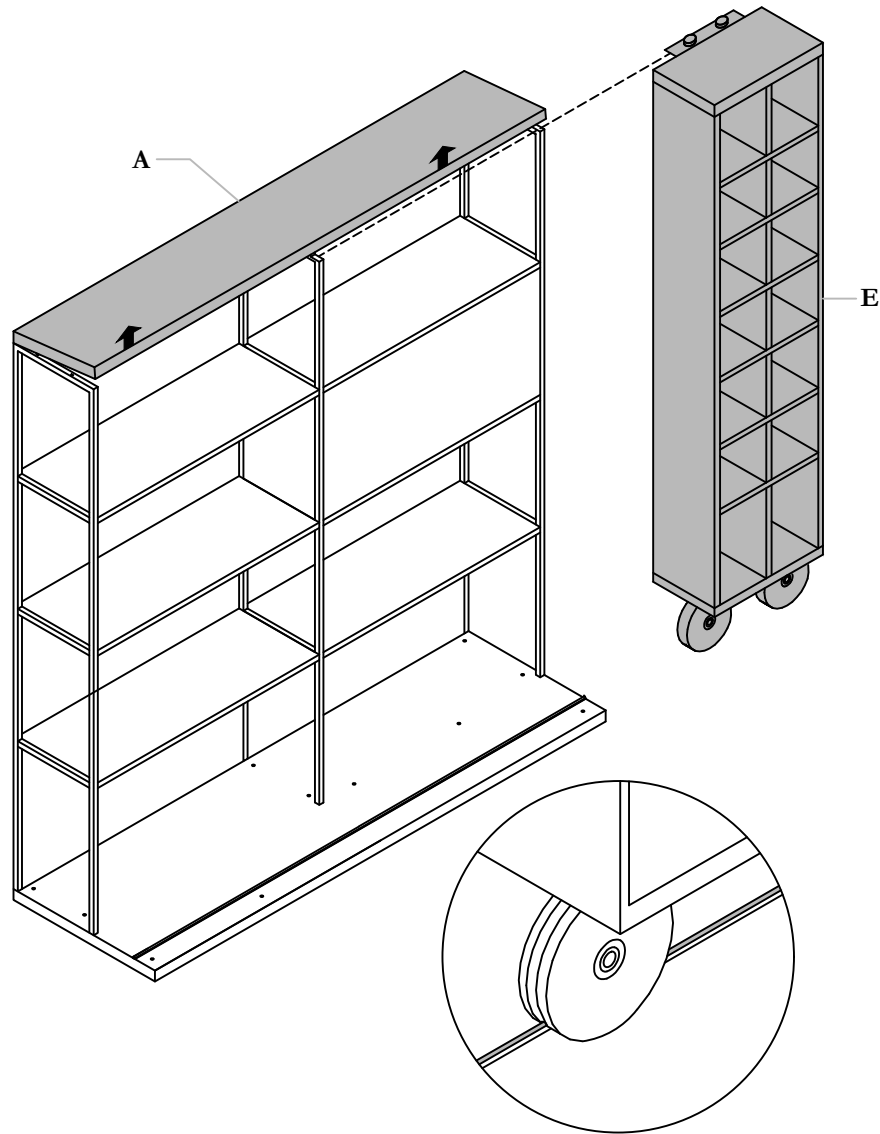
STEP 9: Install Storage. Secure it with the screws provided on the inside wall of the storage.

**SECURE STORAGE**



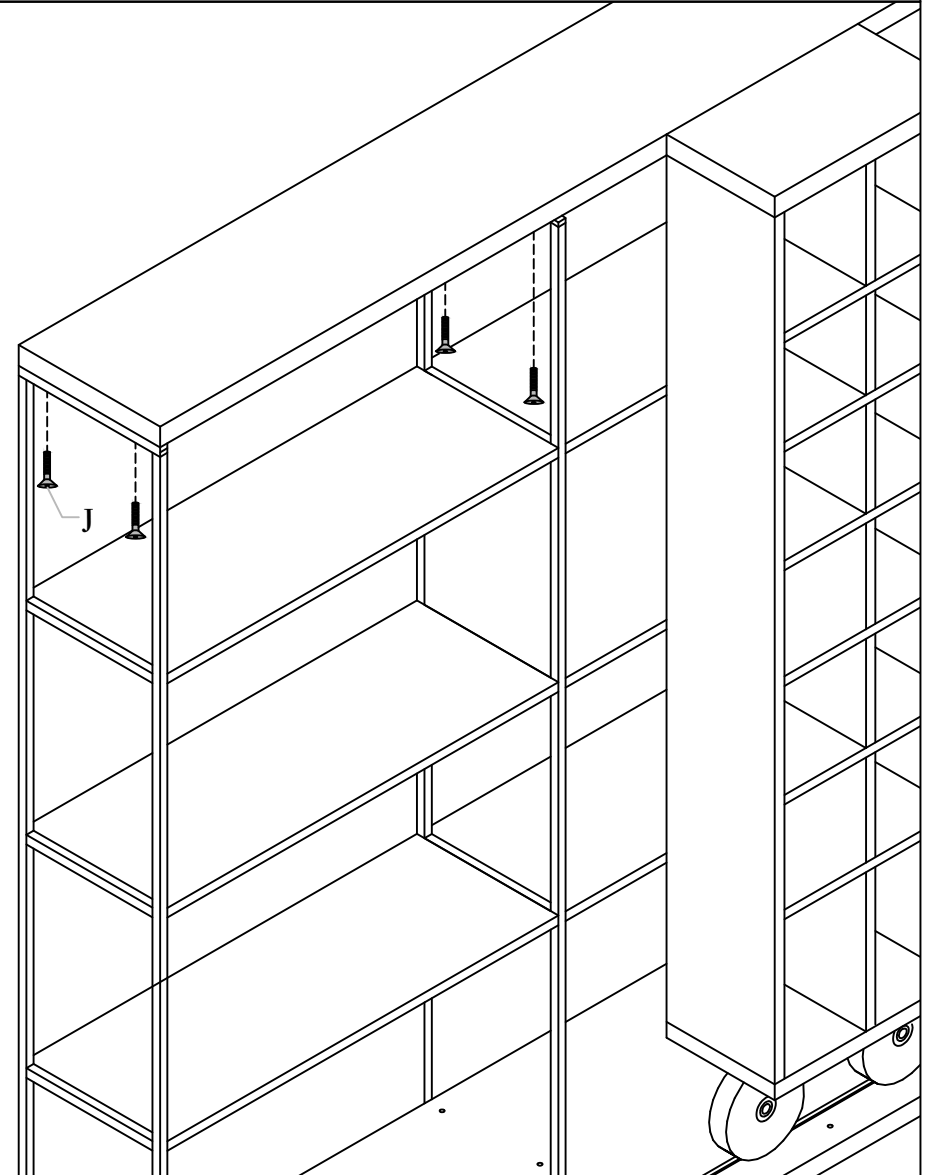
STEP 10: Secure storage by fastening with screws provided.

**INSTALL GLIDER SHELF**



STEP 11: Lift up the Top Panel and slide the Glider Shelf onto the Rail.

**SECURE TOP SHELF**

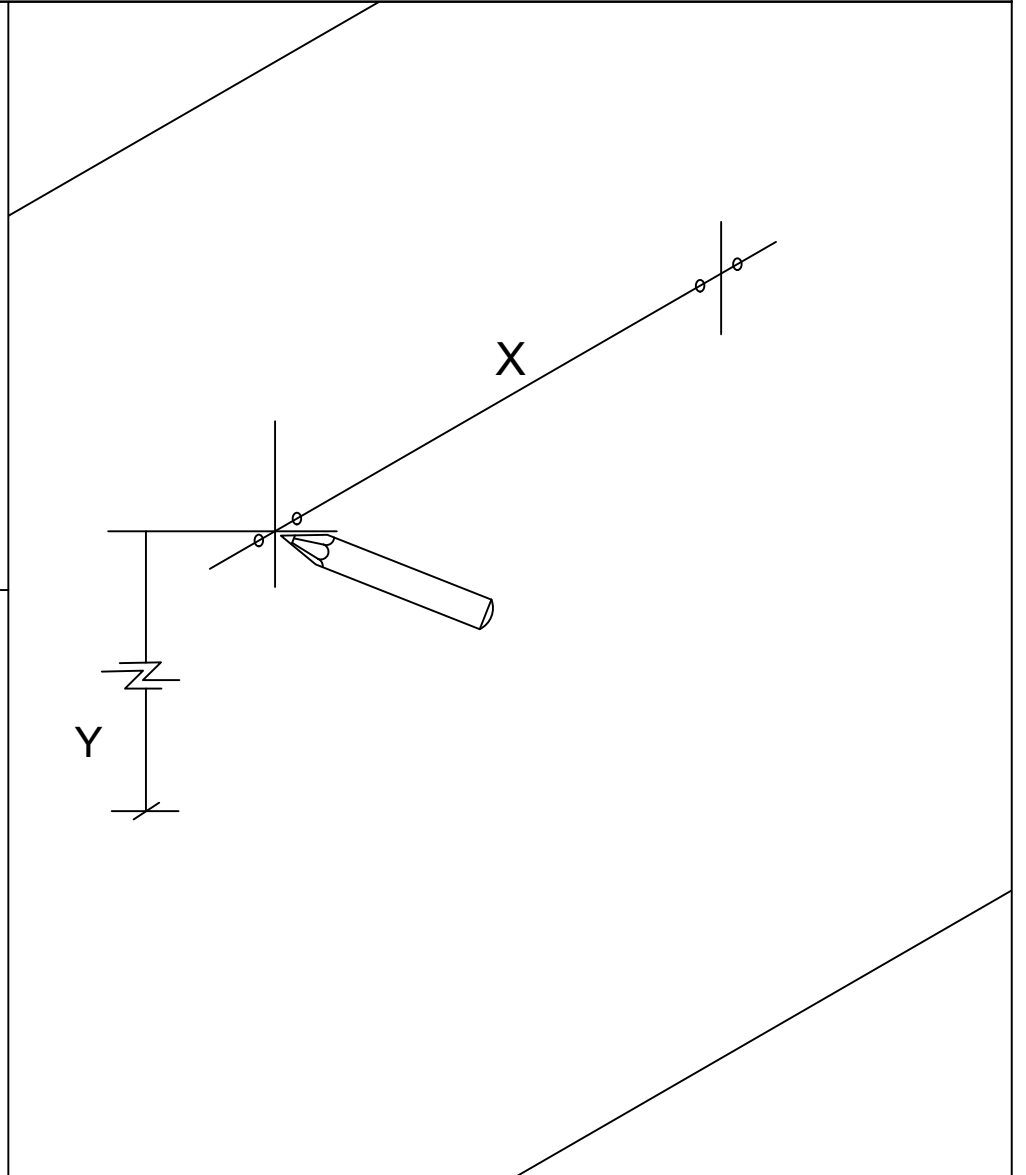
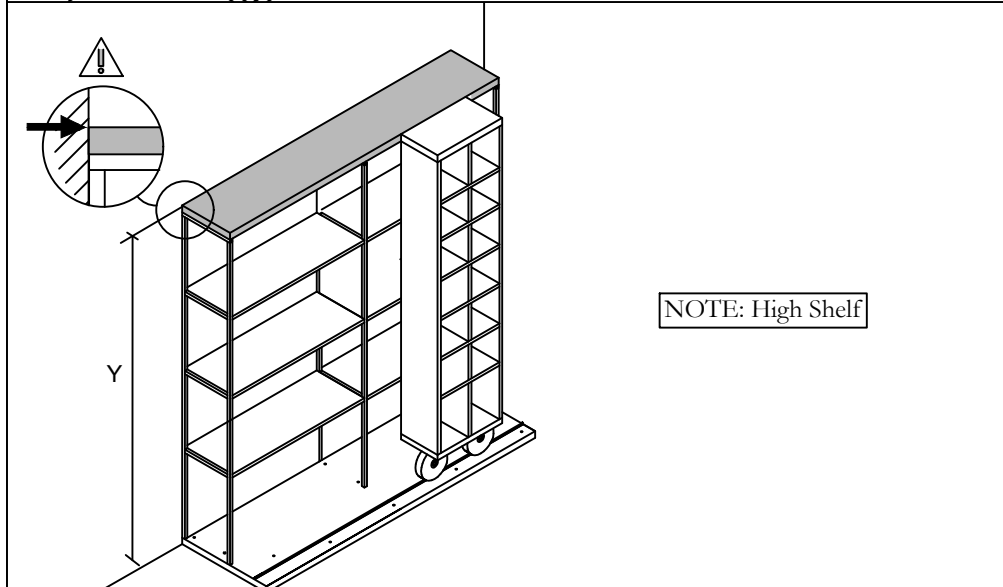
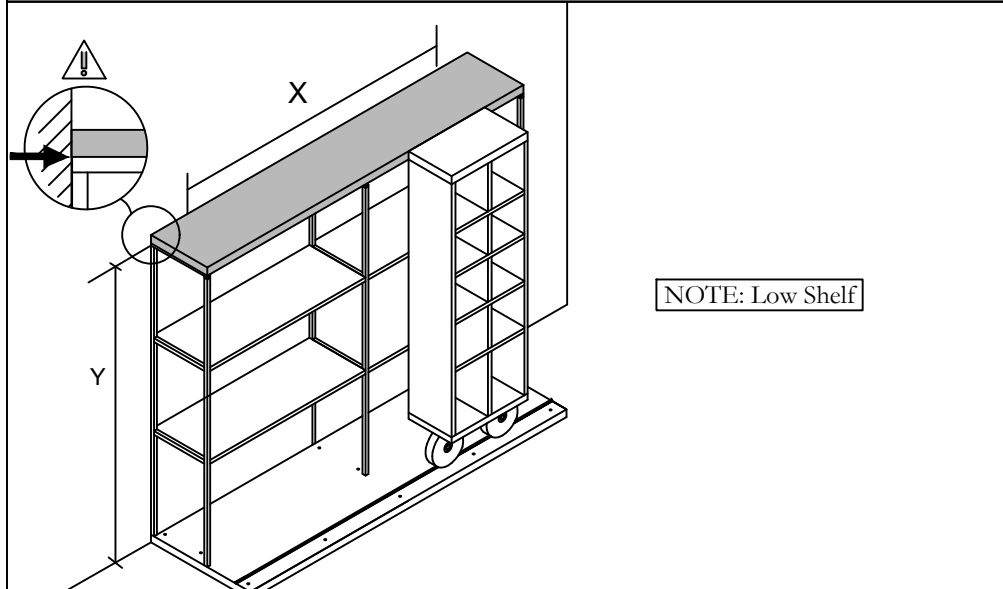


STEP 12: Tighten top shelf by fastening Screws provided.

Section: **STORAGE**

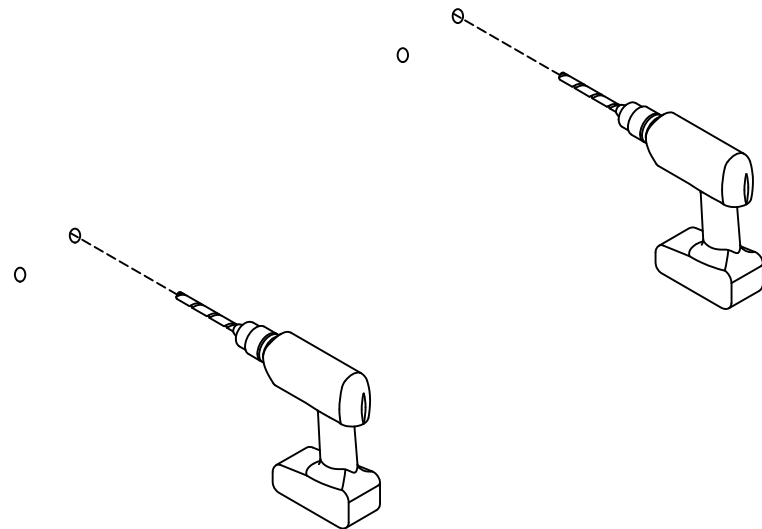
Description: **LITERATURA OPEN BOOKCASE WITH GLIDER SHELF**

DETERMINE AND MARK THE HOLE ON THE WALL



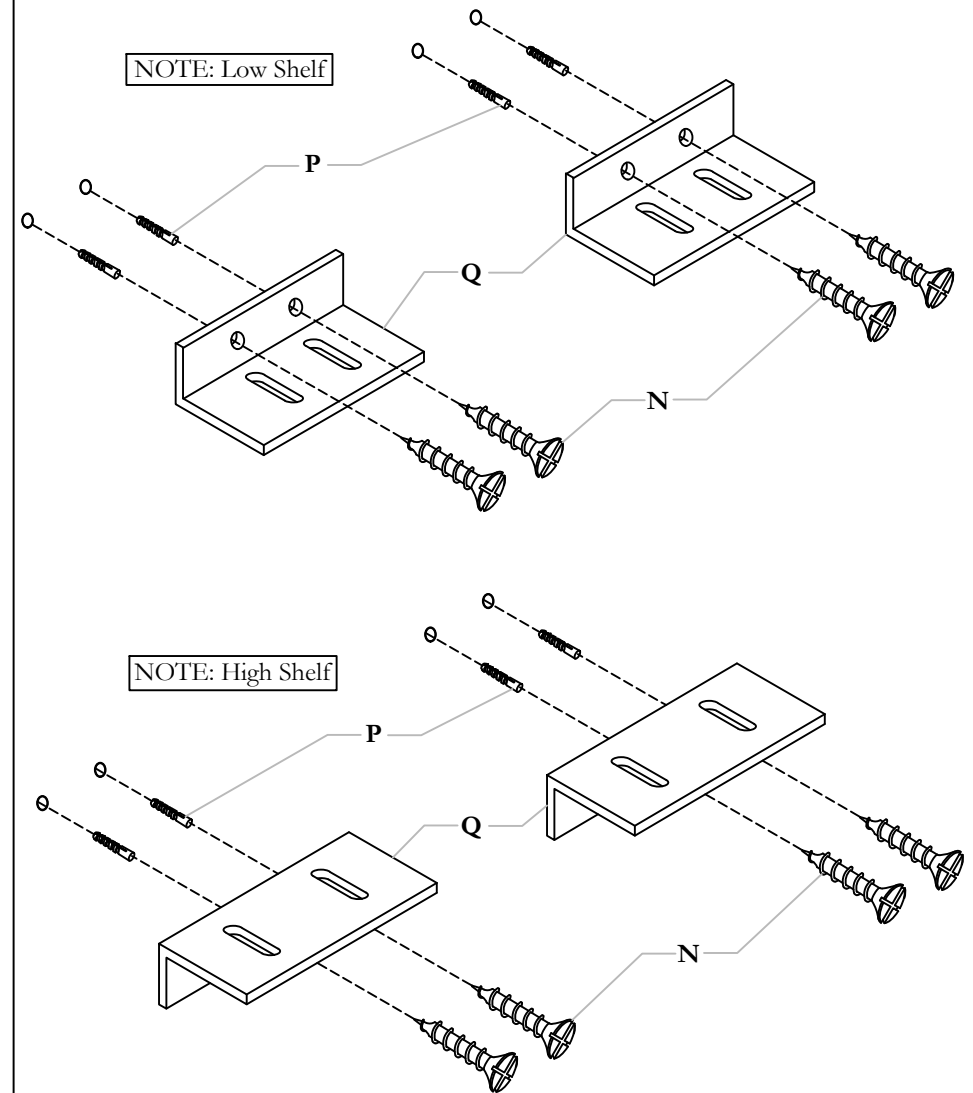
STEP 13: Determine if the shelf is low or high shelf. Draw markings on the wall in preparation to drill holes.

**DRILL PILOT HOLE**



STEP 14: Drill pilot holes onto the wall.

**INSTALL BRACKETS**



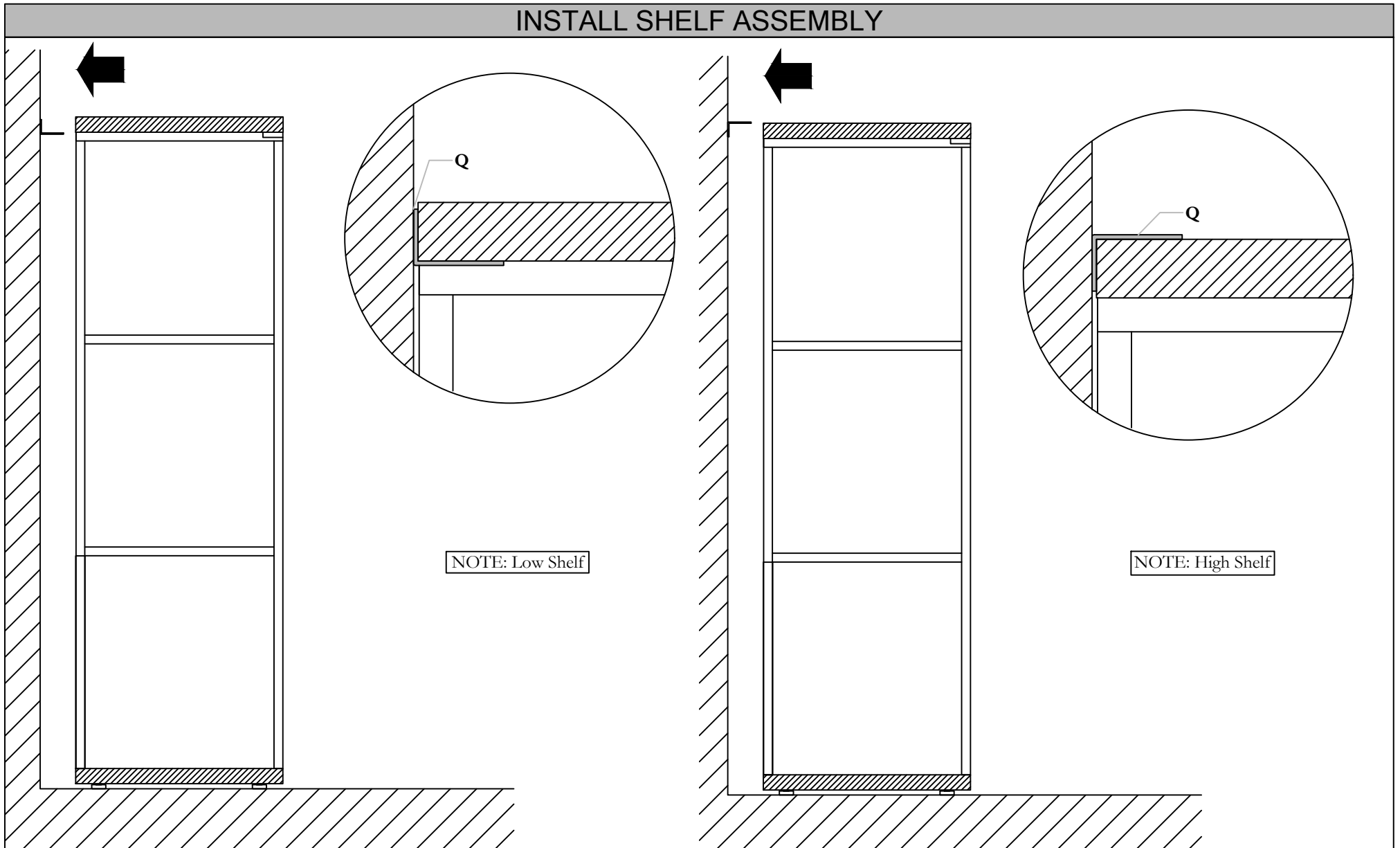
STEP 15: Install Brackets on the wall using the Anchors.

Section: **STORAGE**

Date: Sept 2018 Page No: 10 of 11  
PNT\_102

Description: **LITERATURA OPEN BOOKCASE WITH GLIDER SHELF**

**INSTALL SHELF ASSEMBLY**



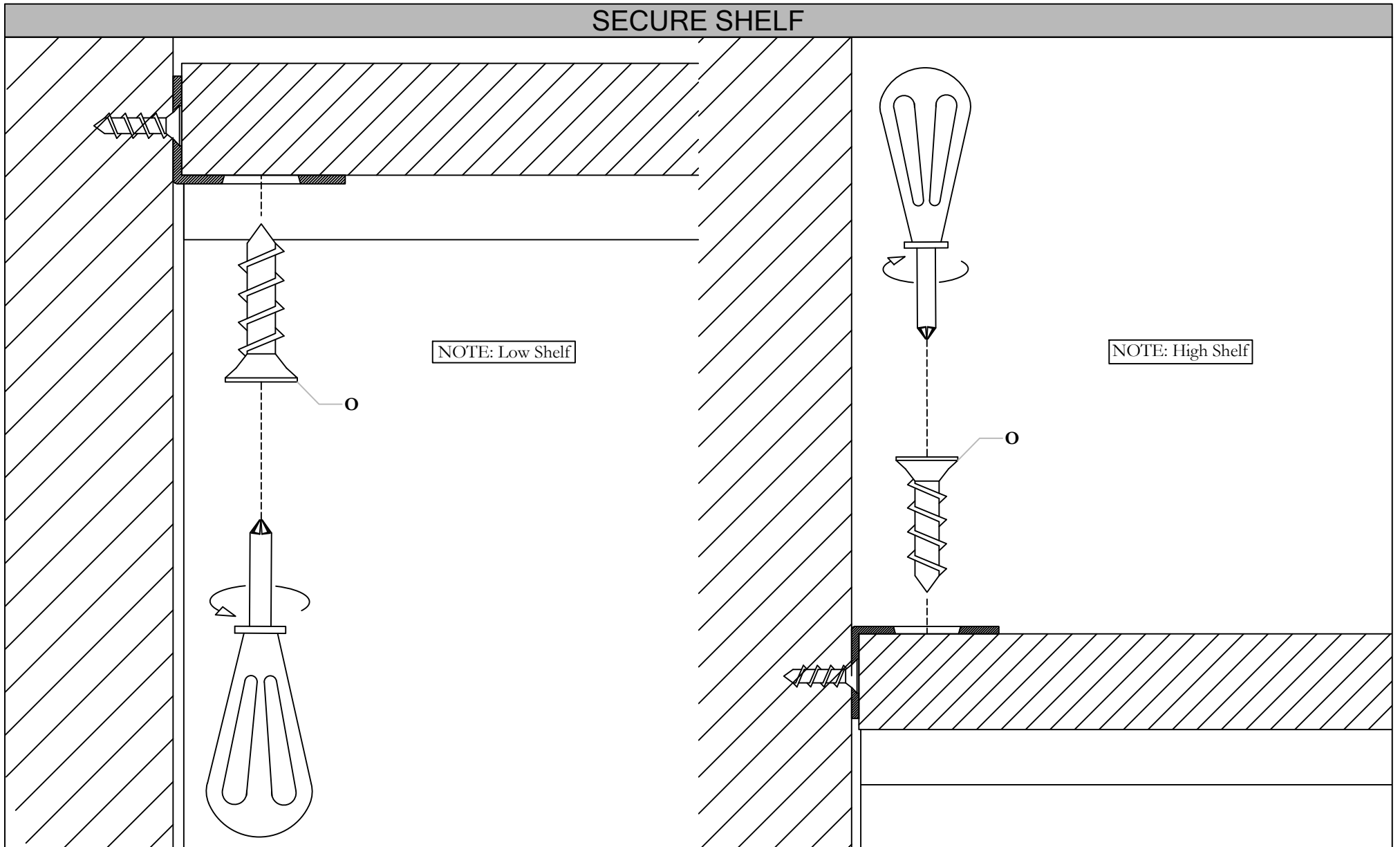
NOTE: Low Shelf

NOTE: High Shelf

STEP 16: Install Shelf Assembly onto the wall. For Low Shelf, follow the instruction on the left. For High Shelf, Follow the instruction on the right.

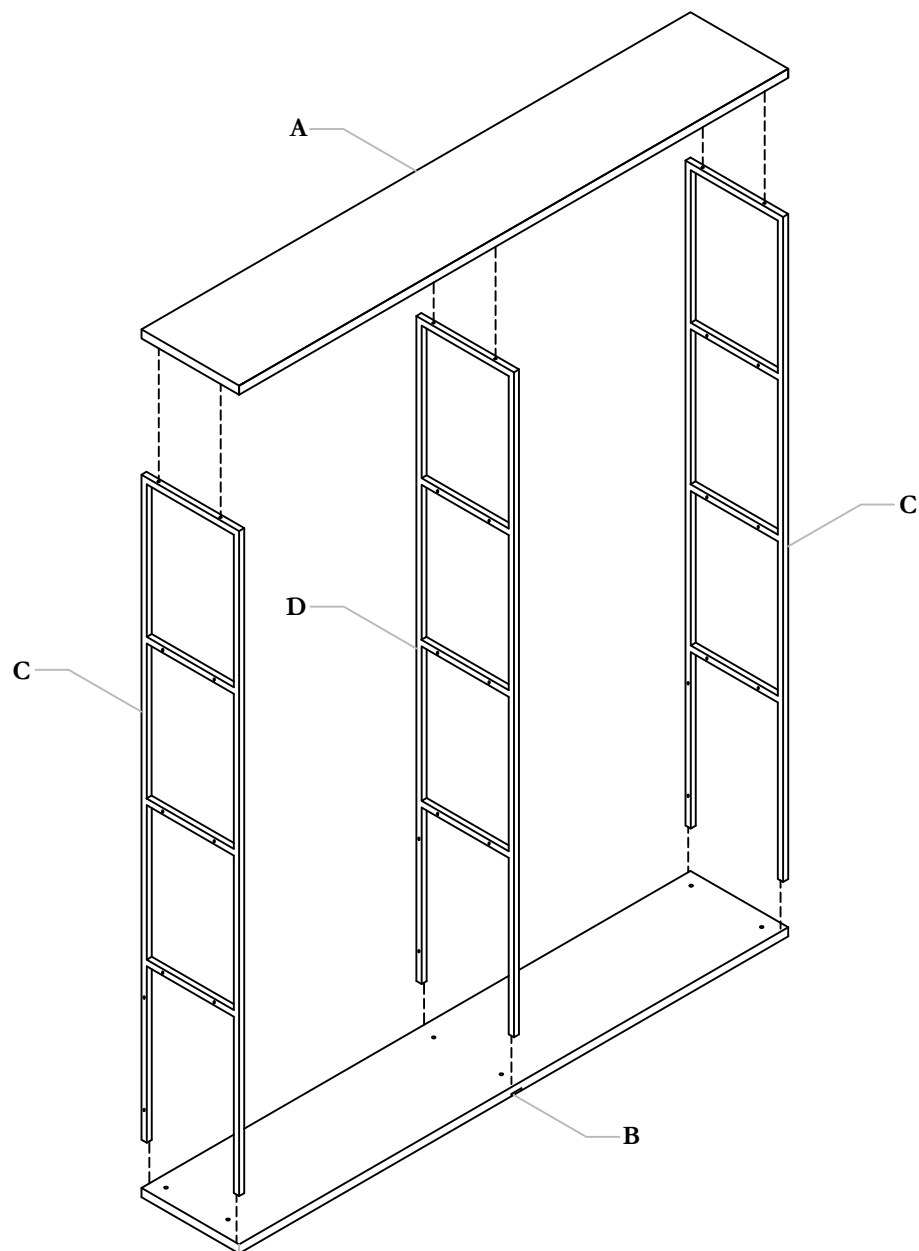
Section: STORAGE

Description: LITERATURA OPEN BOOKCASE WITH GLIDER SHELF

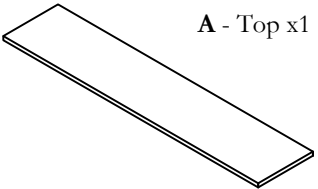
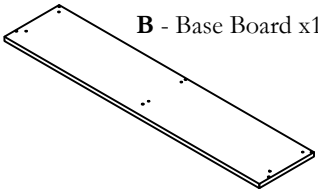
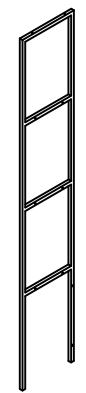
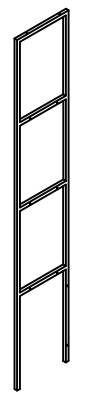
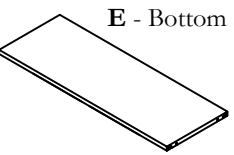
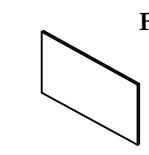

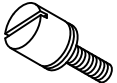

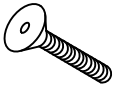





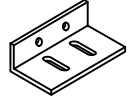



STEP 17: Secure Shelf by fastening Woodscrew provided. For Low Shelf, follow the instruction on the left. For High Shelf, Follow the instruction on the right.

Literatura Open (PCLO)

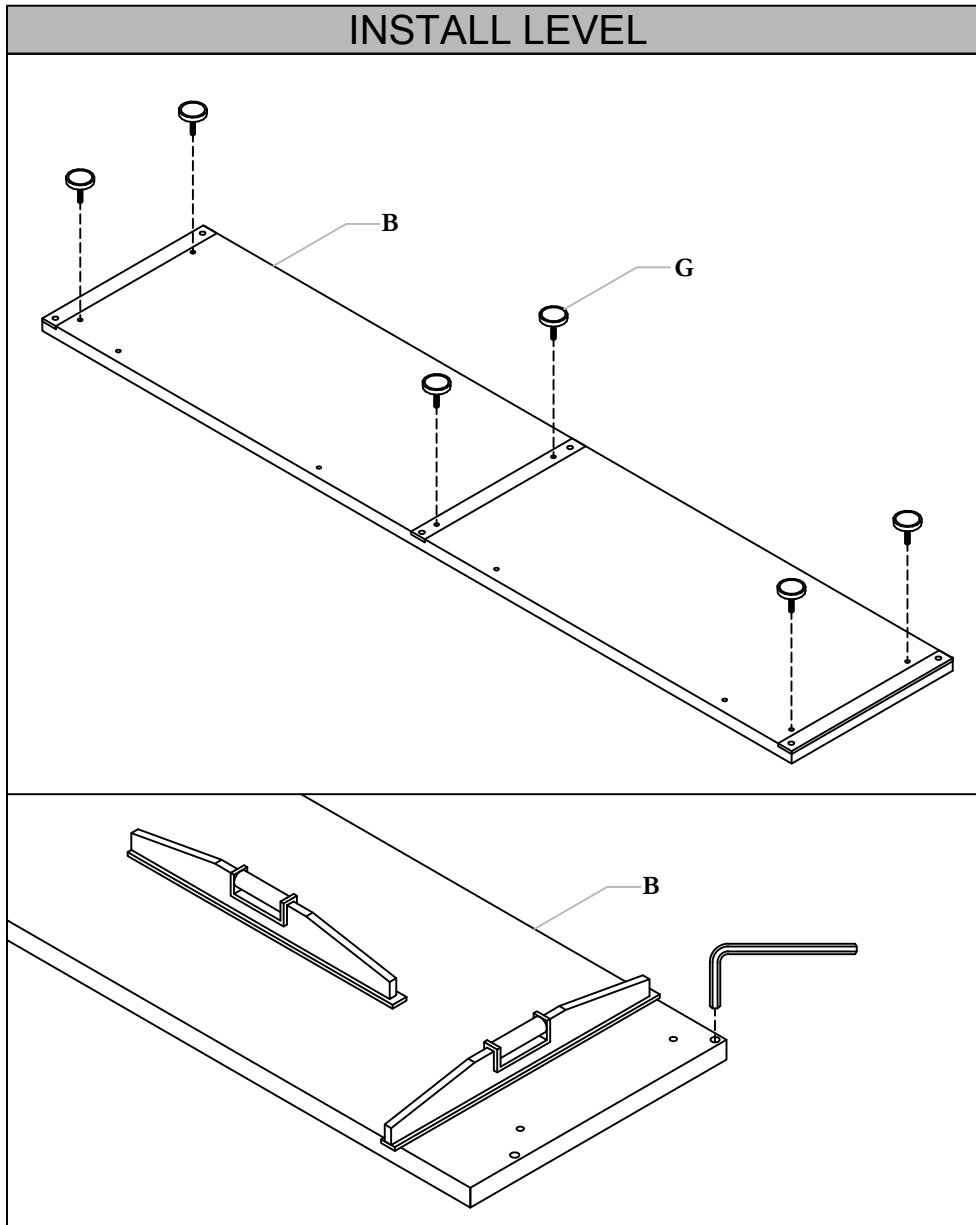


Part and Product Identification

 <b>A - Top</b> x1	 <b>B - Base Board</b> x1
 <b>C - End Frame</b> x2	 <b>D - Middle Frame</b> x1
 <b>E - Bottom Shelf</b> x2	 <b>F - Back Panel</b> x2
 <b>G - Level</b> (ZO8) x6	 <b>H - M4X7</b> (70547) x8
 <b>I - M6x25</b> (98786) x8	 <b>J - M5x35</b> (70552) x6
 <b>K - M6x8</b> (71086) x24	 <b>L - Plugs</b> x6 (98766) or (98114)
 <b>M - 4x40</b> (70308) x4	 <b>N - 4x16</b> (98822) x4
 <b>O - Anchor</b> (98753) x4	 <b>P - Brackets</b> (70195) x2
 <b>Q - M4 x 22</b> (98813) xQty Varies	

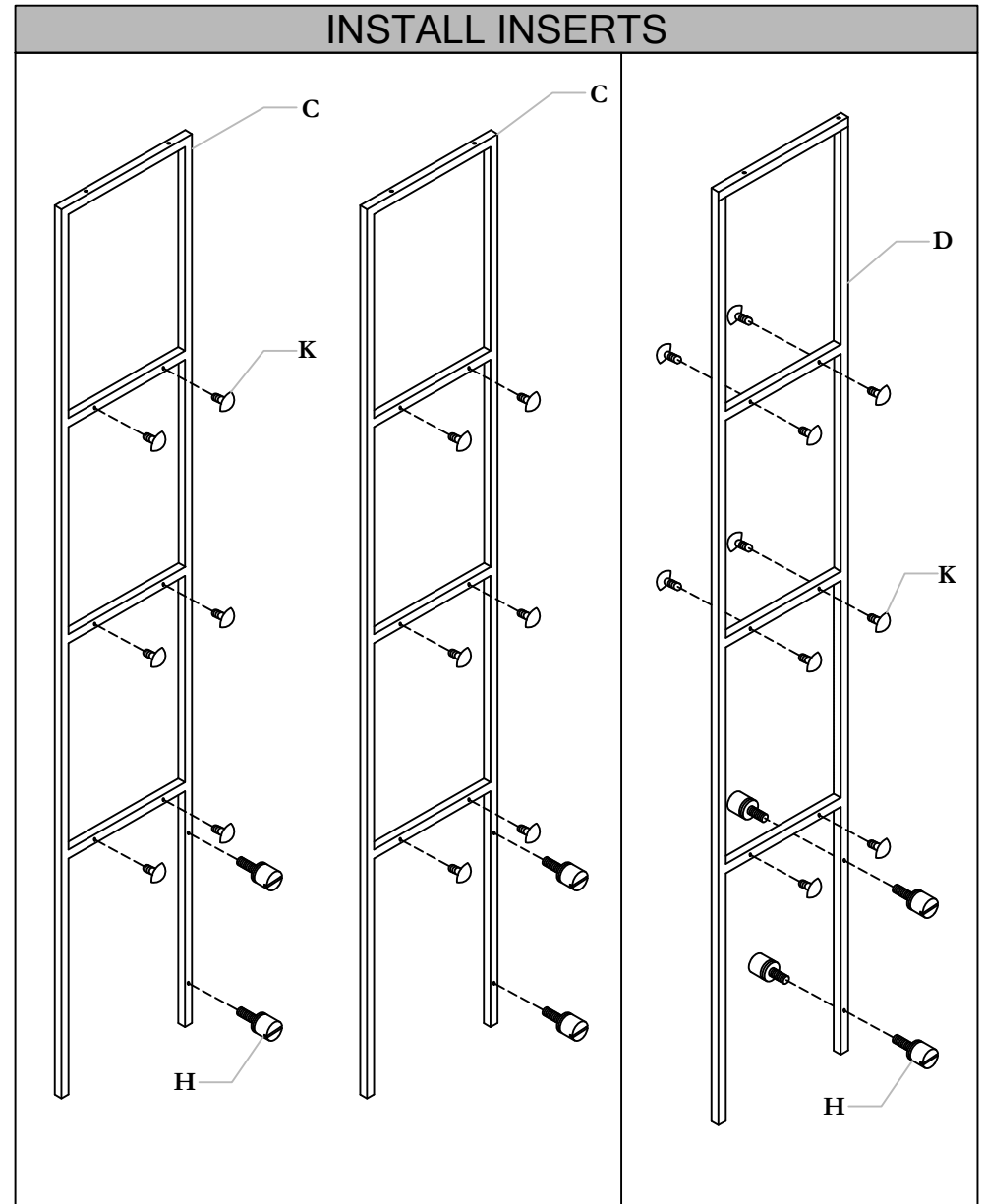


**INSTALL LEVEL**



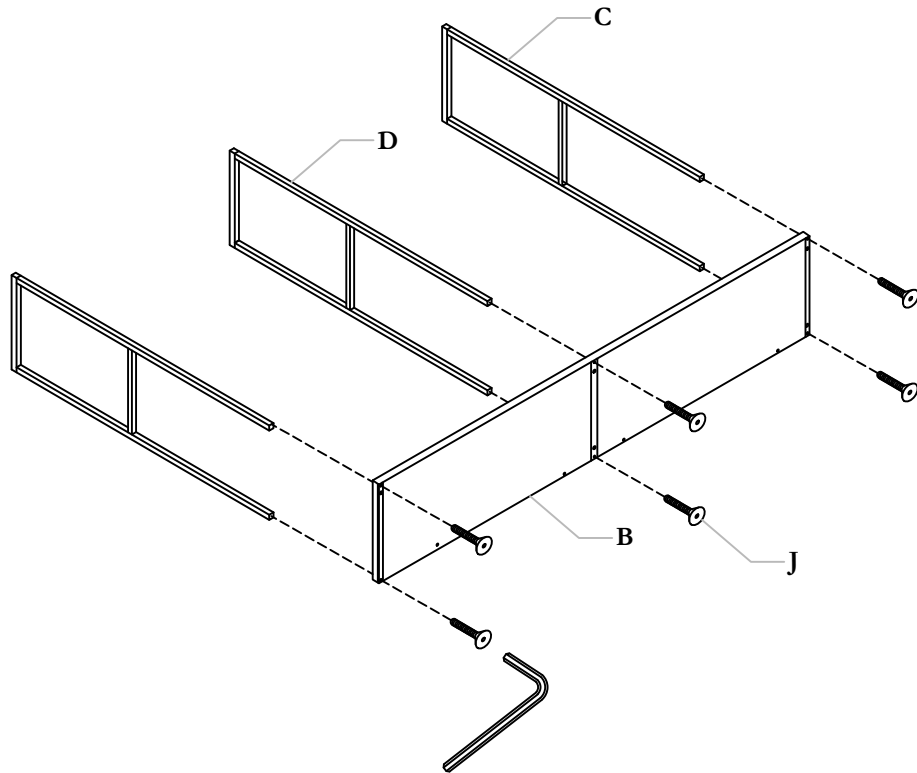
STEP 1: Install Level on the bottom side of the base board. Flip it right side up and level with an Allen Key as shown above.

**INSTALL INSERTS**



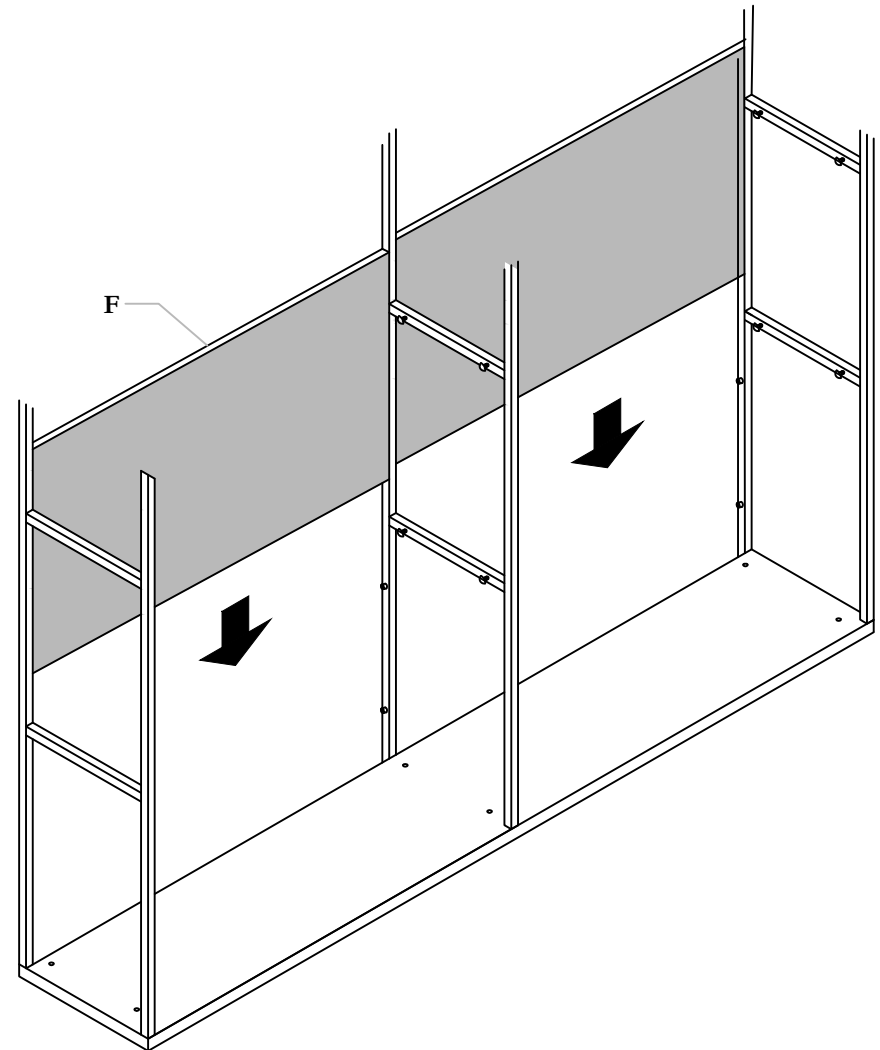
STEP 2: Install Shelf Supporting Inserts on the End Frames.

**INSTALL FRAME TO BASE**



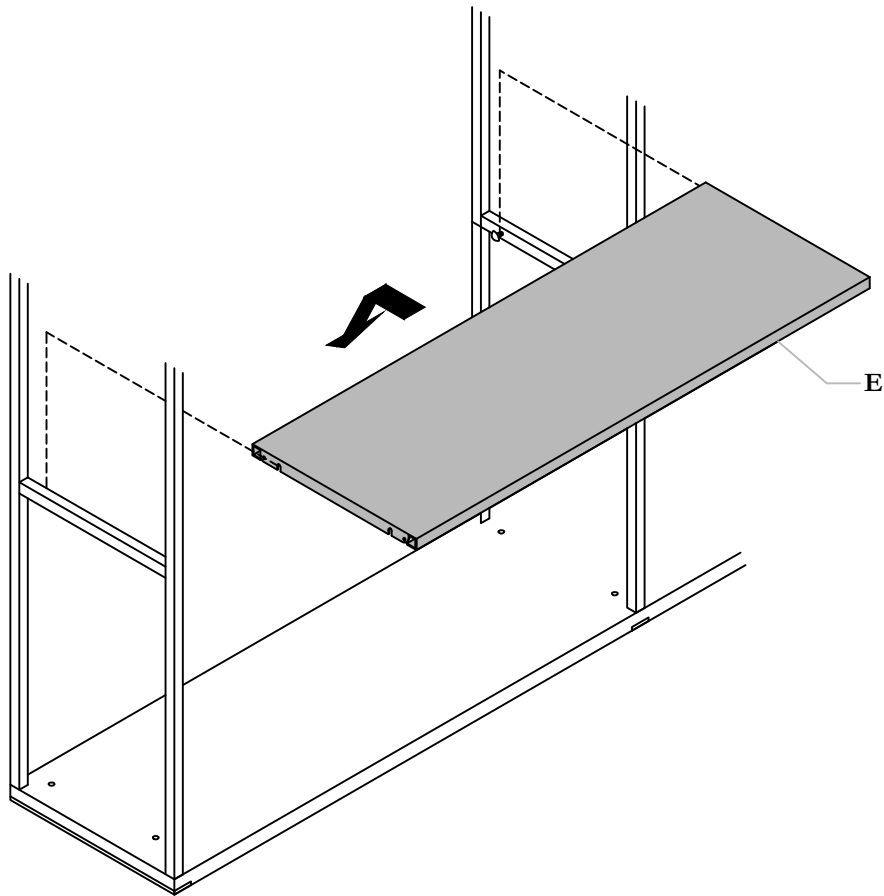
STEP 3: Install and secure the frame.

**INSTALL BACK PANELS**



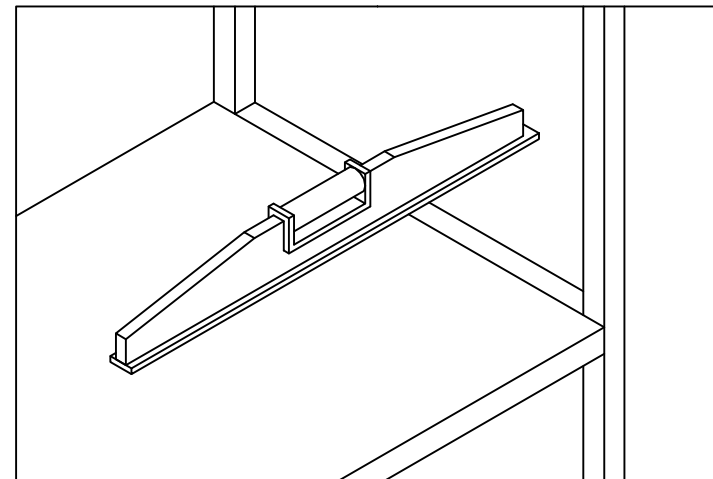
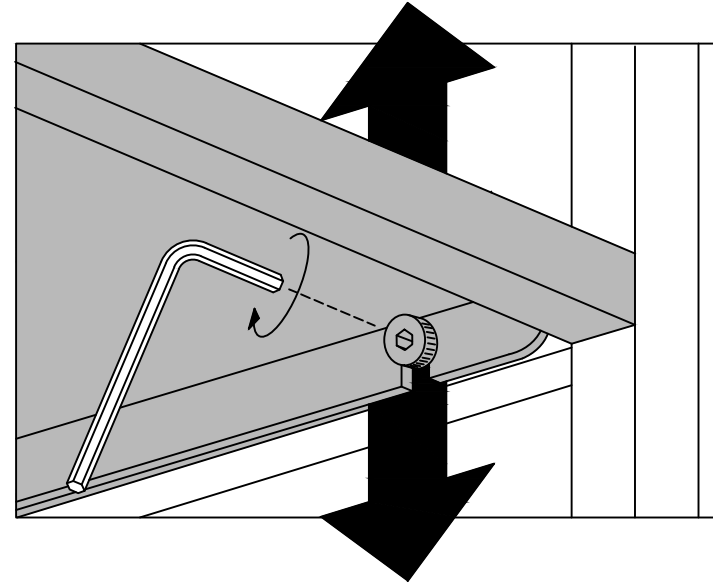
STEP 4: Install Back Panels as shown above.

**INSTALL SHELVES**



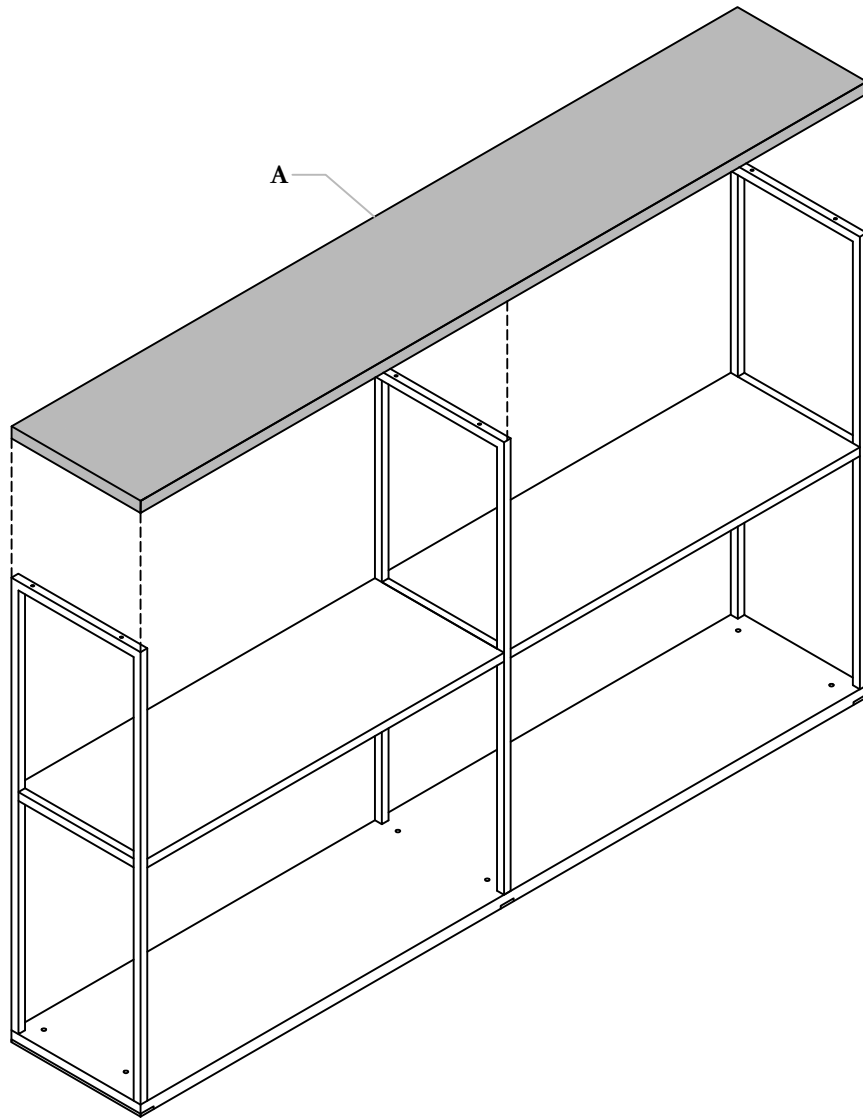
STEP 5: Install Shelf as shown above.

**LEVEL AND SECURE**



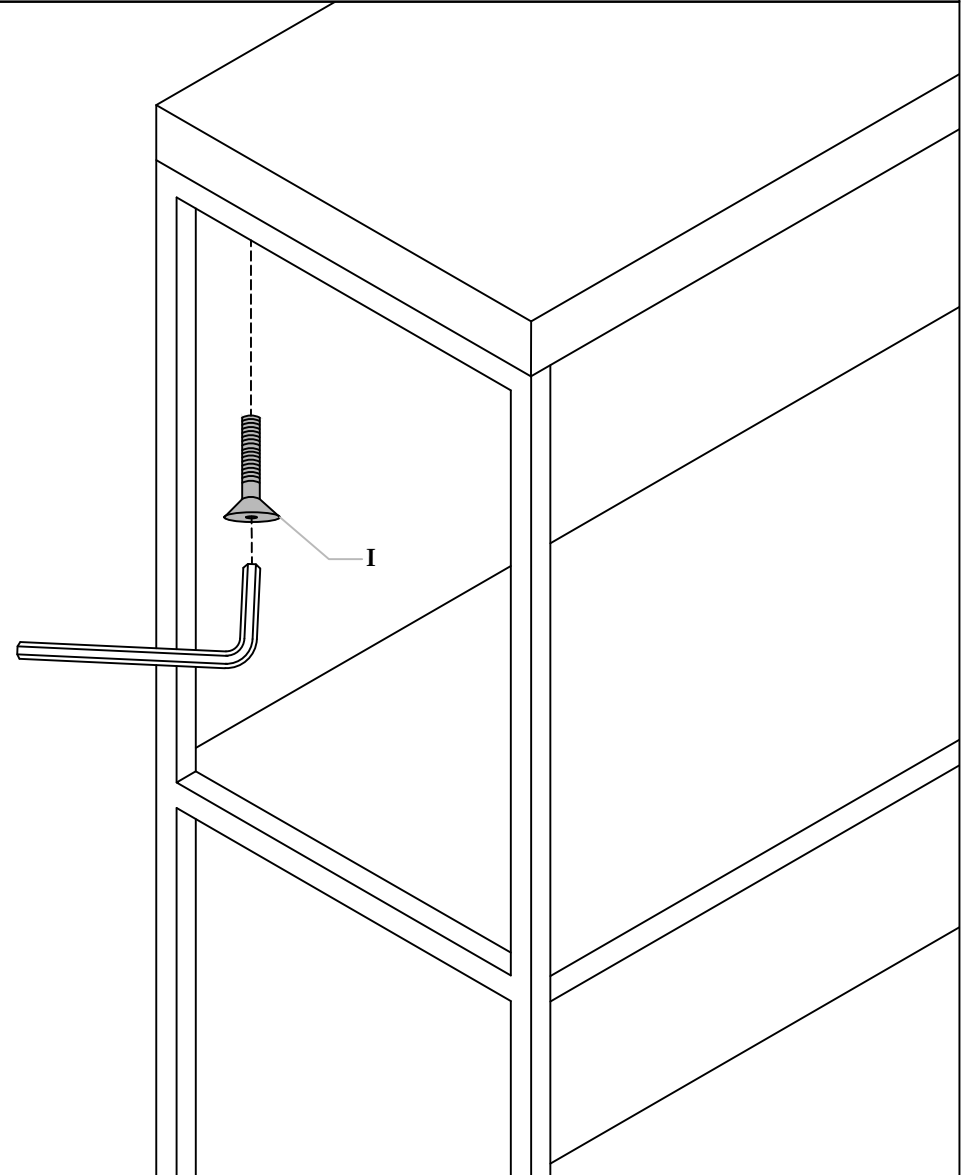
STEP 6: Level and Secure the Shelf.

**INSTALL TOP SHELF**



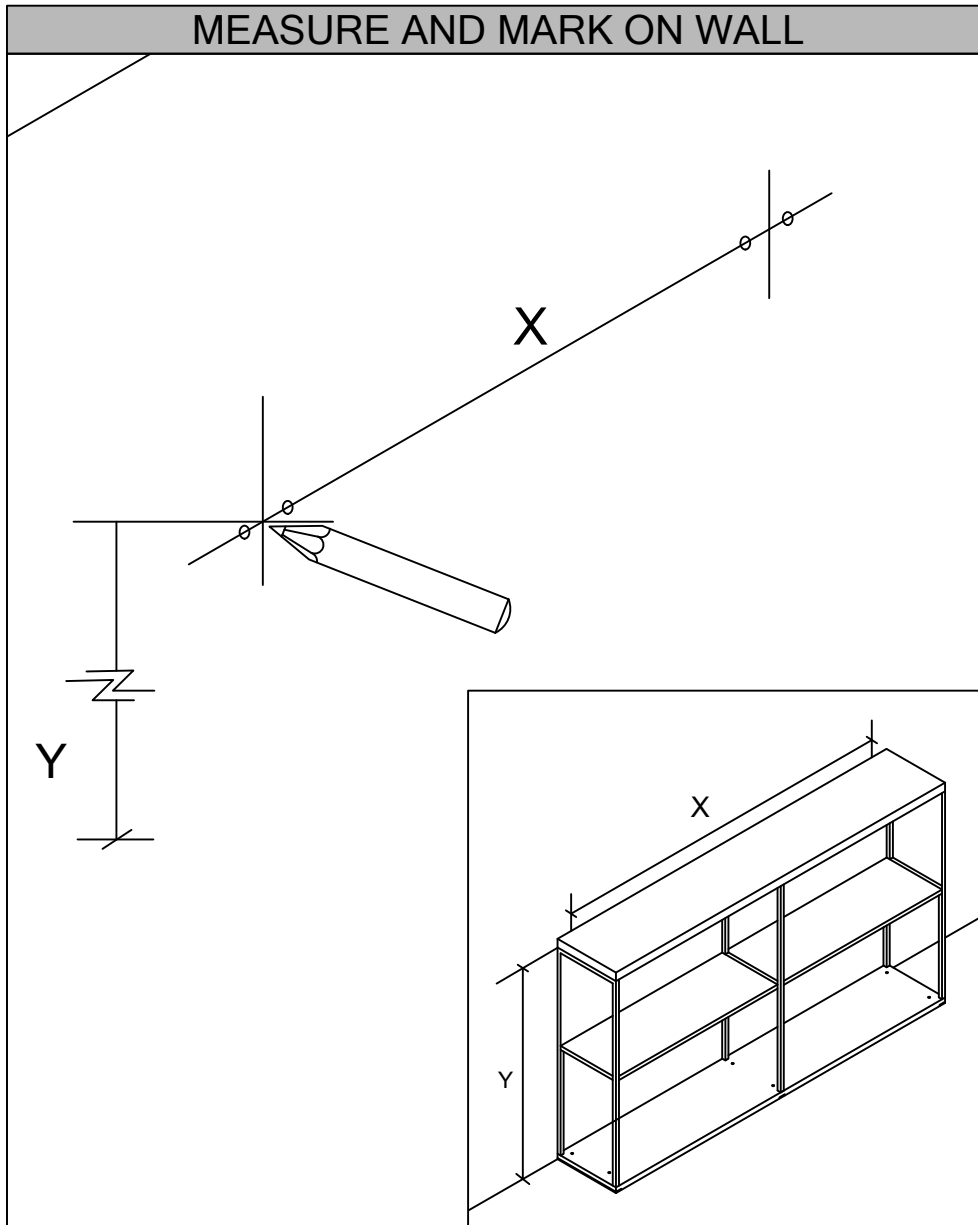
STEP 7: Install Top Shelf as shown above.

**SECURE TOP SHELF**



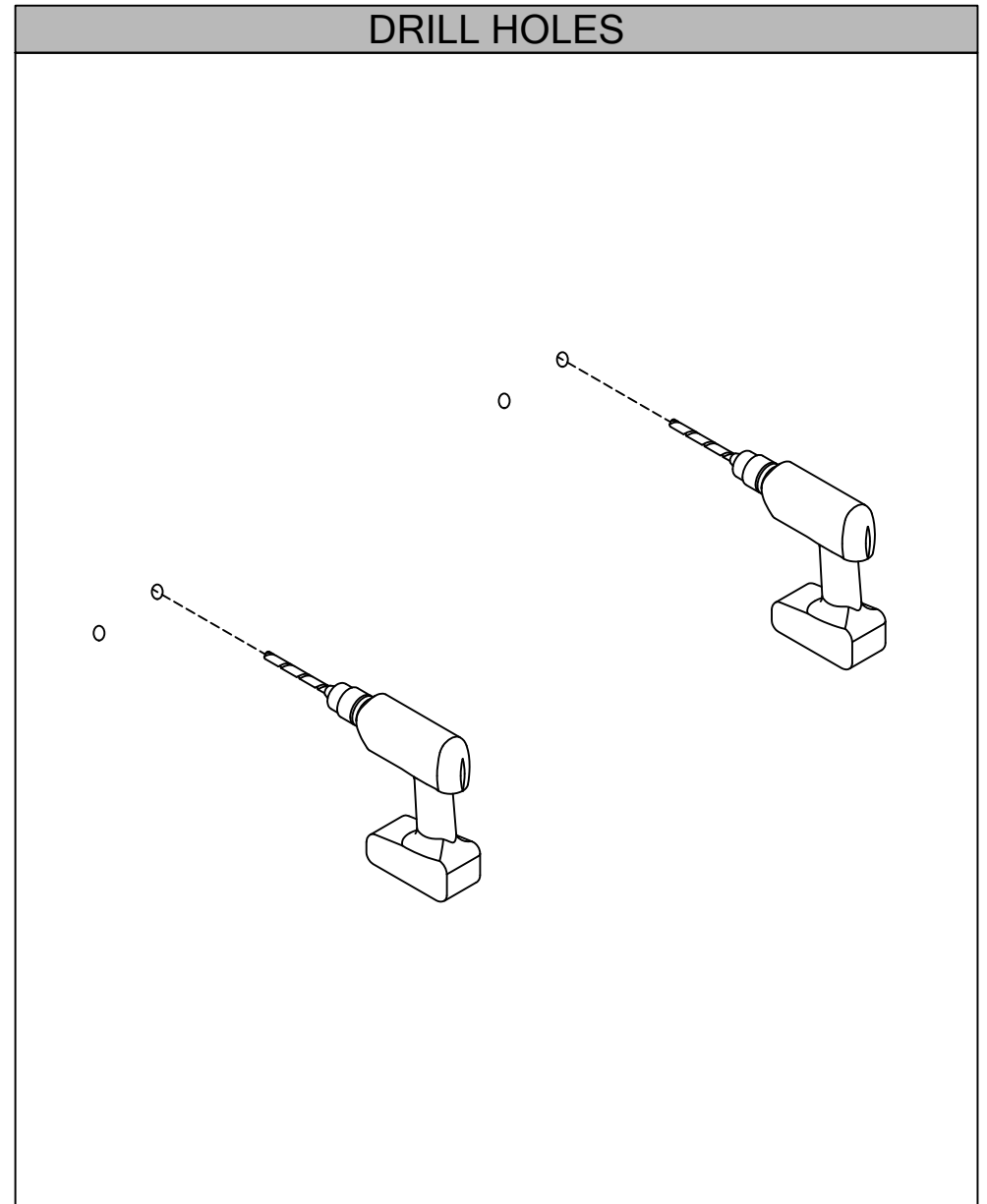
STEP 8: Secure Top Shelf as shown above.

**MEASURE AND MARK ON WALL**



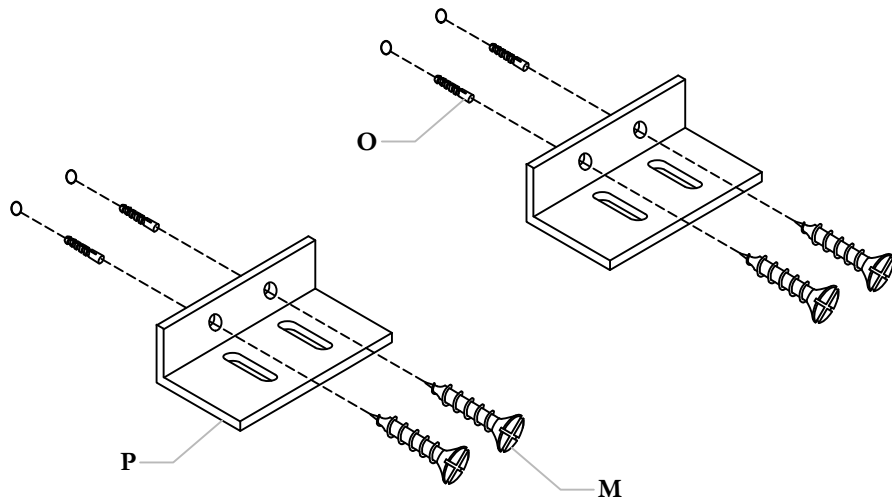
STEP 9: Measure and mark the location of the holes.

**DRILL HOLES**



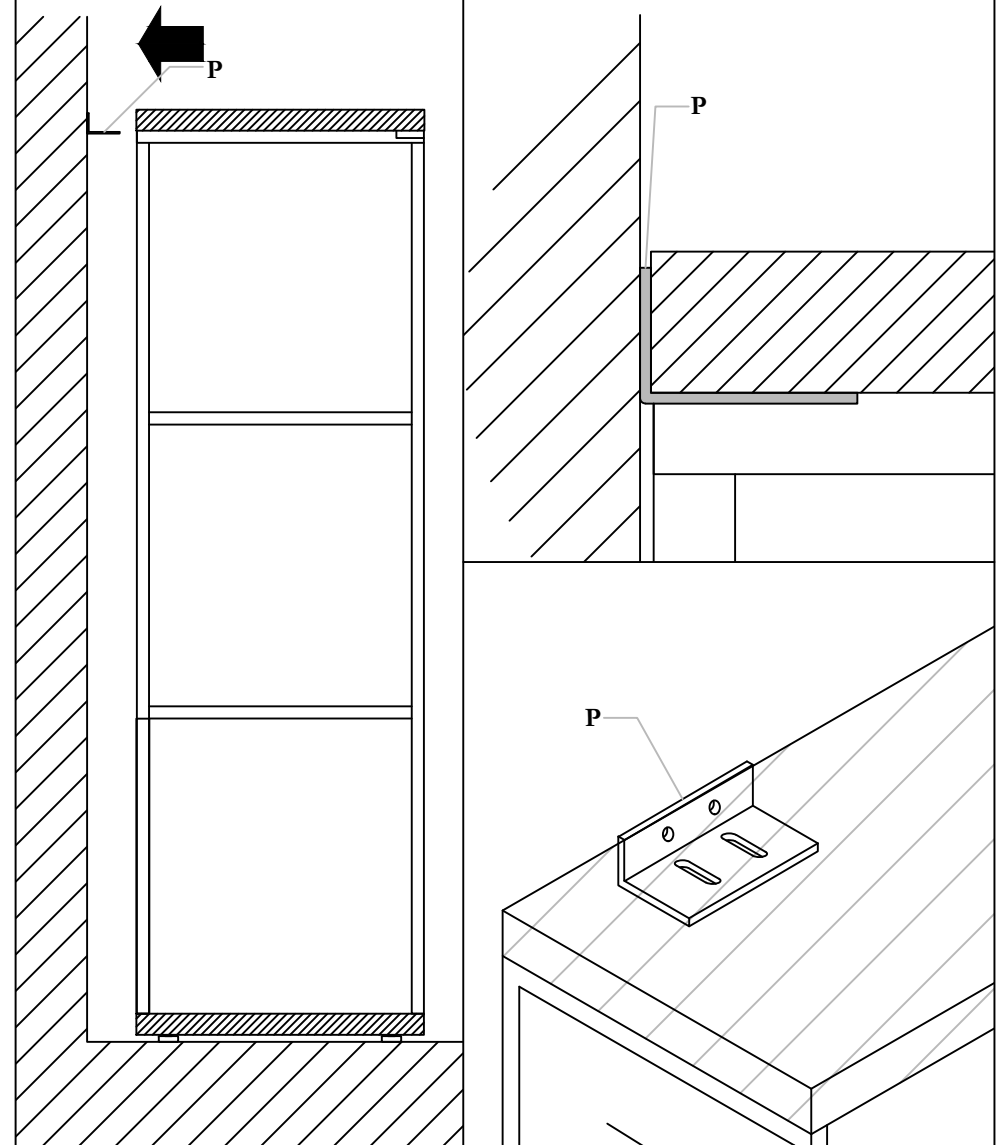
STEP 10: Drill pilot holes on the wall to prepare for installing the brackets.

**INSTALL BRACKETS ONTO THE WALL**

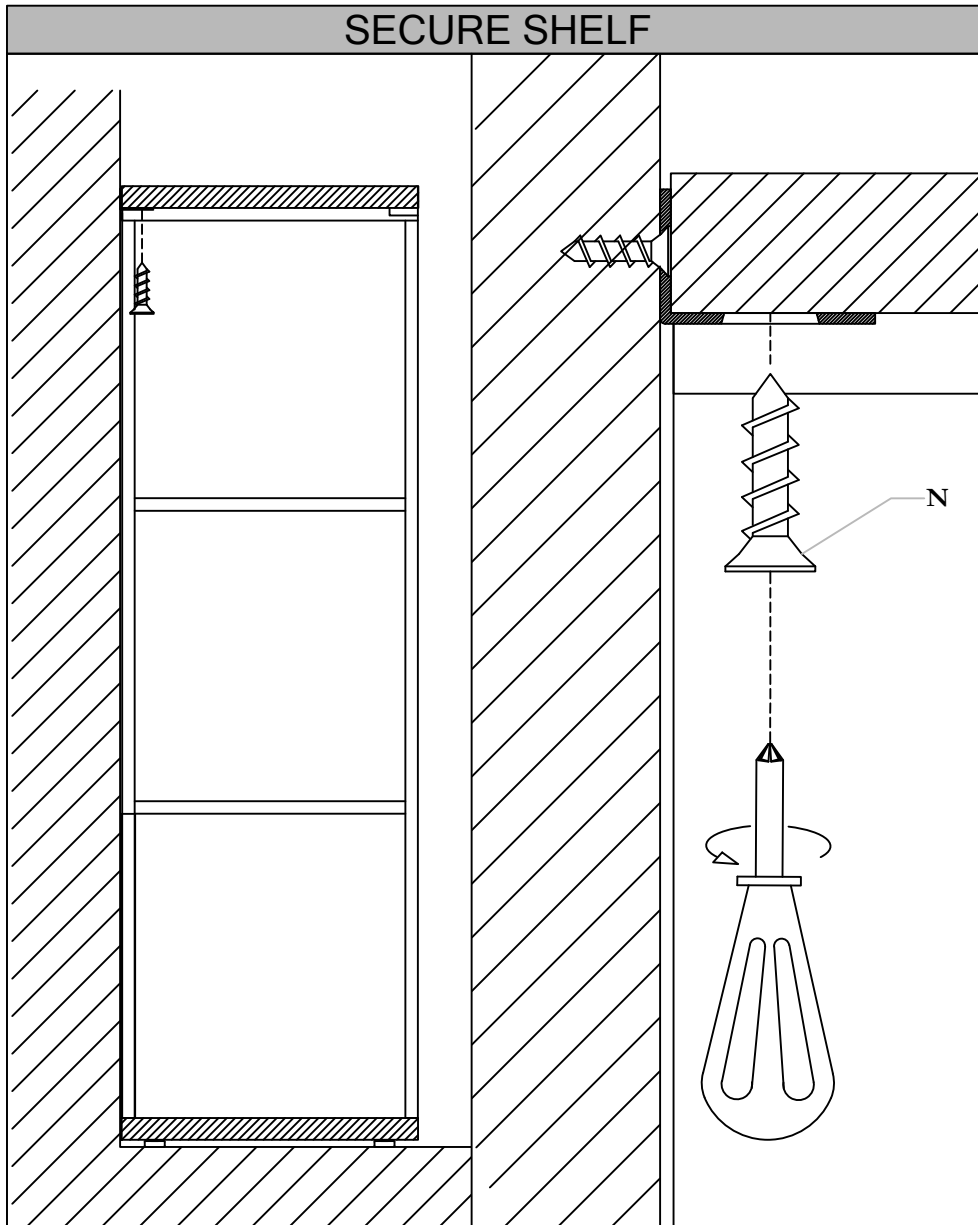


STEP 11: Install brackets using anchors and screws.

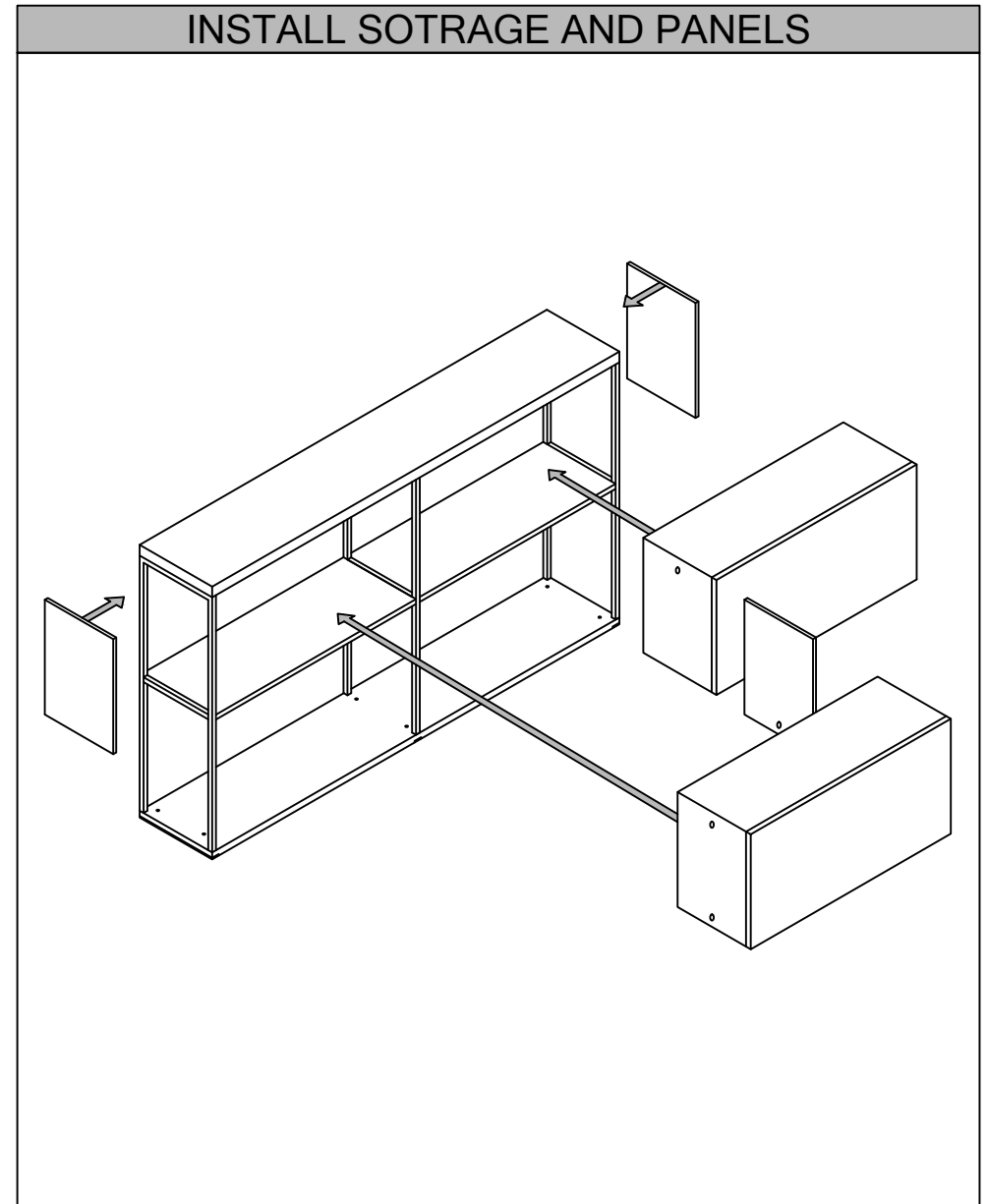
**INSTALL ASSEMBLED SHELF**



STEP 12: Slide the assembled Shelf onto the Brackets installed on the wall.

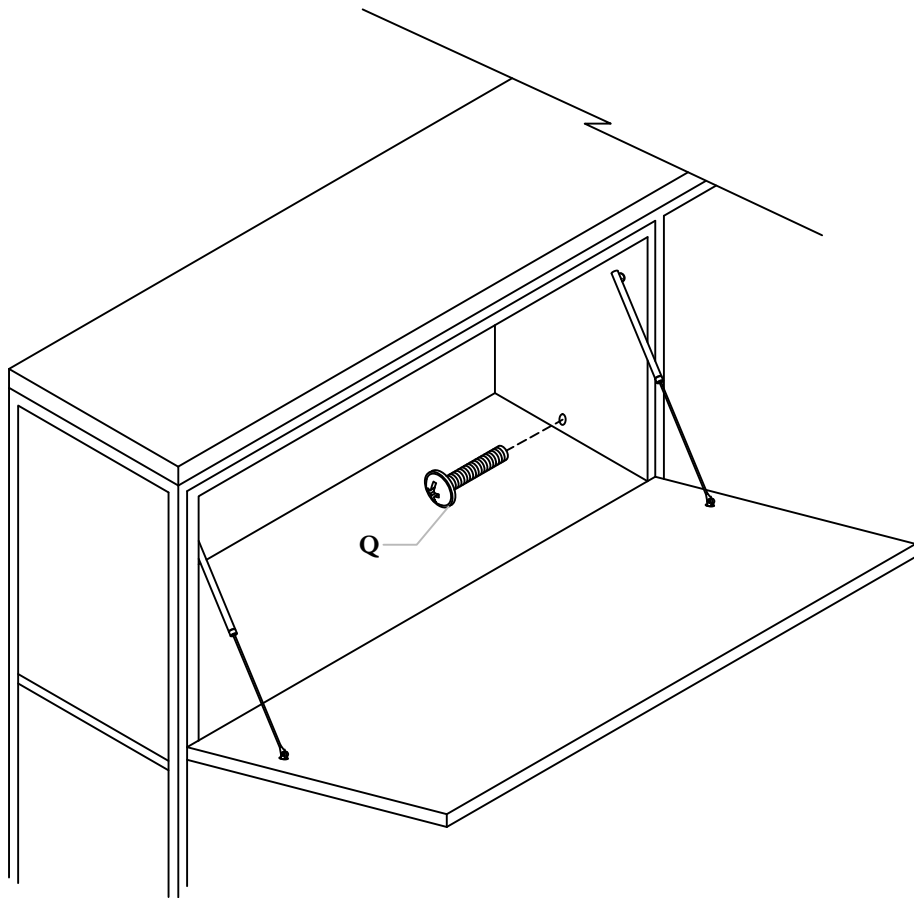


STEP 13: Secure the Shelf onto the Bracket as shown above.



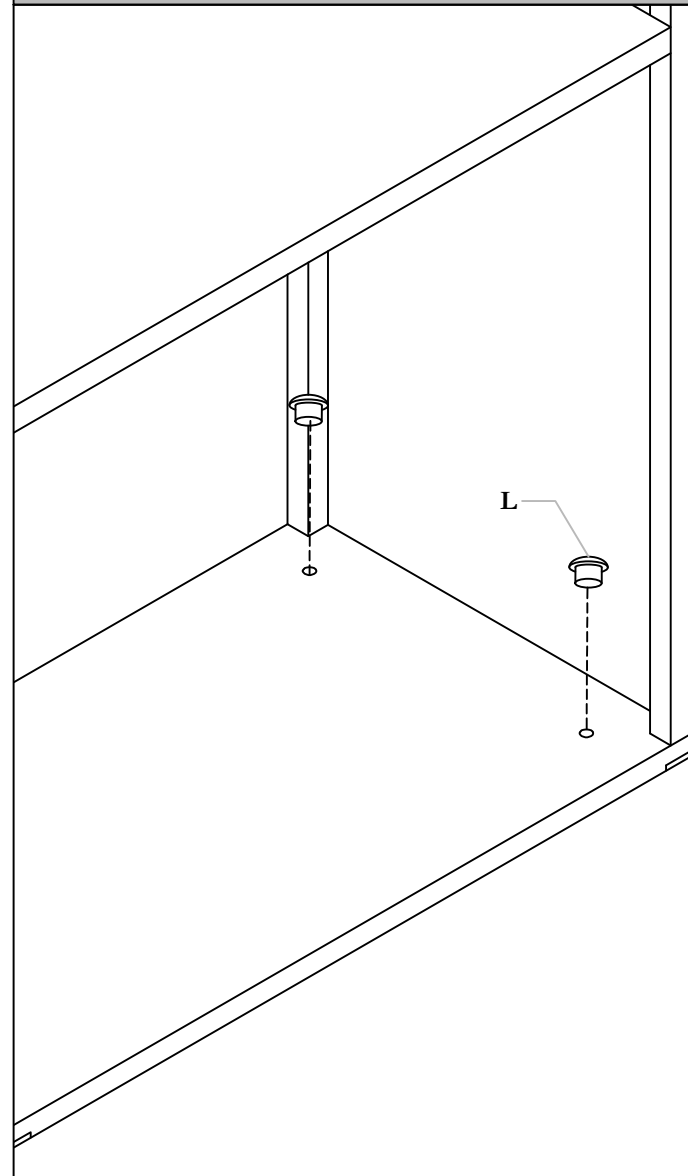
STEP 14: Install Storage as shown above.

**SECURE STORAGE**



STEP 15: Secure the Storage by fastening the screw on the inside wall of the storage.

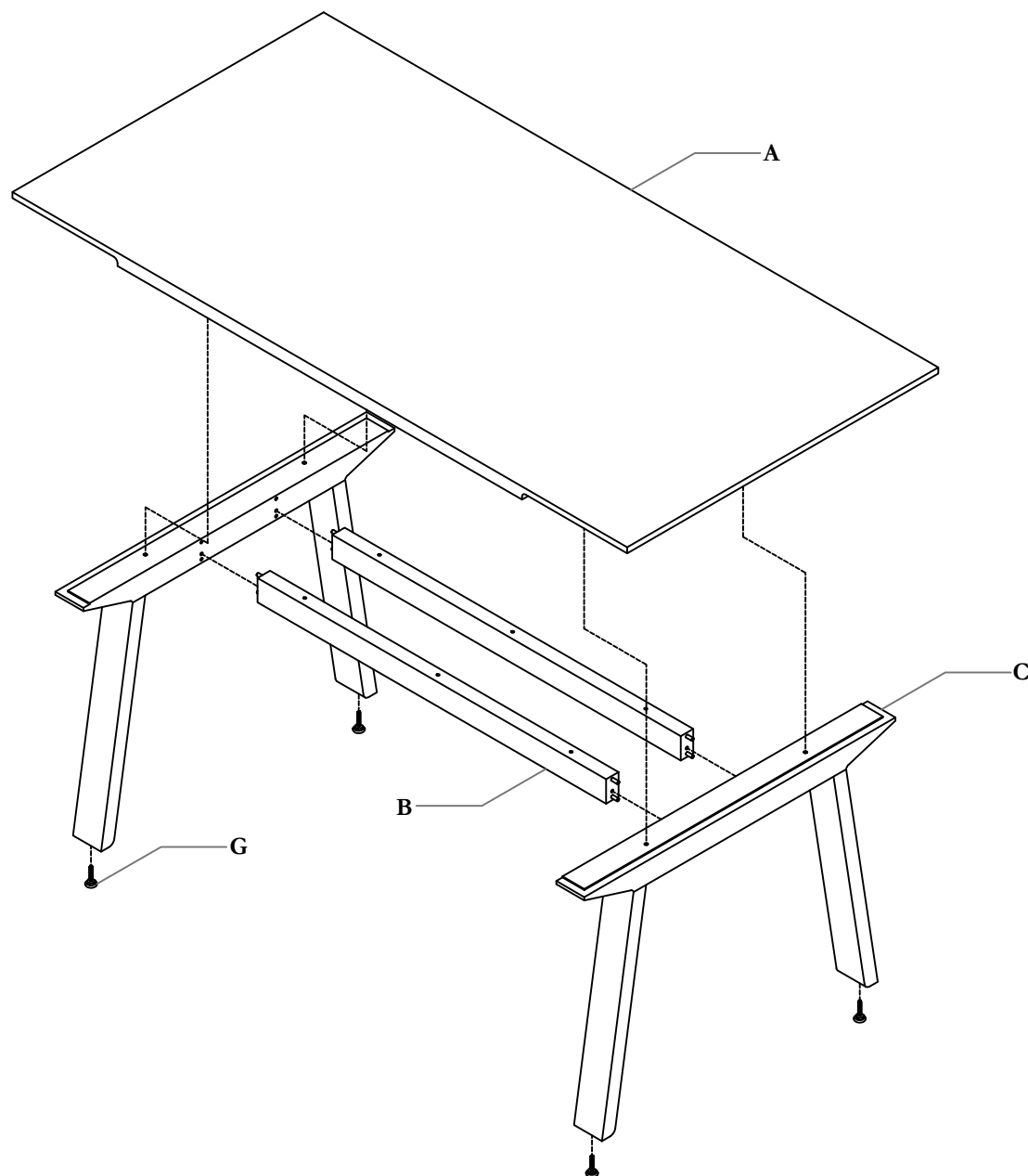
**INSTALL INSERTS**



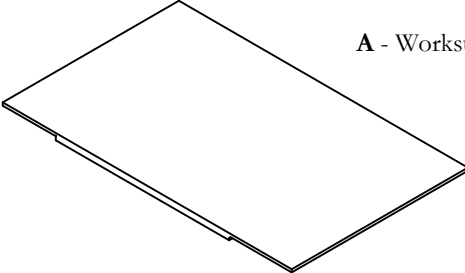
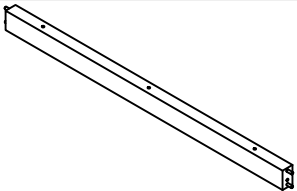
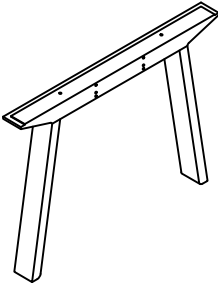
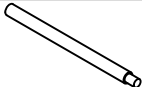





STEP 16: Install the Insert in the hole shown above.



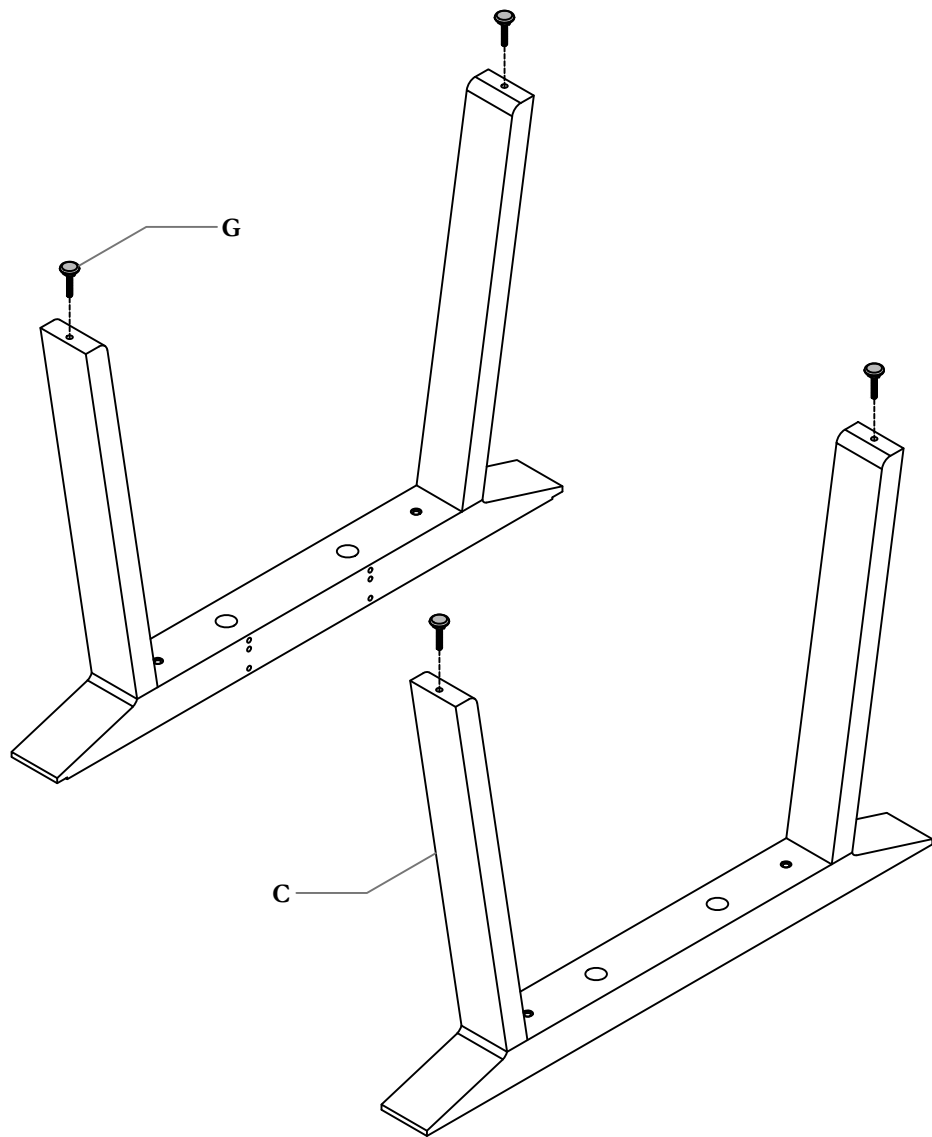
Mitis Tables (PCMT)



Part and Product Identification

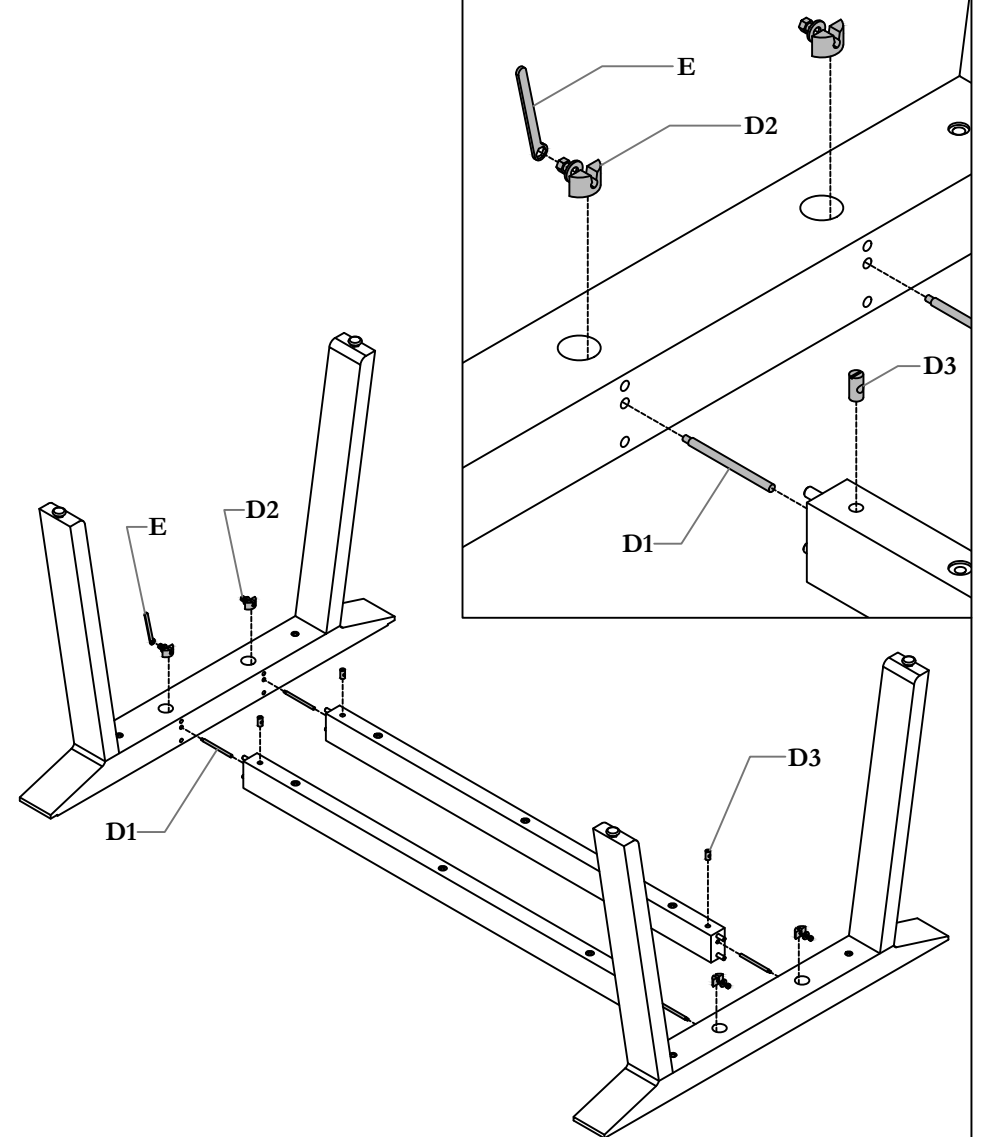
		<b>A</b> - Worksurface x1
		<b>B</b> - Beam x2
		<b>C</b> - Leg x2
<b>D</b> - Hafele Universal Connector (B57-0350) x4		<b>D1</b> - Stud Bolt M6 x1
		<b>D2</b> - Pressure Plate x1 Washer x1 HexNut M6 x1
		<b>D3</b> - Cross Nut Bolt M6 x1
		<b>E</b> - Box End Wrench, 10mm (F57-0003) x1
		<b>F</b> - Hex Bolt x80 Nickel (E56-0074/2) x10
		<b>G</b> - Levelers - M8 (B57-0360) x4

**INSERT INSERTS**



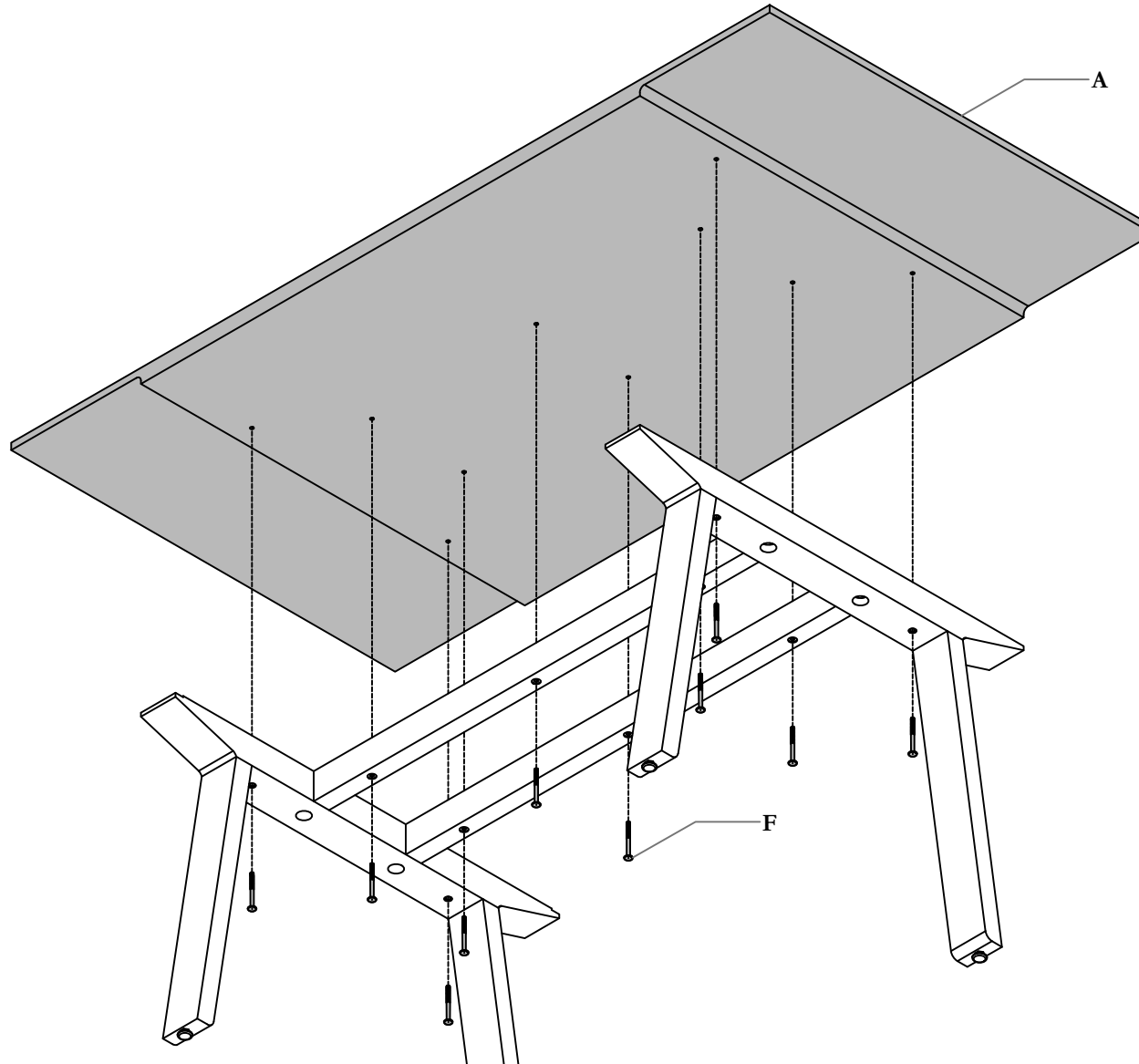
STEP 1: Install Inserts.

**CONNECT FRAMES AND BEAMS**



STEP 2: Assemble Frames.

**INSTALL WORKSURFACE**



STEP 3: Install work surface as shown above.