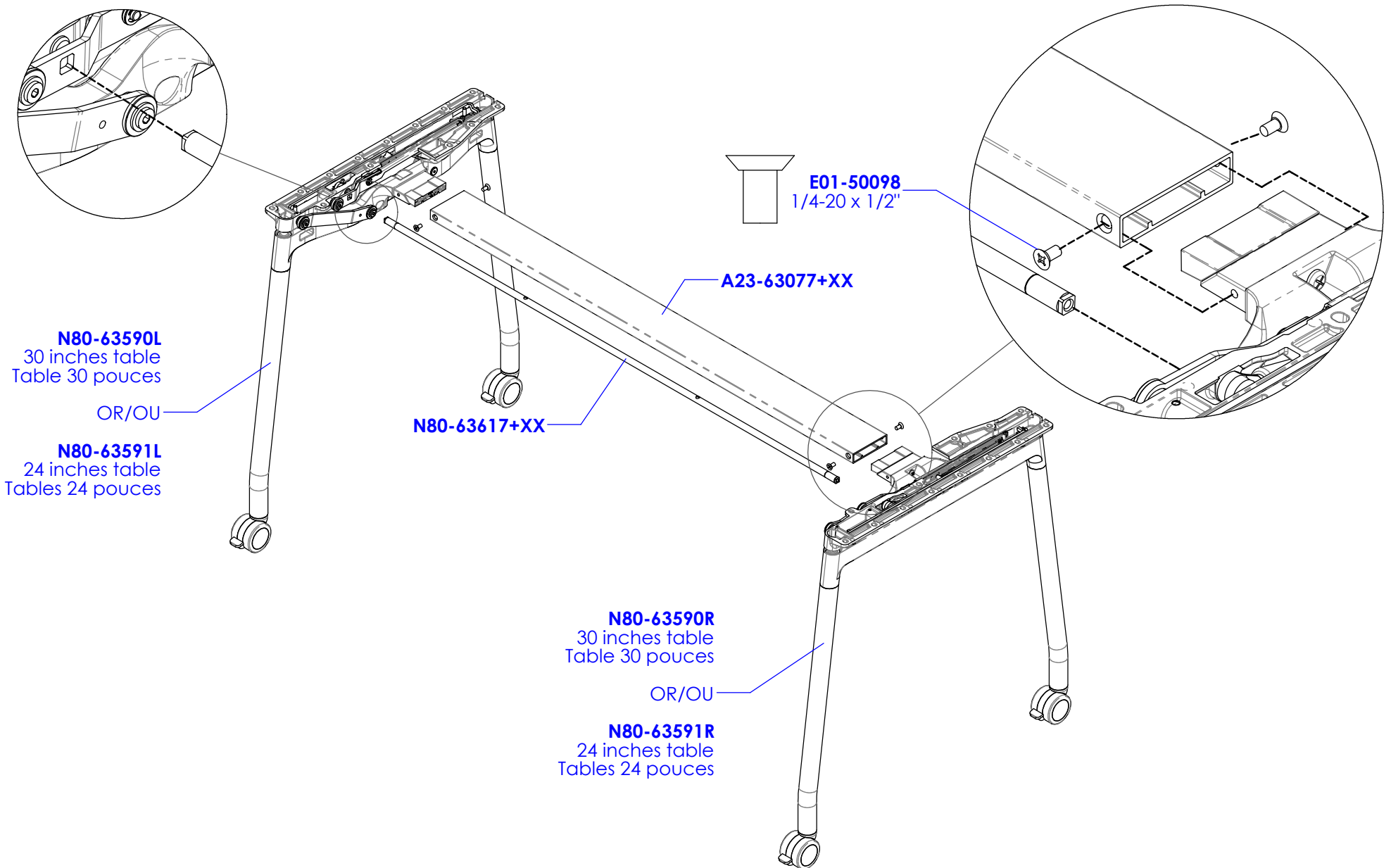


## index

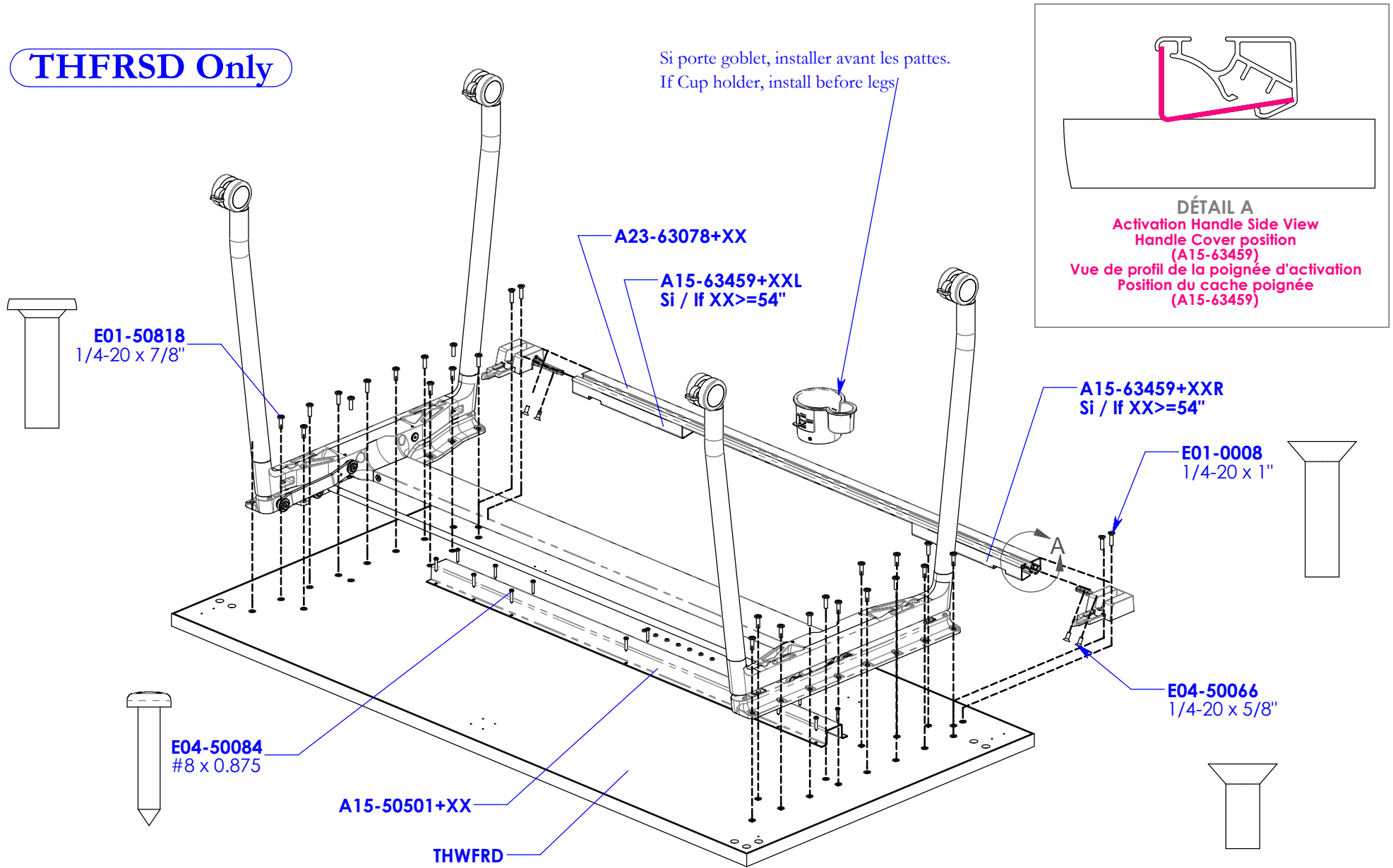
## By Section

Product Name	Product Code	Guide No.	Last Updated
<b>learning tables</b>			
Rectangular Flip-Top Table	THFRS	THE_27	Oct. 2020
Rectangular Flip-Top Table with Glass Top	THFRG		
High Rectangular Table	THTS	THE_01	June 2019
High Rectangular Team Table	THTD		
Rectangular Instructor Desk	THPD	THE_02	Aug 2021
Transition Instructor Desk with Fixed Lectern	THPT		
Lectern Podium	THPL	THE_03	Jan. 2014
<b>supports &amp; accessories</b>			
Adaptable Leg	THCLA	THE_04	June 2019
Modesty Panel – Solid	THCMS	1046	Sep. 2015
Modesty Panel – Metal	THCMM		
Modesty Panel for Connecting Trapeze Worksurface – Solid	THCCS		
Modesty Panel for Connecting Trapeze Worksurface – Metal	THCCM		
Modesty Panel for Flip-Top Table – Solid	THCFS	1204	June 2021
Modesty Panel For Flip-Top Table – Metal	THCFM		
Pivoting Lectern	THCWP	THE_05	May 2016
Cup Holder	THCWC	THE_06	May 2014
Tablet Holder	THCWT	THE_07	Dec.2014
<b>collaboration tools</b>			
Mobile Markerboard	THMM	THE_26	Apr. 2016
<b>study tables</b>			
Hub Table – Single-Sided	THHS	THE_08	June 2018
Hub Table – Double-Sided	THHD		
Library Table – Single-Sided	THLS	THE_09	May 2016
Library Table – Double-Sided	THLD		
Peninsula Worksurface for Library Table – Double-Sided	THLW	THE_10	May 2016
ADA Extension for Library Table – Single-Sided	THES	THE_11	June 2021
ADA Extension for Library Table – Double-Sided	THED		
Square Post Legs	THLBQ	THE_12	Oct 2014
End Gable – Solid	THLBG	THE_13	Jan. 2014
Rectangular Base	THLBR	THE_14	Jan. 2014

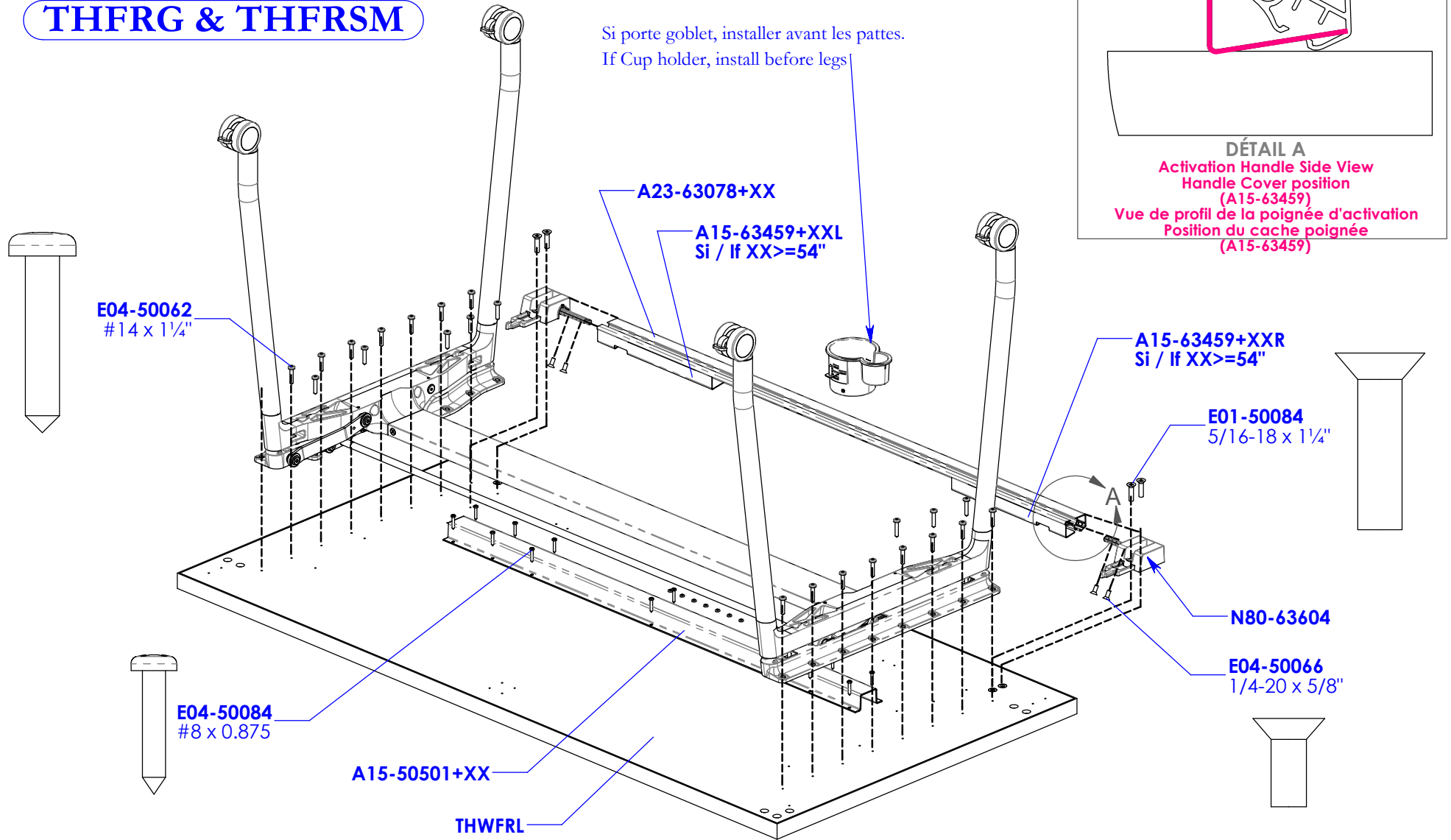
Product Name	Product Code	Guide No.	Last Updated
<b>carrels &amp; screens</b>			
Carrel Supporting End Screen – Solid	THSEE	THE_15	Dec. 2018
Carrel End Screen – Glass	THSEG	THE_16	Sep. 2018
Carrel End Screen – Solid	THSES		
Carrel Dividers – Single-Sided	THSCS		
Carrel Dividers – Double-Sided	THSCD		
ADA Carrel Dividers – Single-Sided	THSDS	THE_17	Jan 2014
ADA Carrel Dividers – Double-Sided	THSDD		
Add-On Screen – Glass	THSAG	THE_18	June 2014
Add-On Screen – Solid	THSAS	THE_19	June 2016
Add-On Framed Screen – Glass	THSFG	THE_20	June 2016
Add-On Framed Screen – Fabric	THSFF		
Back Table Screen – Glass	THSTBG	THE_28	Apr. 2021
Back Table Screen – Fabric	THSTBF		
Lateral Table Screen – Glass	THSTLG		
Lateral Table Screen – Fabric	THSTLF		
<b>lighting, electrics &amp; communications</b>			
LED Reading Lamp	THERL	THE_21	June 2016
Power Cube	THEWPC		
Power/Data Center	THEPDC	1297	May 2018
Communication Box	THEPD	1098	June 2021
Power Box	THEPB	THE_22	Apr. 2019
Power Harness	THECP		
Base Feed	THECB		
Power Harness Extension	THECE		
Power Kit – Library Table	THEPKL	THE_25	June 2021
Power Kit – Peninsula Worksurface for Library Table	THEPKP		
Power Kit – ADA Extension for Library Table	THEPKA		
Base Feed Power Pole	THEMP	1099	June 2015
Floor Box Cover	THEMB	THE_23	Jan 2014
Cable Tray	THEMW	1205	Jan 2014
Square Grommet	THEGQ	THE_24	Jan 2014

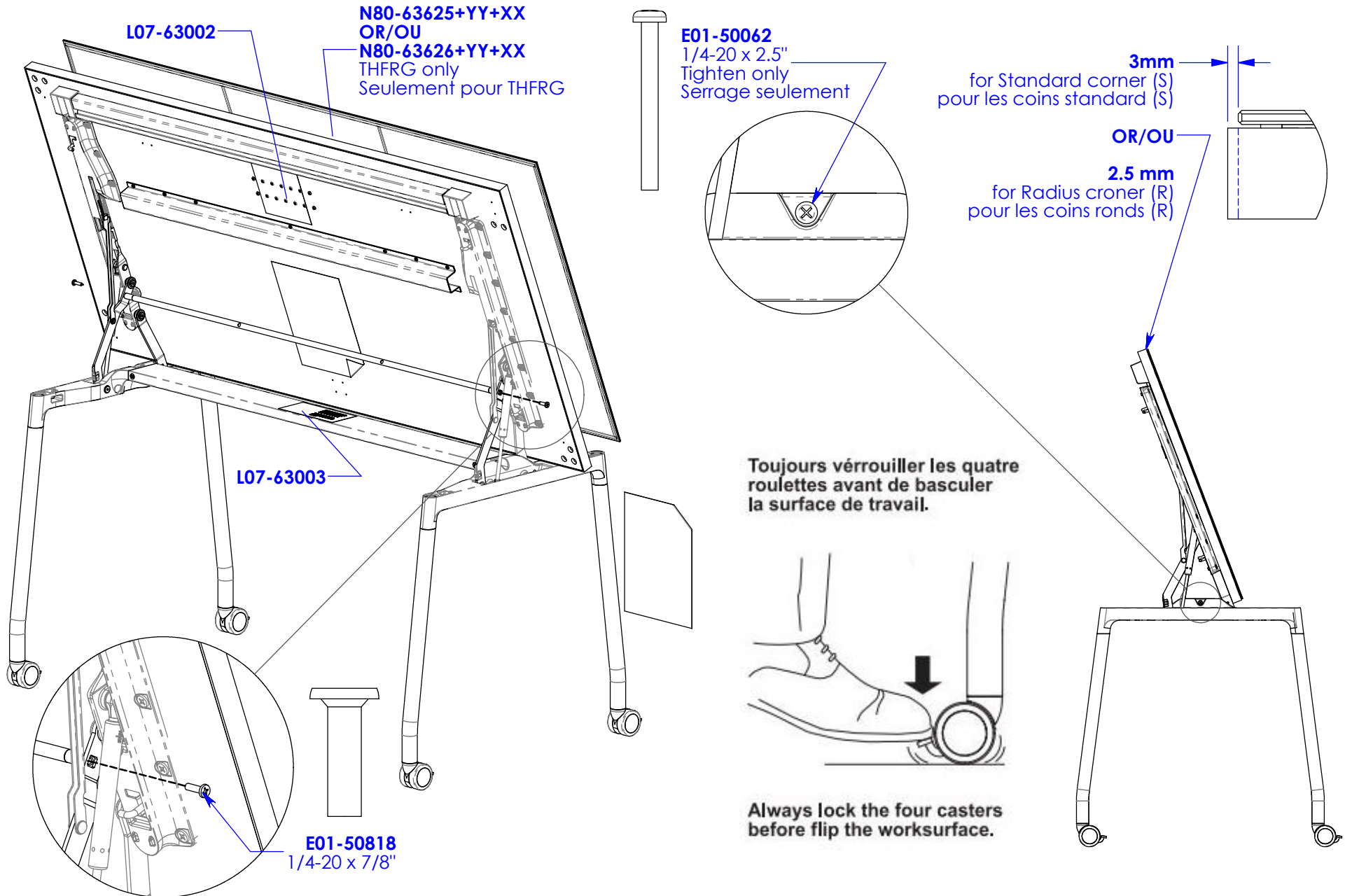


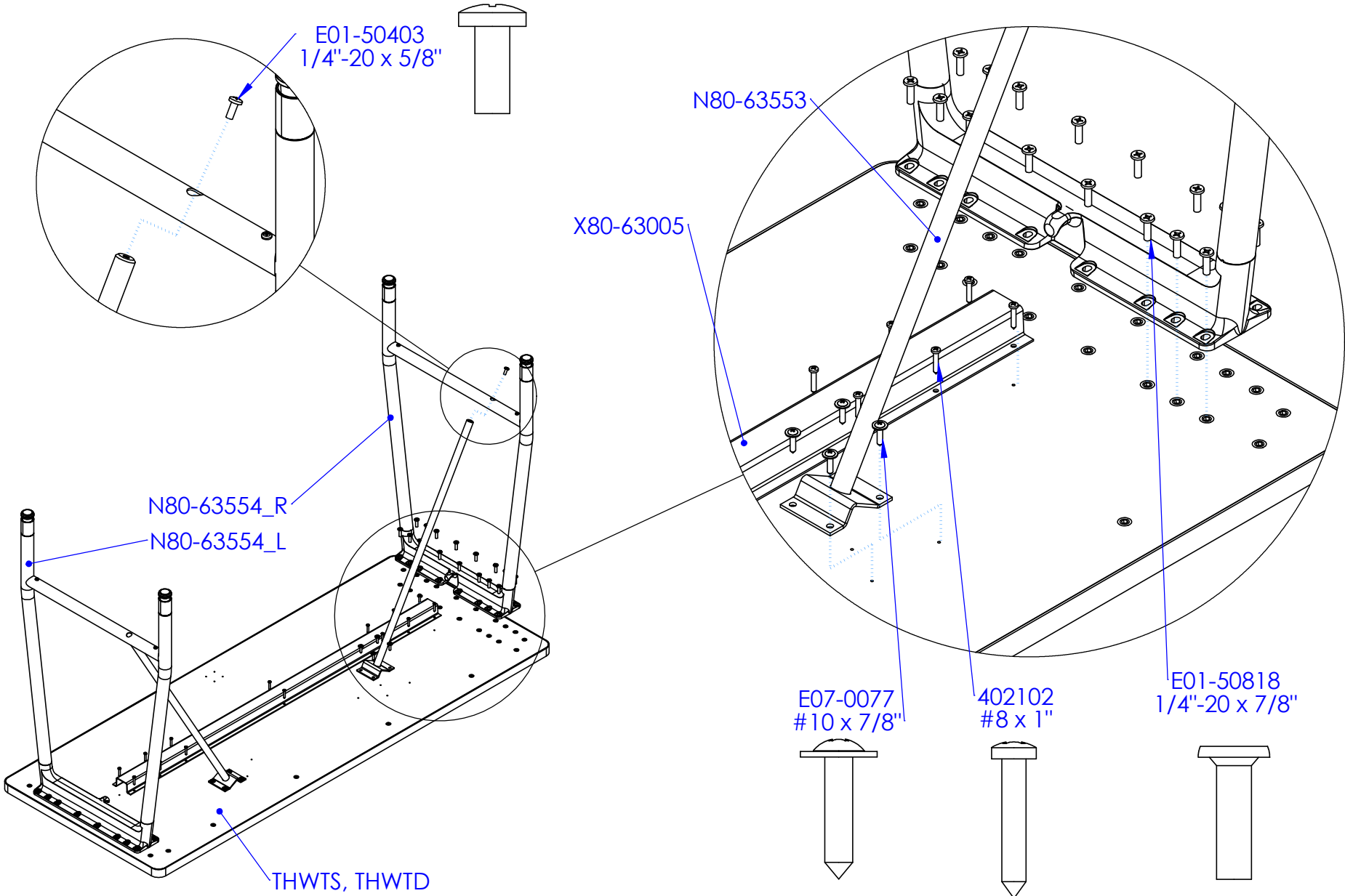
## THFRSD Only

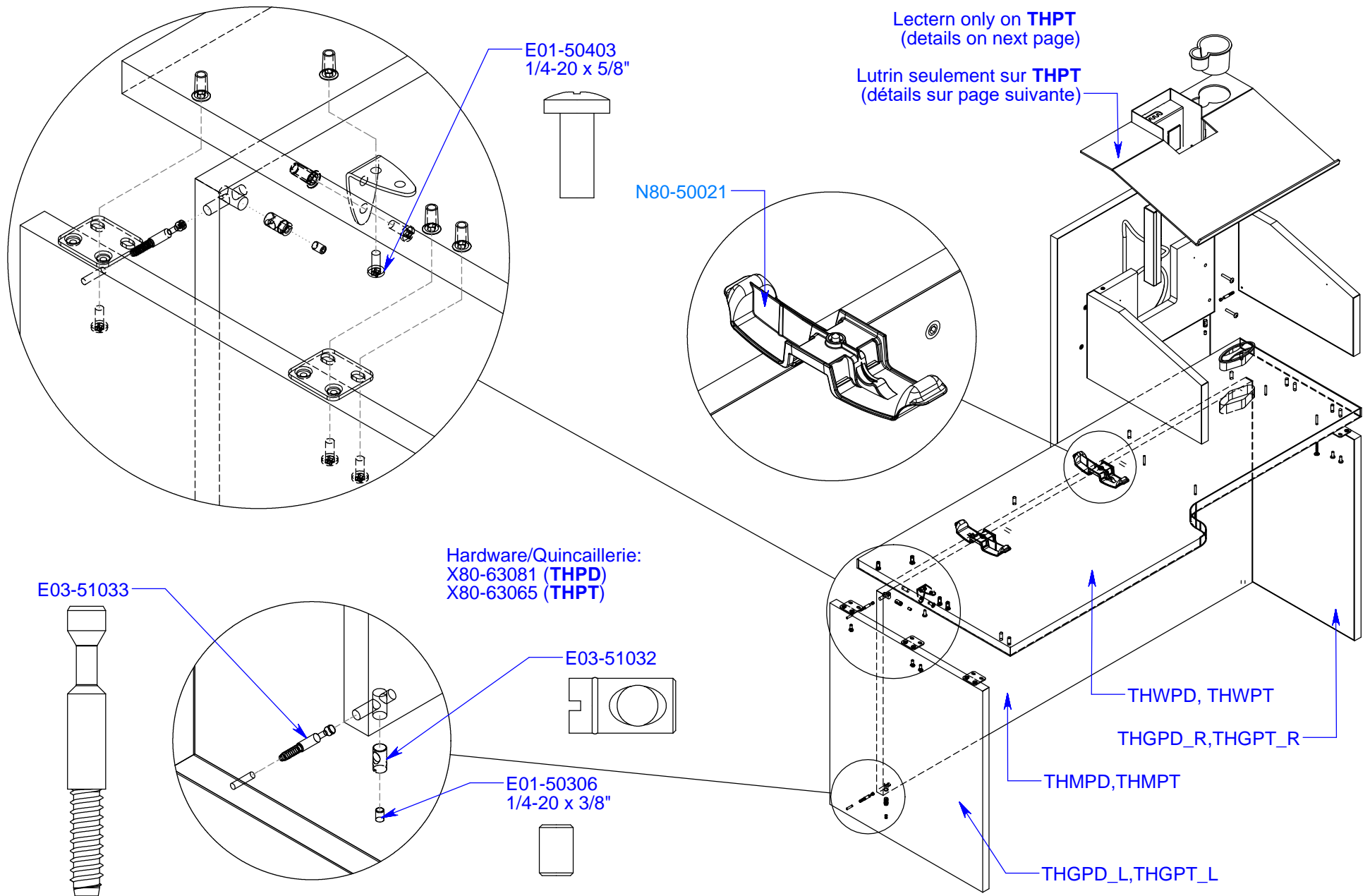


## THFRG & THFRSM

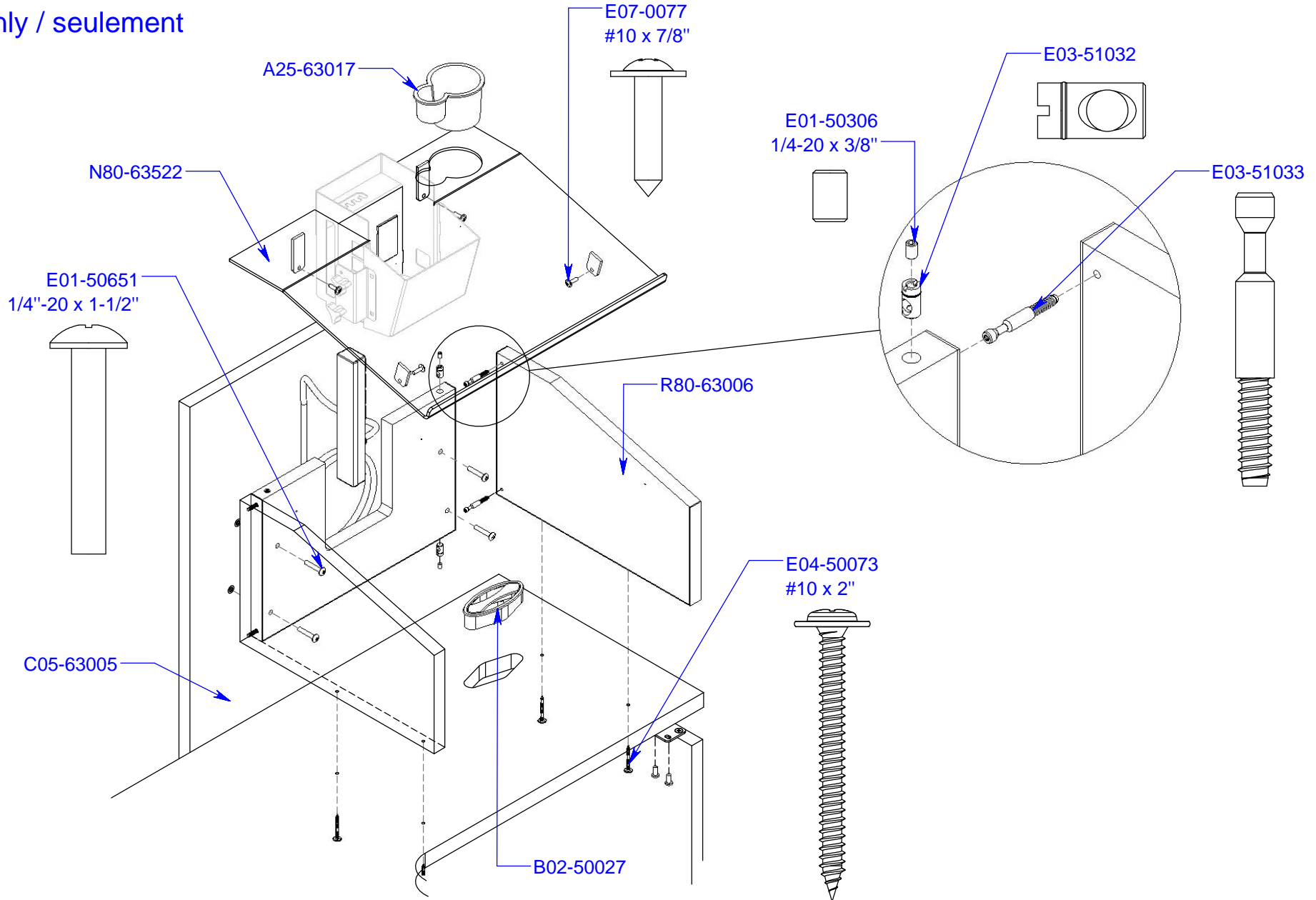




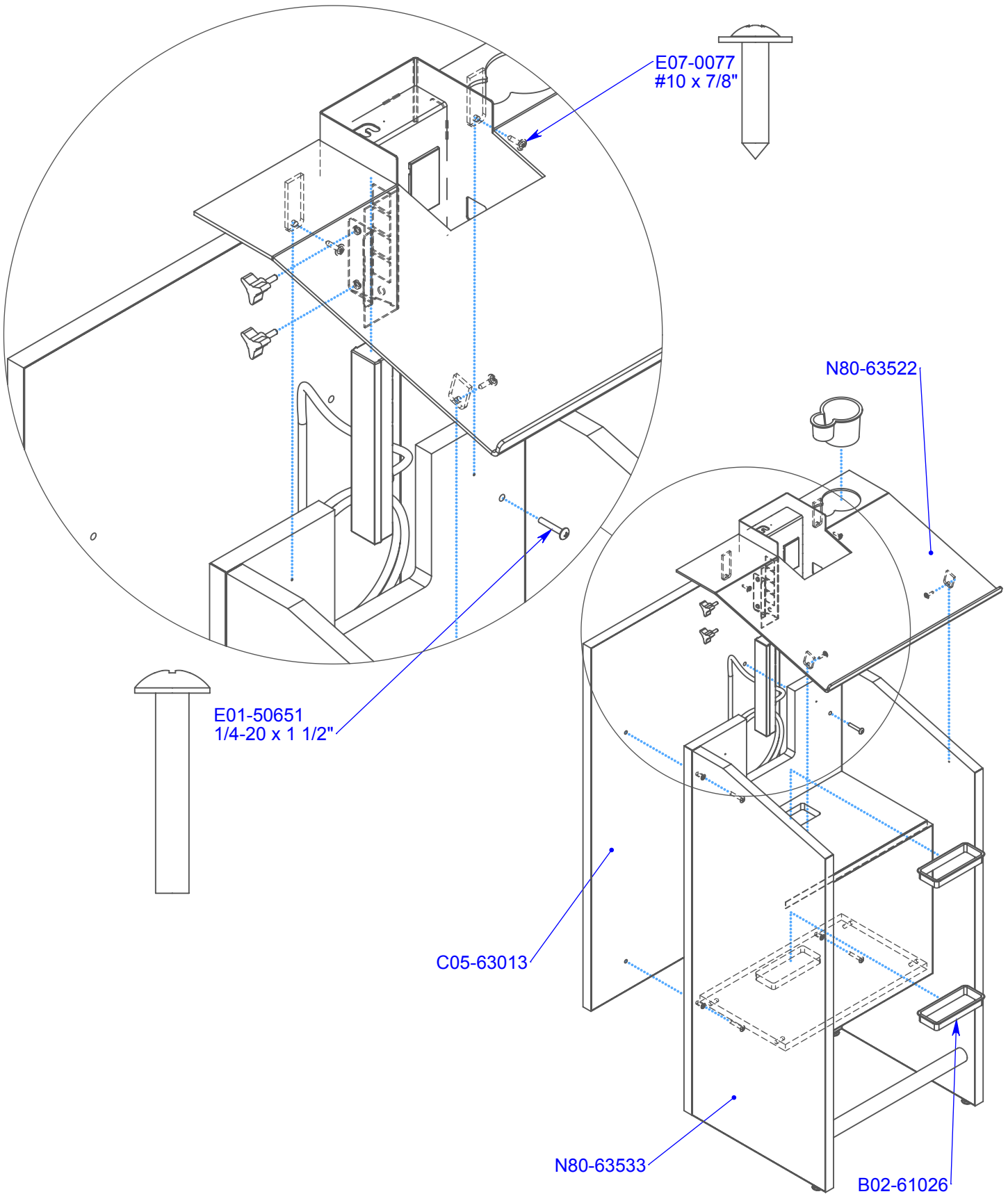


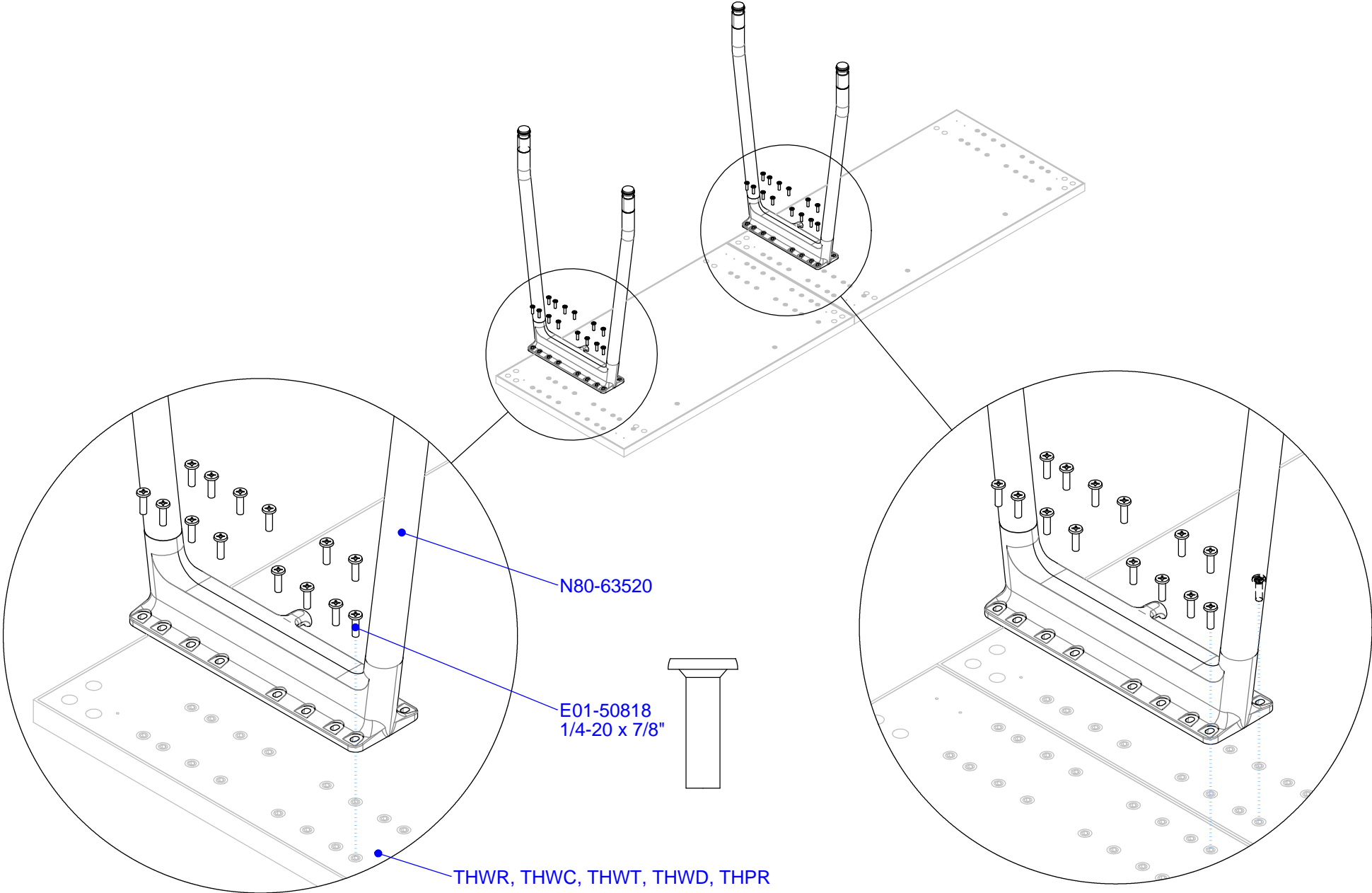


## THPT only / seulement









Expansion Desking Section – **Desk Accessories**

Expansion Casegoods Section – **Multi-Level Workstations**

No. **1046**

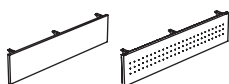
Expansion Wood Section – **Desks & Desk Accessories**

Thesis Section – **Supports & Accessories**

REML and REMO – Suspended Modesty Panels  
 THCMS and THCMM – Modesty Panels  
 BAMPL and BAMPM – Peninsula Modesty Panels  
 B\_MBL and B\_MBG – Suspended Modesty Panel for Overlapping Bridge

REVL and REVO – Worksurface Suspended Modesty Panels  
 THCCS and THCCM – Modesty Panels for Connecting Trapeze Work.  
 B\_MPL and B\_MPG – Suspended Modesty Panel for Primary Work.  
 ZEAMS – Suspended Modesty Panels – Wood

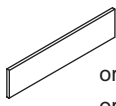
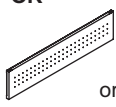





**Product**



REML    REMO  
 REVL    REVO  
 B\_MPL    B\_MPG  
 B\_MBL    B\_MBG  
 THCMS    THCMM  
 THCCS    THCCM  
 ZEAMS

**TOOLS REQUIRED:**  
 Cross or Square Drive #2 and #3

**SUSPENDED MODESTY PANELS - Part / Product Identification and What's Included**

Ref.	Illustration/ Description	Expansion Casegoods	Expansion Wood		Expansion Desking		Thesis	
<b>A</b>	 Solid Suspended Modesty Panel RZEMLH_ or RZEVLH_ or BZAMSLH_ or C83-74038 +XX+09 or C05-63021 +XX+12 or C05-63022 +XX+12	1			1			
					1			
								1
					1			
								1
	 Metal Suspended Modesty Panel N80-61509 +XX+12 or N80-61552 +XX+12 or N80-63561 +XX+12 or N80-63560 +XX+YY+12					1		
						1		
								1
								1
								1
<b>B</b>	 Cable Tray A15-63433 +XX or A15-63434 +XX+YY (If applicable) R80-63020+XX or R80-63015+XX+YY						1	
<b>C</b>	 1/4 - 20 x 5/8" Quadrex Pan Hd. M.Screw, Black E01-50403						4	
		X80-61239 (included with B_MPL, B_MPG, B_MBL, B_MBG)	X80-61240	X80-61239	X80-61240	X80-61239	X80-61240 (1x = 36" to 54" or 2x = 60" to 84")	
<b>D</b>	 1/4 - 20 x 5/8" Quadrex Pan Hd. M.Screw, Black E01-50403	6	4	6	4	6	4	
<b>E</b>	 #12 x 3/4" Quadrex Pan Hd. W. Screw, Zinc E04-50017	6	4	6	4	6	4	
<b>F</b>	 Modesty Bracket A15-61699	3	2	3	2	3	2	

For kit application, see next page

Expansion Desking Section – **Desk Accessories**

No. **1046**

Expansion Casegoods Section – **Multi-Level Workstations**

Expansion Wood Section – **Desks & Desk Accessories**

Thesis Section – **Supports & Accessories**

Suspended or Peninsula Modesty Panels

**Kit application for Expansion Desking products**

*Worksurface Style:* Desk (D)

Support Style	Kit Number	X80-61240	X80-61239
Hang-On Storage / Legs (1)		48" or 54" Modesty Panel Width	60" to 84" Modesty Panel Width
Small Storage (20" or less) (2)		48" to 75" Modesty Panel Width	78" or 84" Modesty Panel Width
Large Storage (24" or more) (3)		48" to 84" Modesty Panel Width	n/a

*Worksurface Style:* Table (T)

Support Style	Kit Number	X80-61240	X80-61239
Legs Only (1)		36" to 54" Modesty Panel Width	60" to 84" Modesty Panel Width

*Worksurface Style:* Worksurface

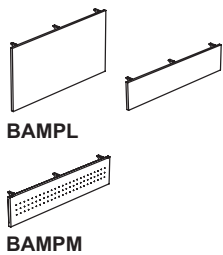
Support Styles	Kit Number	X80-61240	X80-61239
All Support Styles		30" to 59" Modesty Panel Width	60" to 84" Modesty Panel Width

**Kit application for Expansion Wood products**

Support Styles	Kit Number	X80-61240	X80-61239
All Support Styles		31" to 45" Modesty Panel Width	46" to 81" Modesty Panel Width

**EXPANSION CASEGOODS – PENINSULA MODESTY PANELS - Part / Product Identification and What's Included**

**Product**



**TOOLS REQUIRED:**  
Cross or Square Drive #2 and #3

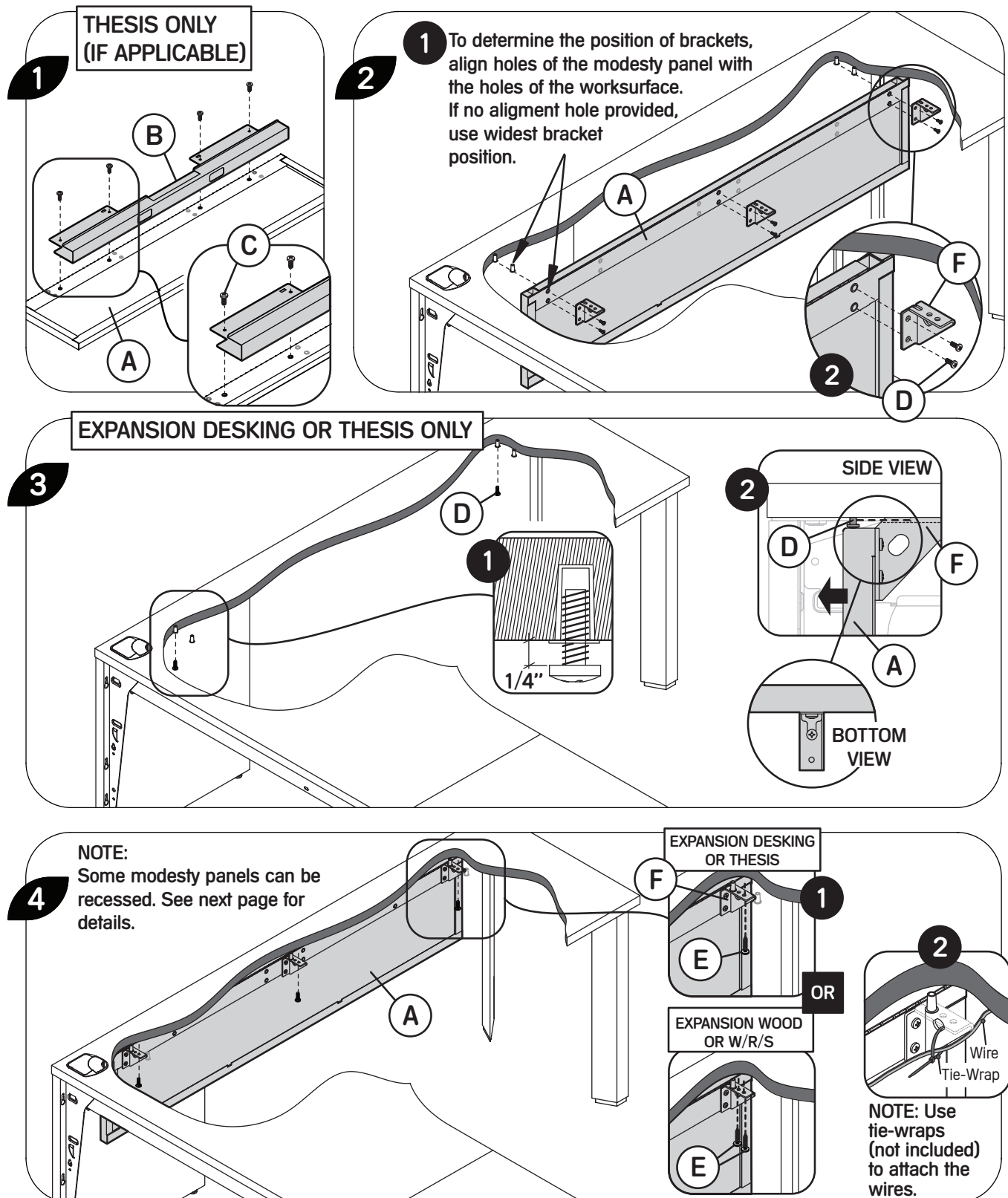
Ref.	Illustration	Description	Part No. / Prod. Code	Quantity	
<b>A</b>	<p>OR</p> <p>OR</p>	Full-Height Peninsula Modesty Panel – Solid	BZAMPLMF	1	
		1/2 Height Peninsula Modesty Panel – Solid	BZAMPL_H		
		1/2 Height Peninsula Modesty Panel – Metal	N80-64188+XX+11 or N80-64189+XX+11		
<b>D</b>		1/4 - 20 x 5/8" Quadrex Pan Head Mechanical Screw, Black	E01-50403	8	10
<b>E</b>		#12 x 3/4" Quadrex Pan Head Wood Screw, Zinc	E04-50017	4	6
<b>F</b>		Metal Modesty Bracket	A15-61699	2	3
<b>G</b>		Slot Modesty Bracket	A15-64002	1	1

**Kit Application**

Support Styles	Kit Number	R80-64008 / X80-61240	R80-64009 / X80-61239
All Support Styles		48" to 60" Modesty Panel Width	66" to 84" Modesty Panel Width

Suspended or Peninsula Modesty Panels

## SUSPENDED MODESTY PANEL INSTALLATION



Expansion Desking Section – **Desk Accessories**

No. 1046

Expansion Casegoods Section – **Multi-Level Workstations**

Expansion Wood Section – **Desks & Desk Accessories**

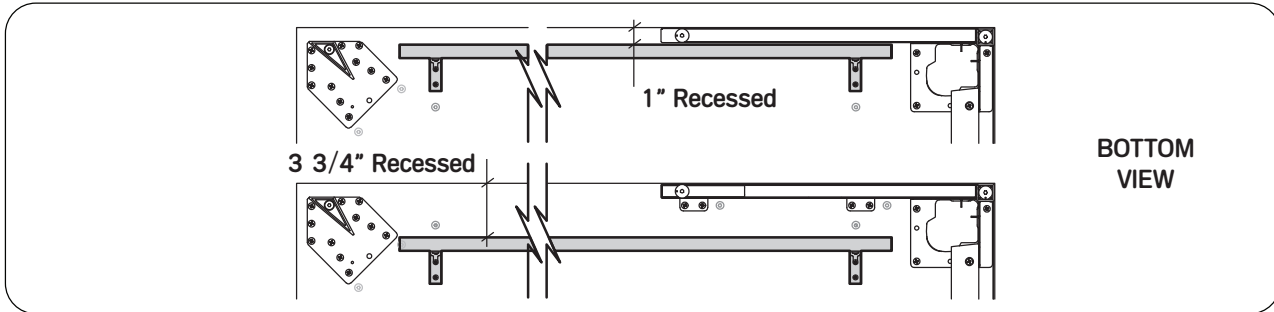
Thesis Section – **Supports & Accessories**

Suspended or Peninsula Modesty Panels

**EXPANSION DESKING – SUSPENDED MODESTY PANEL POSITIONS**

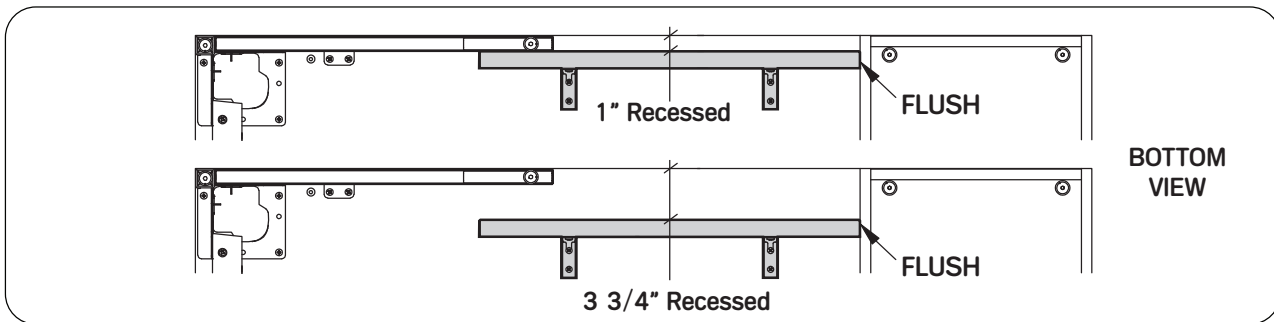
WORKSURFACE STYLES: DESKS and WORKSURFACES (RTL DL or RTL DC only)

SUPPORT STYLES: HANG-ON or LEGS



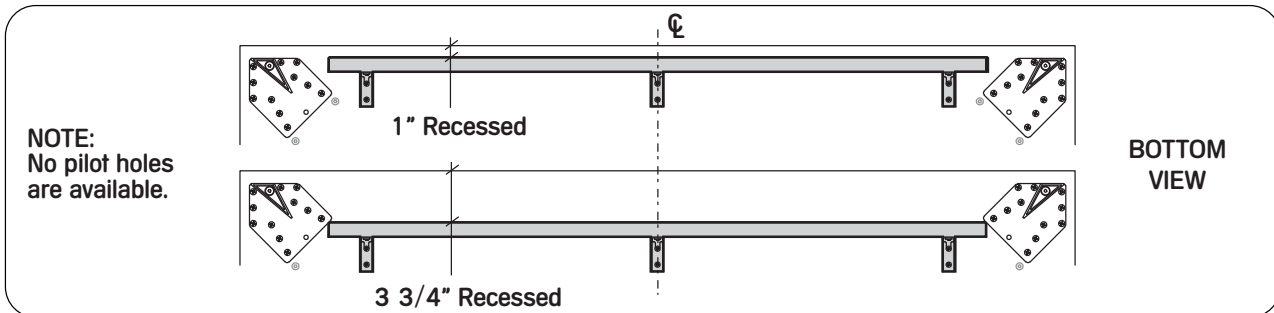
WORKSURFACE STYLES: DESKS and WORKSURFACES (RTL DL or RTL DC only)

SUPPORT STYLES: SMALL OR LARGE STORAGE



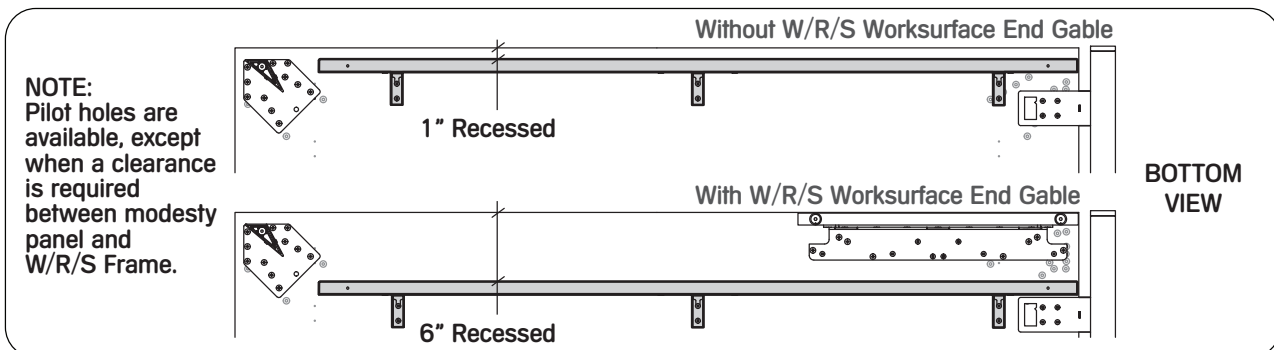
WORKSURFACE STYLES: TABLE (RTRT only)

SUPPORT STYLES: LEG only



WORKSURFACE STYLES: W/R/S WORKSURFACES (RTLVL and RTLVC only)

SUPPORT STYLES: ALL



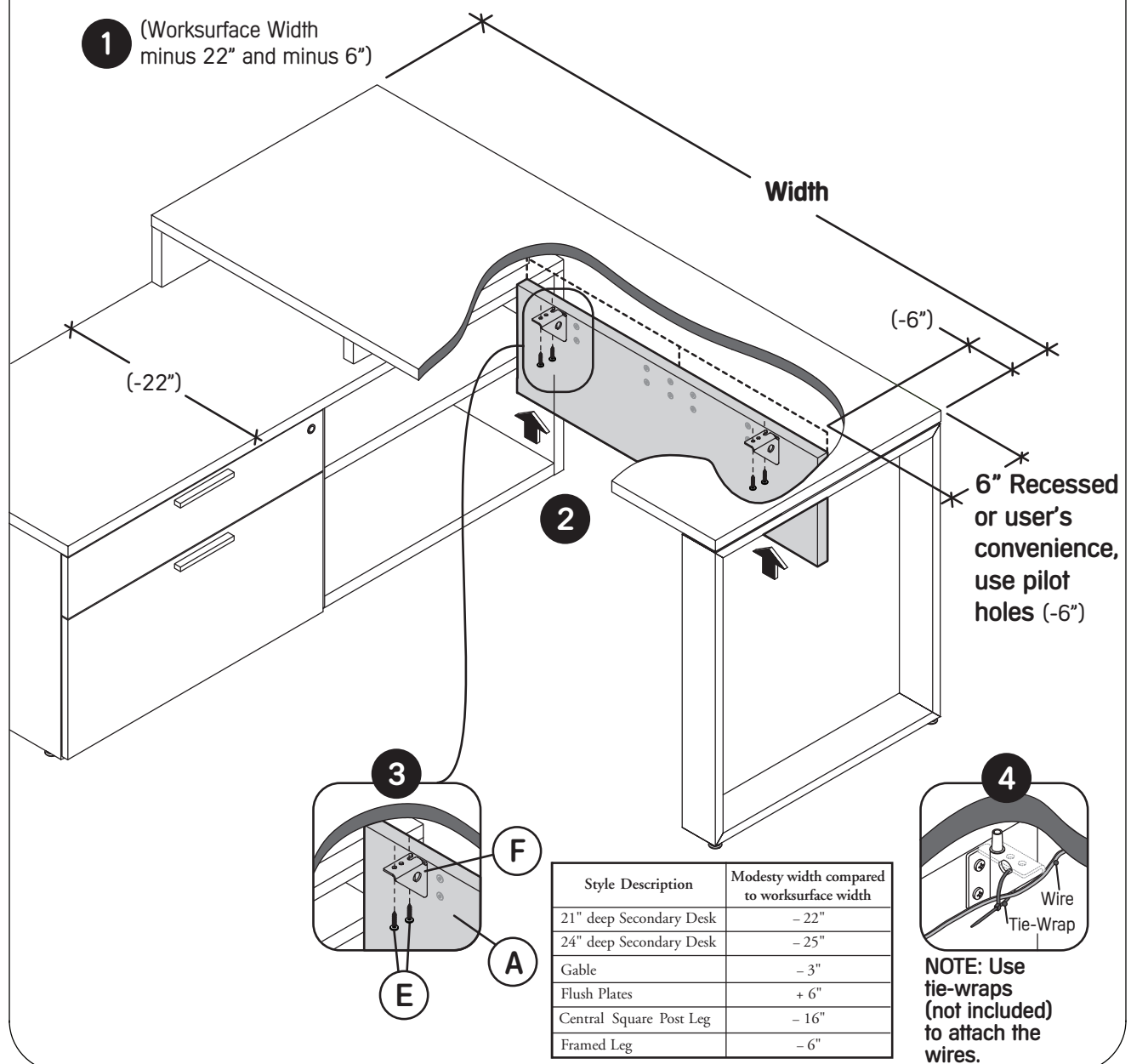
Suspended or Peninsula Modesty Panels

## EXPANSION CASEGOODS – SUSPENDED MODESTY PANEL POSITIONS

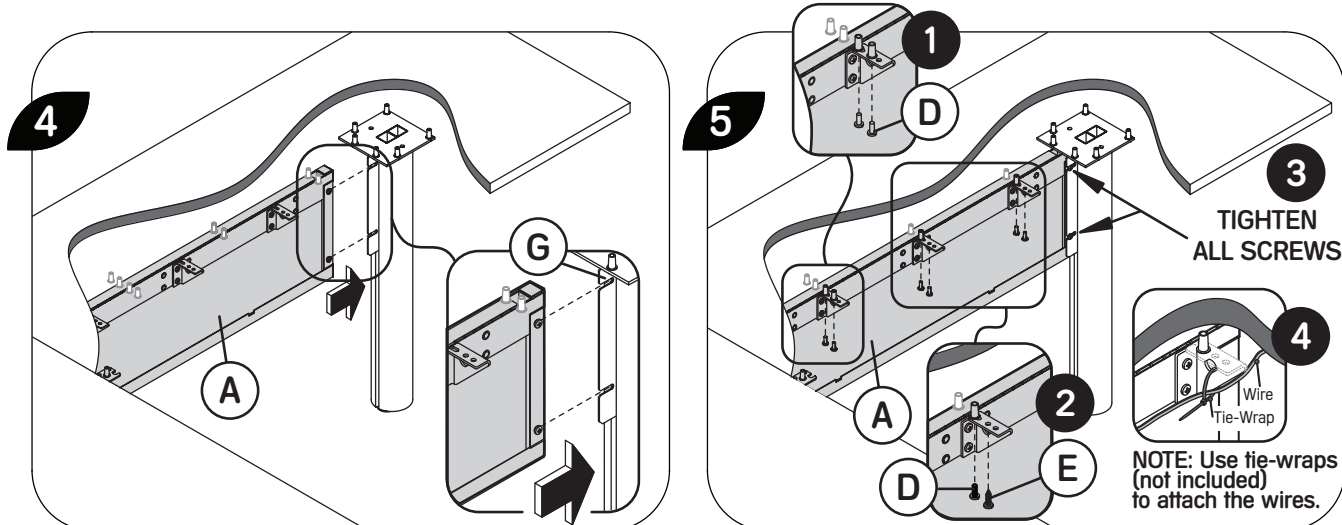
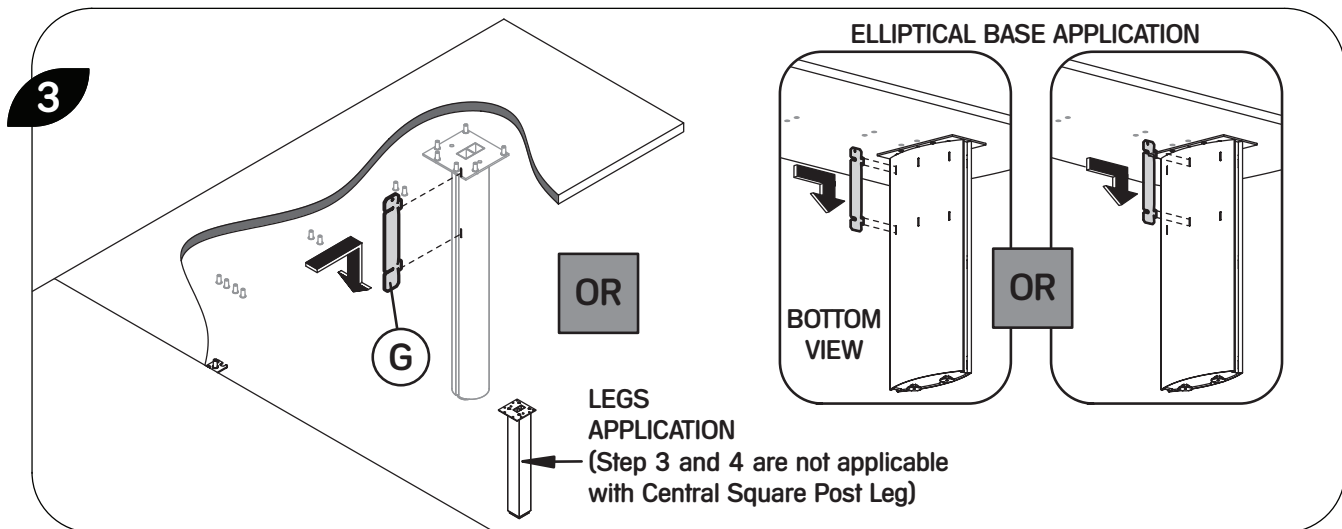
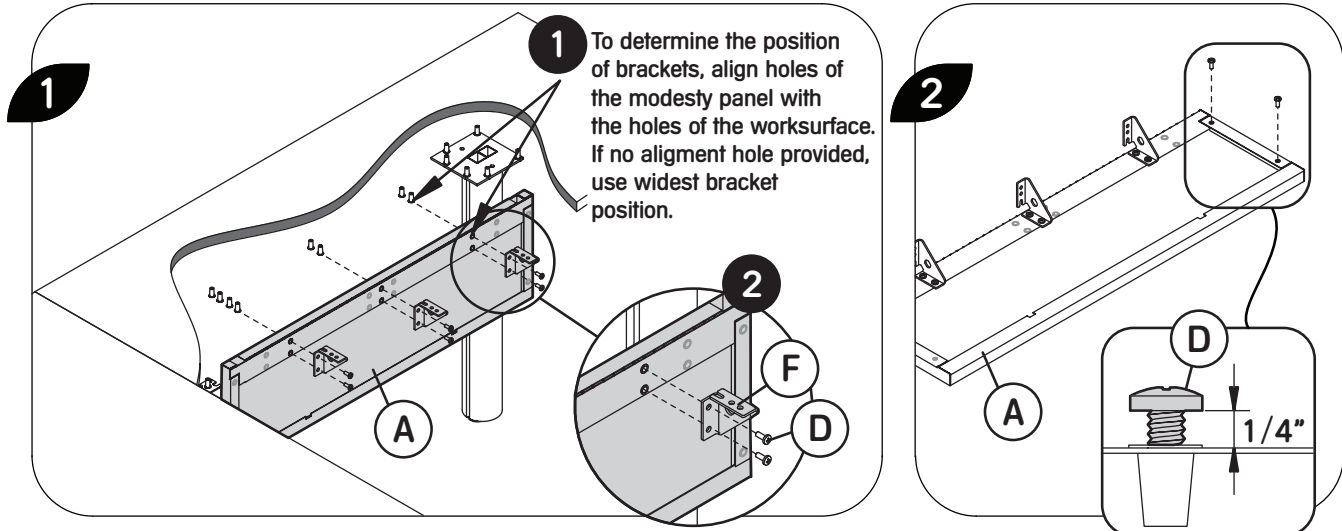
The Solid Suspended Modesty Panel is included on following products:  
**B\_MPL, B\_MPG, B\_MBL and B\_MBG.** For modesty panel position and installation,  
 refer to guide #2004 (L04-64119).

## EXPANSION WOOD – SUSPENDED MODESTY PANEL POSITIONS

Exemple with Frame Leg and 21" deep Credenza



## PENINSULA MODESTY PANEL INSTALLATION





Tables & Collaborative Spaces – Training Section – **Accessories**

Thesis Section – **Supports & Accessories**

CTLMF – Modesty Panel for Flip-Top Table – Laminate

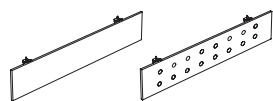
CTMMF – Modesty Panel for Flip-Top Table – Metal

THCFS – Modesty Panel for Flip-Top Table – Solid

THCFM – Modesty Panel for Flip-Top Table – Metal

No. **1204**

**Product**



**CTLMF**  
**THCFS**

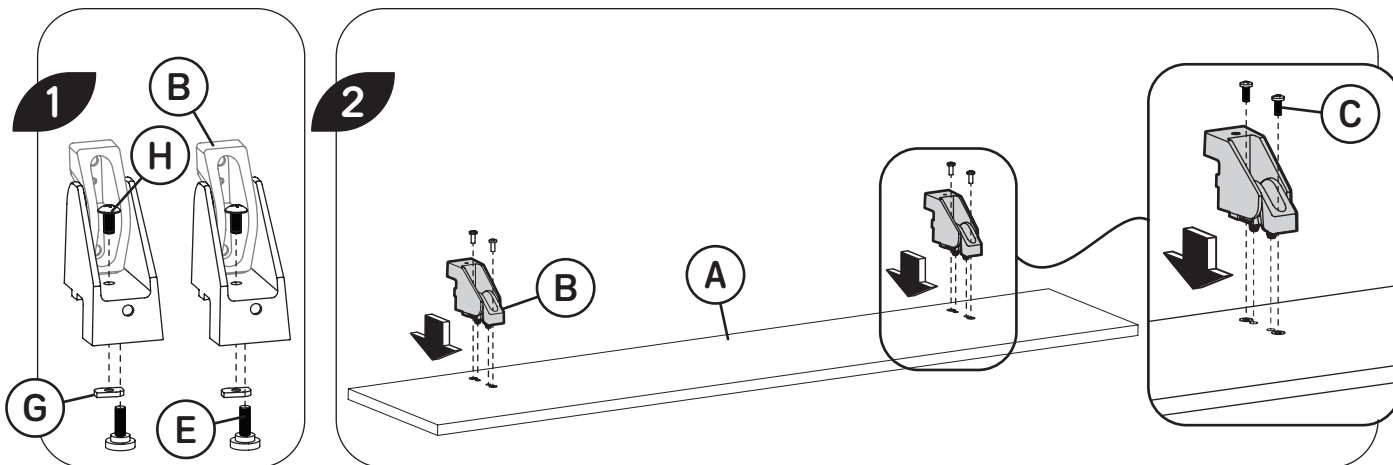
**CTMMF**  
**THCFM**

**TOOLS REQUIRED:**  
Cross or Square Drive #3  
and Level

**CTLMF, CTMMF, THCFS and THCFM - Part / Product Identification and What's Included**

Ref.	Illustration	Description	Part No. / Prod. Code	Qty.	Kit No. / Assy. No.
<b>A</b>		Laminate Modesty Panel (Training)	C83-63001+XX+11	1	
		Solid Modesty Panel (Thesis)	THMCFSCXX		
		Metal Modesty Panel (Training)	A15-63100+XX+11		
		Metal Modesty Panel (Thesis)	A15-63442+XX+12C		
<b>B</b>		Modesty Panel Bracket	N80-63579	2	X80-63085
<b>C</b>		1/4" – 20 x 5/8" Quadrex Pan Head, M. Screw, Black	E01-50403	4	
<b>D</b>		Modesty Panel Lock	A15-63066	2	
<b>E</b>		1/4" – 20 Round Knob	E03-50075	4	
<b>F</b>		#12 x 3/4" Quadrex Pan Head, W. Screw, Zinc	E04-50017	4	
<b>G</b>		1/4" – 20 Nut (Insert)	A15-63349	2	
<b>H</b>		1/4" – 20 x 0.500" Square Truss Head, M. Screw, Zinc	E01-2001	2	

**MODESTY PANEL FOR FLIP-TOP TABLE INSTALLATION**



Reference Installation Guides:

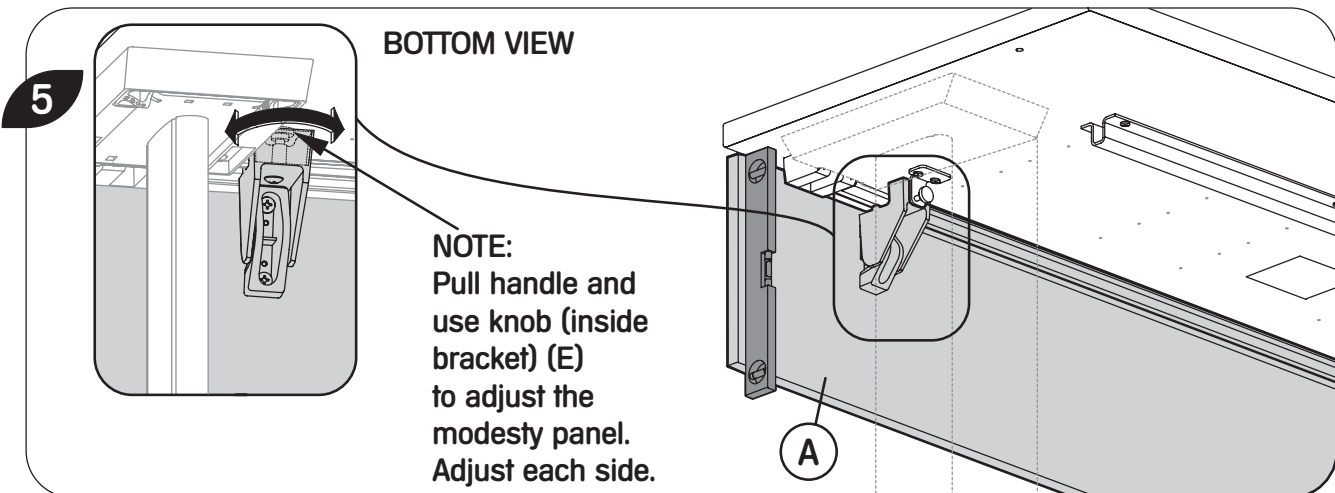
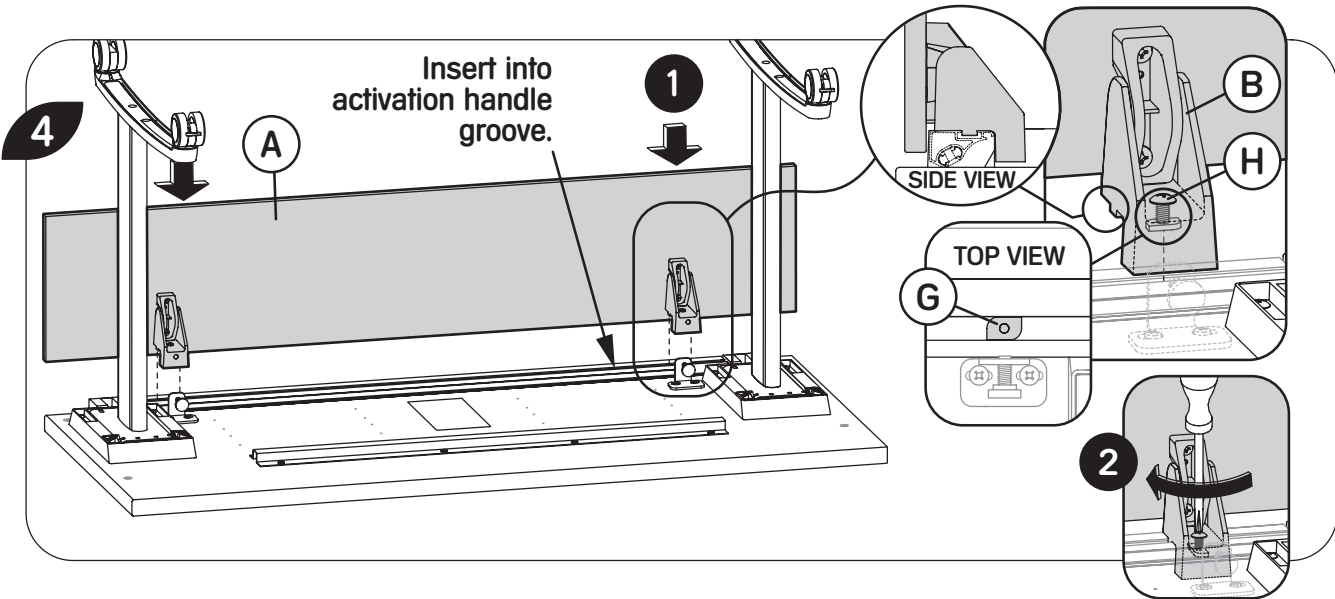
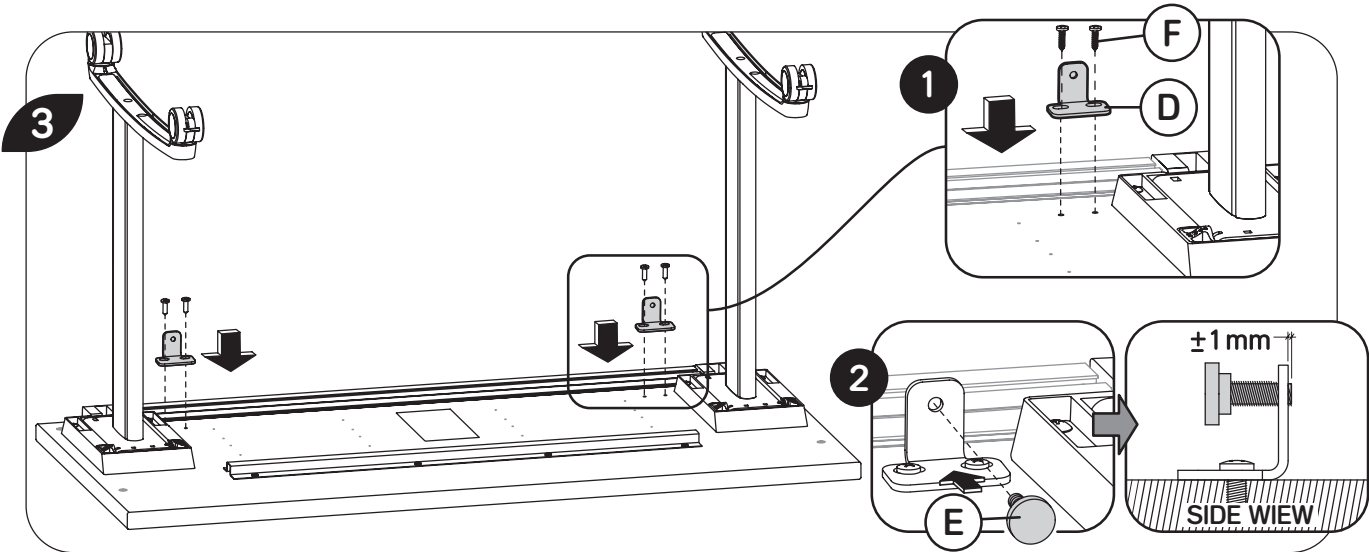
No. 1195 Tables & Coll. Spaces (Training) "Rectangular Flip-Top Table (CTFT)"

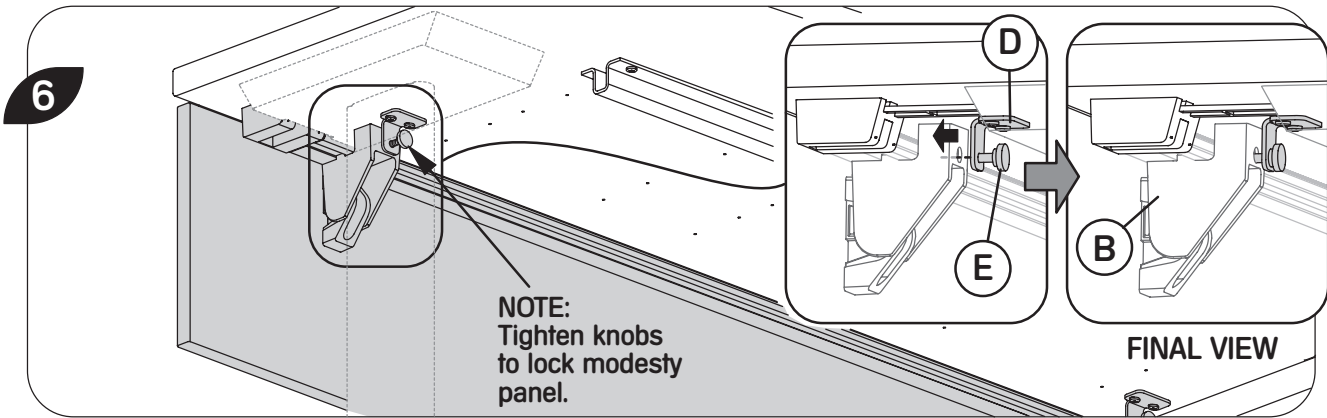
No. THE\_27 Thesis "Rectangular Flip-Top Tables (THFRS, THFRG)"

For additional information on this installation contact Teknion I Roy & Breton **Technical Support**.

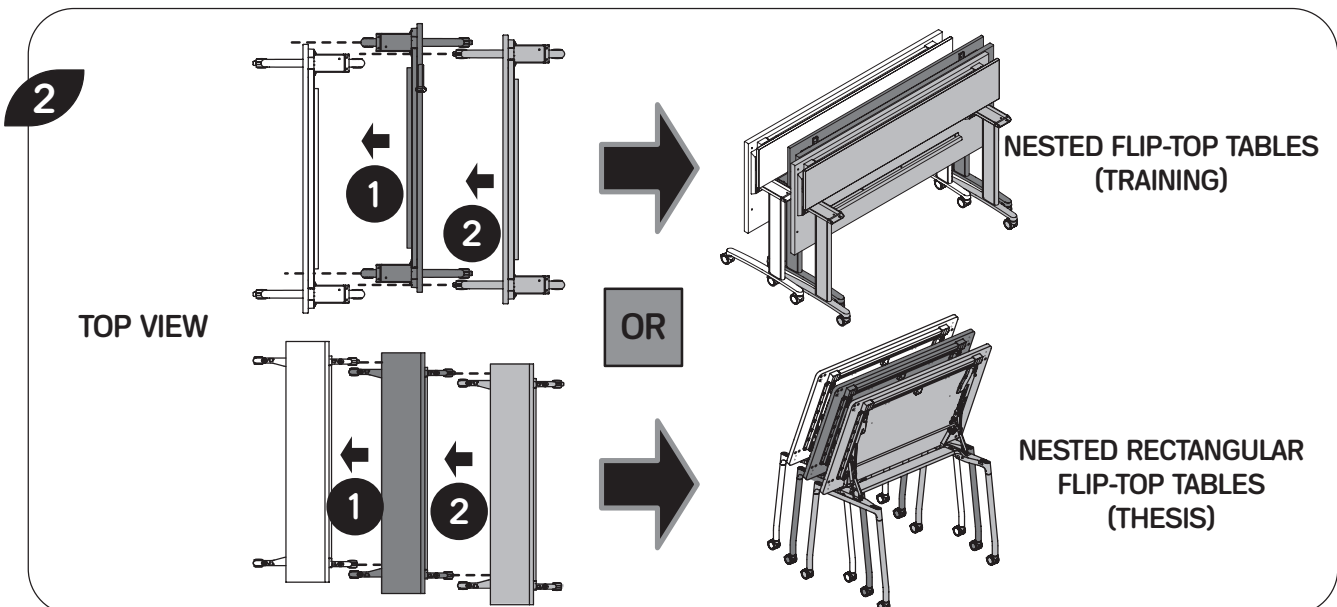
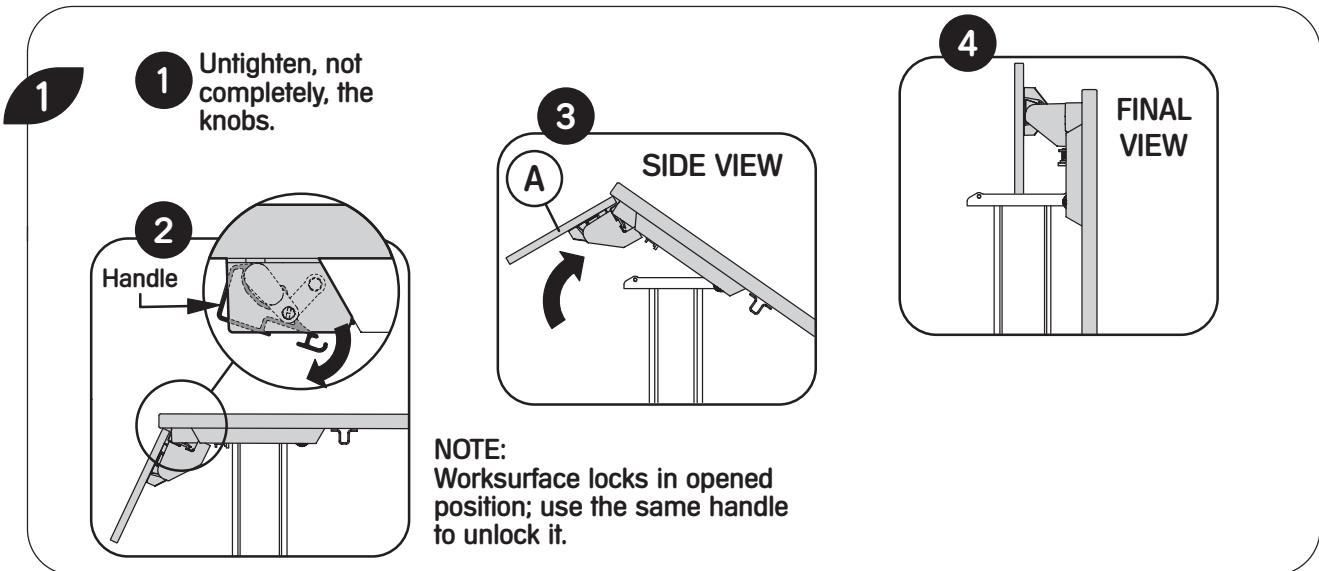
**Issue Date: 2021 June 18**

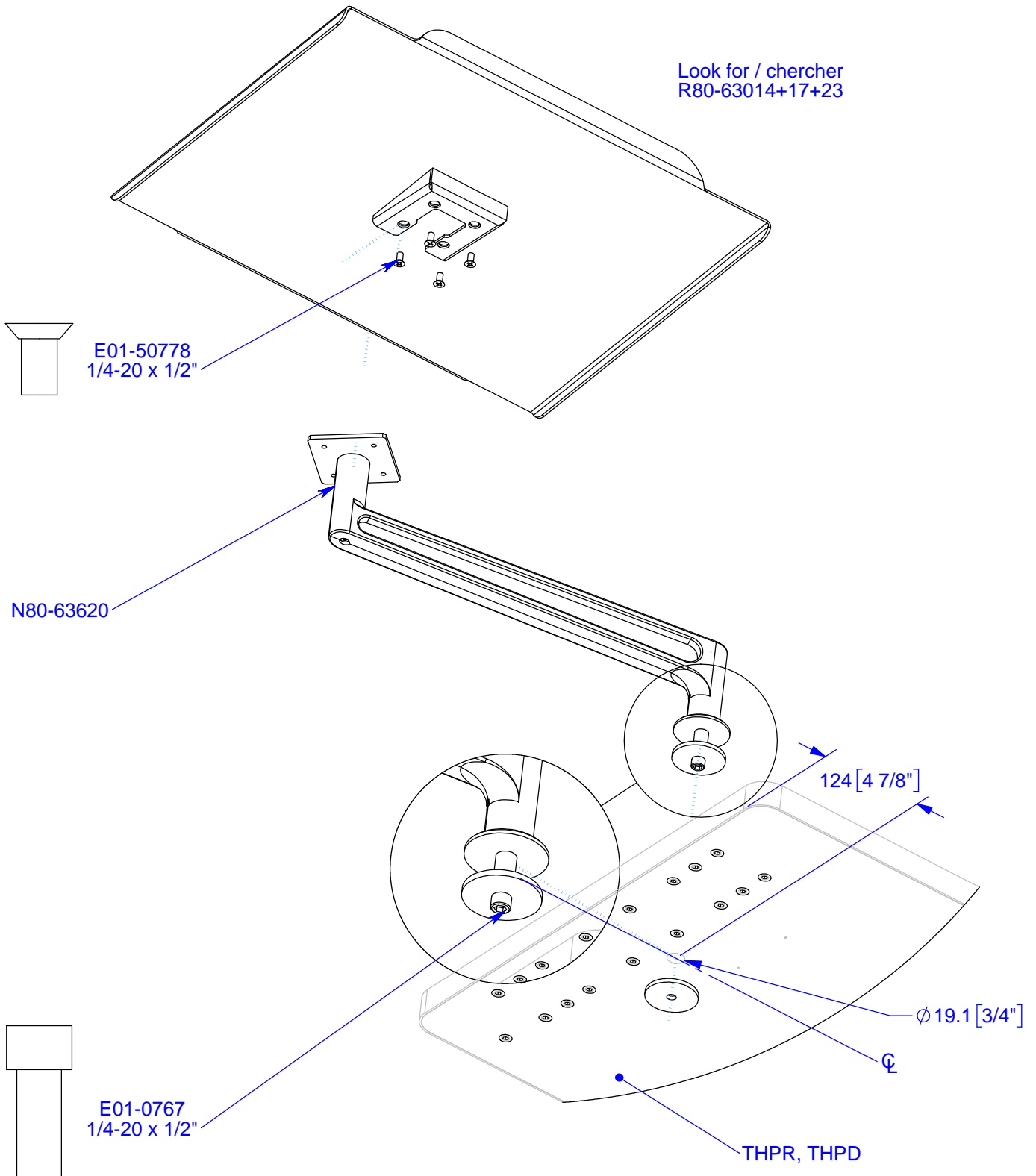
L04-63114\_R08

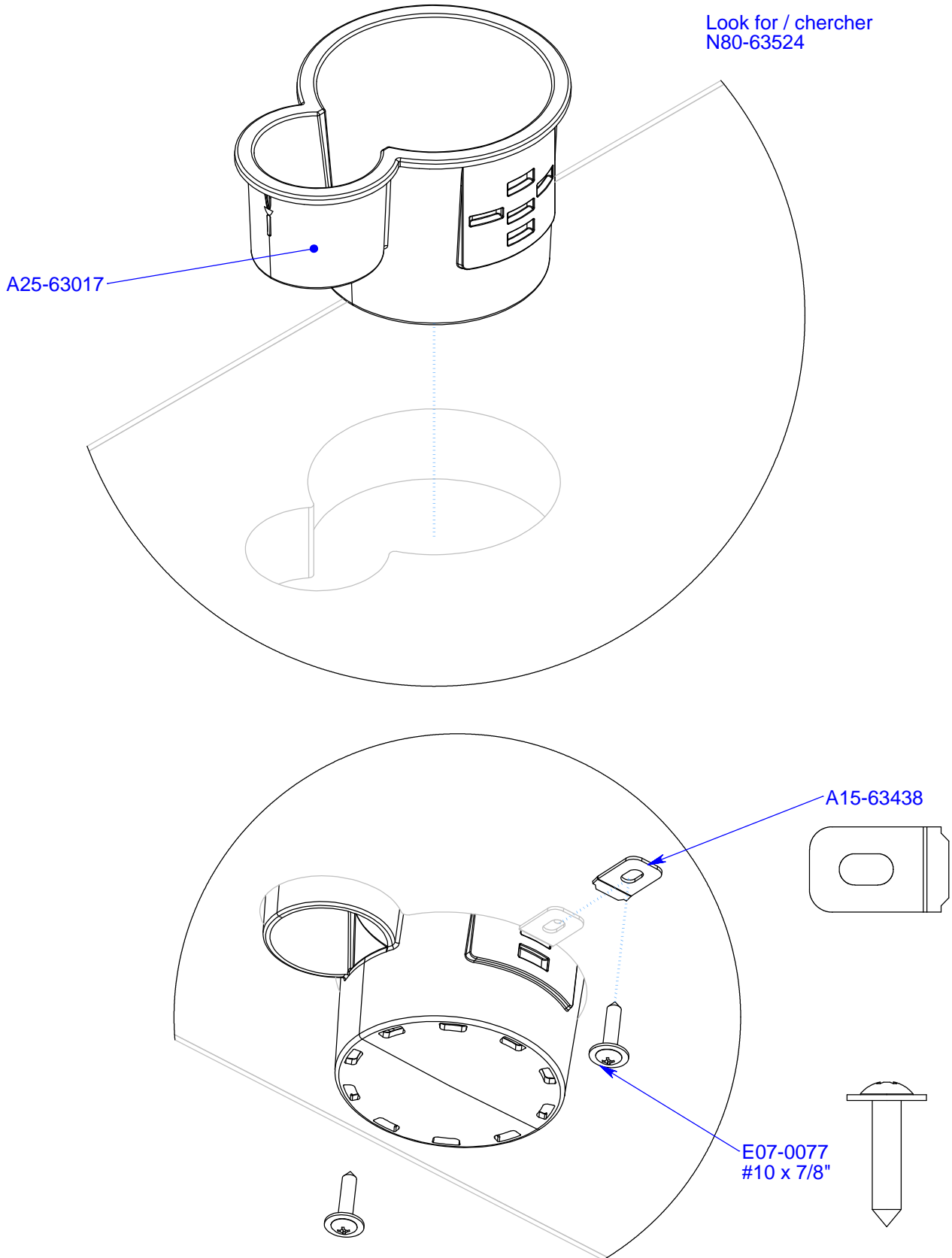


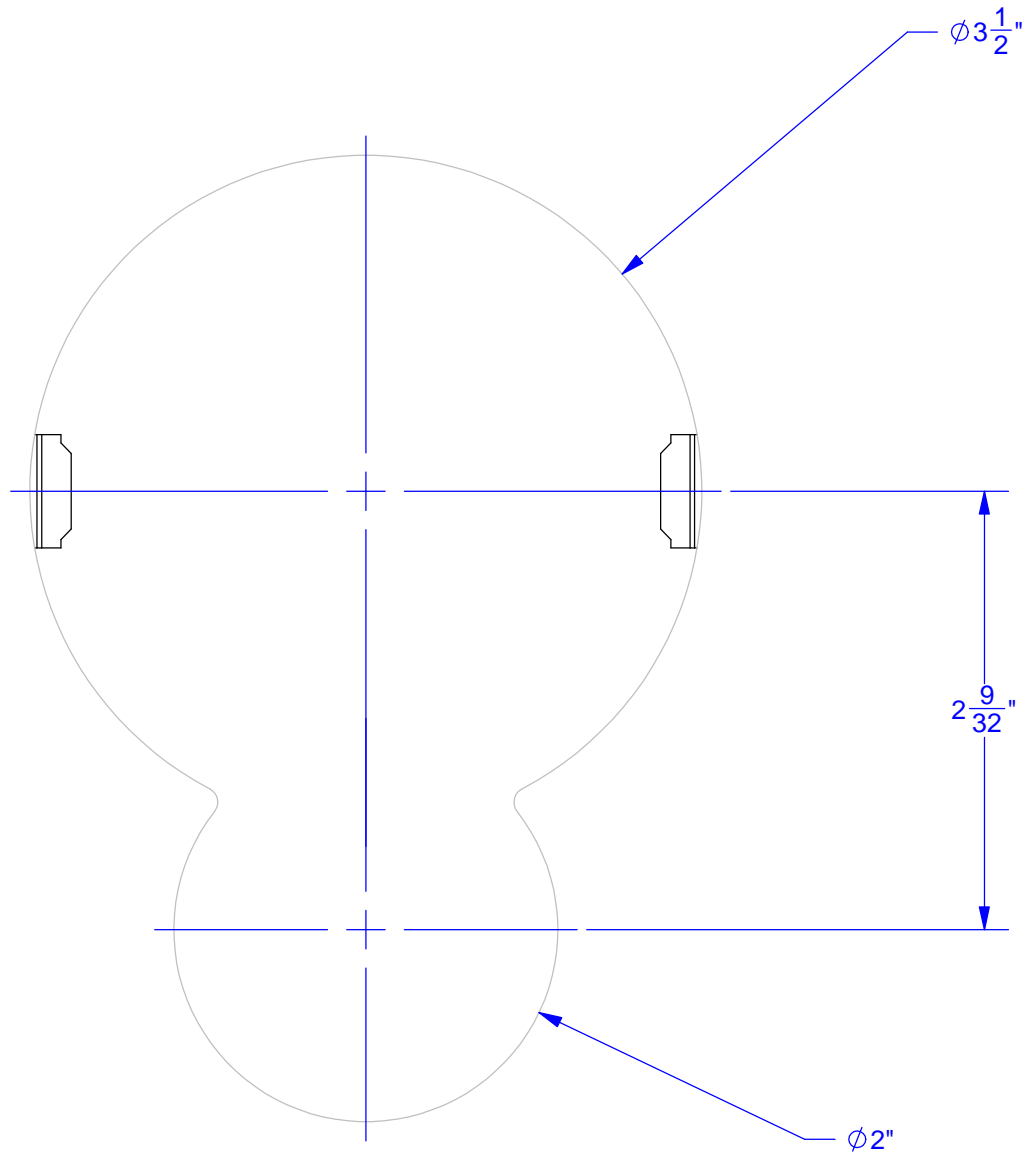


### NESTING CONFIGURATION



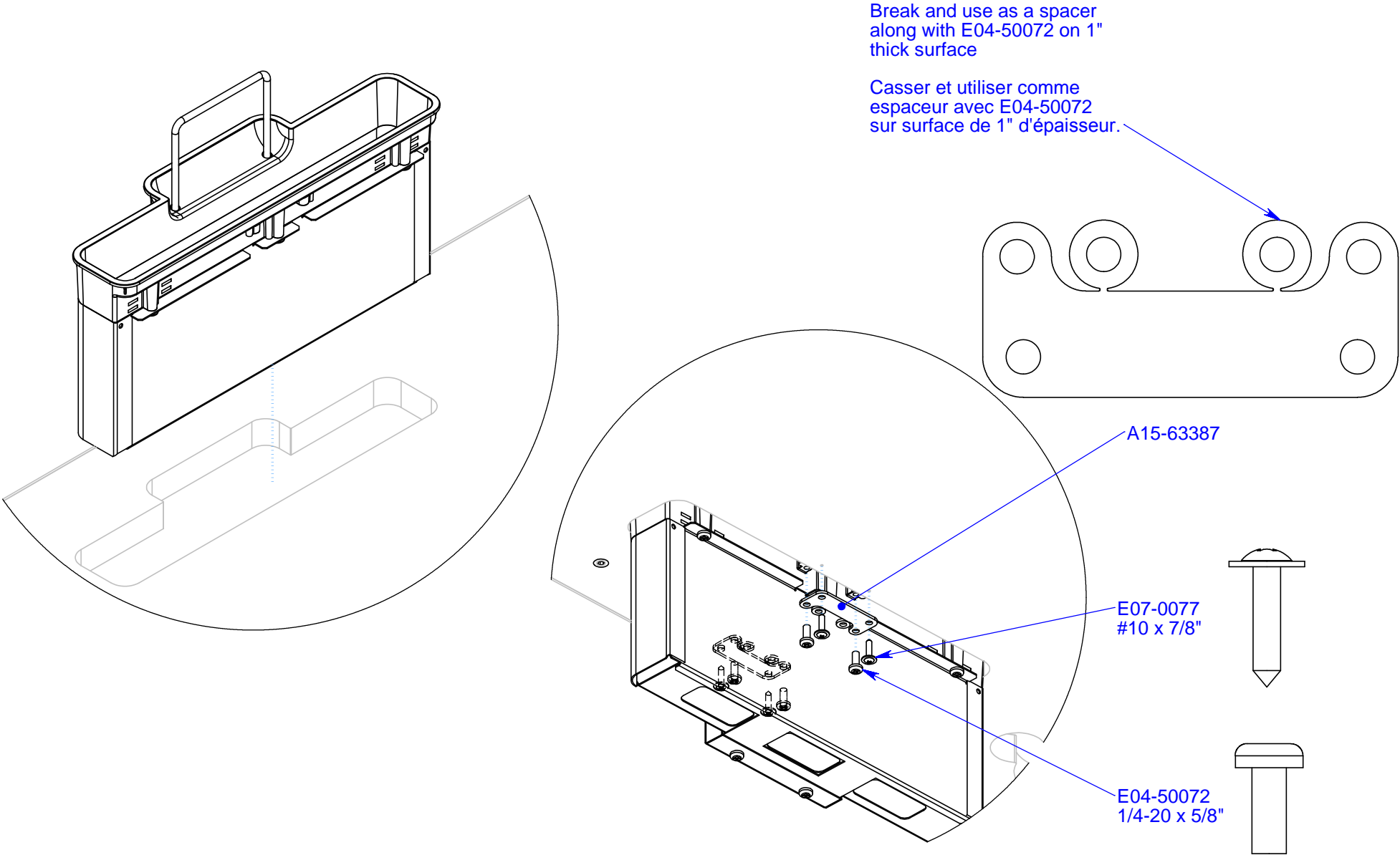


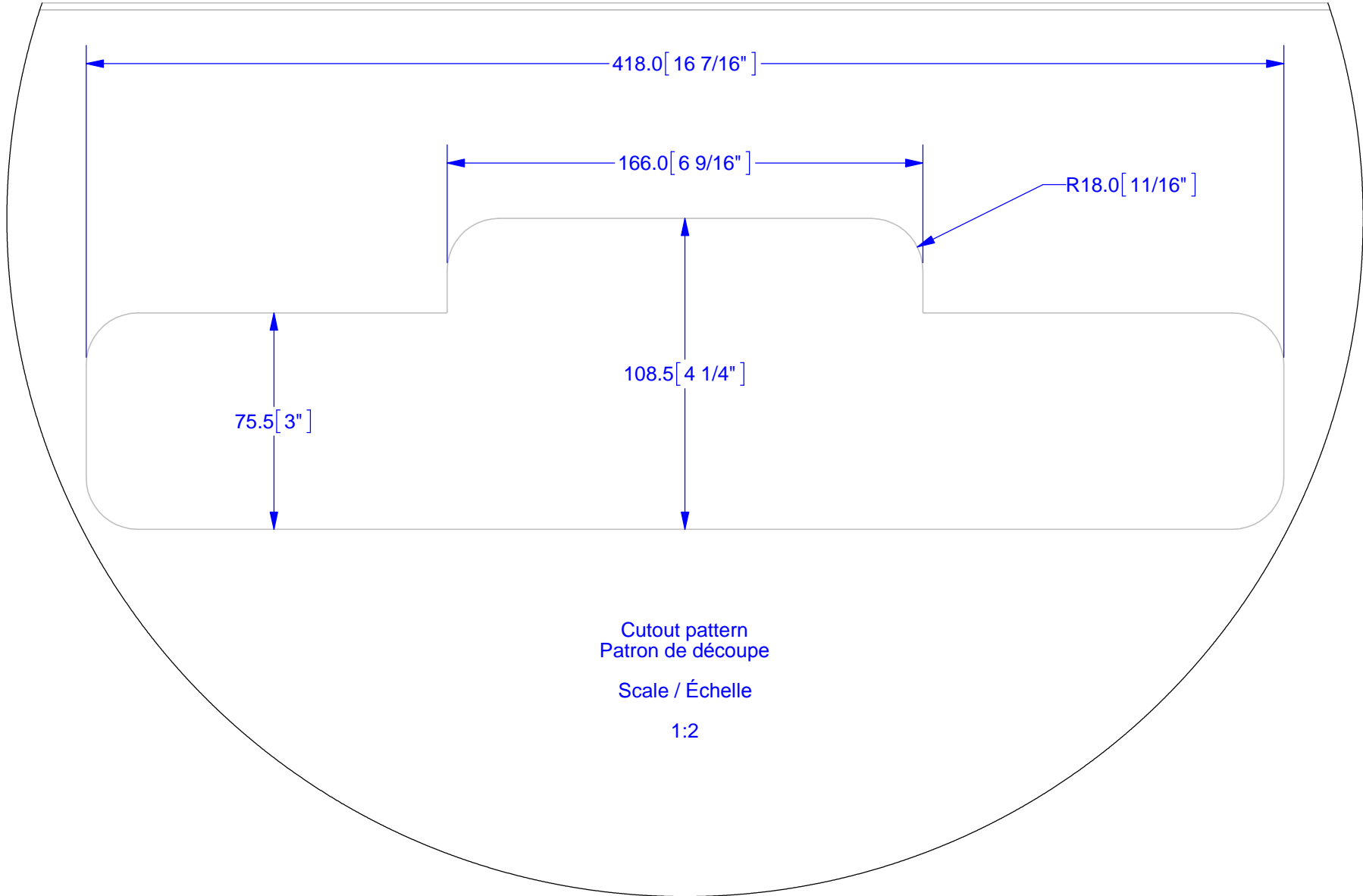




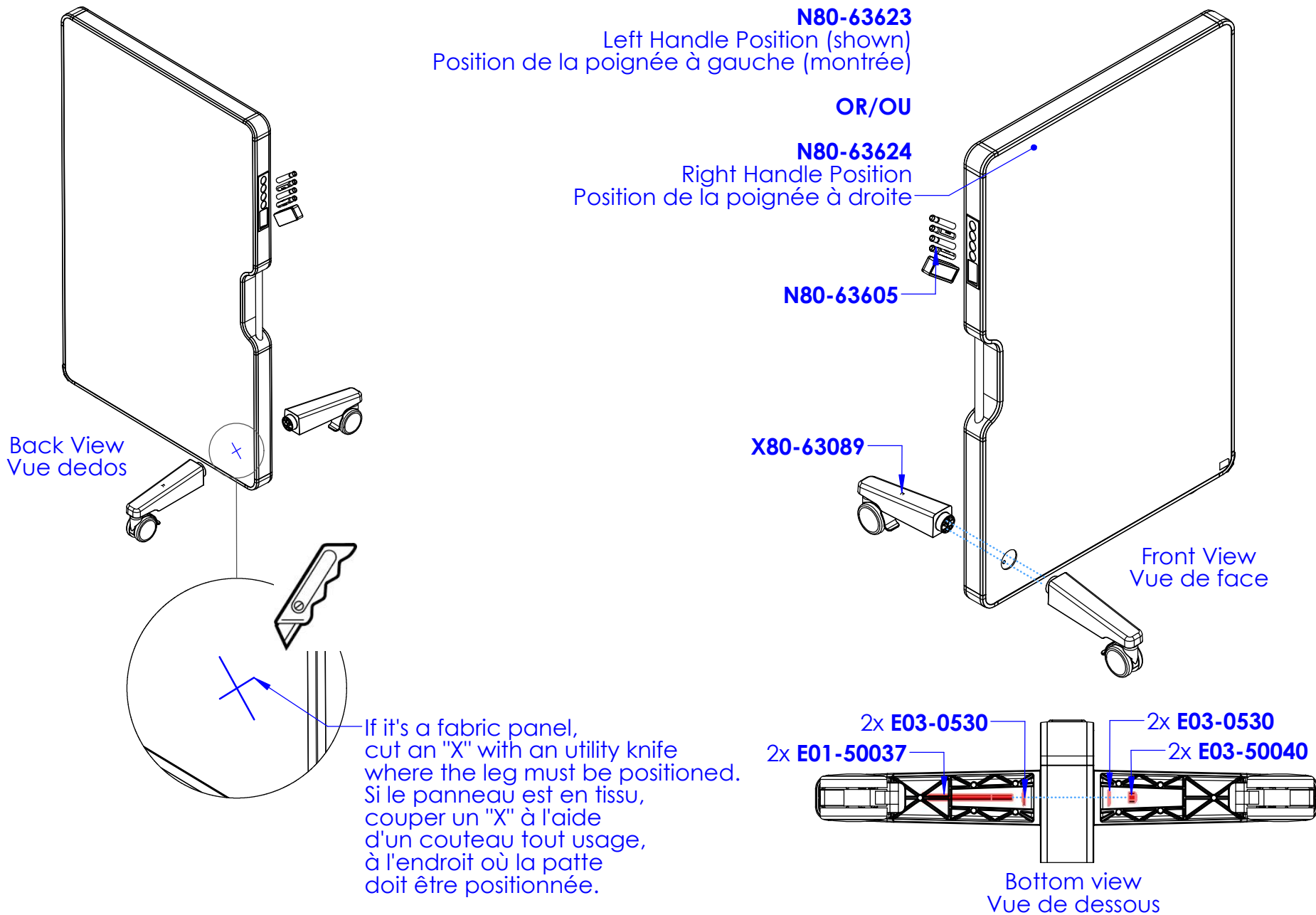
Scale - Échelle

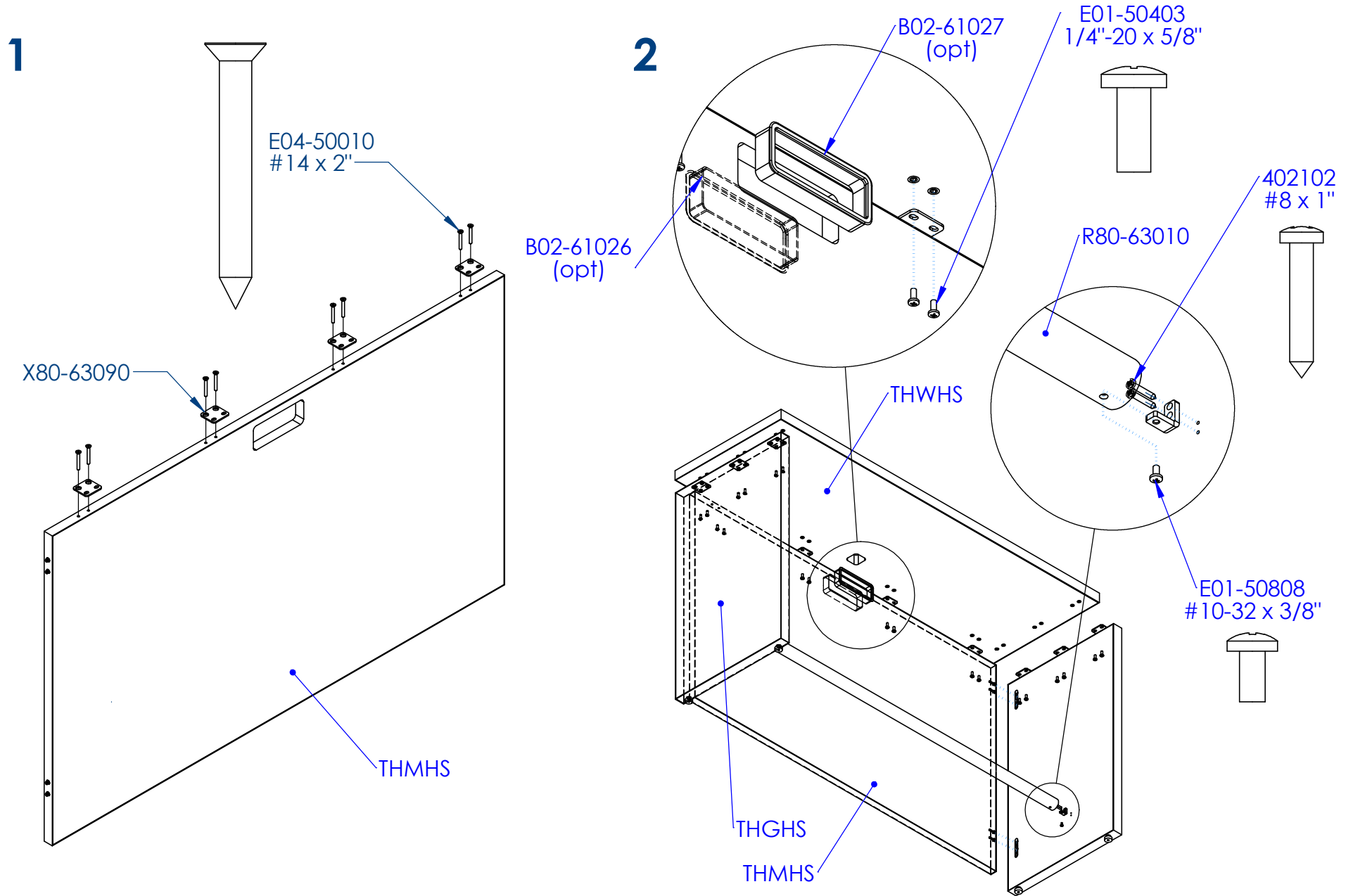
1:1

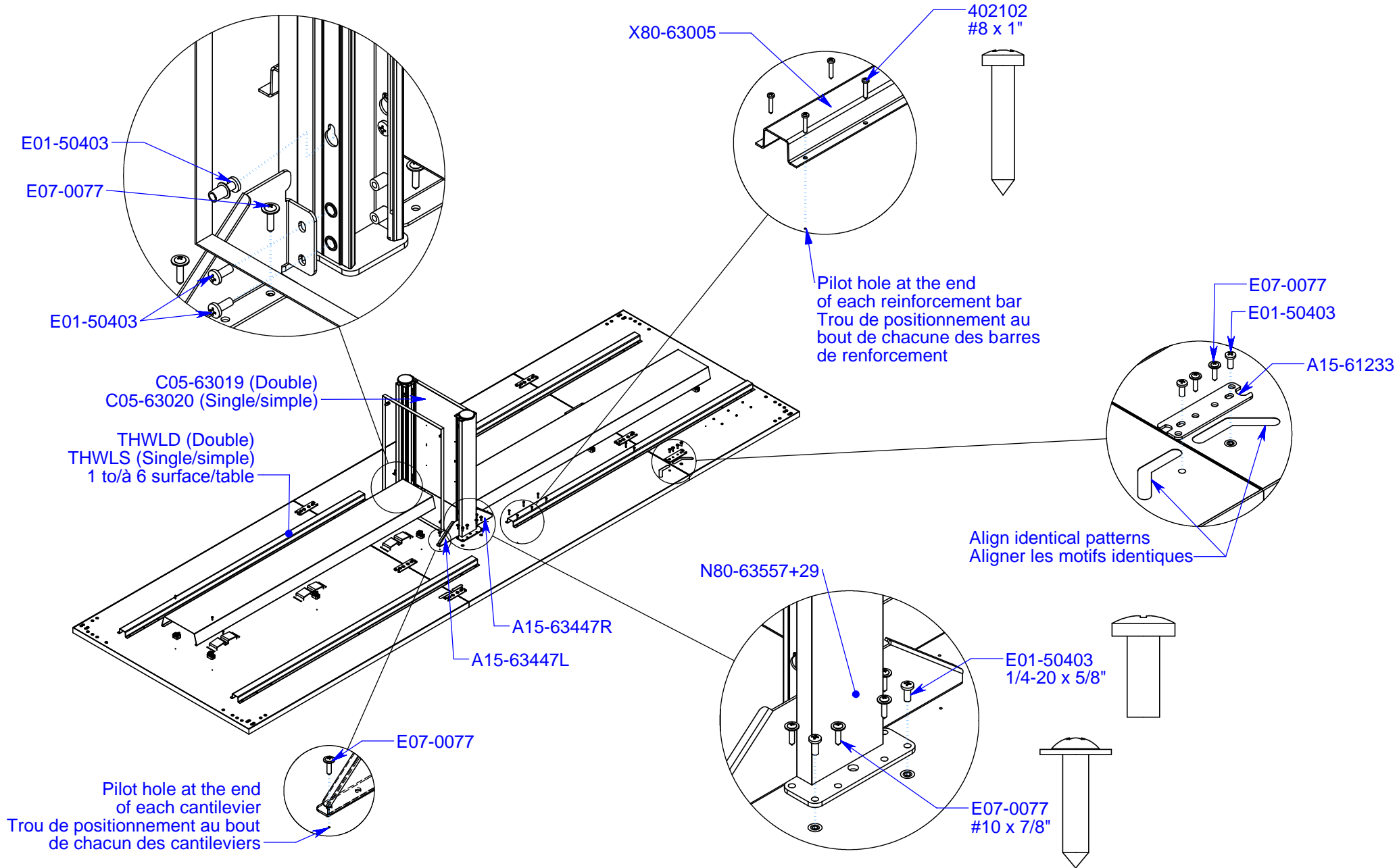




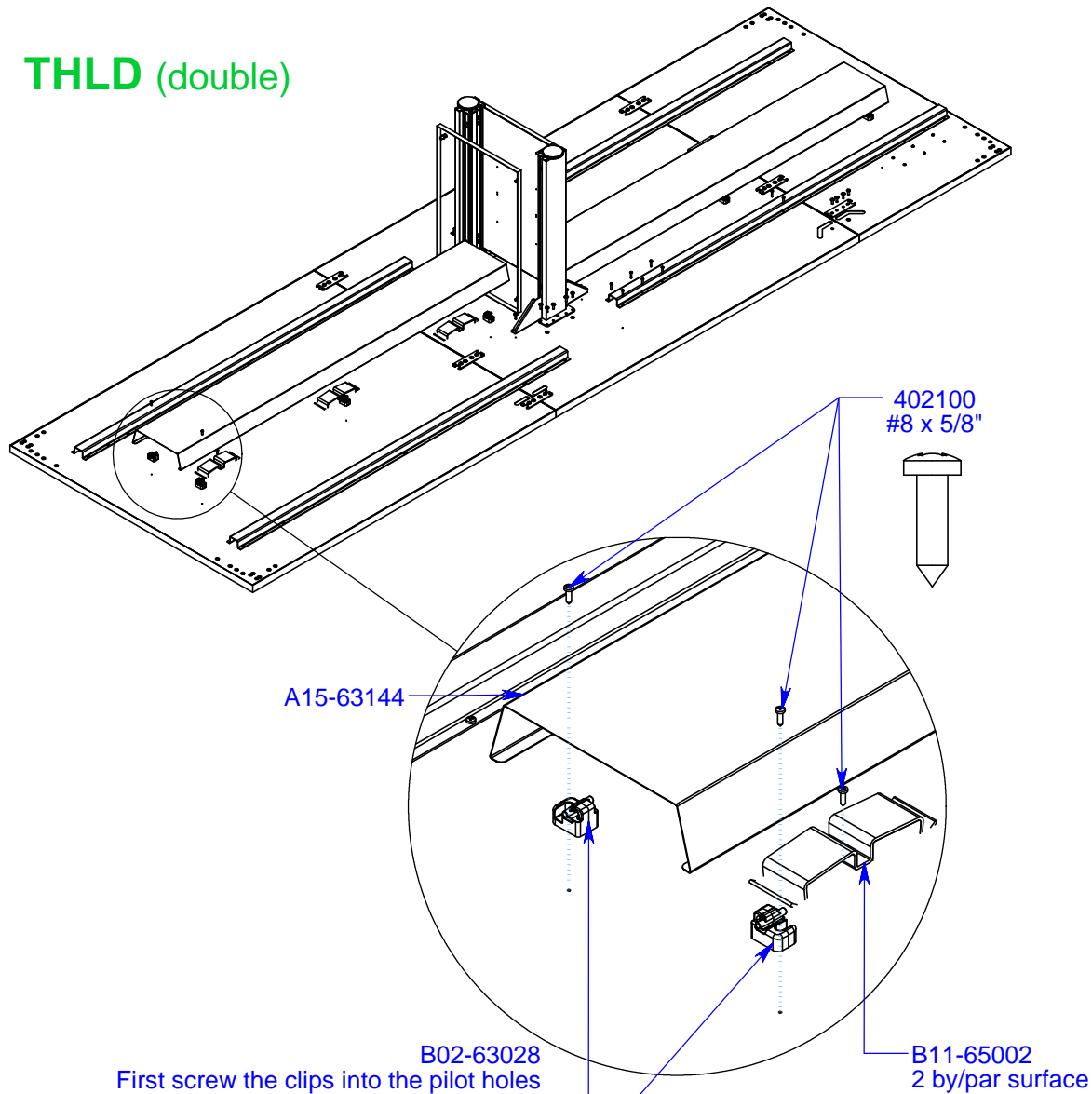




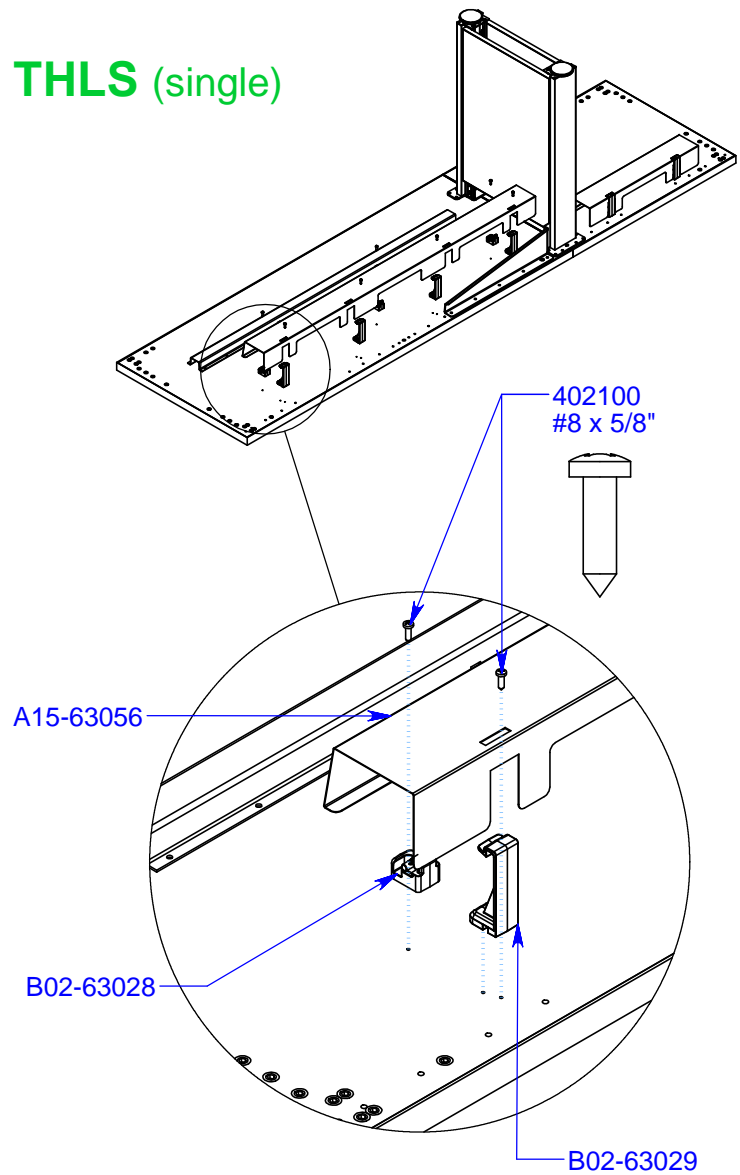




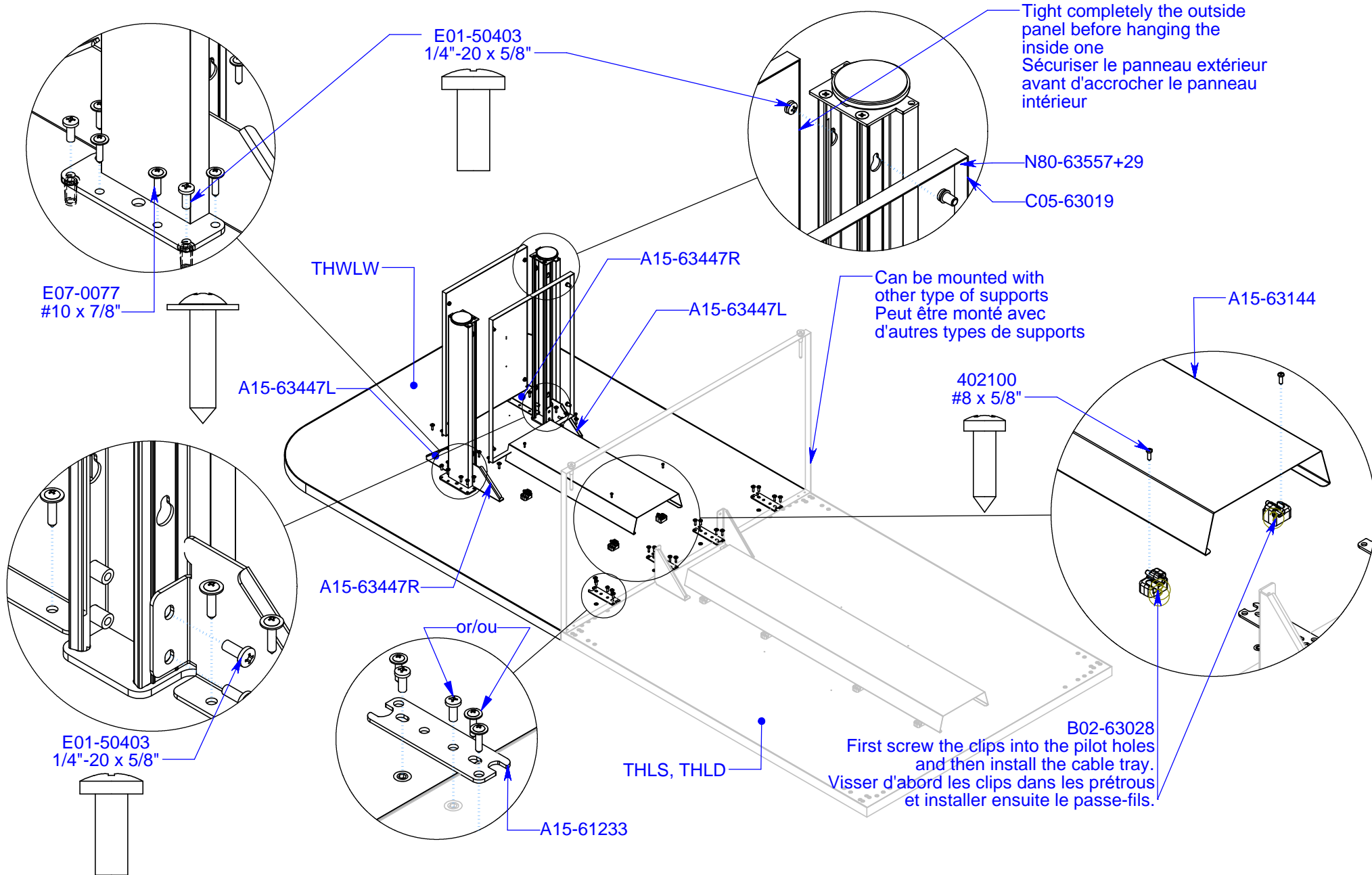
**THLD (double)**

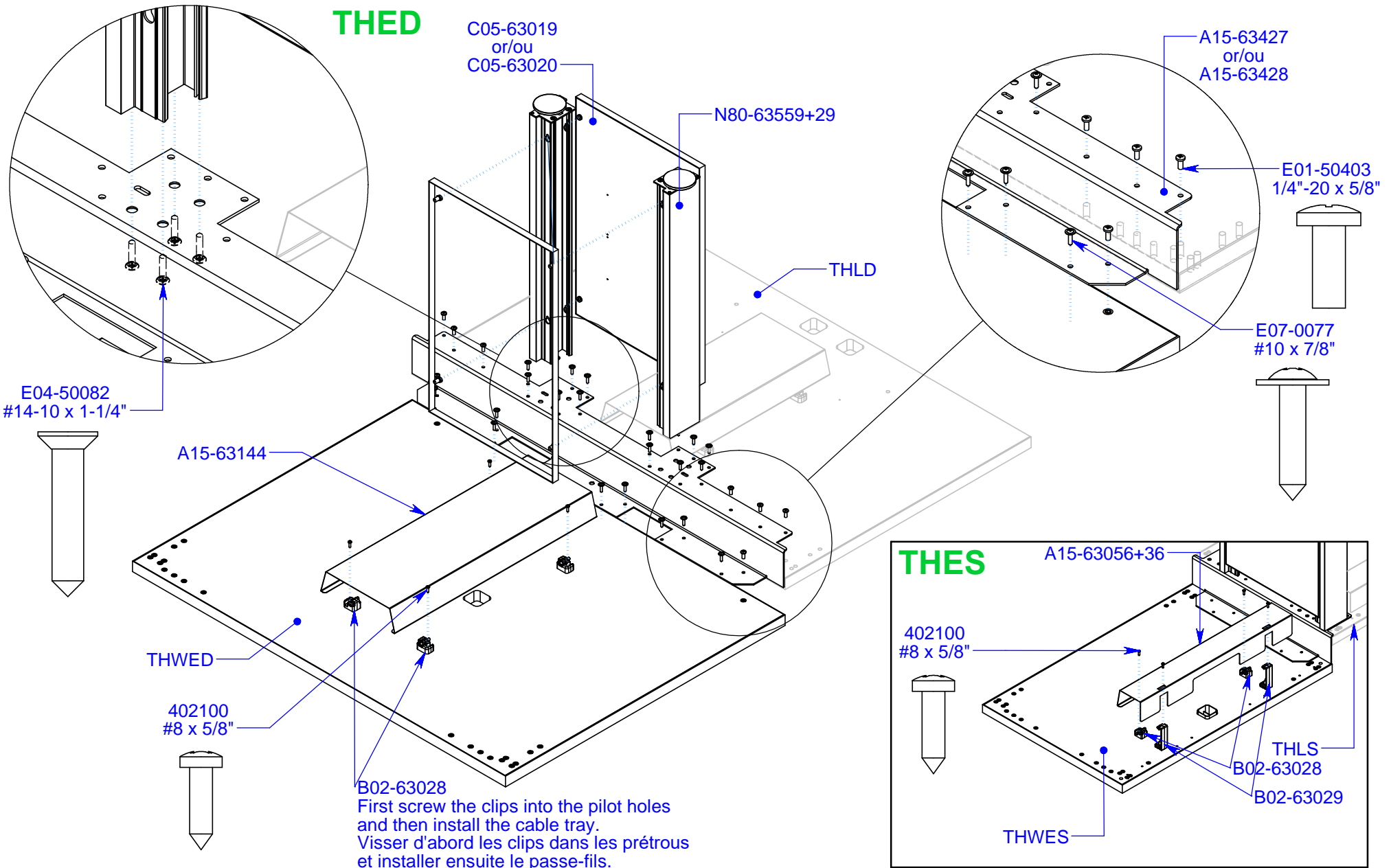


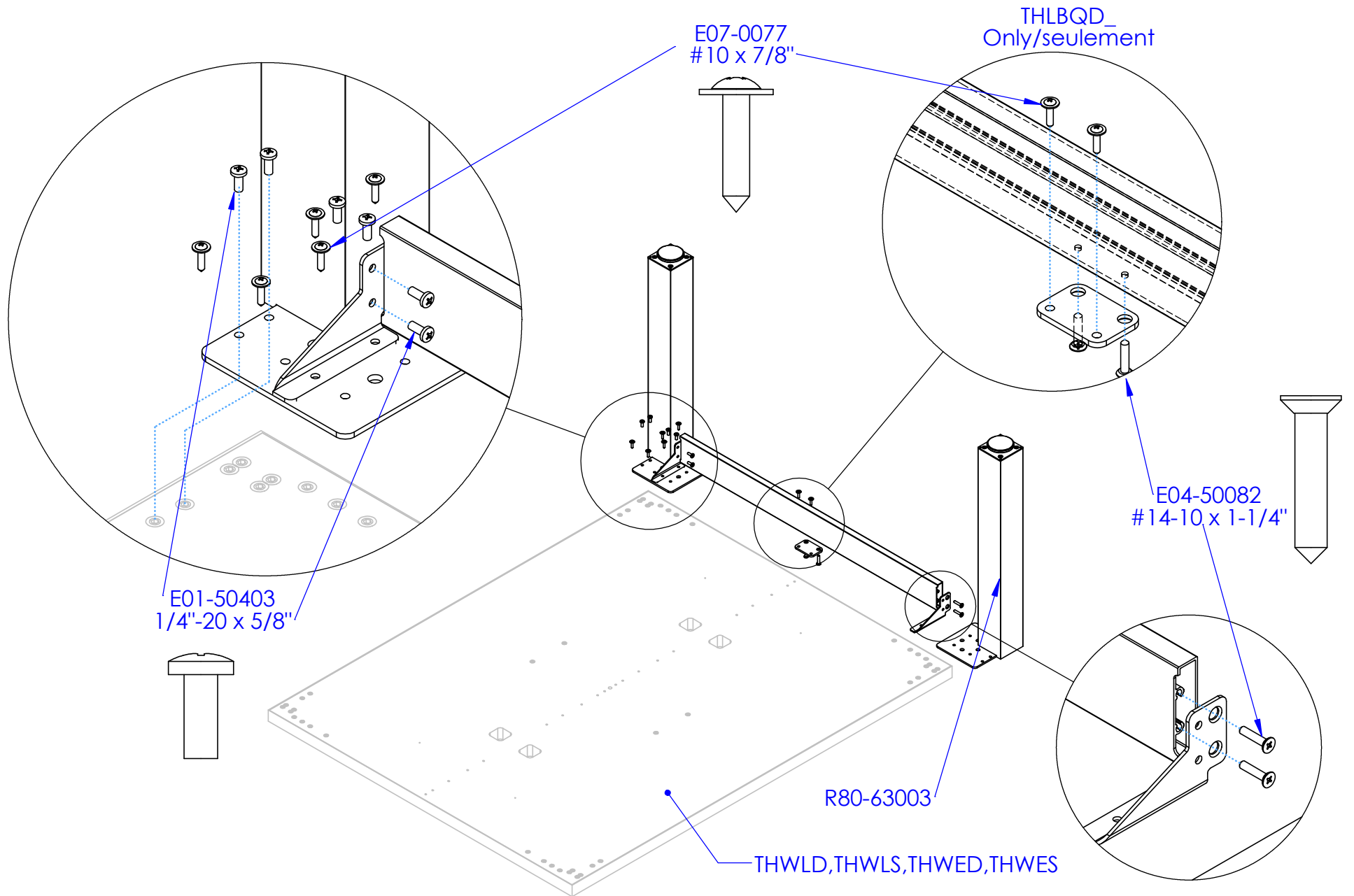
**THLS (single)**

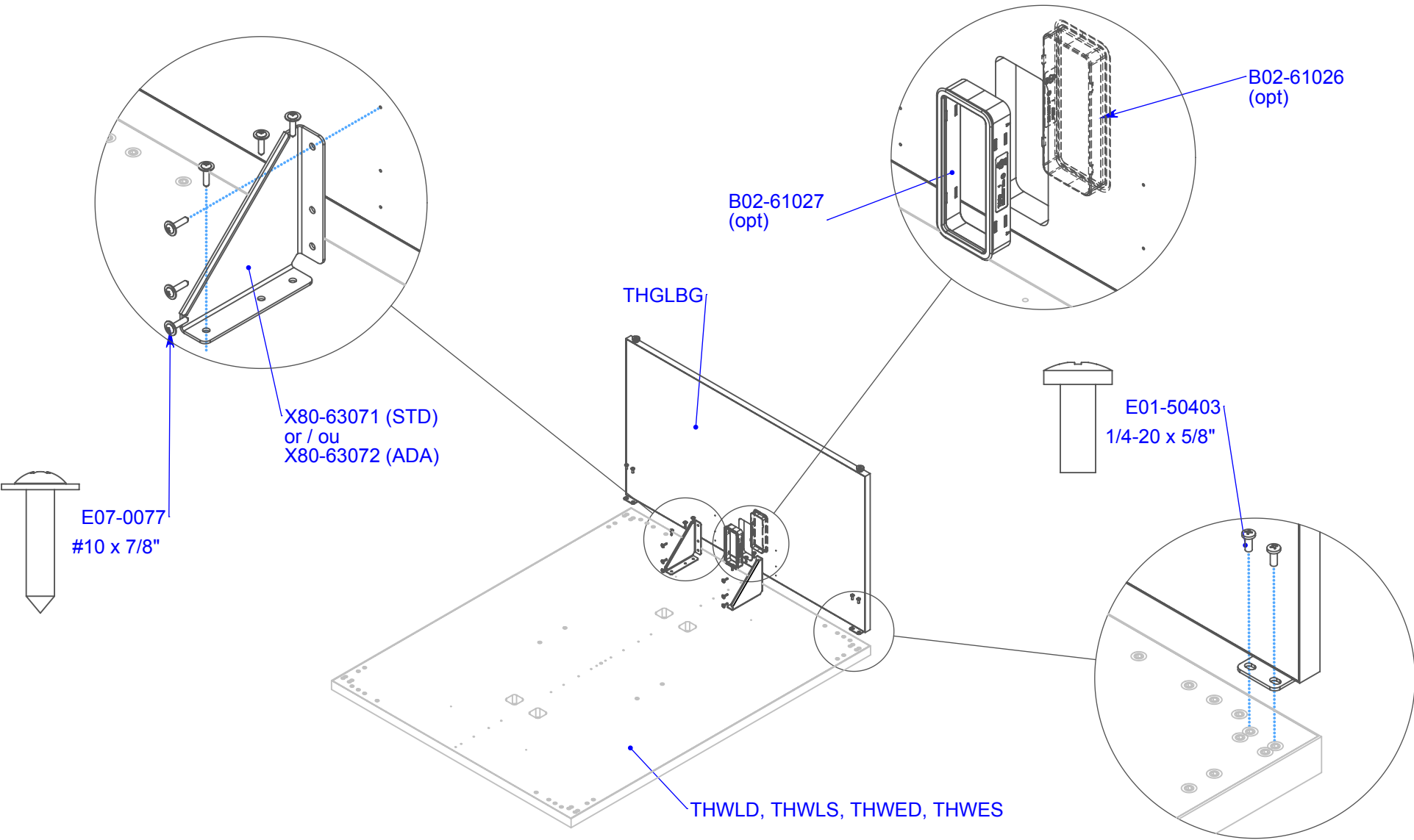


**B02-63028**  
 First screw the clips into the pilot holes  
 and then install the cable tray.  
 Visser d'abord les clips dans les prétrous  
 et installer ensuite le passe-fils.



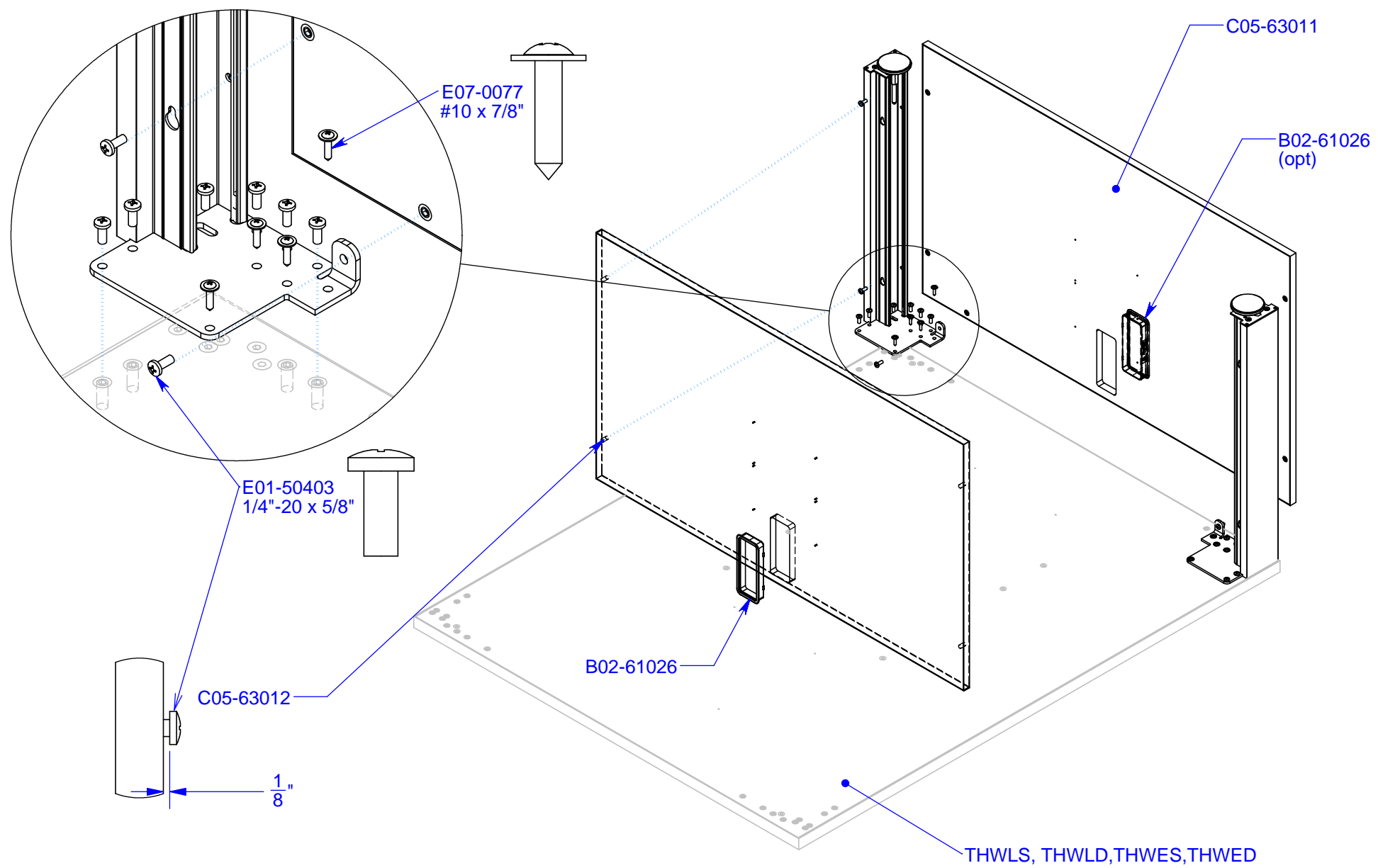


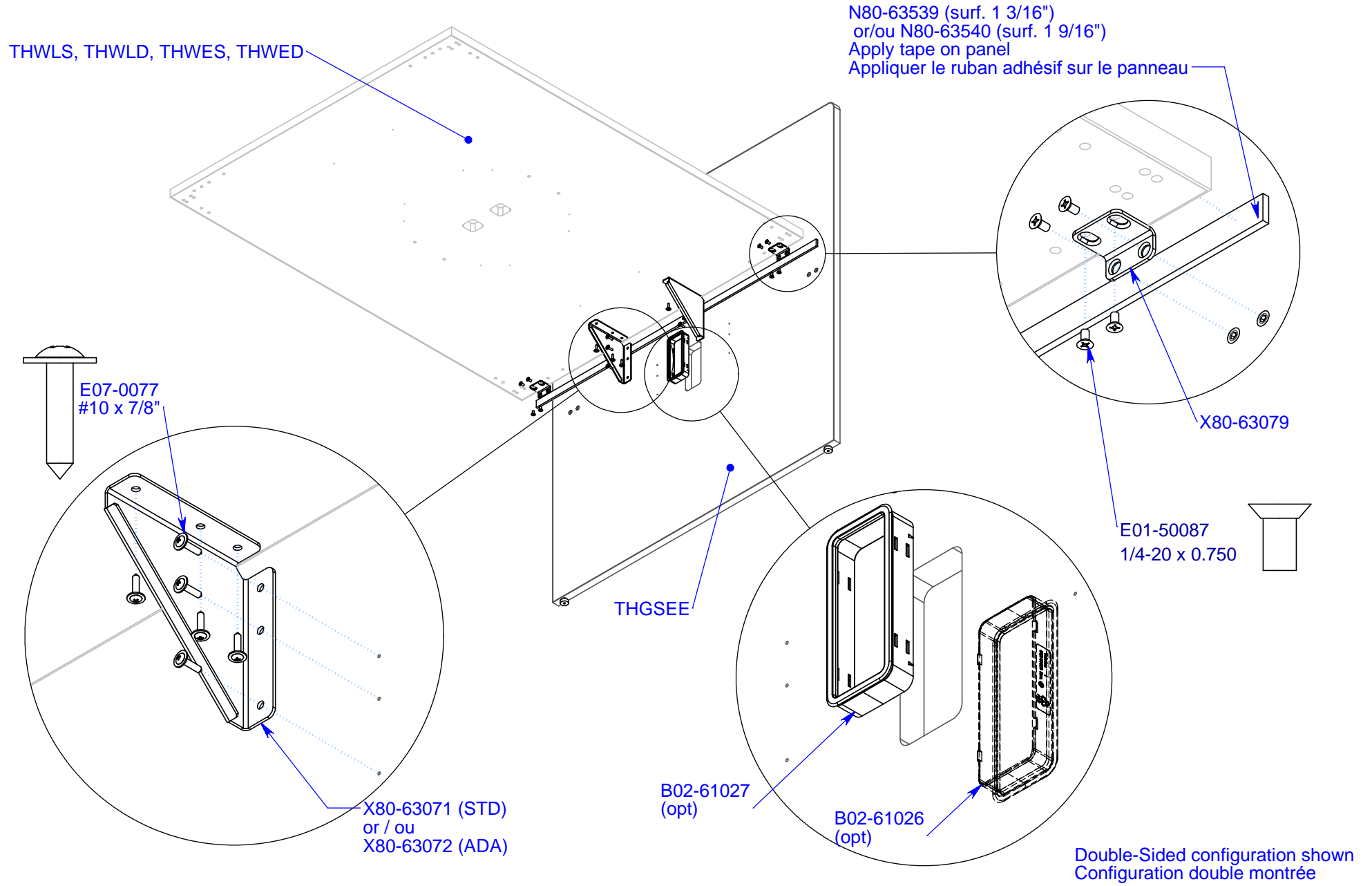




Double-Sided configuration shown  
Configuration double montrée

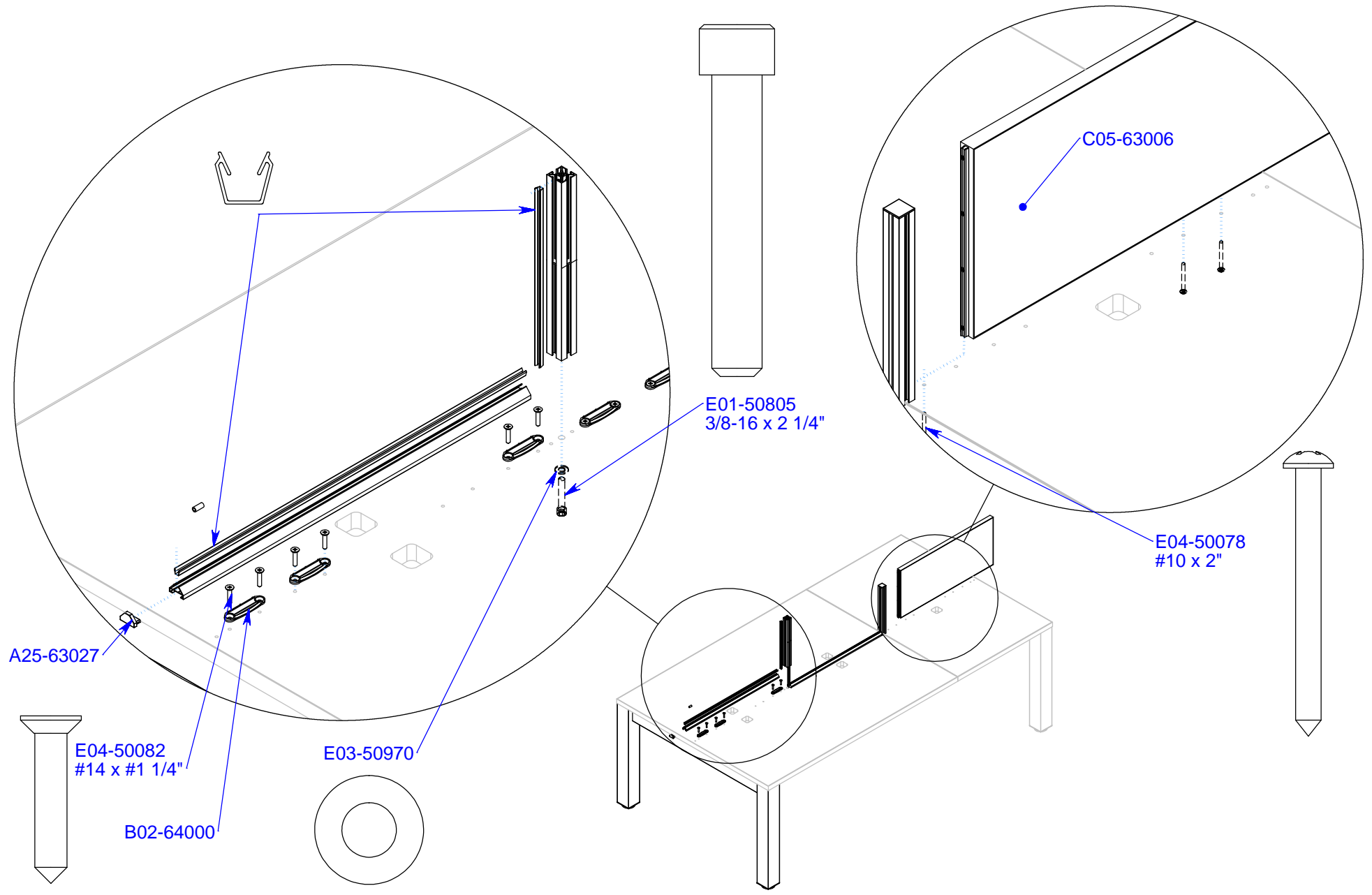






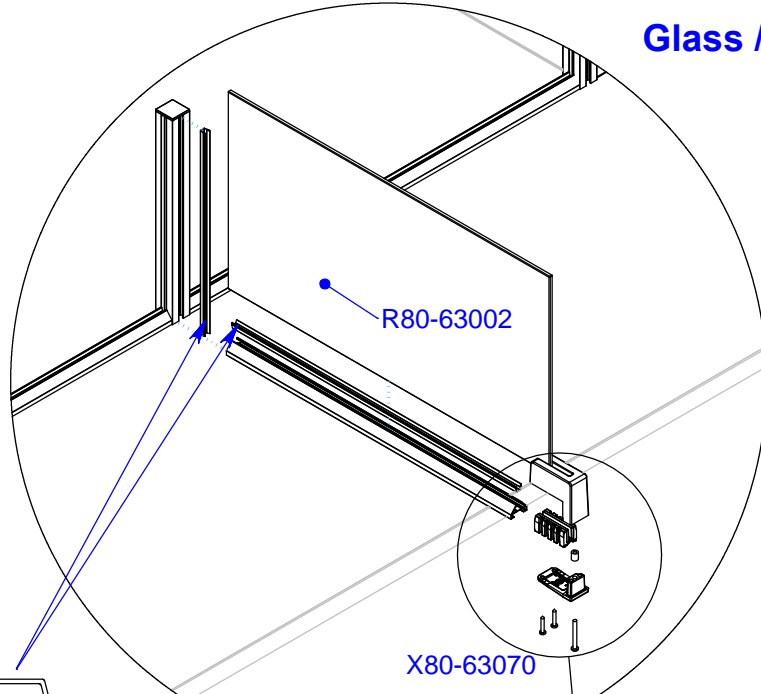
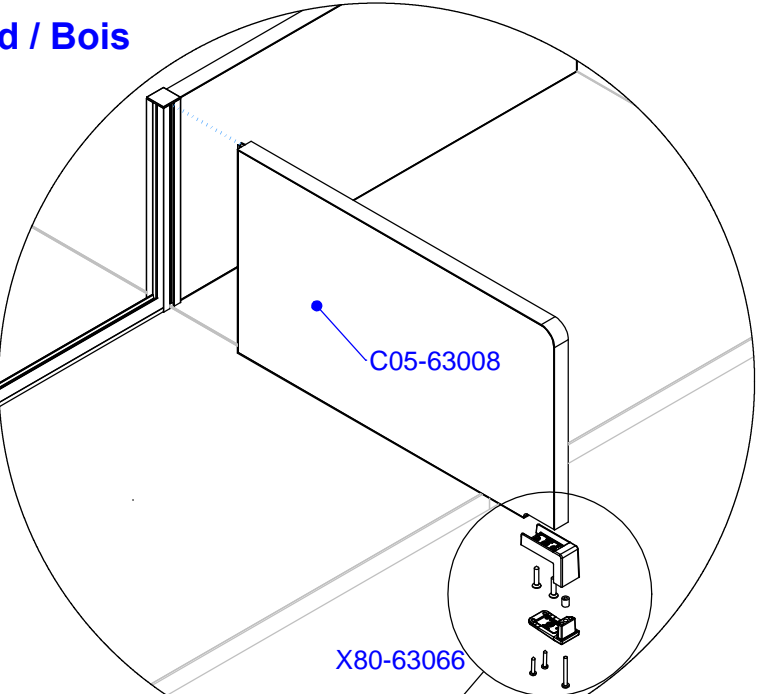


THSCD-THSCS - Carrel Dividers / Cloisons pour Carrel

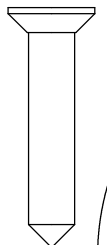


**Wood / Bois**

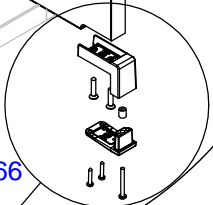
**Glass / Verre**



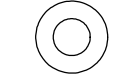
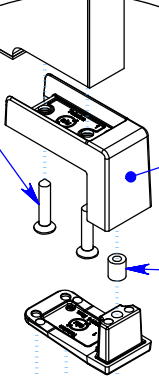
E04-50082  
#14 x 1 1/4"



X80-63066



A25-63016

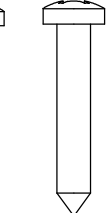
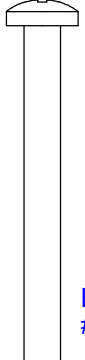
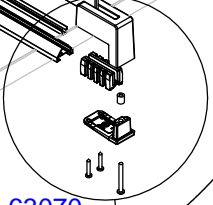


E03-51056  
Manchon  
Nylon  
Sleeve

Use with 1 9/16"  
thick surfaces  
Utiliser avec les  
surfaces 1 9/16"  
d'épaisseur

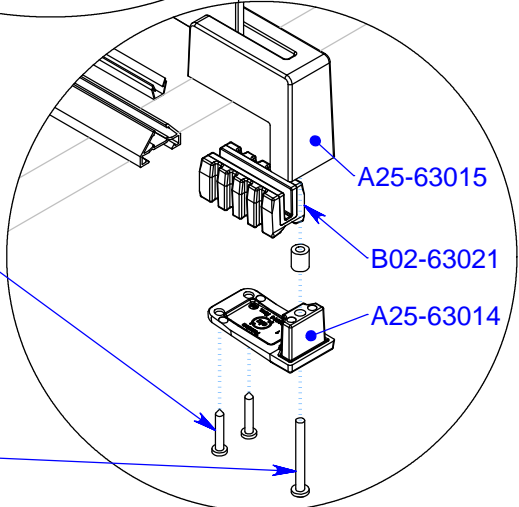


X80-63070



402102  
#8 x 1"

E01-50806  
#10-24 x 1 3/4"



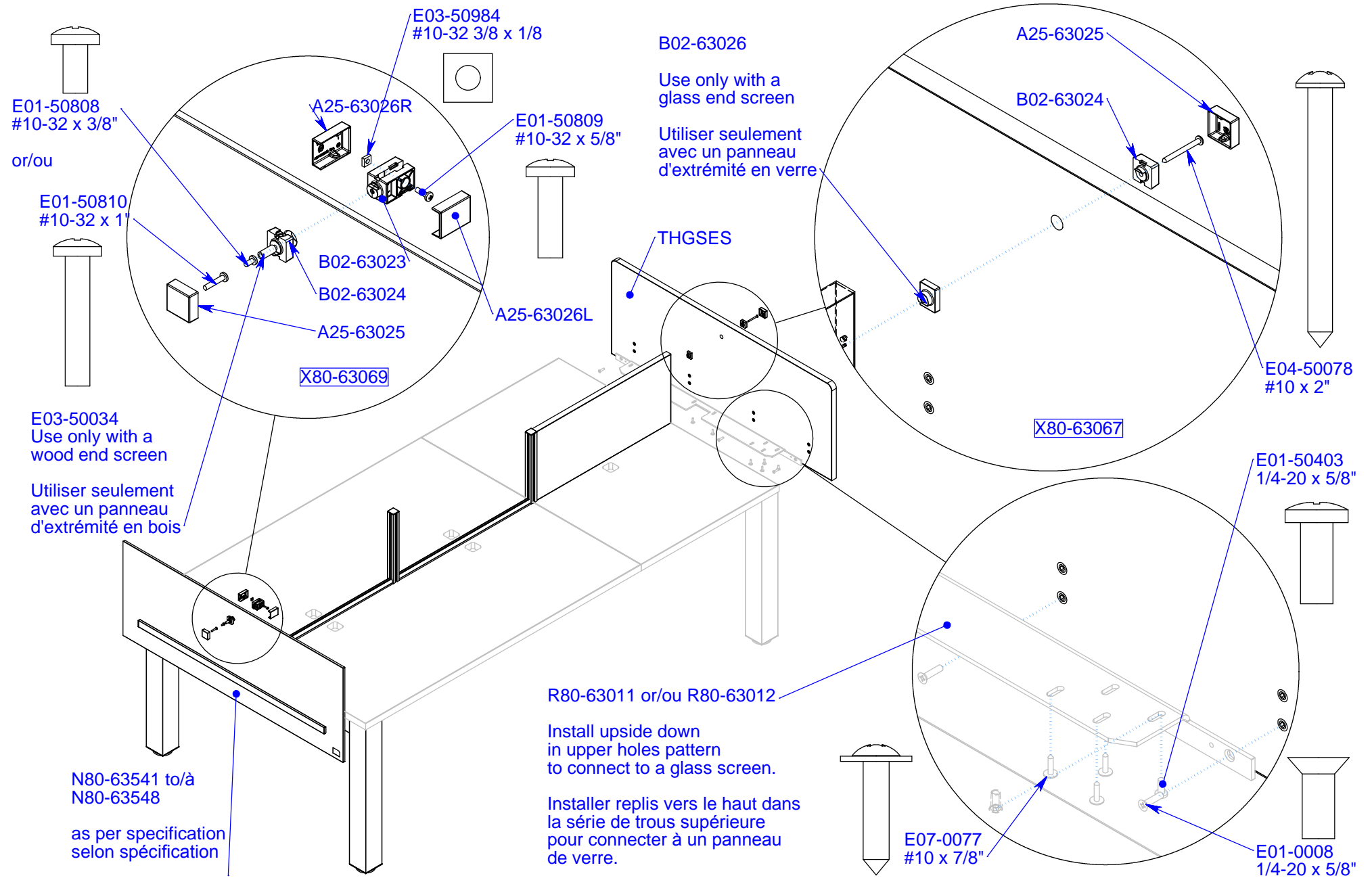
A25-63015

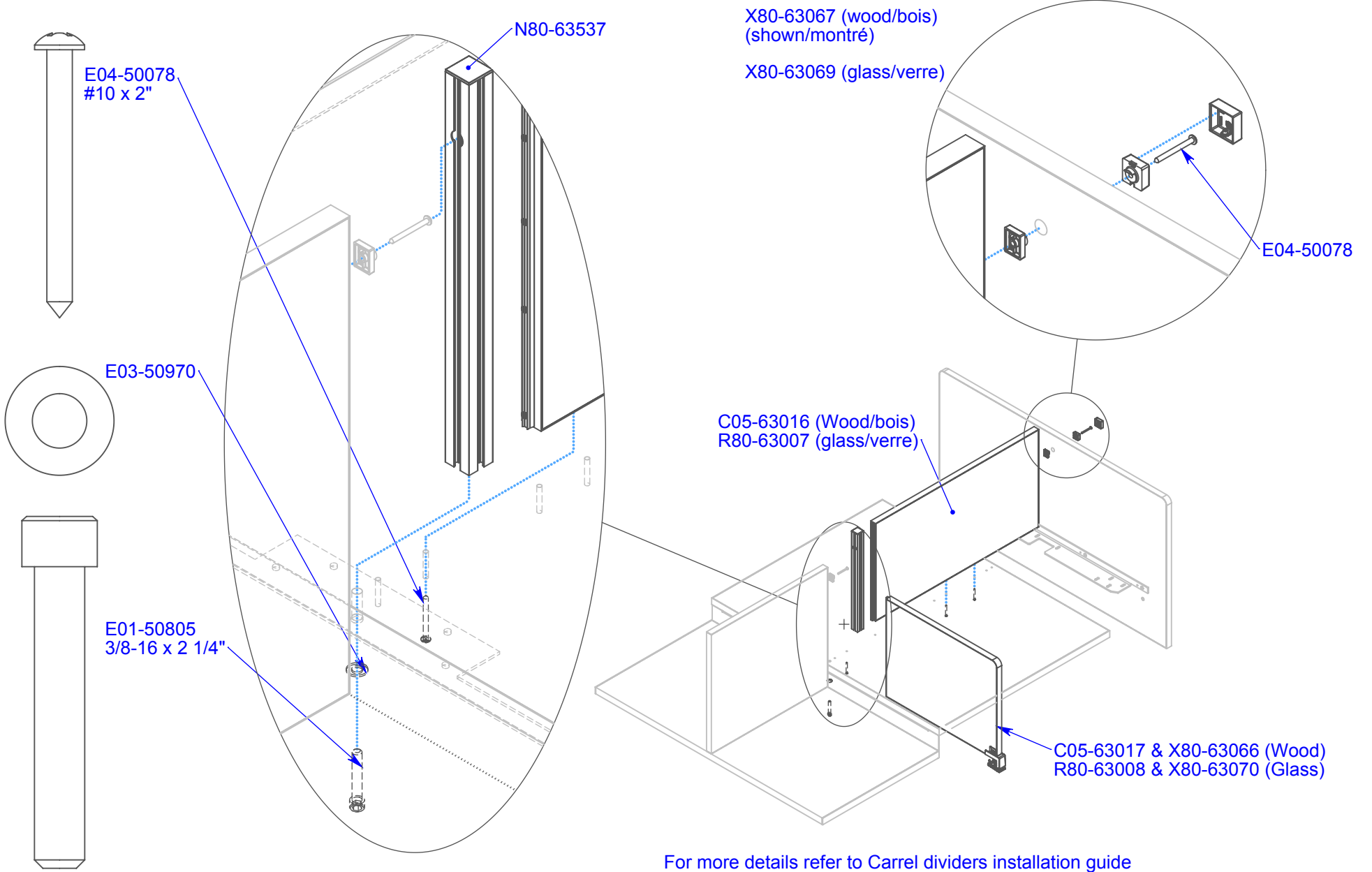
B02-63021

A25-63014

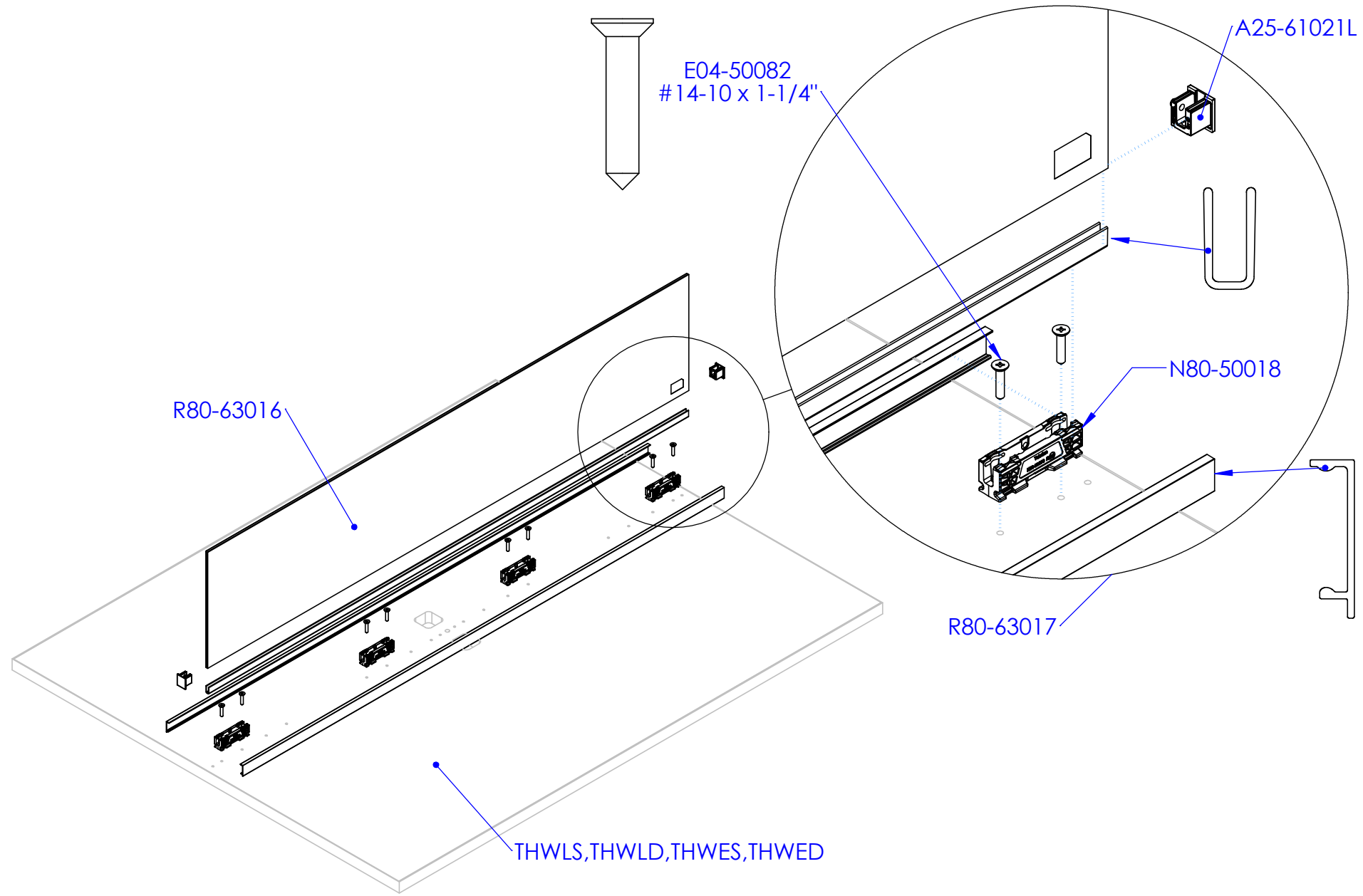


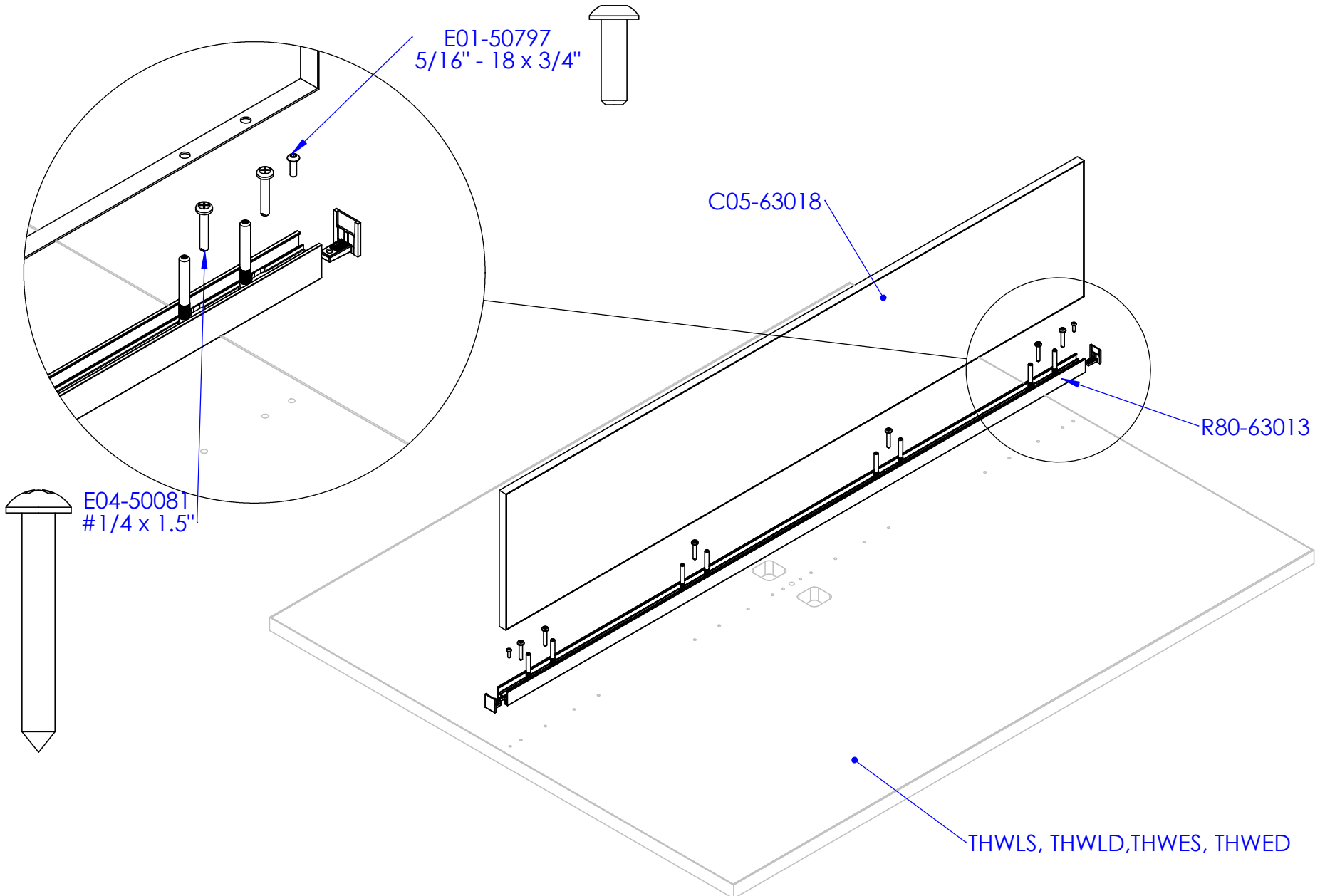
THSCD-THSCS - Carrel Dividers / Cloisons pour Carrel



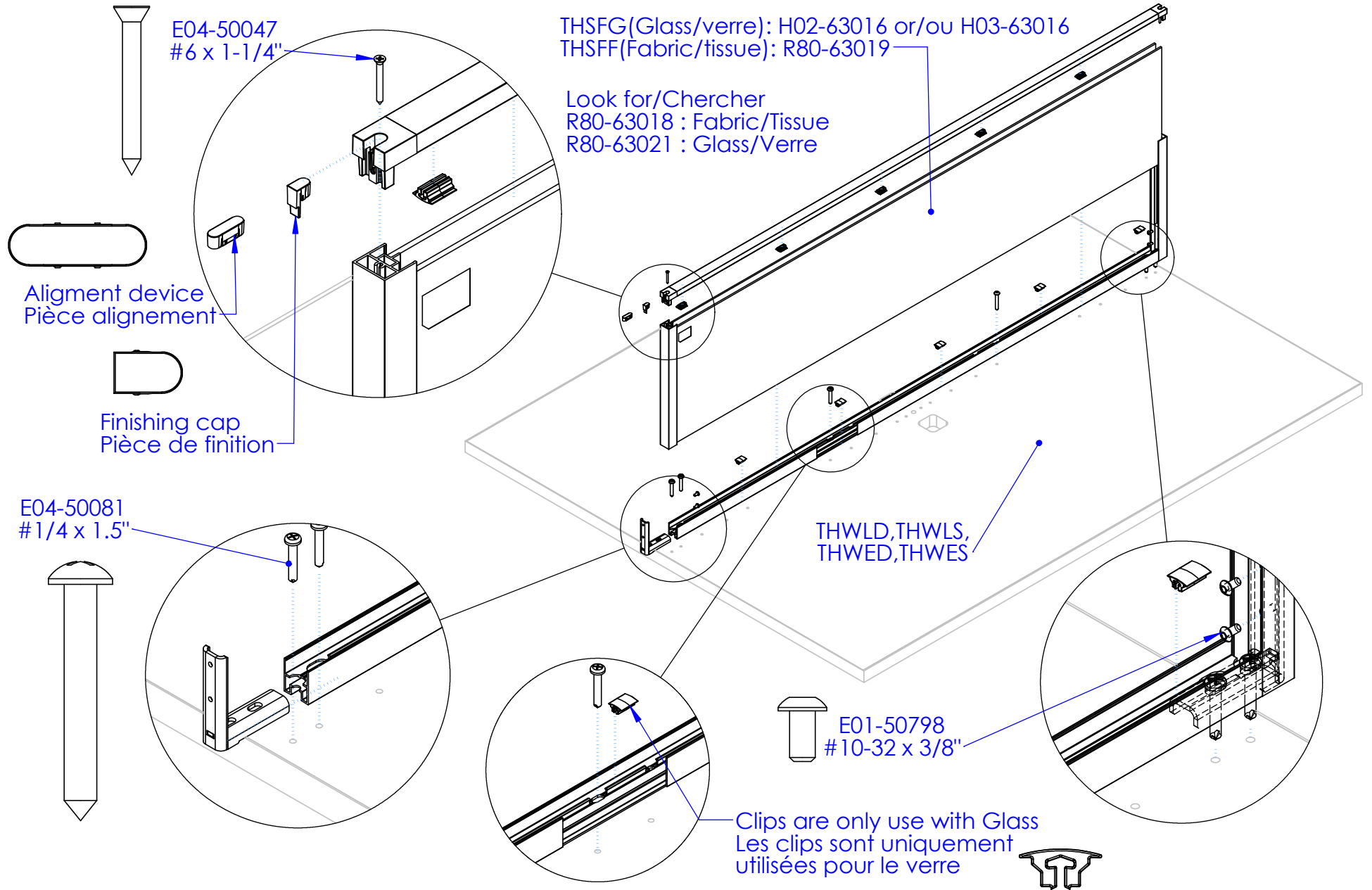


For more details refer to Carrel dividers installation guide  
 Pour plus de détails se référer au guide d'installation des cloisons de carrel



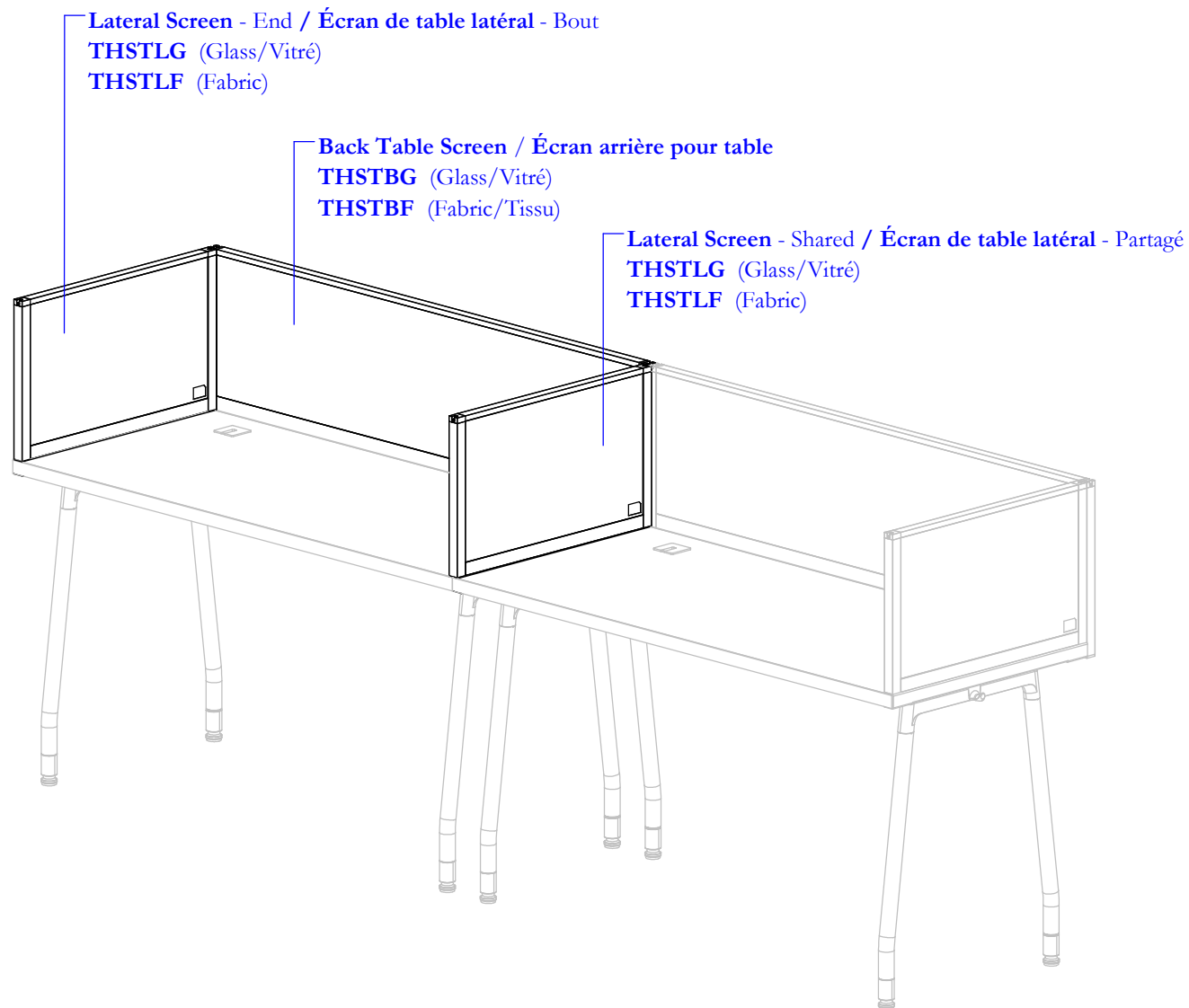






## THSTBG, THSTBF, THSTLG, THSTLF -

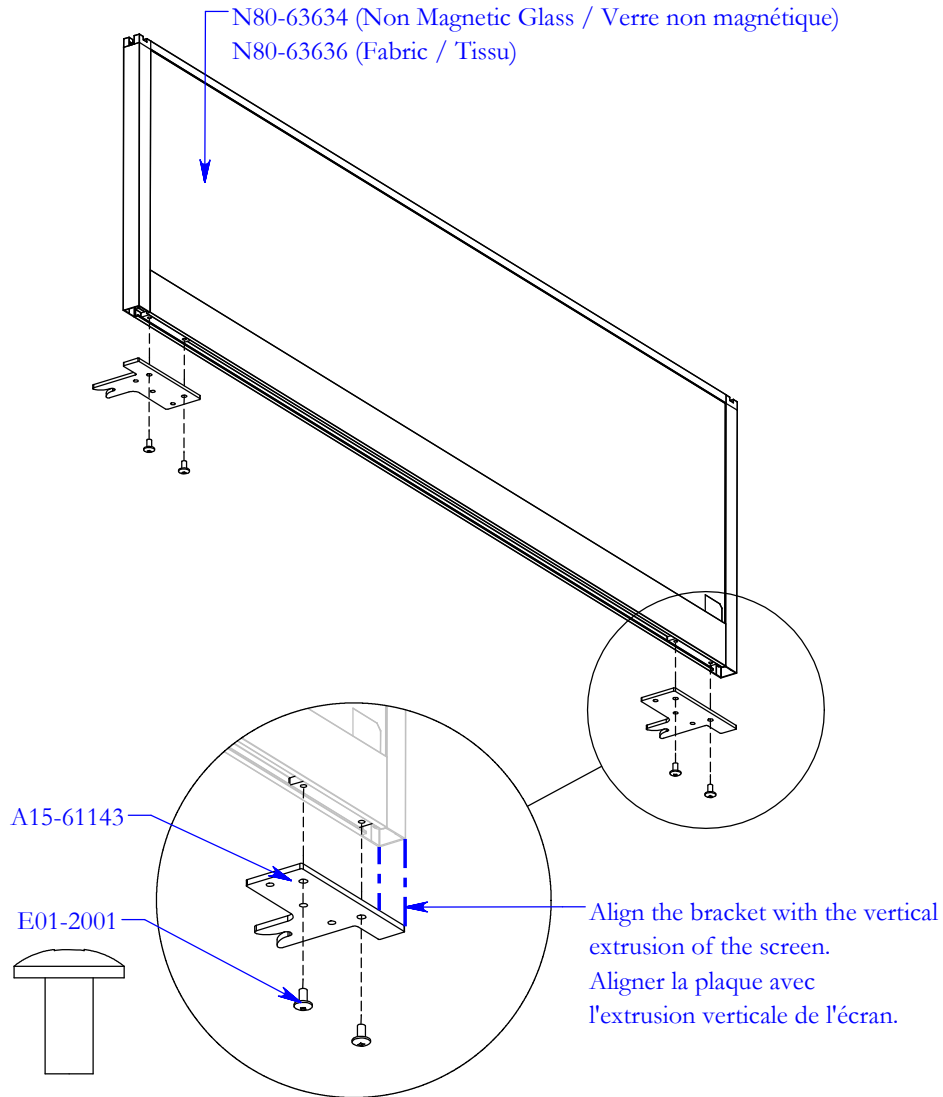
Back Table Screen + Lateral Table Screen (Glass or Fabric) / Écran arrière pour table + Écran de table latéral (vitré ou tissu) THE\_28



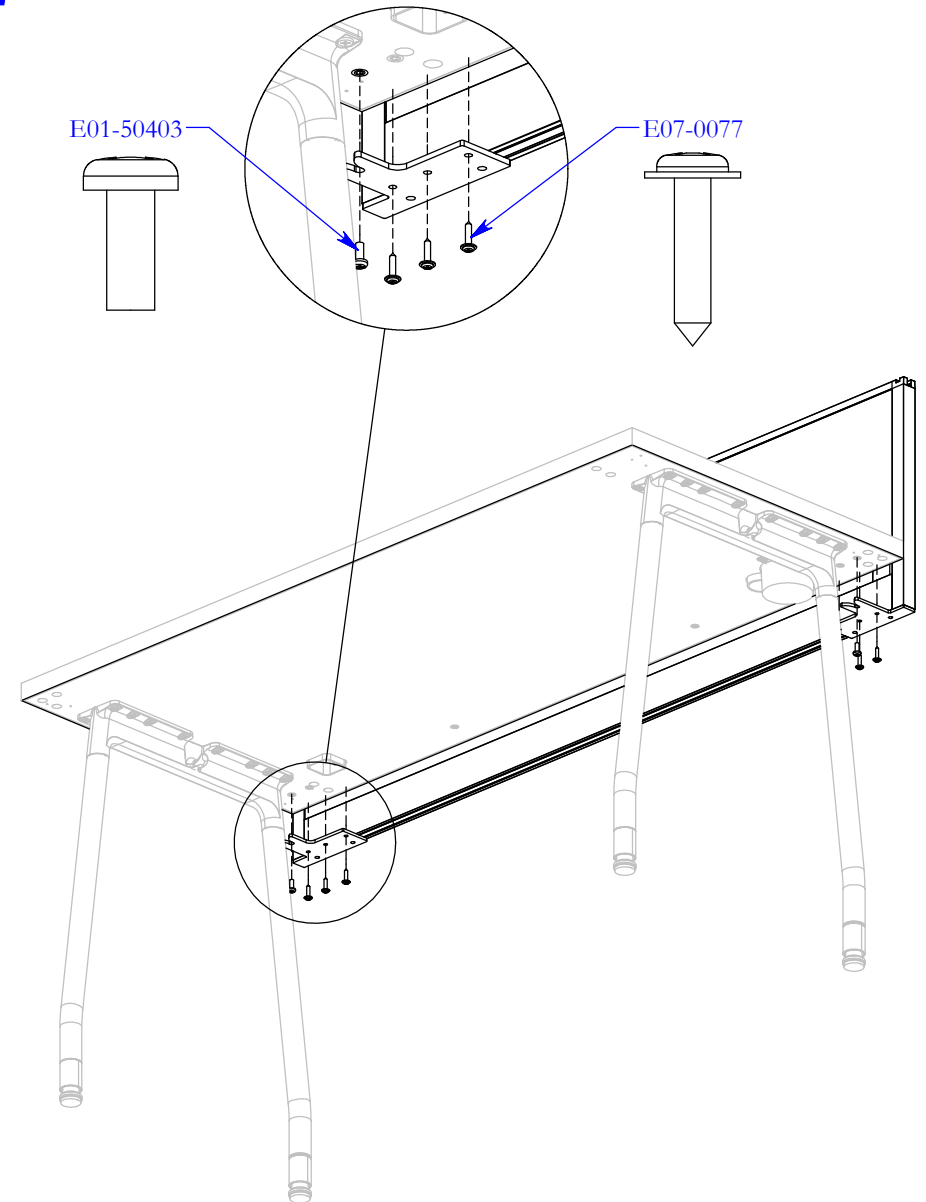
## THSTBG, THSTBF, THSTLG, THSTLF -

Back Table Screen + Lateral Table Screen (Glass or Fabric) / Écran arrière pour table + Écran de table latéral (vitré ou tissu) THE\_28

1

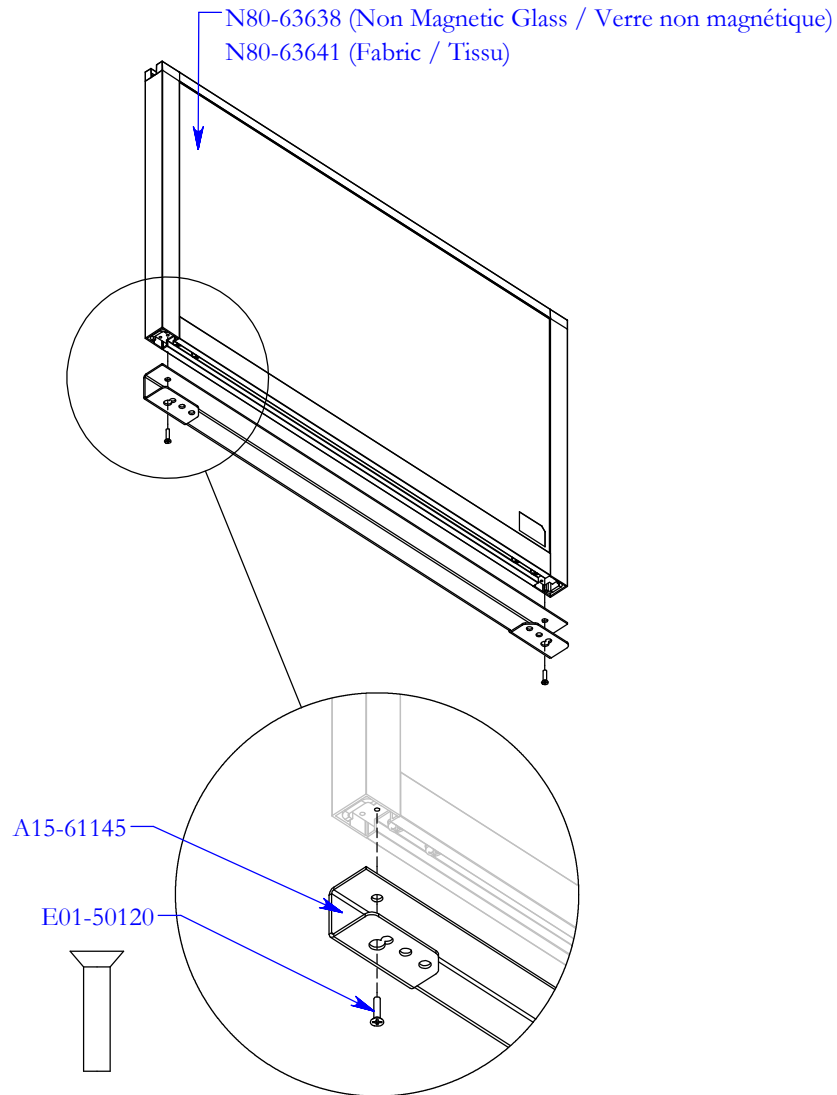


2

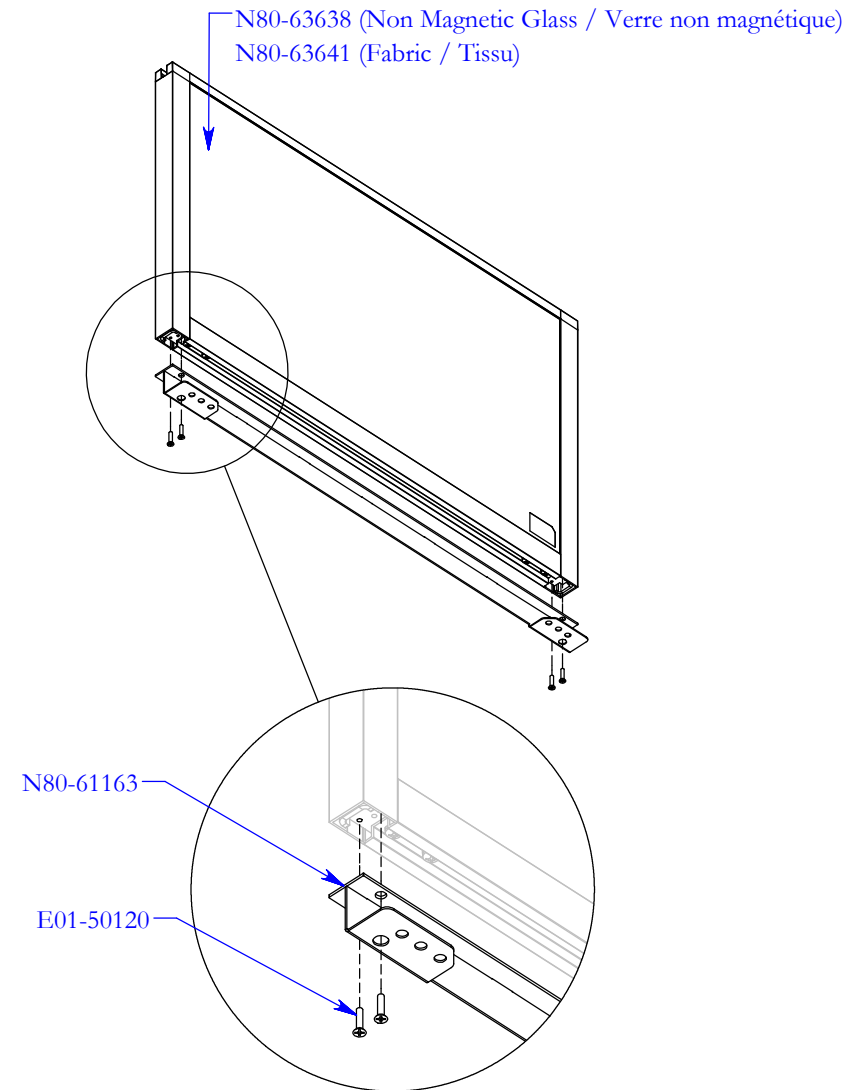


## 3

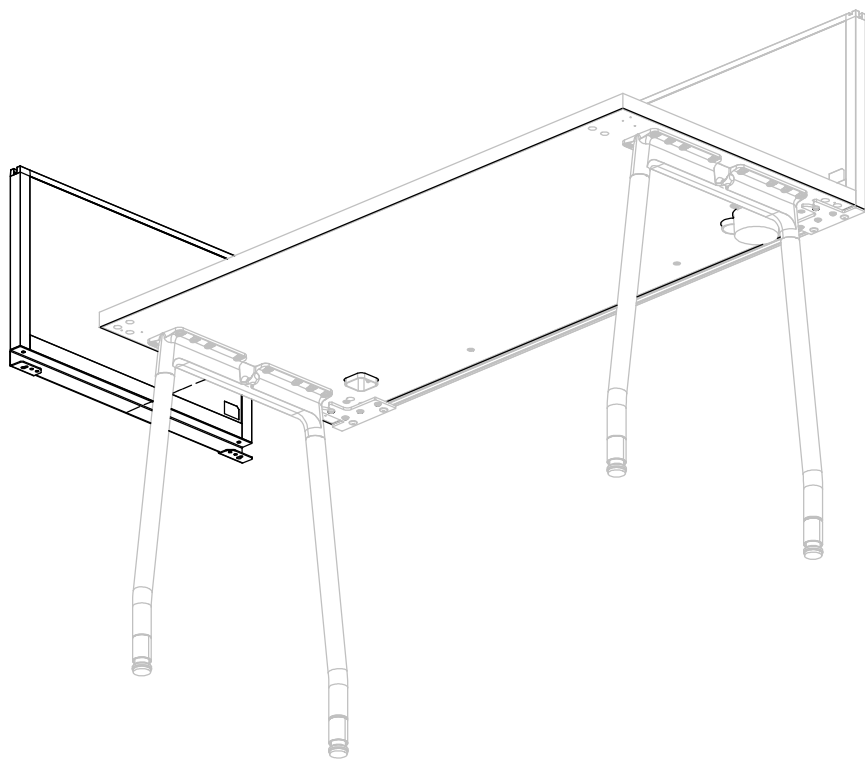
### END SCREEN ÉCRAN DE BOUT



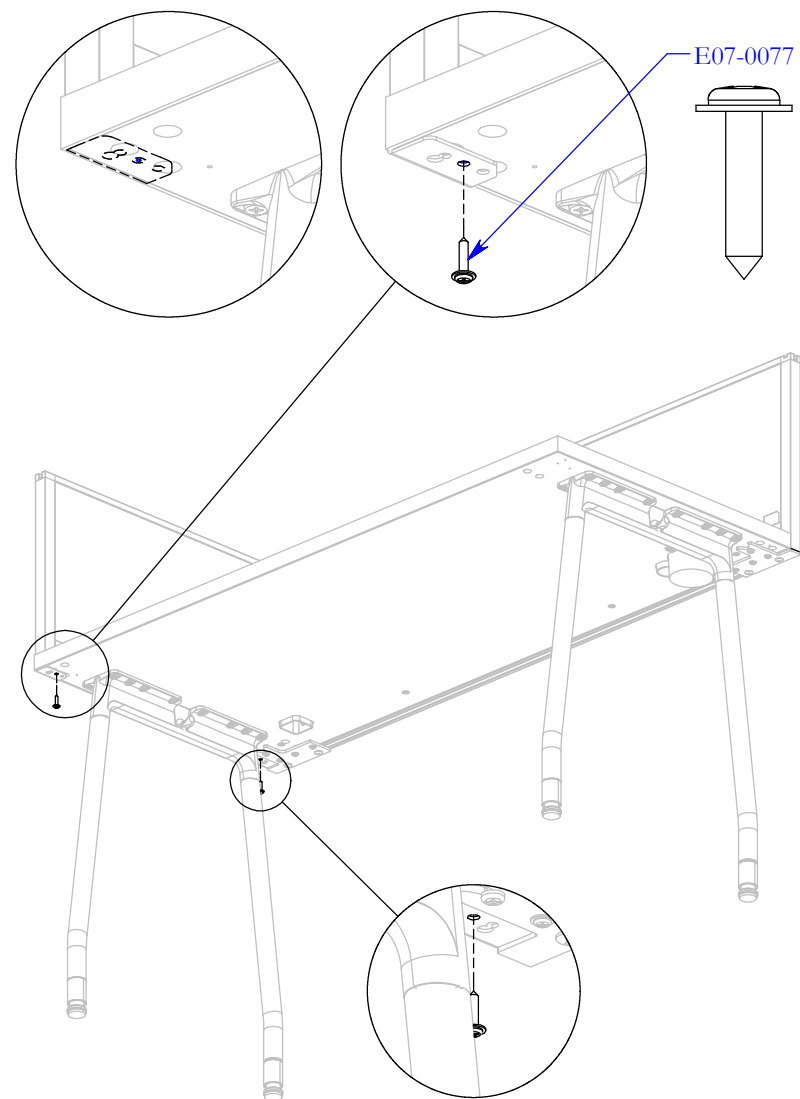
### SHARED SCREEN ÉCRAN PARTAGÉ



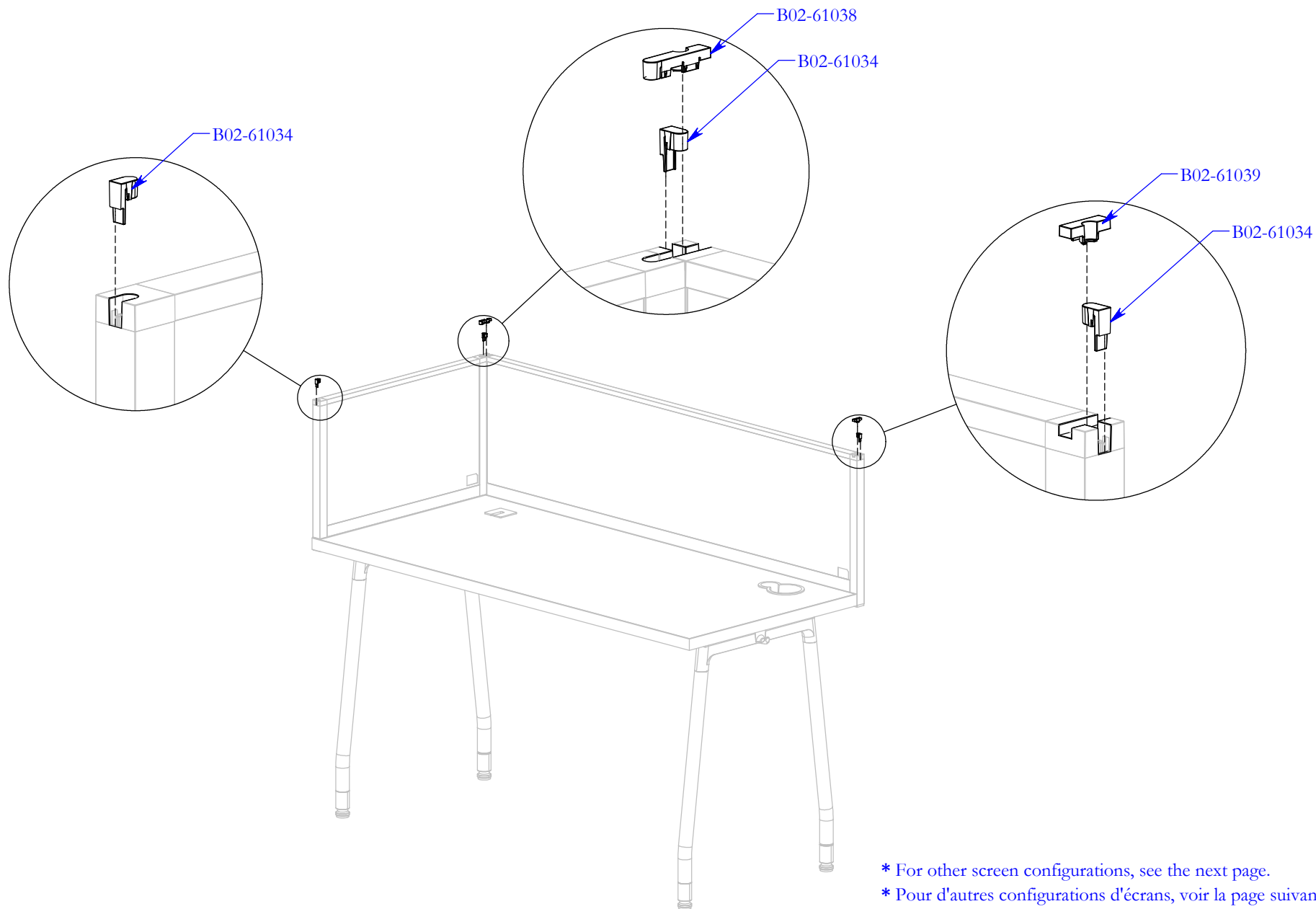
4



5



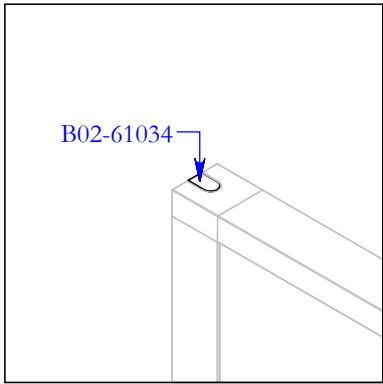
## 6



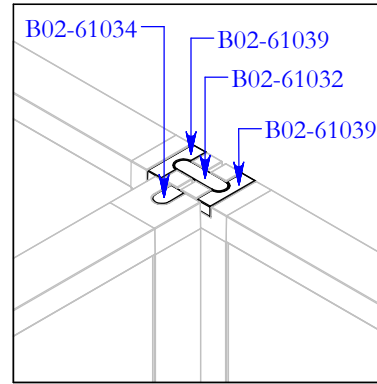
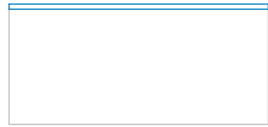
\* For other screen configurations, see the next page.  
 \* Pour d'autres configurations d'écrans, voir la page suivante.

## THSTBG, THSTBF, THSTLG, THSTLF -

Back Table Screen + Lateral Table Screen (Glass or Fabric) / Écran arrière pour table + Écran de table latéral (vitré ou tissu) THE\_28

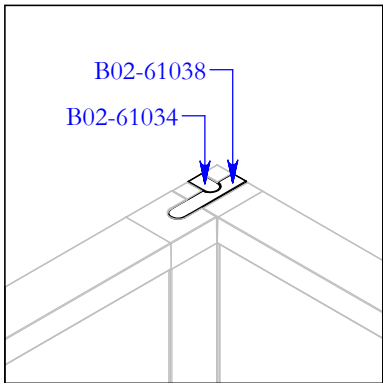


1 Back Table Screen / Écran arrière pour table



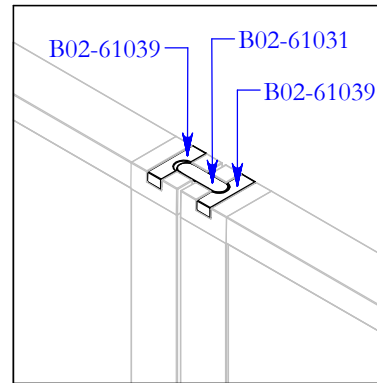
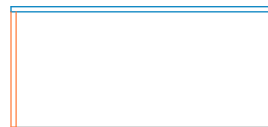
2 Back Table Screens / Écrans arrière pour table

1 Lateral Table Screen (shared) / Écran de table latéral (partagé)

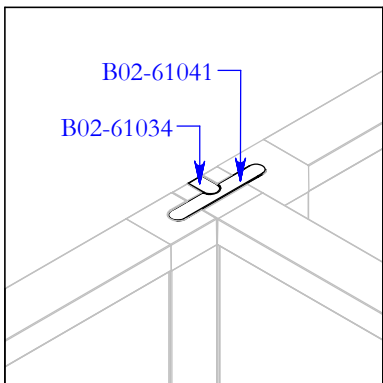


1 Back Table Screen / Écran arrière pour table

1 Lateral Table Screen (end) / Écran de table latéral (bout)

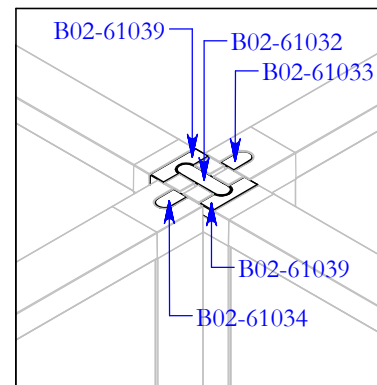
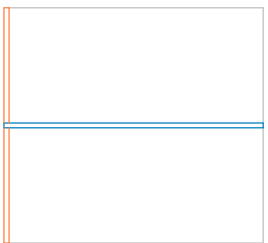


2 Back Table Screens / Écrans arrière pour table



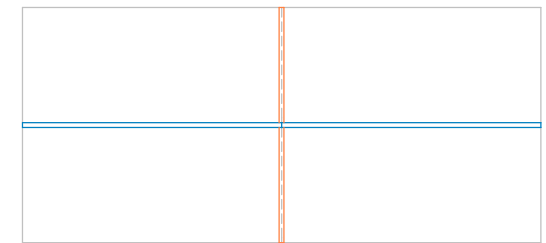
1 Back Table Screen / Écran arrière pour table

2 Lateral Table Screens (end) / Écrans de table latéral (bout)

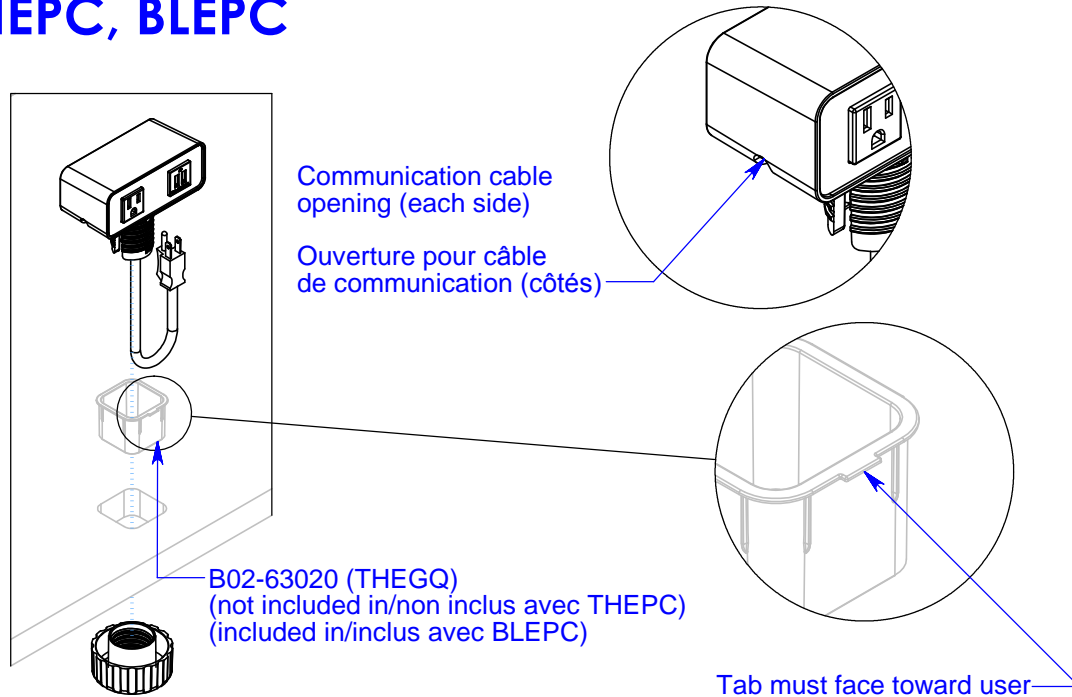


2 Back Table Screens / Écrans arrière pour table

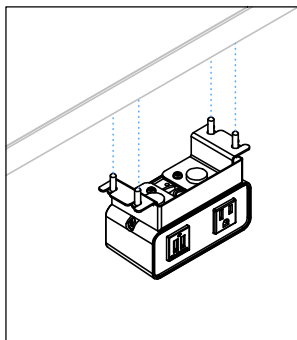
2 Lateral Table Screens (shared) / Écrans de table latéral (partagés)



## THEPC, BLEPC

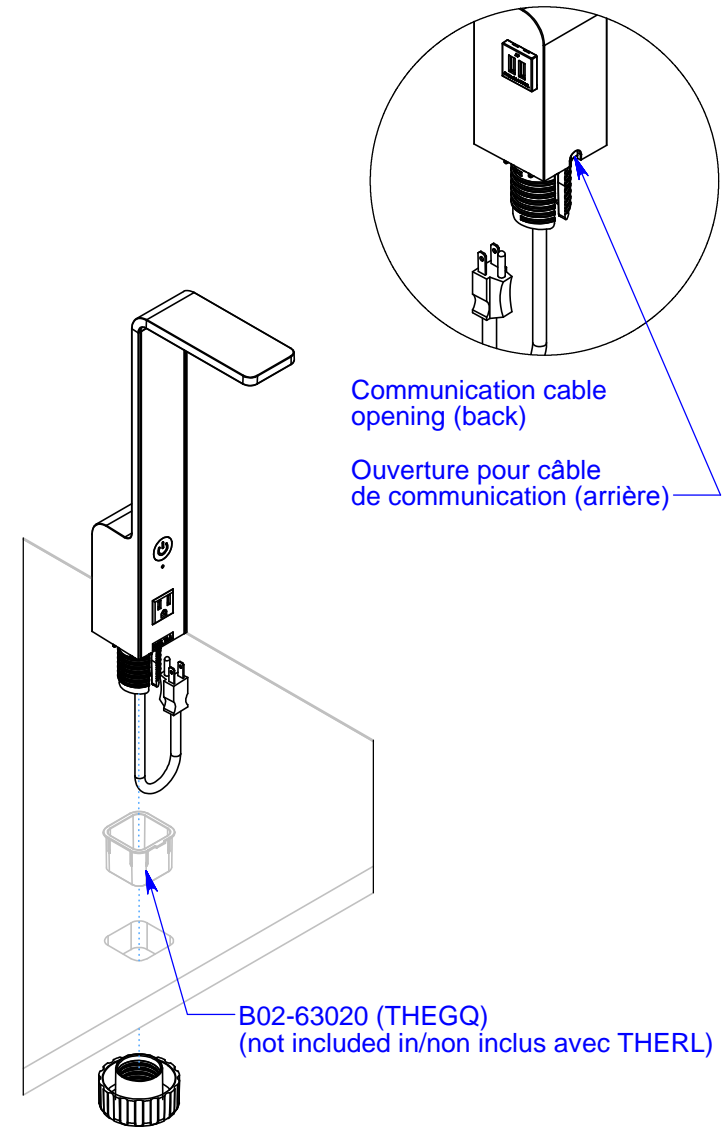


Mounting Option : Square Grommet (not included)  
Option de montage : Passe-fil carré (non inclus)



Mounting Option : Under worksurface (THEPC)  
Option de montage : Sous la surface (THEPC)

## THERL





**expansion desking, expansion casegoods, tables & collaborative spaces and thesis Installation Guides**

Expansion Desking Section – **Lighting, Electrics & Communications**

No. **1297**

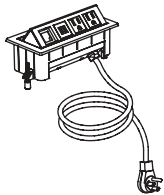
Expansion Casegoods Section – **Lighting, Electrics & Communications**

Tables & Coll. Spaces (Expansion Training) Section – **Lighting, Electrics & Communications**

Thesis Section – **Lighting, Electrics & Communications**

BLMC, RLDMC, CLMC or THEPDC Power/Data Center

**Product**



**BLMC, RLDMC, CLMC & THEPDC**

**TOOLS REQUIRED:**

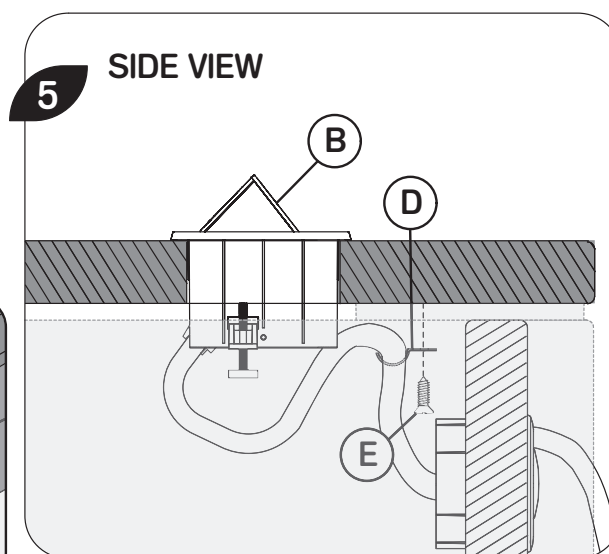
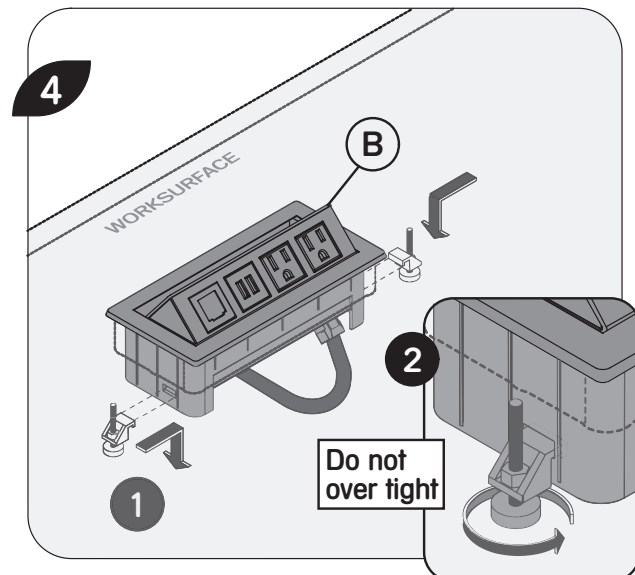
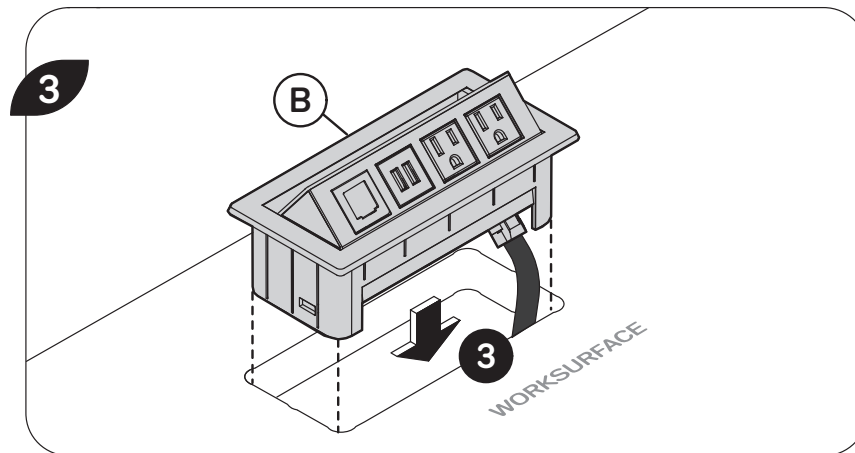
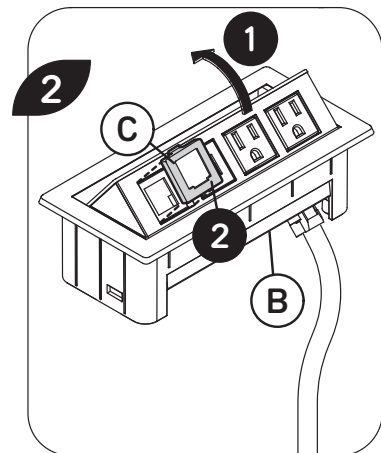
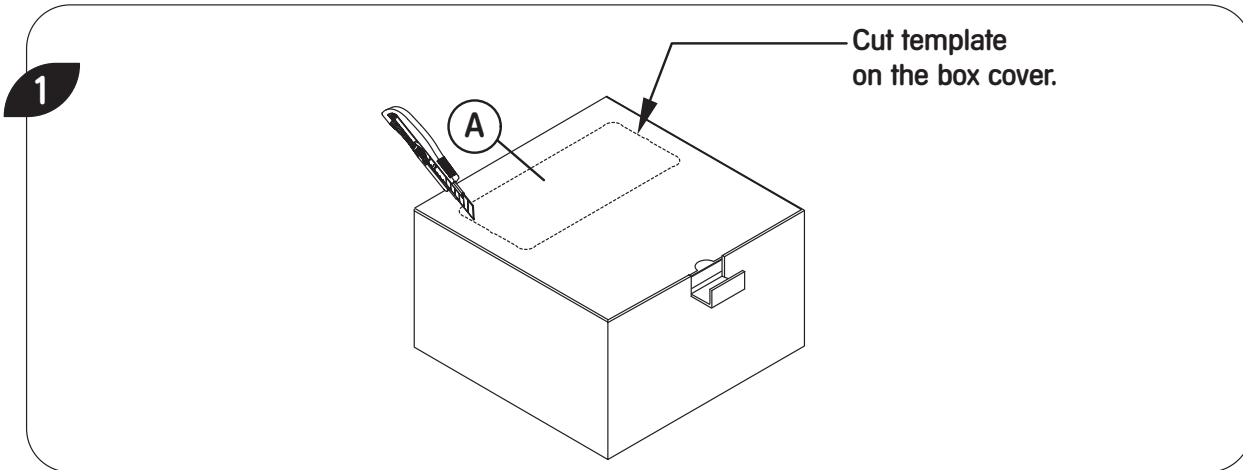
Cross Drive #2, Utility Knife, 1/8" and 3/8" Wood Drill, Power Driver, Jigsaw, and Pencil

**Power Data/Center - Part / Product Identification and What's Included**

Ref.	Illustration	Description	Part No. / Prod. Code	Qty.
<b>A</b>		Template	N/A	1
<b>B</b>		Power/Data Center (221) (2 Power / 2 USB / 1 Data)  or  Power/Data Center (301) (3 Power / USB / 1 Data)	BLMC or RLDMC or CLMC or THEPDC	1
<b>C</b>		Face Plates	N/A	12
<b>D</b>		Wire Management Clip	N/A	2
<b>E</b>		Quadrex Flat Head Tapping Screw, Type A Zinc	N/A	2

BLMC, RLDMC, CLMC or THEPDC Power/Data Center

## POWER/DATA CENTER INSTALLATION



RLUDB – Communication Box  
THEPD – Communication Box

**Product**



RLUDB or THEPD

**TOOLS REQUIRED:**  
Cross or Square Drive #3.

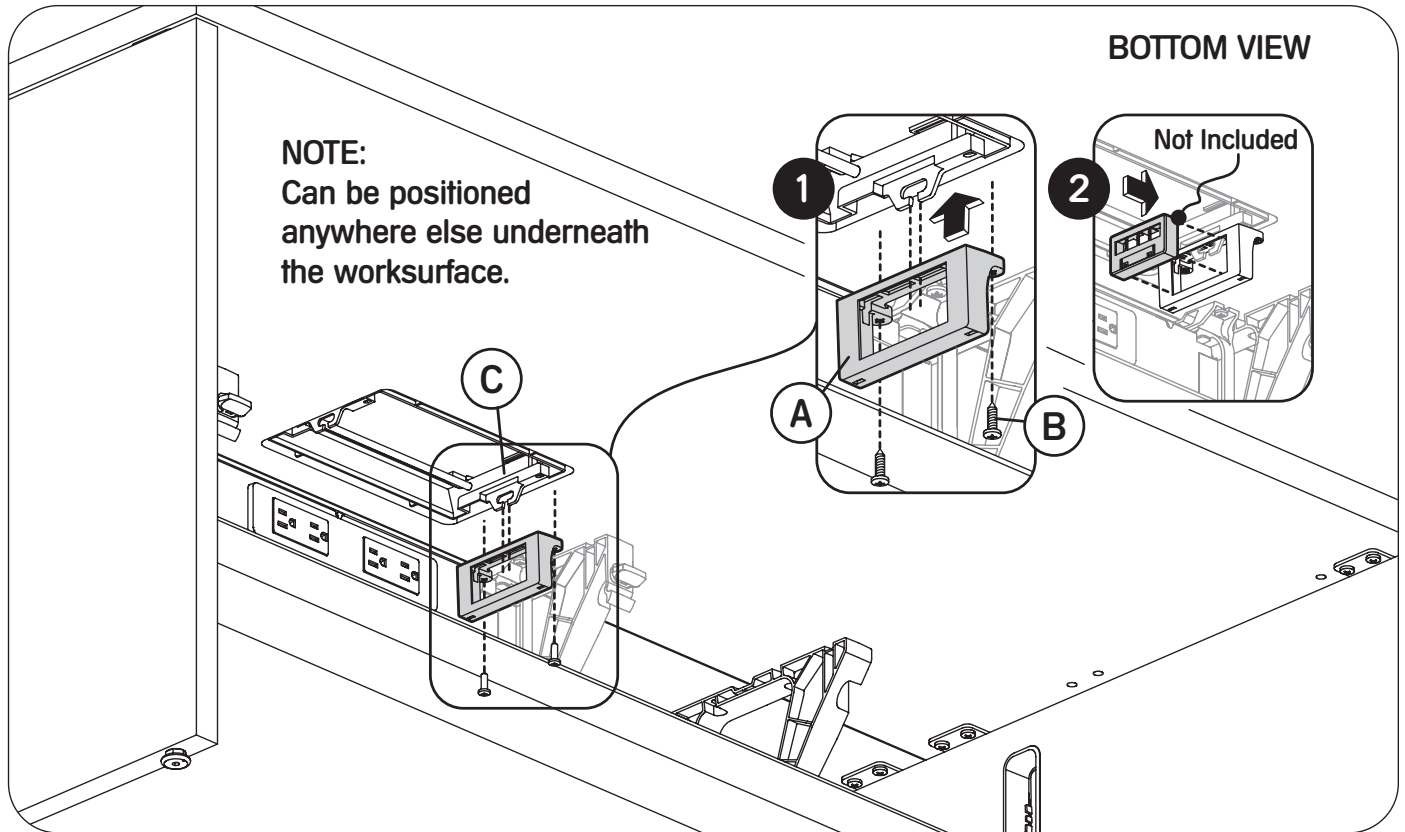
**RLUDB or THEPD - Part / Product Identification and What's Included**

Ref.	Illustration	Description	Part No. / Prod. Code	Qty.
<b>A</b>		Communication Box	B02-61035	1
<b>B</b>		#12 x 3/4" Quadrex Pan Head Wood Screw, Zinc	E04-50017	2

**Part / Product Identification and NOT Included**

Ref.	Illustration	Description	Part No. / Prod. Code	Qty.
<b>C</b>		Access Door	RAGA	N/A

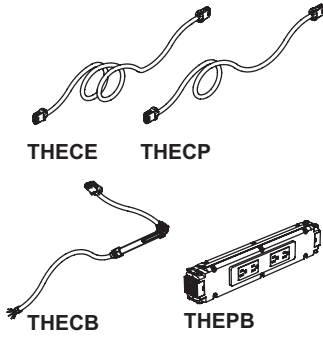
**COMMUNICATION BOX INSTALLATION**



Section – **Lighting, Electrics & Communications**

THECP, THECE, and THECB – Power Harnesses  
 THEPB – Power Box

**Product**



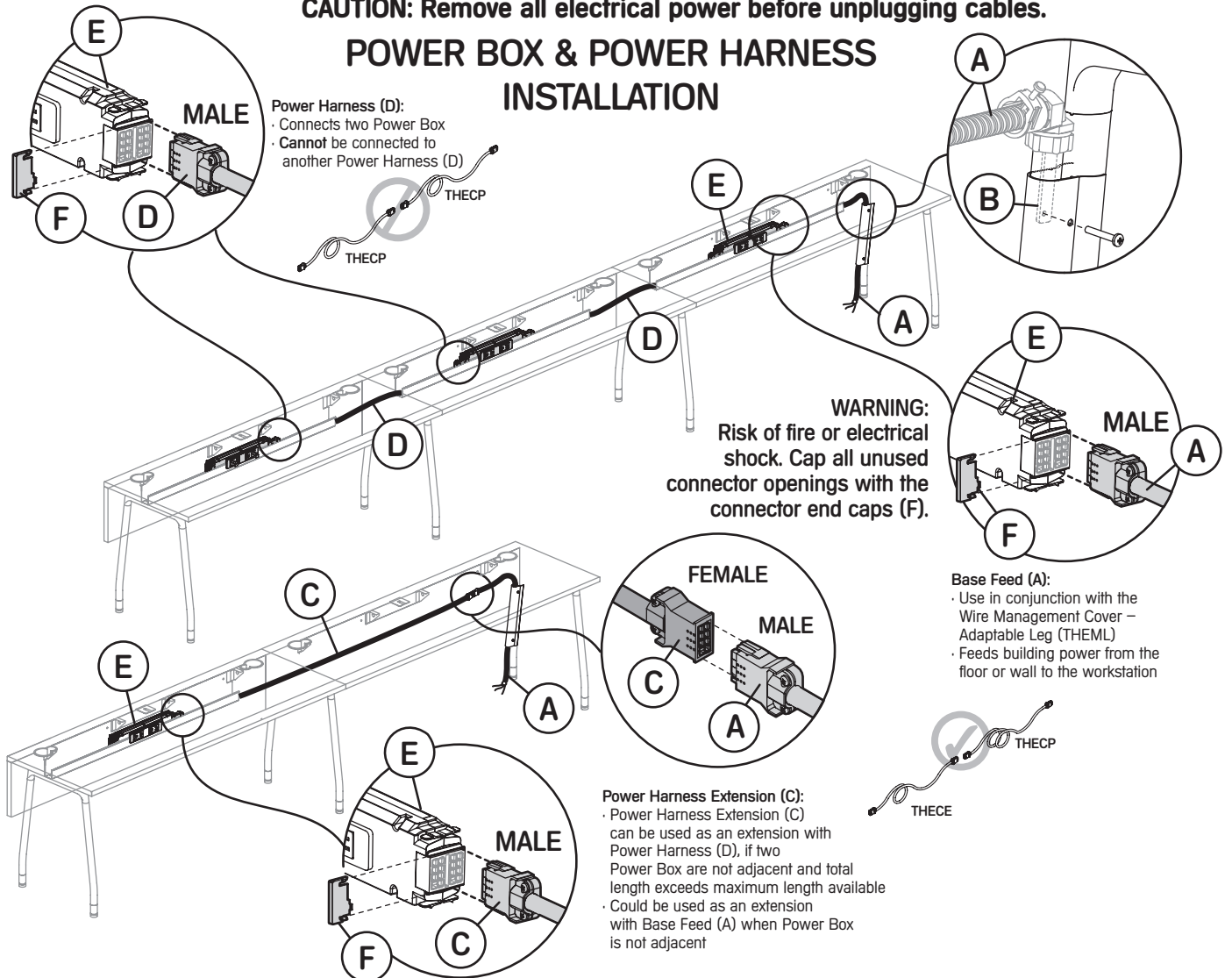
**TOOLS REQUIRED:**  
 Cross or Square Drive #3

**Power Box & Power Harnesses - Part / Product Identification and What's Included**

Ref.	Illustration	Description	Part No. / Prod. Code	Qty.
A		Base Feed	THECB	1
B		Base Feed Bracket Mechanical Screws and Nuts Are included with (THEML)		
C		Power Harness Extension	THECE	1
D		Power Harness	THECP	1
E		Power Box	THEPB	1
F		Connector End Cap	PB02-E041	3

**CAUTION: Remove all electrical power before unplugging cables.**

**POWER BOX & POWER HARNESS INSTALLATION**



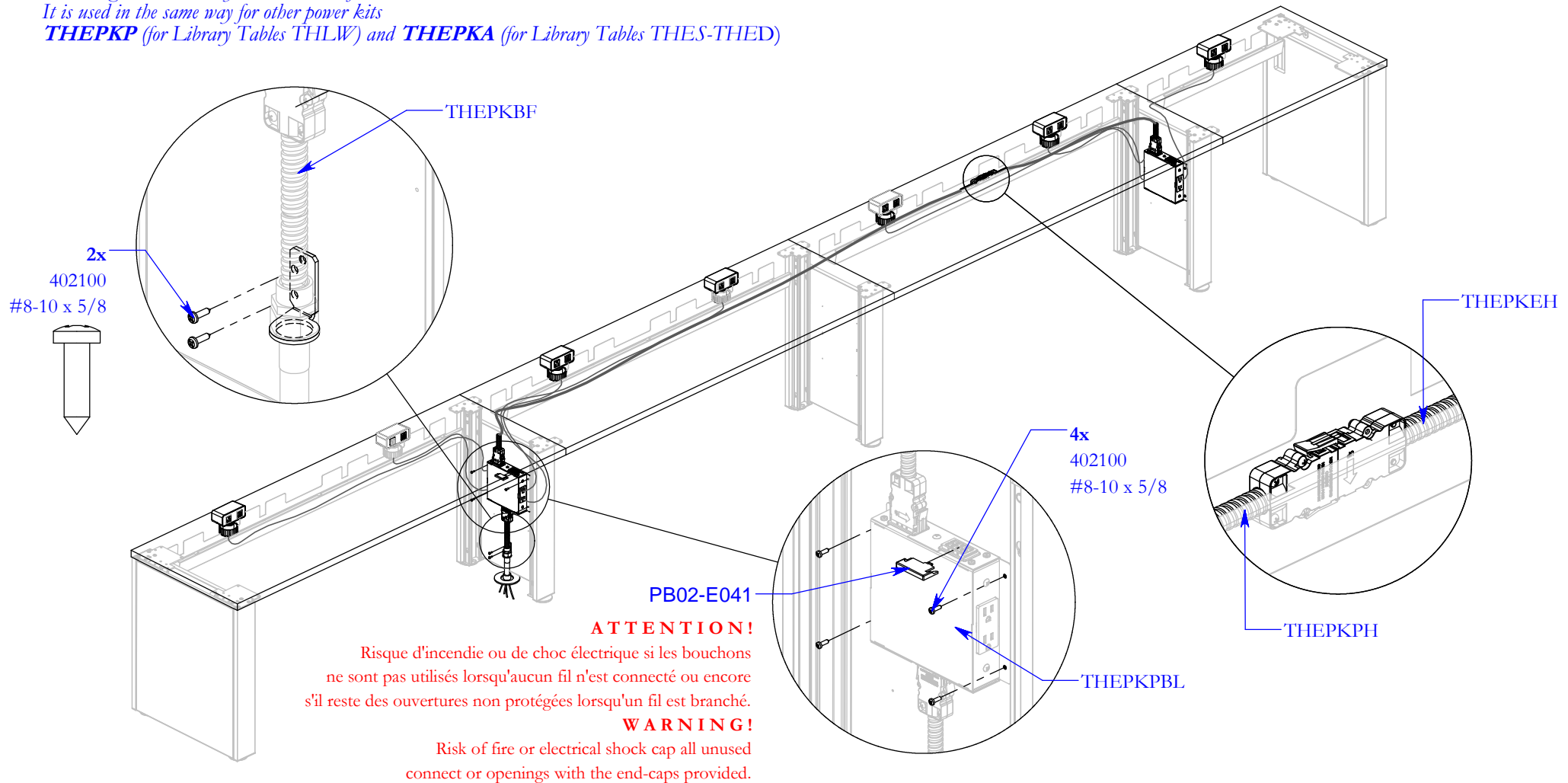
For additional information on this installation contact Teknion | Roy & Breton **Technical Support**.

**Issue Date: 2019 April 1**

(THE\_22\_01)

Voici un exemple d'application de l'ensemble **THEPKL** dans une table de bibliothèque THLS simple pour 7 usagés. Le même principe est utilisé pour les autres ensembles d'alimentation **THEPKP** (pour les tables THLW) et **THEPKA** (pour les tables THES-THED)

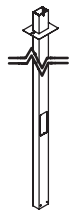
Here is an example of the application of the power kit **THEPKL** in the single-sided Library Table THLS for 7 users. It is used in the same way for other power kits **THEPKP** (for Library Tables THLW) and **THEPKA** (for Library Tables THES-THED)



RLPS – Lateral Power Pole  
 THEMP – Base Feed Power Pole

HTEFB – Base Feed Cover  
 HTEL – Power Pole

**Product**



**RLPS**  
 (Ceiling Feed Application)



**RLPS or THEMP**  
 (Base Feed Application)

**TOOLS REQUIRED:**

Cross or Square Drive #2,  
 1/8" Allen Key, Metal Sheet Scissor,  
 and Utility Knife

**CAUTION:**

The wires installation should be supervised by a licensed electrician in accordance with applicable regulations.

Use of a Base or Ceiling Feed is subject to applicable regulations.

**RLPS or THEMP - Part / Product Identification and What's Included**

Ref.	Illustration	RLPSU	RLPSY	THEMP	Kit No. / Assy. No.
		Quantity			
A	Lateral or Base Feed Power Pole Extrusion (Base Feed Appl.) A23-61283+29 or A23-61283+XX OR Lateral Power Pole Extrusion (Ceiling Feed Appl.) A23-61283+XX and A23-61286+XX	1	1		
				1	
B	Lateral Power Pole Cover A23-61284+XX and A23-63063+XX	As per Order	As per Order	As per Order	
C	Lateral Power Pole Divider A15-61707+XX or A15-61707+24	As per Order	As per Order		
D	11/16" Lateral Power Pole Bracket N80-61695	1	1		
E	1" Lateral Power Pole Bracket N80-61696	2			
F	Lateral Power Pole Bracket (for 2" Free. Screen) N80-61697		1		
G	#8 x 5/8" Recex Pan Hd. W. Screw, Black 402100	4	4	4	
H	Ø12.7 x 3.5 Clear Bumper B02-50097	6	6	6	X80-61292 (Available with RLPSU and RLPSY)
I	Lateral Power Pole Divider Edge Trim B11-61241	2	2	2	
J	Ceiling Plate A15-61720	2	2		
K	#8 - 32 x 7/16" - 4 Prong T-Nut D08-0002	2	2		
L	Tooth Washer D01-0076	2	2		X80-61324 (Only available with Ceiling Feed Application)
M	#8 - 32 x 3/4", Quadrex Pan Hd., M. Screw, Zinc E01-0170	2	2		
N	#8 - 18 x 3/4", Quadrex Pan Hd., Self-Drilling Screw, Zinc E01-0072	2	2		
O	Lateral Power Pole Cap (Base Feed App.) N80-61701+X	1	1	1	
P	Linking Bar (Ceiling Feed App.) N80-61005	2	2		

Reference Installation Guides:  
 No. 1039 Expansion Desking "Ceiling Feed RLDF"  
 No. 1072 Expansion Desking "Base Feed RLDB"  
 THE\_22 Tables & Coll. Spaces (Thesis) "Base Feed THECB"

For additional information on this installation contact Teknion | Roy & Breton **Technical Support**.

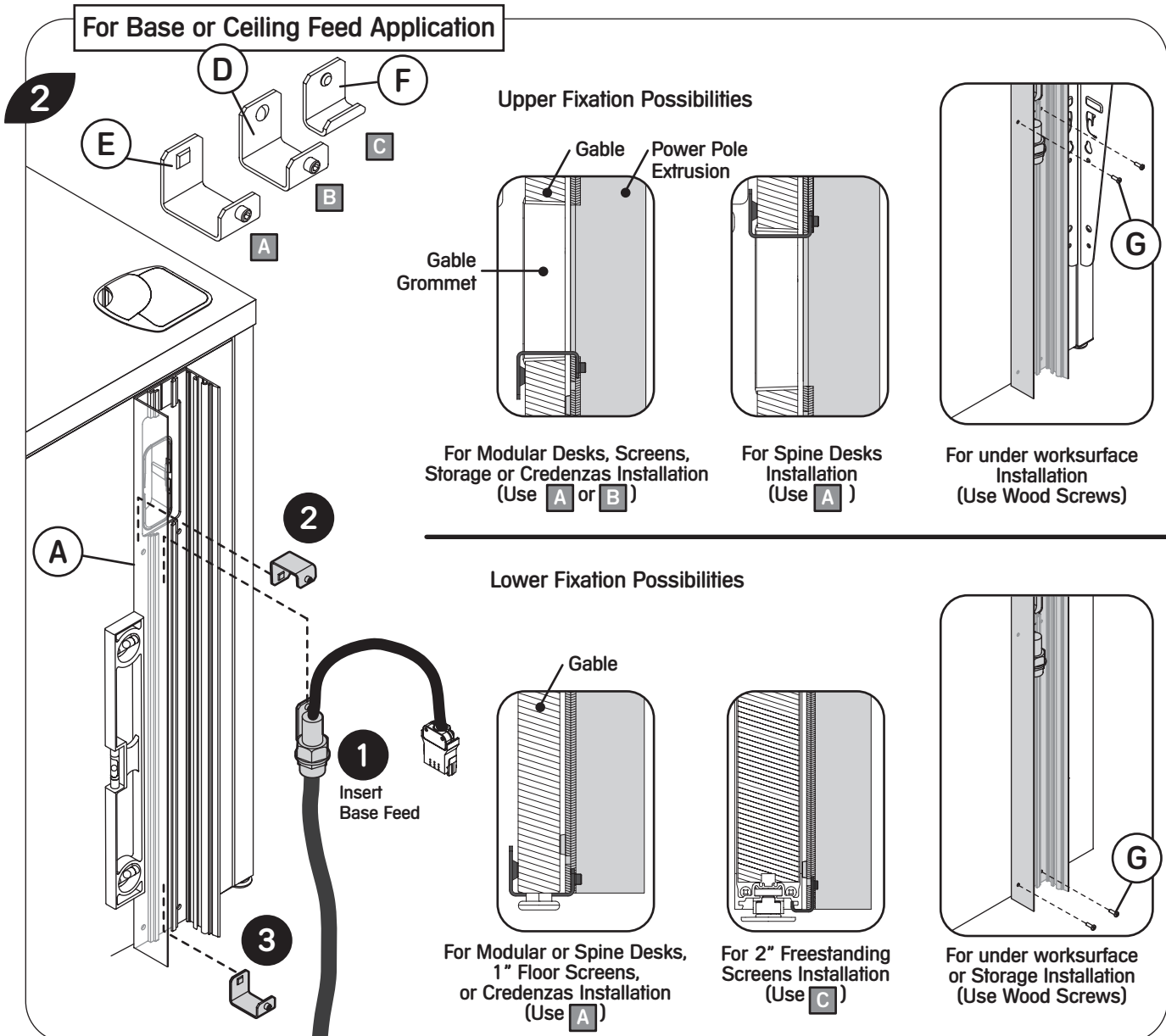
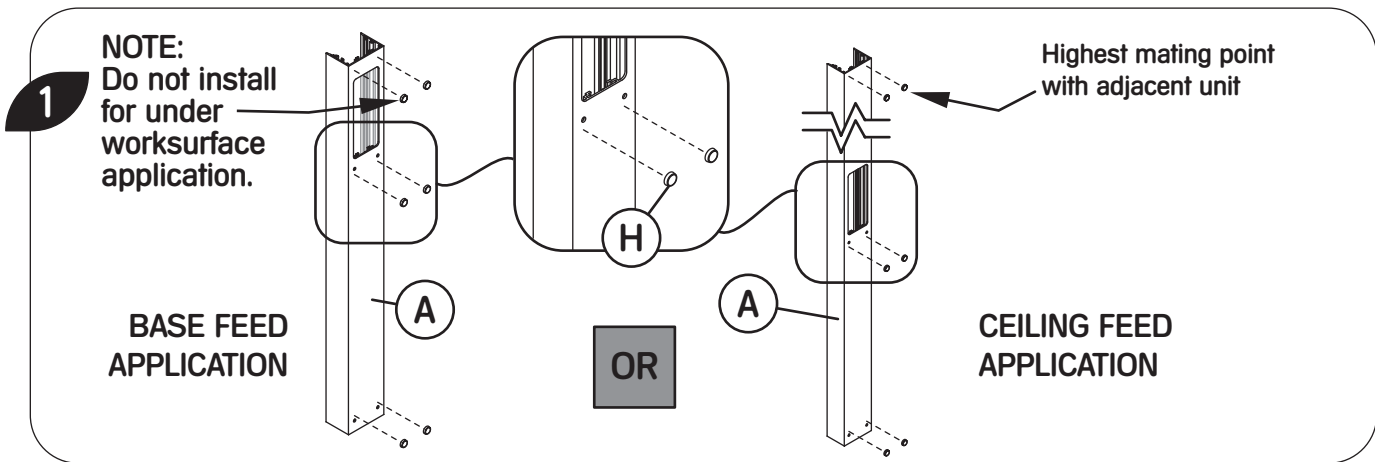
**Issue Date: 2015 June 29**

(L04-61079\_R05)

RLPS – Lateral Power Pole  
 THEMP – Base Feed Power Pole

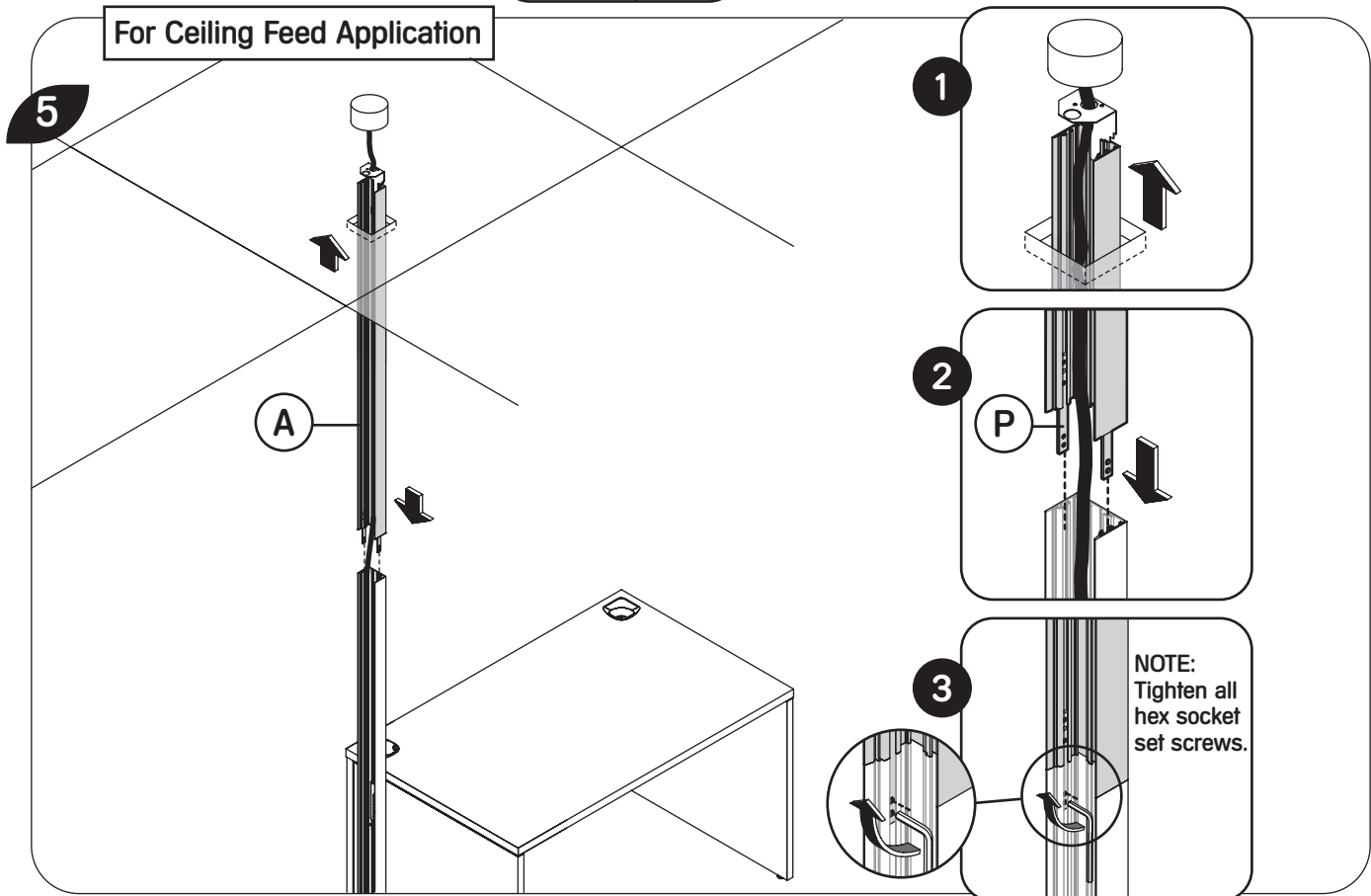
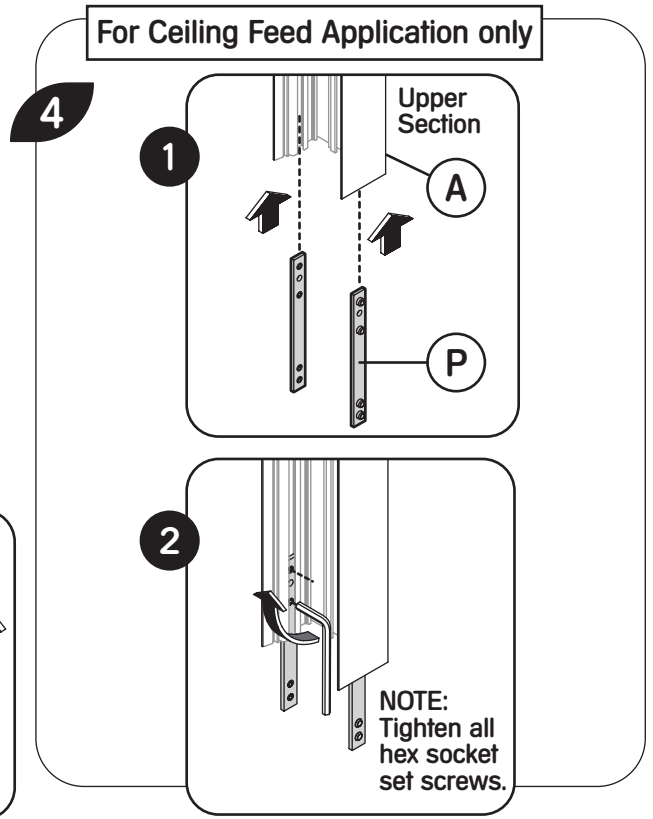
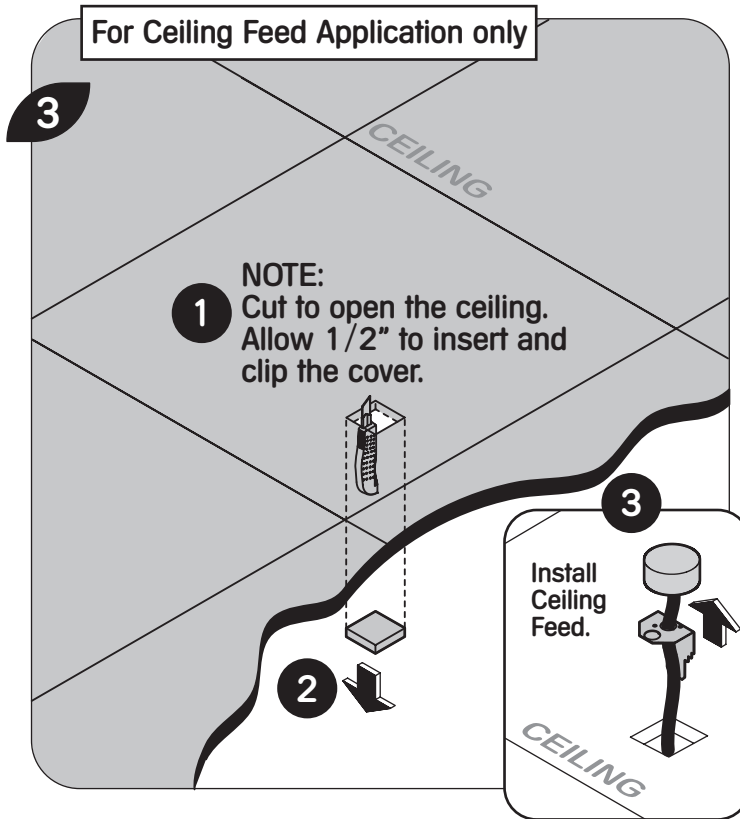
HTEFB – Base Feed Cover  
 HTEL – Power Pole

## LATERAL POWER POLE INSTALLATION – EXPANSION DESKING



RLPS – Lateral Power Pole  
 THEMP – Base Feed Power Pole

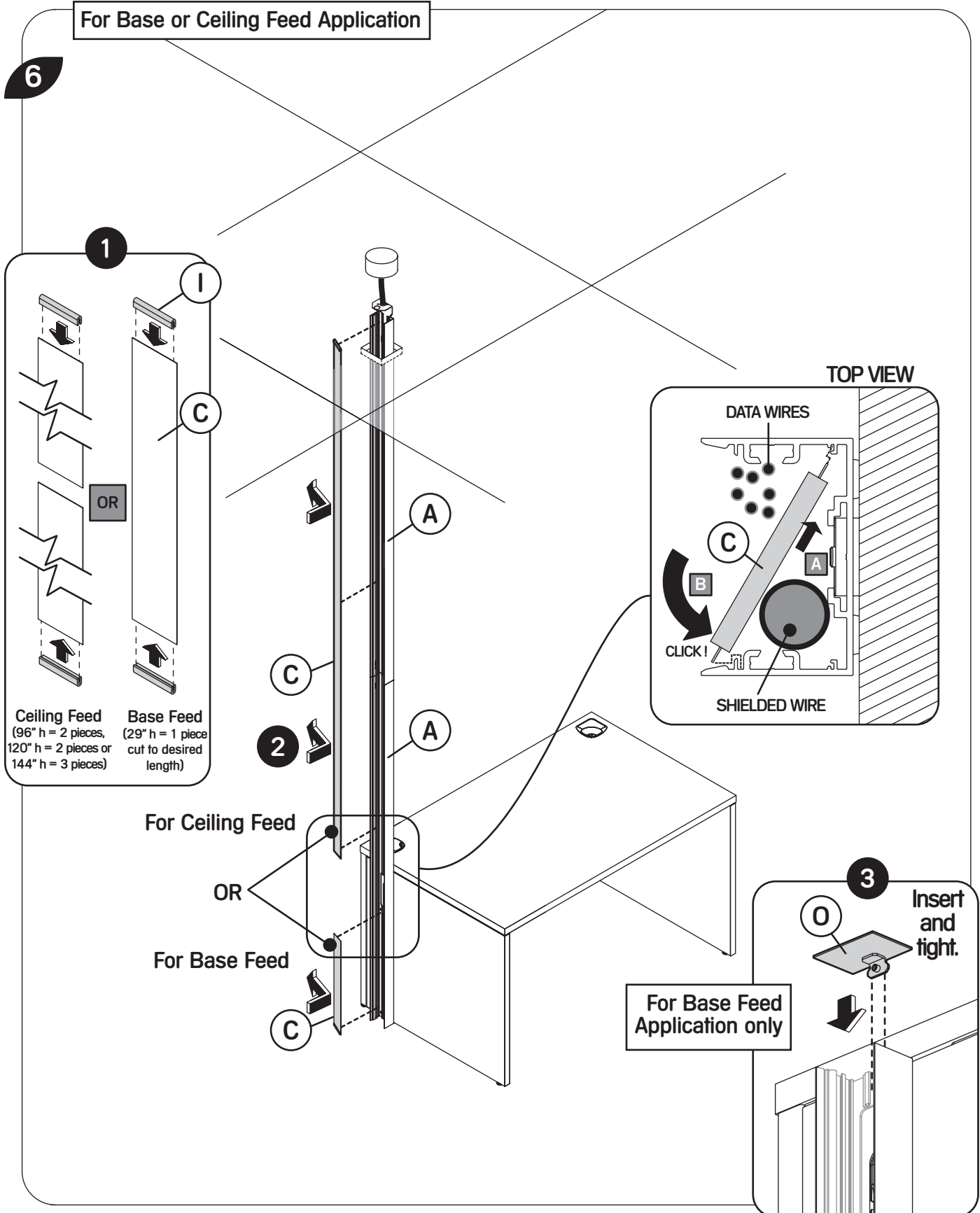
HTEFB – Base Feed Cover  
 HTEL – Power Pole





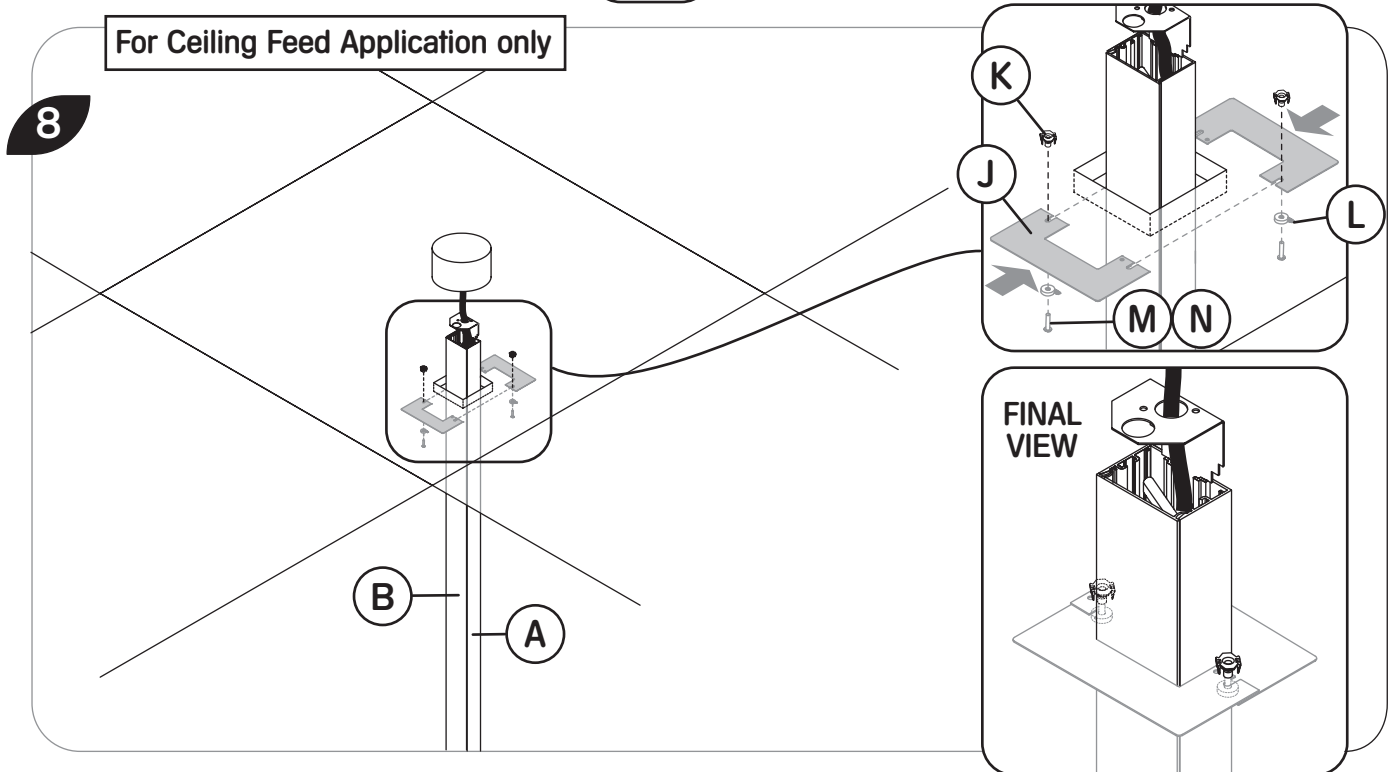
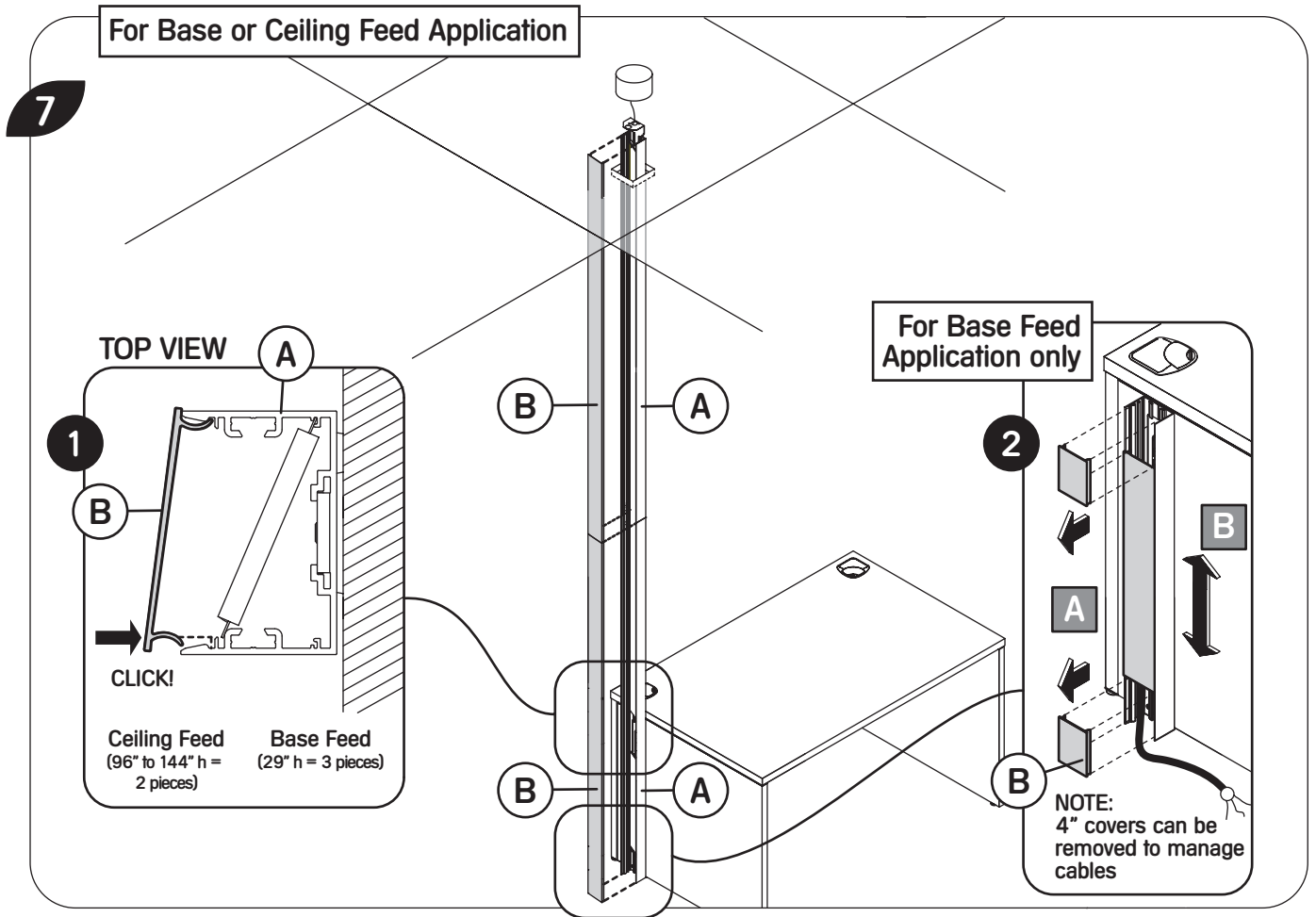
RLPS – Lateral Power Pole  
 THEMP – Base Feed Power Pole

HTEFB – Base Feed Cover  
 HTEL – Power Pole



RLPS – Lateral Power Pole  
 THEMP – Base Feed Power Pole

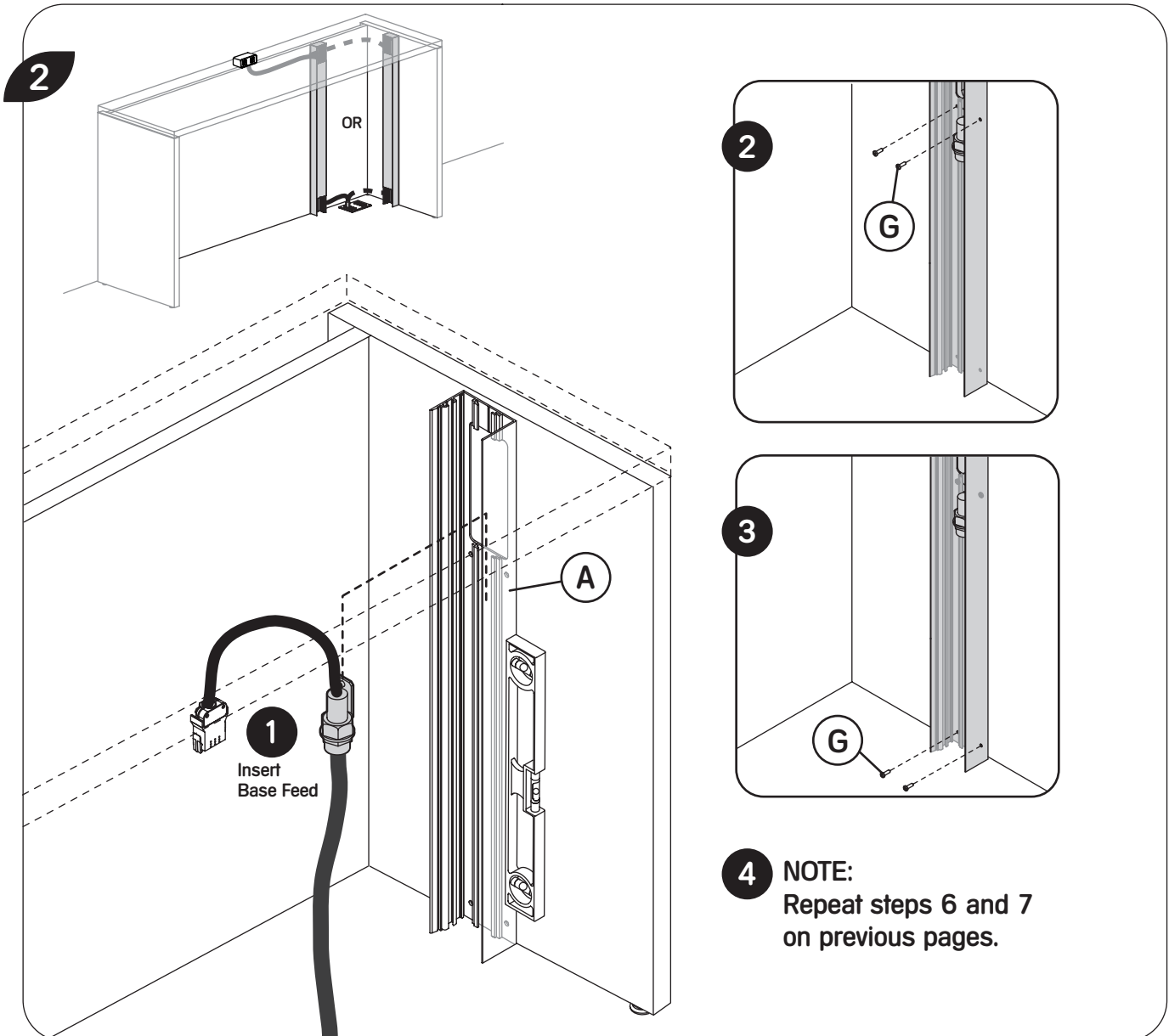
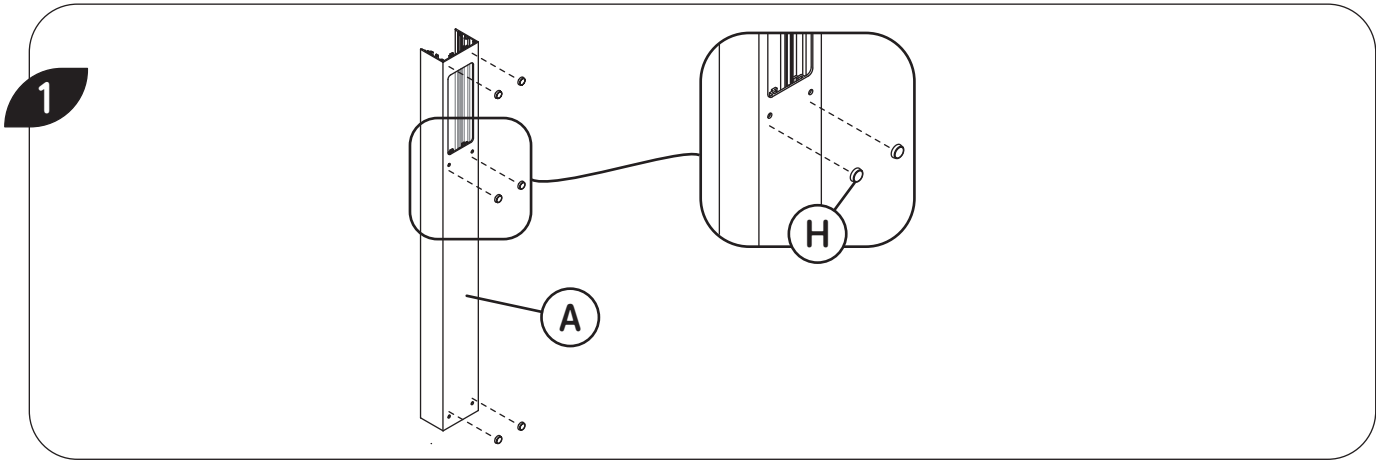
HTEFB – Base Feed Cover  
 HTEL – Power Pole

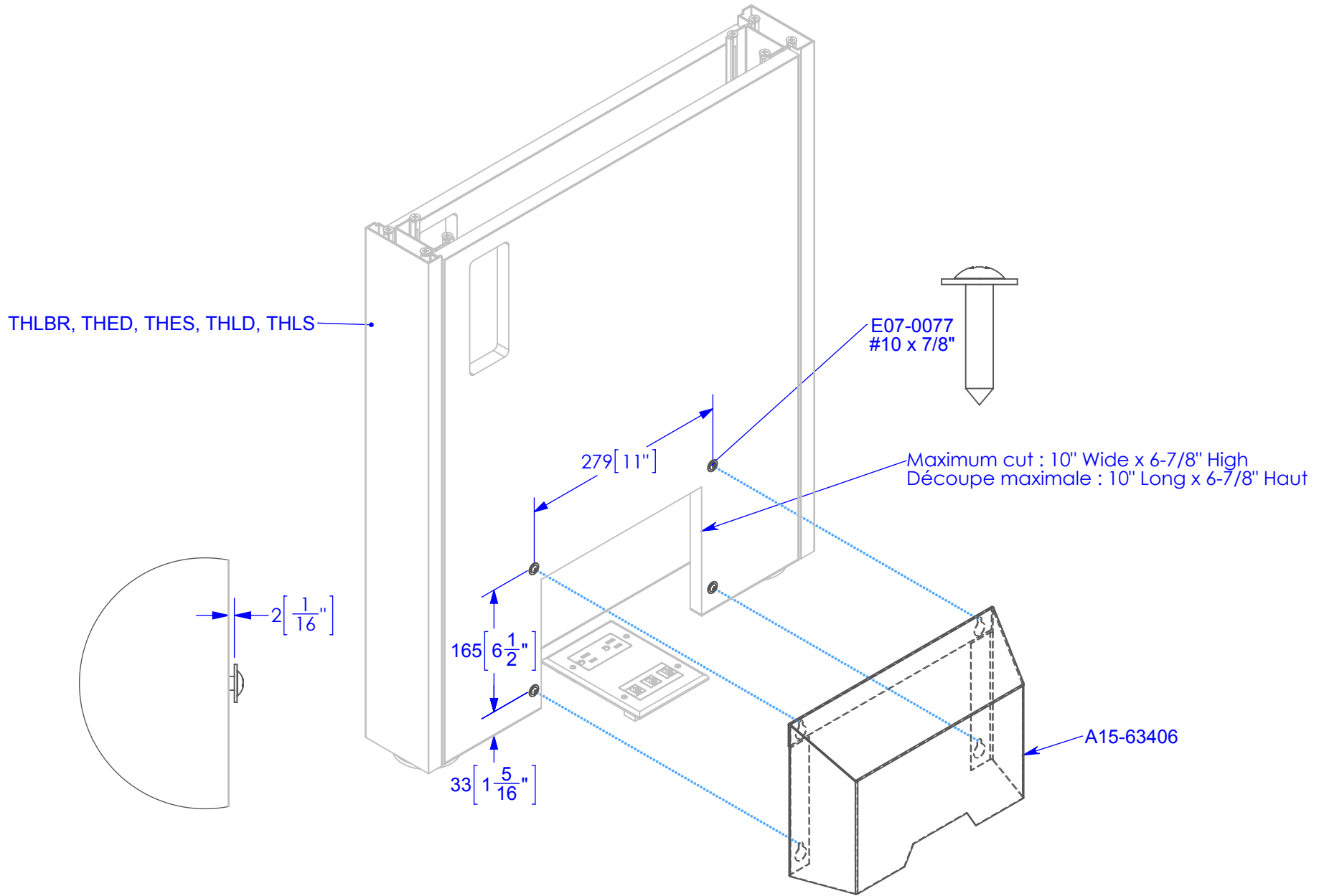


RLPS – Lateral Power Pole  
 THEMP – Base Feed Power Pole

HTEFB – Base Feed Cover  
 HTEL – Power Pole

## BASE FEED POWER POLE INSTALLATION – THESIS





**Training Section – Accessories**

**Expansion Desking, Expansion Casegoods, Expansion Wood & Thesis Section – Lighting, Electrics & Communications**

**W/R/S Section – Electrics**

No. 1205

CTWT – Cable Tray (Training)

BLCT – Cable Tray (Expansion Casegoods)

ZELCT – Cable Tray (Expansion Wood)

RLWT – Cable Tray (Expansion Desking)

CVLT – Wire Tray (W/R/S)

THEMW – Cable Tray (Thesis)

**Product**



CTWT, RLWT, BLCT, ZELCT, CVLT and THEMW

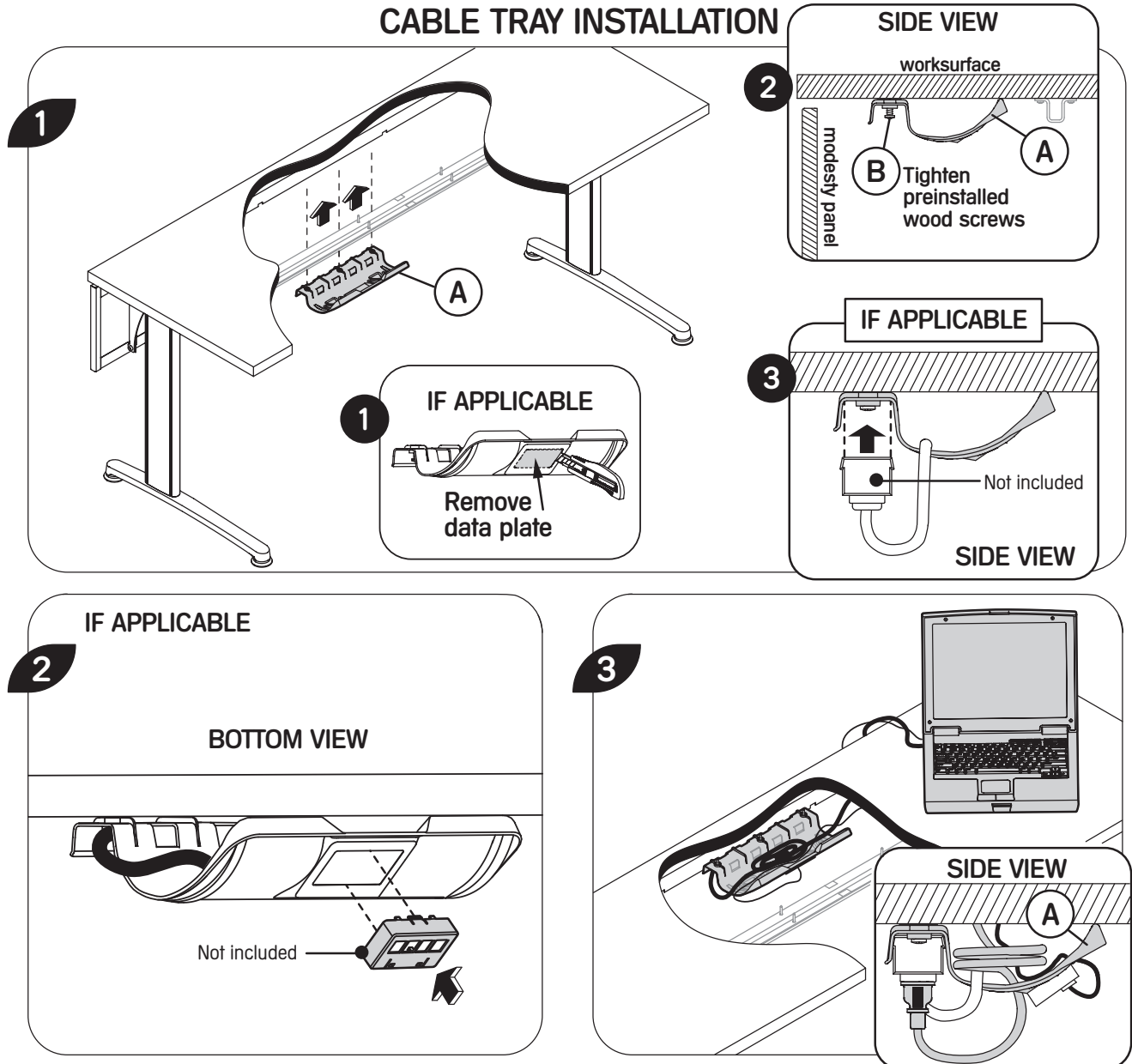
**TOOLS REQUIRED:**

Cross or Square Drive #3

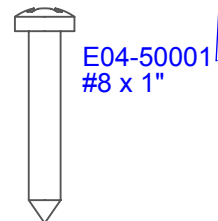
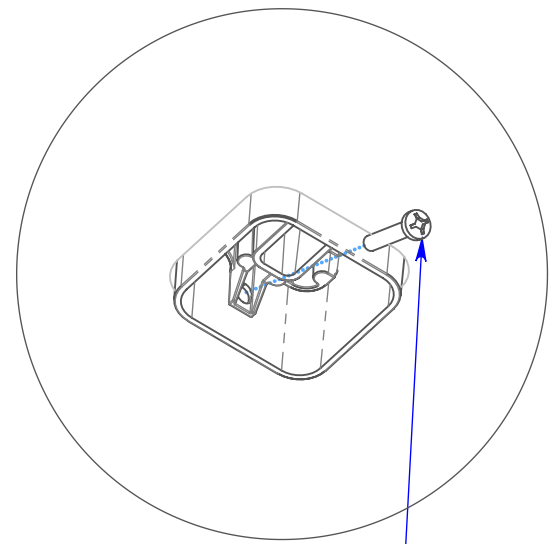
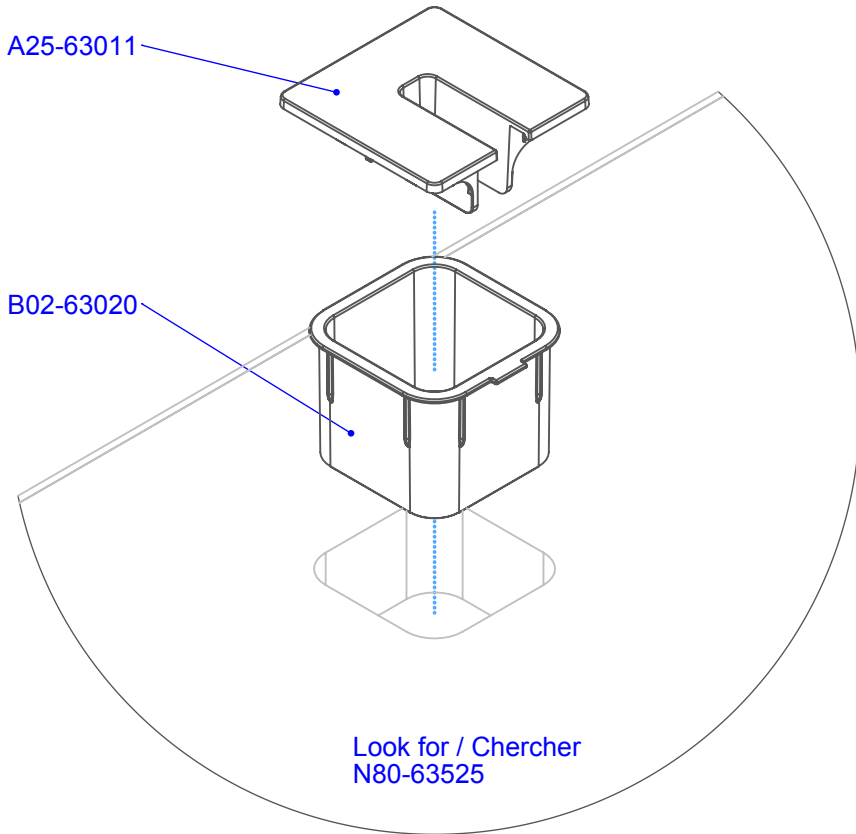
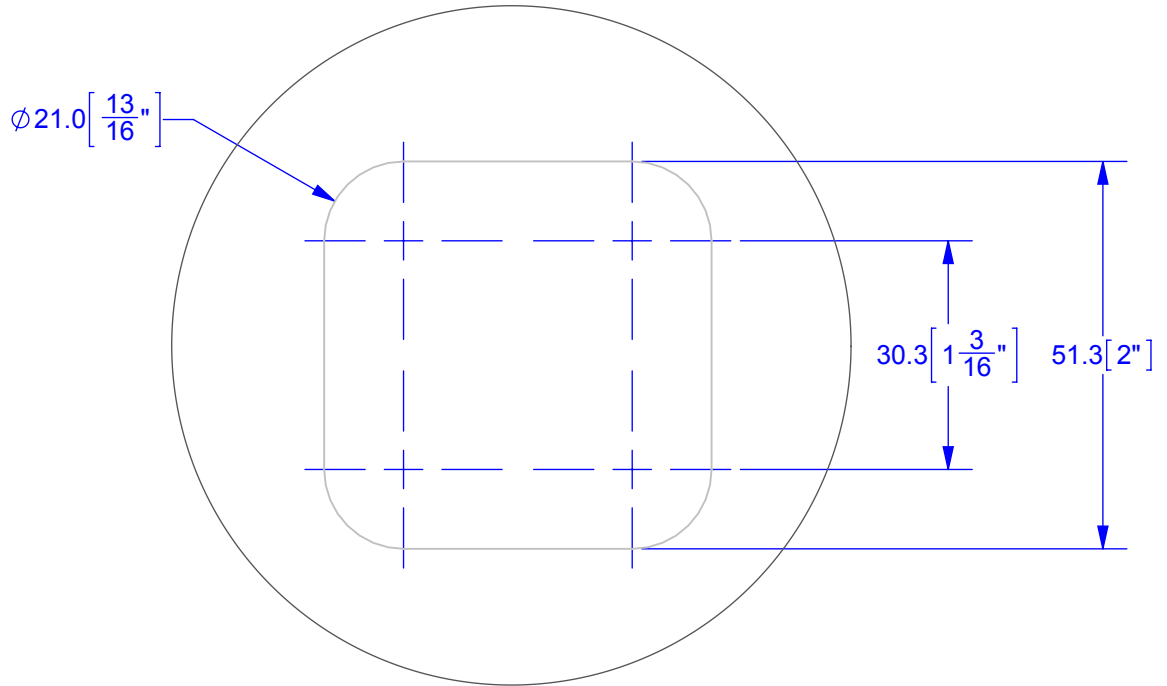
**CABLE TRAY - Part / Product Identification and What's Included**

Ref.	Illustration	Description	Part No. / Prod. Code	Qty.	Kit No. / Assy. No.
A		Cable Tray	B02-50125	1	N80-50017
B		#12 x 3/4" Quadrex Pan Head, Wood Screw, Zinc (preinstalled on cable tray)	E04-50017	3	

**CABLE TRAY INSTALLATION**



Cutout Pattern /  
 Patron de découpe  
 Scale / Échelle 1:1



Look for / Chercher  
 N80-63525