

Worksurfaces

XWR XWD XWT XWCT XWMQ

Available Edge Trim Style, if applicable: 6 Straight Trim, 9 Flintwood Flat Trim

Available Corner Detail, if applicable: S Standard (for trim style 6 or 9), R Radius (for trim style 6 only)

Supports

Legs

Standard C-Leg (C) T-Leg (T) Arched C-Leg (C) T-Leg (T) C-Leg (C) T-Leg (T) Slender C-Leg (C) T-Leg (T) C-Leg (C) T-Leg (T) Post Thesis Standard Height (29) ADA Height (33)

F29 Fixed Height XSLD ASR Height Adjust. – Standard Range XSLA F29 Fixed Height XSLS ASR Height Adjust. – Standard Range XSPS

Available Casters/Levelers if applicable: L Levelers C Casters

Available Caster/Leveler if applicable: L Leveler C Caster

C Casters F/P/S Levelers – Glides XSPA

Tables

Flip-Top Tables

Standard Legs C-Leg (C) T-Leg (T) Arched Legs C-Leg (C) only Slender Legs C-Leg (C) T-Leg (T) Kupp Legs Thesis Legs

XFTFD XFTFA XFTFS XFTFK XTFAS XTFAG

N Non Magnetic M Magnetic

Available Casters only Casters Available Glass Finish, if applicable Back-Painted

Folding Tables

Standard Legs C-Leg (C) T-Leg (T) Arched Legs C-Leg (C) T-Leg (T) Slender Legs C-Leg (C) T-Leg (T)

XTFSD XTFSA XTFSS XTFLD XTFLA XTFLS

Available Casters/Levelers if applicable: L Levelers C Casters

Lightweight Folding Tables

Standard Legs C-Leg (C) T-Leg (T) Arched Legs C-Leg (C) T-Leg (T) Slender Legs C-Leg (C) T-Leg (T)

Mobile Trolley High Tables Single-Sided 36" or 42" h Thesis Legs Team 29" h 36" or 42" h 29" h 36" or 42" h Double-Sided 29" h 36" or 42" h

XTMT XTHAS XTHAD XTHS XTHD

F Full-Height – No Cable Pass-Through G Full-Height – With Cable Pass-Through W Wall-Access H Half-Height

Available Corner Detail, if applicable: S Standard (for trim style 6 or 9), R Radius (for trim style 6 only)

Available Casters/Levelers if applicable: L Levelers C Casters

This symbol is used for products designed for people with reduced mobility (Products comply with Americans with Disabilities Act (ADA))

Available Edge Trim Style, if applicable: 6 Straight Trim, 9 Flintwood Flat Trim

Instructor

Instructor Work. Thesis Leg (A)

XTPW

Available Corner Detail, if applicable: S Standard (for trim style 6 or 9), R Radius (for trim style 6 only)

Instructor Desk

XTPD

Instructor Desk with Fixed Lectern

XTPPT

Lectern Podium

M Mobile (Shown) S Stationary XTPL

Available Edge Trim Style, if applicable: 6 Straight Trim, 9 Flintwood Flat Trim

Table Accessories

Modesty Panels

For Worksurfaces only Solid Metal For Flip-Top Tables only Solid Metal Without Built-In Cable Tray Available Embossed Patterns if applicable: 201 Square Solo, 401 Dot Solo

C With Built-In Cable Tray W Without Built-In Cable Tray XCMS XCMM XCMSF XCMMF XCMSK XCMZK

Table Screens

Fabric – Back Glass – Back Fabric – Lateral Glass – Lateral G Non Magnetic Glass

XCSBF XCSBG XCSLF XCSLG

Thesis Leg only

XCLDC XCLPF XCHK XCHW XCALE XCALC XCFTM XCDEK

F Felt Glide P PTFE Glide S Steel Glide

Available Glass Finish, if applicable: Back-Painted

Collaboration Tools

G Glass – Non Magnetic – Front Configuration XCMBM

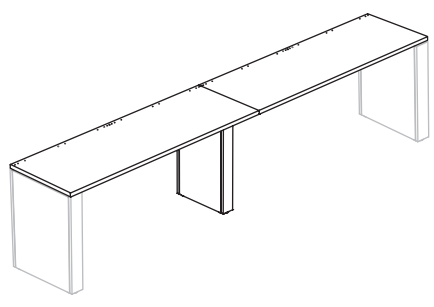
Back Configuration: E Felt, G Glass – Non Magnetic, M Glass – Magnetic – Front Configuration

Available Glass Finish, if applicable: Back-Painted

Library Tables

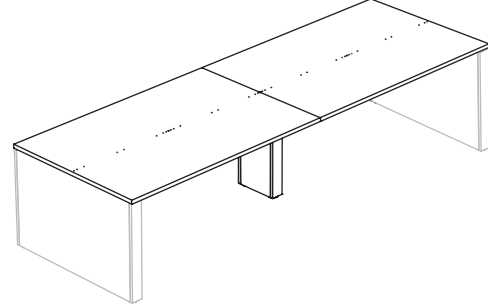
Library Tables

Single-Sided



XLTSS

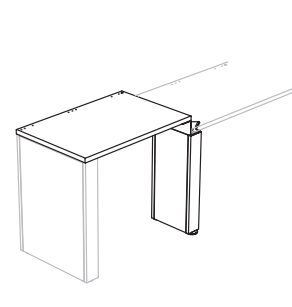
Double-Sided



XLTDS

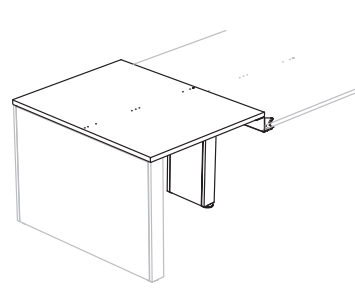
ADA Extension for Library Tables

Single-Sided

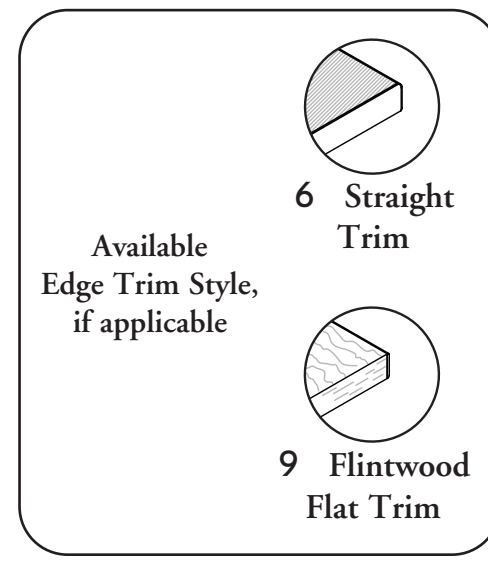


XL TSA

Double-Sided

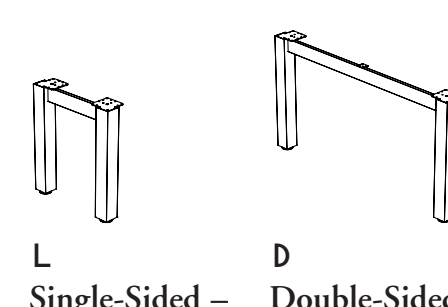


XL TDA



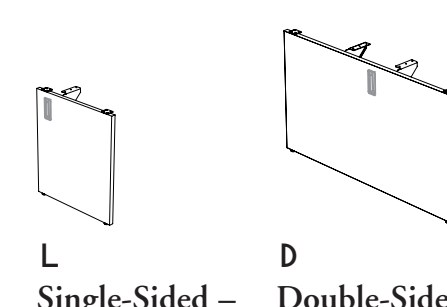
Supports for Library Tables

Square Post Legs



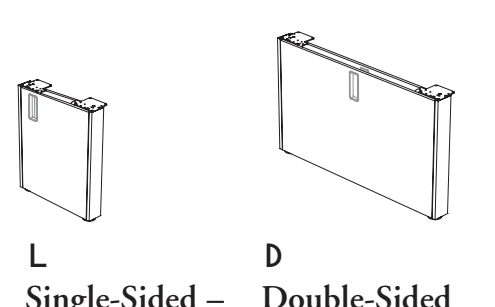
L Single-Sided – Left Handed
R Right Handed
XL BQ

End Gable – Solid



L Single-Sided – Left Handed
R Right Handed
XL BGD

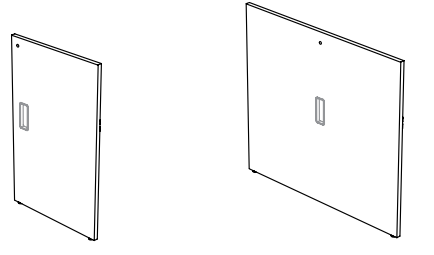
Rectangular Base



L Single-Sided – Left Handed
R Right Handed
XL BR

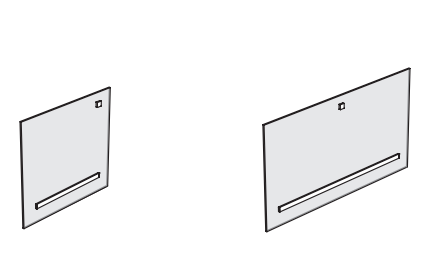
Carrel End Screens

Solid



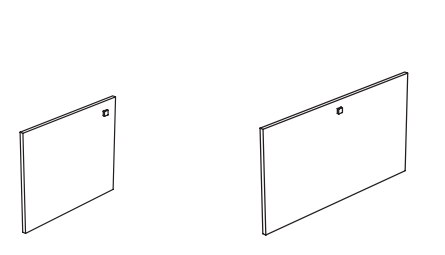
L Single-Sided – Left Handed
R Right Handed
XL CFS

Glass

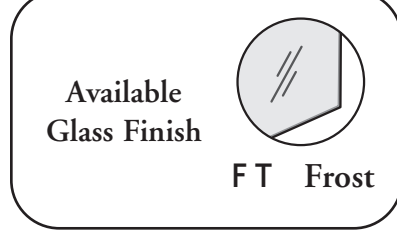


L Single-Sided – Left Handed
R Right Handed
XL CEG

Solid



L Single-Sided – Left Handed
R Right Handed
XL CES

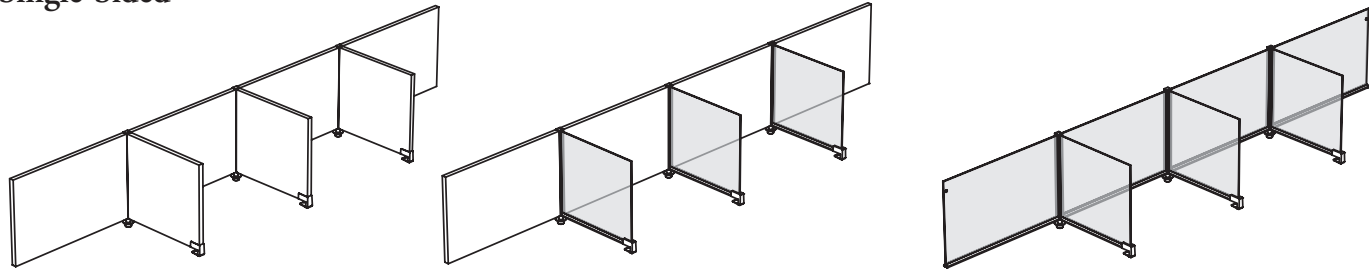


This symbol is used for products designed for people with reduced mobility (Products comply with Americans with Disabilities Act (ADA))



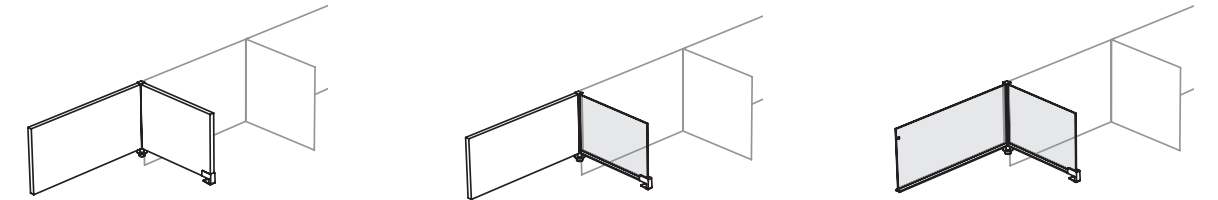
Carrel Dividers

Single-Sided

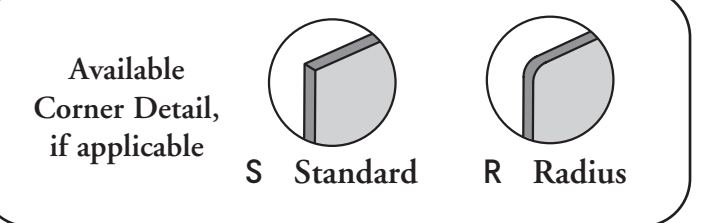


SS Solid
SG Solid with Glass Return
GG Glass
XL CS

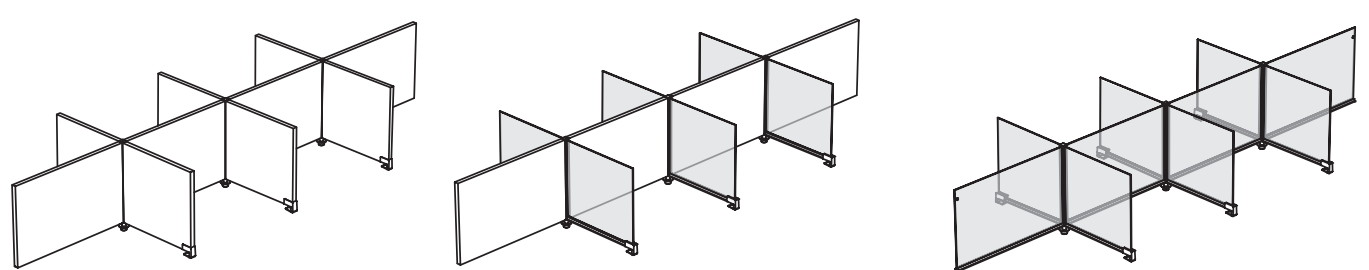
ADA – Single-Sided



SS Solid
SG Solid with Glass Return
GG Glass
XL CSA

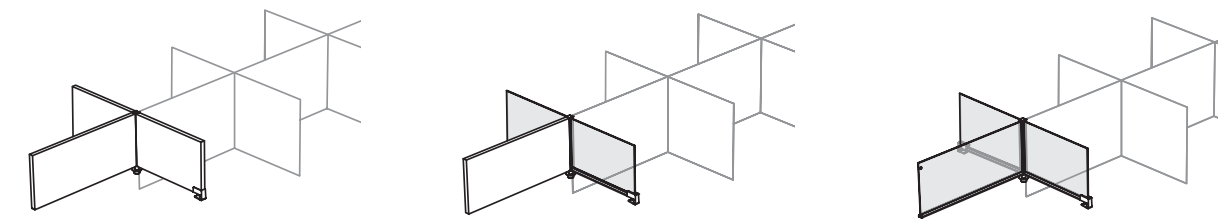


Double-Sided

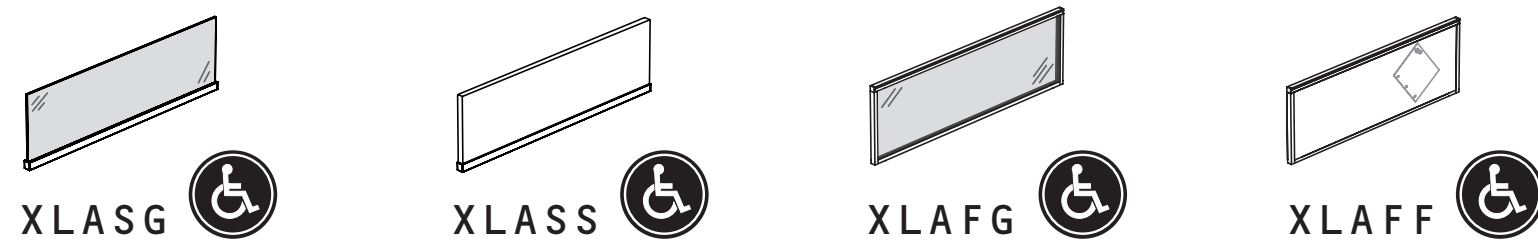
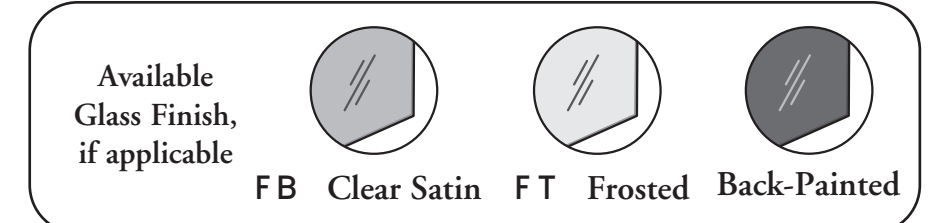


SS Solid
SG Solid with Glass Return
GG Glass
XL CD

ADA – Double-Sided



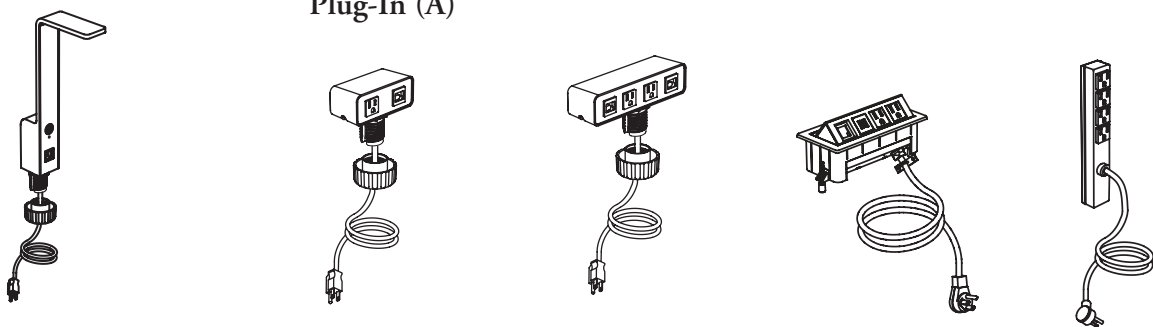
SS Solid
SG Solid with Glass Return
GG Glass
XL CDA



Lighting, Electrics & Communications

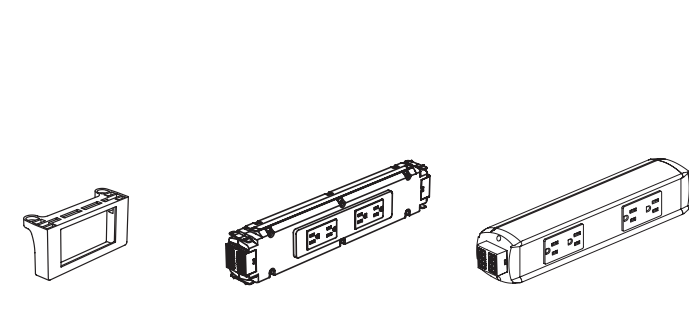
Power Modules

Plug-In (A)



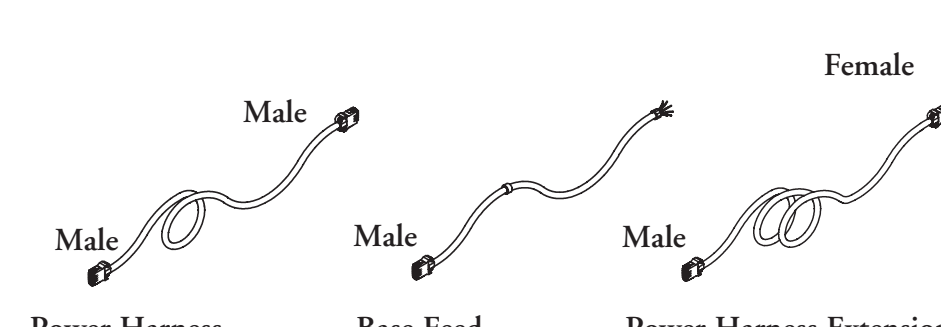
D101N to D200N Dual Config.
Q202N to Q320S Quad Config.
XPLRL
XPPC
XPPDC
XPEPP
XPCB
XPEPB
XPEPET

Power Boxes



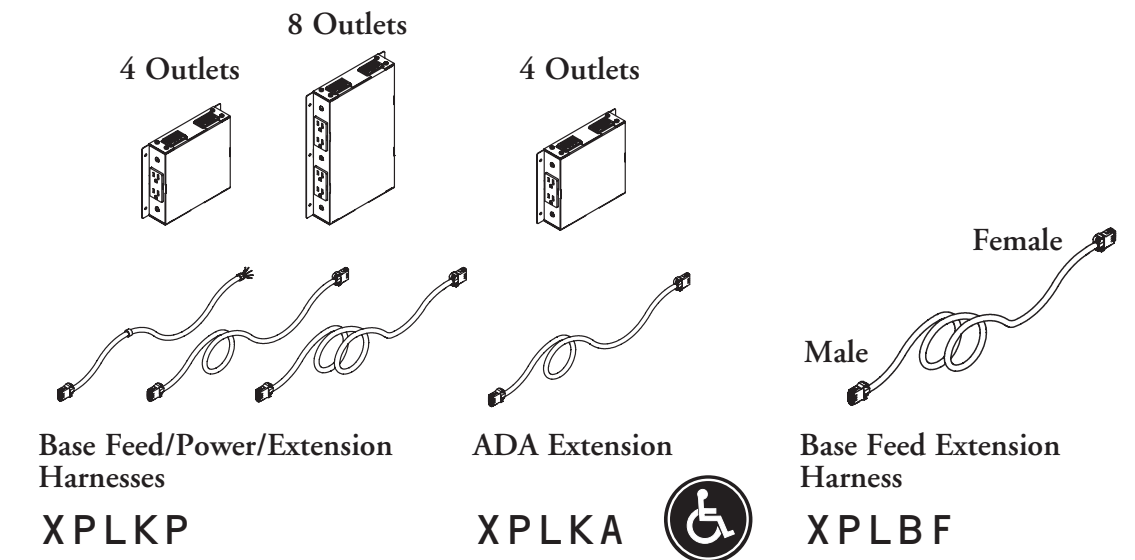
XPEPH
XPEPBF
XPEHE

Power Harnesses



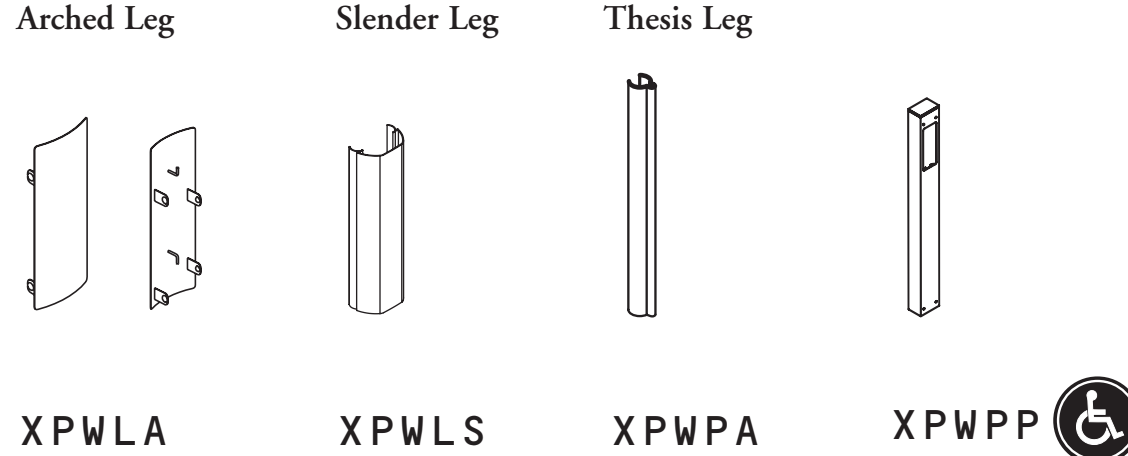
Male
Female
Power Harness
Base Feed
Power Harness Extension

Power Kits – Library Tables



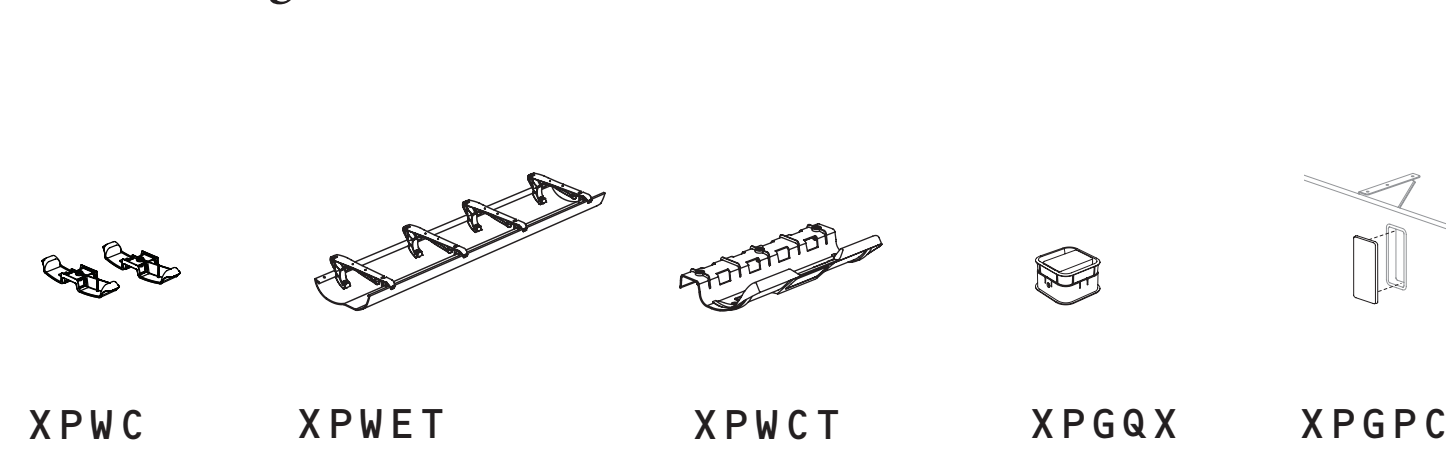
4 Outlets
8 Outlets
4 Outlets
Base Feed/Power/Extension Harnesses
ADA Extension
Base Feed Extension Harness
XPLKP
XPLKA
XPLBF

Wire Managements for Legs or Bases



Arched Leg
Slender Leg
Thesis Leg
Bases
XPWLA
XPWLS
XPWPA
XPWPP
XPWFB

Wire Managements for Tables



XPWC
XPWET
XPWCT
XPGQX
XPGPC