

mari sol table new revit symbol

- 3 new table families representing 27 item codes.

- Mari Sol Work Table
- Mari Sol Occasional Table
- Mari Sol Café Table



bevy tables updated revit symbol

- 17 updated Bevy table families with a new backpainted glass top option.



havn table new revit symbol

- 3 new table families representing 12 item codes.

- Havn Round Occasional Table
- Havn Square Occasional Table
- Havn Rectangular Occasional Table



beso seating new revit symbols

- 5 new seating families representing 5 item codes.

- Beso Chair Sled Base
- Beso Chair Wire Star Base
- Beso Armchair Sled Base
- Beso Armchair 4 Star Base
- Beso Lounge Chair Sled Base



africa seating new revit symbol

- 3 new seating families representing 3 item codes.

- Africa Armless Chair
- Africa Armchair
- Africa Barstool



rec tables new revit symbol

- 4 new table families representing 168 item codes and 2 new power accessories representing 3 item codes.

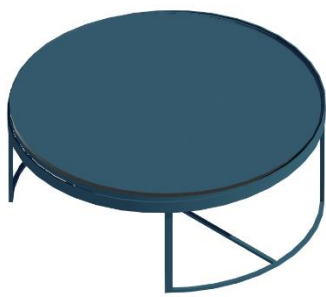
- Rec Single Top Workshop Table
- Rec Ganged Single Top Workshop Table
- Rec Ganged Split Top Workshop Table
- Rec Split Top Workshop Table
- Rec Single Power Accessory
- Rec Multi Power Accessory



sly tables new revit symbol

- 3 new table families representing 3 item codes.

- Sly Side Table
- Sly Coffee Table
- Sly occasional Table



delta seating new revit symbol

- 1 new sofa products representing 1 item code.

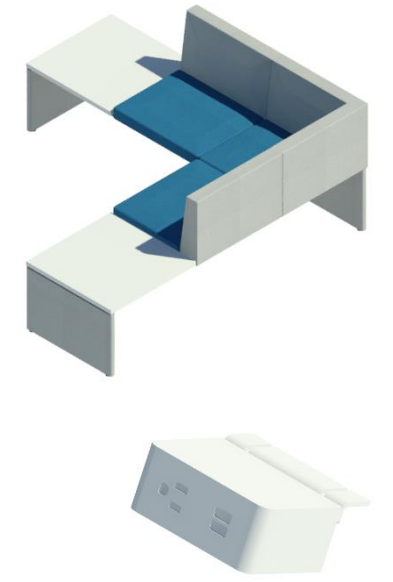
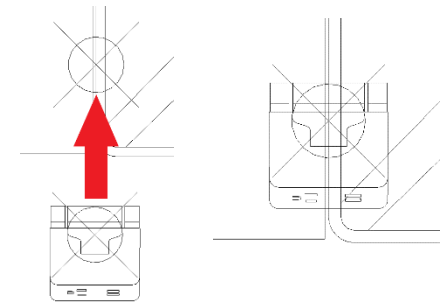
- Delta Armchair



clique seating with table new revit symbols

- 12 new seating products created representing 64 item codes and 3 new power accessories representing 5 item codes.

Connect the node of the power accessory to the node of the clique bench



kes seating new revit symbol

- 1 new sofa products representing 2 item codes.

- Kes Armchair
- Kes Armless Chair



new sketchup models

- 60 new sketchup models created

I want them!

- Sketchup models and layouts can be found on the sketchup warehouse [here](#).
- Revit models can be [here](#).