

PAGE/EL	NAME	REVISION	SCALE
<b>ELEVATIONS</b>			
EL01	ELEVATION 1	REV03	1'-0" = 1'-0"
EL01	ELEVATION 2	REV03	1'-0" = 1'-0"
EL02	ELEVATION 3	REV00	1'-0" = 1'-0"
EL02	ELEVATION 4	REV00	1'-0" = 1'-0"
EL03	ELEVATION 5	REV00	1'-0" = 1'-0"
EL03	ELEVATION 6	REV00	1'-0" = 1'-0"
EL04	ELEVATION 7	REV03	1'-0" = 1'-0"
EL04	ELEVATION 8	REV03	1'-0" = 1'-0"
EL05	ELEVATION 9	REV03	1'-0" = 1'-0"
EL05	ELEVATION 12	REV03	1'-0" = 1'-0"
EL06	ELEVATION 13	REV02	1'-0" = 1'-0"
EL06	ELEVATION 14	REV02	1'-0" = 1'-0"
EL07	ELEVATION 15	REV02	1'-0" = 1'-0"
EL07	ELEVATION 16	REV02	1'-0" = 1'-0"
EL08	ELEVATION 17	REV02	1'-0" = 1'-0"
EL08	ELEVATION 18	REV02	1'-0" = 1'-0"
EL08	ELEVATION 19	REV02	1'-0" = 1'-0"
EL09	ELEVATION 20	REV02	1'-0" = 1'-0"
EL09	ELEVATION 21	REV02	1'-0" = 1'-0"
EL09	ELEVATION 22	REV02	1'-0" = 1'-0"
<b>FASCIAS</b>			
A01-1/EL1	SOLID - CABINET WORKING WALL: MONOLITHIC	REV00	1'-0" = 1'-0"
A01-2/EL1	SOLID - CABINET WORKING WALL: MONOLITHIC	REV00	1'-0" = 1'-0"
A02/EL1	FABRIC WRAPPED - STANDARD WORKING WALL: MONOLITHIC	REV00	1'-0" = 1'-0"
A03-1/EL2	ACOUSTIC TACKABLE - STANDARD WORKING WALL WITH BASE AND CEILING FASCIAS	REV00	1'-0" = 1'-0"
A03-2/EL2	ACOUSTIC TACKABLE - STANDARD WORKING WALL WITH BASE AND CEILING FASCIAS	REV00	1'-0" = 1'-0"
A04/EL2	METAL MICROPERFORATED - LIGHT WORKING WALL WITH BASE AND CEILING FASCIAS	REV00	1'-0" = 1'-0"
A05-1/EL3	FRAMED WHITEBOARD - STANDARD WORKING WALL WITH BASE AND CEILING FASCIAS	REV00	1'-0" = 1'-0"
A05-2/EL3	FRAMED WHITEBOARD - STANDARD WORKING WALL WITH BASE AND CEILING FASCIAS	REV00	1'-0" = 1'-0"
A06/EL3	FRAMELESS WHITEBOARD - STANDARD WORKING WALL WITH BASE AND CEILING FASCIAS	REV00	1'-0" = 1'-0"
A07-1/EL4	SINGLE GLASS - STANDARD WORKING WALL WITH BASE AND CEILING FASCIAS	REV00	1'-0" = 1'-0"
A07-2/EL4	SINGLE GLASS - STANDARD WORKING WALL WITH BASE AND CEILING FASCIAS	REV00	1'-0" = 1'-0"
A08/NA	DOUBLE GLASS - STANDARD WORKING WALL WITH BASE AND CEILING FASCIAS	REV00	1'-0" = 1'-0"
A09/EL3	LANDSCAPE ALUMINUM FASCIA KIT	REV00	1'-0" = 1'-0"
A10/EL5	FILLER PANEL AT BUILDING INTEGRATION - HORIZONTAL SECTION	REV00	1'-0" = 1'-0"
A11/NA	UNDERDESK FASCIAS, CENTERED HEIGHT-ADJUSTABLE DESK - HORIZONTAL SECTION	REV00	1'-0" = 1'-0"
A12-1/EL14	SECTIONS THROUGH SOLID FASCIA AND WALL START OR ADJUSTABLE WALL START	REV02	1'-0" = 1'-0"
A12-2/EL14	SECTIONS THROUGH SOLID AND DOUBLE GLAZED FASCIA	REV02	1'-0" = 1'-0"
A13-1/EL14	SECTIONS THROUGH GLAZED FASCIAS - DOUBLE & SINGLE CENTERED	REV02	1'-0" = 1'-0"
A13-2/EL15	SECTIONS THROUGH GLAZED FASCIAS AND WALL START OR ADJUSTABLE WALL START	REV02	1'-0" = 1'-0"
A14/EL15	SECTION THROUGH DOUBLE GLAZED AND CEILING FASCIA	REV02	1'-0" = 1'-0"
A15/EL16	SECTIONS THROUGH FULL HEIGHT MONOLITHIC FASCIA	REV02	1'-0" = 1'-0"
A16/EL16	SECTION THROUGH SINGLE GLAZED FULL HEIGHT FASCIA	REV02	1'-0" = 1'-0"
A17/EL16	HORIZONTAL SECTION THROUGH SINGLE GLAZED FASCIA	REV02	1'-0" = 1'-0"
A18/EL18	SECTION THROUGH ACOUSTIC FASCIAS	REV02	1'-0" = 1'-0"
A19/EL19	SECTION THROUGH TYPICAL CEILING CONNECTION AND SEGMENTED MONOLITHIC FASCIA	REV02	1'-0" = 1'-0"
A20/EL20	SECTION THROUGH FILLER PANEL	REV02	1'-0" = 1'-0"

A21/EL21	SECTION THROUGH SINGLE GLAZED SEGMENTED FASCIAS	REV02	1'-0" = 1'-0"
A22/EL21	SECTION THROUGH SEGMENTED SOLID FASCIAS	REV02	1'-0" = 1'-0"
A23/EL21	SECTION THROUGH FULL HEIGHT SOLID FASCIAS	REV02	1'-0" = 1'-0"
A24/EL22	SECTION THROUGH SINGLE GLAZED FULL HEIGHT FASCIA	REV02	1'-0" = 1'-0"
A25/EL22	SECTION THROUGH ALUMINIUM FASCIA KIT	REV02	1'-0" = 1'-0"

**DOOR PACKAGES**

B01/EL1	HINGED GLASS INSERT DOOR AND FRAME - HORIZONTAL SECTION	REV01	1'-0" = 1'-0"
B02/EL1	HINGED GLASS INSERT DOOR AND FRAME - VERTICAL SECTION	REV01	1'-0" = 1'-0"
B05/EL2	FRAMED GLASS PIVOT DOOR AND FRAME - HORIZONTAL SECTION	REV00	1'-0" = 1'-0"
B06/NA	FRAMED GLASS PIVOT DOOR AND FRAME - VERTICAL SECTION	REV00	1'-0" = 1'-0"
B07/EL3	HINGED GLASS DOOR AND FRAME - HORIZONTAL SECTION	REV00	1'-0" = 1'-0"
B08/EL3	HINGED GLASS DOOR AND FRAME - VERTICAL SECTION	REV00	1'-0" = 1'-0"
B11/EL2	SLIDING INTERIOR GLASS DOOR WITH LOCKING CEILING PULL ADA THUMBTURN, ROUND JAMB	REV02	1'-0" = 1'-0"
B12/EL2	SLIDING INTERIOR GLASS DOOR WITH LOCKING CEILING PULL ADA THUMBTURN, ROUND JAMB	REV02	1'-0" = 1'-0"
B13/NA	HINGED DOUBLE DOOR AND FRAME - HORIZONTAL SECTION	REV00	1'-0" = 1'-0"
B14/NA	HINGED DOUBLE DOOR AND FRAME - VERTICAL SECTION	REV00	1'-0" = 1'-0"
B15/EL5	HINGED GLASS DOUBLE DOOR AND SEGMENTED FRAME - HORIZONTAL SECTION	REV00	1'-0" = 1'-0"
B16/EL5	HINGED GLASS DOUBLE DOOR AND SEGMENTED FRAME - VERTICAL SECTION	REV00	1'-0" = 1'-0"
B17/EL6	SLIDING EXTERIOR GLASS DOOR WITH LOCKING FLOOR PULL ADA THUMBTURN, ROUND JAMB	REV02	1'-0" = 1'-0"
B18/EL6	SLIDING EXTERIOR GLASS DOOR WITH LOCKING FLOOR PULL ADA THUMBTURN, ROUND JAMB	REV02	1'-0" = 1'-0"
B19/EL7	SLIDING INTERIOR GLASS DOOR WITH NON LOCKING CEILING PULL, SQUARE JAMB	REV02	1'-0" = 1'-0"
B20/EL7	SLIDING INTERIOR GLASS DOOR WITH NON LOCKING CEILING PULL, SQUARE JAMB	REV02	1'-0" = 1'-0"
B21/EL7	SLIDING EXTERIOR GLASS DOOR WITH NON LOCKING FLOOR PULL ADA THUMBTURN, SQUARE JAMB	REV02	1'-0" = 1'-0"
B22/EL7	SLIDING EXTERIOR GLASS DOOR WITH NON LOCKING FLOOR PULL ADA THUMBTURN, SQUARE JAMB	REV02	1'-0" = 1'-0"
B23/EL8	SLIDING INTERIOR SOLID DOOR WITH LOCKING CEILING PULL, SQUARE JAMB	REV02	1'-0" = 1'-0"
B24/EL8	SLIDING INTERIOR SOLID DOOR WITH LOCKING CEILING PULL, SQUARE JAMB	REV02	1'-0" = 1'-0"
B25/EL8	SLIDING EXTERIOR SOLID GLASS INSERT DOOR WITH LOCKING FLOOR PULL ADA THUMBTURN, SQUARE JAMB	REV03	1'-0" = 1'-0"
B26/EL8	SLIDING EXTERIOR SOLID GLASS INSERT DOOR WITH LOCKING FLOOR PULL ADA THUMBTURN, SQUARE JAMB	REV03	1'-0" = 1'-0"
B27/EL9	SLIDING INTERIOR SOLID GLASS INSERT DOOR WITH NON LOCKING CEILING PULL, ROUND JAMB	REV03	1'-0" = 1'-0"
B28/EL9	SLIDING INTERIOR SOLID GLASS INSERT DOOR WITH NON LOCKING CEILING PULL, ROUND JAMB	REV03	1'-0" = 1'-0"
B29/EL9	SLIDING EXTERIOR SOLID DOOR WITH NON LOCKING FLOOR PULL ADA THUMBTURN, ROUND JAMB	REV02	1'-0" = 1'-0"
B30/EL9	SLIDING EXTERIOR SOLID DOOR WITH NON LOCKING FLOOR PULL ADA THUMBTURN, ROUND JAMB	REV02	1'-0" = 1'-0"
B31/EL12	EXTERIOR GLASS SLIDING DOOR WITH LOCKING CEILING PULL AND SQUARE JAMB	REV02	1'-0" = 1'-0"
B32/EL12	EXTERIOR GLASS SLIDING DOOR WITH LOCKING CEILING PULL AND SQUARE JAMB	REV02	1'-0" = 1'-0"
B33/EL13	EXTERIOR GLASS SLIDING DOOR WITH LOCKING FLOOR PULL AND ROUND JAMB	REV02	1'-0" = 1'-0"
B34/EL13	EXTERIOR GLASS SLIDING DOOR WITH LOCKING FLOOR PULL AND ROUND JAMB	REV02	1'-0" = 1'-0"
B35-1/EL14	SECTION THROUGH FULL HEIGHT HINGED DOOR HEADER AT CEILING FASCIA	REV02	1'-0" = 1'-0"
B35-2/EL14	SEGMENTED DOOR HEADER AND DOUBLE GLAZED TRANSOM	REV02	1'-0" = 1'-0"
B36/EL14	SECTION THROUGH HINGED DOOR / SEGMENTED HEIGHT	REV02	1'-0" = 1'-0"
B37/EL14	SECTION THROUGH HINGED DOOR JAMB	REV02	1'-0" = 1'-0"
B38/EL15	SECTION THROUGH HINGED DOUBLE DOOR JAMB	REV02	1'-0" = 1'-0"
B39/EL15	VERTICAL SECTION THROUGH HINGED DOUBLE DOOR	REV02	1'-0" = 1'-0"
B40/EL17	SECTION THROUGH PIVOT DOOR HEADER	REV02	1'-0" = 1'-0"
B41/EL17	SECTION THROUGH PIVOT DOOR JAMB	REV02	1'-0" = 1'-0"
B42/EL17	SECTION THROUGH PIVOT DOOR W/ GLAZED TRANSOM	REV02	1'-0" = 1'-0"
B43/EL20	SECTION THROUGH HINGED GLASS DOOR	REV02	1'-0" = 1'-0"
B44/EL20	VERTICAL SECTION THROUGH HINGED GLASS DOOR HEADER	REV02	1'-0" = 1'-0"
B45/EL20	VERTICAL SECTION THROUGH HINGED GLASS DOOR HEADER	REV02	1'-0" = 1'-0"
B46/EL21	VERTICAL SECTION THROUGH HINGED GLASS DOUBLE DOOR	REV02	1'-0" = 1'-0"
B47/EL21	HORIZONTAL SECTION THROUGH HINGED GLASS DOUBLE DOOR	REV02	1'-0" = 1'-0"

**FRAME KITS & COMPONENTS**

C01-1/EL1	WALL START AND BUILDING	REV01	1'-0" = 1'-0"
C01-2/EL1	VARIABLE ANGLE WALL START AND BUILDING	REV01	1'-0" = 1'-0"
C02-1/EL2	WALL FINISHED END	REV00	1'-0" = 1'-0"
C02-2/EL14	SECTION THROUGH WALL FINISHED END	REV02	1'-0" = 1'-0"
C03/EL15	SECTION THROUGH TWO -WAY 90° CORNER CONNECTION	REV02	1'-0" = 1'-0"
C04-1/EL15	SECTION THROUGH TYPICAL CEILING CONNECTION	REV02	1'-0" = 1'-0"
C04-2/EL17	SECTION THROUGH 6" ADJUSTABLE WALL END	REV02	1'-0" = 1'-0"
C05/EL17	SECTION THROUGH THREE -WAY 180° CORNER CONNECTION	REV02	1'-0" = 1'-0"
C06/EL17	SECTION THROUGH THREE -WAY 135° CORNER CONNECTION	REV02	1'-0" = 1'-0"
C07-1/EL18	SECTION THROUGH 3" ADJUSTABLE WALL END	REV02	1'-0" = 1'-0"
C07-2/EL19	SECTION THROUGH VARIABLE ANGLE WALL START	REV02	1'-0" = 1'-0"
C08/EL19	SECTION THROUGH THREE -WAY 180° ON/OFF MODULE CONNECTION	REV02	1'-0" = 1'-0"
C09/EL21	SECTION THROUGH FOUR -WAY CORNER CONNECTION	REV02	1'-0" = 1'-0"
C10-1/EL22	SECTION THROUGH DOUBLE ARTICULATING 2-WAY CORNER CONNECTION	REV02	1'-0" = 1'-0"
C10-2/EL22	SECTION THROUGH DOUBLE ARTICULATING 3-WAY CORNER CONNECTION	REV02	1'-0" = 1'-0"
C11/EL22	SECTION THROUGH DOUBLE GLAZED THREE -WAY 180° CORNER CONNECTION	REV02	1'-0" = 1'-0"

**LIGHTING, ELECTRICS & COMMUNICATIONS**

D01/EL1	LIGHT SWITCH	REV00	1'-0" = 1'-0"
D01/EL3	RECEPTACLE MODULE	REV00	1'-0" = 1'-0"
D02/EL1	POWER DATA COMMUNICATIONS MODULE - DOUBLE	REV00	1'-0" = 1'-0"
D02/EL5	LANDSCAPE WALL MOUNTED LIGHT	REV00	1'-0" = 1'-0"
D03/EL5	POWER ROD AND POWER CUBE ON LANDSCAPE DESK - VERTICAL SECTION	REV00	N.T.S.
D04/EL6	VERTICAL SECTION OF TV SHROUD FASCIA	REV02	1'-0" = 1'-0"
D05/EL6	HORIZONTAL SECTION OF TV SHROUD FASCIA	REV02	1'-0" = 1'-0"
D06/EL14	SECTION THROUGH BASE FASCIA AT ELECTRICS (HARDWIRE)	REV02	1'-0" = 1'-0"
D07/EL15	VERTICAL SECTION THROUGH SOLID FASCIAS - HARDWIRE ELECTRICS	REV02	1'-0" = 1'-0"
D08/EL15	SECTION THROUGH WALL - HARDWIRE ELECTRICS	REV02	1'-0" = 1'-0"
D09/EL18	SECTION THROUGH LIGHT SWITCH	REV02	1'-0" = 1'-0"

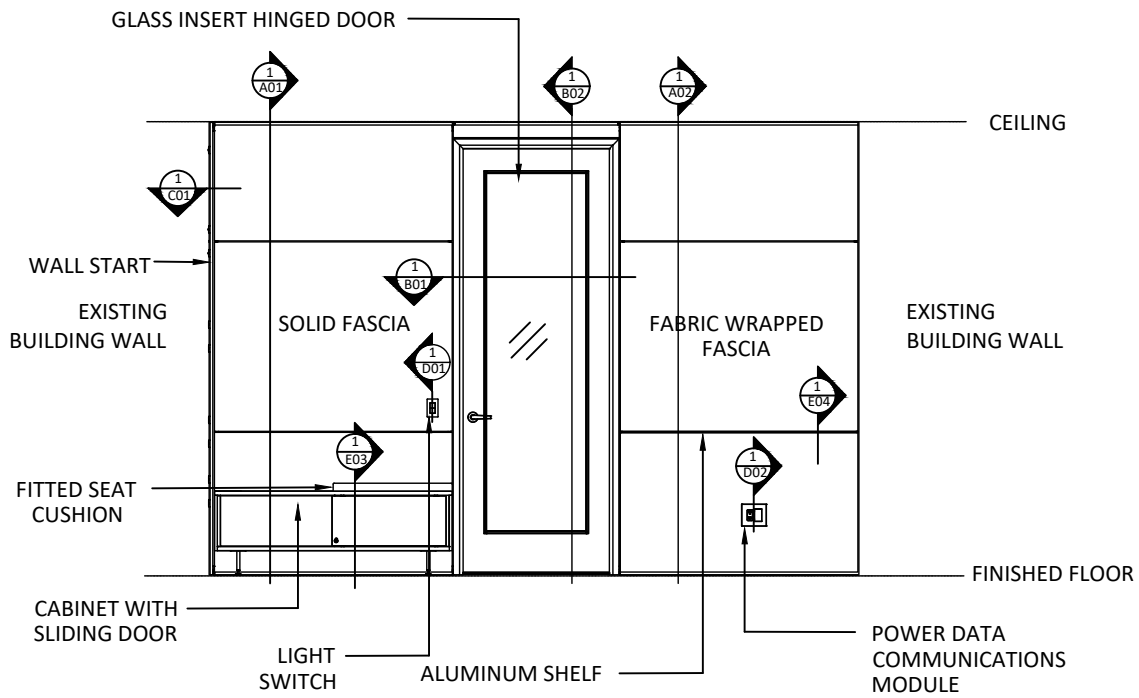
**COLLECTION & ACCESSORIES**

E01/EL5	LANDSCAPE FIXED DESK AND IN-WALL CONNECTION - HORIZONTAL SECTION	REV00	1'-0" = 1'-0"
E02/EL5	LANDSCAPE HEIGHT-ADJUSTABLE DESK AND IN-WALL CONNECTION - HORIZONTAL SECTION	REV00	1'-0" = 1'-0"
E03/EL1	WALL-MOUNTED CABINET WITH SLIDING DOOR AND FITTED SEAT CUSHION	REV00	1'-0" = 1'-0"
E04/EL1	SHELF - ALUMINUM	REV00	1'-0" = 1'-0"
E04/NA	SHELF - GLASS	REV00	1'-0" = 1'-0"
E05/EL4	SHELF - SOLID	REV00	1'-0" = 1'-0"
E05/EL3	SHELF - WHITEBOARD TRAY	REV00	1'-0" = 1'-0"

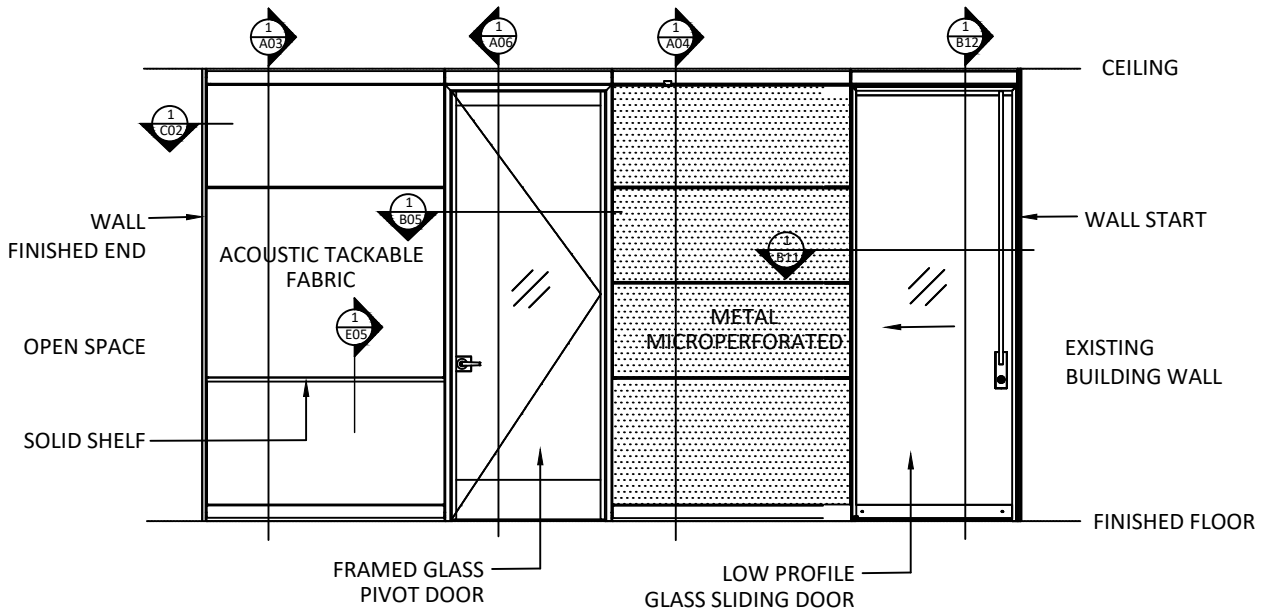
**SEISMIC APPLICATIONS**

F01	SEISMIC GENERAL NOTES 1	REV00	N.T.S.
F02	SEISMIC GENERAL NOTES 2	REV00	N.T.S.
F03	ALTOS AND ENHANCED ALTOS PARTITION	REV00	N.T.S.
F04	ALTOS PARTITION SECTION	REV00	N.T.S.
F05	ENHANCED ALTOS PARTITION SECTION	REV00	N.T.S.
F06	TOP TRACK TO BRACE CONNECTION	REV00	N.T.S.
F07	TOP TRACK TO CABLE CONNECTION	REV00	N.T.S.
F08	CEILING TOP TRACK SPLICE DETAIL	REV00	N.T.S.
F09	ENHANCED ALTOS POST SPLICE DETAIL	REV00	N.T.S.
F10	BASE ANCHORAGE CONNECTION TO CONCRETE SLAB	REV00	N.T.S.
F11	BASE ANCHORAGE CONNECTION TO WOOD FLOOR	REV00	N.T.S.

F11	BASE ANCHORAGE CONNECTION TO WOOD FLOOR	REV00	N.T.S.
F12	BRACE TO TOP BENT PLATE CONNECTION	REV00	N.T.S.
F13	BRACE CONNECTION TO CONCRETE OVER METAL DECK	REV00	N.T.S.
F14	BRACE CONNECTION TO CONCRETE SLAB	REV00	N.T.S.
F15	BRACE CONNECTION & VERTICAL STRUT TO METAL DECK	REV00	N.T.S.
F16	BRACE CONNECTION TO WOOD FLOOR	REV00	N.T.S.
F17	TOP TRACK TO HARD-LID CEILING	REV00	N.T.S.
F18	TABLE - NUMBER OF PERMITTED SHELVES	REV00	N.T.S.
<b>GL</b>	<b>GLOSSARY</b>	<b>REV03</b>	<b>N.T.S.</b>
<b>RH</b>	<b>REVISION HISTORY</b>	<b>REV03</b>	<b>N.T.S.</b>



**1** ELEVATION 1 - GLASS INSERT HINGE DOOR WITH SOLID FASCIA AND FABRIC WRAPPED FASCIA



**2** ELEVATION 2 - GLASS PIVOT DOOR AND GLASS SLIDING DOOR WITH ACOUSTIC TACKABLE FABRIC AND METAL MICROPERFORATED

ELEVATION

1'-0"=1'-0"

ALTOS DETAILING PACKAGE

MAR 01, 2024

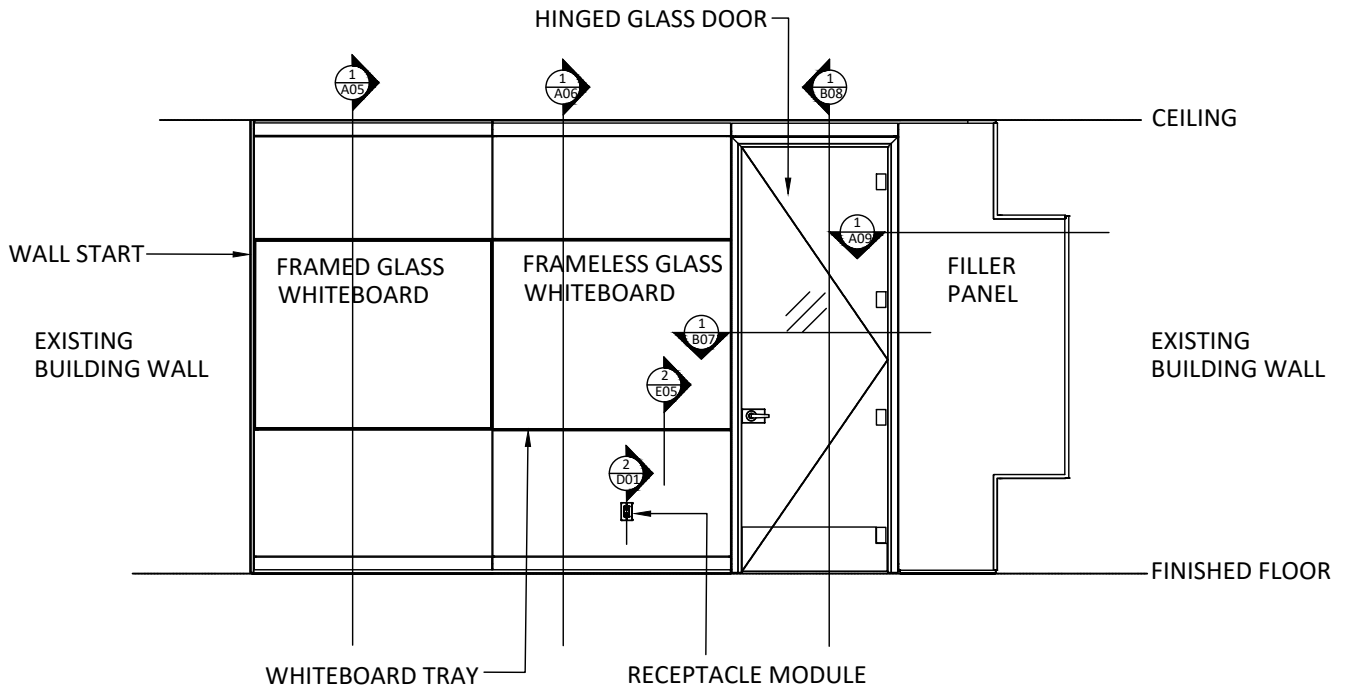
REV03

EL01

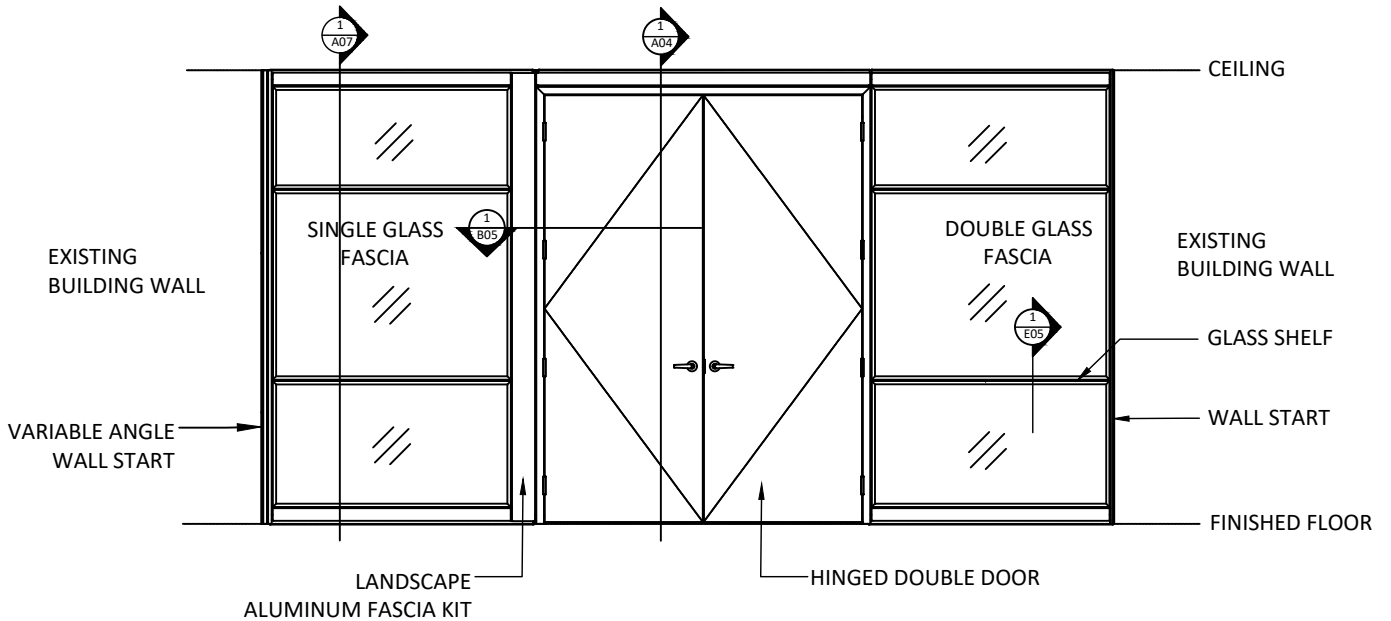
This drawing is the property of Teknion Limited and is subject to return upon demand. It must not be copied or reproduced in any manner, nor submitted to any outside parties for examination without Teknion consent. This drawing must not be scaled, or used for construction purposes.

www.teknion.com

**teknion**



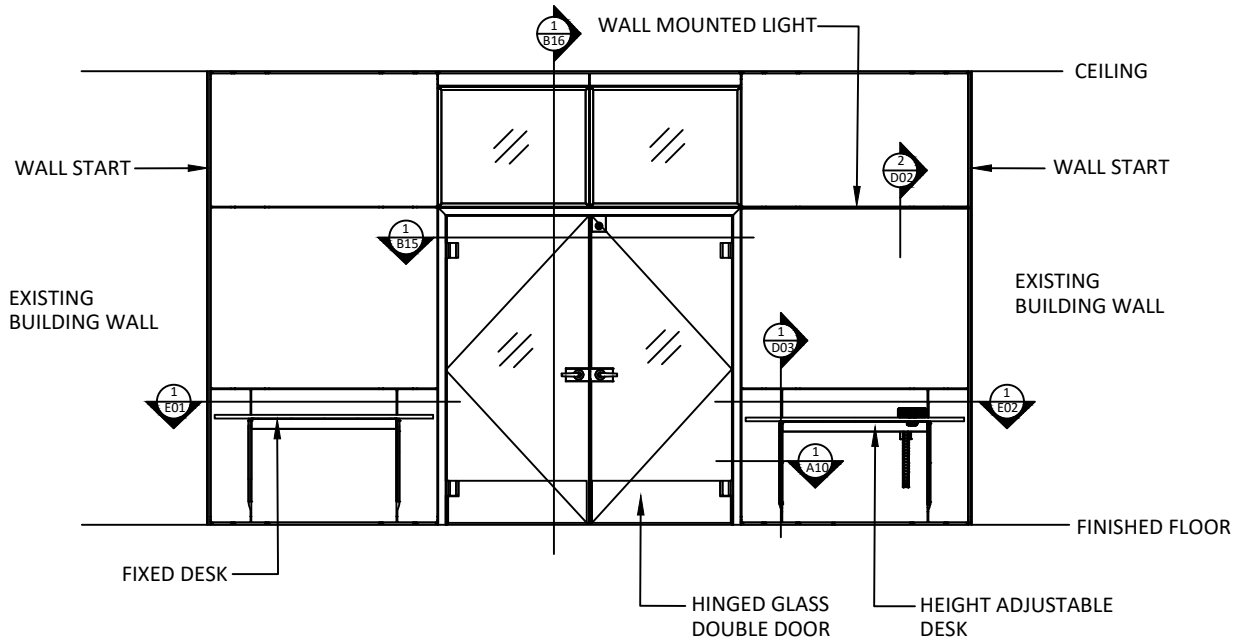
**1** ELEVATION 3 - GLASS HINGED DOOR AND SLIDING DOOR WITH FRAMED AND FRAMELESS GLASS WHITEBOARD AND FILLER PANEL



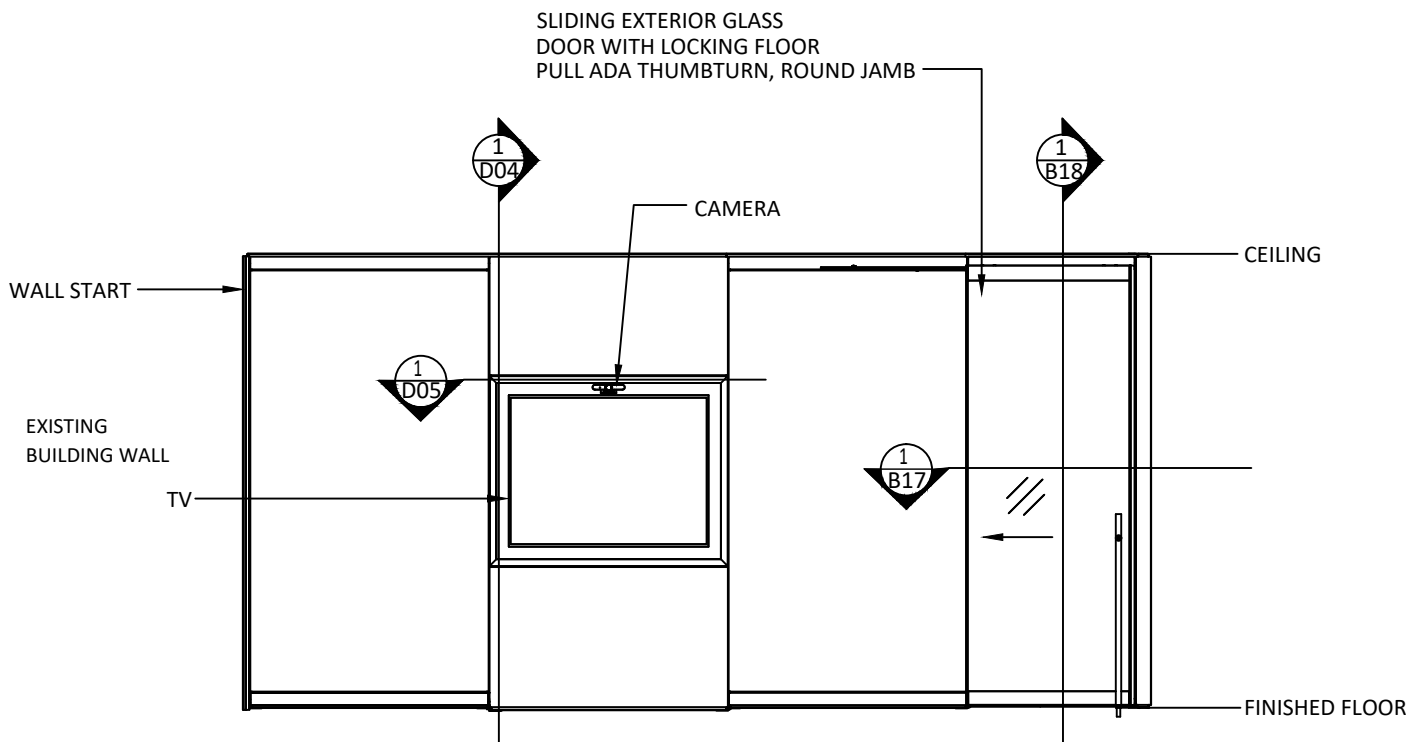
**2** ELEVATION 4 - HINGE DOUBLE DOOR WITH SINGLE AND DOUBLE GLASS FASCIA

ELEVATIONS

1'-0"=1'-0"



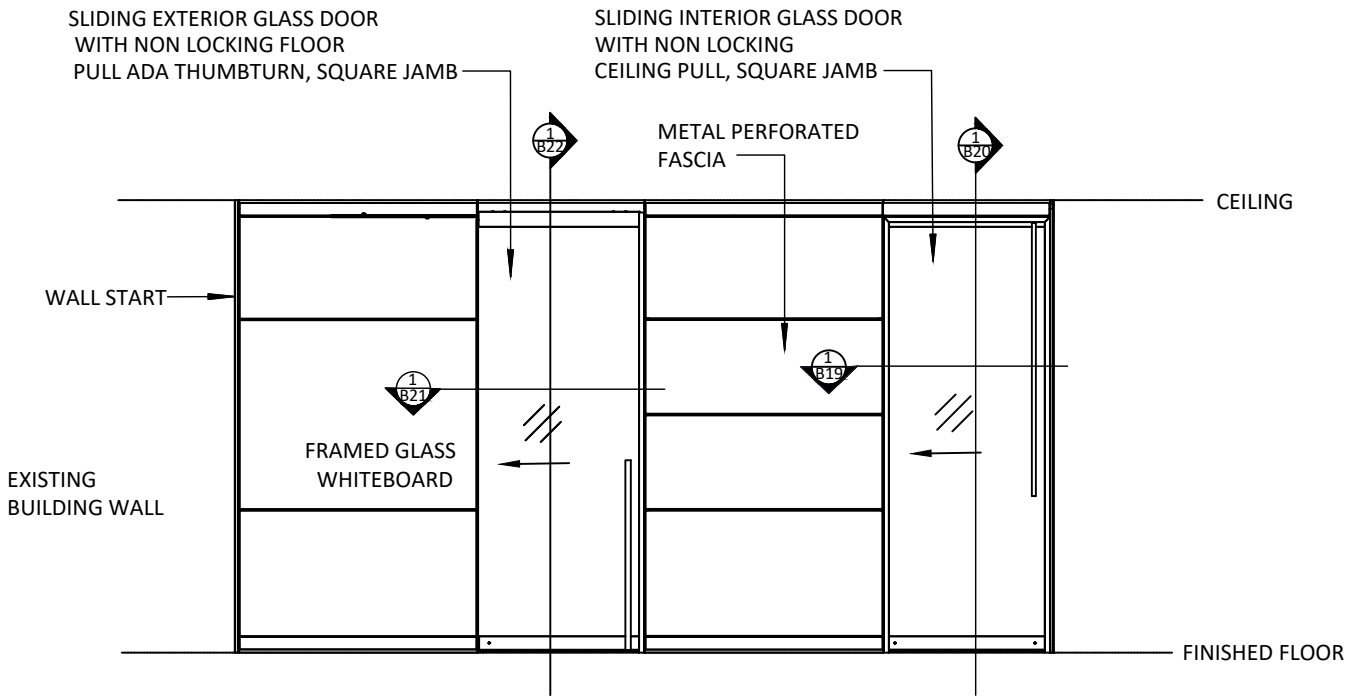
**1** ELEVATION 5 - HINGED GLASS DOUBLE DOOR SEGMENTED HEIGHT WITH FIXED DESK AND HEIGHT ADJUSTABLE DESK



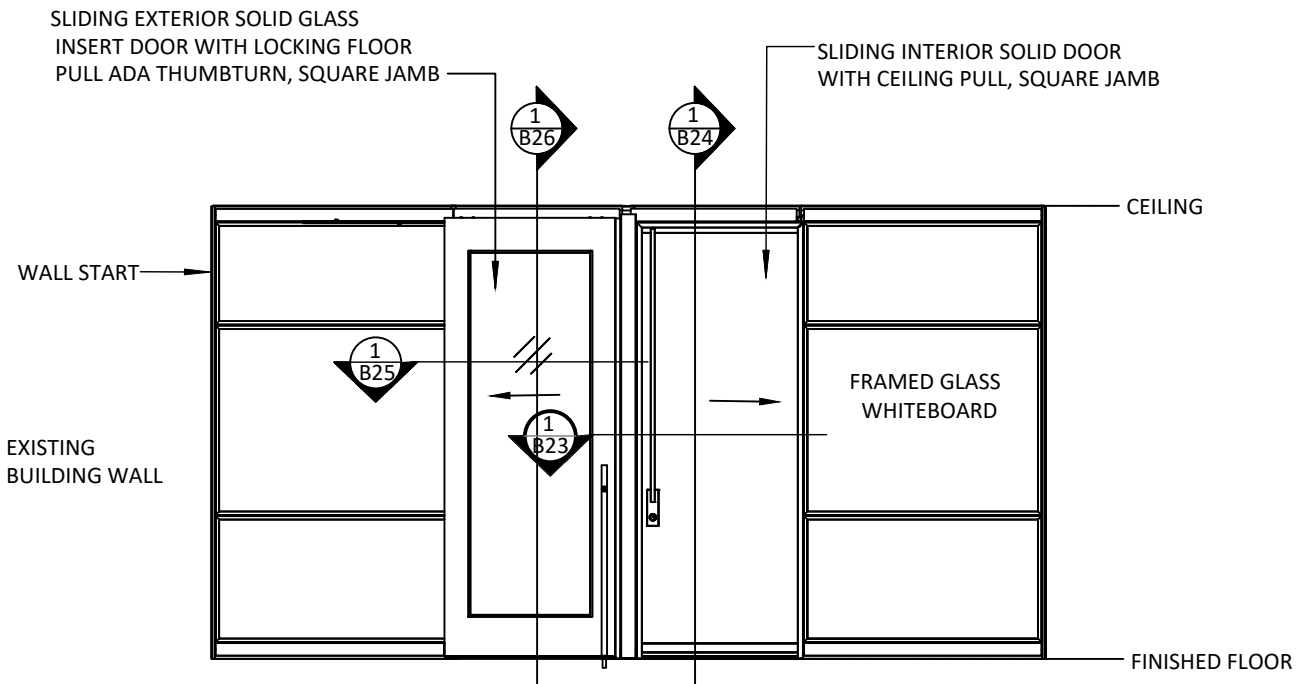
**2** ELEVATION 6 - SLIDING GLASS DOOR AND TV SHROUD

ELEVATIONS

1'-0"=1'-0"



**1** ELEVATION 7 - GLASS SLIDING DOOR INTERIOR AND EXTERIOR



**2** ELEVATION 8 - SLIDING EXTERIOR GLASS INSERT DOOR AND SLIDING INTERIOR DOOR

ELEVATIONS

1'-0"=1'-0"

ALTOS DETAILING PACKAGE

MAR 01, 2024

REV03

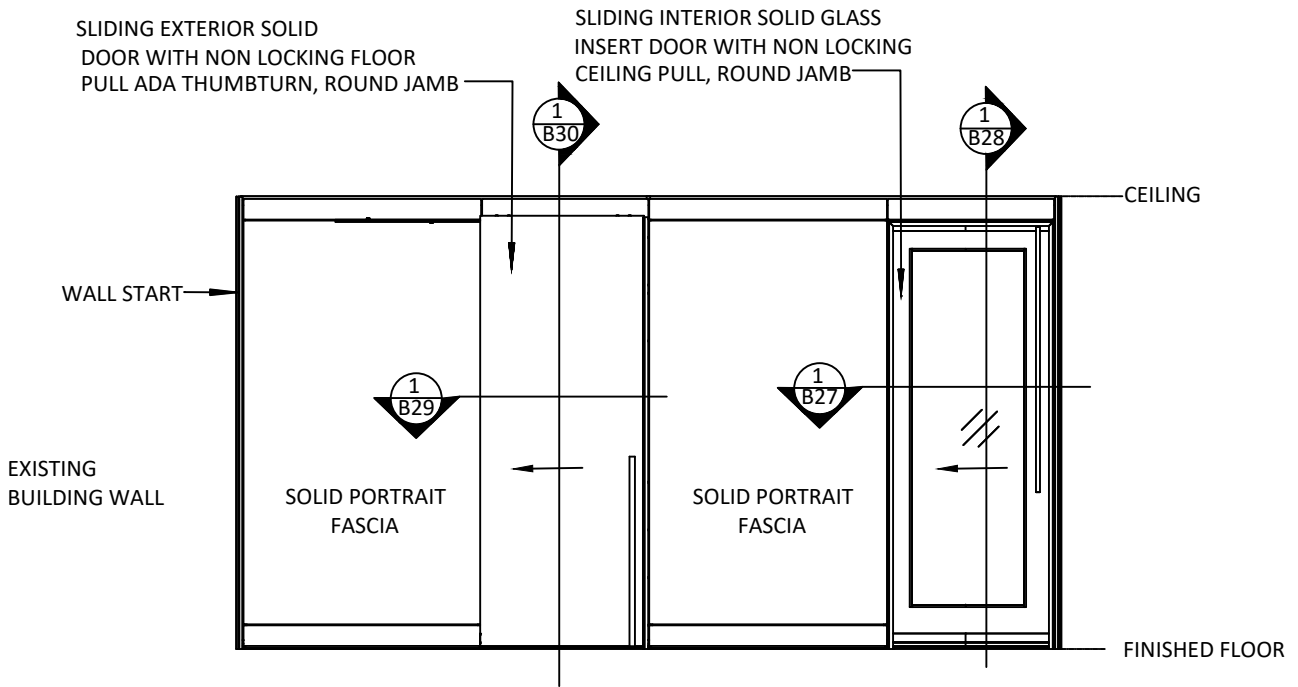
EL04

This drawing is the property of Teknion Limited and is subject to return upon demand. It must not be copied or reproduced in any manner, nor submitted to any outside parties for examination without Teknion consent. This drawing must not be scaled, or used for construction purposes.

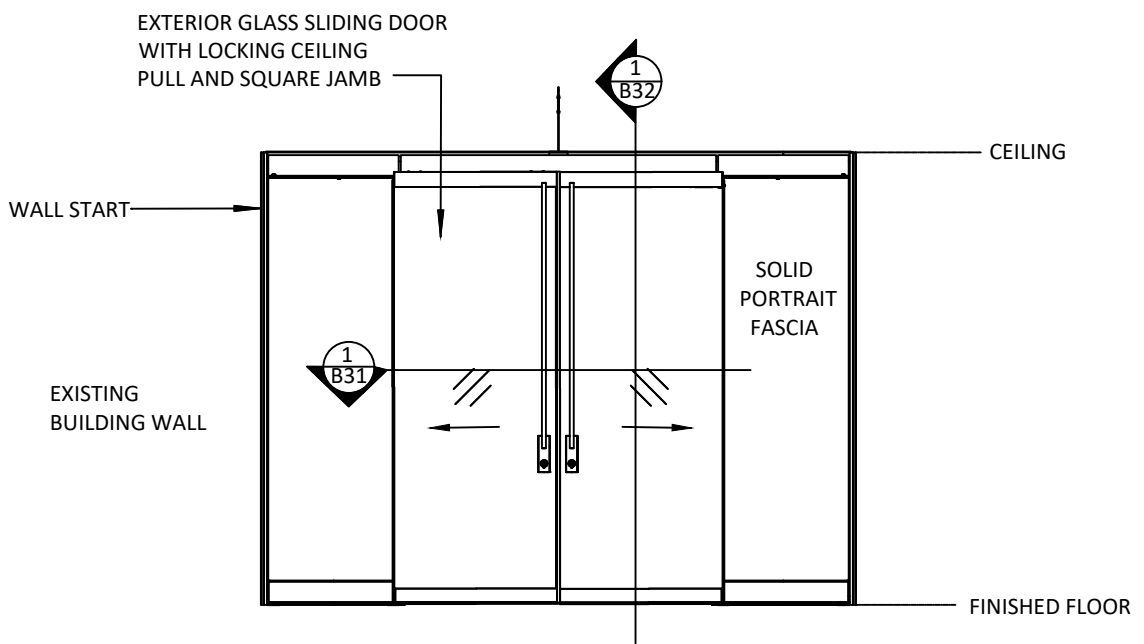
www.teknion.com

teknion





**1** ELEVATION 9 - SLIDING EXTERIOR SOLID DOOR AND SLIDING INTERIOR SOLID GLASS INSERT DOOR



**2** ELEVATION 12 - EXTERIOR GLASS SLIDING DOUBLE DOOR

ELEVATIONS

1'-0"=1'-0"

ALTOS DETAILING PACKAGE

MAR 01, 2024

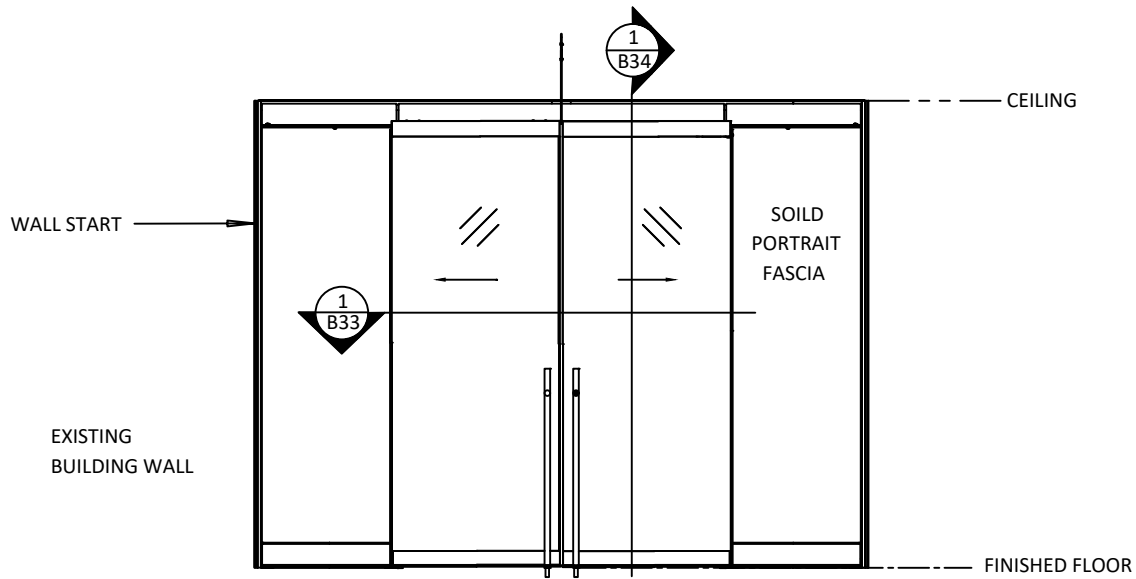
REV03

EL05

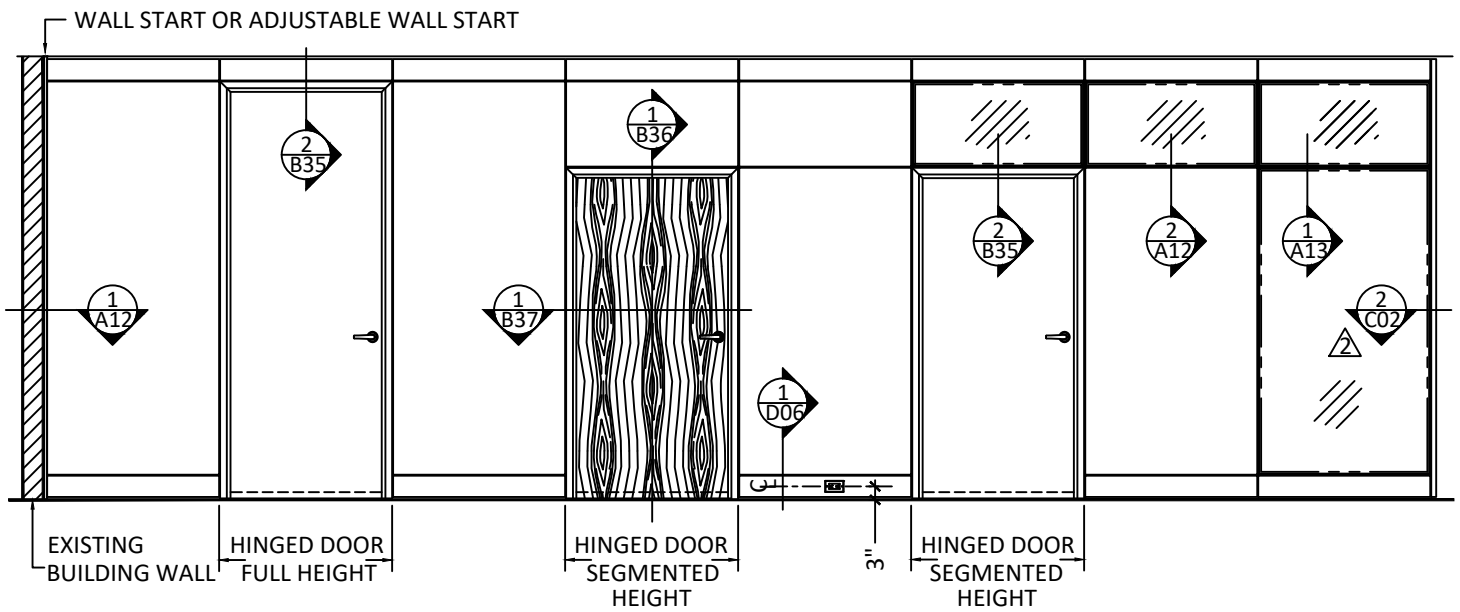
This drawing is the property of Teknion Limited and is subject to return upon demand. It must not be copied or reproduced in any manner, nor submitted to any outside parties for examination without Teknion consent. This drawing must not be scaled, or used for construction purposes.

www.teknion.com

teknion



**1** ELEVATION 13 - EXTERIOR GLASS SLIDNG DOOR WITH LOCKING FLOOR PULL AND ROUND JAMB



**2** ELEVATION 14 - SOLID FULL AND SEGMENTED HEIGHT HINGED DOOR

ELEVATIONS

1'-0"=1'-0"

ALTOS DETAILING PACKAGE

MAR 01, 2024

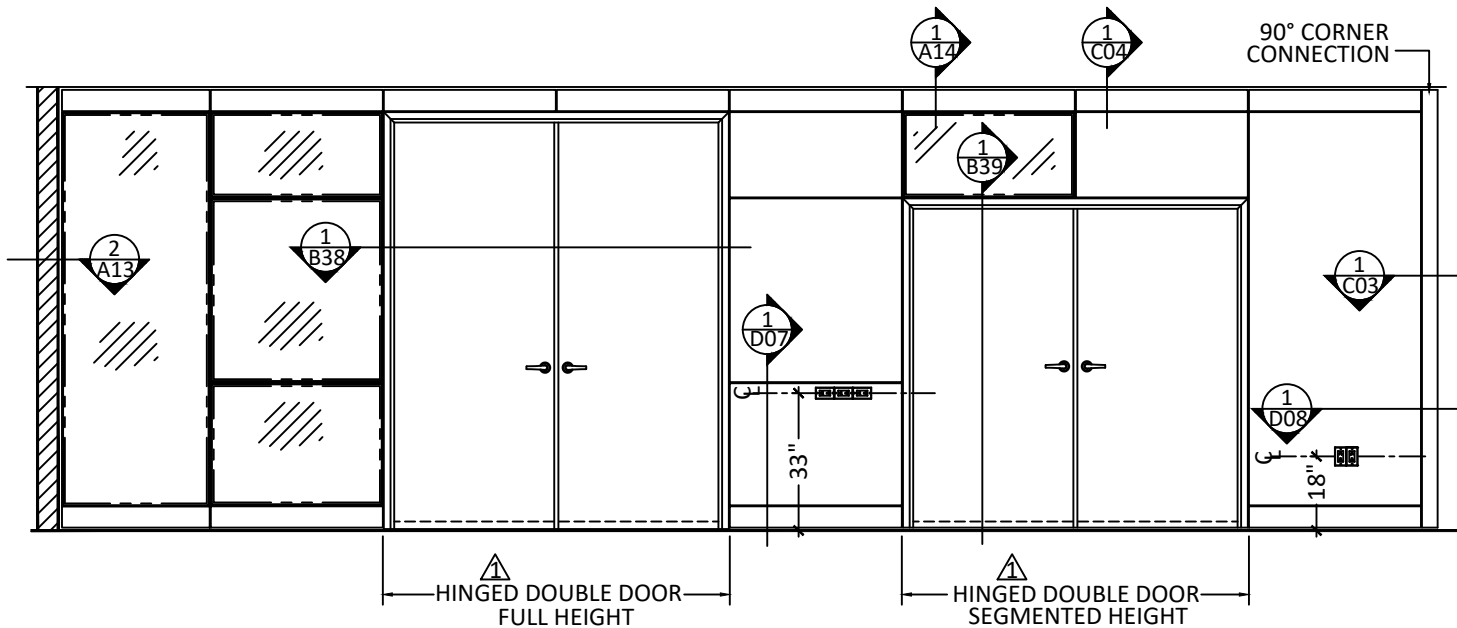
REV02

EL06

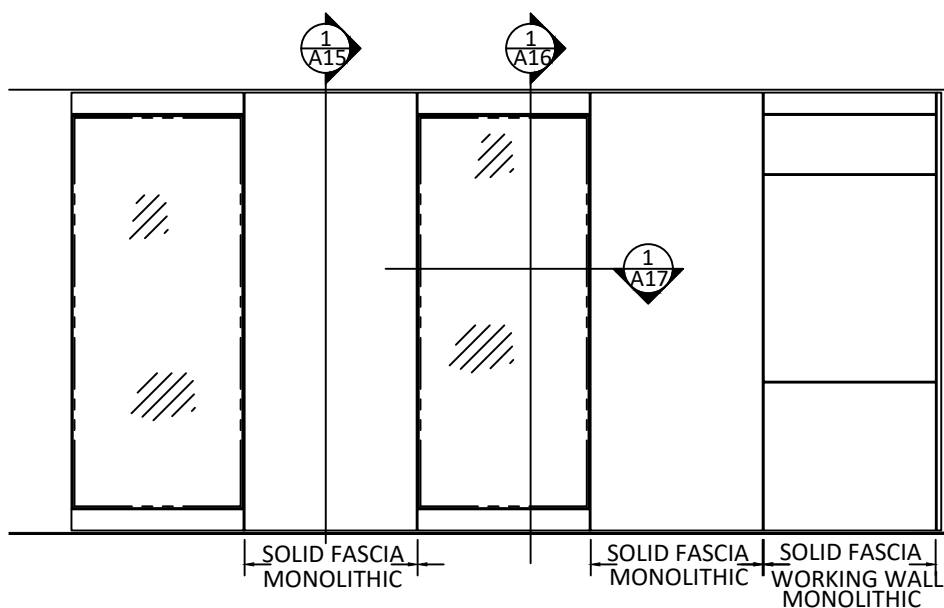
This drawing is the property of Teknion Limited and is subject to return upon demand. It must not be copied or reproduced in any manner, nor submitted to any outside parties for examination without Teknion consent. This drawing must not be scaled, or used for construction purposes..

www.teknion.com

**teknion**



**1** ELEVATION 15 - SOLID FULL AND SEGMENTED HEIGHT HINGED DOUBLE DOOR



**2** ELEVATION 16 - SOLID FASCIA MONOLITHIC AND WORKING WALL

ELEVATIONS

1'-0"=1'-0"

ALTOS DETAILING PACKAGE

MAR 01, 2024

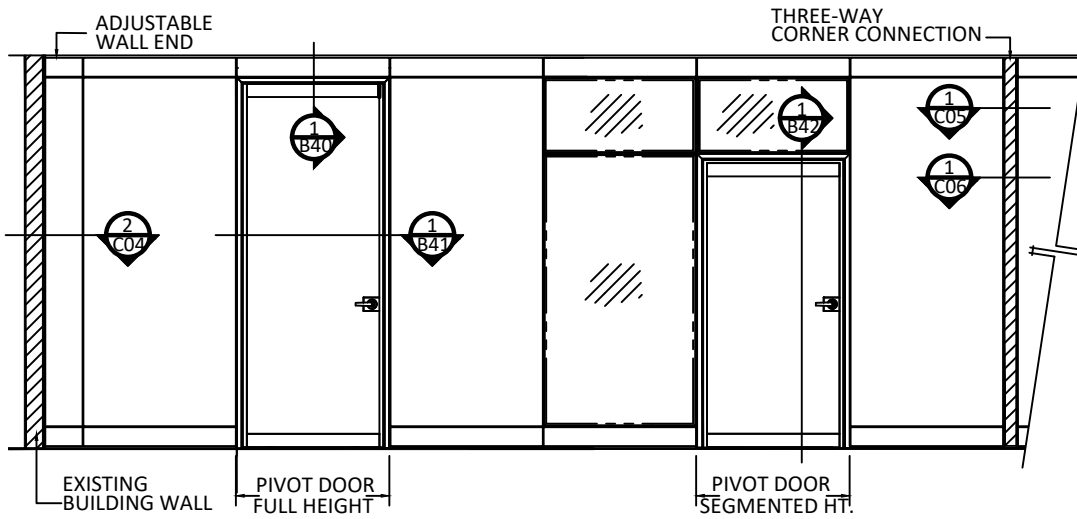
REV02

EL07

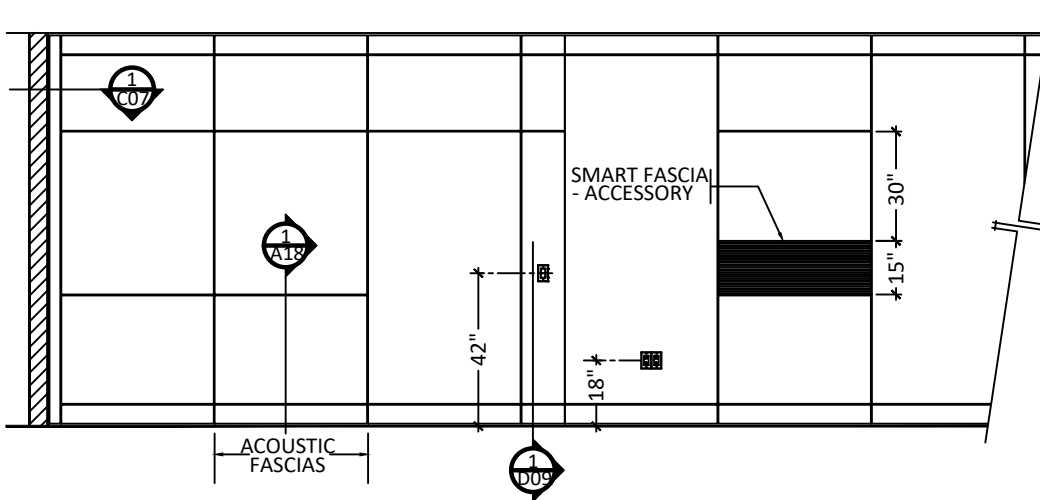
This drawing is the property of Teknion Limited and is subject to return upon demand. It must not be copied or reproduced in any manner, nor submitted to any outside parties for examination without Teknion consent. This drawing must not be scaled, or used for construction purposes..

www.teknion.com

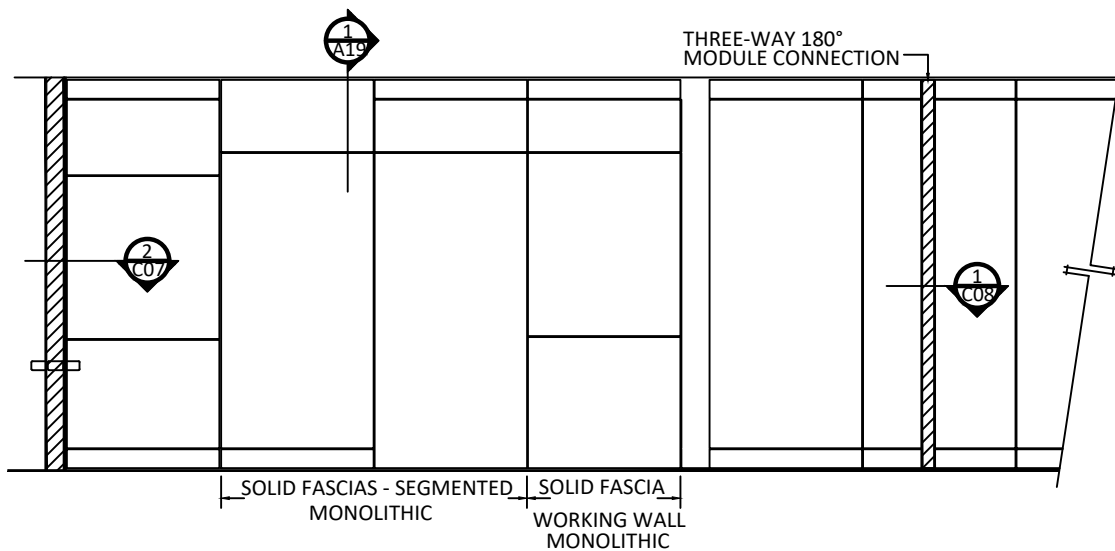
**teknion**



**1** ELEVATION 17 - FULL HEIGHT AND SEGMENTED HEIGHT PIVOT DOOR



**2** ELEVATION 18 - ACOUSTIC FASCIA AND SMART FASCIA-ACCESSORY



**3** ELEVATION 19 - SOLID FASCIA MONOLITHIC AND THREE -WAY 180° MODULE CONNECTION

ELEVATIONS

1'-0"=1'-0"

ALTOS DETAILING PACKAGE

MAR 01, 2024

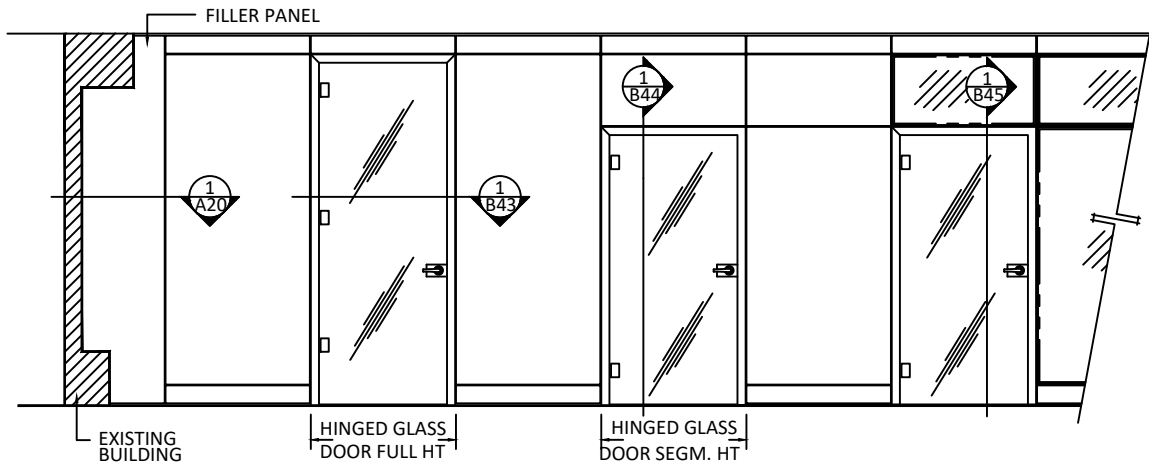
REV02

EL08

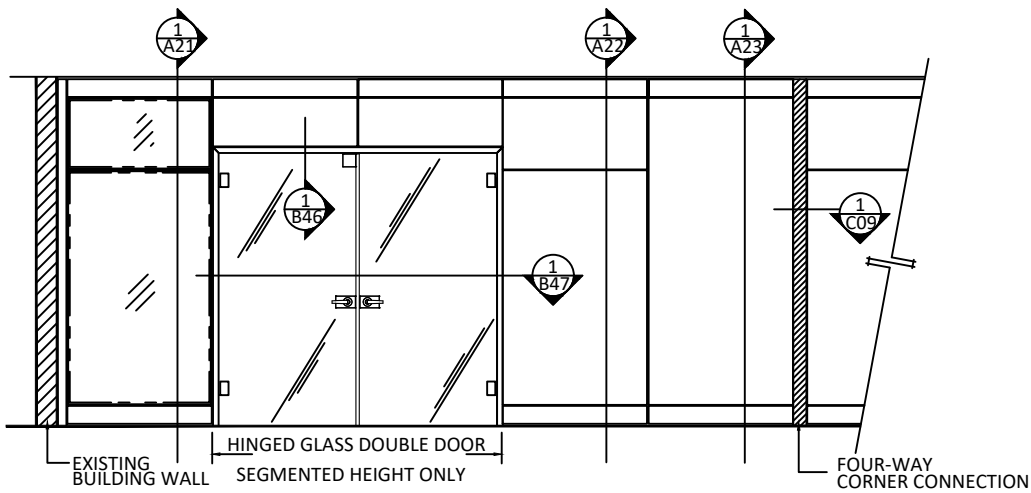
This drawing is the property of Teknion Limited and is subject to return upon demand. It must not be copied or reproduced in any manner, nor submitted to any outside parties for examination without Teknion consent. This drawing must not be scaled, or used for construction purposes..

www.teknion.com

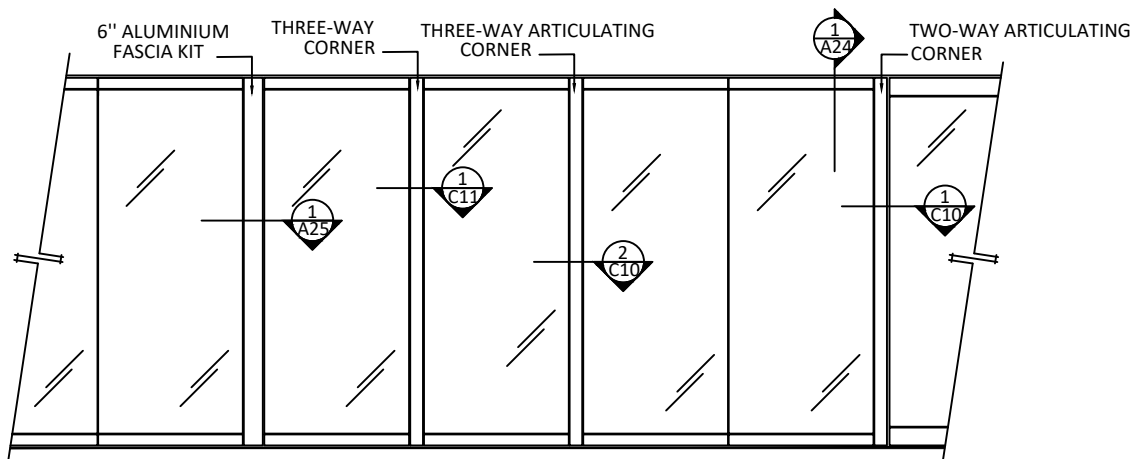
teknion



**1** ELEVATION 20 - GLASS FULL AND SEGMENTED HEIGHT HINGED DOOR



**2** ELEVATION 21 - HINGED GLASS DOUBLE DOOR SEGMENTED HEIGHT



**3** ELEVATION 22 - ARTICULATING 2 & 3 WAY CORNER CONNECTIONS

ELEVATIONS

1'-0"=1'-0"

ALTOS DETAILING PACKAGE

MAR 01, 2024

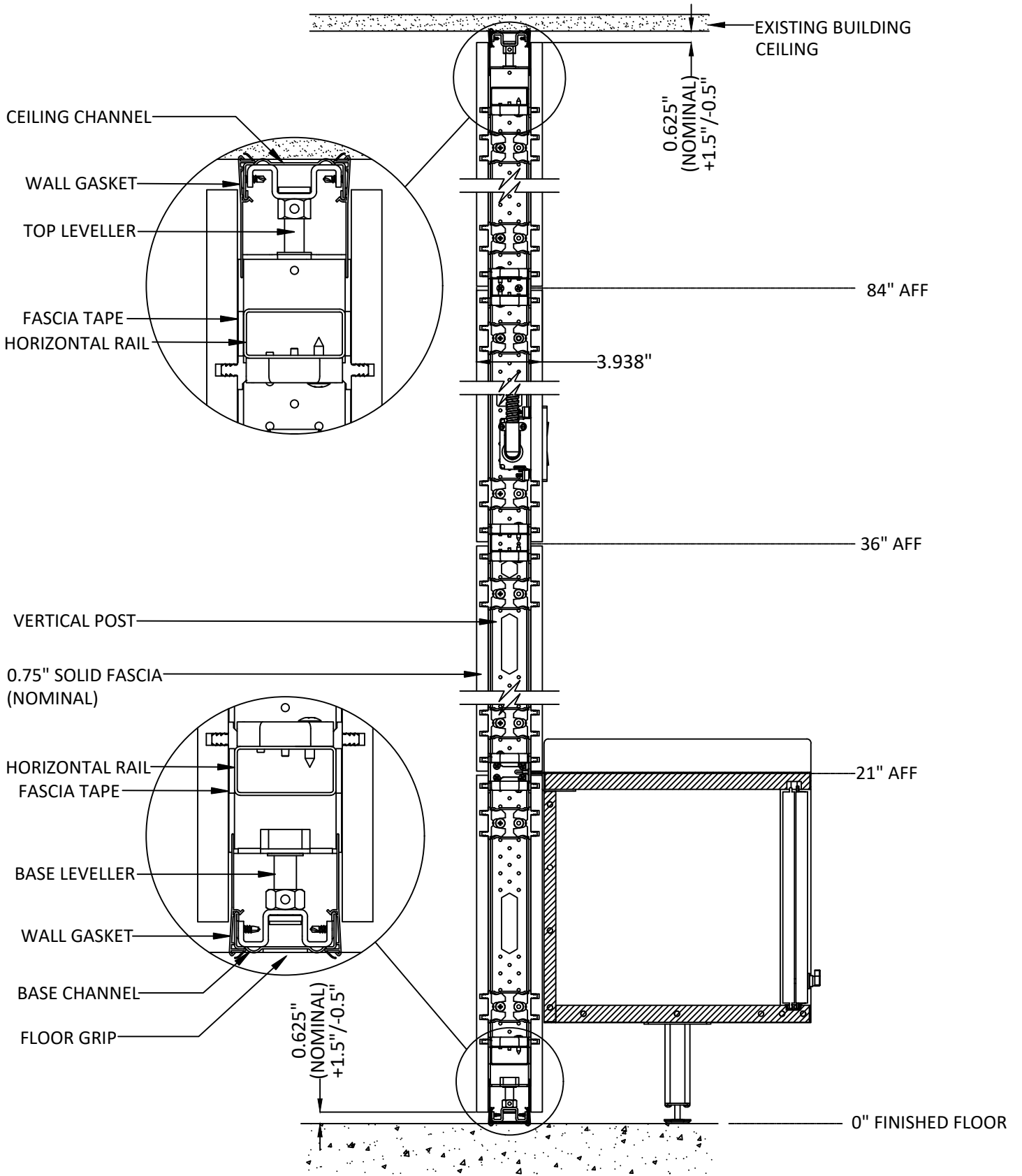
REV02

ELO9

This drawing is the property of Teknion Limited and is subject to return upon demand. It must not be copied or reproduced in any manner, nor submitted to any outside parties for examination without Teknion consent. This drawing must not be scaled, or used for construction purposes..

www.teknion.com

**teknion**



**1 SOLID - CABINET WORKING WALL: MONOLITHIC**

FASCIAS

1'-0"=1'-0"

ALTOS DETAILING PACKAGE

MAR 01, 2024

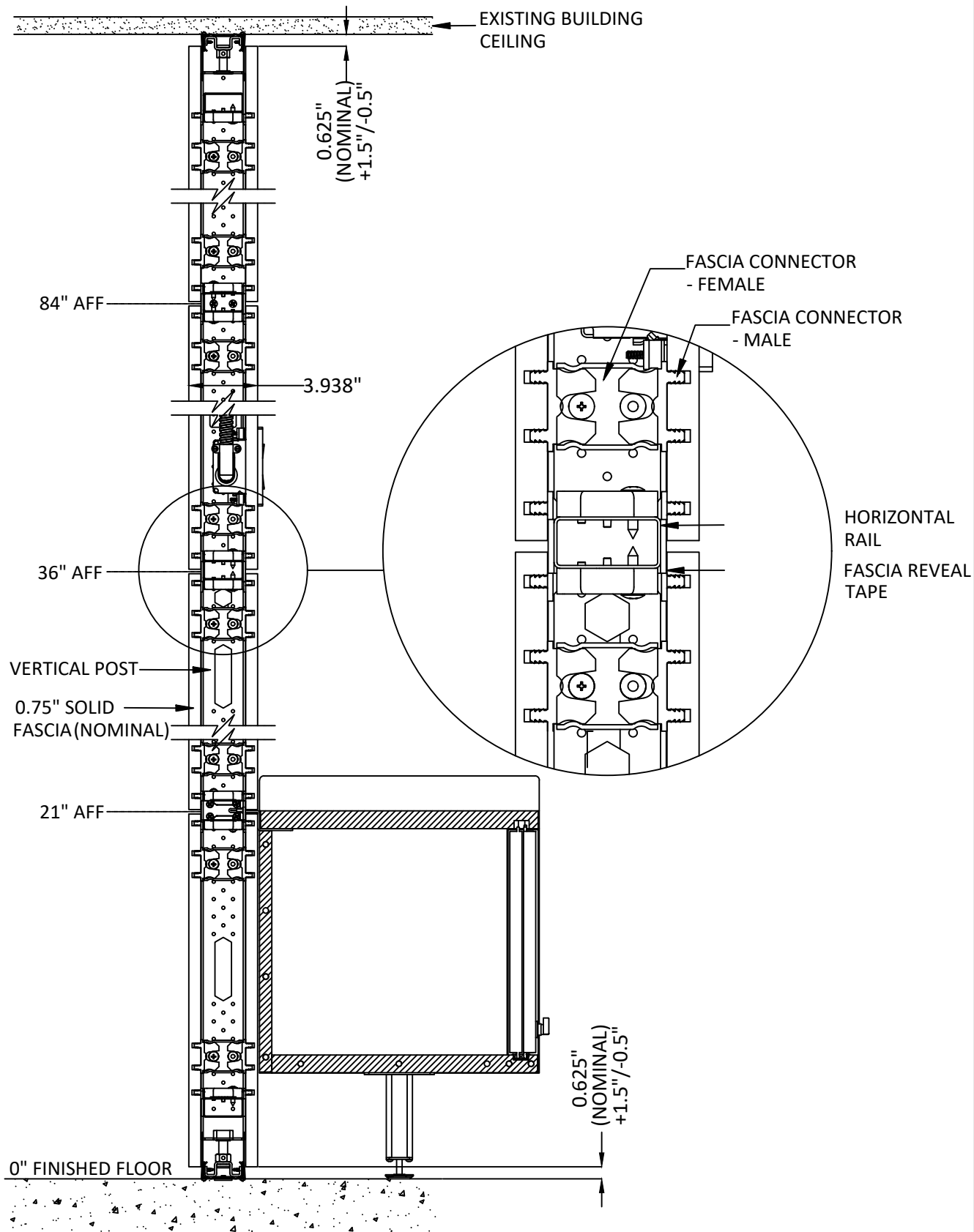
REV00

A01-1

This drawing is the property of Teknion Limited and is subject to return upon demand. It must not be copied or reproduced in any manner, nor submitted to any outside parties for examination without Teknion consent. This drawing must not be scaled, or used for construction purposes.

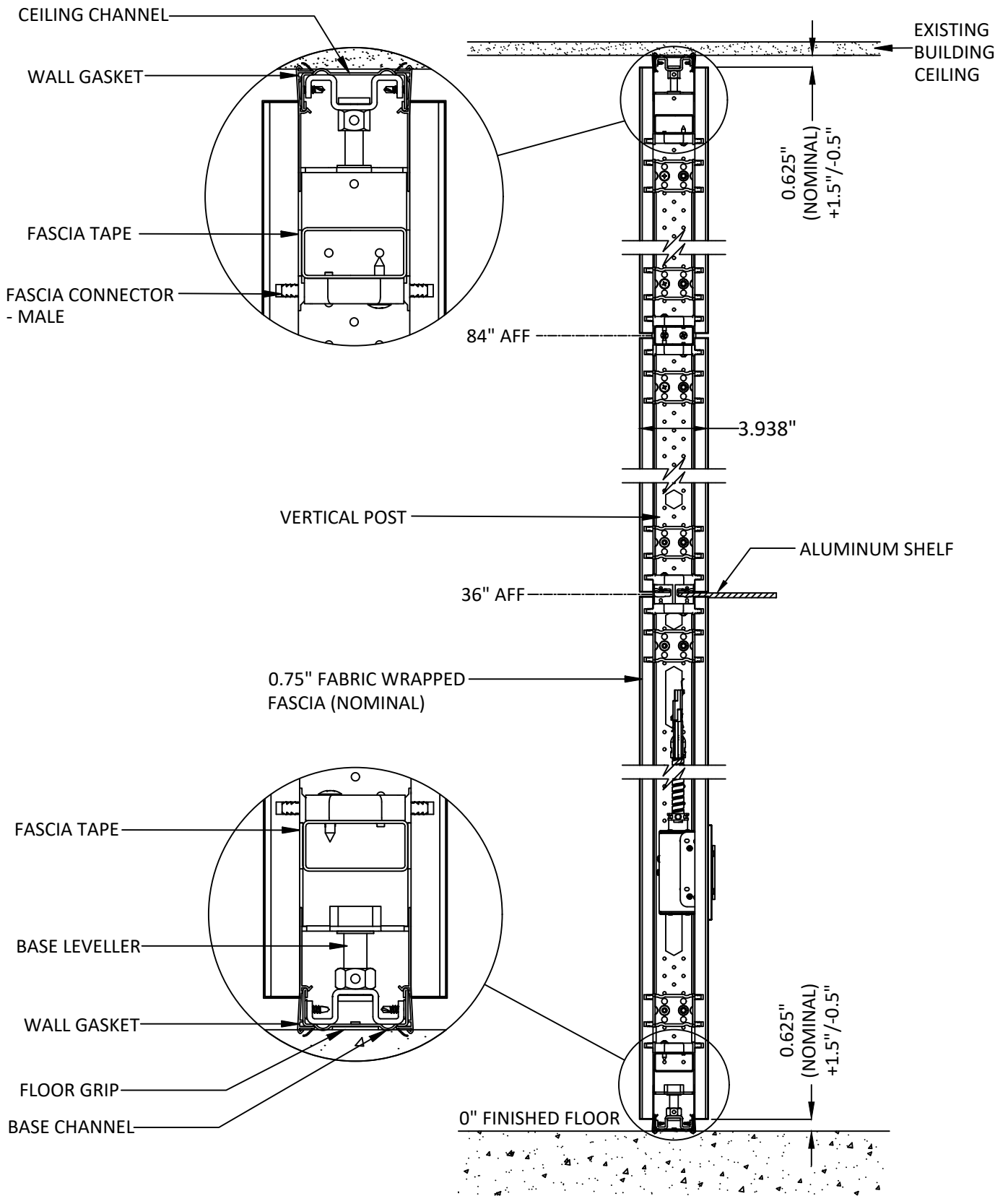
www.teknion.com

**teknion**



**1 SOLID - CABINET WORKING WALL: MONOLITHIC**

This drawing is the property of Teknion Limited and is subject to return upon demand. It must not be copied or reproduced in any manner, nor submitted to any outside parties for examination without Teknion consent. This drawing must not be scaled, or used for construction purposes.



**1** FABRIC WRAPPED - STANDARD WORKING WALL:  
MONOLITHIC

FASCIAS

1'-0"=1'-0"

ALTOS DETAILING PACKAGE

MAR 01, 2024

REV00

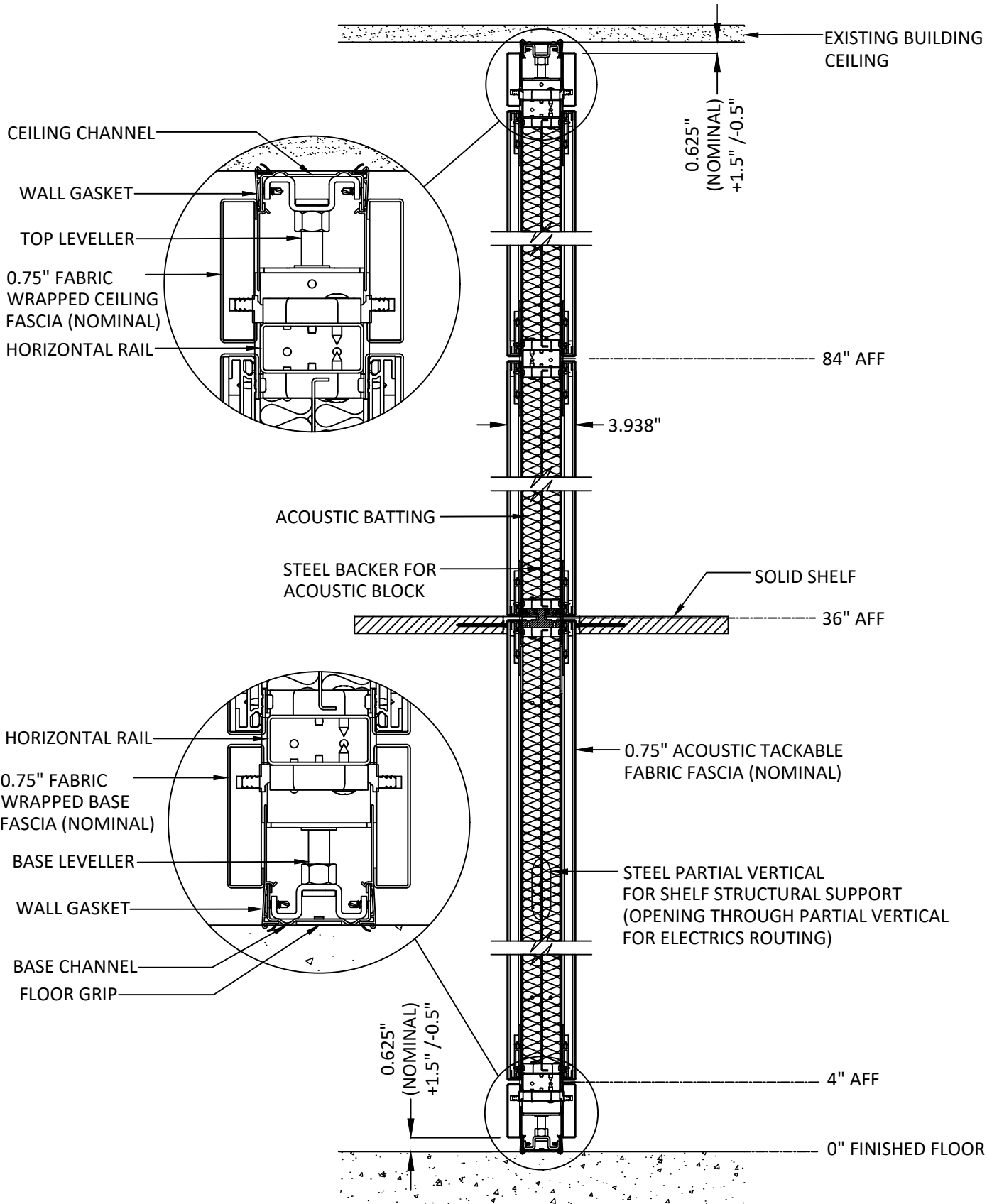
A02

This drawing is the property of Teknion Limited and is subject to return upon demand. It must not be copied or reproduced in any manner, nor submitted to any outside parties for examination without Teknion consent. This drawing must not be scaled, or used for construction purposes.

www.teknion.com

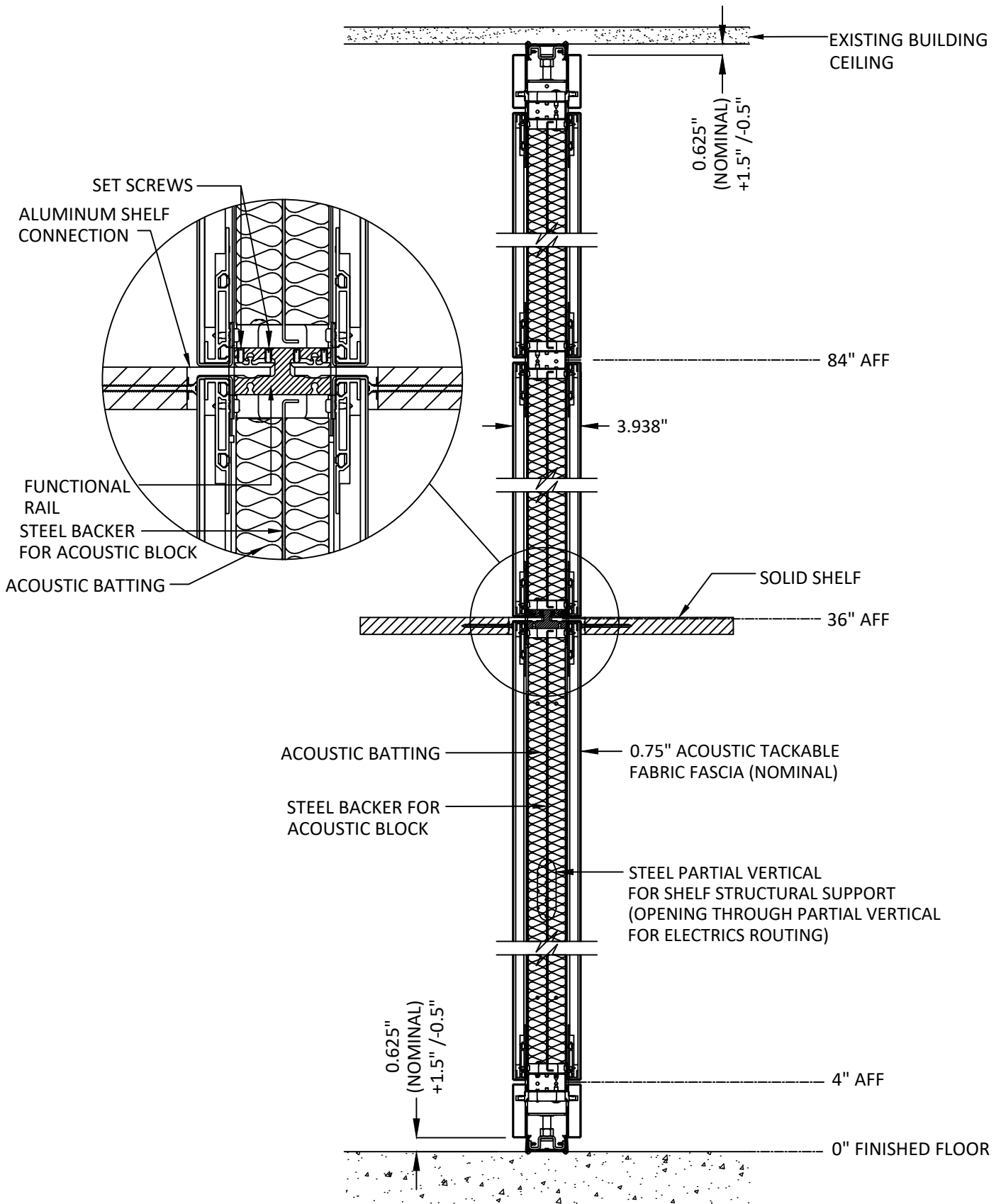
**teknion**





**1** ACOUSTIC TACKABLE - STANDARD WORKING WALL WITH BASE AND CEILING FASCIAS

This drawing is the property of Teknion Limited and is subject to return upon demand. It must not be copied or reproduced in any manner, nor submitted to any outside parties for examination without Teknion consent. This drawing must not be scaled, or used for construction purposes.



**1** ACOUSTIC TACKABLE - STANDARD WORKING WALL WITH BASE AND CEILING FASCIAS

FASCIAS

1'-0"=1'-0"

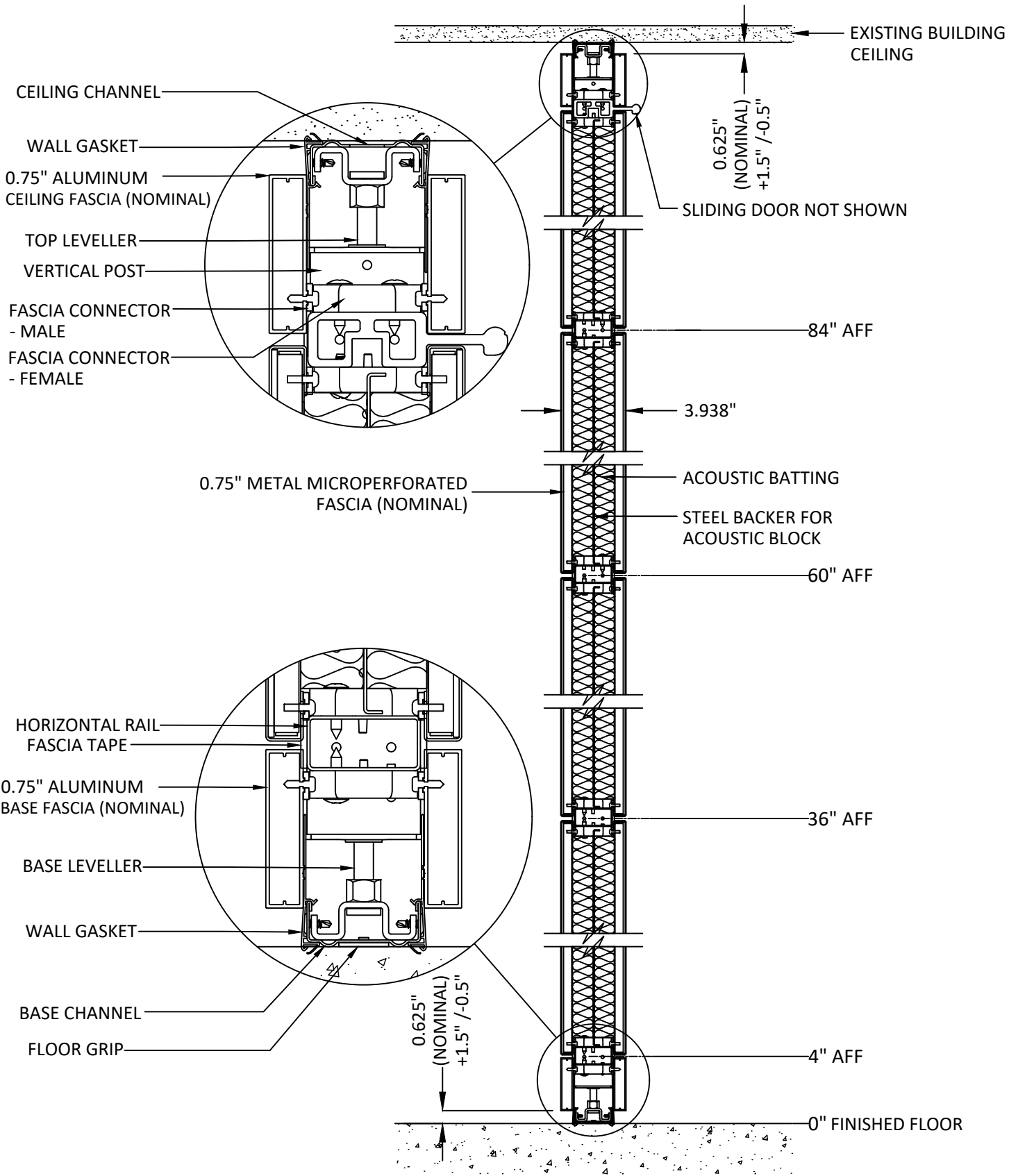
ALTOS DETAILING PACKAGE

MAR 01, 2024

REV00

A03-2

This drawing is the property of Teknion Limited and is subject to return upon demand. It must not be copied or reproduced in any manner, nor submitted to any outside parties for examination without Teknion consent. This drawing must not be scaled, or used for construction purposes.



**1 METAL MICROPERFORATED - LIGHT WORKING WALL WITH BASE AND CEILING FASCIAS**

FASCIAS

1'-0"=1'-0"

ALTOS DETAILING PACKAGE

MAR 01, 2024

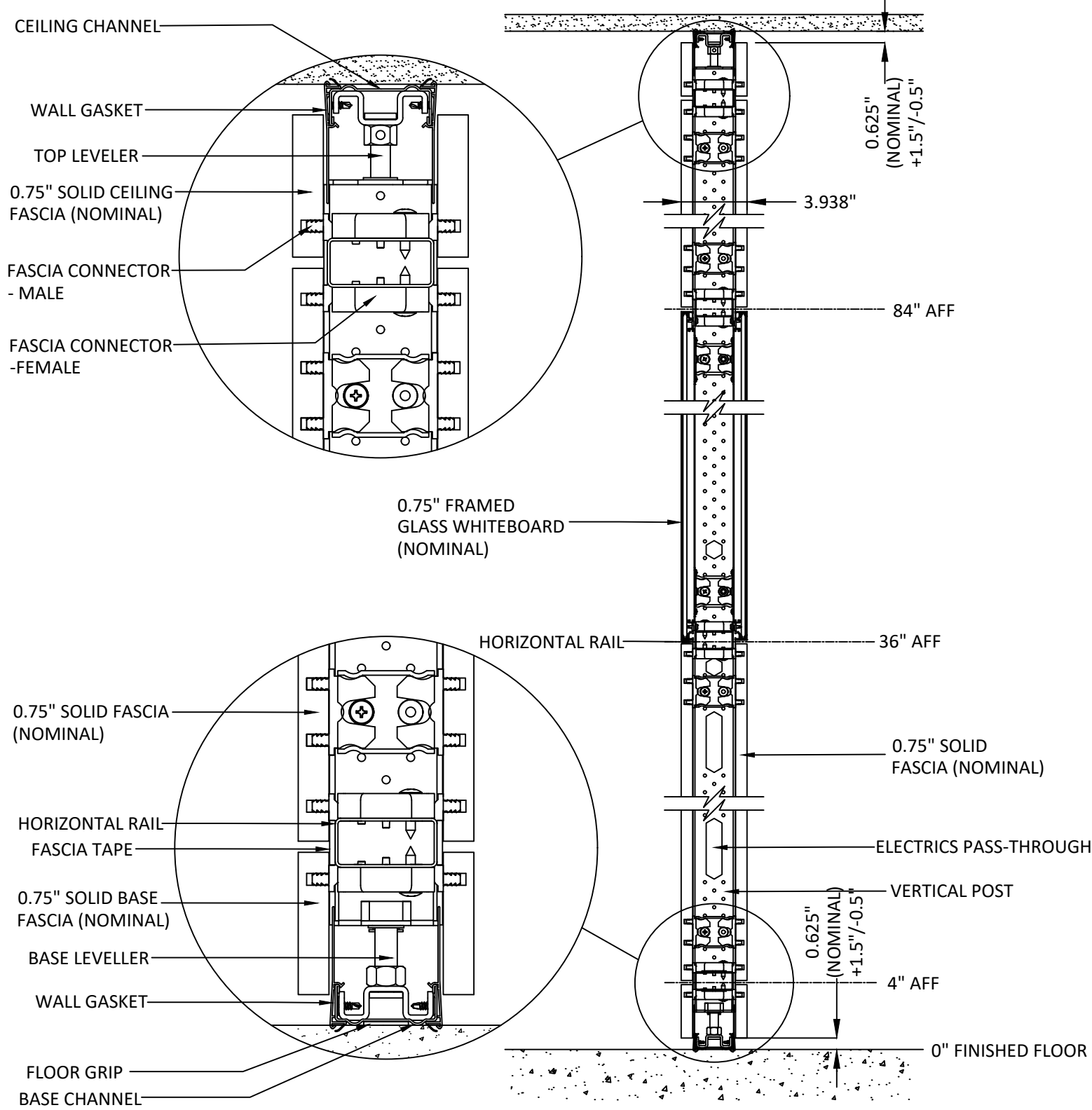
REV00

A04

This drawing is the property of Teknion Limited and is subject to return upon demand. It must not be copied or reproduced in any manner, nor submitted to any outside parties for examination without Teknion consent. This drawing must not be scaled, or used for construction purposes.

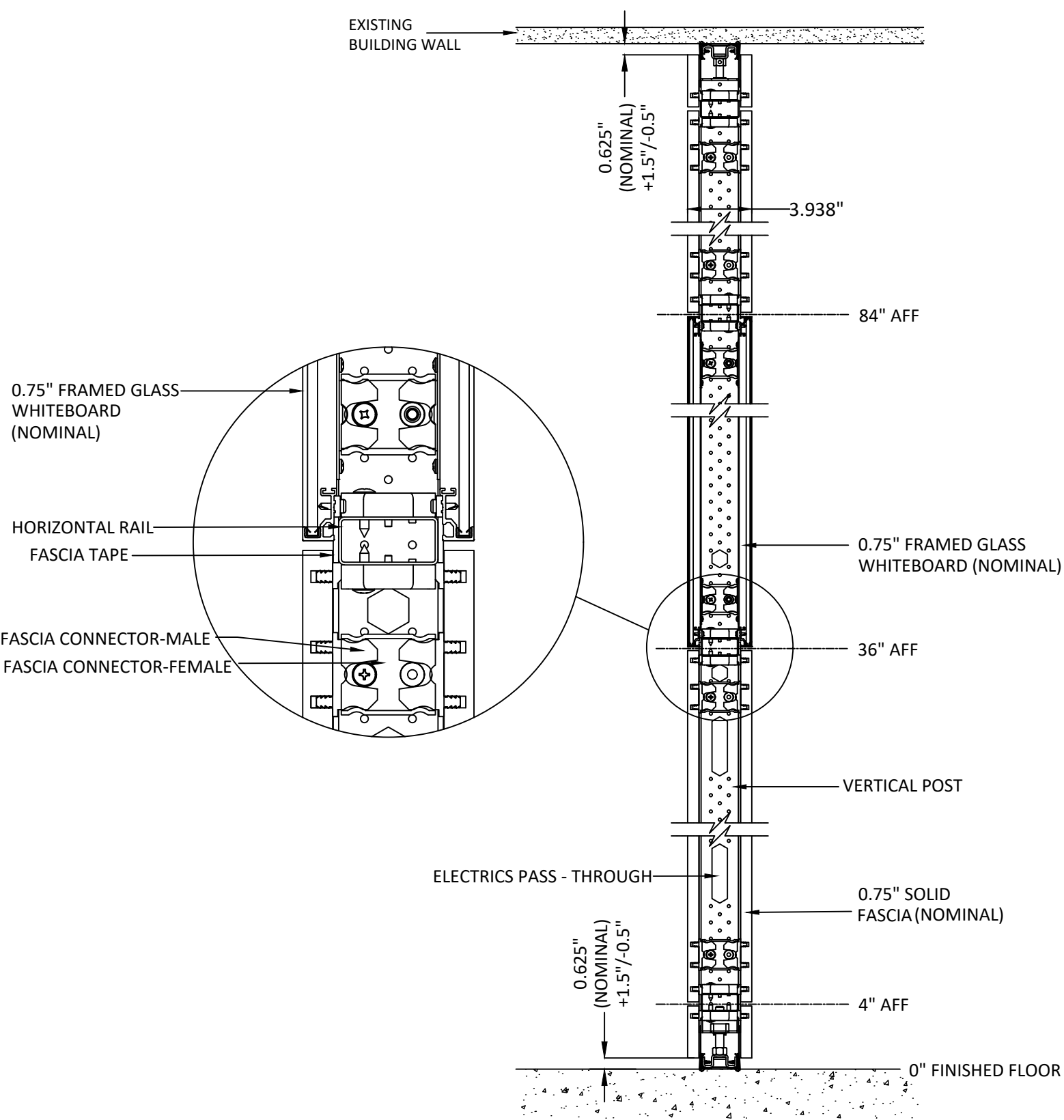
www.teknion.com

**teknion**



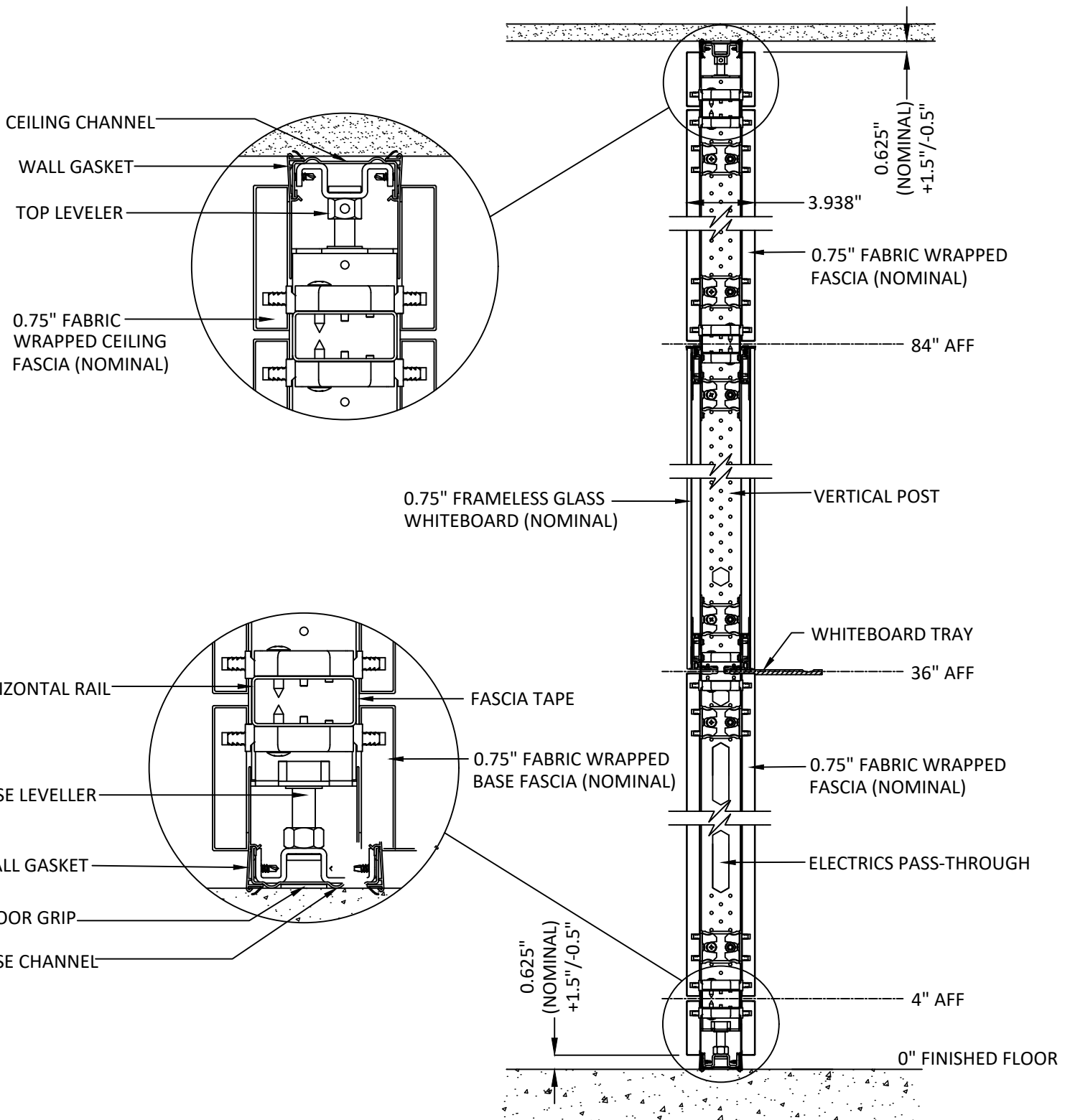
**1** FRAMED WHITEBOARD - STANDARD WORKING  
WALL WITH BASE AND CEILING FASCIAS

This drawing is the property of Teknion Limited and is subject to return upon demand. It must not be copied or reproduced in any manner, nor submitted to any outside parties for examination without Teknion consent. This drawing must not be scaled, or used for construction purposes.



**1** FRAMED WHITEBOARD - STANDARD WORKING  
WALL WITH BASE AND CEILING FASCIAS

This drawing is the property of Teknion Limited and is subject to return upon demand. It must not be copied or reproduced in any manner, nor submitted to any outside parties for examination without Teknion consent. This drawing must not be scaled, or used for construction purposes.



**1** FRAMELESS WHITEBOARD - STANDARD WORKING  
WALL WITH BASE AND CEILING FASCIAS

FASCIAS

1'-0"=1'-0"

ALTOS DETAILING PACKAGE

MAR 01, 2024

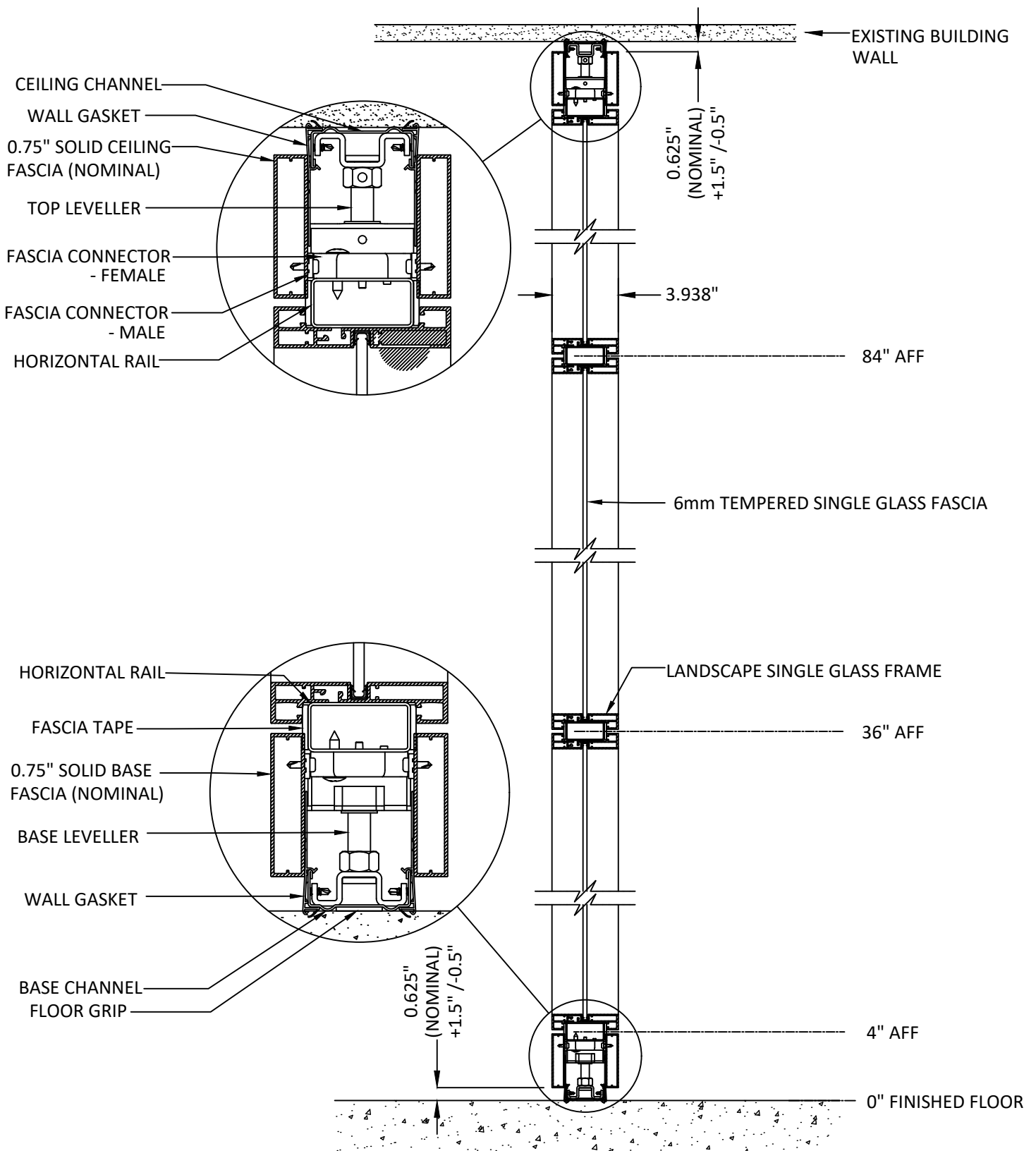
REV00

A06

This drawing is the property of Teknion Limited and is subject to return upon demand. It must not be copied or reproduced in any manner, nor submitted to any outside parties for examination without Teknion consent. This drawing must not be scaled, or used for construction purposes.

www.teknion.com

**teknion**



**1 SINGLE GLASS - STANDARD WORKING WALL WITH BASE AND CEILING FASCIAS**

FASCIAS

1'-0"=1'-0"

ALTOS DETAILING PACKAGE

MAR 01, 2024

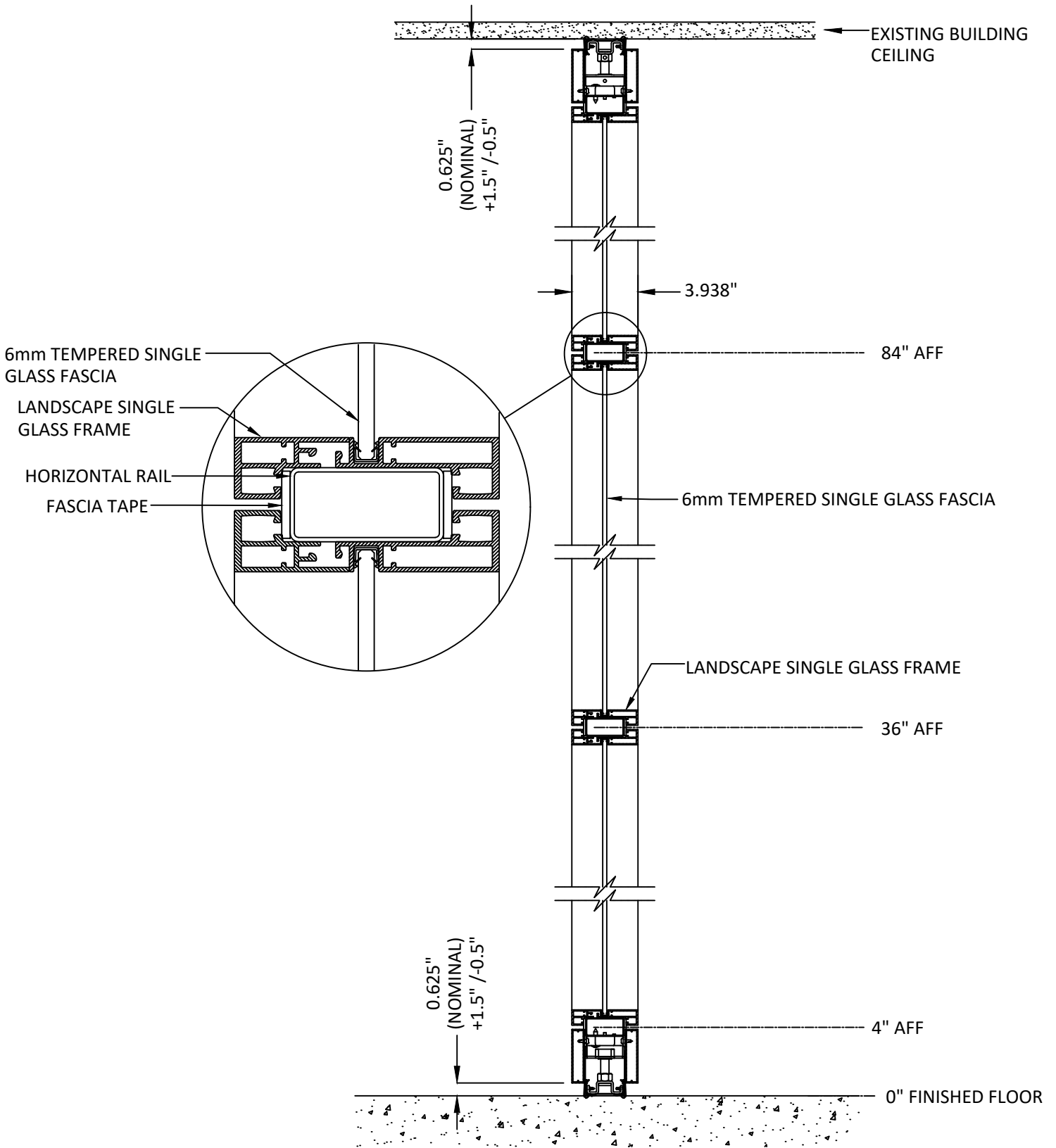
REV00

A07-1

This drawing is the property of Teknion Limited and is subject to return upon demand. It must not be copied or reproduced in any manner, nor submitted to any outside parties for examination without Teknion consent. This drawing must not be scaled, or used for construction purposes.

www.teknion.com

**teknion**



**1 SINGLE GLASS - STANDARD WORKING WALL WITH  
BASE AND CEILING FASCIAS**

FASCIAS

1'-0"=1'-0"

ALTOS DETAILING PACKAGE

MAR 01, 2024

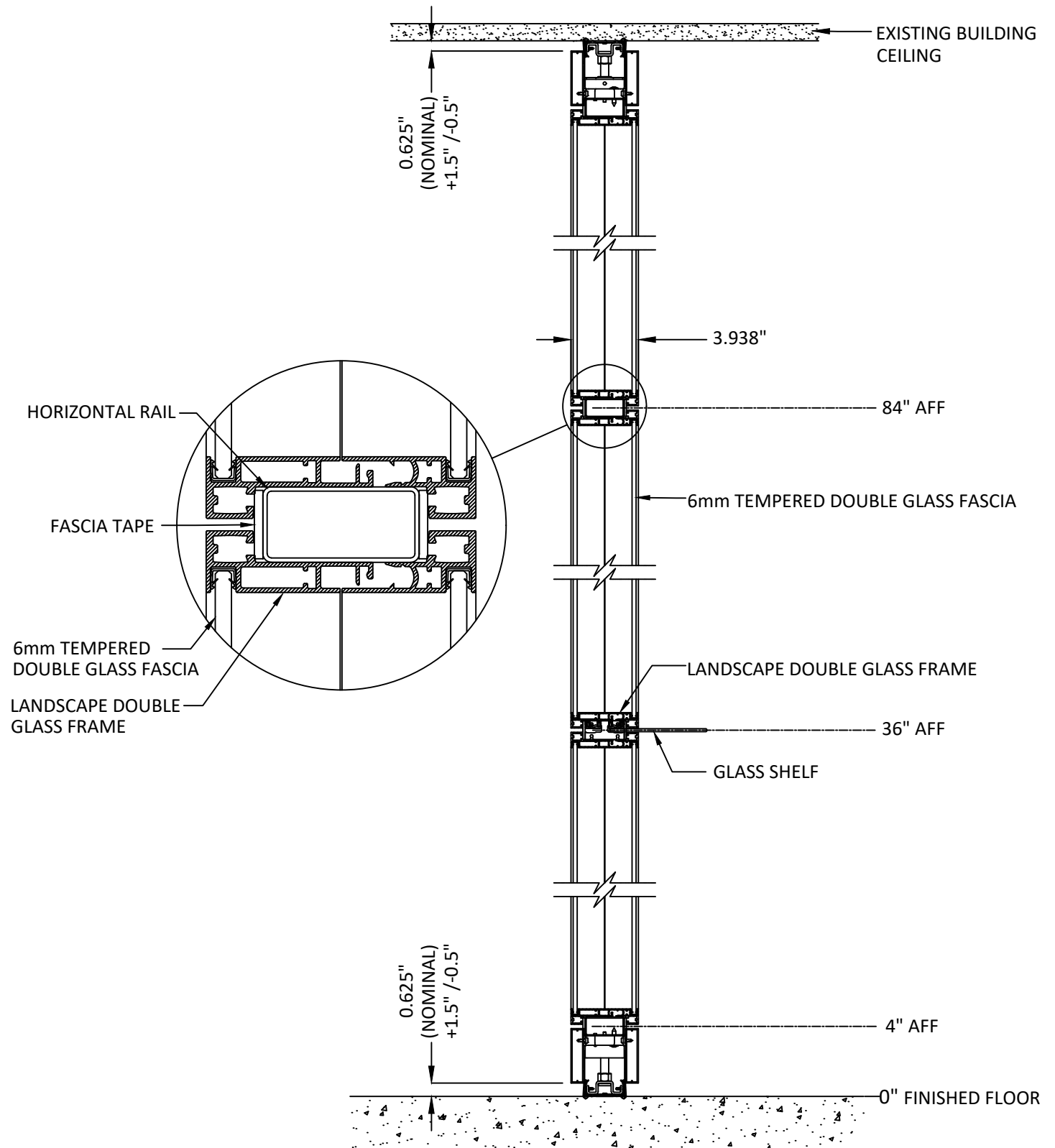
REV00

A07-2

This drawing is the property of Teknion Limited and is subject to return upon demand. It must not be copied or reproduced in any manner, nor submitted to any outside parties for examination without Teknion consent. This drawing must not be scaled, or used for construction purposes.

www.teknion.com **teknion**





**1** DOUBLE GLASS - STANDARD WORKING WALL WITH BASE AND CEILING FASCIAS

FASCIAS

1'-0"=1'-0"

ALTOS DETAILING PACKAGE

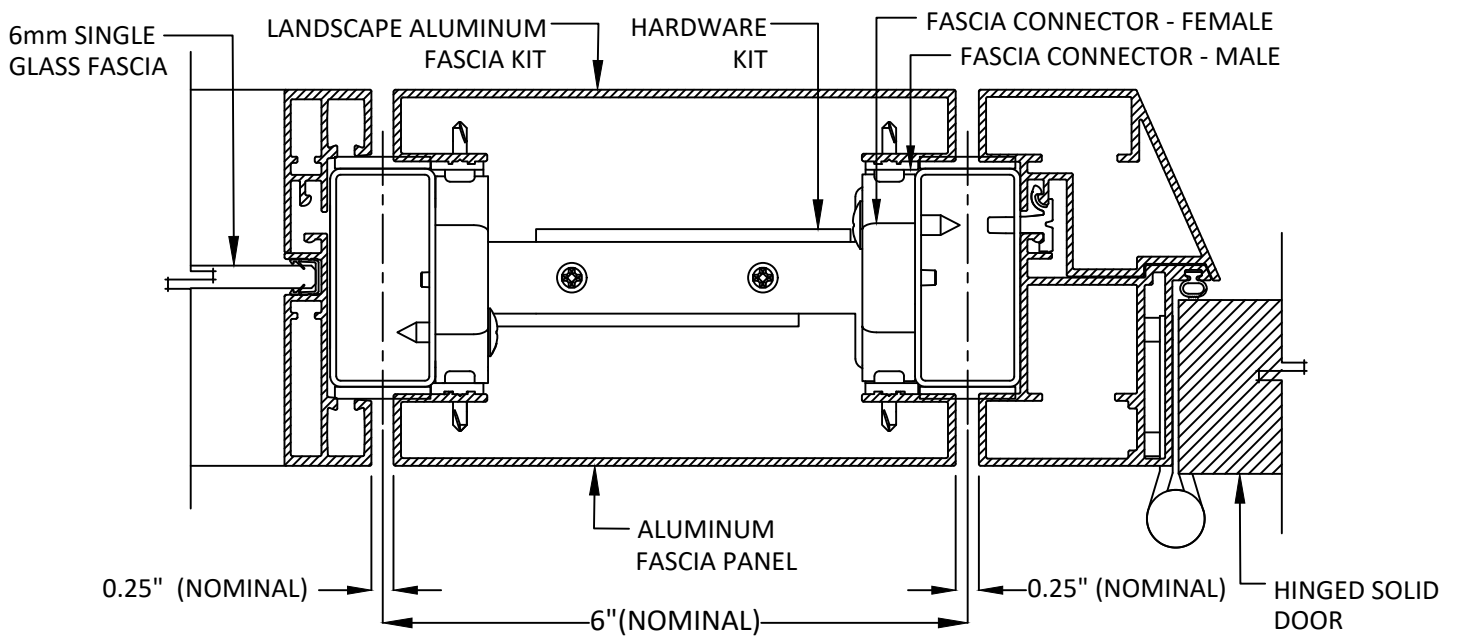
MAR 01, 2024

REV00

A08

This drawing is the property of Teknion Limited and is subject to return upon demand. It must not be copied or reproduced in any manner, nor submitted to any outside parties for examination without Teknion consent. This drawing must not be scaled, or used for construction purposes.

www.teknion.com **teknion**



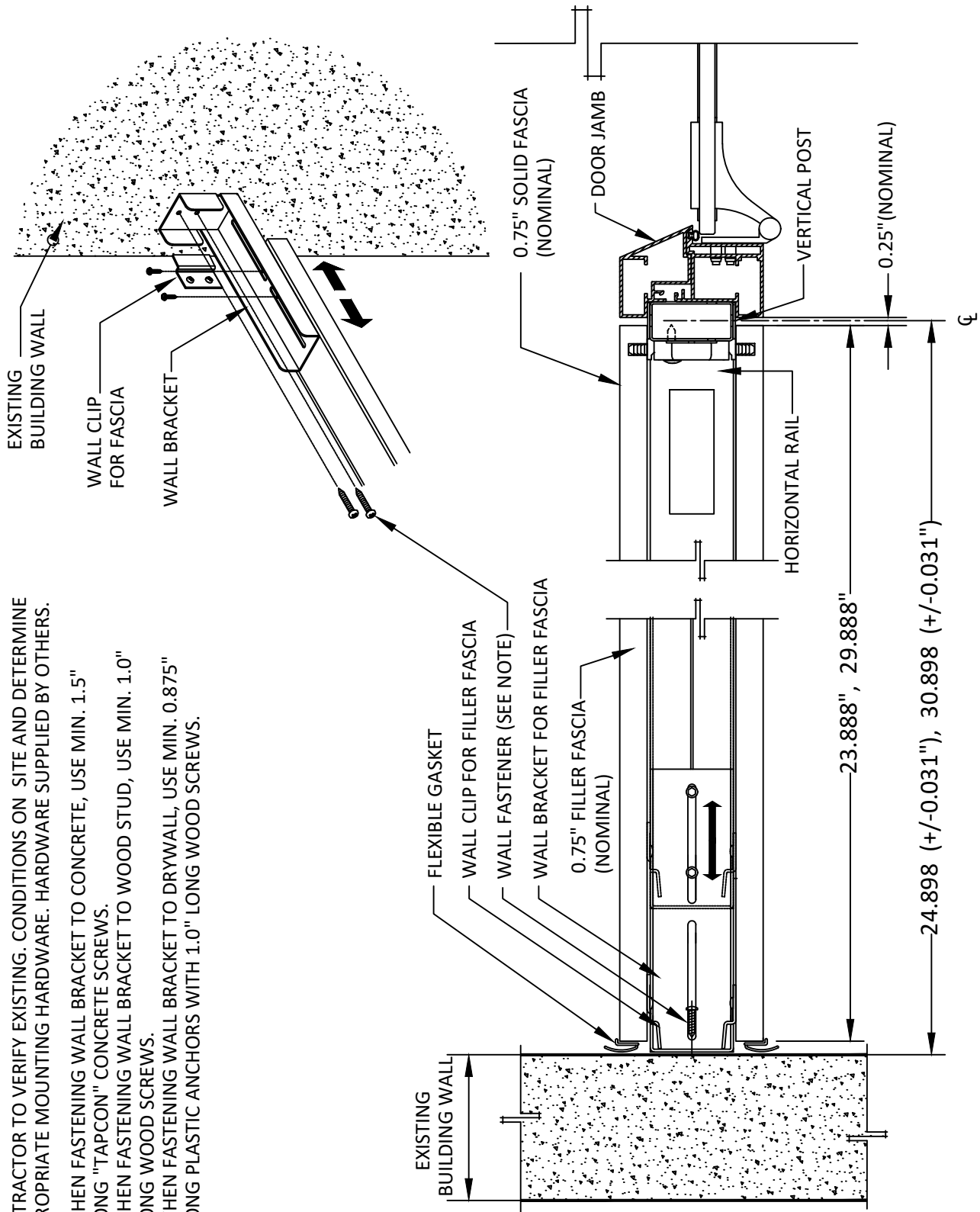
1 LANDSCAPE ALUMINIUM FASCIA KIT

This drawing is the property of Teknion Limited and is subject to return upon demand. It must not be copied or reproduced in any manner, nor submitted to any outside parties for examination without Teknion consent. This drawing must not be scaled, or used for construction purposes.

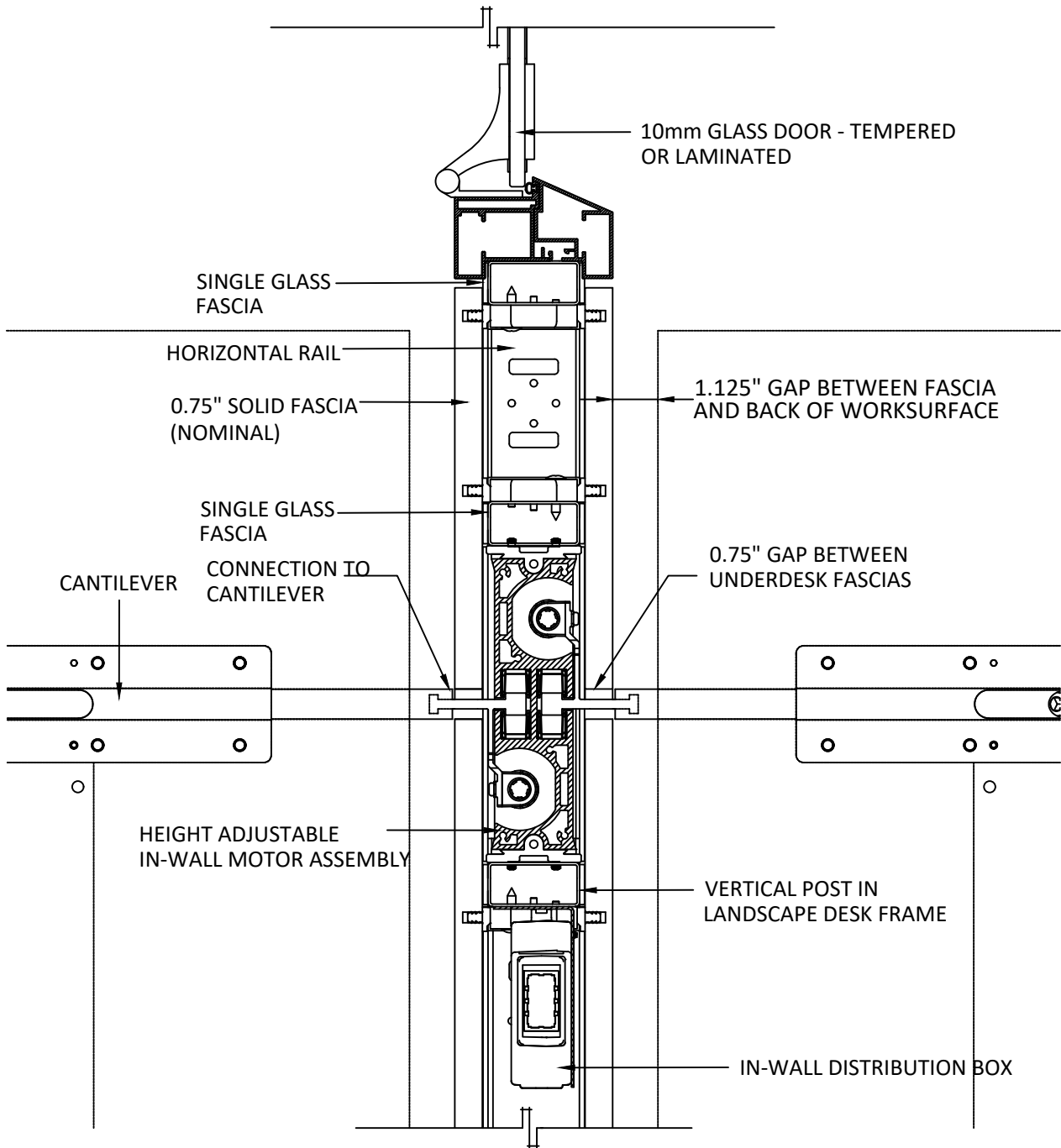
NOTE:

CONTRACTOR TO VERIFY EXISTING CONDITIONS ON SITE AND DETERMINE APPROPRIATE MOUNTING HARDWARE. HARDWARE SUPPLIED BY OTHERS.

1. WHEN FASTENING WALL BRACKET TO CONCRETE, USE MIN. 1.5" LONG "TAPCON" CONCRETE SCREWS.
2. WHEN FASTENING WALL BRACKET TO WOOD STUD, USE MIN. 1.0" LONG WOOD SCREWS.
3. WHEN FASTENING WALL BRACKET TO DRYWALL, USE MIN. 0.875" LONG PLASTIC ANCHORS WITH 1.0" LONG WOOD SCREWS.



1 FILLER PANEL AT BUILDING INTEGRATION - HORIZONTAL SECTION



**1 UNDERDESK FASCIAS, CENTERED HEIGHT-ADJUSTABLE  
DESK - HORIZONTAL SECTION**

FASCIAS

1'-0"=1'-0"

ALTOS DETAILING PACKAGE

MAR 01, 2024

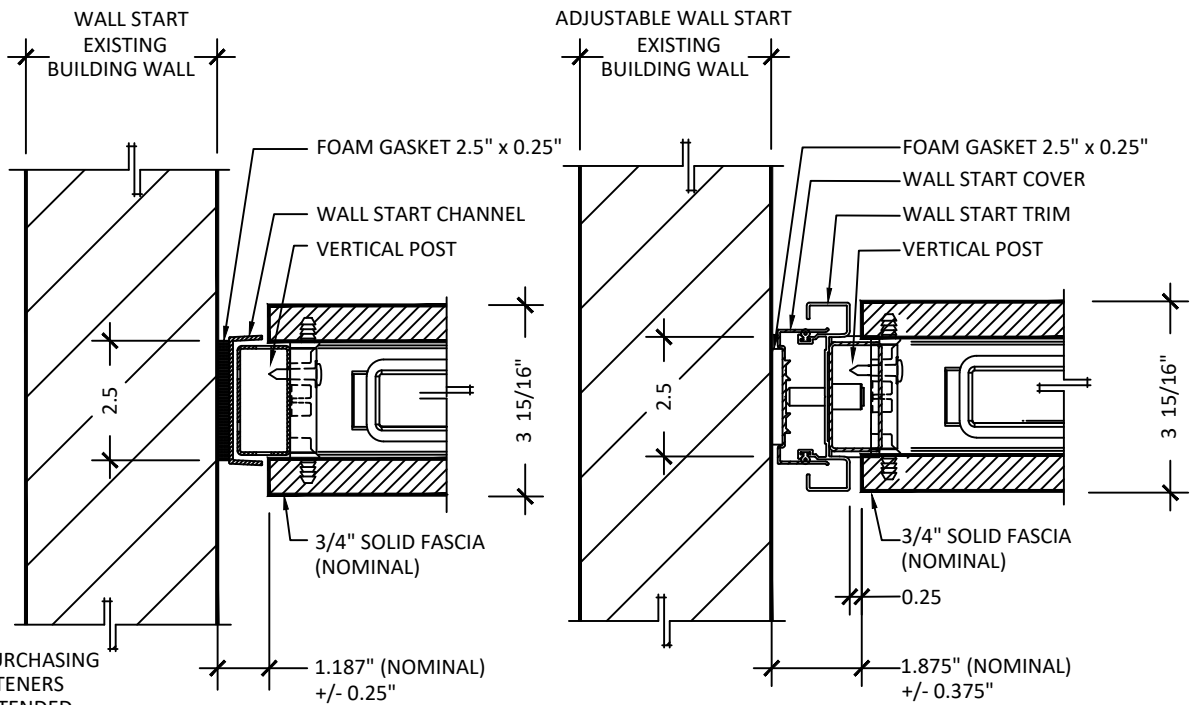
REV00

A11

This drawing is the property of Teknion Limited and is subject to return upon demand. It must not be copied or reproduced in any manner, nor submitted to any outside parties for examination without Teknion consent. This drawing must not be scaled, or used for construction purposes.

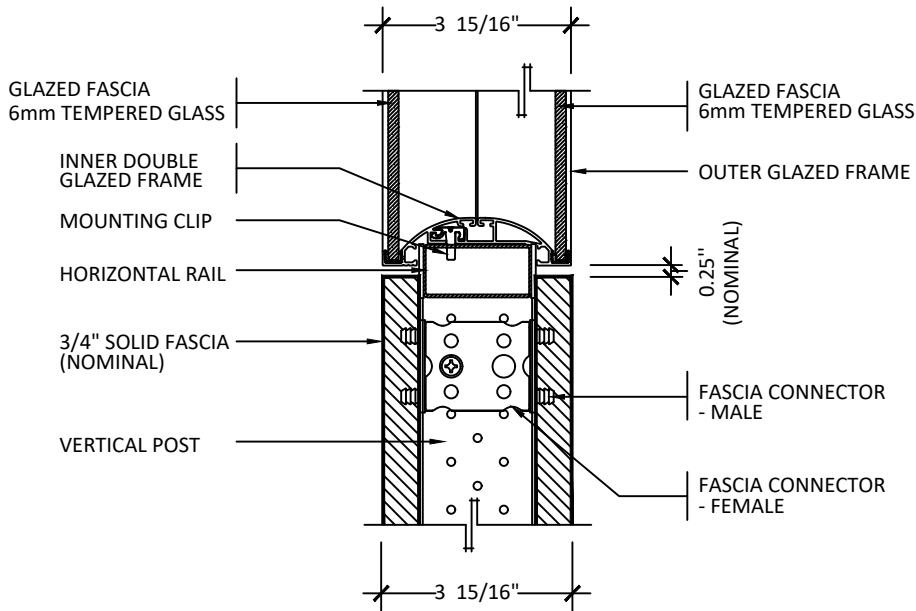
www.teknion.com

**teknion**



NOTE : SELECTION AND PURCHASING OF WALL MOUNTING FASTENERS CAPABLE OF CARRYING INTENDED LOAD AND CONNECTING TO APPROPRIATE WALL TYPE IS THE RESPONSIBILITY OF THE INSTALLER.

**1 SECTION THROUGH SOLID FASCIA AND WALL START OR ADJUSTABLE WALL START**



**2 SECTION THROUGH SOLID AND DOUBLE GLAZED FASCIA**

FASCIAS

1'-0"=1'-0"

ALTOS DETAILING PACKAGE

MAR 01, 2024

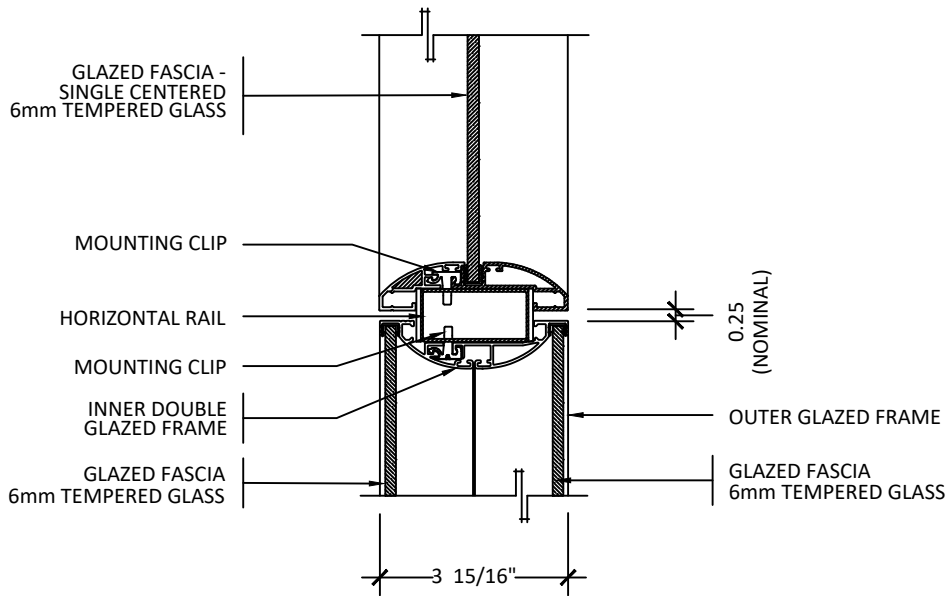
REV02

A12

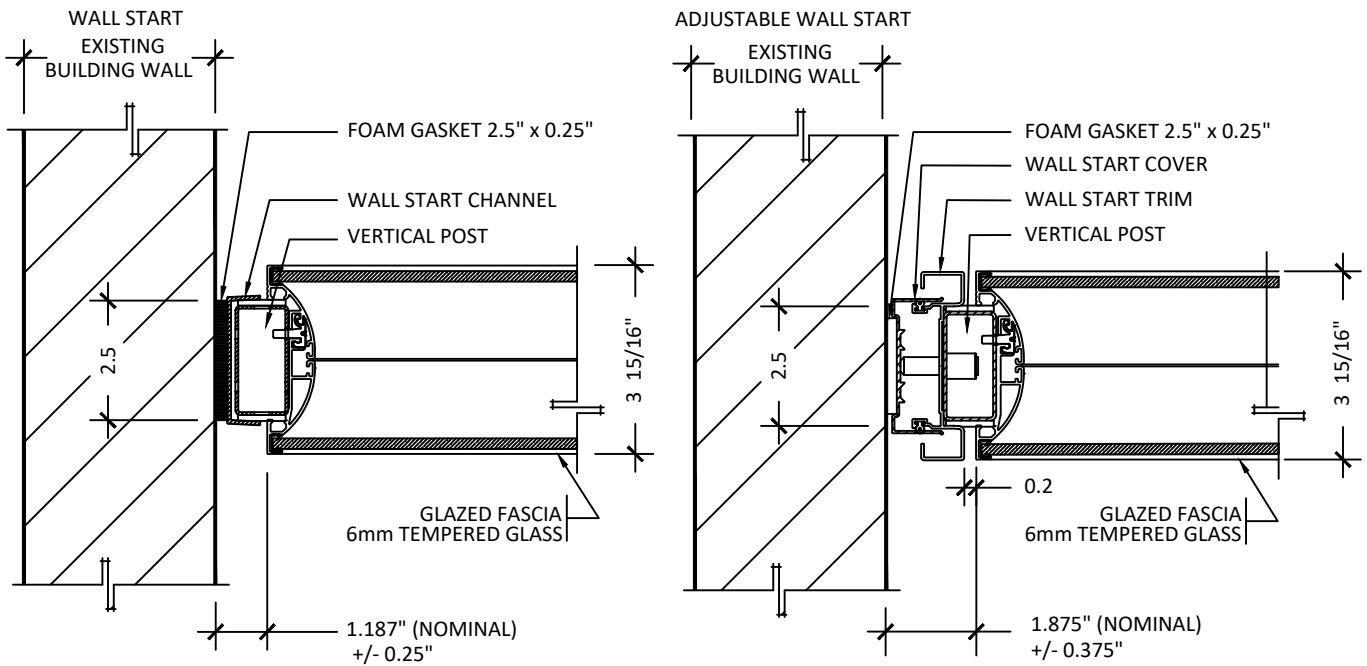
This drawing is the property of Teknion Limited and is subject to return upon demand. It must not be copied or reproduced in any manner, nor submitted to any outside parties for examination without Teknion consent. This drawing must not be scaled, or used for construction purposes..

www.teknion.com

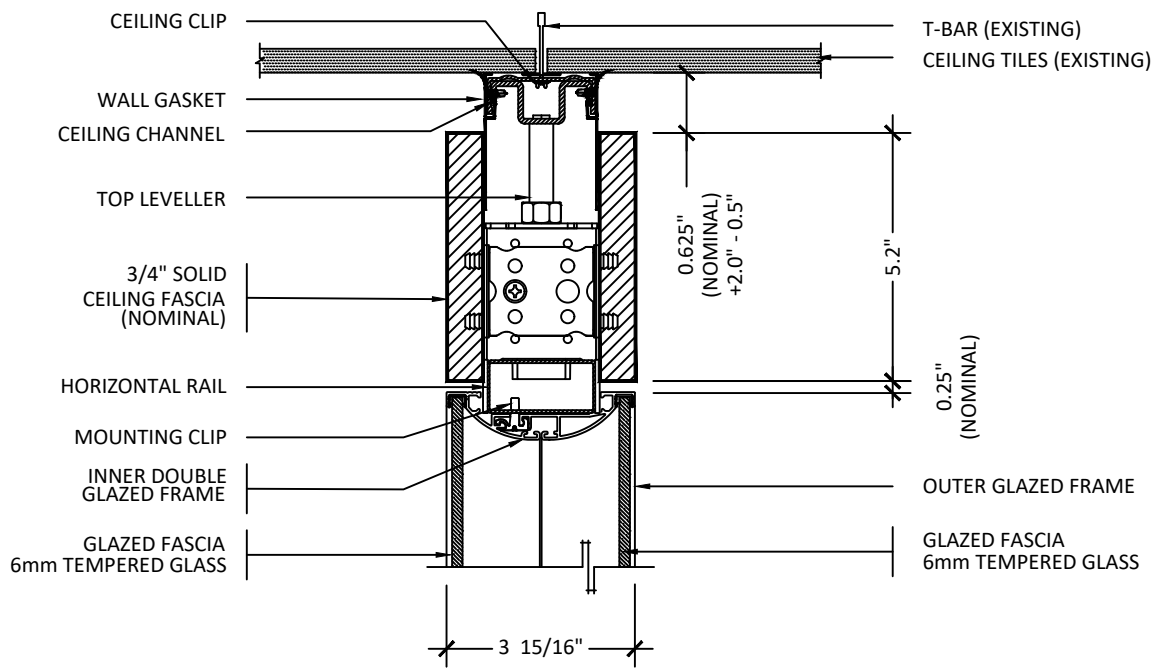
**teknion**



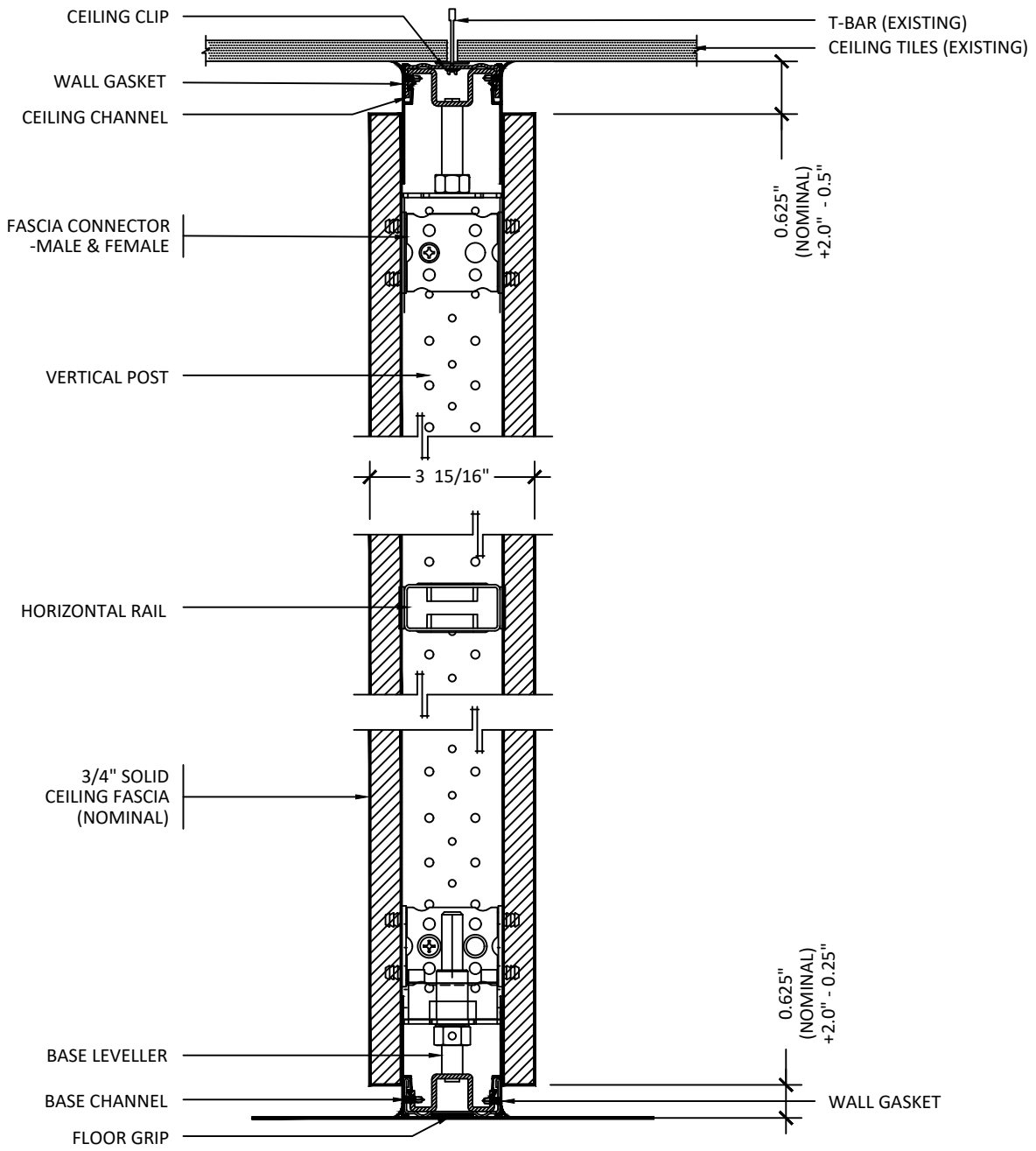
**1 SECTION THROUGH GLAZED FASCIAS - DOUBLE & SINGLE CENTERED**



**2 SECTION THROUGH GLAZED FASCIA AND WALL START OR ADJUSTABLE WALL START**



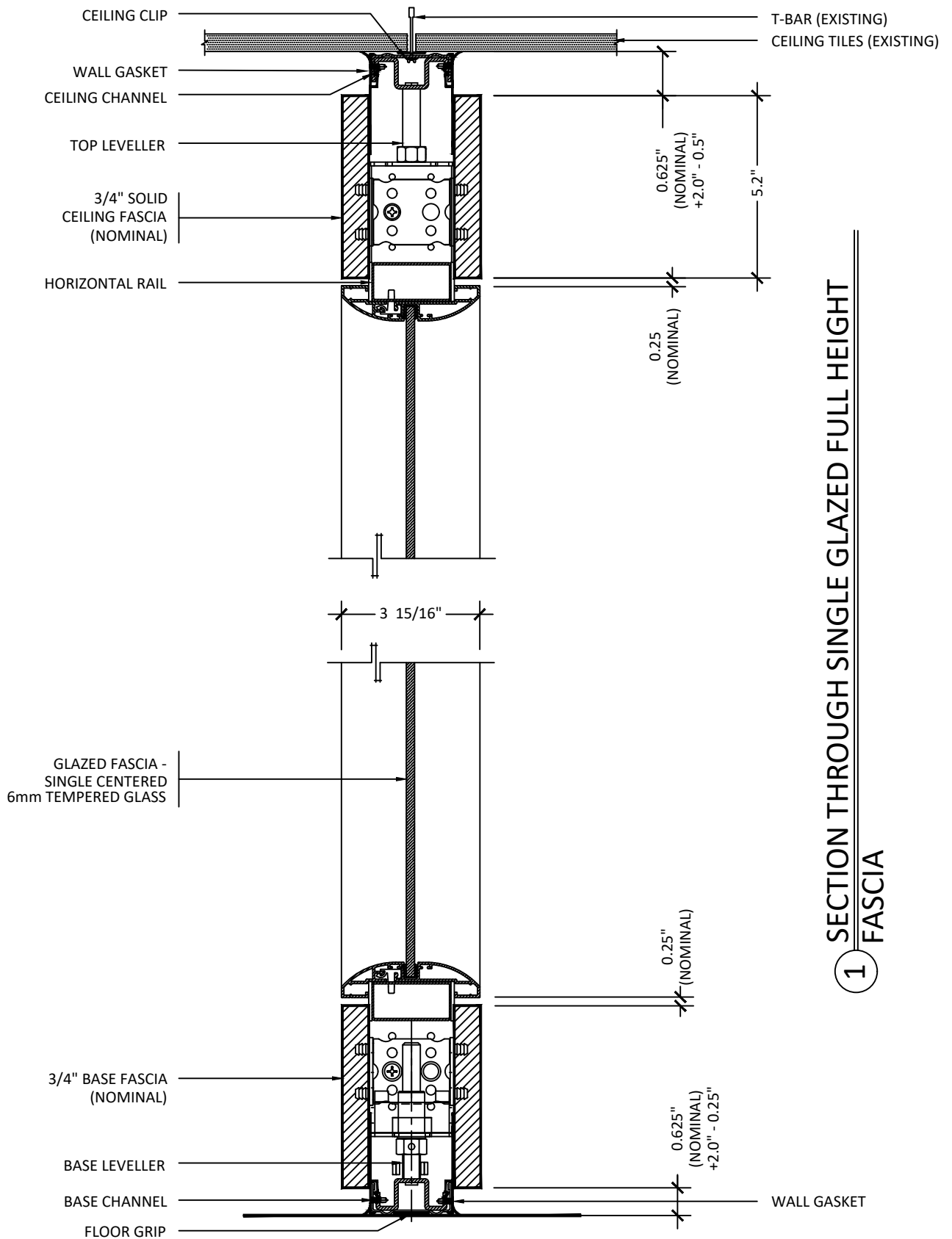
1 SECTION THROUGH DOUBLE GLAZED AND CEILING FASCIA



**1 SECTION THROUGH FULL HEIGHT MONOLITHIC FASCIAS**

This drawing is the property of Teknion Limited and is subject to return upon demand. It must not be copied or reproduced in any manner, nor submitted to any outside parties for examination without Teknion consent. This drawing must not be scaled, or used for construction purposes..





SECTION THROUGH SINGLE GLAZED FULL HEIGHT FASCIA

1 FASCIA

FASCIAS

1'-0"=1'-0"

ALTOS DETAILING PACKAGE

MAR 01, 2024

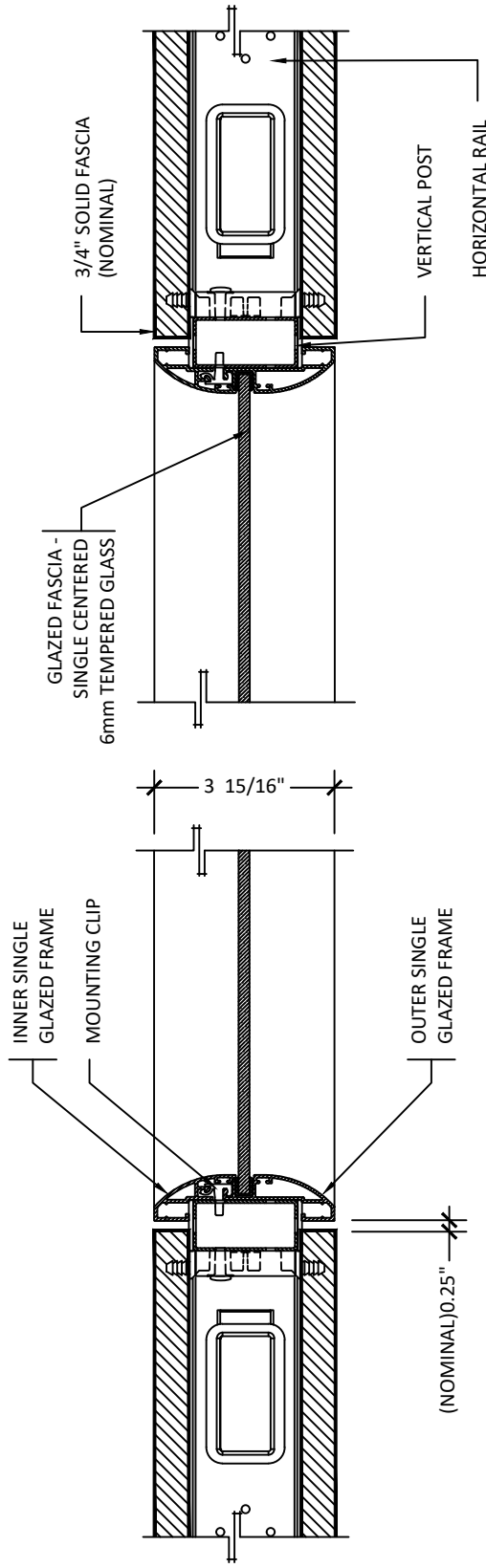
REV02

A16

This drawing is the property of Teknion Limited and is subject to return upon demand. It must not be copied or reproduced in any manner, nor submitted to any outside parties for examination without Teknion consent. This drawing must not be scaled, or used for construction purposes..

www.teknion.com

teknion



1 HORIZONTAL SECTION THROUGH SINGLE GLAZED FASCIA

FASCIAS

1'-0"=1'-0"

ALTOS DETAILING PACKAGE

MAR 01, 2024

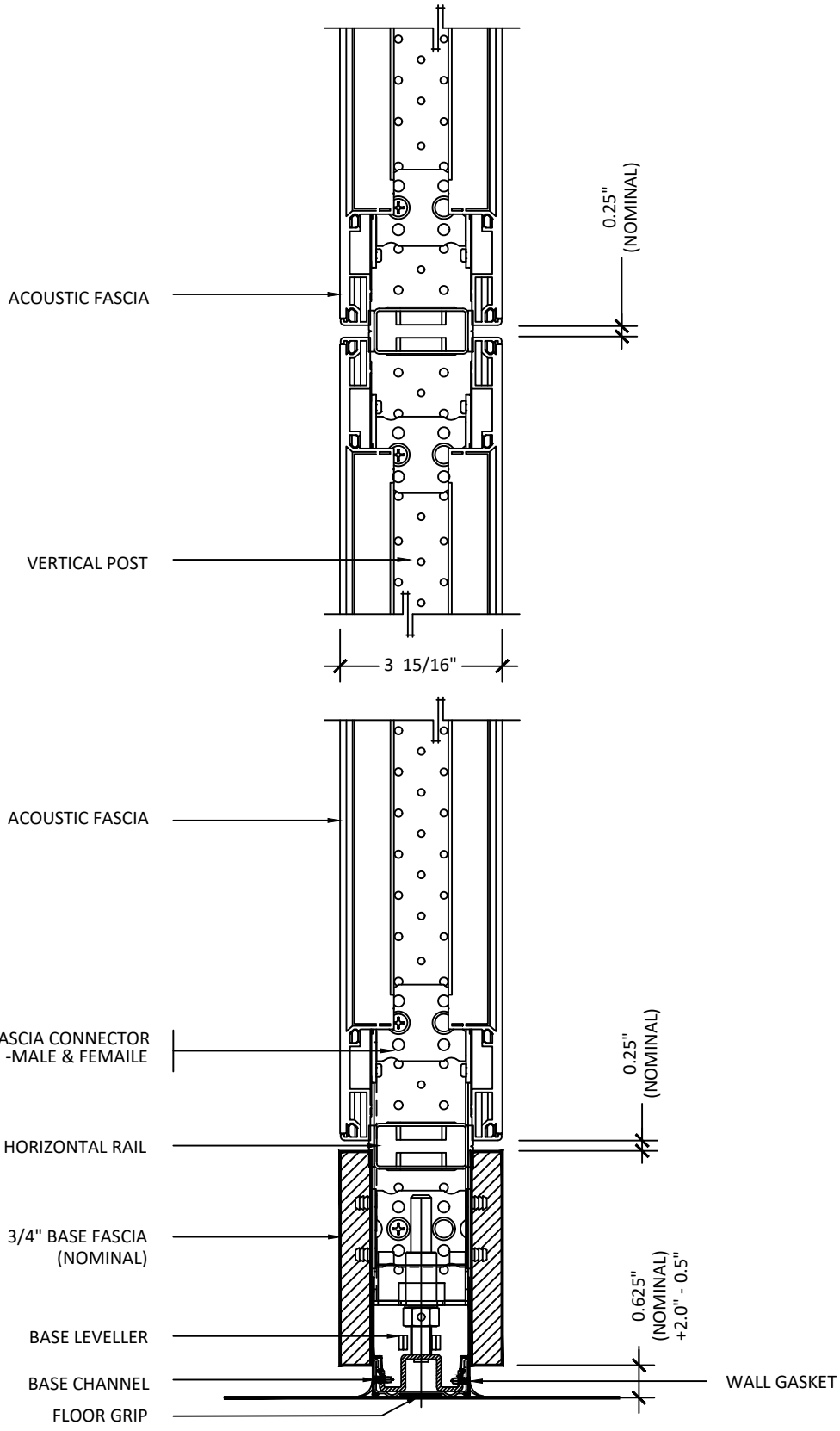
REV02

A17

This drawing is the property of Teknion Limited and is subject to return upon demand. It must not be copied or reproduced in any manner, nor submitted to any outside parties for examination without Teknion consent. This drawing must not be scaled, or used for construction purposes..

www.teknion.com





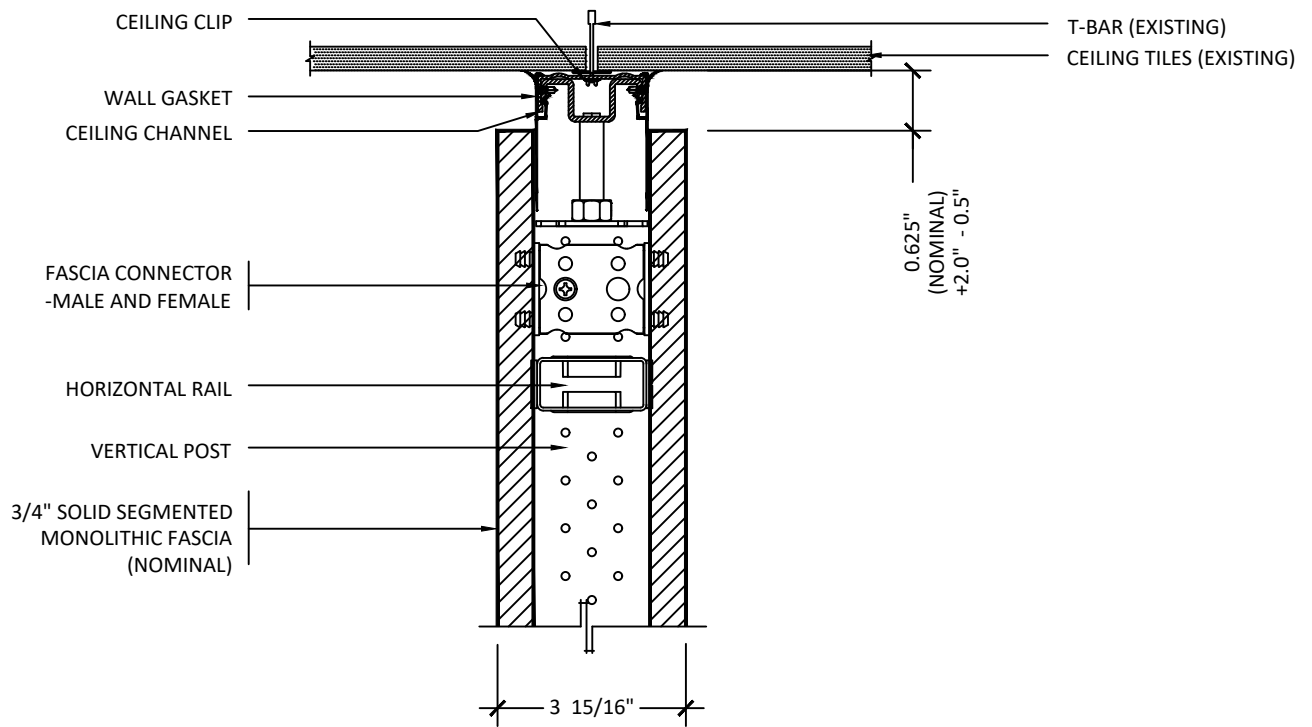
SECTION THROUGH ACOUSTIC FASCIAS

1

FASCIAS 1'-0"=1'-0"

ALTOS DETAILING PACKAGE MAR 01, 2024 REV02 A18

This drawing is the property of Teknion Limited and is subject to return upon demand. It must not be copied or reproduced in any manner, nor submitted to any outside parties for examination without Teknion consent. This drawing must not be scaled, or used for construction purposes..



**1** SECTION THROUGH TYPICAL CEILING CONNECTION  
 AND SEGMENTED MONOLITHIC FASCIAS

FASCIAS

1'-0"=1'-0"

ALTOS DETAILING PACKAGE

MAR 01, 2024

REV02

A19

This drawing is the property of Teknion Limited and is subject to return upon demand. It must not be copied or reproduced in any manner, nor submitted to any outside parties for examination without Teknion consent. This drawing must not be scaled, or used for construction purposes..

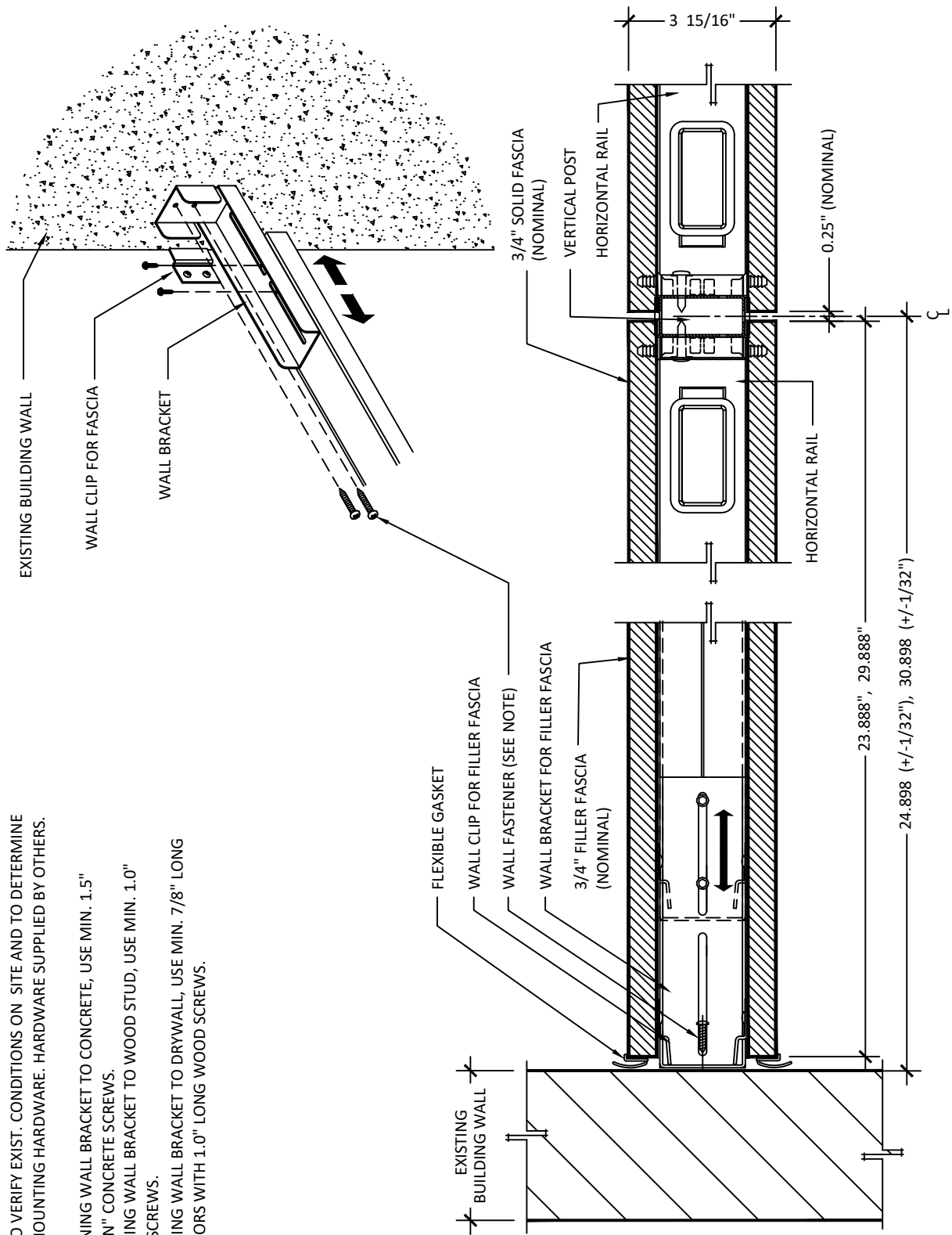
www.teknion.com

**teknion**

NOTE:

CONTRACTOR TO VERIFY EXIST. CONDITIONS ON SITE AND TO DETERMINE APPROPRIATE MOUNTING HARDWARE. HARDWARE SUPPLIED BY OTHERS.

1. WHEN FASTENING WALL BRACKET TO CONCRETE, USE MIN. 1.5" LONG "TAPCON" CONCRETE SCREWS.
2. WHEN FASTENING WALL BRACKET TO WOOD STUD, USE MIN. 1.0" LONG WOOD SCREWS.
3. WHEN FASTENING WALL BRACKET TO DRYWALL, USE MIN. 7/8" LONG PLASTIC ANCHORS WITH 1.0" LONG WOOD SCREWS.



SECTION THROUGH FILLER PANEL

1

FASCIAS

1'-0"=1'-0"

ALTOS DETAILING PACKAGE

MAR 01, 2024

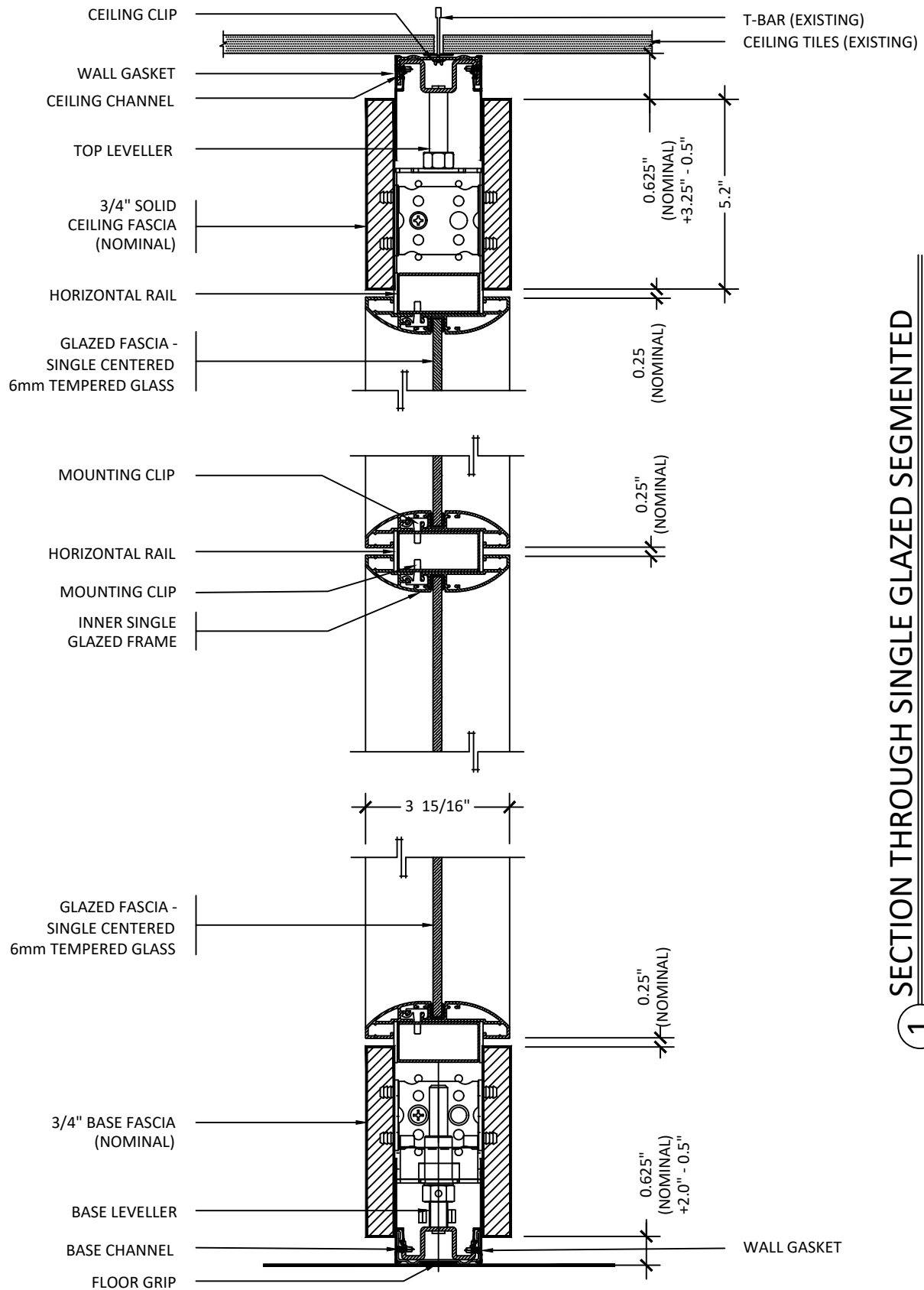
REV02

A20

This drawing is the property of Teknion Limited and is subject to return upon demand. It must not be copied or reproduced in any manner, nor submitted to any outside parties for examination without Teknion consent. This drawing must not be scaled, or used for construction purposes..

www.teknion.com

teknion



**SECTION THROUGH SINGLE GLAZED SEGMENTED FASCIAS**

FASCIAS

1'-0"=1'-0"

ALTOS DETAILING PACKAGE

MAR 01, 2024

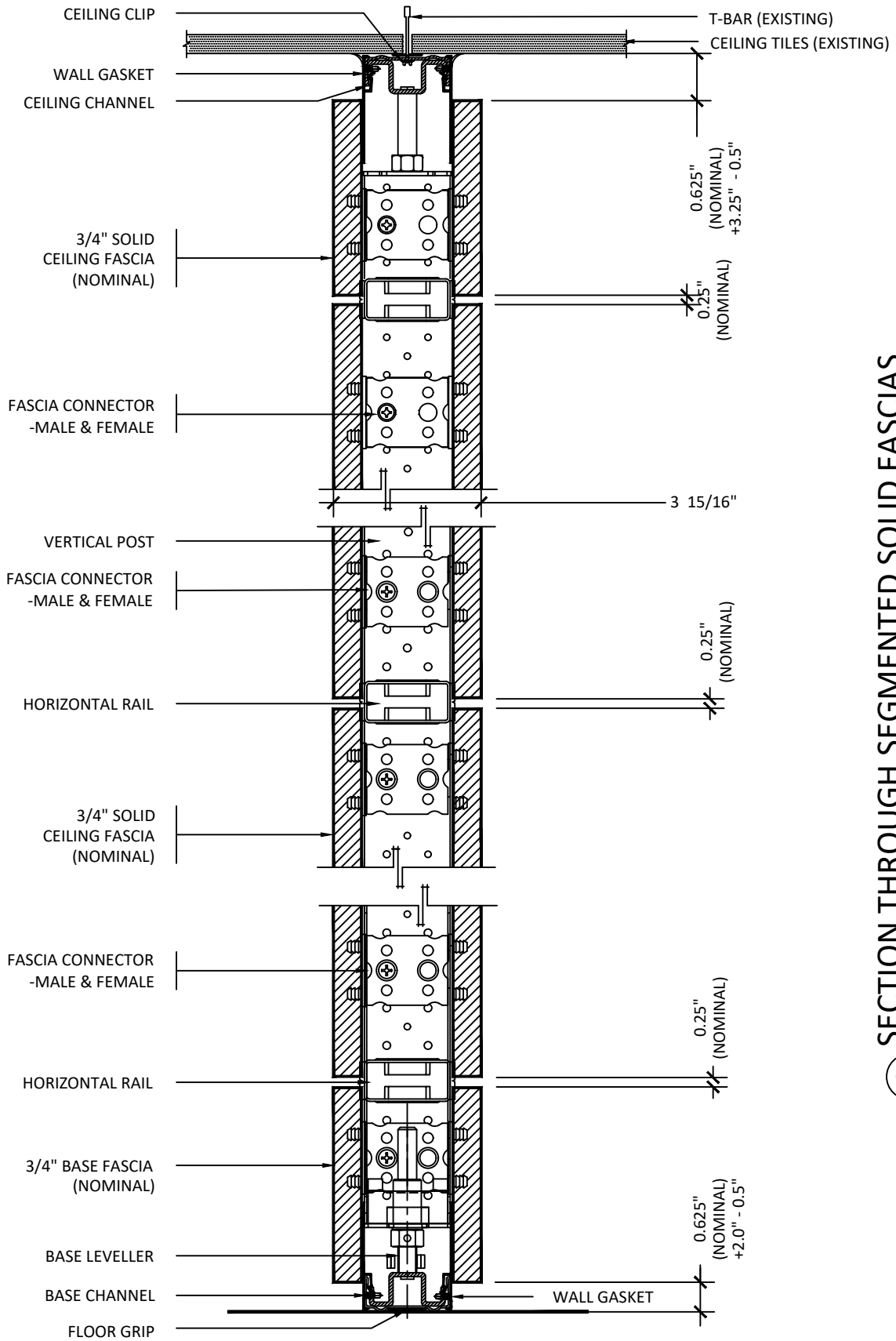
REV02

A21

This drawing is the property of Teknion Limited and is subject to return upon demand. It must not be copied or reproduced in any manner, nor submitted to any outside parties for examination without Teknion consent. This drawing must not be scaled, or used for construction purposes..

www.teknion.com

**teknion**



SECTION THROUGH SEGMENTED SOLID FASCIAS

1

FASCIAS

1'-0"=1'-0"

ALTOS DETAILING PACKAGE

MAR 01, 2024

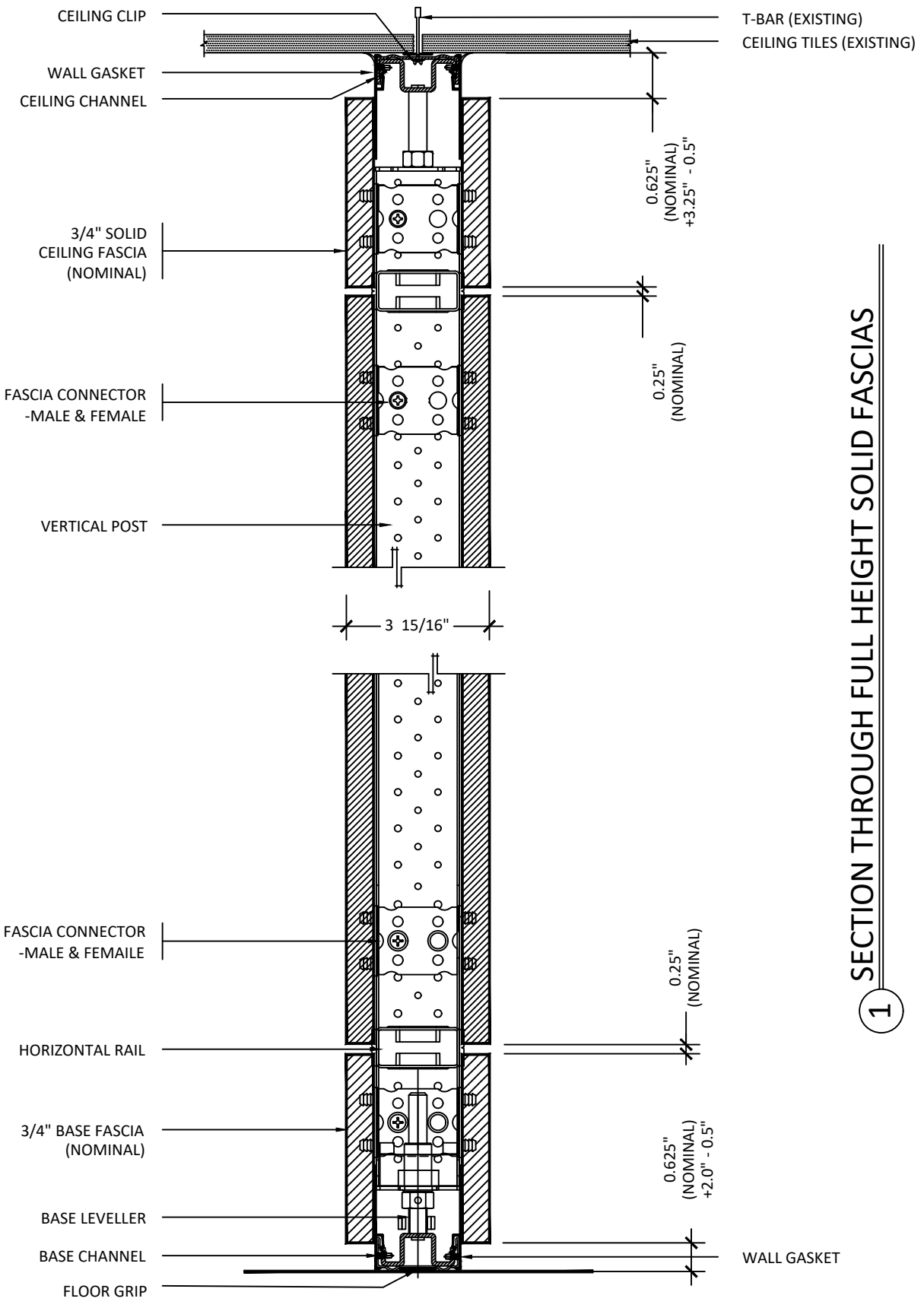
REV02

A22

This drawing is the property of Teknion Limited and is subject to return upon demand. It must not be copied or reproduced in any manner, nor submitted to any outside parties for examination without Teknion consent. This drawing must not be scaled, or used for construction purposes..

www.teknion.com

teknion



SECTION THROUGH FULL HEIGHT SOLID FASCIAS

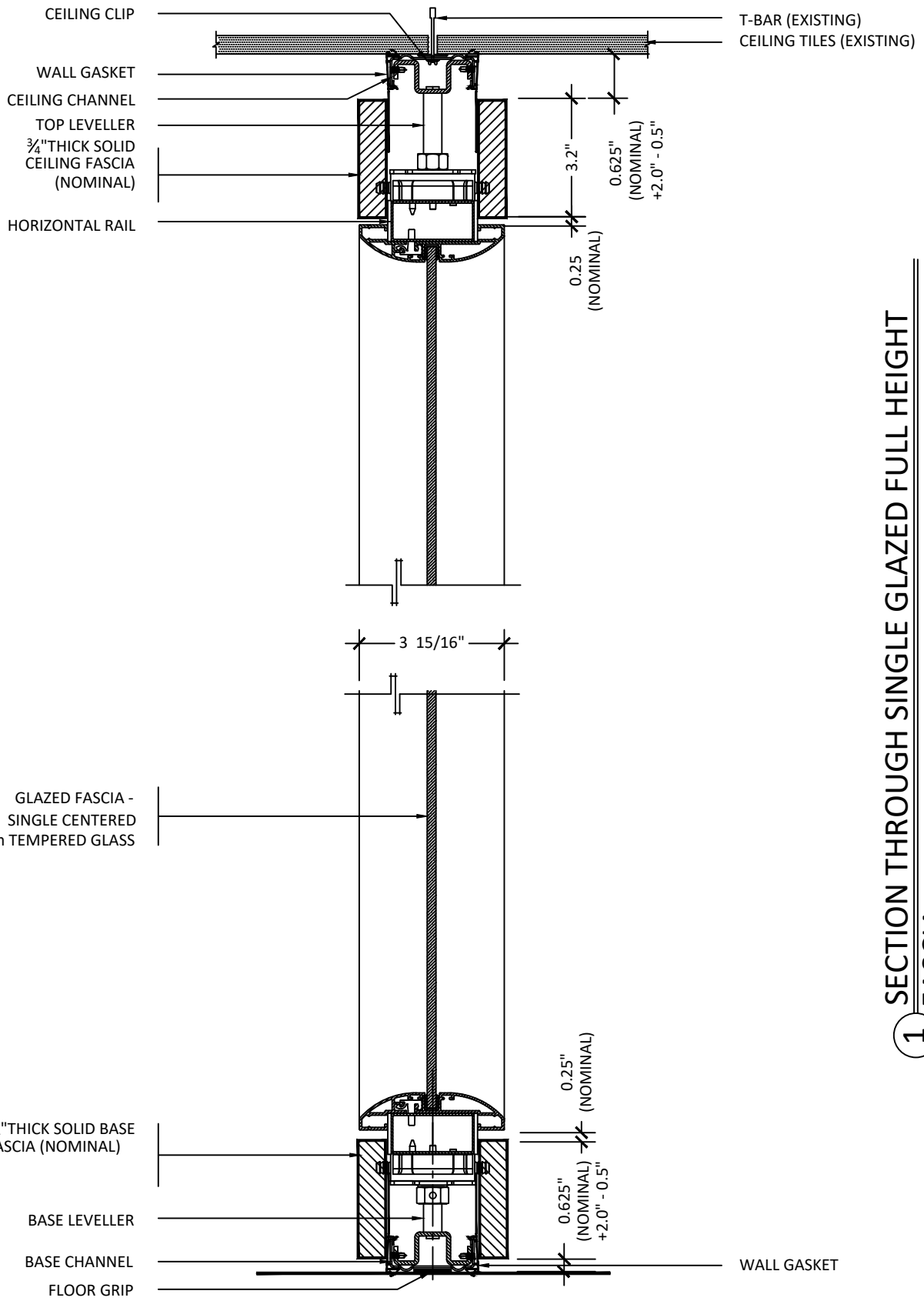
1

FASCIAS 1'-0"=1'-0"

ALTOS DETAILING PACKAGE MAR 01, 2024 REV02 A23

This drawing is the property of Teknion Limited and is subject to return upon demand. It must not be copied or reproduced in any manner, nor submitted to any outside parties for examination without Teknion consent. This drawing must not be scaled, or used for construction purposes..





**SECTION THROUGH SINGLE GLAZED FULL HEIGHT FASCIA**  
**1**

FASCIAS

1'-0"=1'-0"

ALTOS DETAILING PACKAGE

MAR 01, 2024

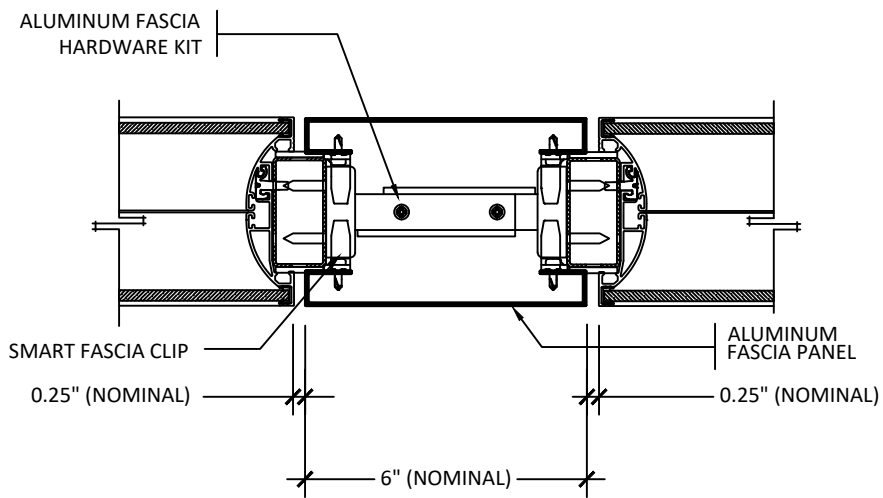
REV02

A24

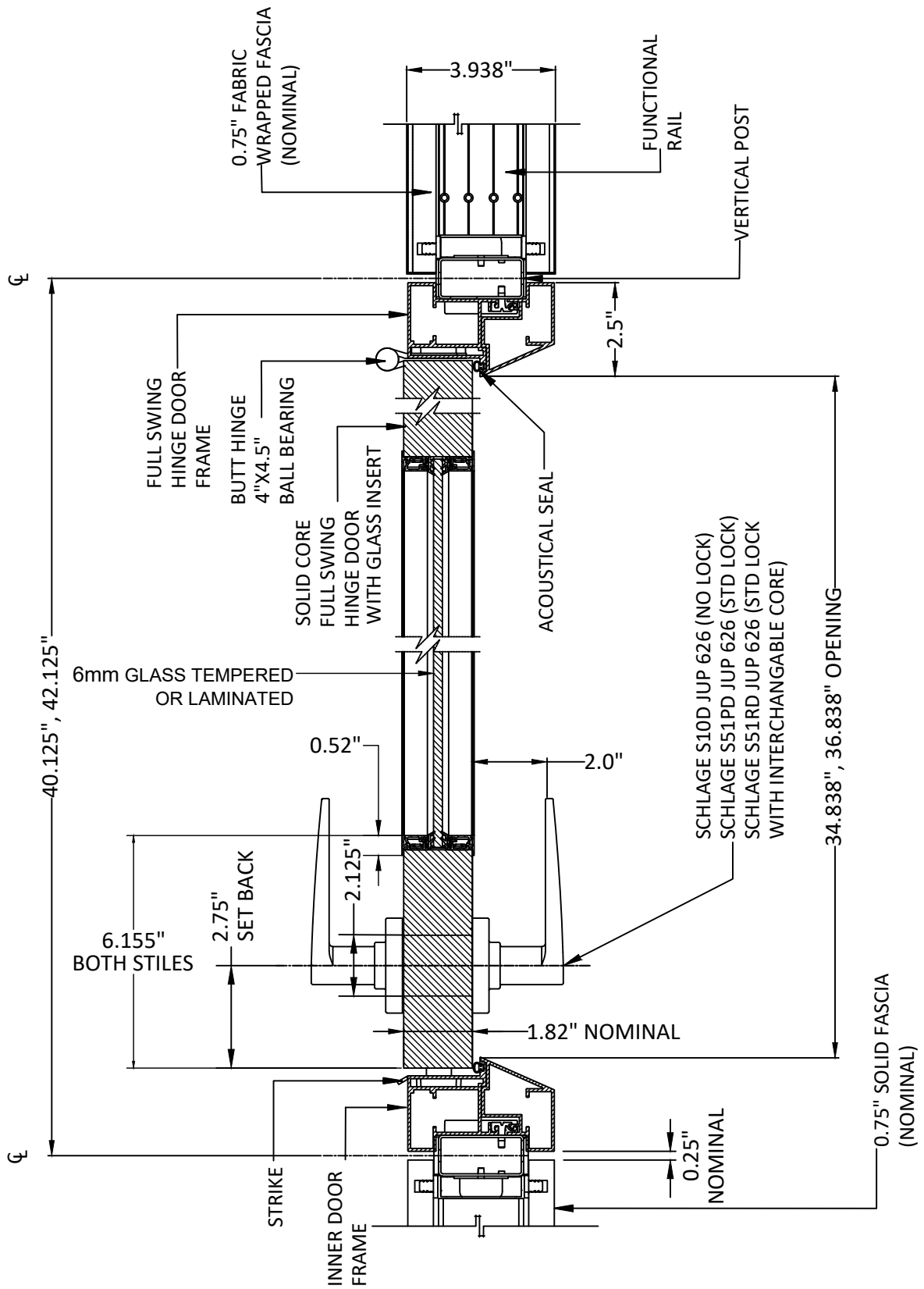
This drawing is the property of Teknion Limited and is subject to return upon demand. It must not be copied or reproduced in any manner, nor submitted to any outside parties for examination without Teknion consent. This drawing must not be scaled, or used for construction purposes..

www.teknion.com

**teknion**



1 SECTION THROUGH ALUMINIUM FASCIA KIT



**1 HINGED DOOR AND FRAME - HORIZONTAL SECTION**

DOOR PACKAGES

1'-0"=1'-0"

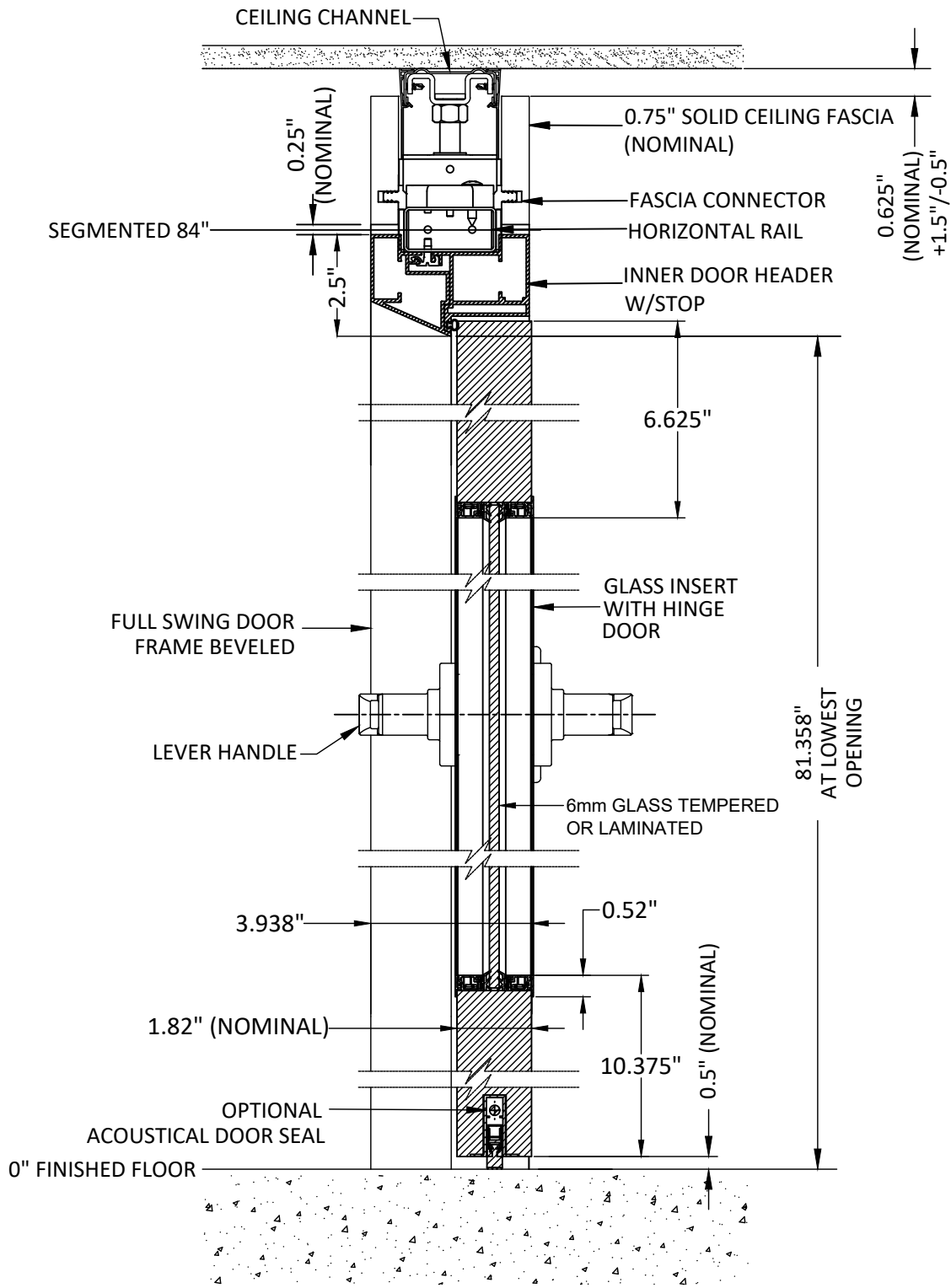
ALTOS DETAILING PACKAGE

MAR 01, 2024

REV01

B01

This drawing is the property of Teknion Limited and is subject to return upon demand. It must not be copied or reproduced in any manner, nor submitted to any outside parties for examination without Teknion consent. This drawing must not be scaled, or used for construction purposes.



**1 HINGED DOOR AND FRAME - VERTICAL SECTION**

DOOR PACKAGES

1'-0"=1'-0"

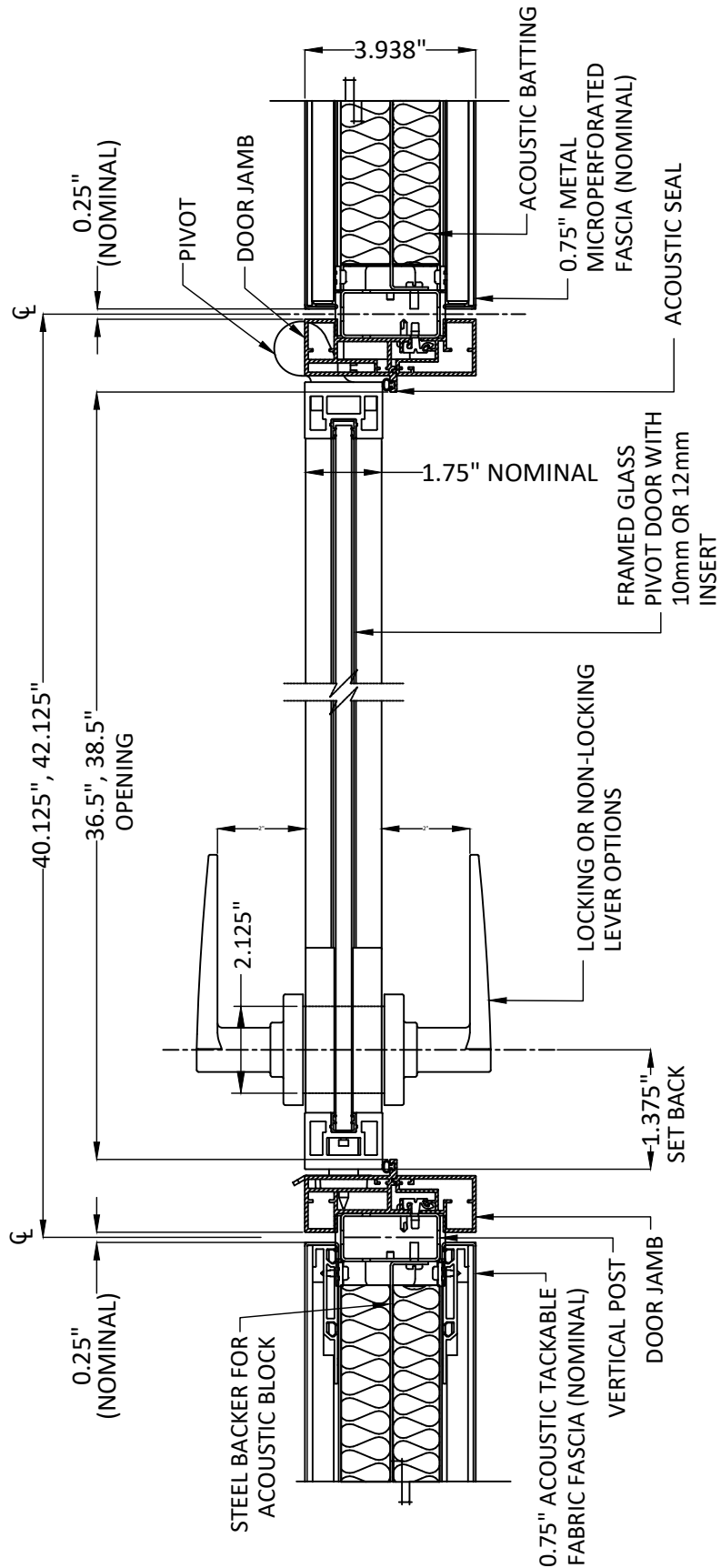
ALTOS DETAILING PACKAGE

MAR 01, 2024

REV01

B02

This drawing is the property of Teknion Limited and is subject to return upon demand. It must not be copied or reproduced in any manner, nor submitted to any outside parties for examination without Teknion consent. This drawing must not be scaled, or used for construction purposes.



1 FRAMED GLASS PIVOT DOOR AND FRAME - HORIZONTAL SECTION

DOOR PACKAGES

1'-0"=1'-0"

ALTOS DETAILING PACKAGE

MAR 01, 2024

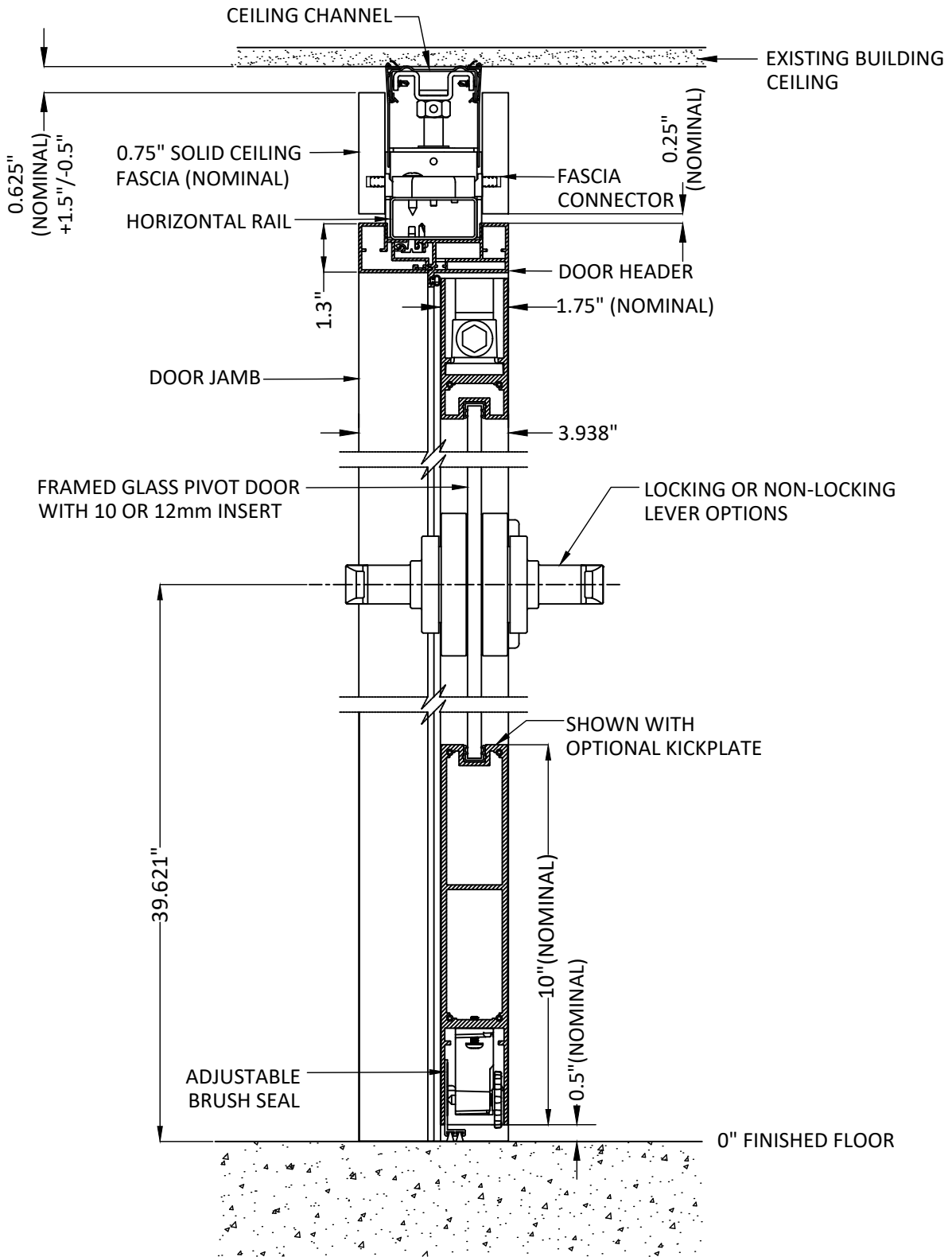
REV00

B05

This drawing is the property of Teknion Limited and is subject to return upon demand. It must not be copied or reproduced in any manner, nor submitted to any outside parties for examination without Teknion consent. This drawing must not be scaled, or used for construction purposes.

www.teknion.com

teknion



**1** FRAMED GLASS PIVOT DOOR AND FRAME - VERTICAL SECTION

DOOR PACKAGES

1'-0"=1'-0"

ALTOS DETAILING PACKAGE

MAR 01, 2024

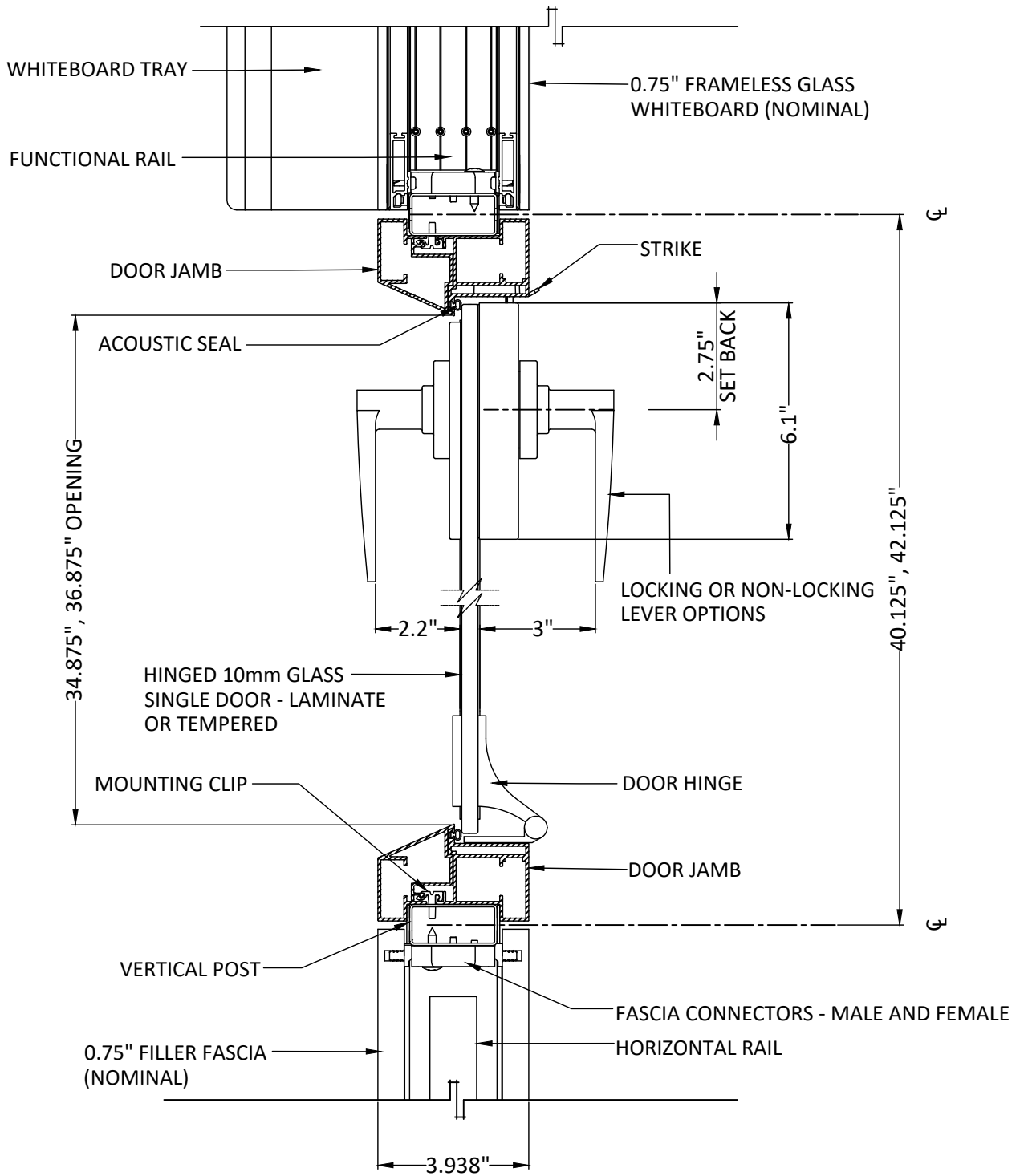
REV00

B06

This drawing is the property of Teknion Limited and is subject to return upon demand. It must not be copied or reproduced in any manner, nor submitted to any outside parties for examination without Teknion consent. This drawing must not be scaled, or used for construction purposes.

www.teknion.com

**teknion**



**1 HINGED GLASS DOOR AND FRAME - HORIZONTAL SECTION**

DOOR PACKAGES

1'-0"=1'-0"

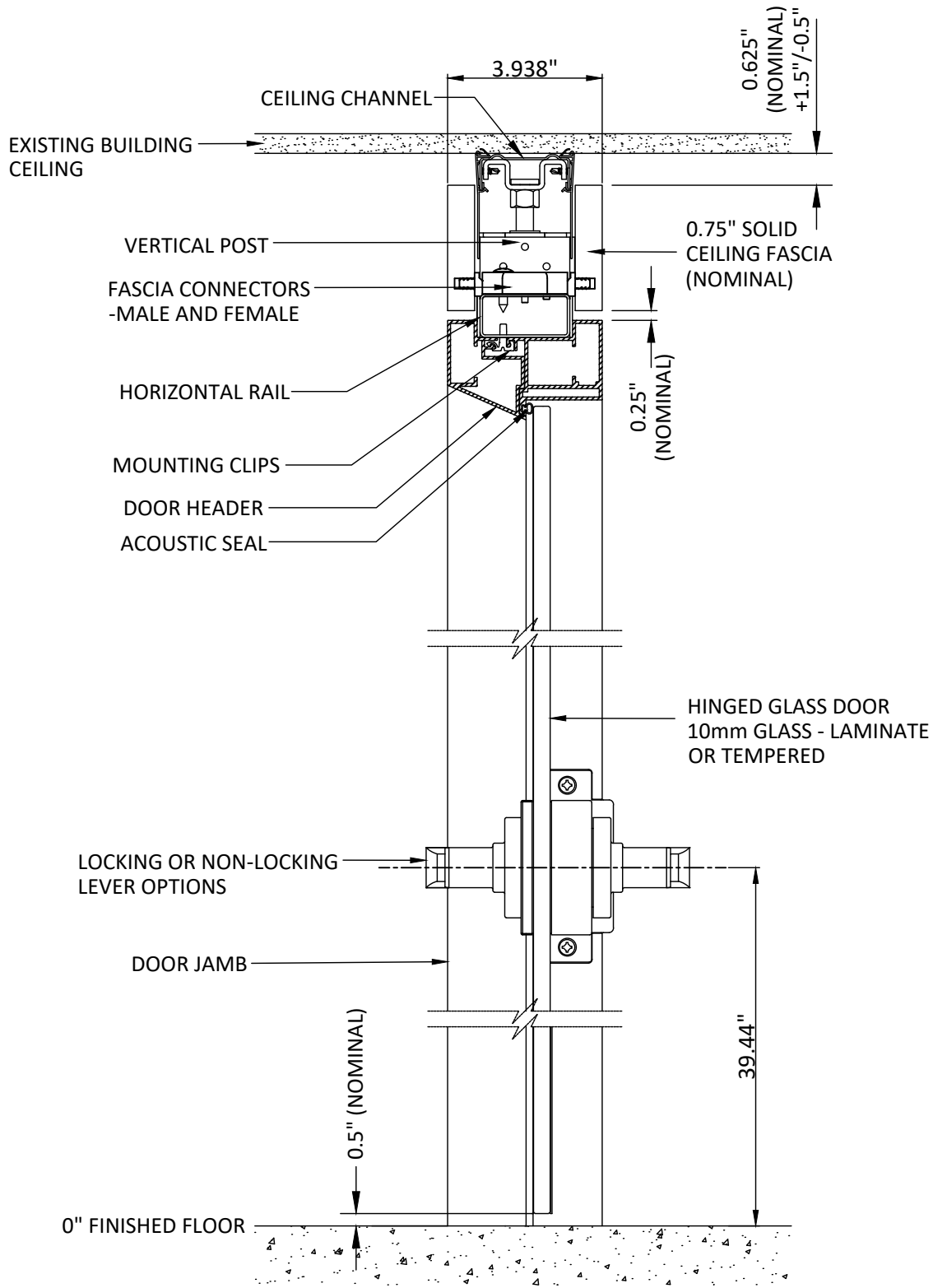
ALTOS DETAILING PACKAGE

MAR 01, 2024

REV00

B07

This drawing is the property of Teknion Limited and is subject to return upon demand. It must not be copied or reproduced in any manner, nor submitted to any outside parties for examination without Teknion consent. This drawing must not be scaled, or used for construction purposes.



**1** HINGED GLASS DOOR AND FRAME - VERTICAL SECTION

DOOR PACKAGES

1'-0"=1'-0"

ALTOS DETAILING PACKAGE

MAR 01, 2024

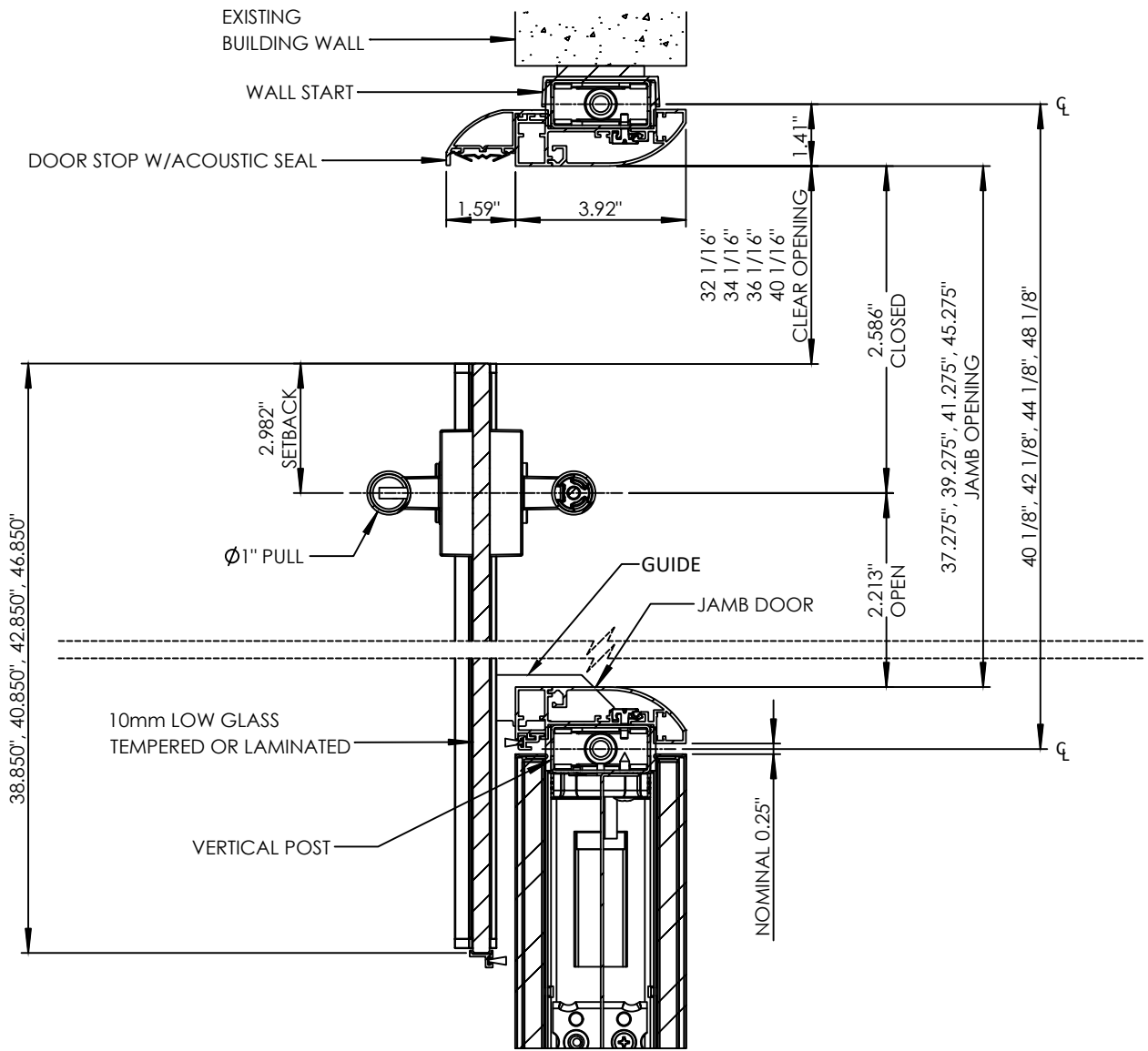
REV00

B08

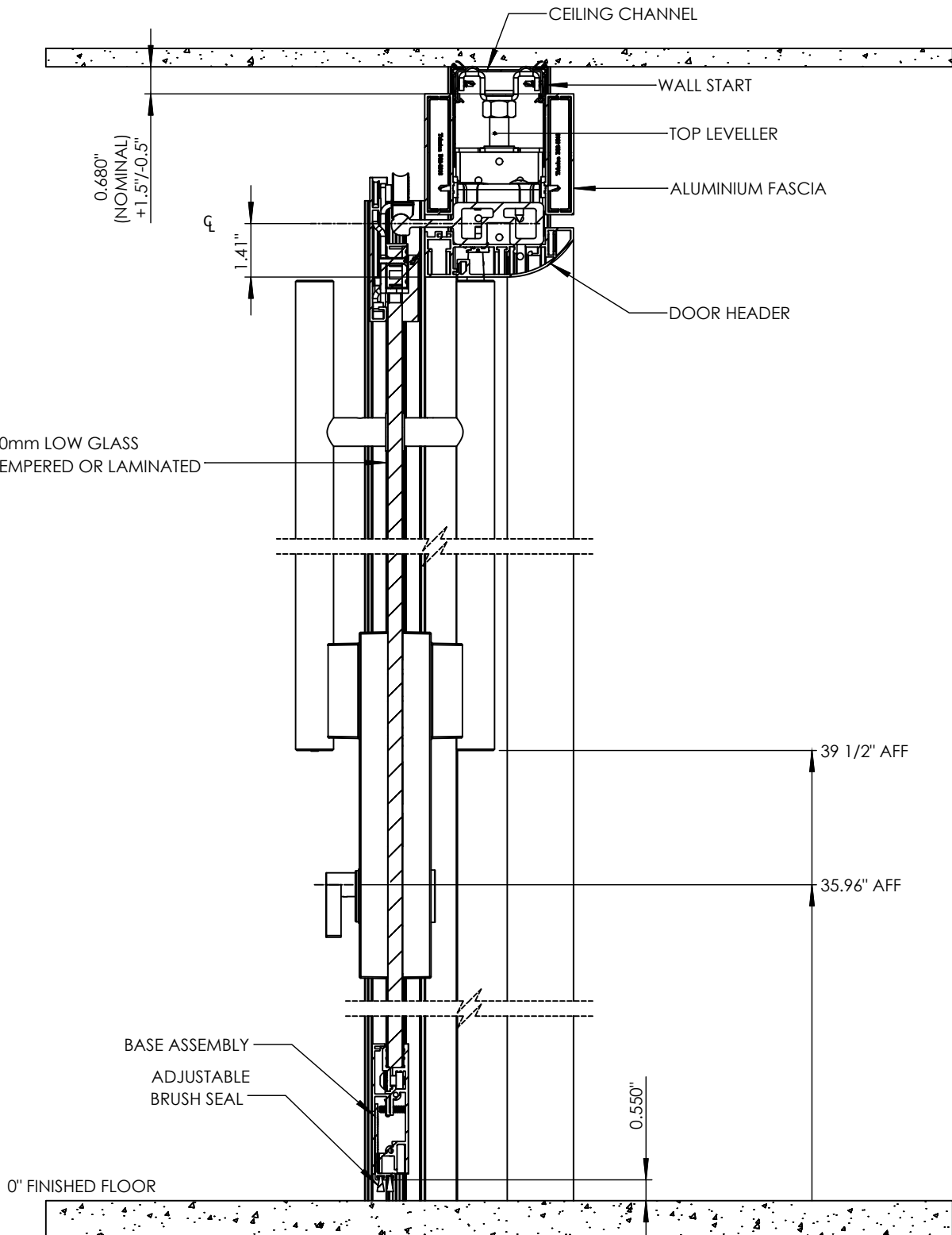
This drawing is the property of Teknion Limited and is subject to return upon demand. It must not be copied or reproduced in any manner, nor submitted to any outside parties for examination without Teknion consent. This drawing must not be scaled, or used for construction purposes.

www.teknion.com **teknion**





**1** SLIDING INTERIOR GLASS DOOR WITH LOCKING CEILING PULL  
 ADA THUMBTURN, ROUND JAMB



**1** SLIDING INTERIOR GLASS DOOR WITH LOCKING CEILING PULL  
 ADA THUMBTURN, ROUND JAMB

DOOR PACKAGES

1'-0"=1'-0"

ALTOS DETAILING PACKAGE

MAR 01, 2024

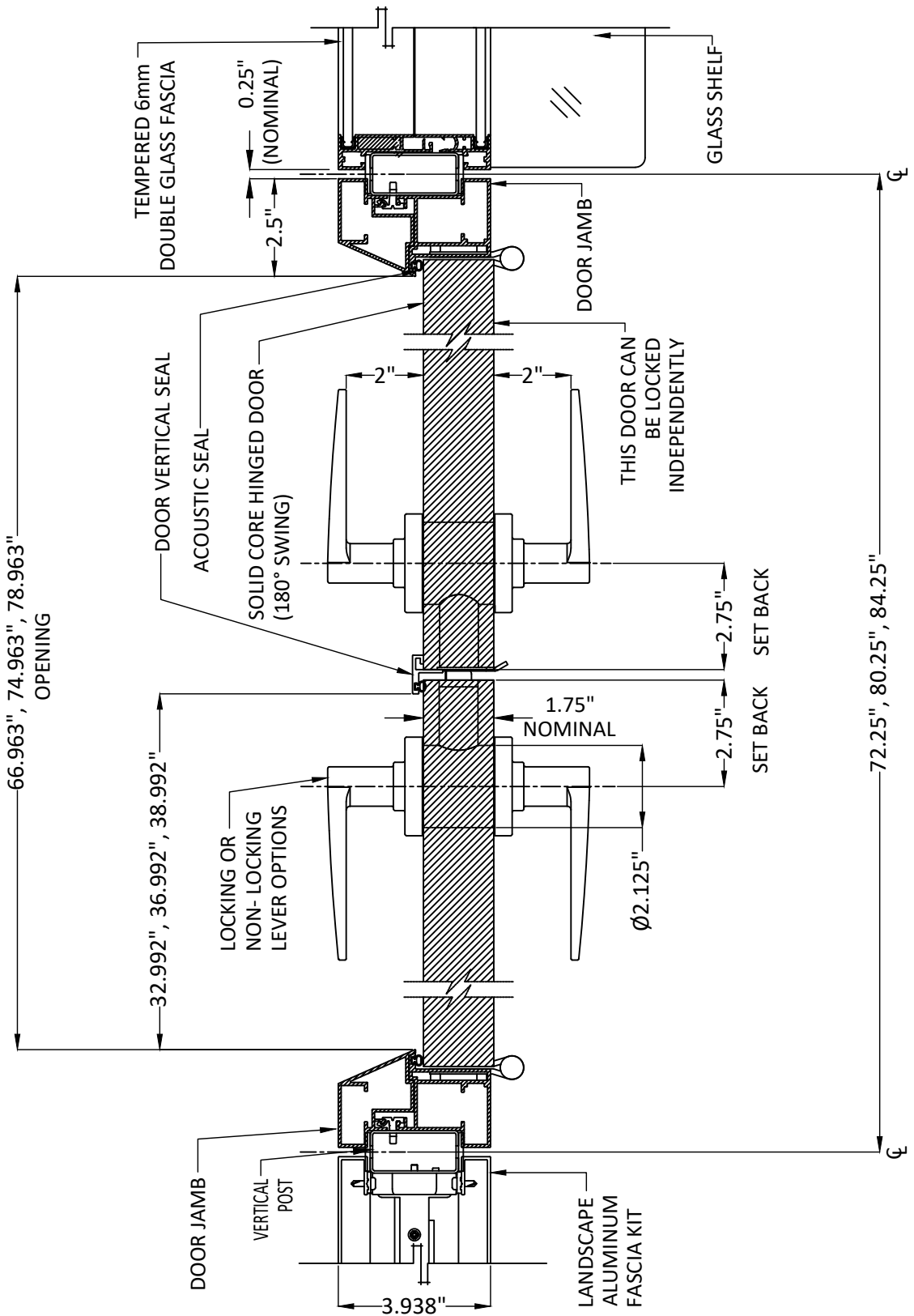
REV02

B12

This drawing is the property of Teknion Limited and is subject to return upon demand. It must not be copied or reproduced in any manner, nor submitted to any outside parties for examination without Teknion consent. This drawing must not be scaled, or used for construction purposes.

www.teknion.com

**teknion**



**1** HINGED DOUBLE DOOR AND FRAME - HORIZONTAL SECTION

DOOR PACKAGES

1'-0"=1'-0"

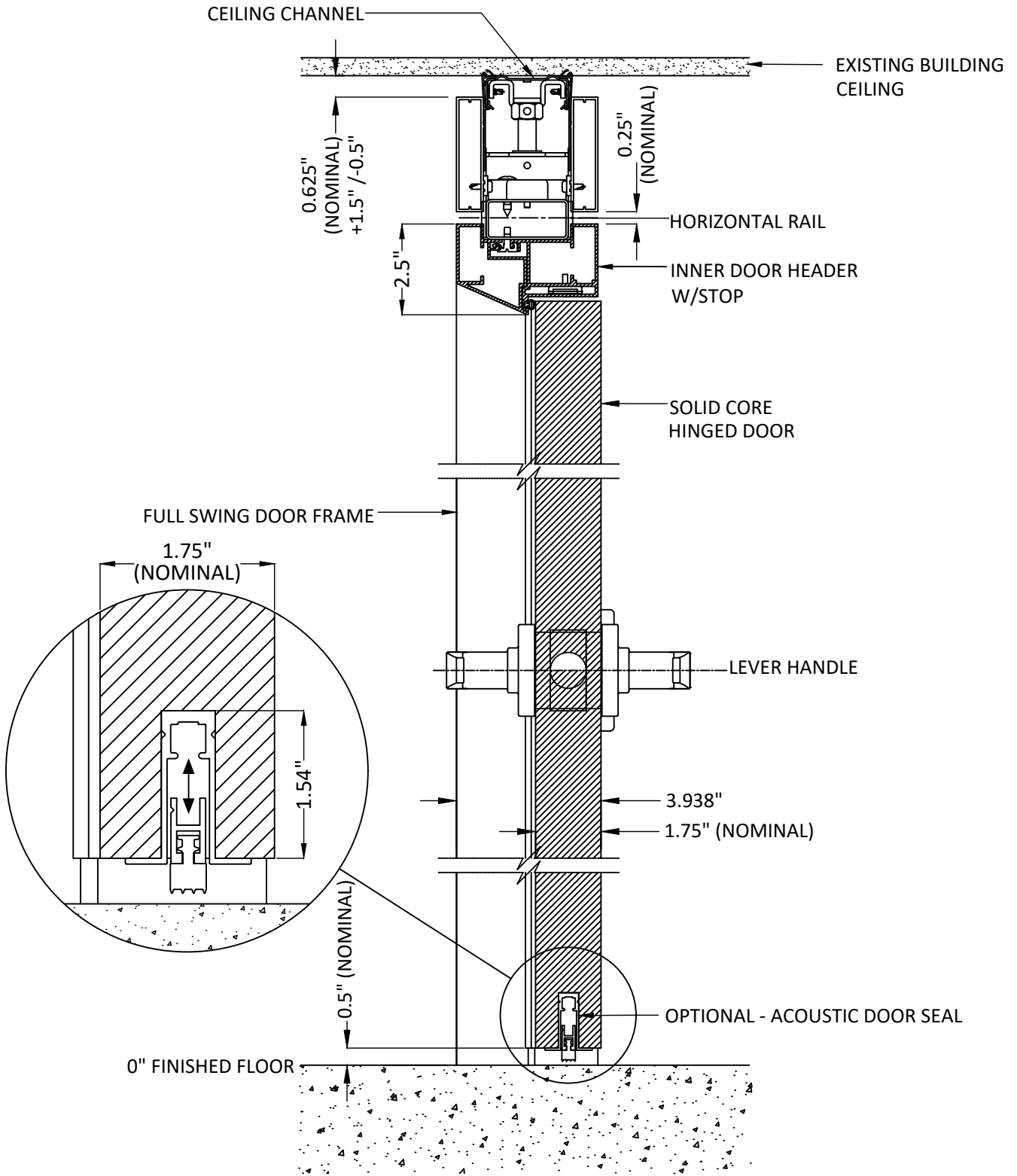
ALTOS DETAILING PACKAGE

MAR 01, 2024

REV00

B13

This drawing is the property of Teknion Limited and is subject to return upon demand. It must not be copied or reproduced in any manner, nor submitted to any outside parties for examination without Teknion consent. This drawing must not be scaled, or used for construction purposes.



**1** HINGED DOUBLE DOOR AND FRAME - VERTICAL SECTION

DOOR PACKAGES

1'-0"=1'-0"

ALTOS DETAILING PACKAGE

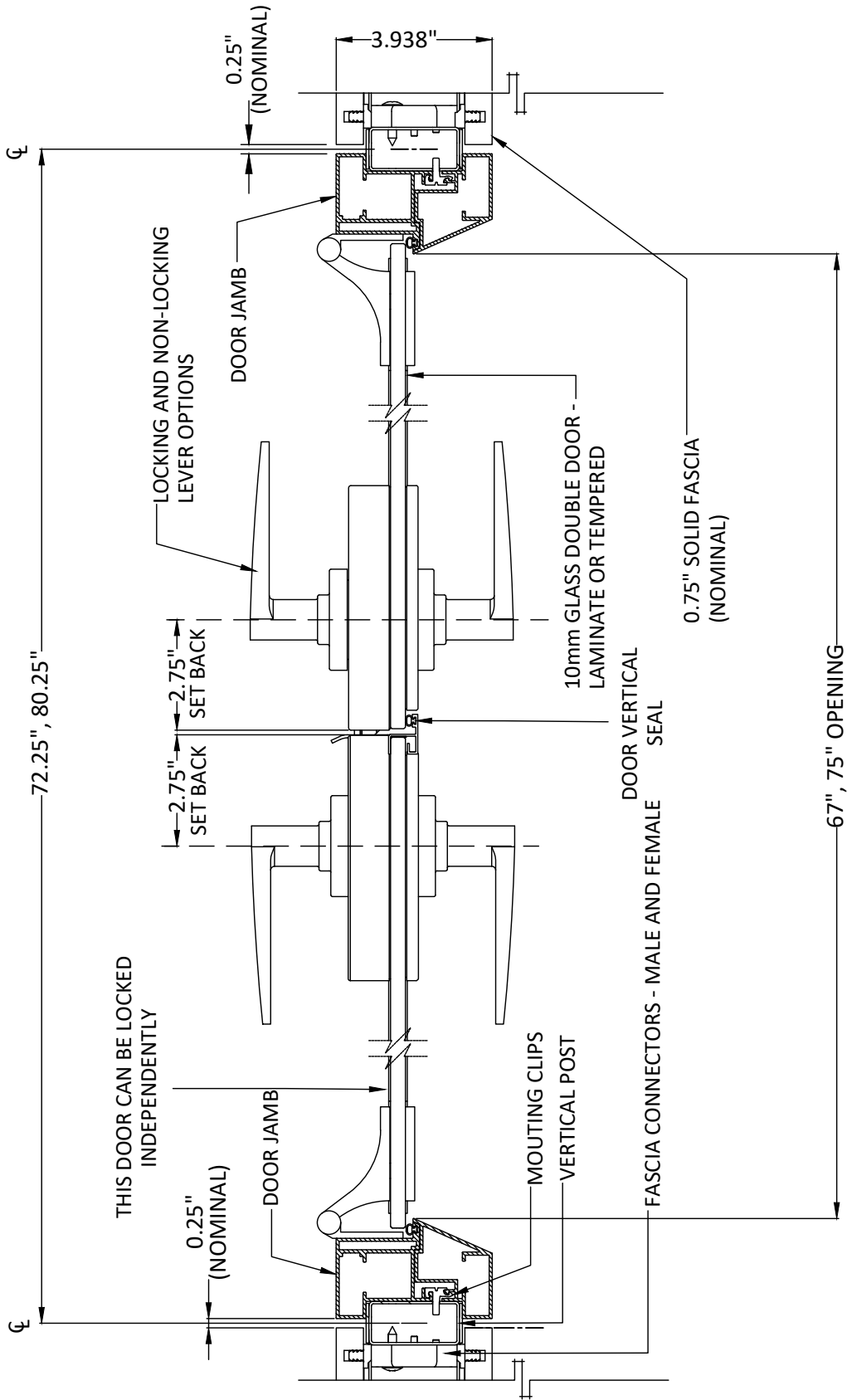
MAR 01, 2024

REV00

B14

This drawing is the property of Teknion Limited and is subject to return upon demand. It must not be copied or reproduced in any manner, nor submitted to any outside parties for examination without Teknion consent. This drawing must not be scaled, or used for construction purposes.

www.teknion.com **teknion**



**1** HINGED GLASS DOUBLE DOOR AND SEGMENTED FRAME - HORIZONTAL SECTION

DOOR PACKAGES

1'-0"=1'-0"

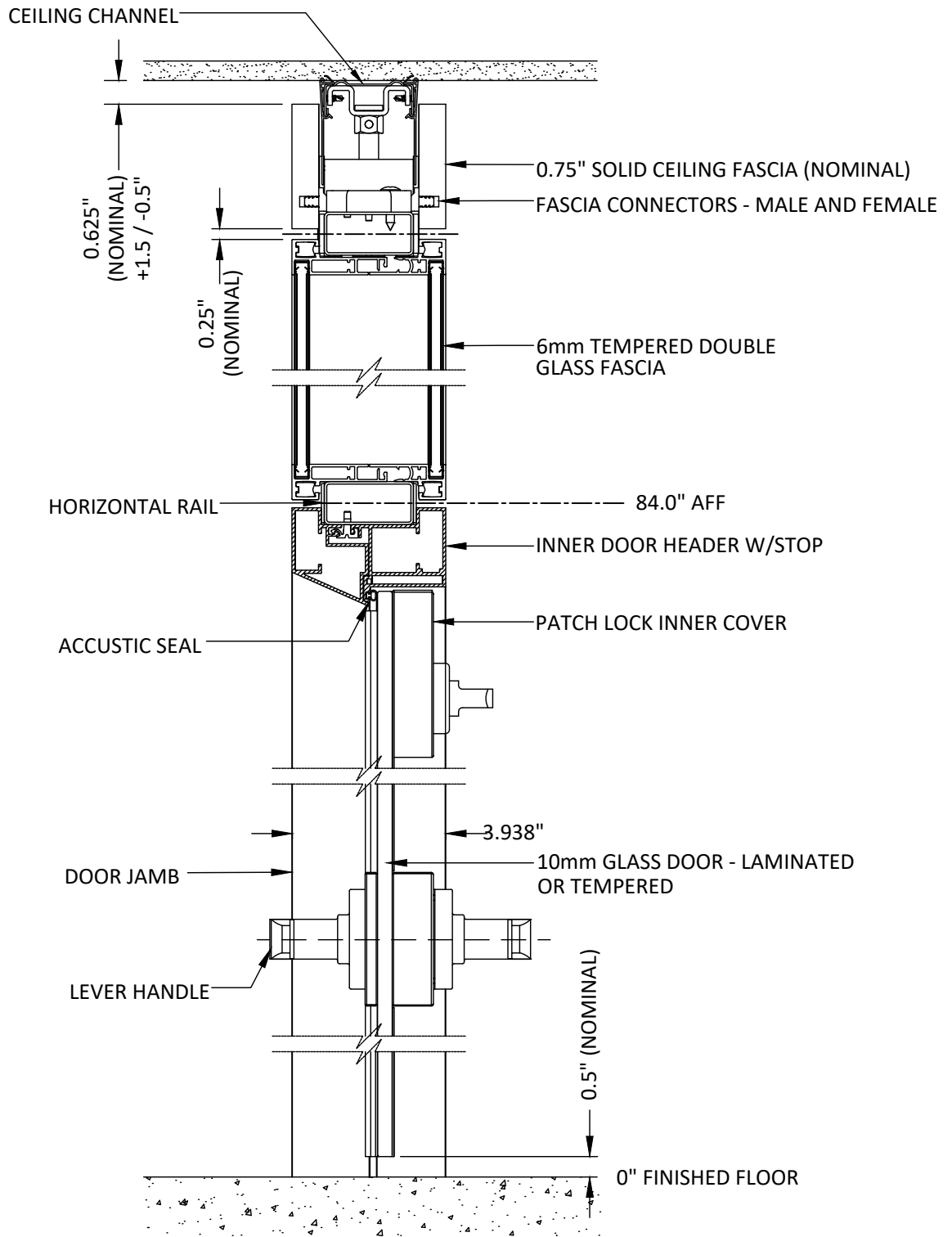
ALTOS DETAILING PACKAGE

MAR 01, 2024

REV00

B15

This drawing is the property of Teknion Limited and is subject to return upon demand. It must not be copied or reproduced in any manner, nor submitted to any outside parties for examination without Teknion consent. This drawing must not be scaled, or used for construction purposes.



**1** HINGED GLASS DOUBLE DOOR AND SEGMENTED FRAME - VERTICAL SECTION

DOOR PACKAGES

1'-0"=1'-0"

ALTOS DETAILING PACKAGE

MAR 01, 2024

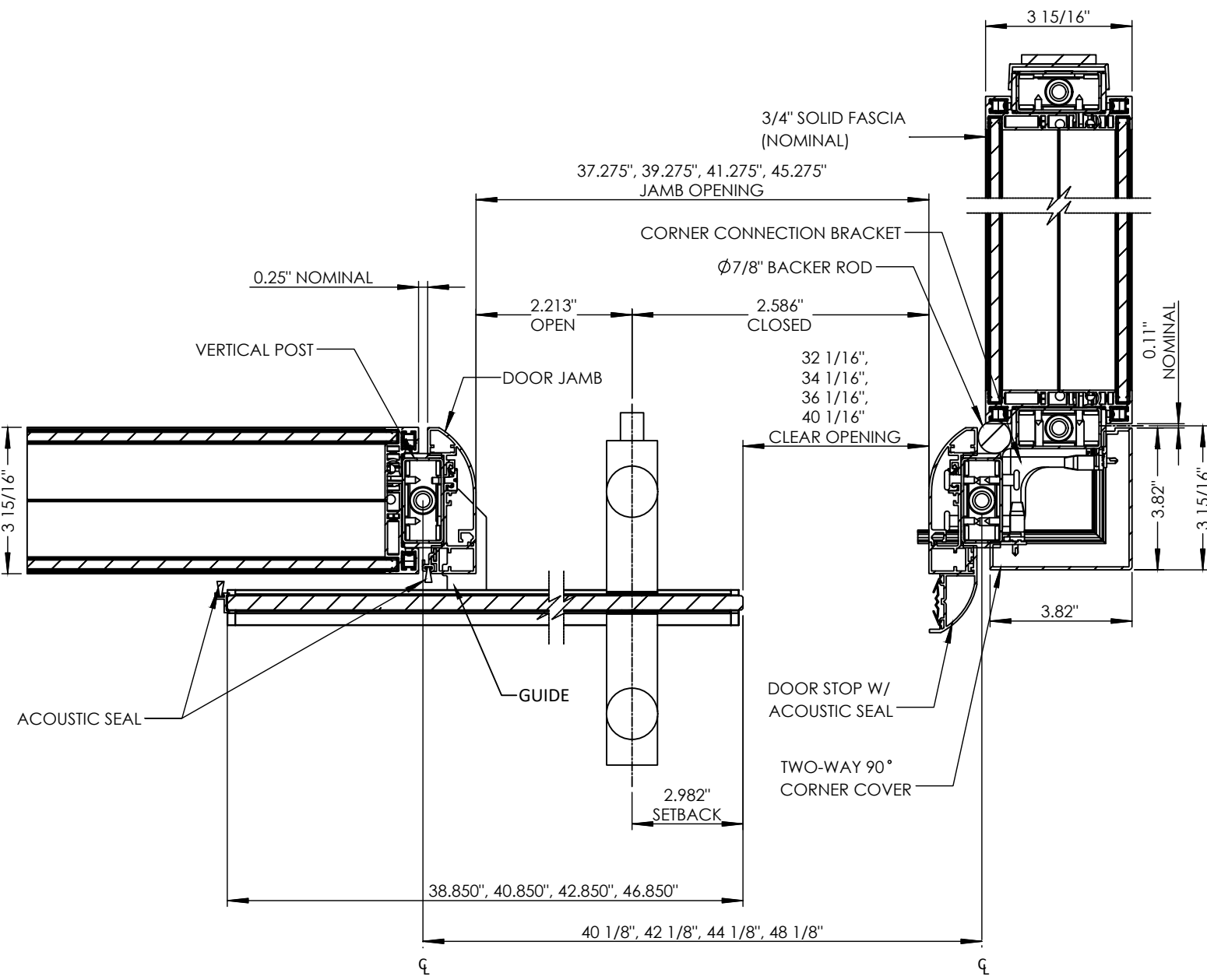
REV00

B16

This drawing is the property of Teknion Limited and is subject to return upon demand. It must not be copied or reproduced in any manner, nor submitted to any outside parties for examination without Teknion consent. This drawing must not be scaled, or used for construction purposes.

www.teknion.com

**teknion**



**1** SLIDING EXTERIOR GLASS DOOR WITH LOCKING FLOOR PULL  
ADA THUMBTURN, ROUND JAMB

DOOR PACKAGES

1'-0"=1'-0"

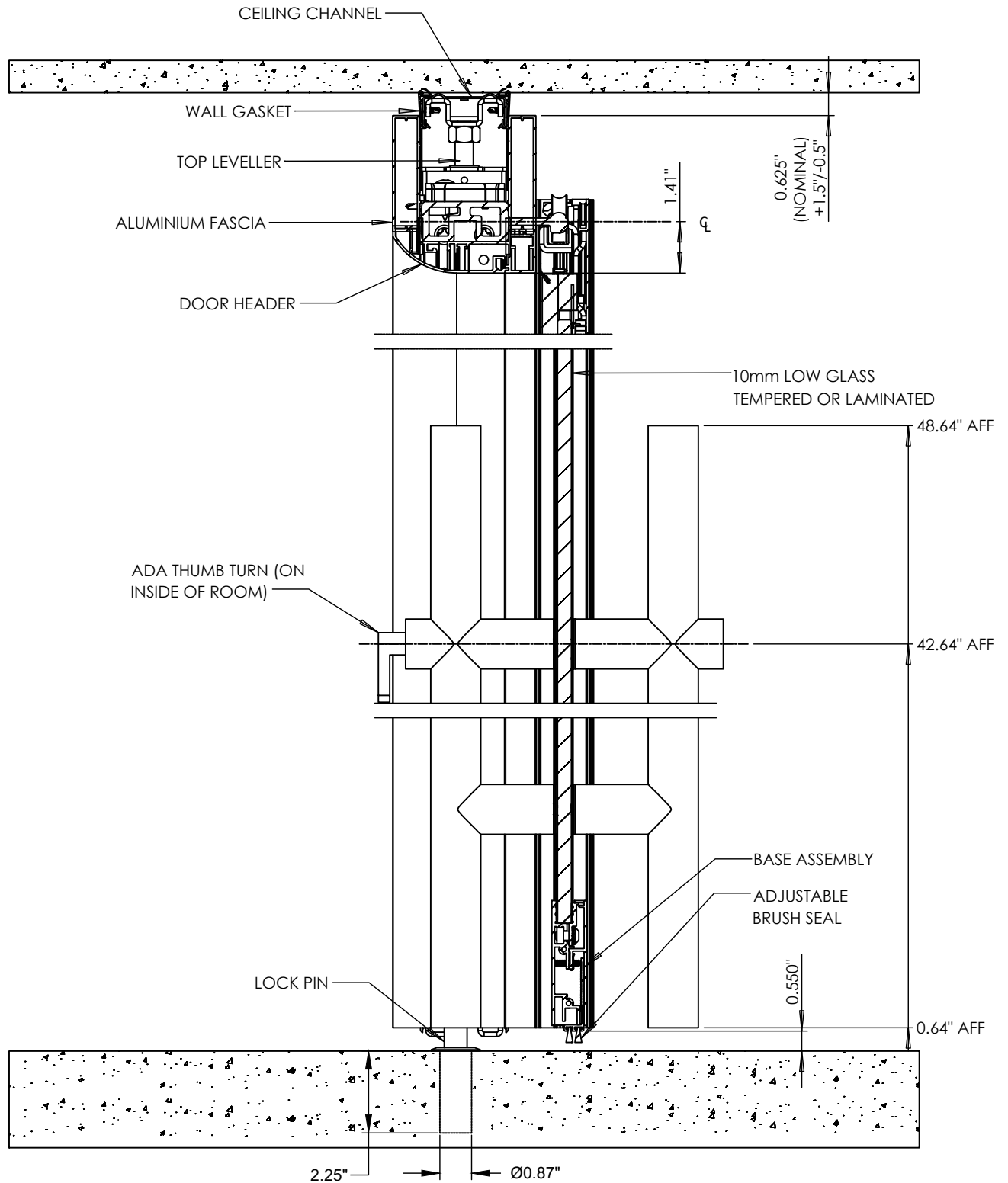
ALTOS DETAILING PACKAGE

MAR 01, 2024

REV02

B17

This drawing is the property of Teknion Limited and is subject to return upon demand. It must not be copied or reproduced in any manner, nor submitted to any outside parties for examination without Teknion consent. This drawing must not be scaled, or used for construction purposes.



**1** SLIDING EXTERIOR GLASS DOOR WITH LOCKING FLOOR PULL  
 ADA THUMBTURN, ROUND JAMB

DOOR PACKAGES

1'-0"=1'-0"

ALTOS DETAILING PACKAGE

MAR 01, 2024

REV02

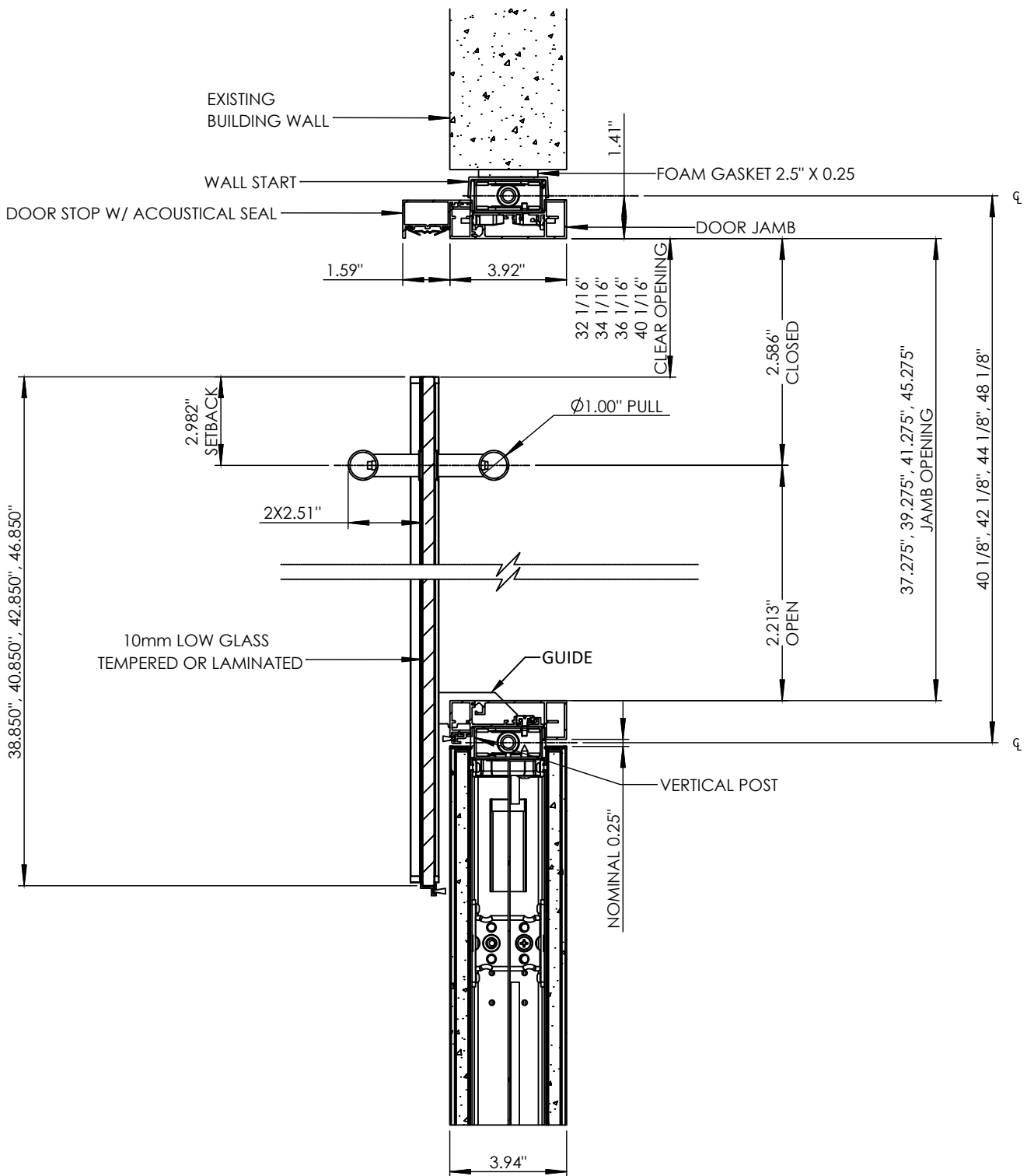
B18

This drawing is the property of Teknion Limited and is subject to return upon demand. It must not be copied or reproduced in any manner, nor submitted to any outside parties for examination without Teknion consent. This drawing must not be scaled, or used for construction purposes.

www.teknion.com

teknion





**1** SLIDING INTERIOR GLASS DOOR WITH NON LOCKING CEILING  
 PULL, SQUARE JAMB

DOOR PACKAGES

1'-0"=1'-0"

ALTOS DETAILING PACKAGE

MAR 01, 2024

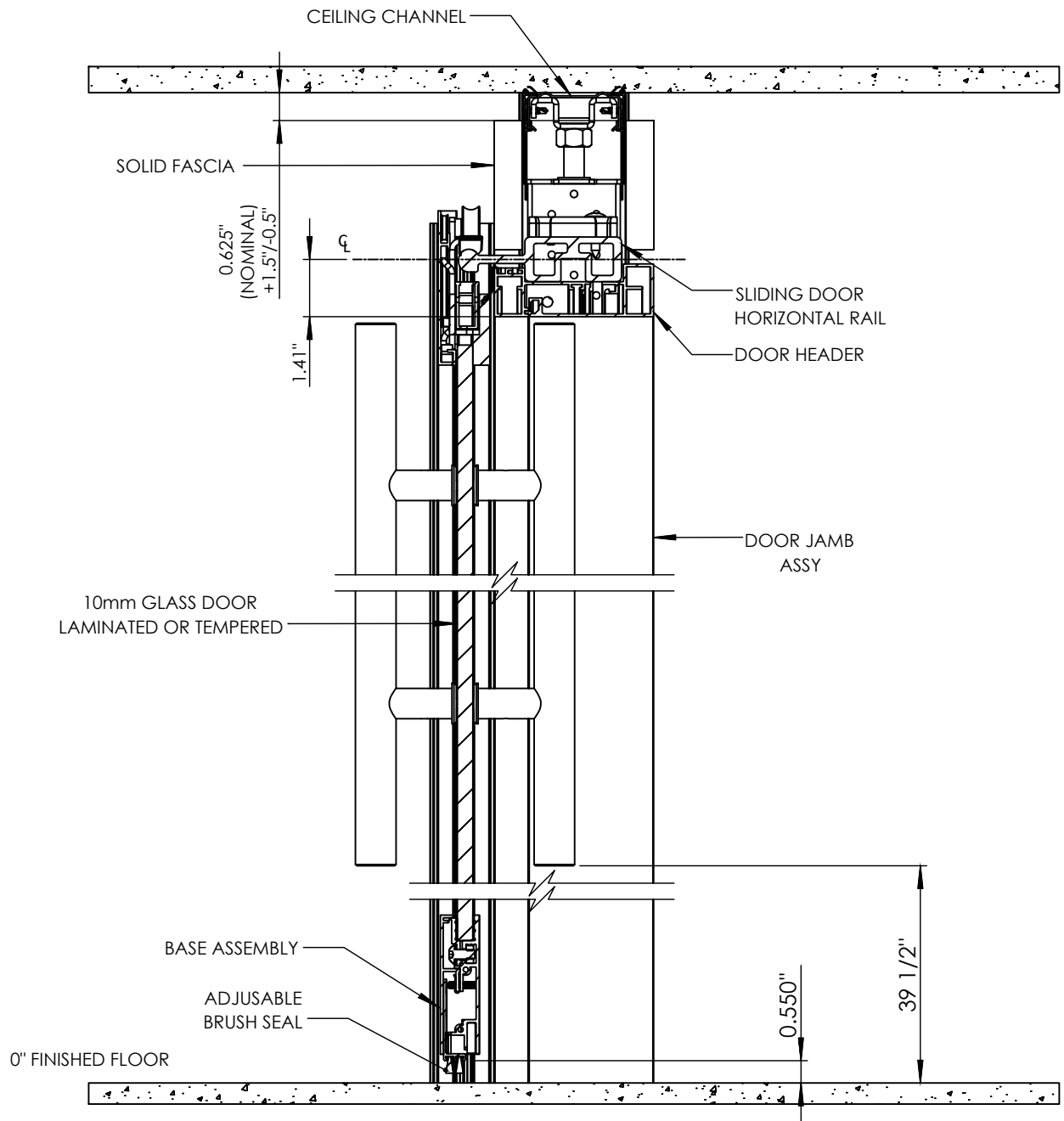
REV02

B19

This drawing is the property of Teknion Limited and is subject to return upon demand. It must not be copied or reproduced in any manner, nor submitted to any outside parties for examination without Teknion consent. This drawing must not be scaled, or used for construction purposes.

www.teknion.com

**teknion**



**1** SLIDING INTERIOR GLASS DOOR WITH NON LOCKING CEILING PULL, SQUARE JAMB

DOOR PACKAGES

1'-0"=1'-0"

ALTOS DETAILING PACKAGE

MAR 01, 2024

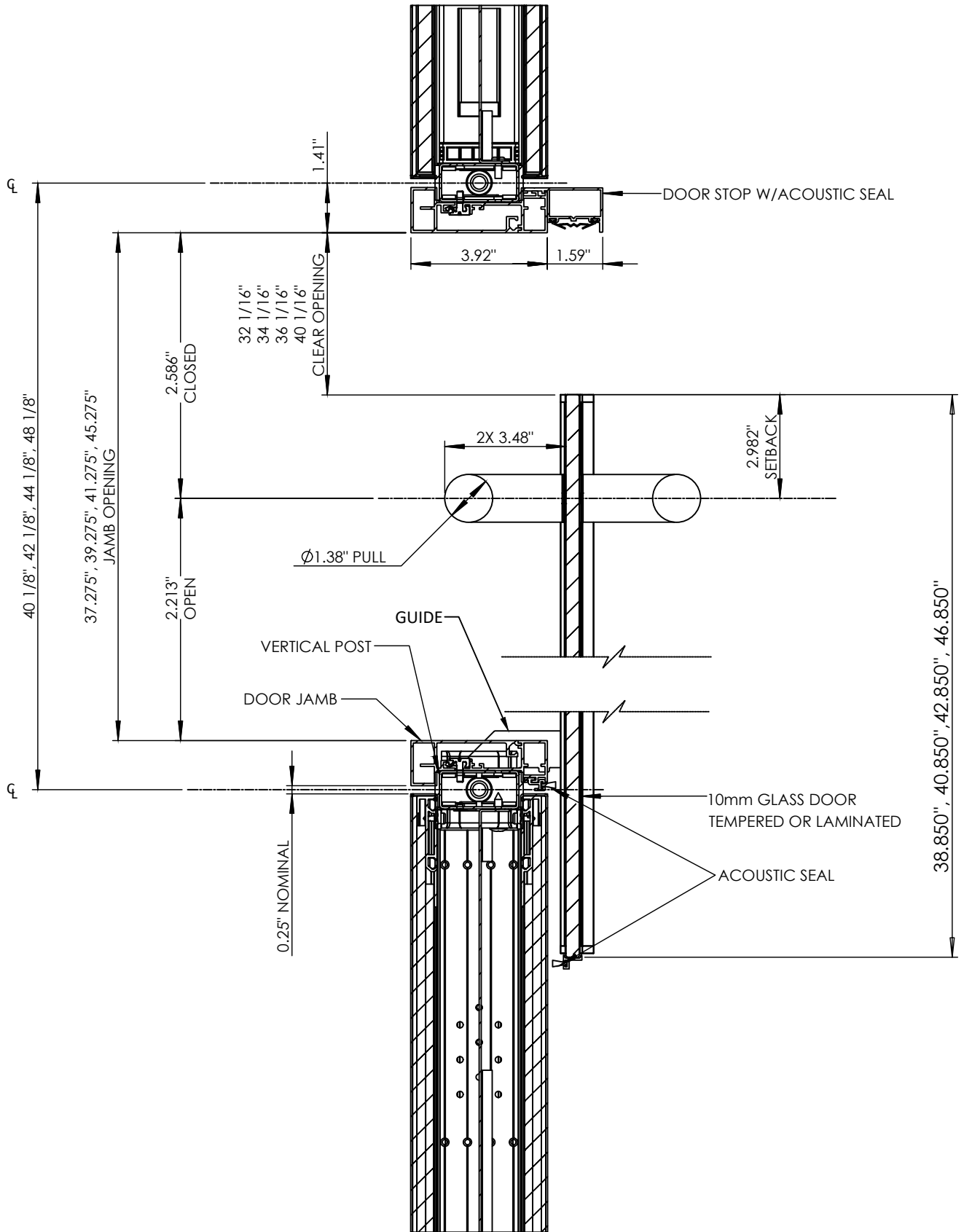
REV02

B20

This drawing is the property of Teknion Limited and is subject to return upon demand. It must not be copied or reproduced in any manner, nor submitted to any outside parties for examination without Teknion consent. This drawing must not be scaled, or used for construction purposes.

www.teknion.com

**teknion**



**1** SLIDING EXTERIOR GLASS DOOR WITH NON LOCKING FLOOR  
 PULL ADA THUMBTURN, SQUARE JAMB

DOOR PACKAGES

1'-0"=1'-0"

ALTOS DETAILING PACKAGE

MAR 01, 2024

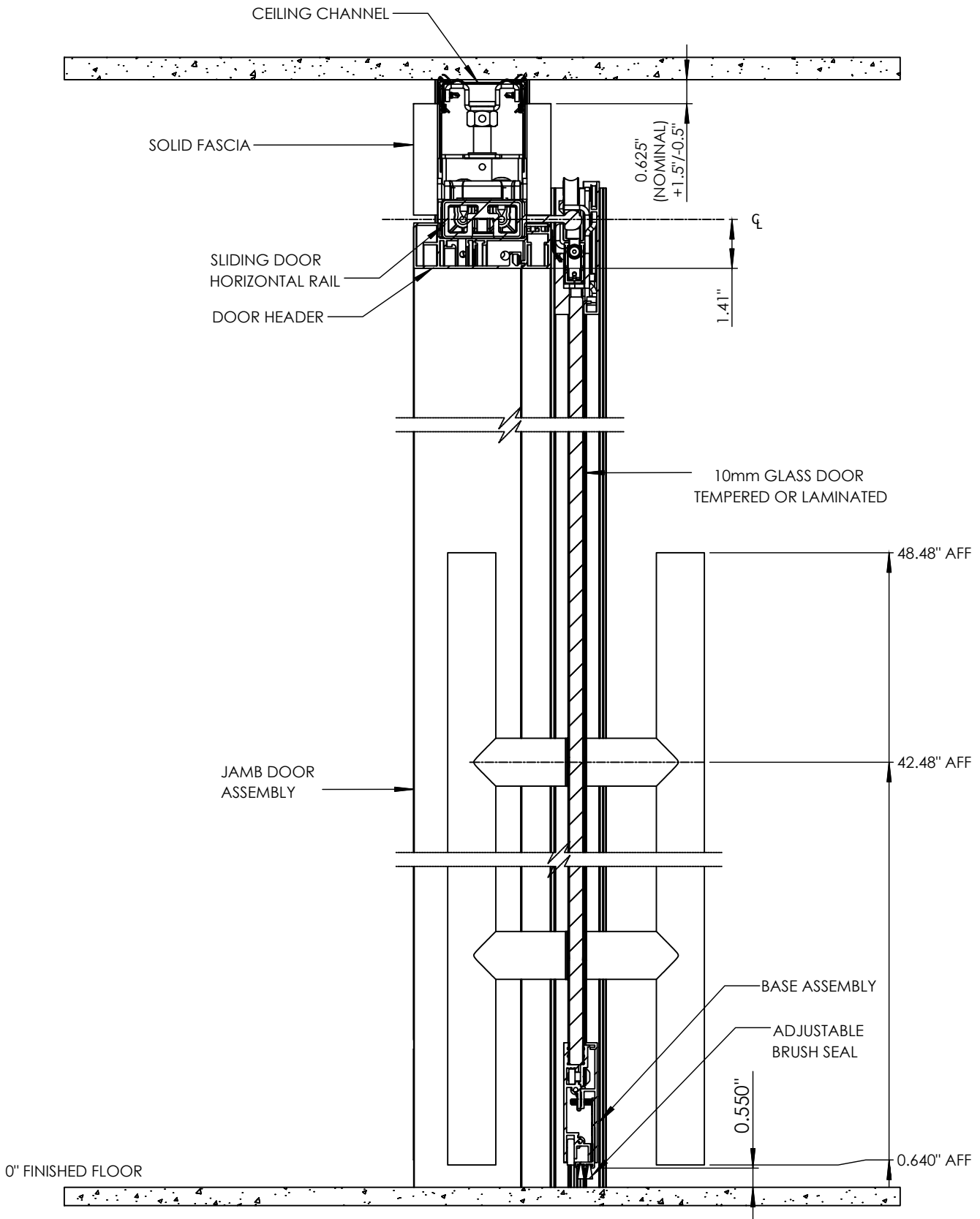
REV02

B21

This drawing is the property of Teknion Limited and is subject to return upon demand. It must not be copied or reproduced in any manner, nor submitted to any outside parties for examination without Teknion consent. This drawing must not be scaled, or used for construction purposes.

www.teknion.com

**teknion**



**1** SLIDING EXTERIOR GLASS DOOR WITH NON LOCKING FLOOR  
 PULL ADA THUMBTURN, SQUARE JAMB

DOOR PACKAGES

1'-0"=1'-0"

ALTOS DETAILING PACKAGE

MAR 01, 2024

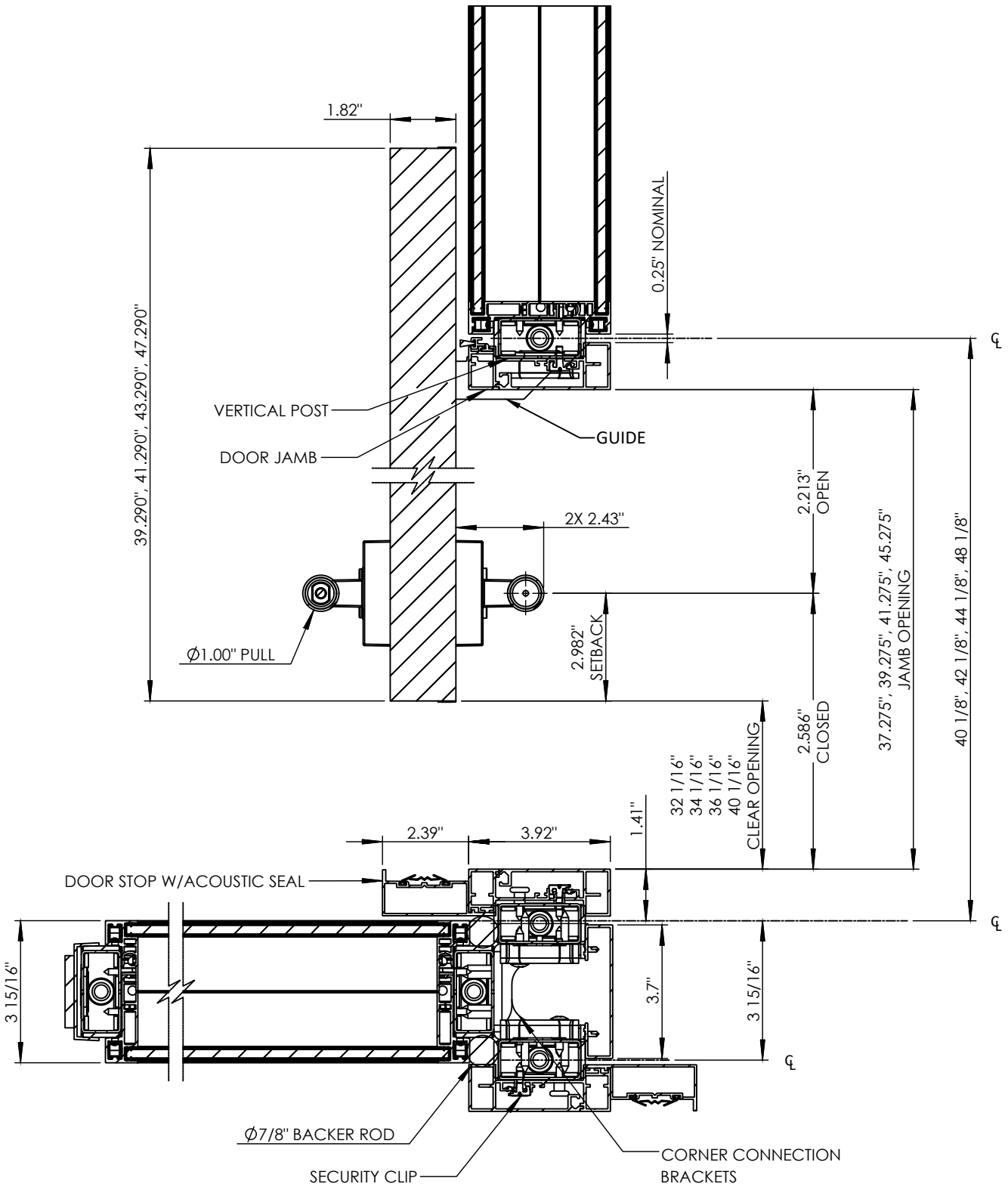
REV02

B22

This drawing is the property of Teknion Limited and is subject to return upon demand. It must not be copied or reproduced in any manner, nor submitted to any outside parties for examination without Teknion consent. This drawing must not be scaled, or used for construction purposes.

www.teknion.com

**teknion**



**1** SLIDING INTERIOR SOLID DOOR WITH CEILING PULL,  
SQUARE JAMB

DOOR PACKAGES

1'-0"=1'-0"

ALTOS DETAILING PACKAGE

MAR 01, 2024

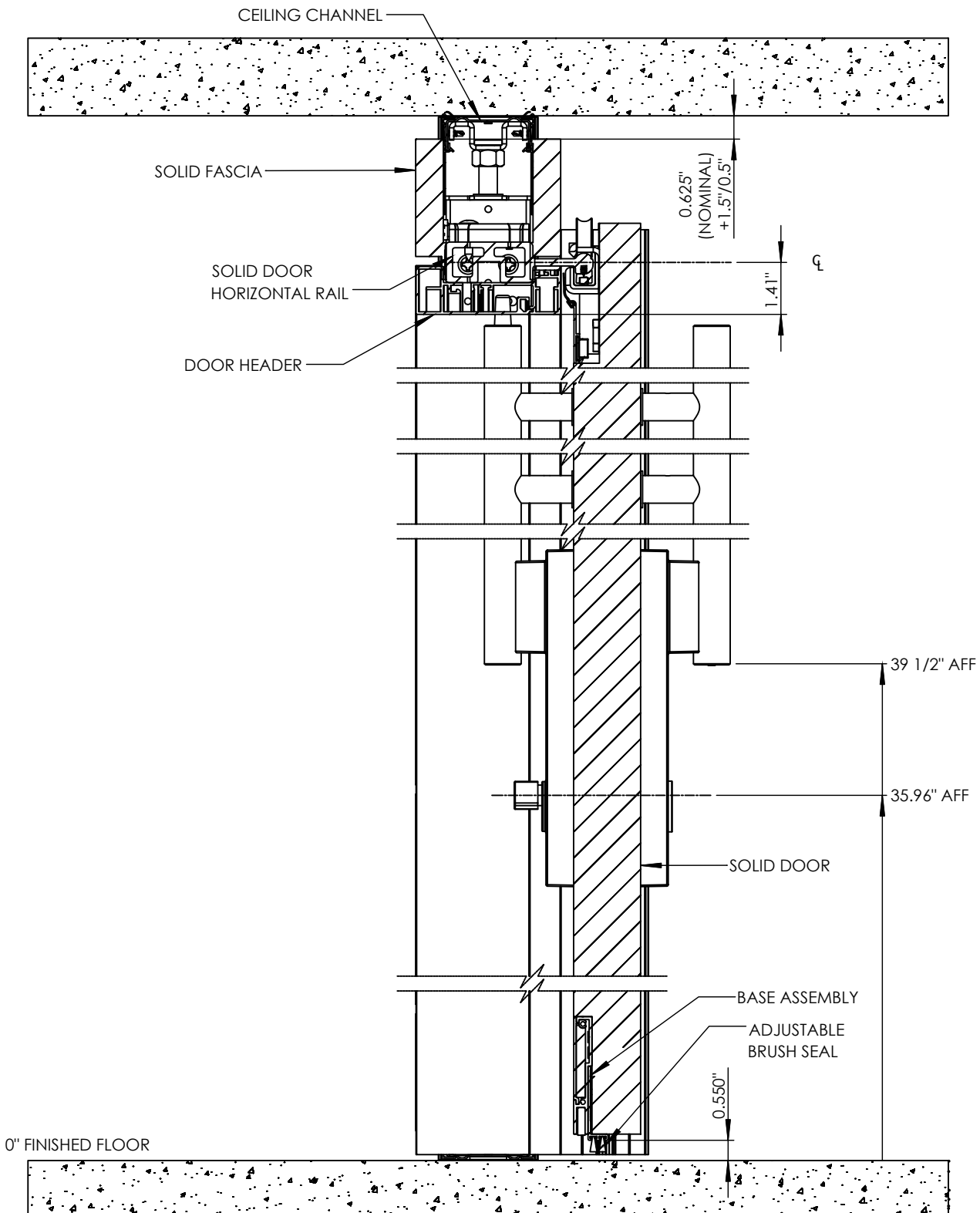
REV02

B23

This drawing is the property of Teknion Limited and is subject to return upon demand. It must not be copied or reproduced in any manner, nor submitted to any outside parties for examination without Teknion consent. This drawing must not be scaled, or used for construction purposes.

www.teknion.com

**teknion**



**1** SLIDING INTERIOR SOLID DOOR WITH CEILING PULL,  
SQUARE JAMB

DOOR PACKAGES

1'-0"=1'-0"

ALTOS DETAILING PACKAGE

MAR 01, 2024

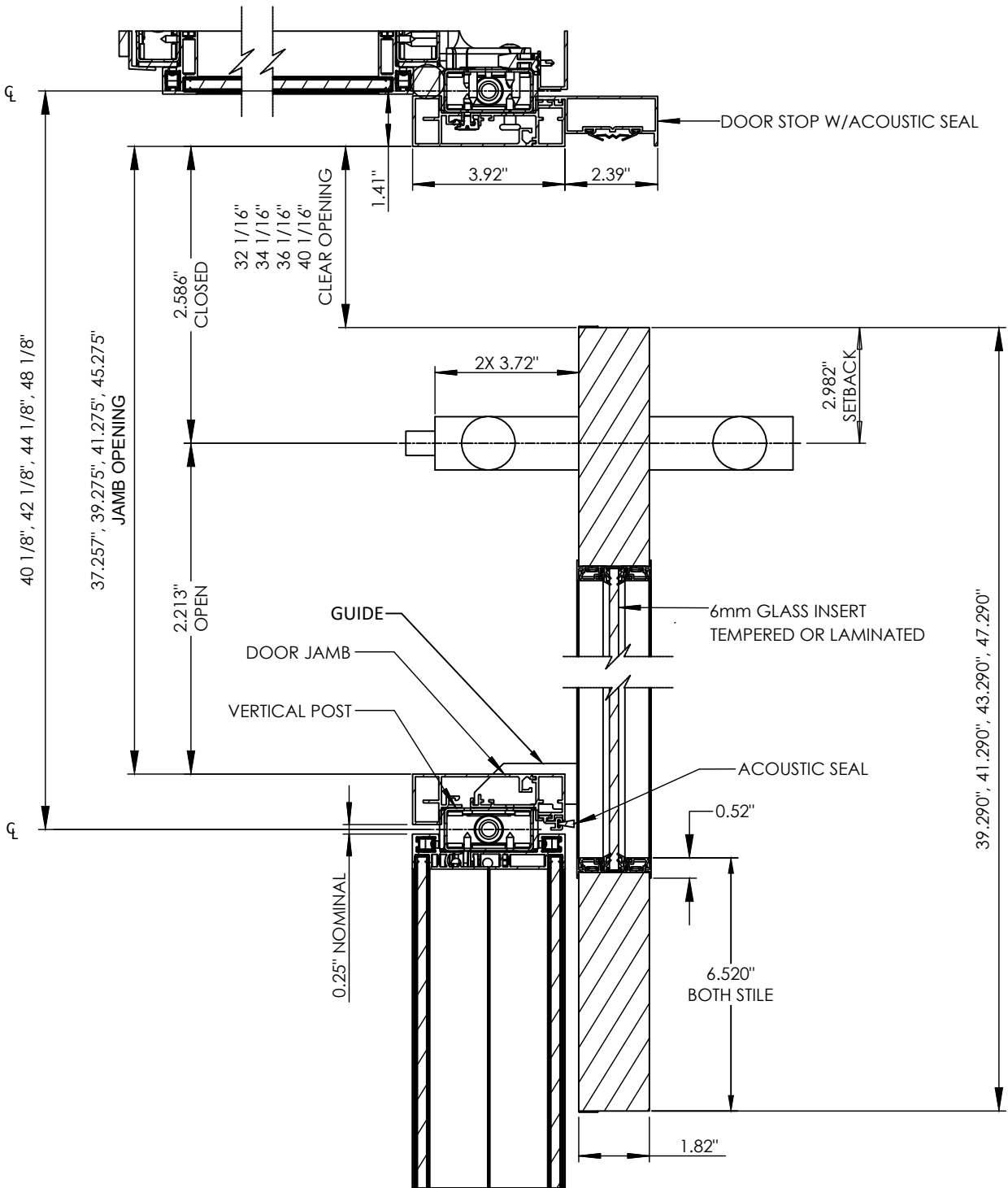
REV02

B24

This drawing is the property of Teknion Limited and is subject to return upon demand. It must not be copied or reproduced in any manner, nor submitted to any outside parties for examination without Teknion consent. This drawing must not be scaled, or used for construction purposes.

www.teknion.com

**teknion**



**1** SLIDING EXTERIOR SOLID GLASS INSERT DOOR WITH LOCKING  
 FLOOR PULL ADA THUMBTURN, SQUARE JAMB

DOOR PACKAGES

1'-0"=1'-0"

ALTOS DETAILING PACKAGE

MAR 01, 2024

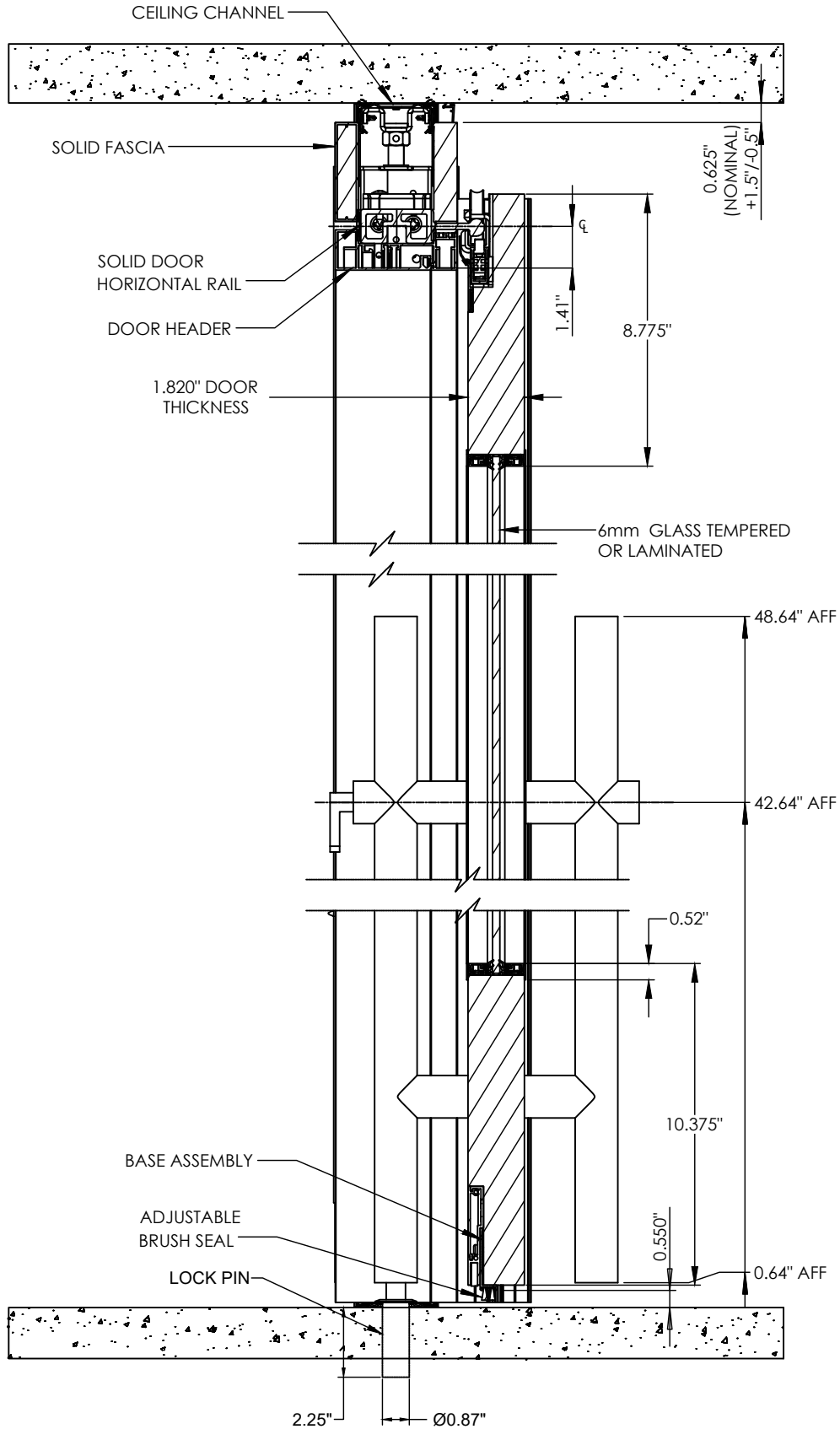
REV03

B25

This drawing is the property of Teknion Limited and is subject to return upon demand. It must not be copied or reproduced in any manner, nor submitted to any outside parties for examination without Teknion consent. This drawing must not be scaled, or used for construction purposes.

www.teknion.com

**teknion**



**1** SLIDING EXTERIOR SOLID GLASS INSERT DOOR WITH LOCKING  
 FLOOR PULL ADA THUMBTURN, SQUARE JAMB

DOOR PACKAGES

1'-0"=1'-0"

ALTOS DETAILING PACKAGE

MAR 01, 2024

REV03

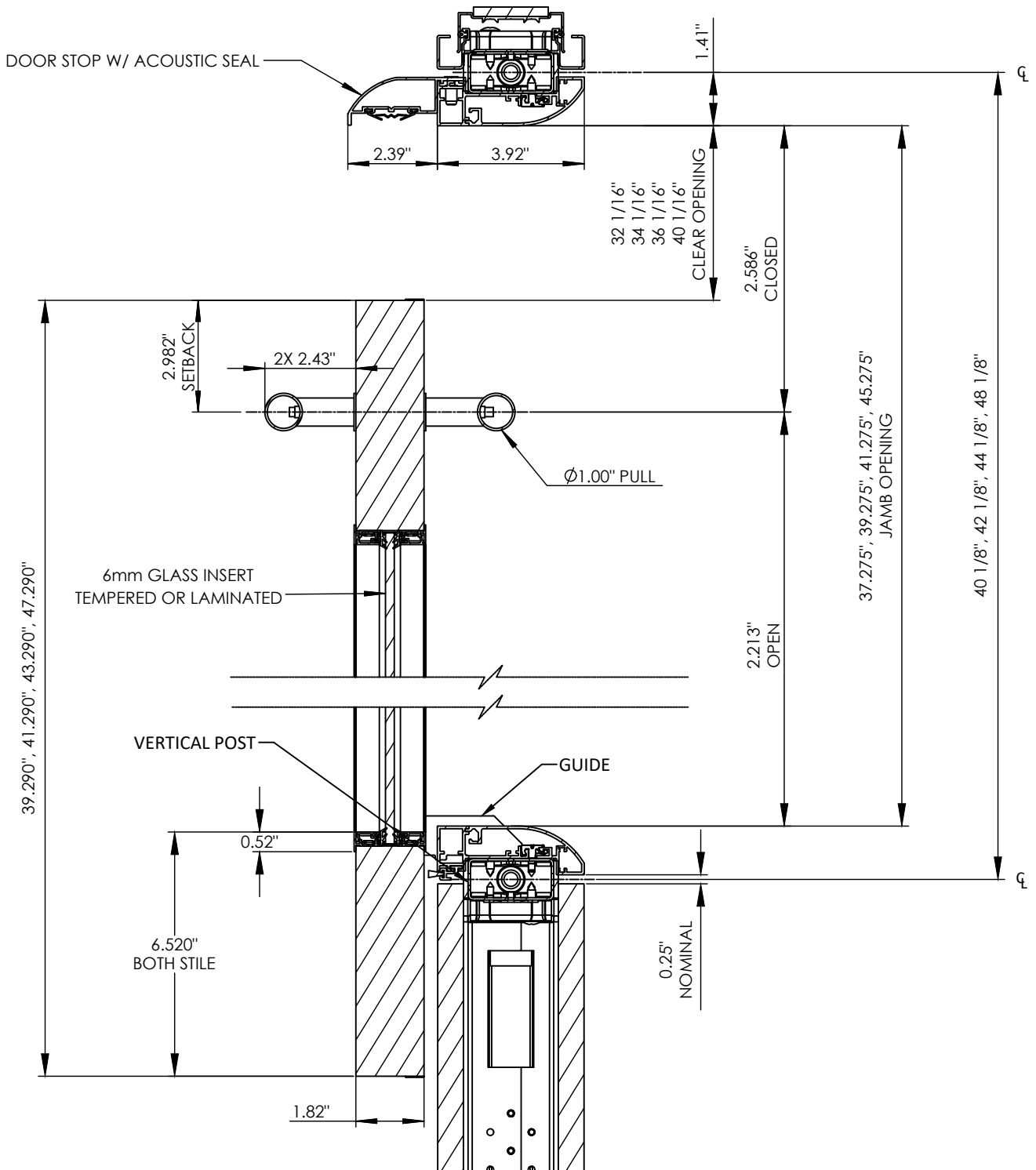
B26

This drawing is the property of Teknion Limited and is subject to return upon demand. It must not be copied or reproduced in any manner, nor submitted to any outside parties for examination without Teknion consent. This drawing must not be scaled, or used for construction purposes.

www.teknion.com

**teknion**





**1** SLIDING INTERIOR SOLID GLASS INSERT DOOR WITH NON LOCKING CEILING PULL, ROUND JAMB

DOOR PACKAGES

1'-0"=1'-0"

ALTOS DETAILING PACKAGE

MAR 01, 2024

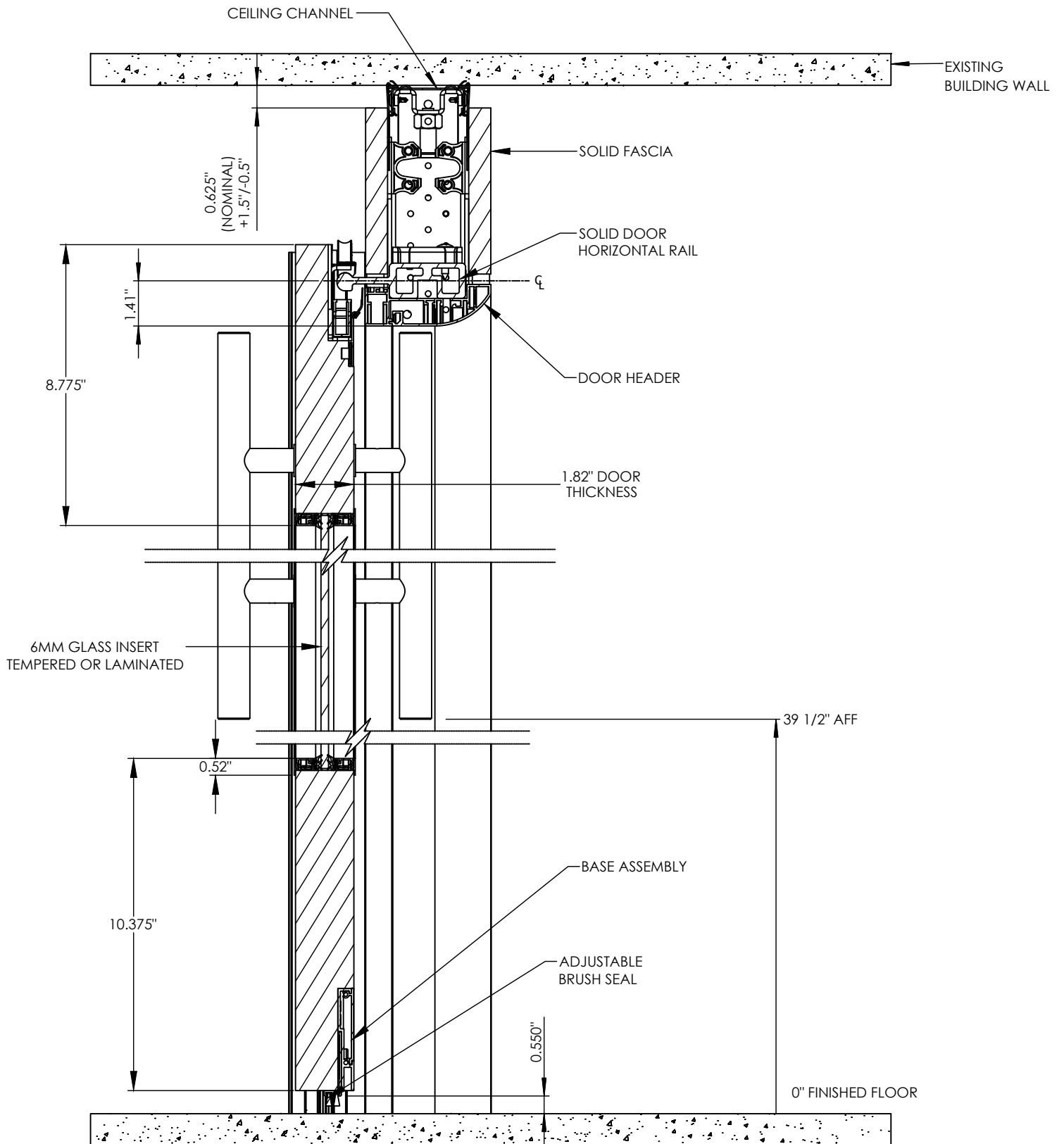
REV03

B27

This drawing is the property of Teknion Limited and is subject to return upon demand. It must not be copied or reproduced in any manner, nor submitted to any outside parties for examination without Teknion consent. This drawing must not be scaled, or used for construction purposes.

www.teknion.com

**teknion**



① SLIDING INTERIOR SOLID GLASS INSERT DOOR WITH NON LOCKING CEILING PULL, ROUND JAMB

DOOR PACKAGES

1'-0"=1'-0"

ALTOS DETAILING PACKAGE

MAR 01, 2024

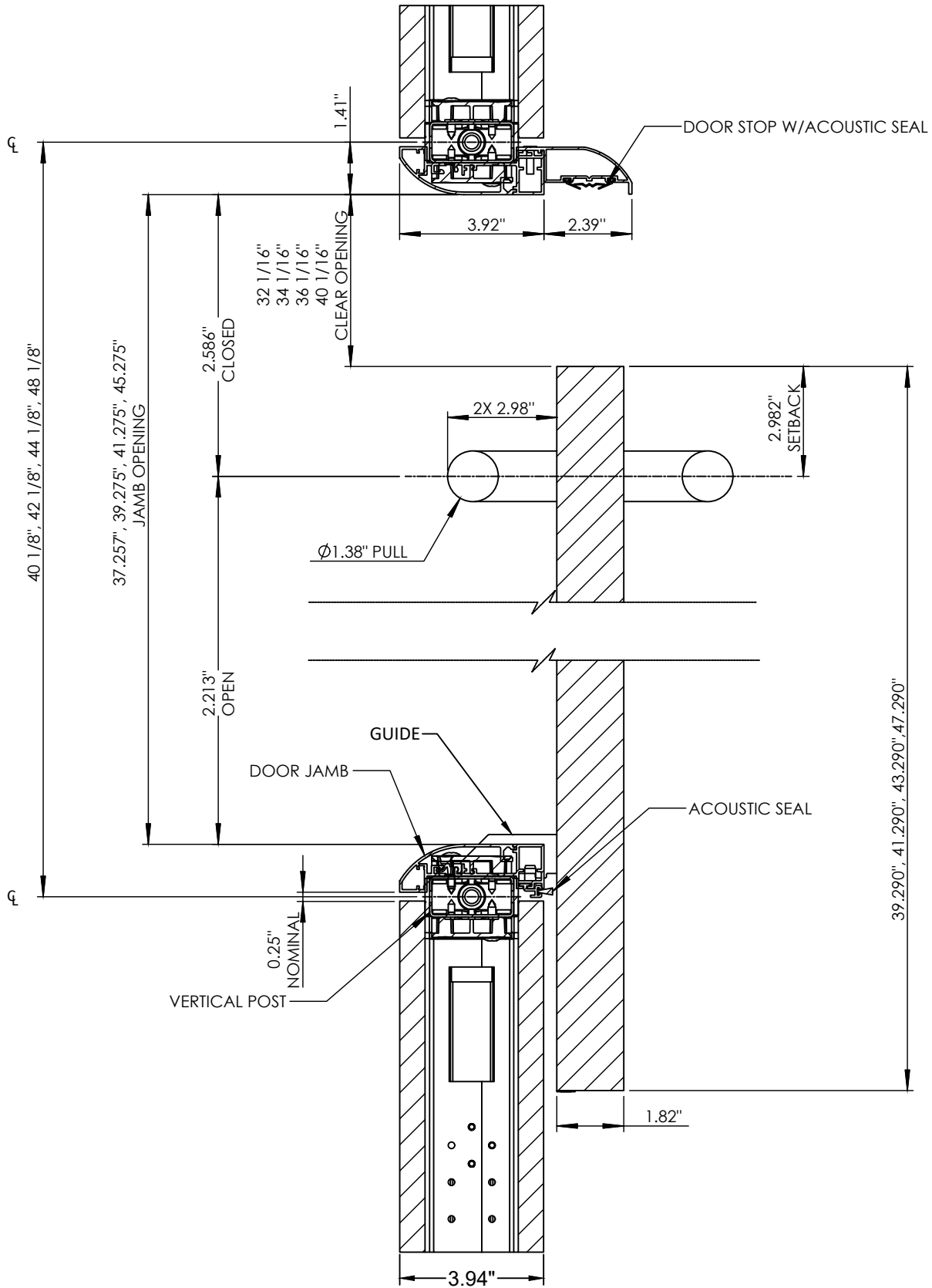
REV03

B28

This drawing is the property of Teknion Limited and is subject to return upon demand. It must not be copied or reproduced in any manner, nor submitted to any outside parties for examination without Teknion consent. This drawing must not be scaled, or used for construction purposes.

www.teknion.com

teknion



**1** SLIDING EXTERIOR SOLID DOOR WITH NON LOCKING FLOOR PULL ADA THUMBTURN, ROUND JAMB

DOOR PACKAGES

1'-0"=1'-0"

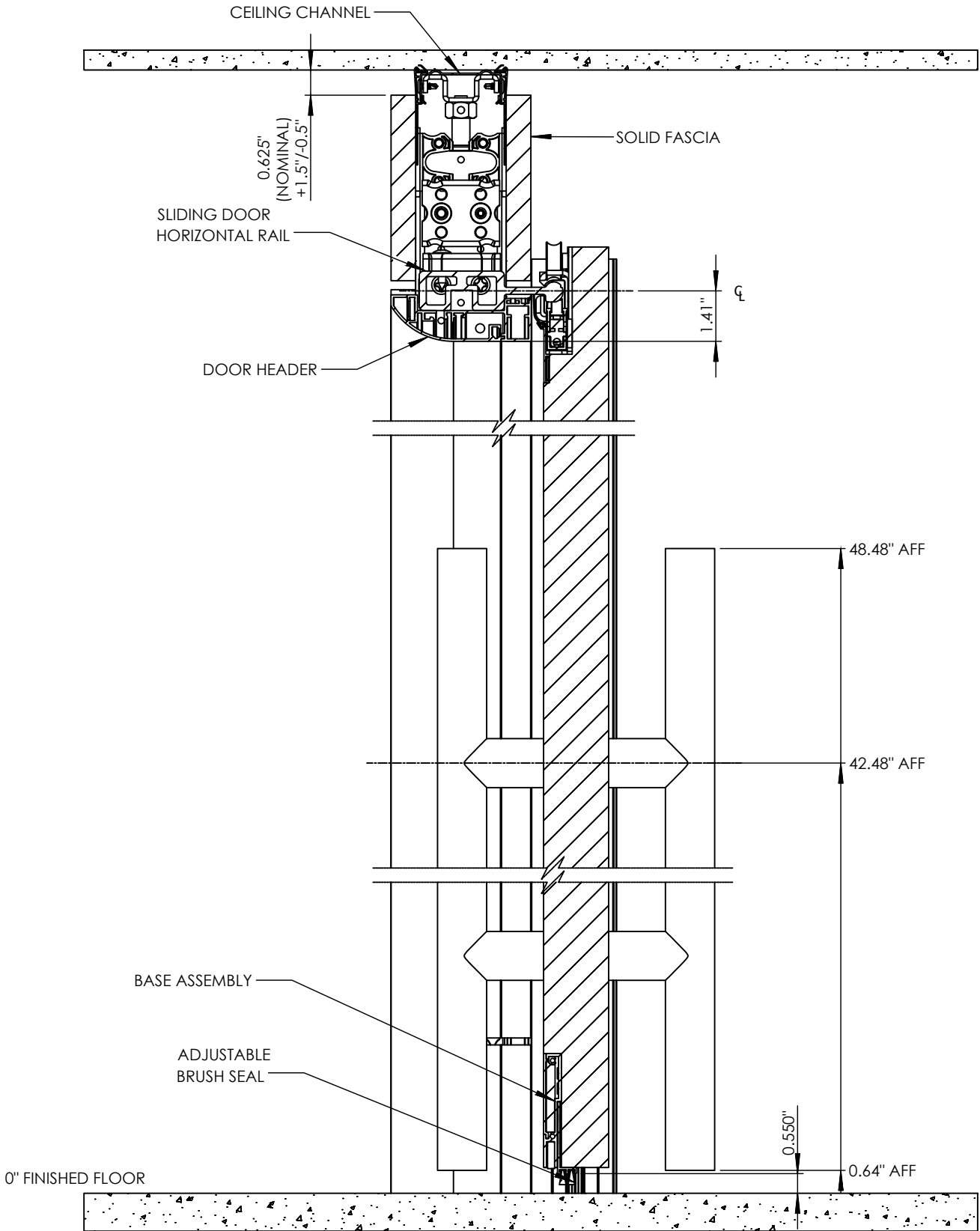
ALTOS DETAILING PACKAGE

MAR 01, 2024

REV02

B29

This drawing is the property of Teknion Limited and is subject to return upon demand. It must not be copied or reproduced in any manner, nor submitted to any outside parties for examination without Teknion consent. This drawing must not be scaled, or used for construction purposes.



**1** SLIDING EXTERIOR SOLID DOOR WITH NON LOCKING FLOOR  
 PULL ADA THUMBTURN, ROUND JAMB

DOOR PACKAGES

1'-0"=1'-0"

ALTOS DETAILING PACKAGE

MAR 01, 2024

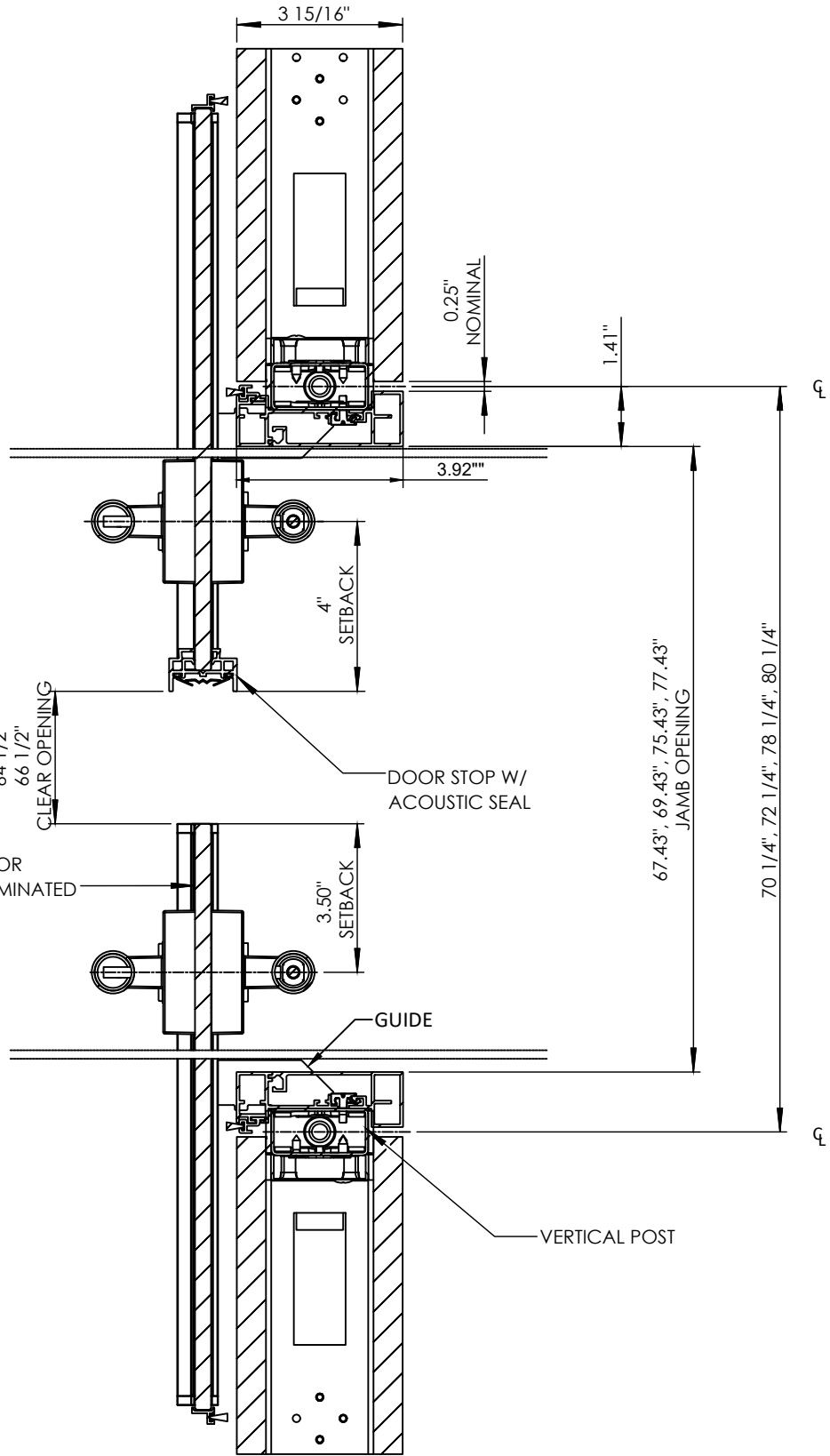
REV02

B30

This drawing is the property of Teknion Limited and is subject to return upon demand. It must not be copied or reproduced in any manner, nor submitted to any outside parties for examination without Teknion consent. This drawing must not be scaled, or used for construction purposes.

www.teknion.com

**teknion**



**1** EXTERIOR GLASS SLIDING DOOR WITH LOCKING CEILING PULL AND SQUARE JAMB

DOOR PACKAGES

1'-0"=1'-0"

ALTOS DETAILING PACKAGE

MAR 01, 2024

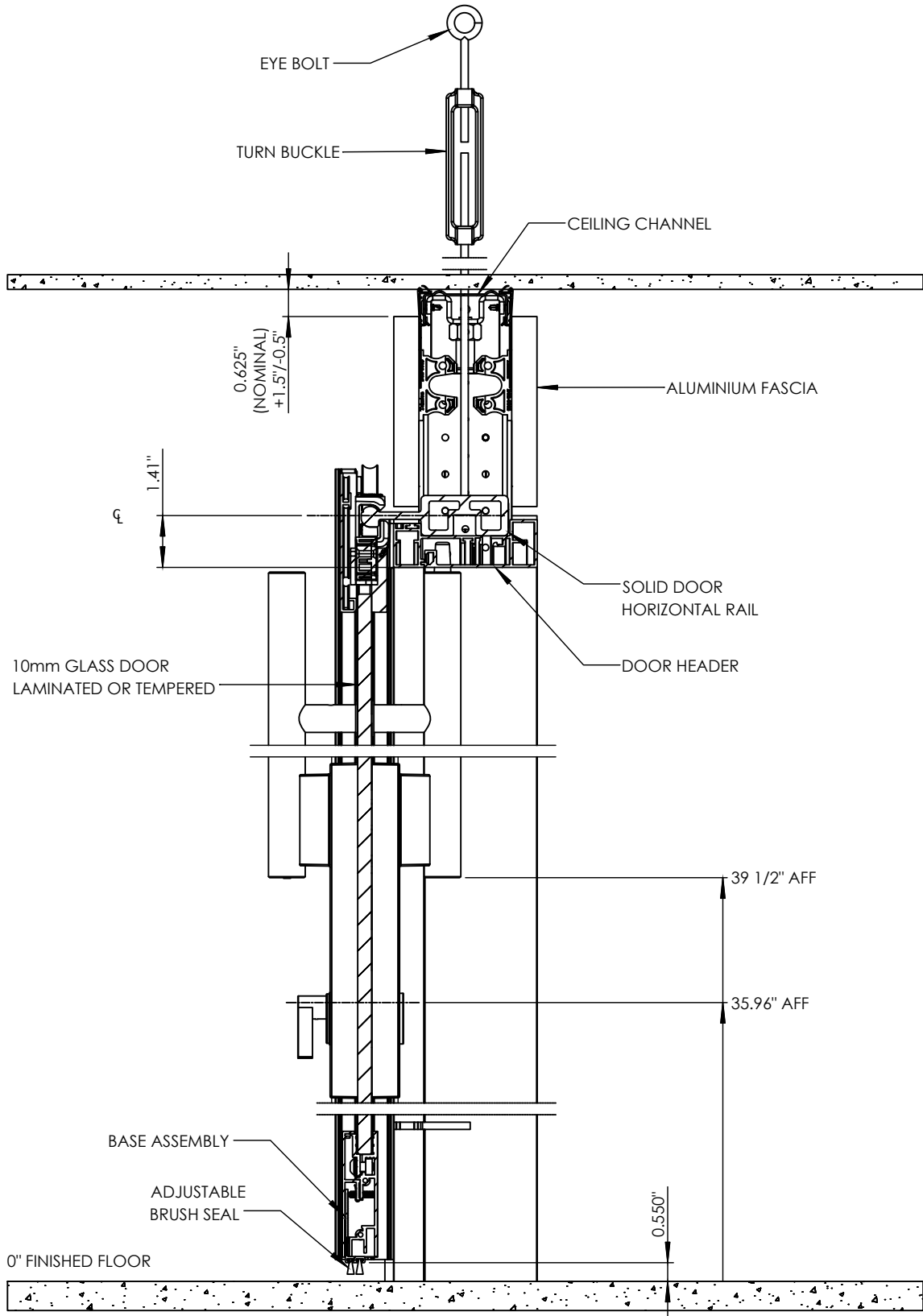
REV02

B31

This drawing is the property of Teknion Limited and is subject to return upon demand. It must not be copied or reproduced in any manner, nor submitted to any outside parties for examination without Teknion consent. This drawing must not be scaled, or used for construction purposes.

www.teknion.com

**teknion**



**1** EXTERIOR GLASS SLIDING DOOR WITH LOCKING  
 CEILING PULL AND SQUARE JAMB

DOOR PACKAGES

1'-0"=1'-0"

ALTOS DETAILING PACKAGE

MAR 01, 2024

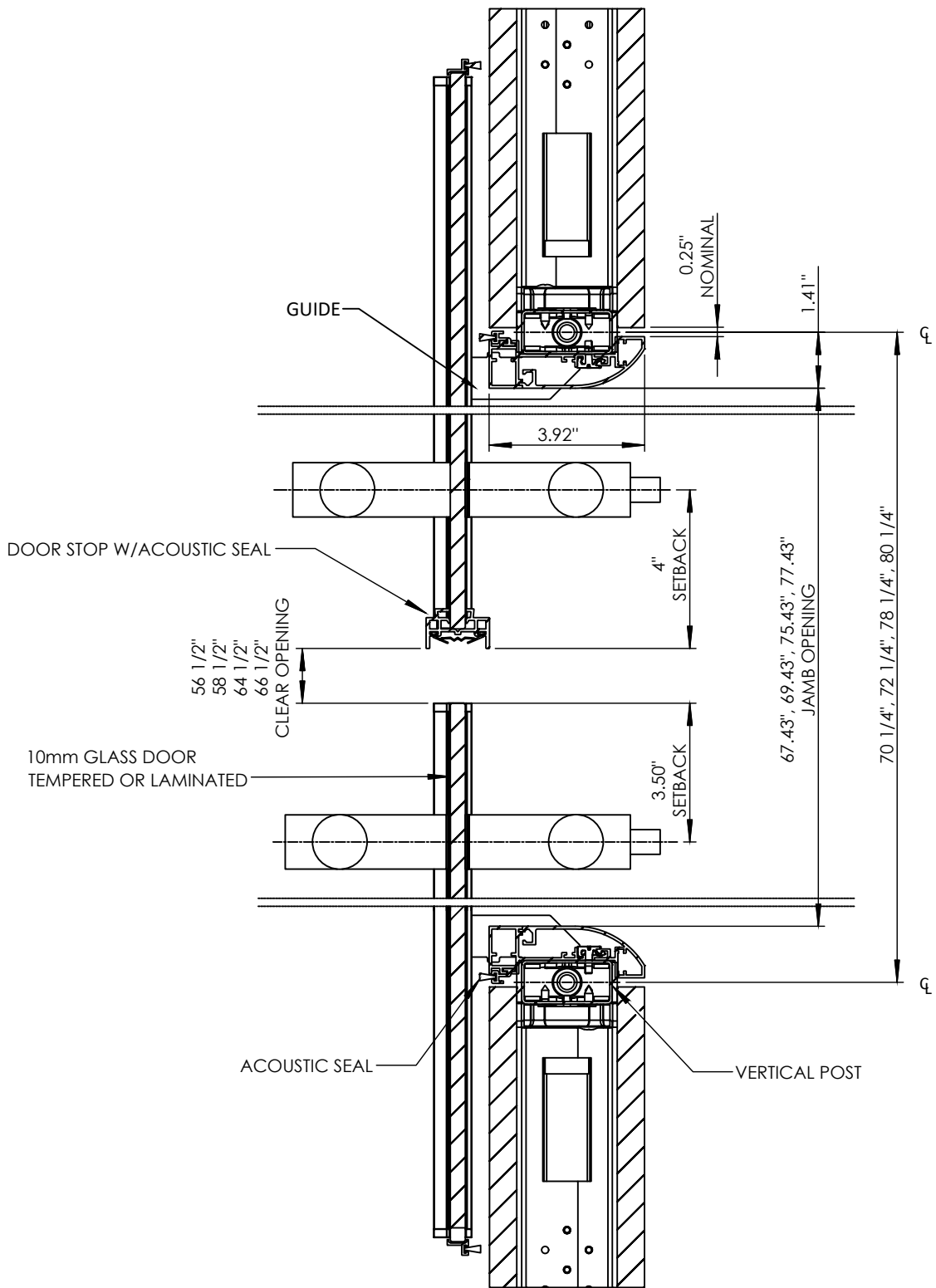
REV02

B32

This drawing is the property of Teknion Limited and is subject to return upon demand. It must not be copied or reproduced in any manner, nor submitted to any outside parties for examination without Teknion consent. This drawing must not be scaled, or used for construction purposes.

www.teknion.com

**teknion**



**1** EXTERIOR GLASS SLIDING DOOR WITH LOCKING  
 FLOOR PULL AND ROUND JAMB

DOOR PACKAGES

1'-0"=1'-0"

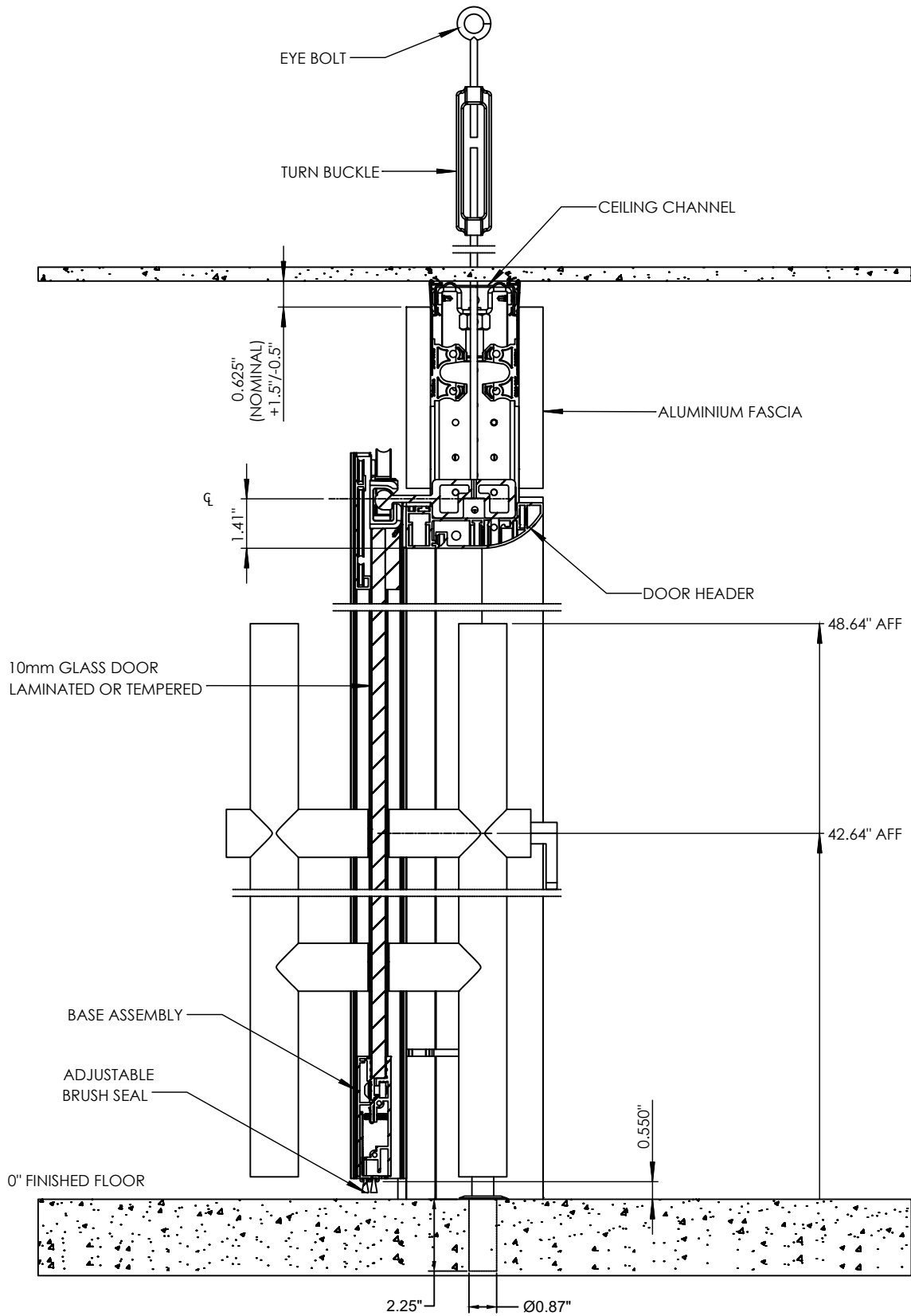
ALTOS DETAILING PACKAGE

MAR 01, 2024

REV02

B33

This drawing is the property of Teknion Limited and is subject to return upon demand. It must not be copied or reproduced in any manner, nor submitted to any outside parties for examination without Teknion consent. This drawing must not be scaled, or used for construction purposes.



**1** EXTERIOR GLASS SLIDING DOOR WITH LOCKING  
FLOOR PULL AND ROUND JAMB

DOOR PACKAGES

1'-0"=1'-0"

ALTOS DETAILING PACKAGE

MAR 01, 2024

REV02

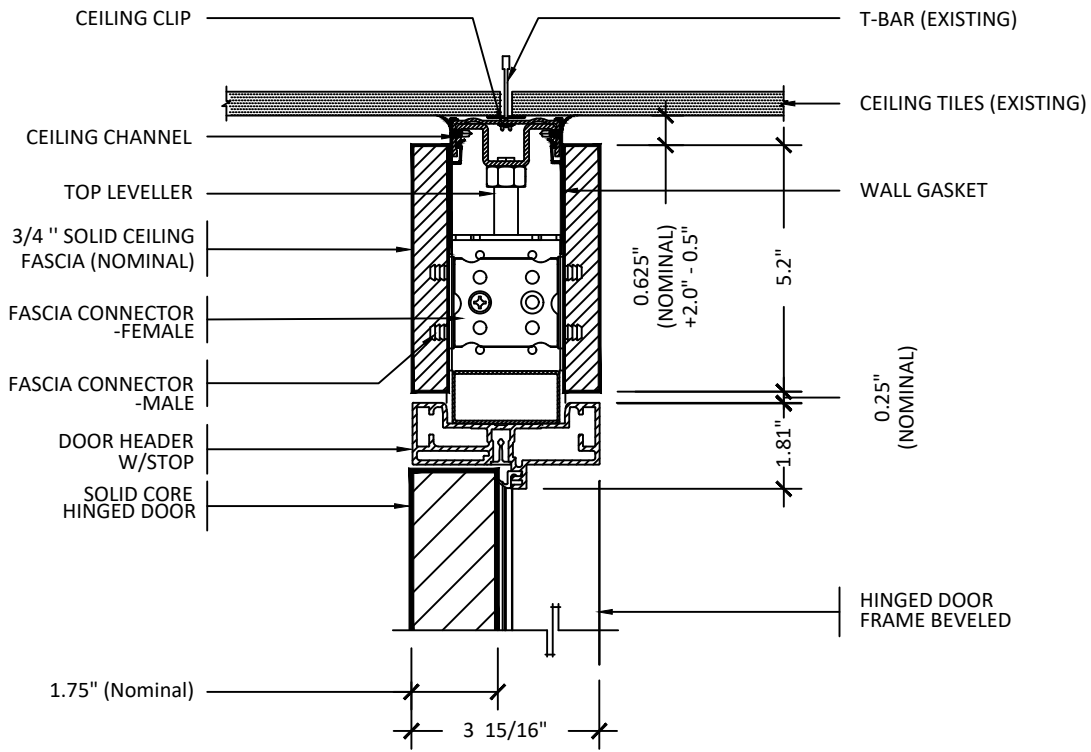
B34

This drawing is the property of Teknion Limited and is subject to return upon demand. It must not be copied or reproduced in any manner, nor submitted to any outside parties for examination without Teknion consent. This drawing must not be scaled, or used for construction purposes.

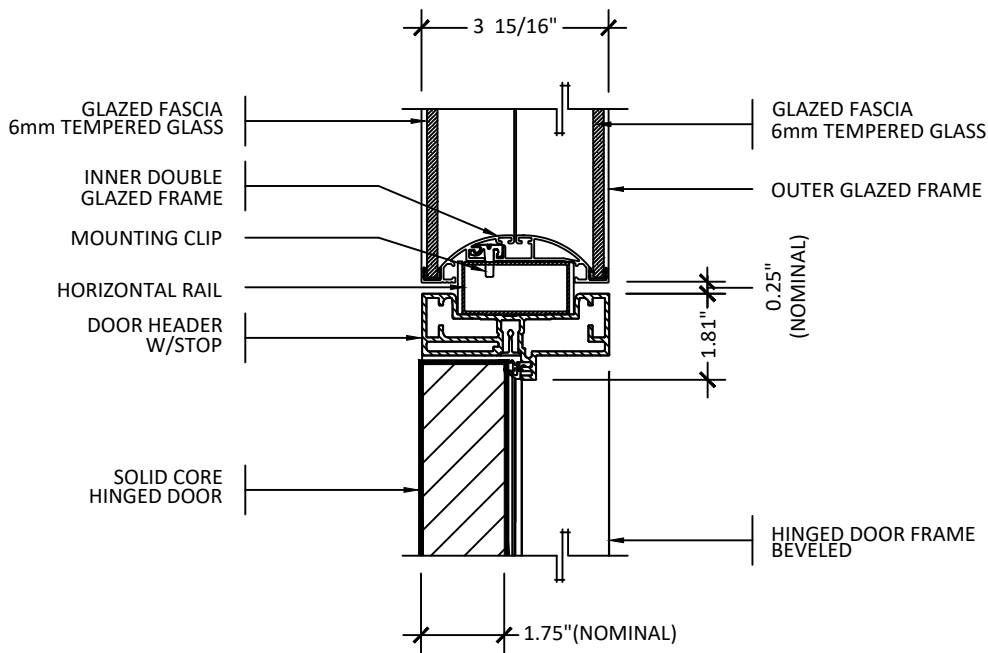
www.teknion.com

**teknion**

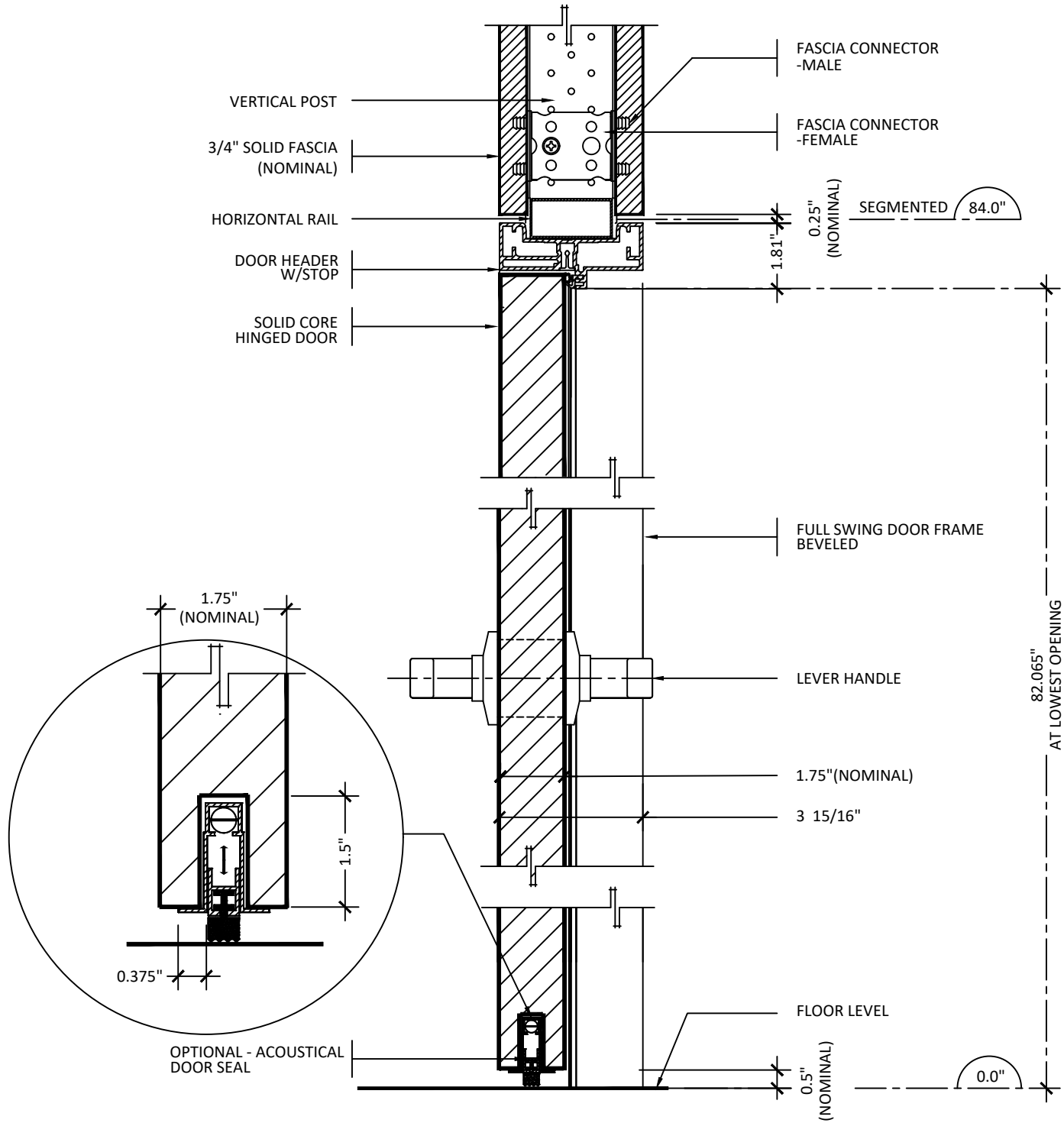




**1** SECTION THROUGH FULL HEIGHT HINGED DOOR  
HEADER AT CEILING FASCIA



**2** SEGMENTED DOOR HEADER AND DOUBLE GLAZED  
TRANSOM



**1 SECTION THROUGH HINGED DOOR / SEGMENTED HEIGHT**

DOOR PACKAGES

1'-0"=1'-0"

ALTOS DETAILING PACKAGE

MAR 01, 2024

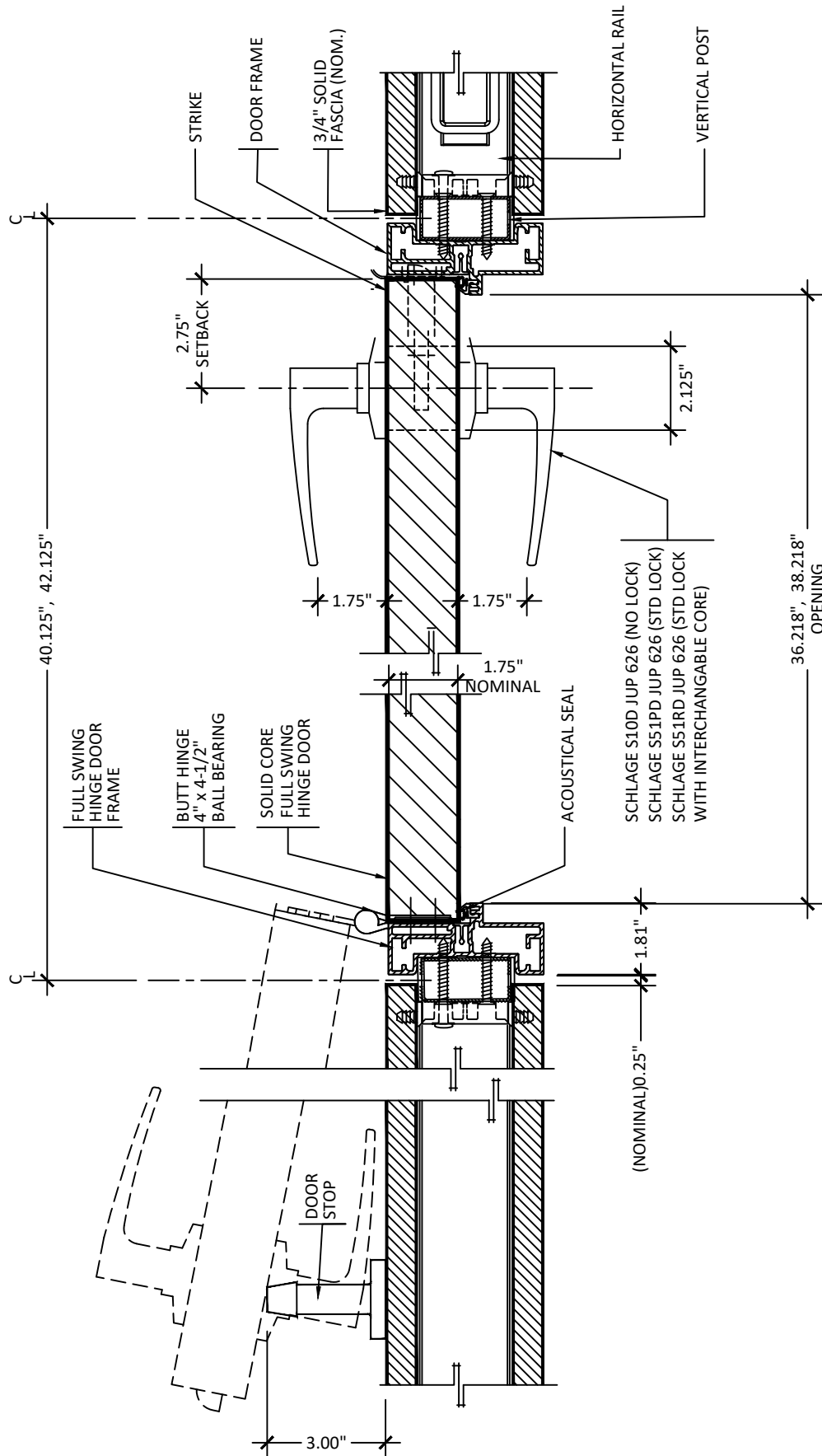
REV02

B36

This drawing is the property of Teknion Limited and is subject to return upon demand. It must not be copied or reproduced in any manner, nor submitted to any outside parties for examination without Teknion consent. This drawing must not be scaled, or used for construction purposes..

www.teknion.com

**teknion**



SECTION THROUGH HINGED DOOR JAMB

1

DOOR PACKAGES

1'-0"=1'-0"

ALTOS DETAILING PACKAGE

MAR 01, 2024

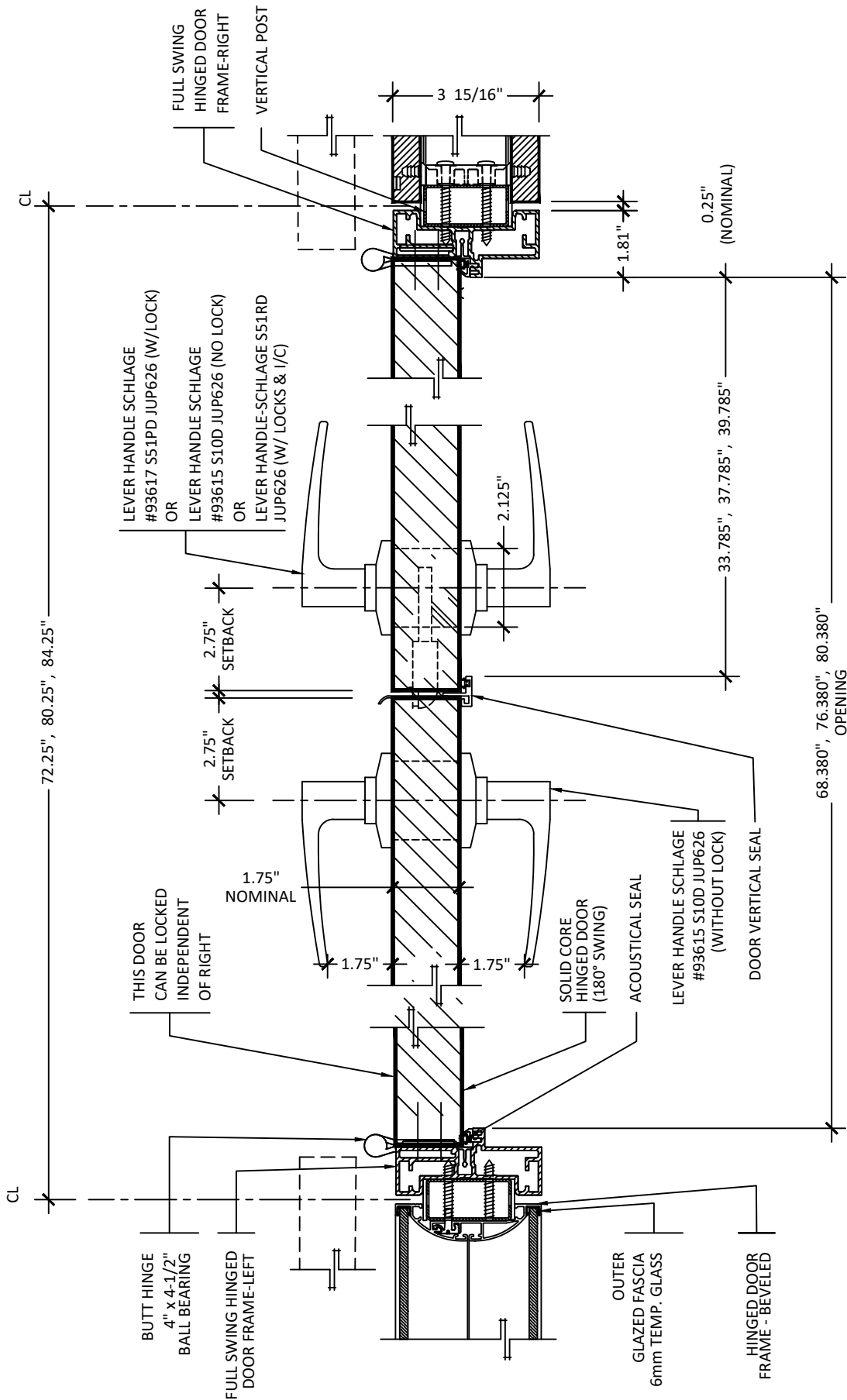
REV02

B37

This drawing is the property of Teknion Limited and is subject to return upon demand. It must not be copied or reproduced in any manner, nor submitted to any outside parties for examination without Teknion consent. This drawing must not be scaled, or used for construction purposes.

www.teknion.com

teknion



SECTION THROUGH HINGED DOUBLE DOOR JAMB

1

DOOR PACKAGES

1'-0"=1'-0"

ALTOS DETAILING PACKAGE

MAR 01, 2024

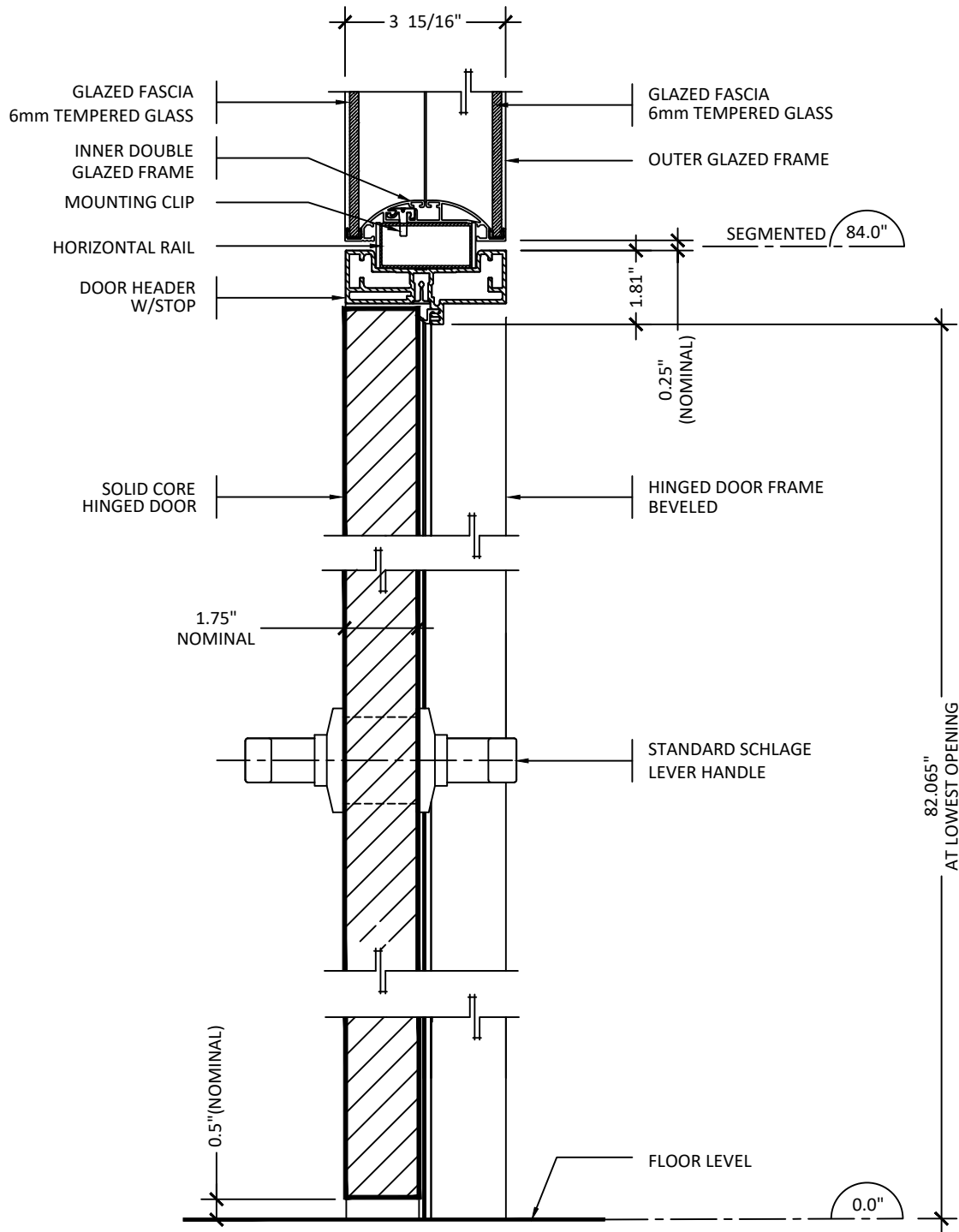
REV02

B38

This drawing is the property of Teknion Limited and is subject to return upon demand. It must not be copied or reproduced in any manner, nor submitted to any outside parties for examination without Teknion consent. This drawing must not be scaled, or used for construction purposes..

www.teknion.com

teknion



1 SECTION THROUGH HINGED DOUBLE DOOR

DOOR PACKAGES

1'-0"=1'-0"

ALTOS DETAILING PACKAGE

MAR 01, 2024

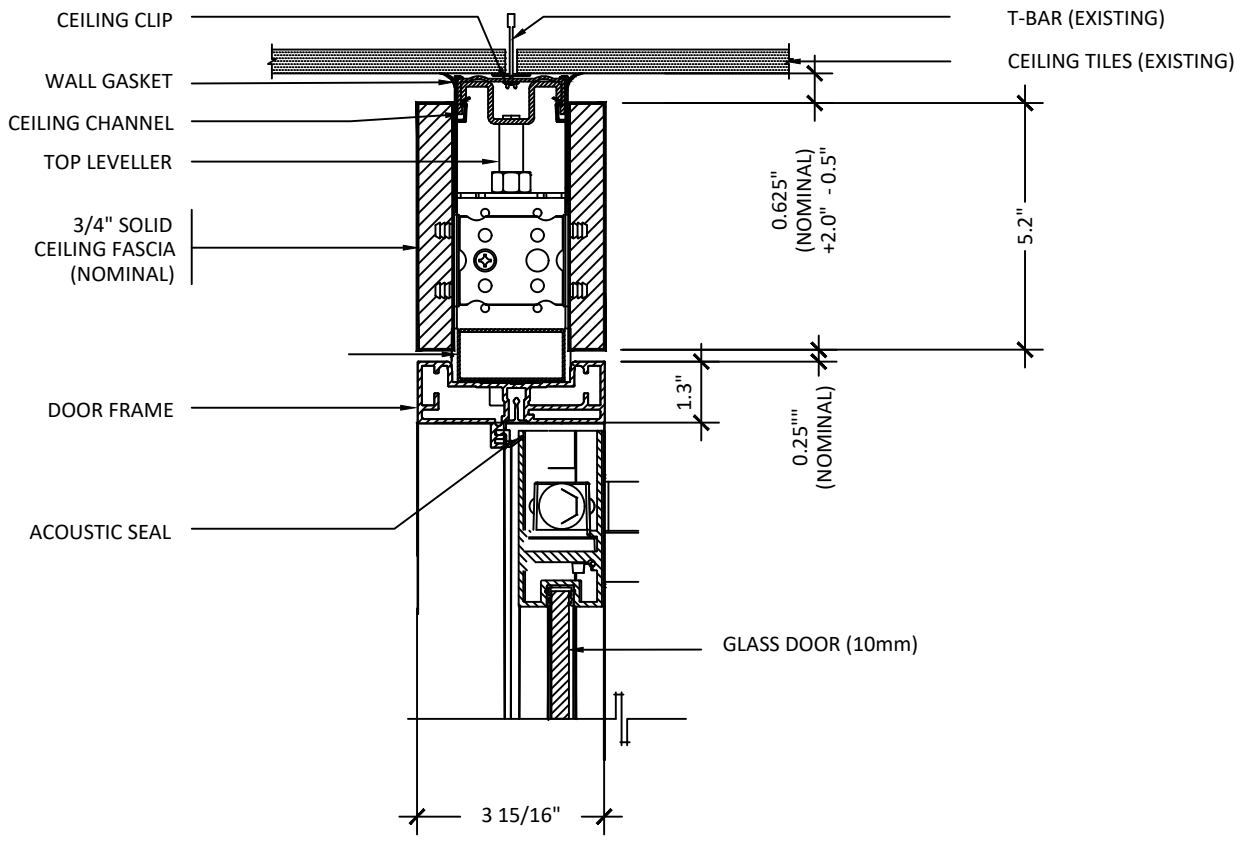
REV02

B39

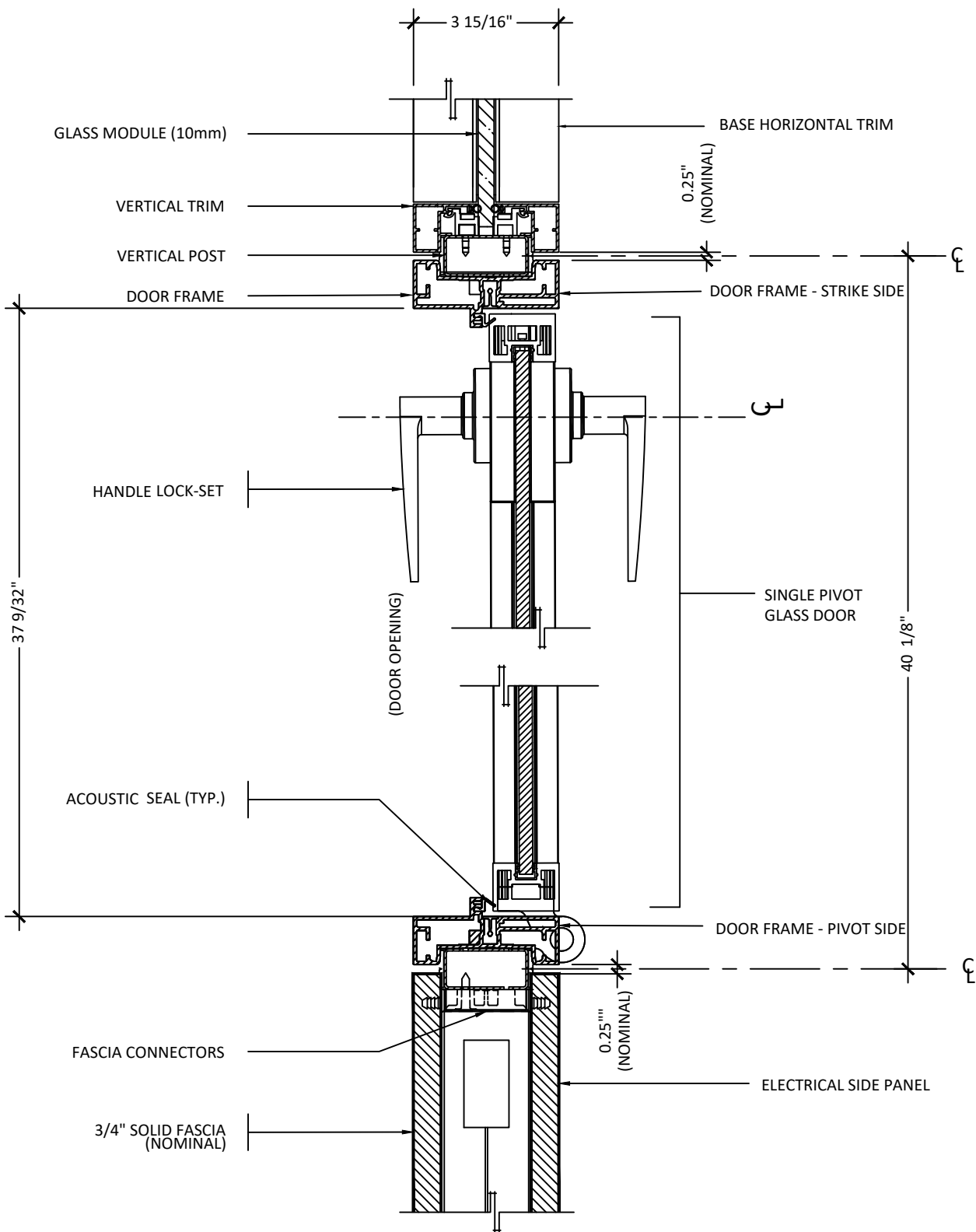
This drawing is the property of Teknion Limited and is subject to return upon demand. It must not be copied or reproduced in any manner, nor submitted to any outside parties for examination without Teknion consent. This drawing must not be scaled, or used for construction purposes..

www.teknion.com

teknion



**1 SECTION THROUGH PIVOT DOOR HEADER**



SECTION THROUGH PIVOT DOOR JAMB

1

HORIZONTAL SECTION THROUGH SINGLE PIVOT DOOR

DOOR PACKAGES

1'-0"=1'-0"

ALTOS DETAILING PACKAGE

MAR 01, 2024

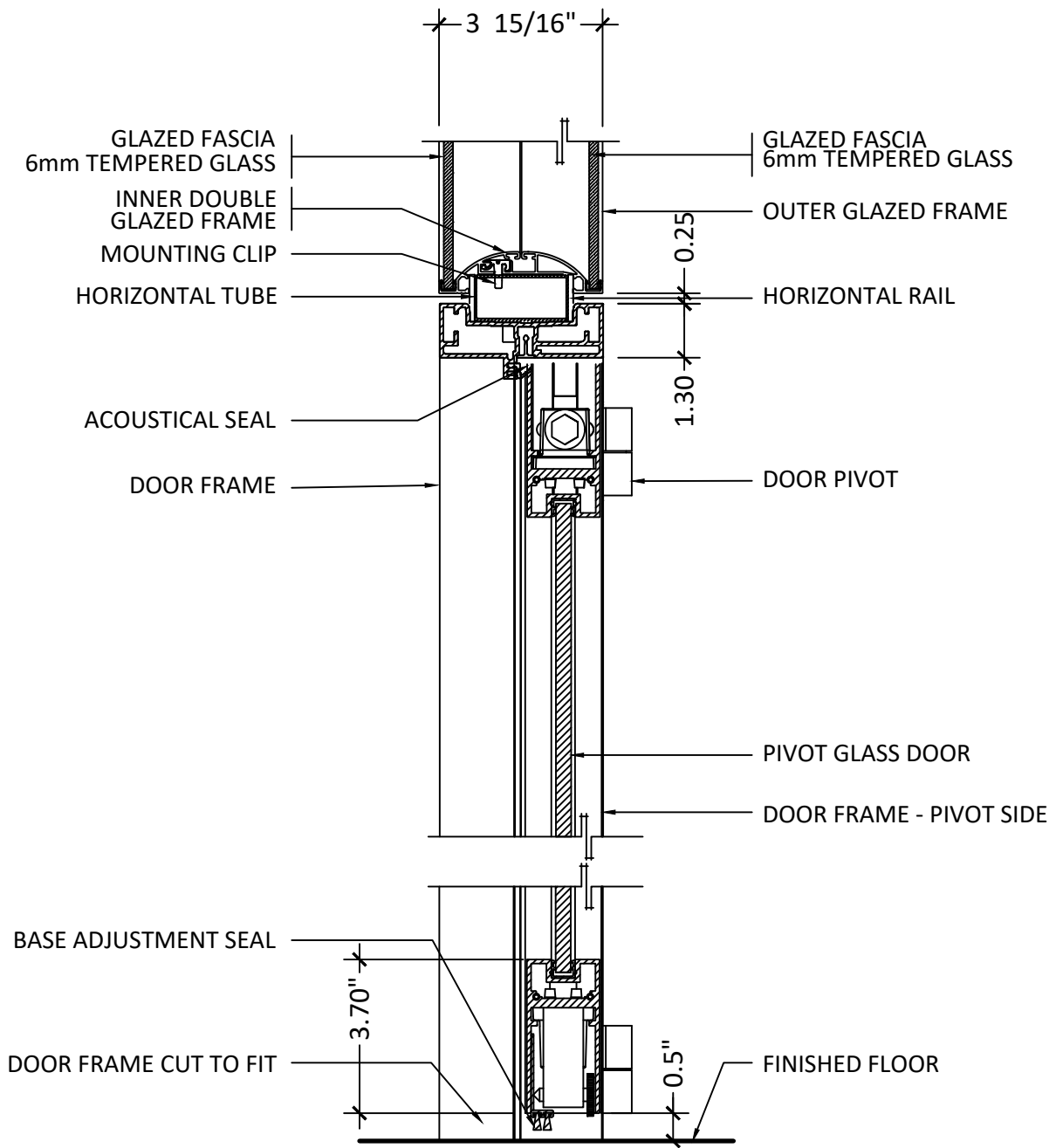
REV02

B41

This drawing is the property of Teknion Limited and is subject to return upon demand. It must not be copied or reproduced in any manner, nor submitted to any outside parties for examination without Teknion consent. This drawing must not be scaled, or used for construction purposes..

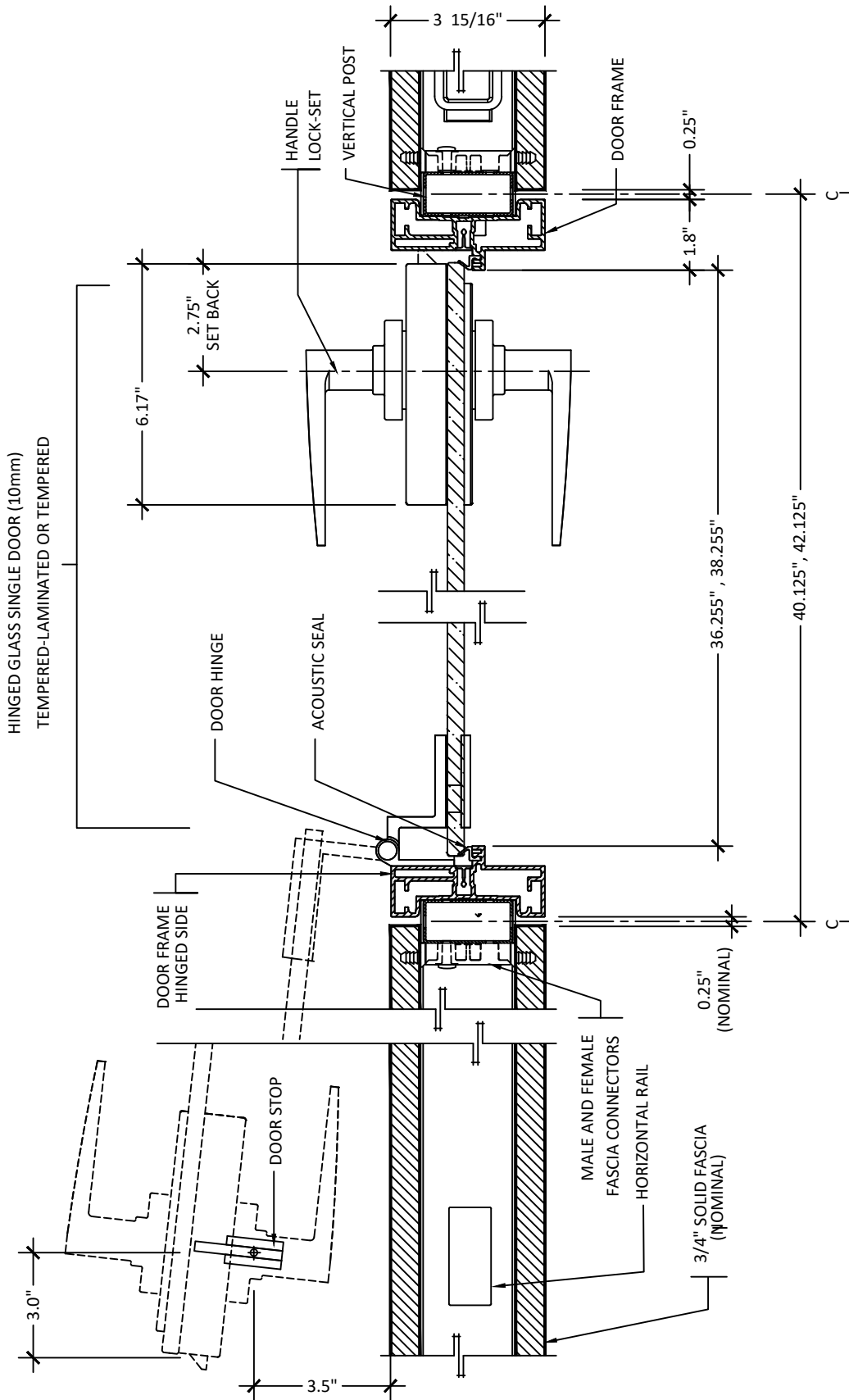
www.teknion.com

**teknion**



1 SECTION THROUGH PIVOT DOOR W/ GLAZED TRANSOM





SECTION THROUGH HINGED GLASS SINGLE DOOR

1

DOOR PACKAGES

1'-0"=1'-0"

ALTOS DETAILING PACKAGE

MAR 01, 2024

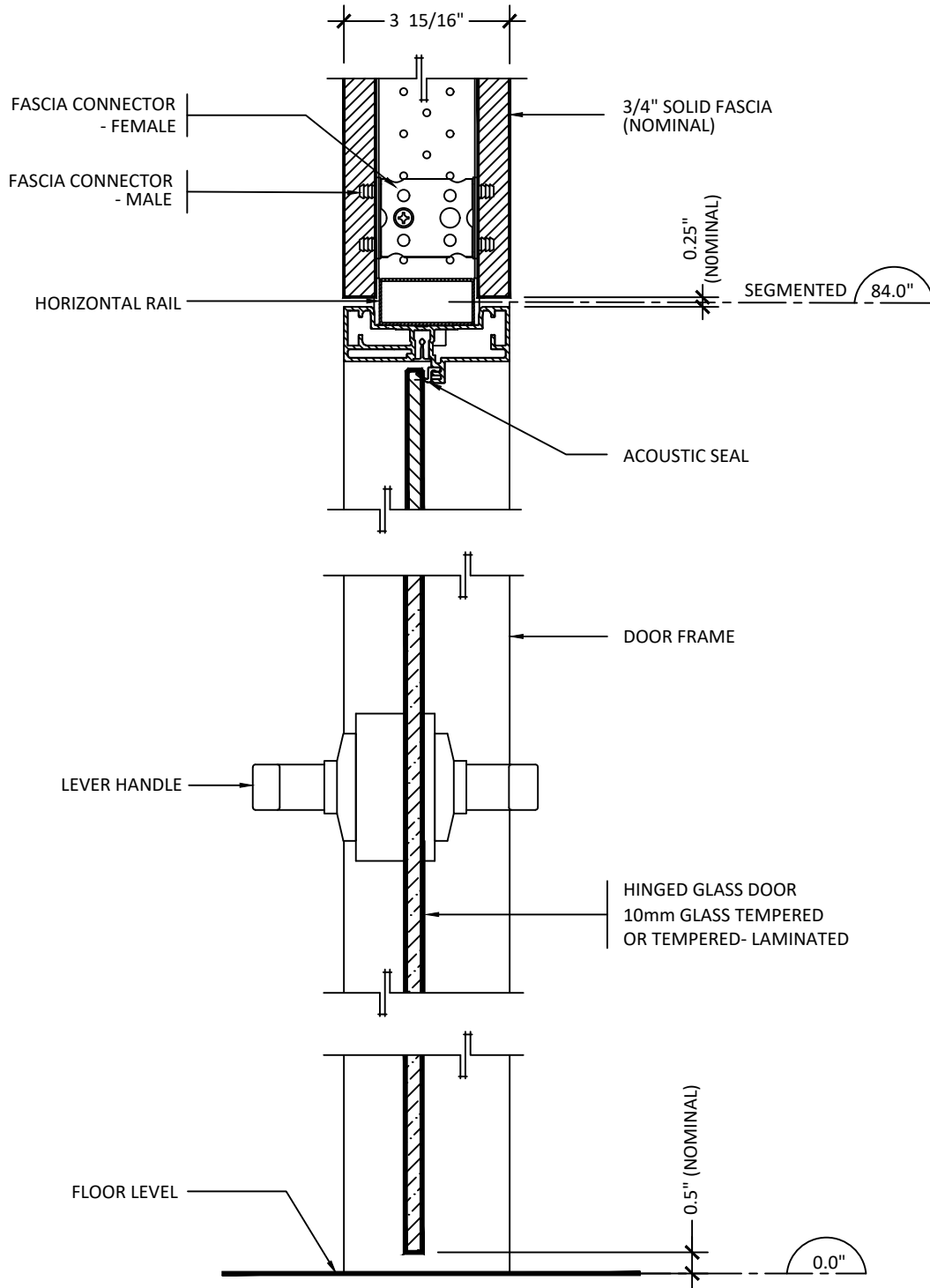
REV02

B43

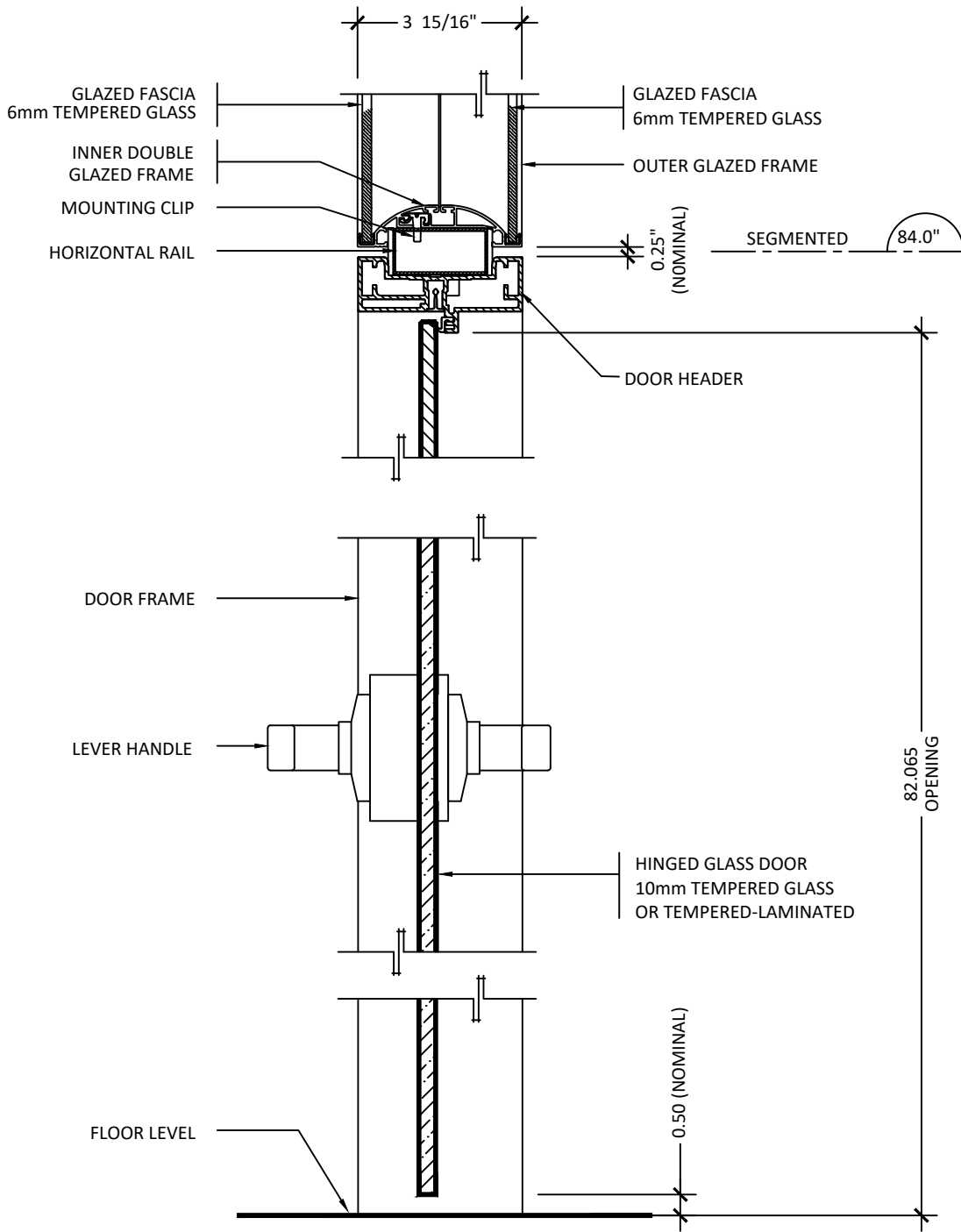
This drawing is the property of Teknion Limited and is subject to return upon demand. It must not be copied or reproduced in any manner, nor submitted to any outside parties for examination without Teknion consent. This drawing must not be scaled, or used for construction purposes..

www.teknion.com

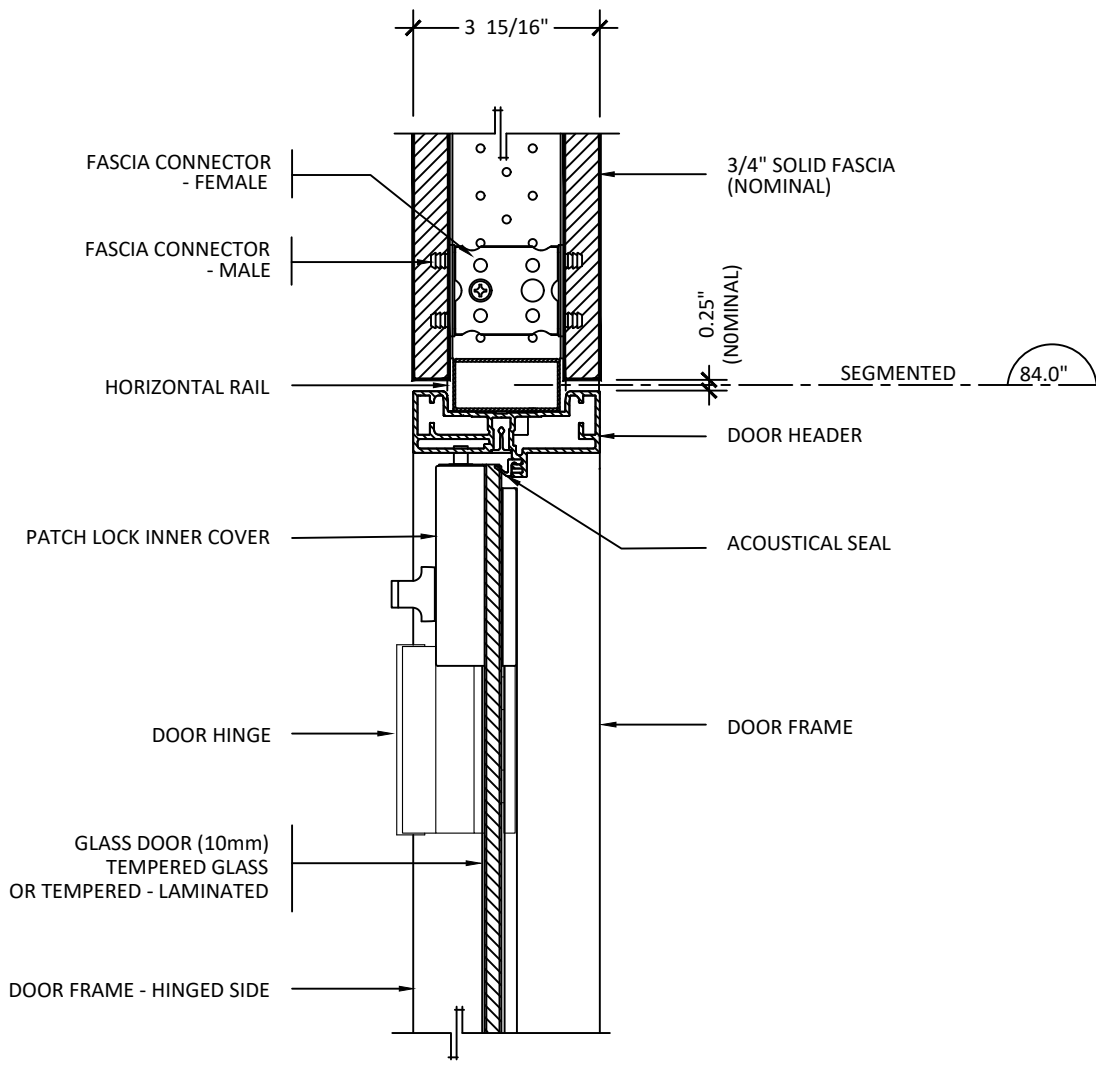




**1 SECTION THROUGH HINGED GLASS DOOR**



**1 SECTION THROUGH HINGED GLASS DOOR**



**1 VERTICAL SECTION THROUGH HINGED GLASS DOUBLE DOOR**

DOOR PACKAGES

1'-0"=1'-0"

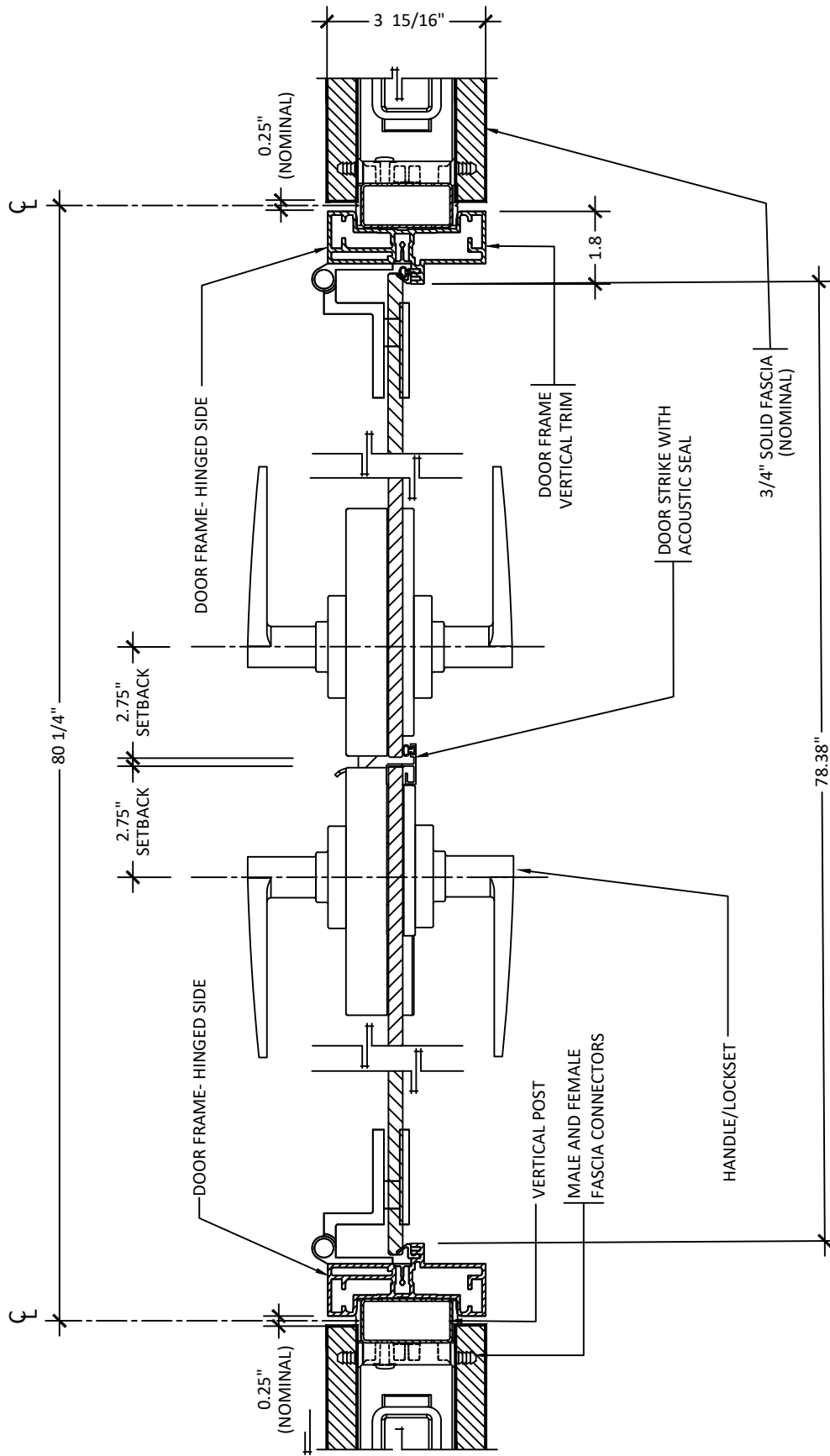
ALTOS DETAILING PACKAGE

MAR 01, 2024

REV02

B46

This drawing is the property of Teknion Limited and is subject to return upon demand. It must not be copied or reproduced in any manner, nor submitted to any outside parties for examination without Teknion consent. This drawing must not be scaled, or used for construction purposes..



DOUBLE HINGED DOOR GLASS DOOR (10mm)  
TEMPERED-LAMINATED OR TEMPERED

1 HORIZONTAL SECTION THROUGH HINGED GLASS  
DOUBLE DOOR

DOOR PACKAGES

1'-0"=1'-0"

ALTOS DETAILING PACKAGE

MAR 01, 2024

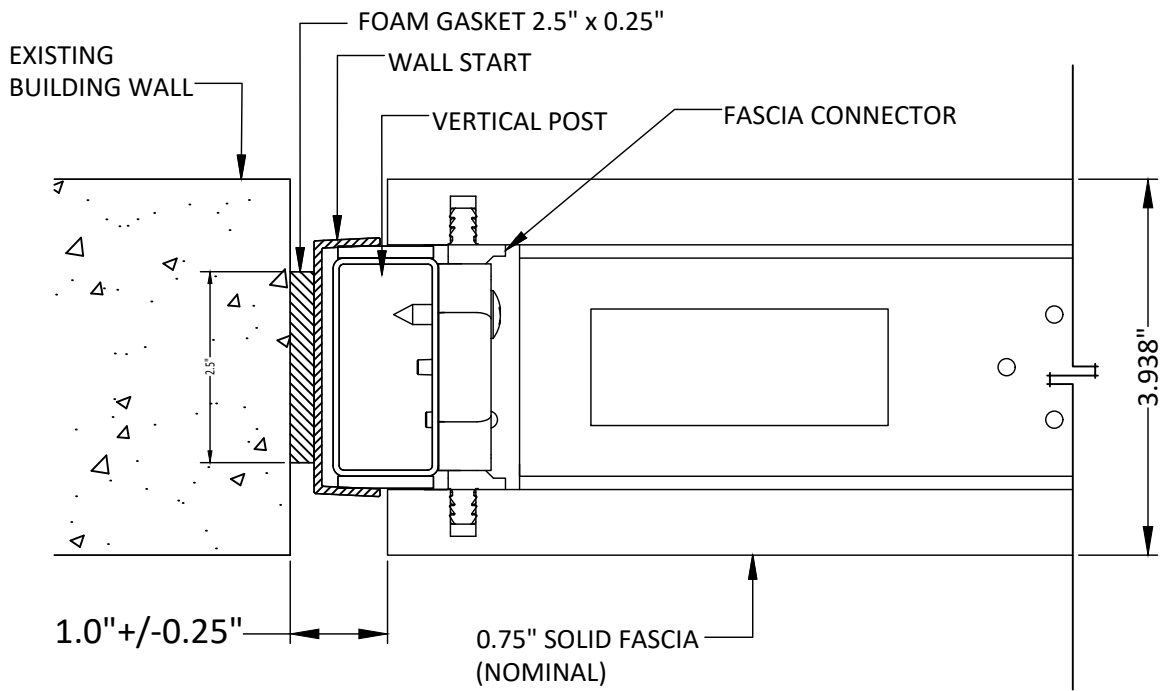
REV02

B47

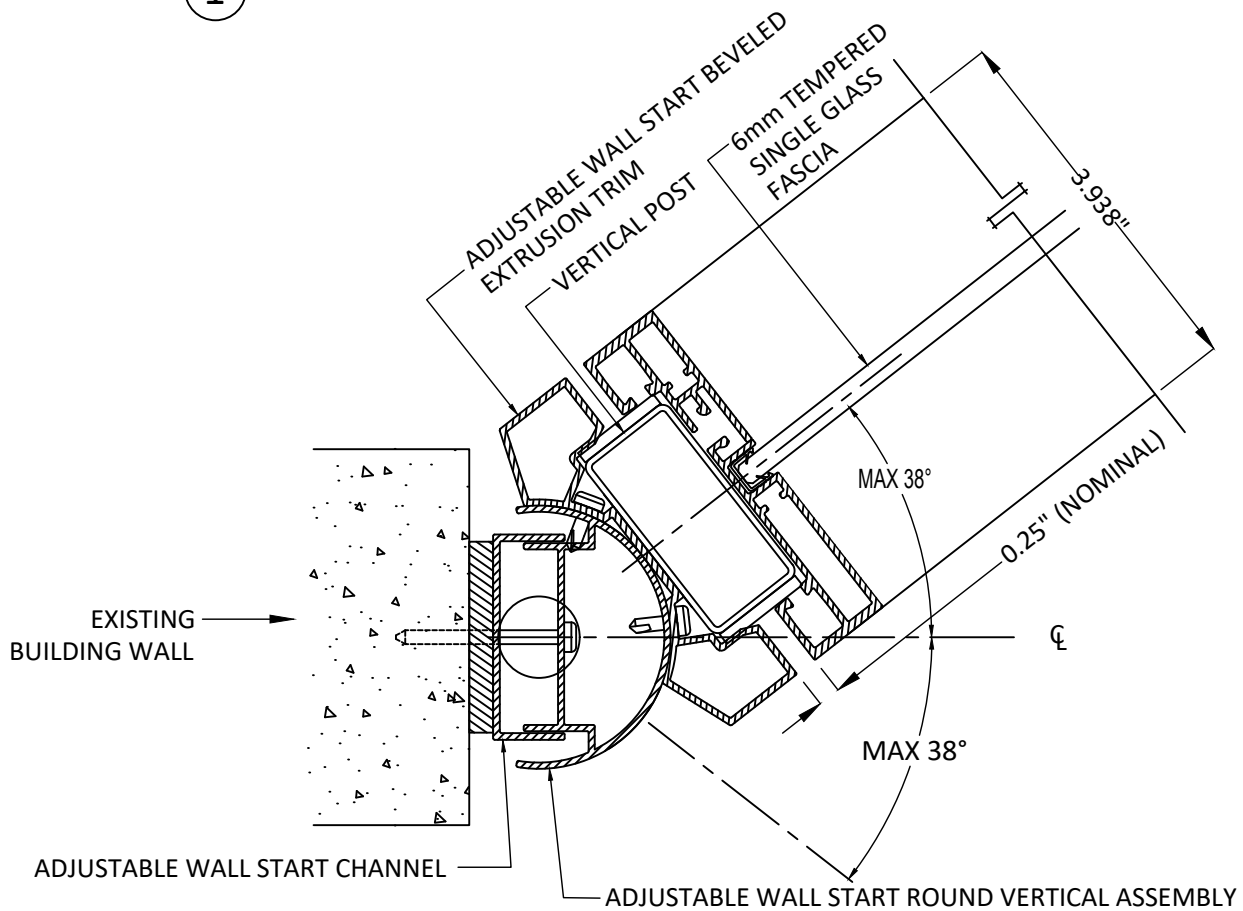
This drawing is the property of Teknion Limited and is subject to return upon demand. It must not be copied or reproduced in any manner, nor submitted to any outside parties for examination without Teknion consent. This drawing must not be scaled, or used for construction purposes.

www.teknion.com

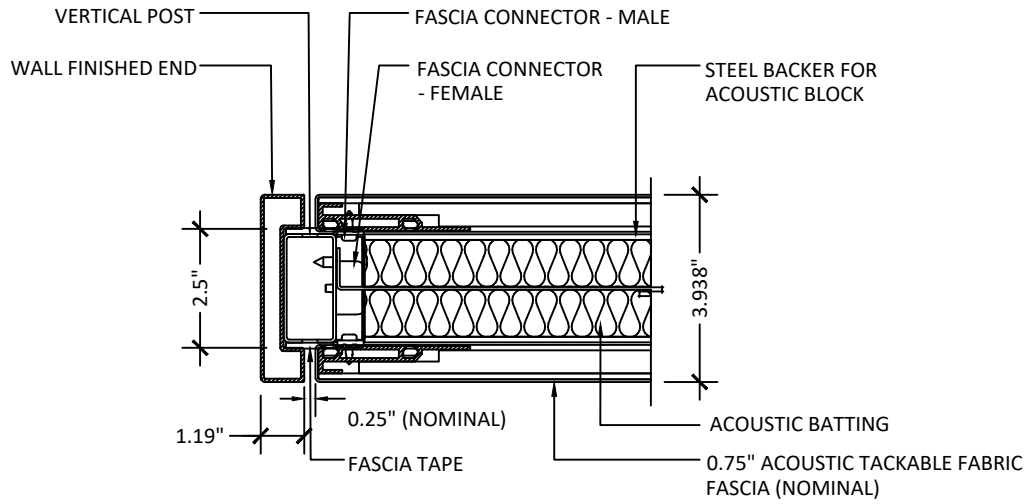
teknion



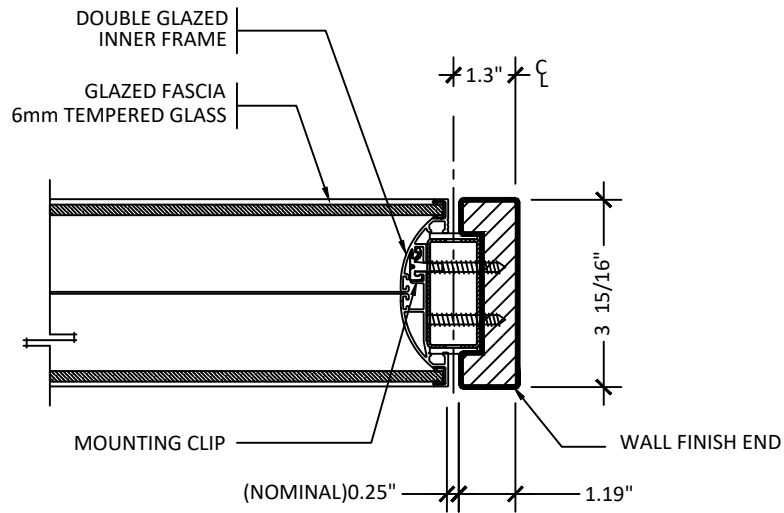
**1 WALL START AND BUILDING**



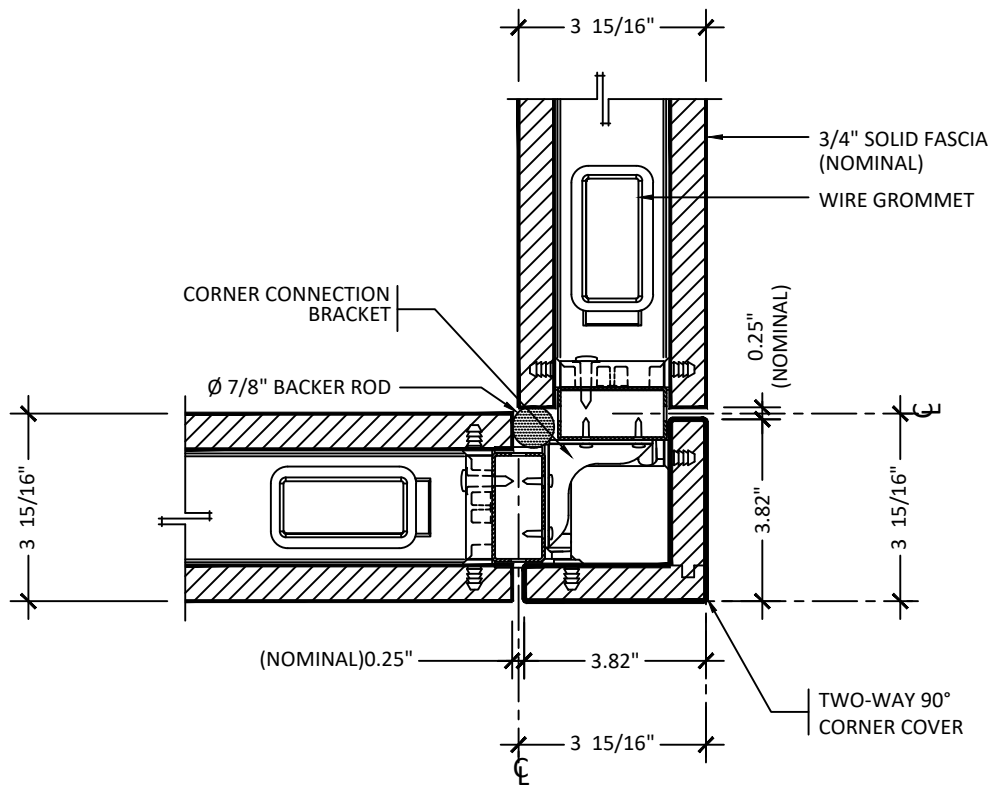
**2 VARIABLE ANGLE WALL START AND BUILDING**



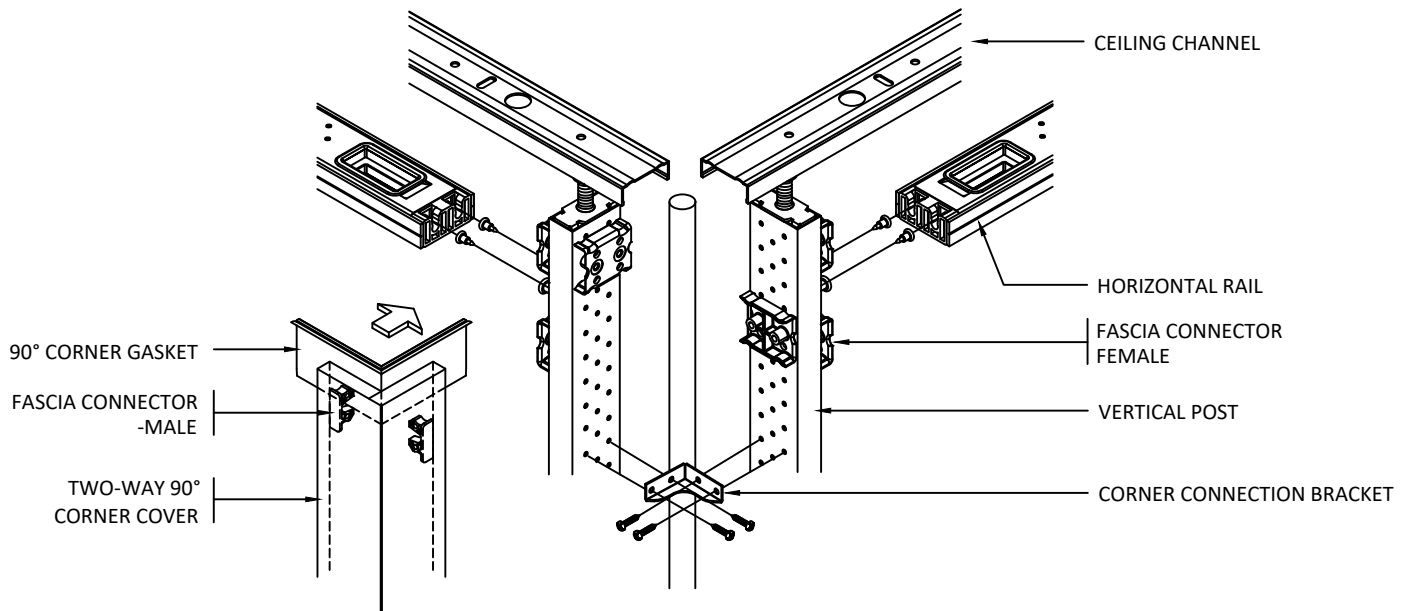
1 WALL FINISHED END



2 SECTION THROUGH WALL FINISHED END

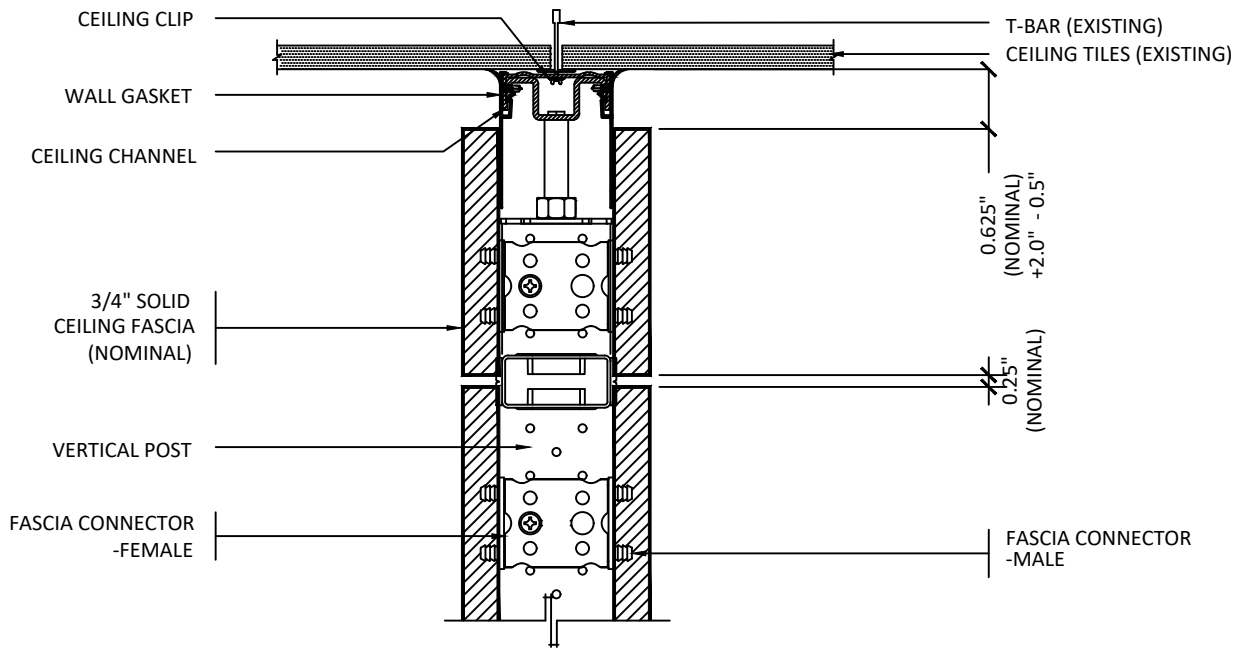


1 SECTION THROUGH TWO WAY 90° CORNER CONNECTION

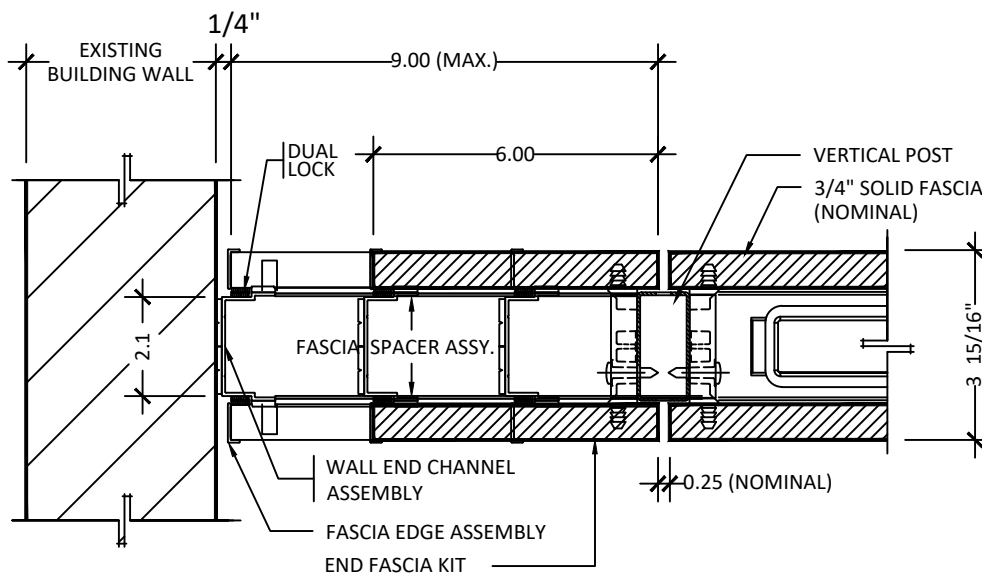


90° CORNER CONNECTION - ISOMETRIC VIEW (NTS)

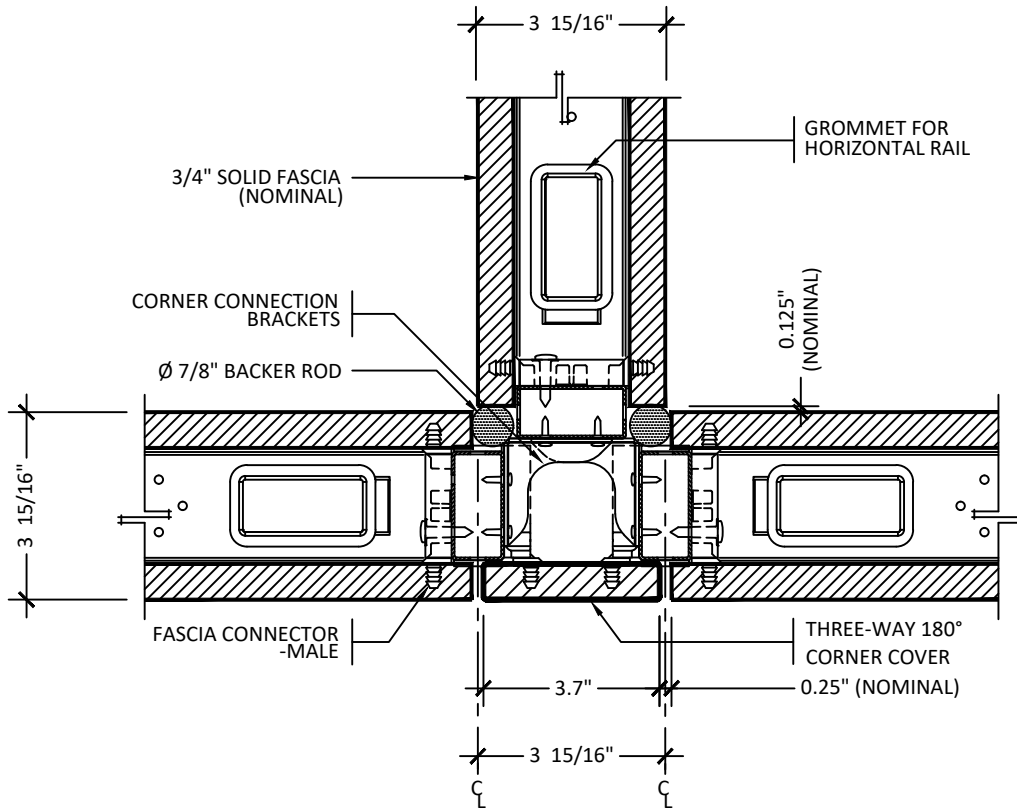




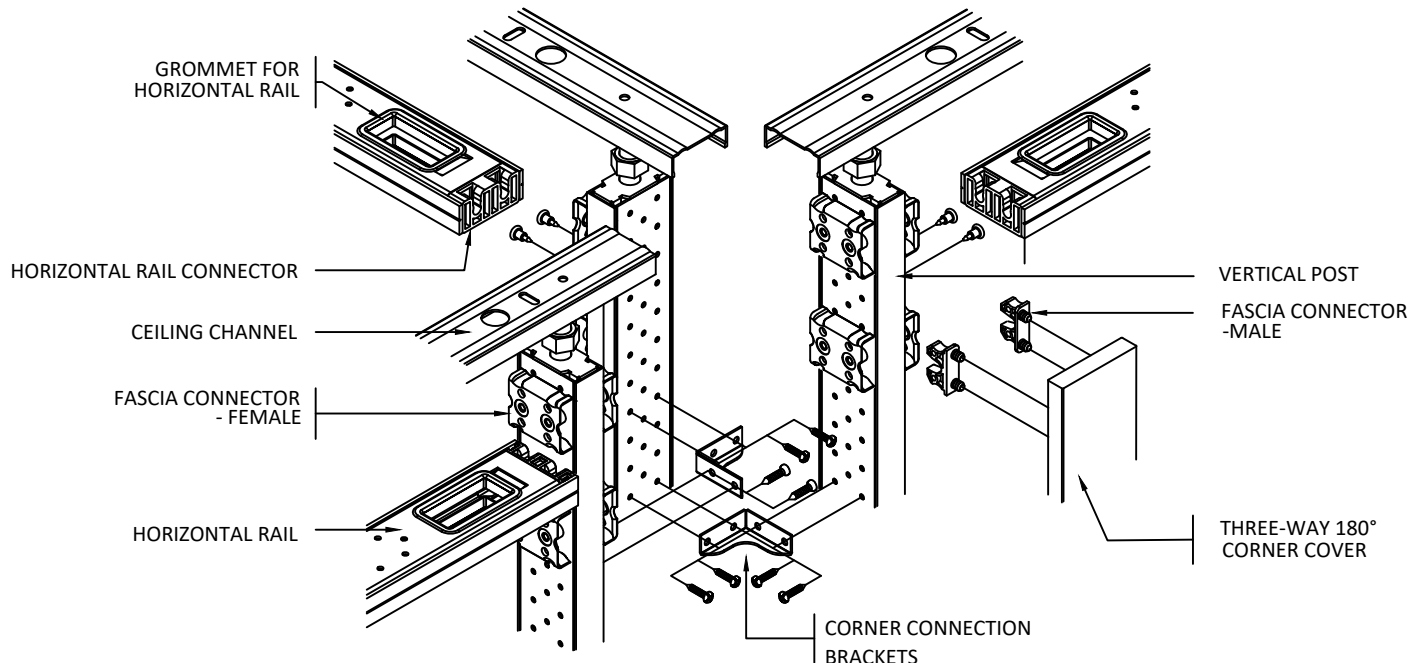
1 SECTION THROUGH TYPICAL CEILING CONNECTION

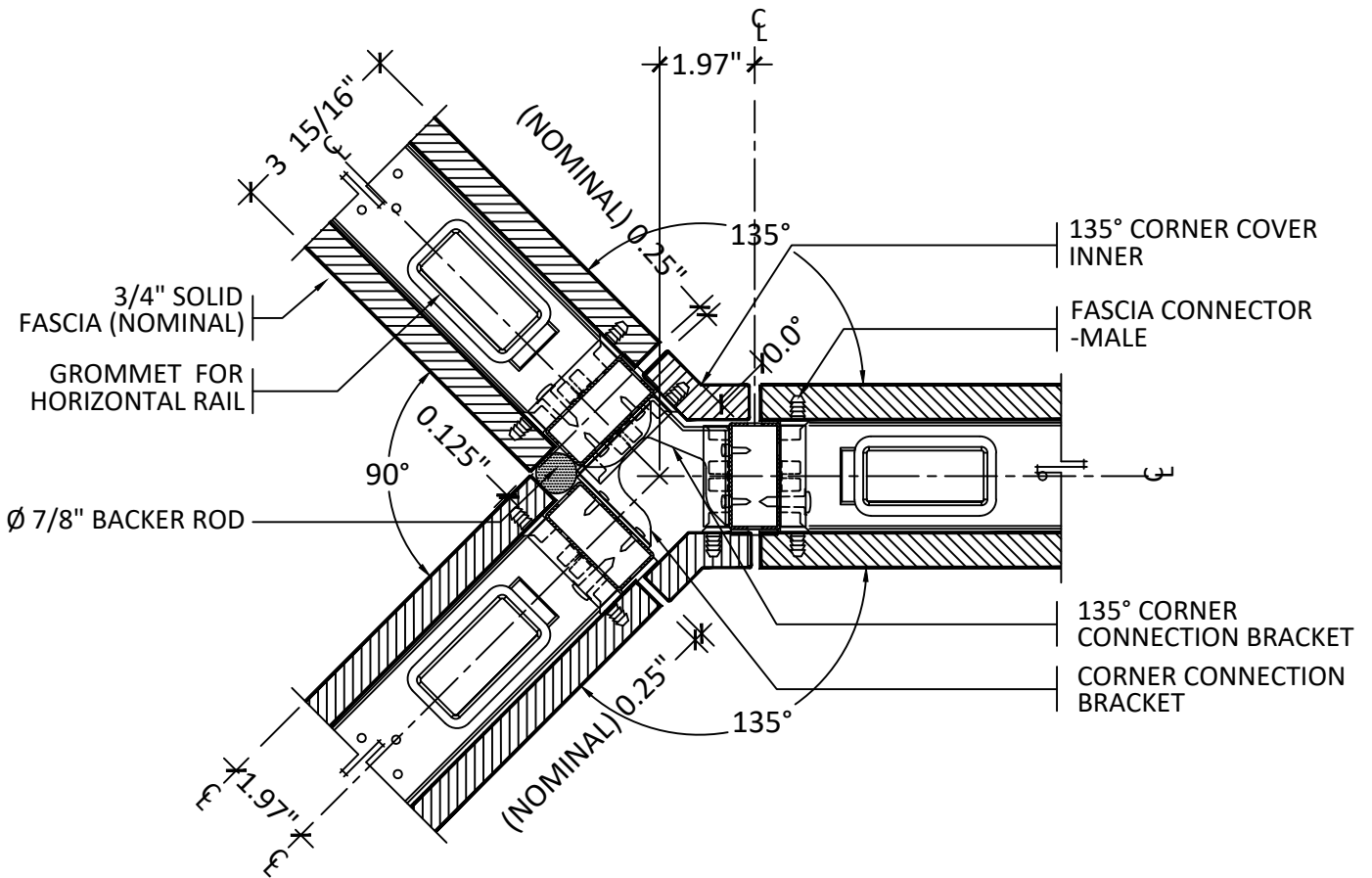


2 SECTION THROUGH 6" ADJUSTABLE WALL END

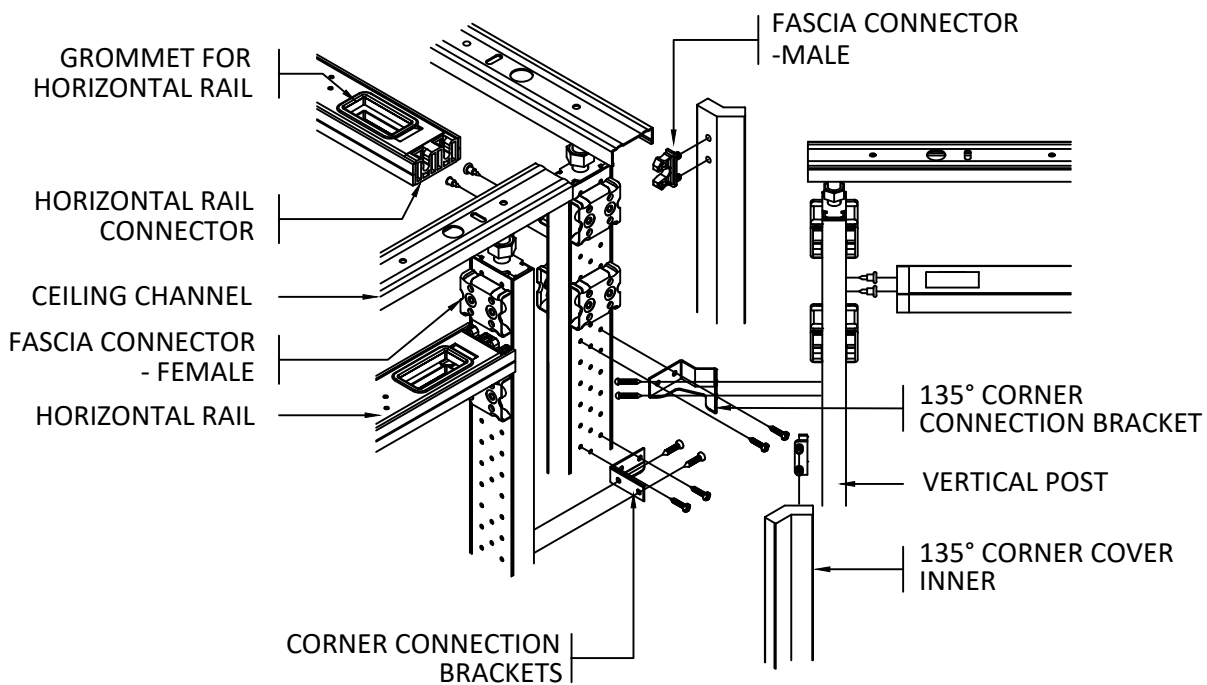


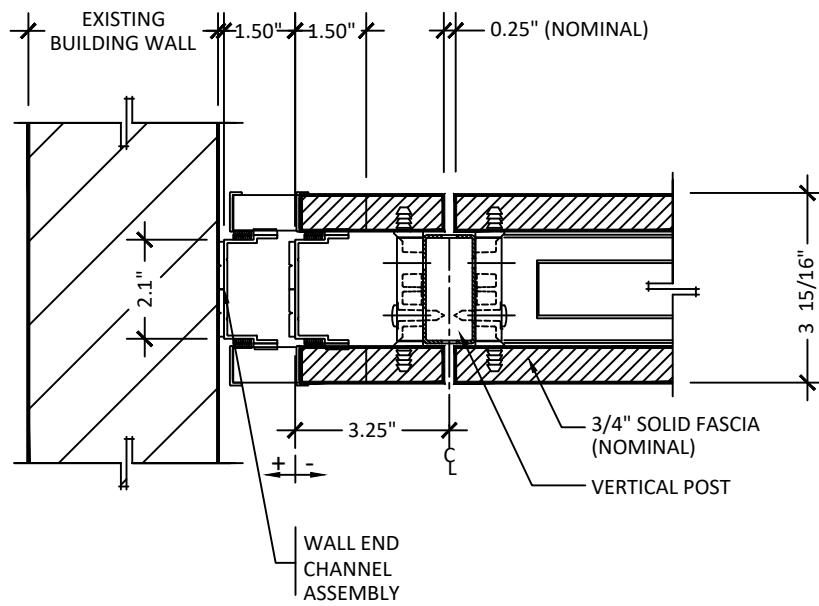
1 SECTION THROUGH THREE -WAY 180° CORNER CONNECTION



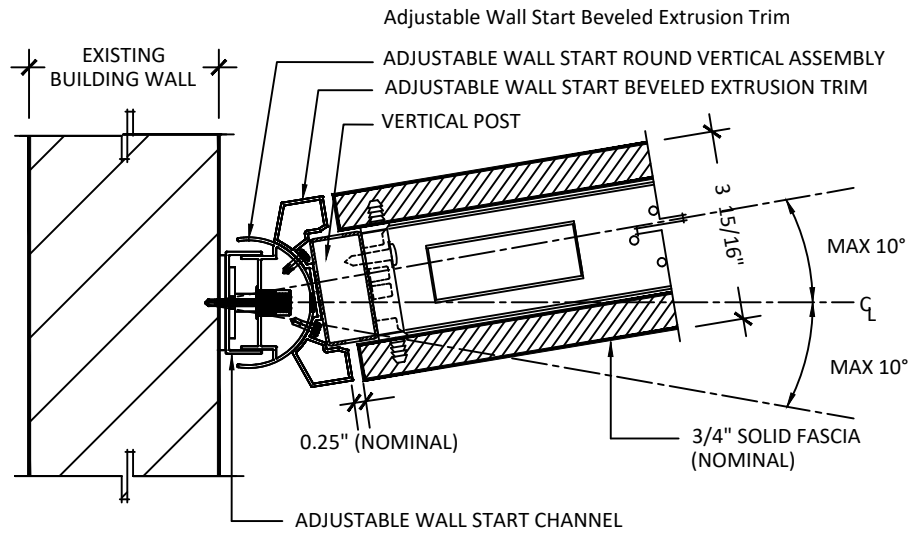


1 SECTION THROUGH THREE-WAY 135° CORNER CONNECTION

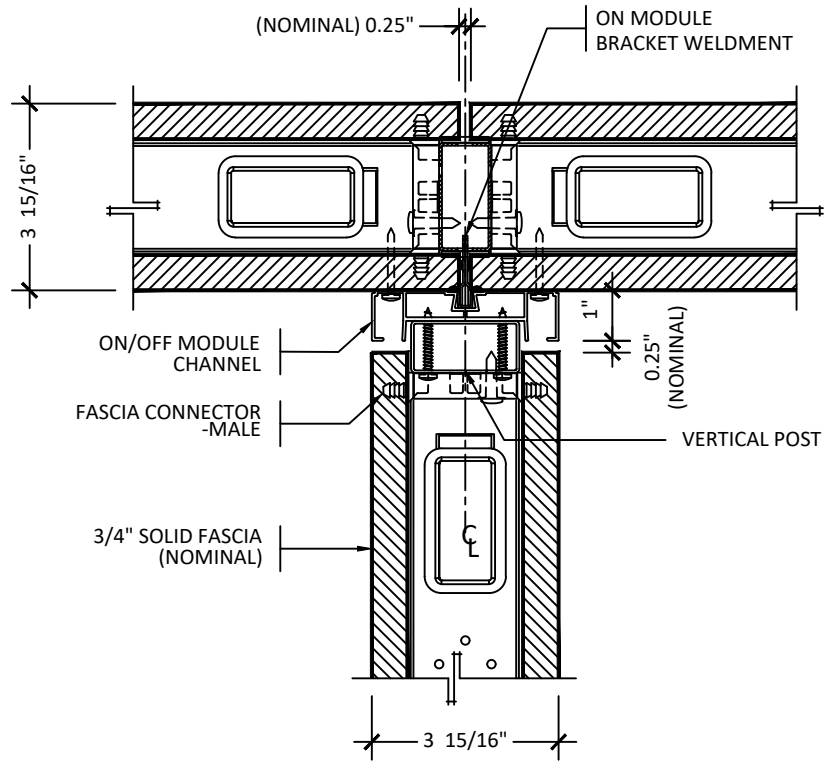




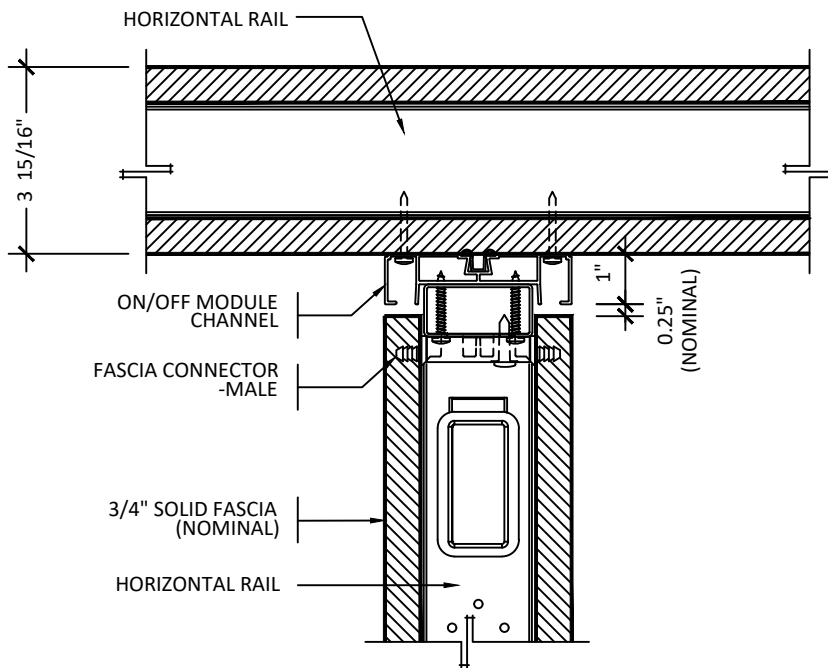
## 1 SECTION THROUGH 3" ADJUSTABLE WALL END



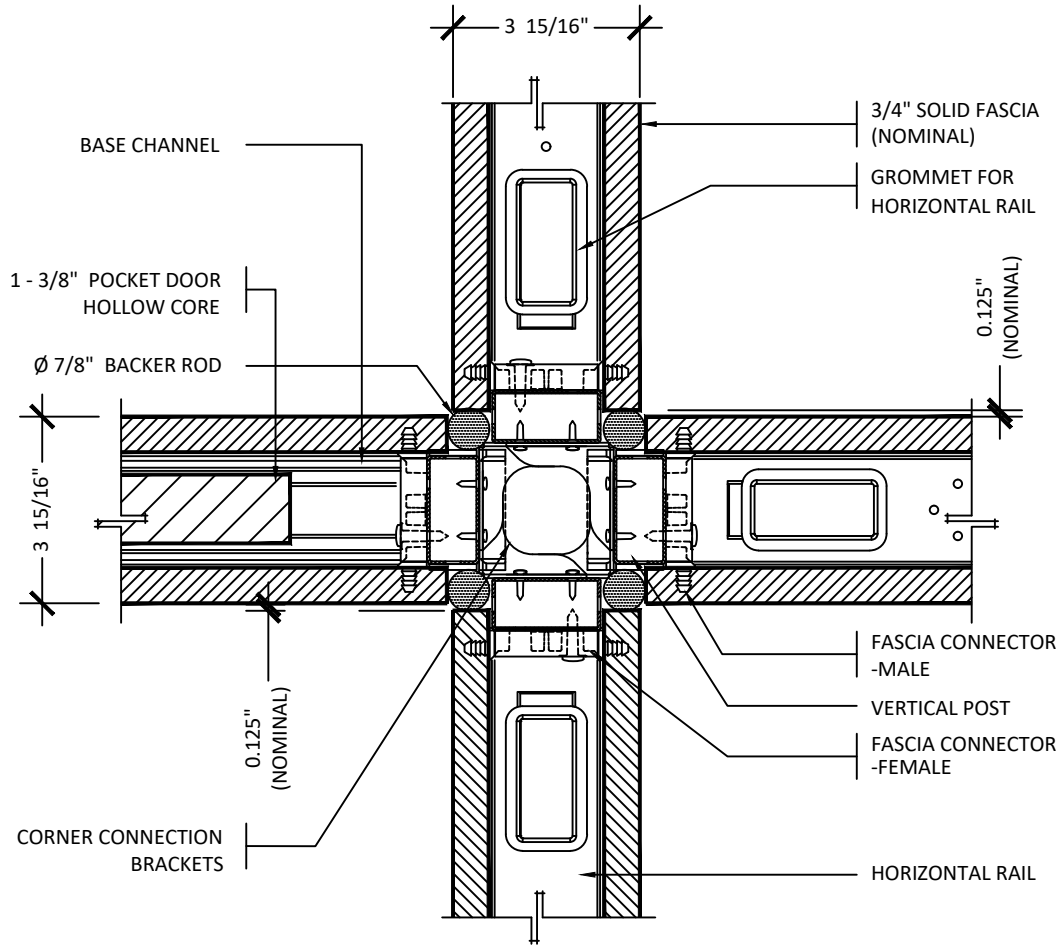
## 2 SECTION THROUGH VARIABLE ANGLE WALL START



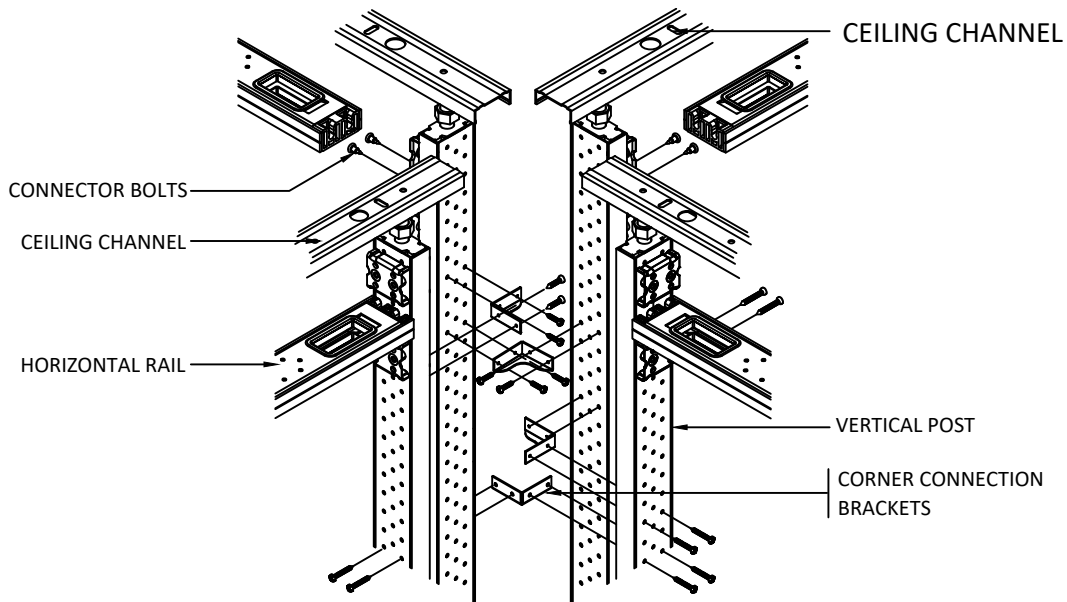
**SECTION THROUGH THREE -WAY 180° MODULE CONNECTION (ON-MODULE)**

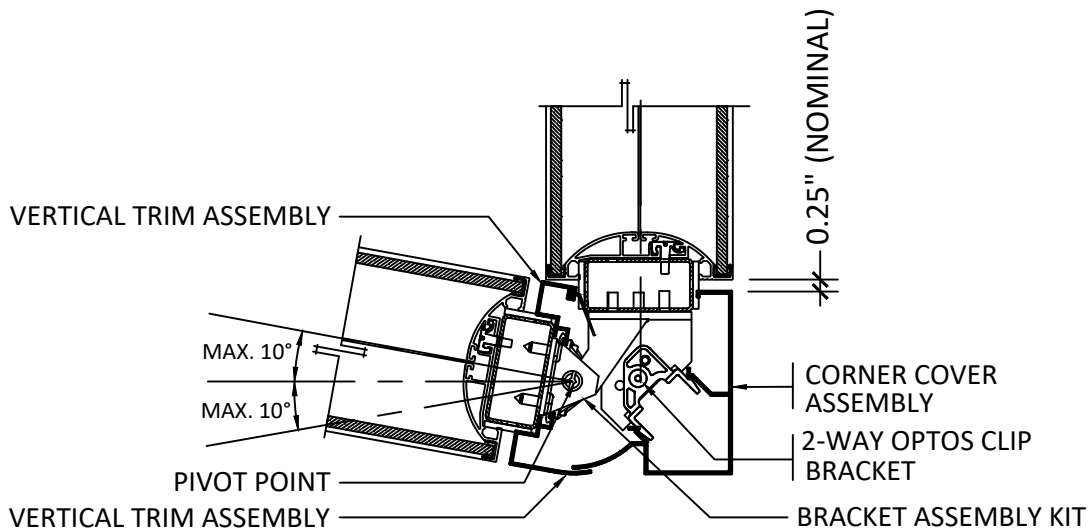


**1 SECTION THROUGH THREE -WAY 180° MODULE CONNECTION (OFF-MODULE)**

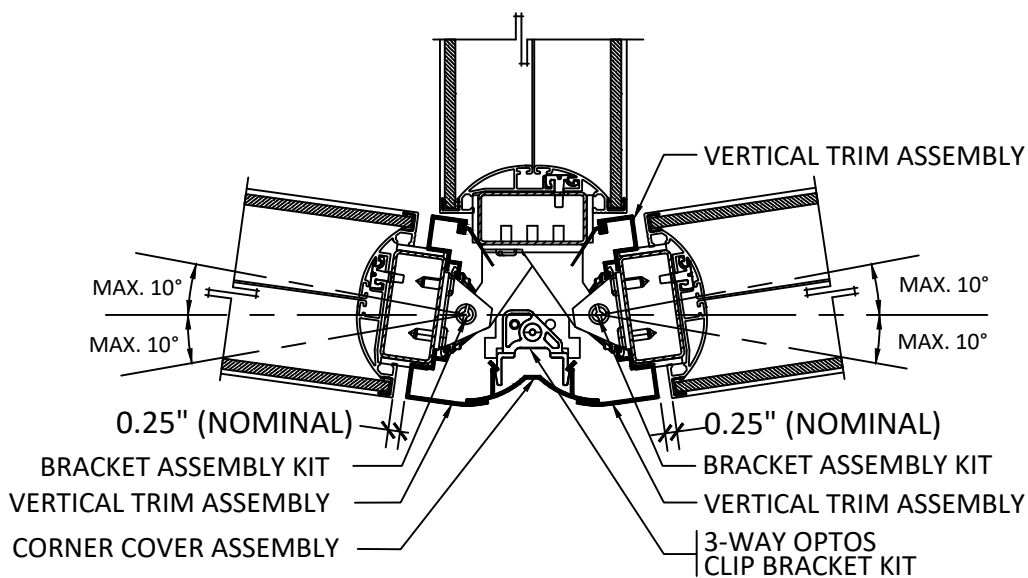


**1 SECTION THROUGH FOUR -WAY CORNER CONNECTION**

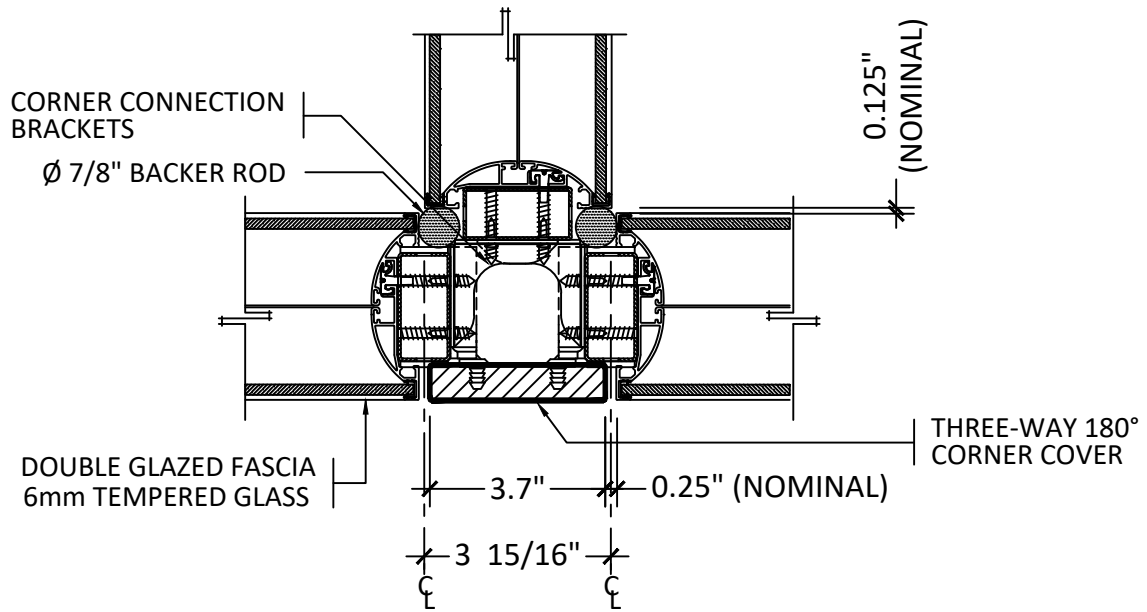




**1 SECTION THROUGH DOUBLE ARTICULATING 2-WAY CORNER CONNECTION**

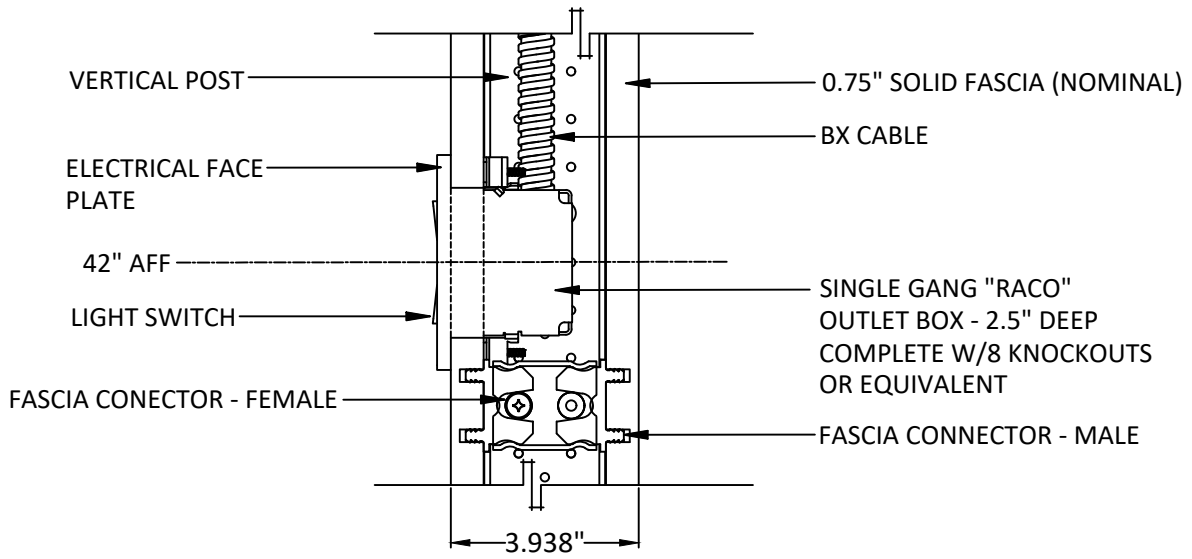


**2 SECTION THROUGH DOUBLE ARTICULATING 3-WAY CORNER CONNECTION**

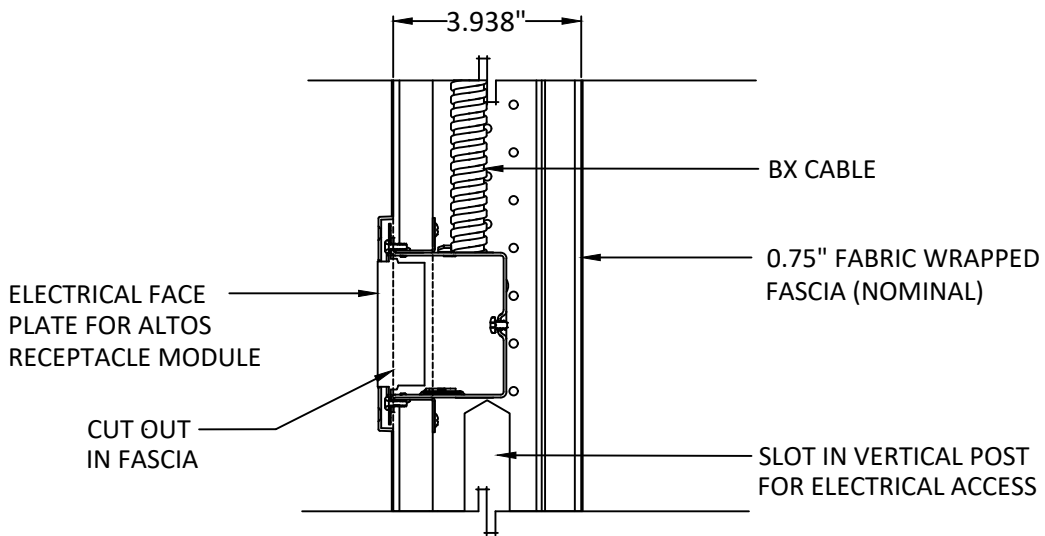


**1** SECTION THROUGH DOUBLE GLAZED THREE -WAY  
180° CORNER CONNECTION

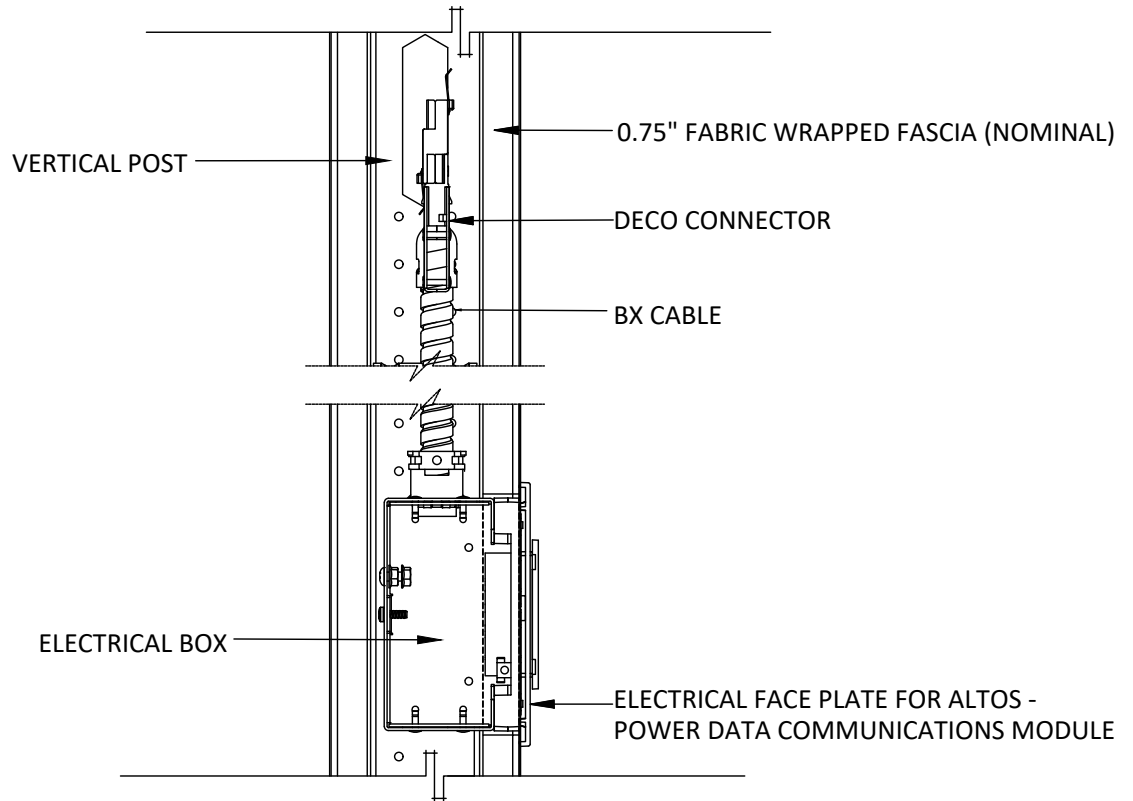




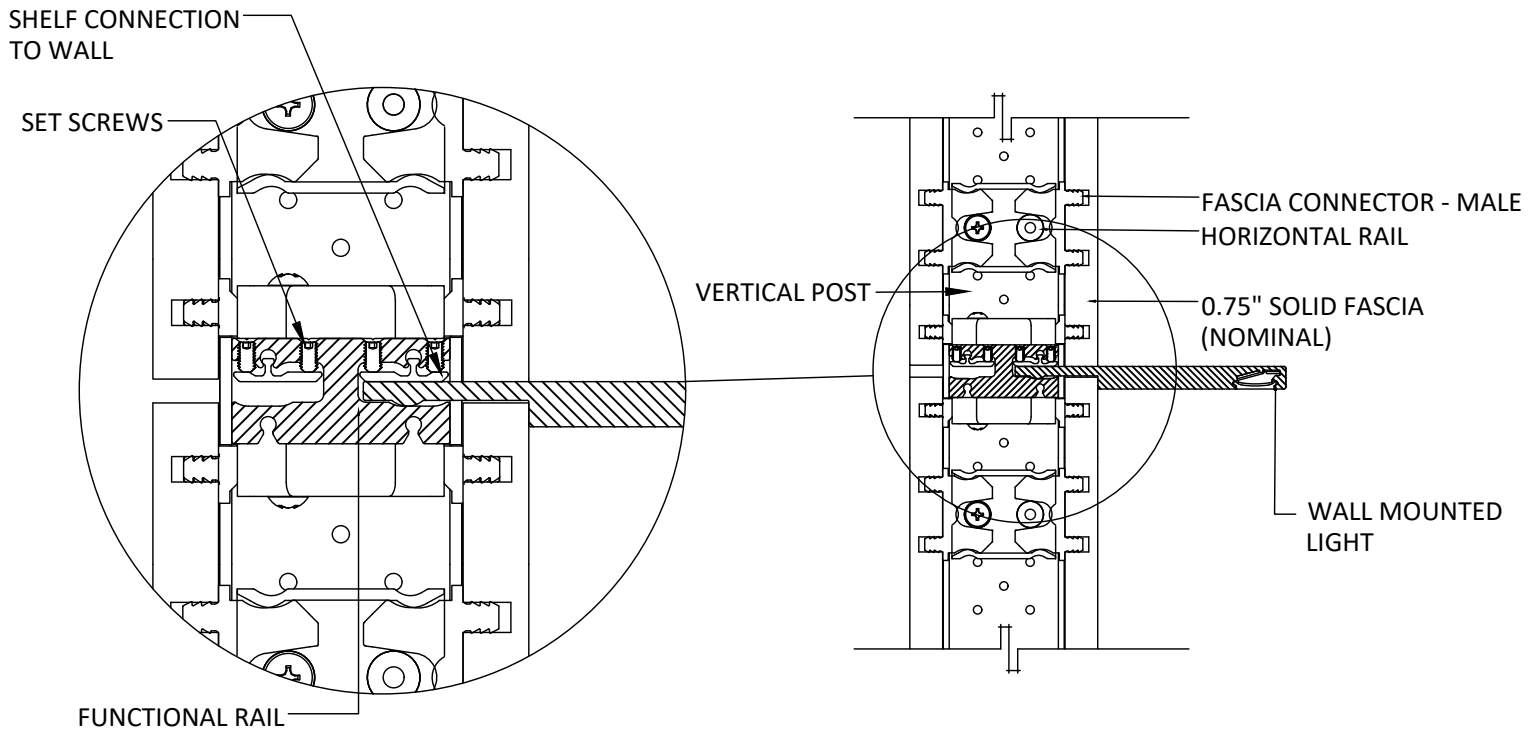
1 LIGHT SWITCH



2 RECEPTACLE MODULE



**1** POWER DATA COMMUNICATIONS MODULE



**2** LANDSCAPE WALL MOUNTED LIGHT

LIGHTING, ELECTRICS & COMMUNICATIONS

1'-0"=1'-0"

ALTOS DETAILING PACKAGE

MAR 01, 2024

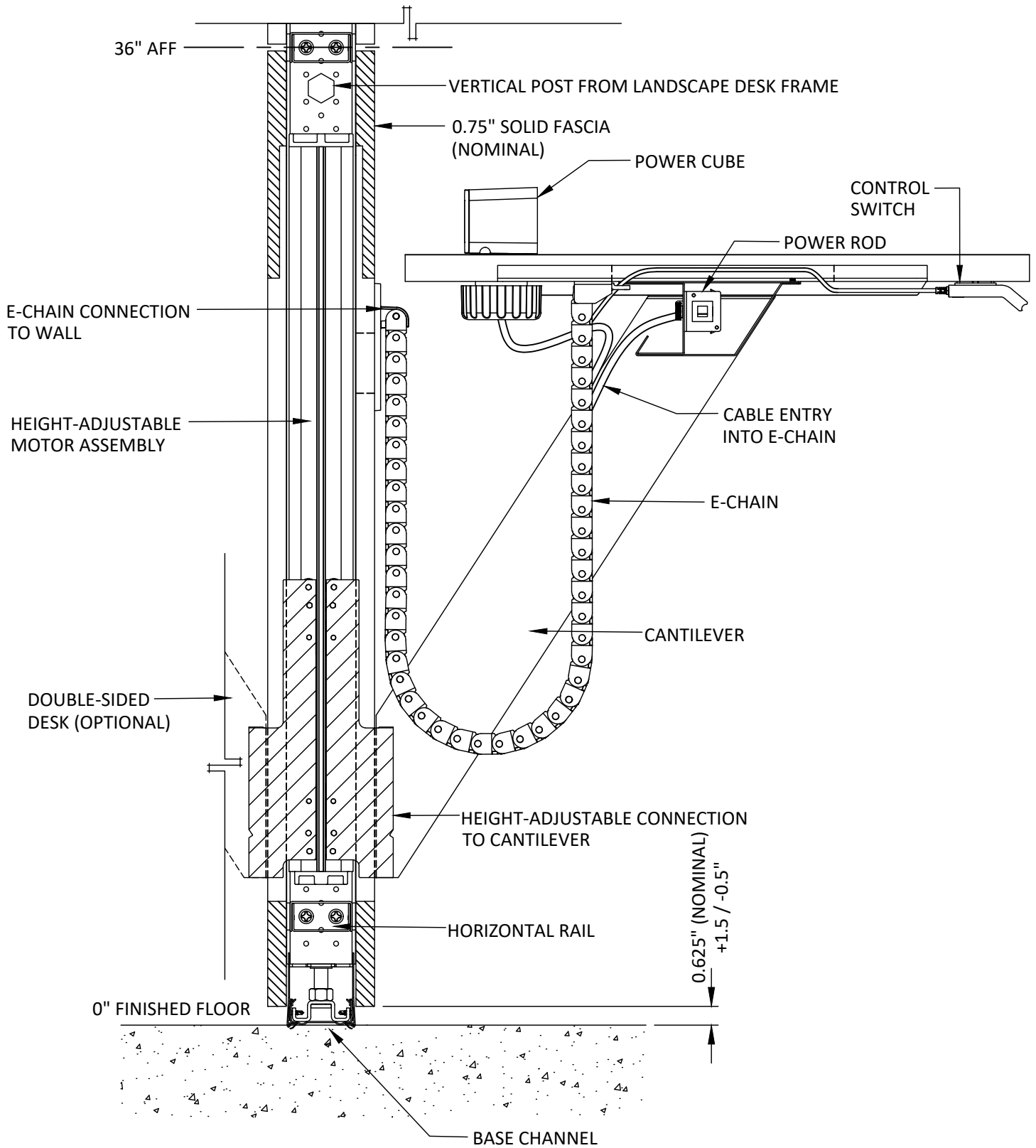
REV00

D02

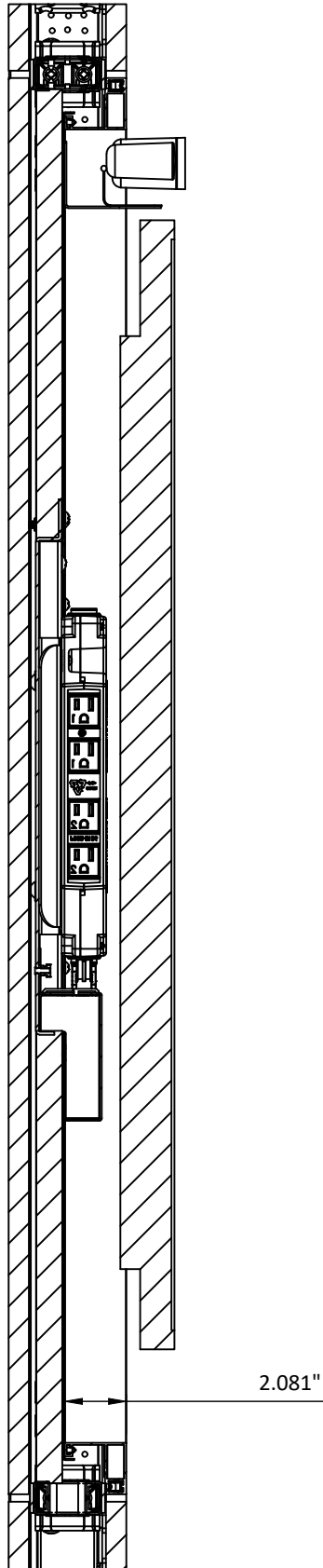
This drawing is the property of Teknion Limited and is subject to return upon demand. It must not be copied or reproduced in any manner, nor submitted to any outside parties for examination without Teknion consent. This drawing must not be scaled, or used for construction purposes.

www.teknion.com

**teknion**



**1** POWER ROD AND POWER CUBE ON LANDSCAPE DESK - VERTICAL SECTION



1 VERTICAL SECTION OF TV SHROUD FASCIA

LIGHTNING, ELECTRICS & COMMUNICATIONS

1'-0"=1'-0"

ALTOS DETAILING PACKAGE

MAR 01, 2024

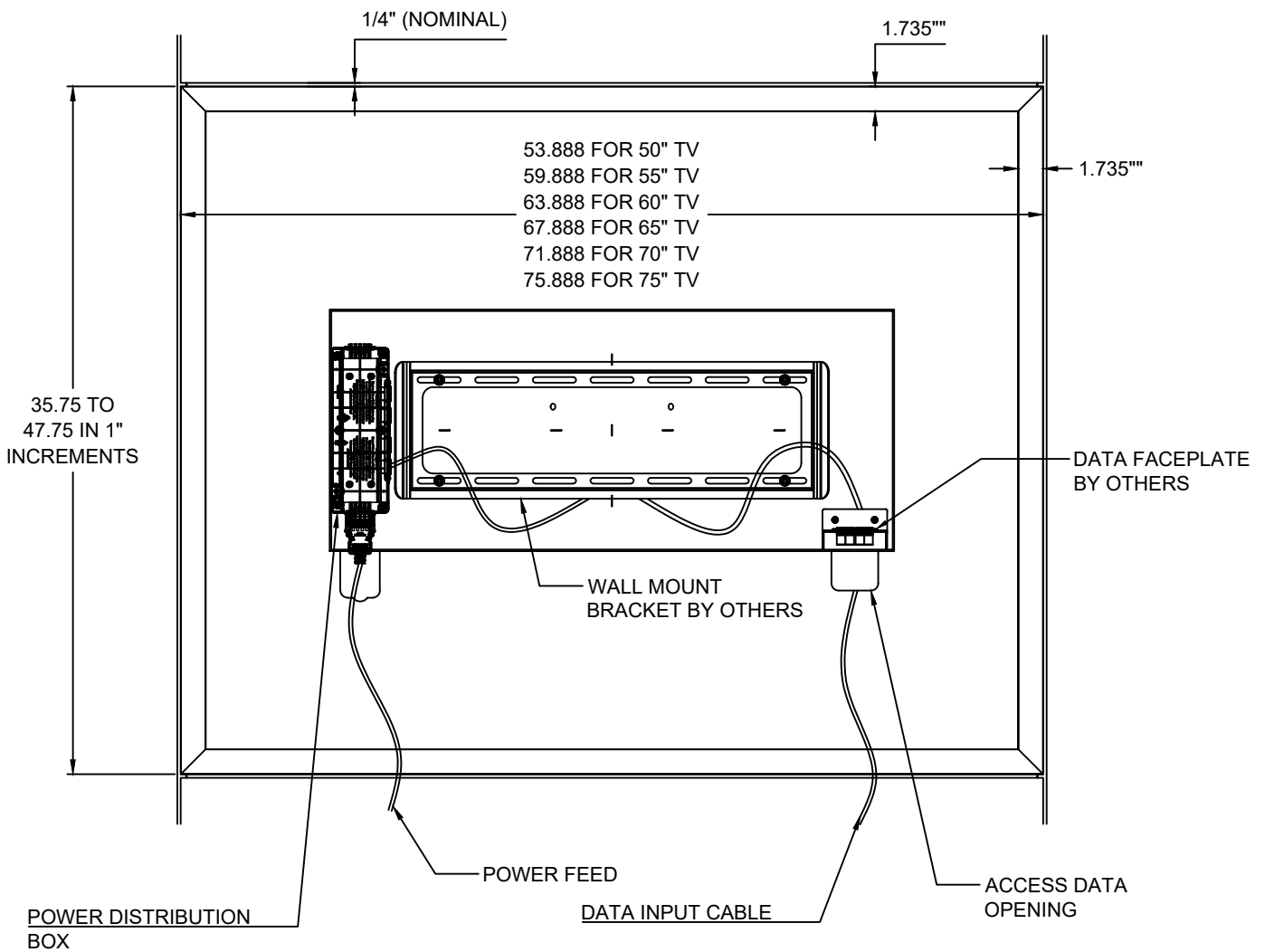
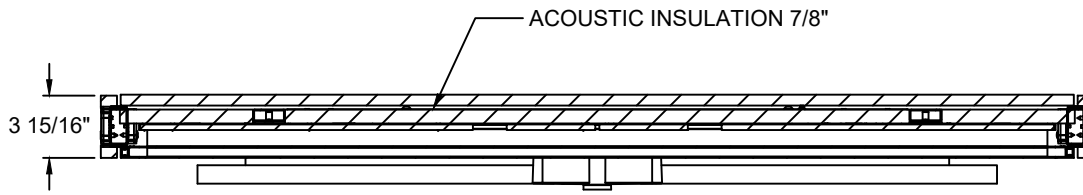
REV02

D04

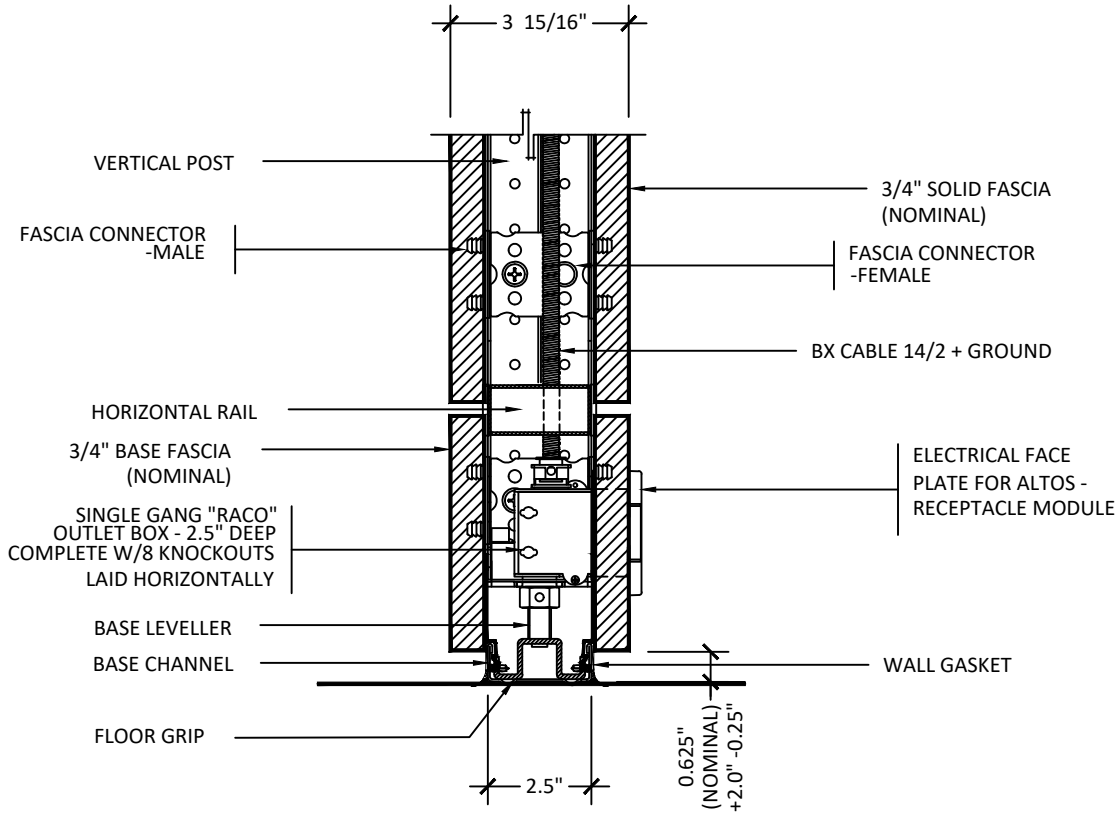
This drawing is the property of Teknion Limited and is subject to return upon demand. It must not be copied or reproduced in any manner, nor submitted to any outside parties for examination without Teknion consent. This drawing must not be scaled, or used for construction purposes.

www.teknion.com

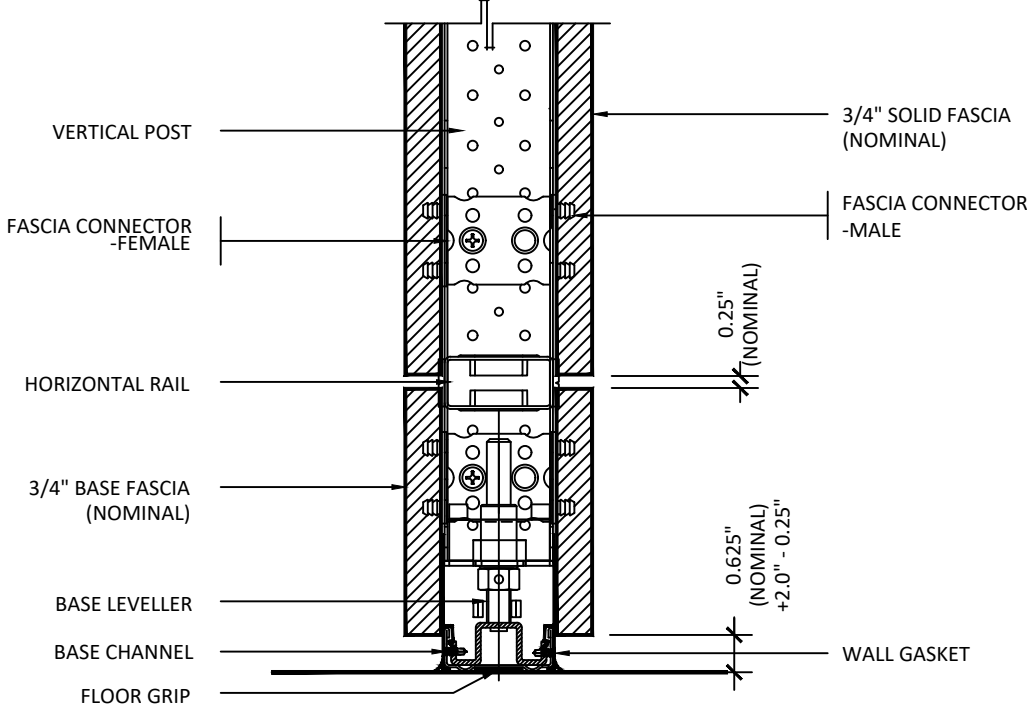
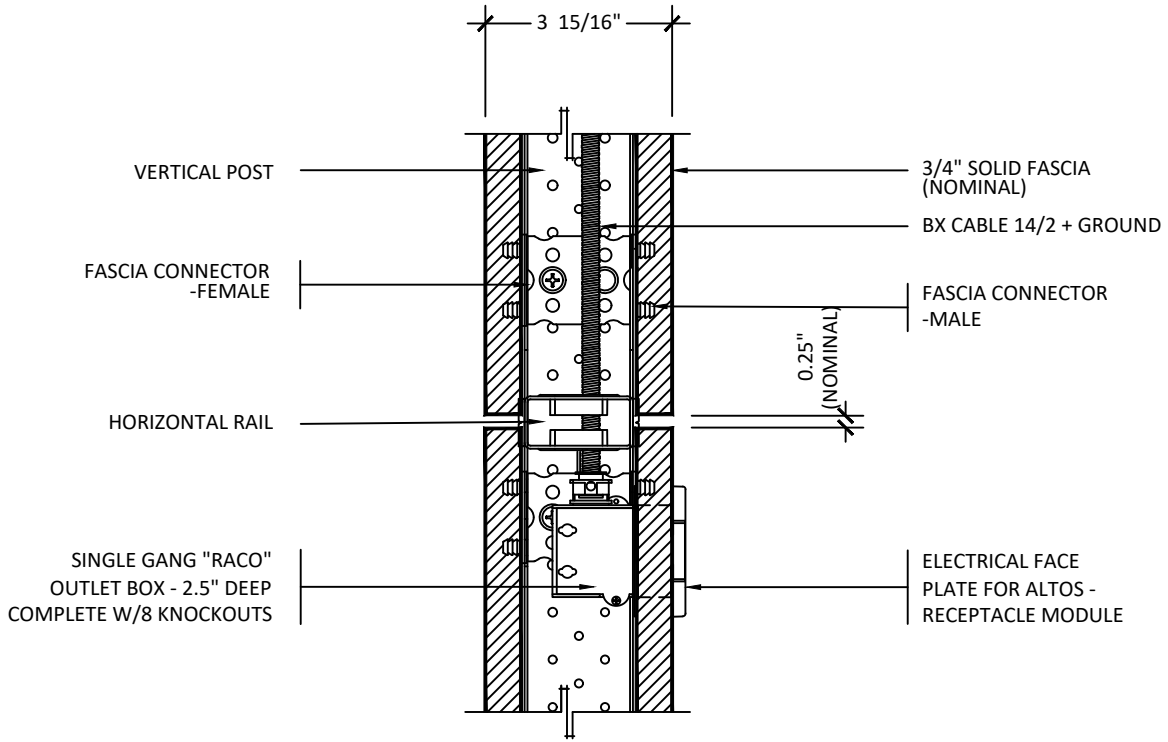
teknion



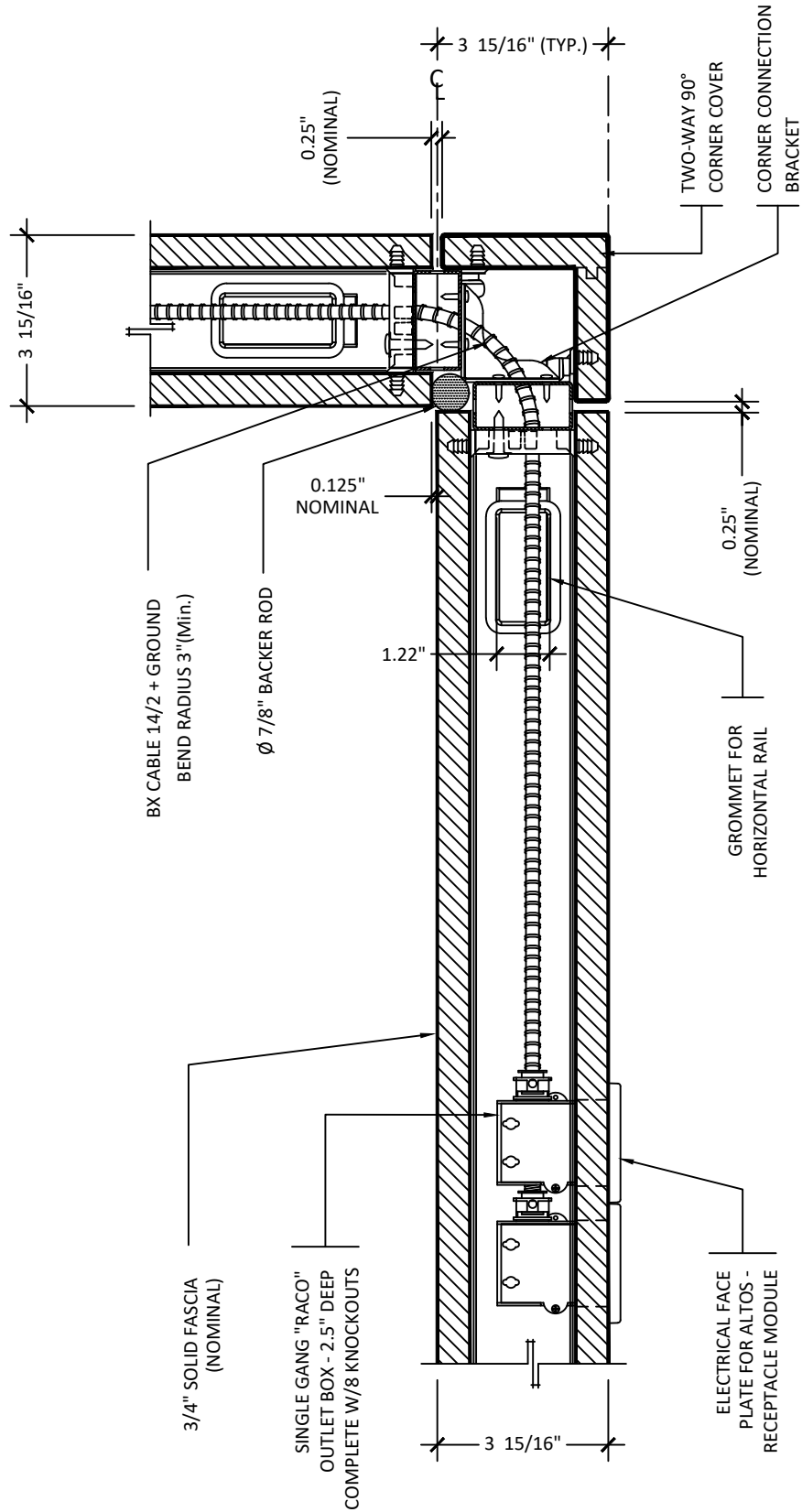
① HORIZONTAL SECTION OF TV SHROUD FASCIA



1 SECTION THROUGH SOLID FASCIAS - HARDWIRE ELECTRICS



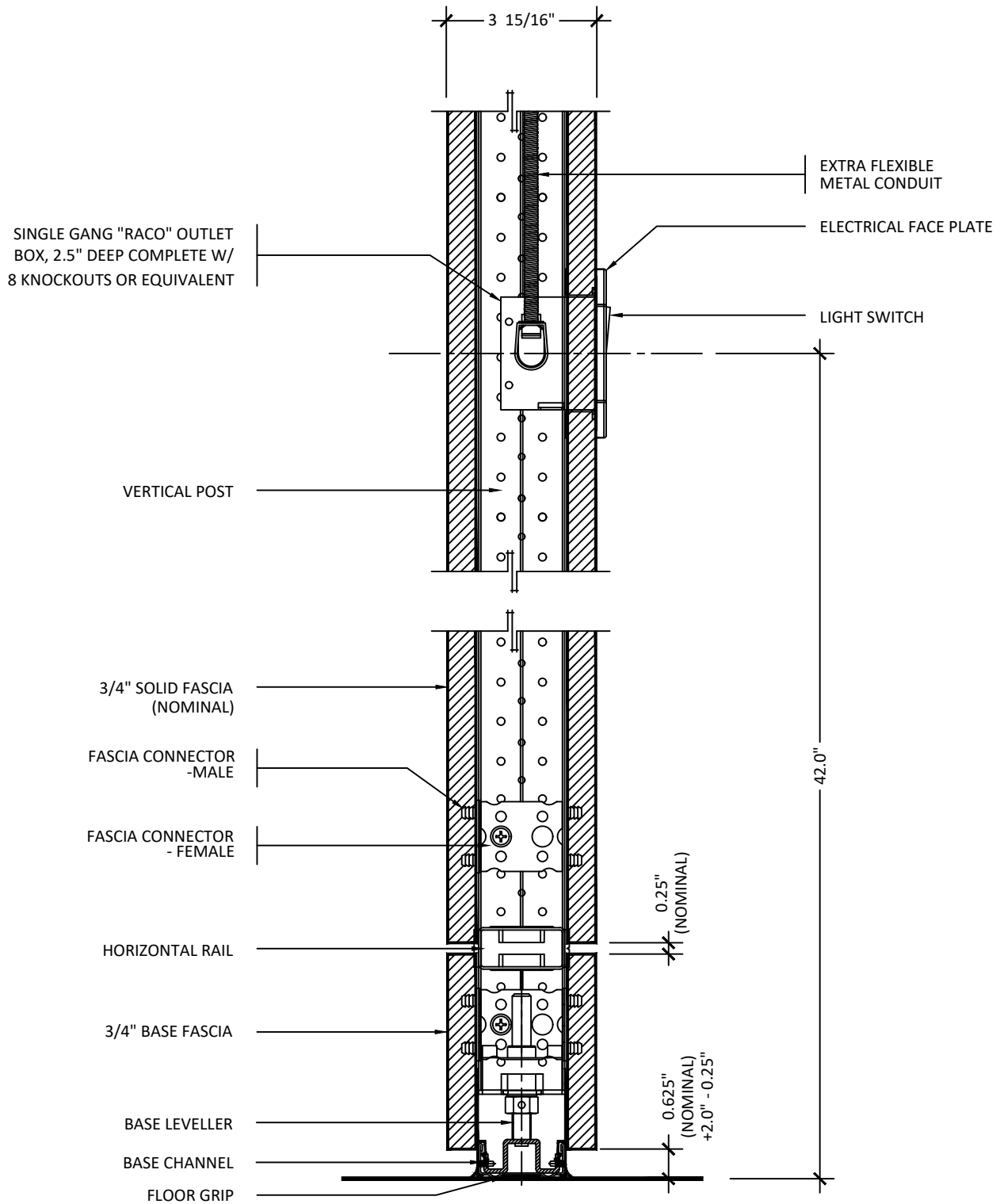
**1 SECTION THROUGH SOLID FASCIAS - HARDWIRE ELECTRICS**



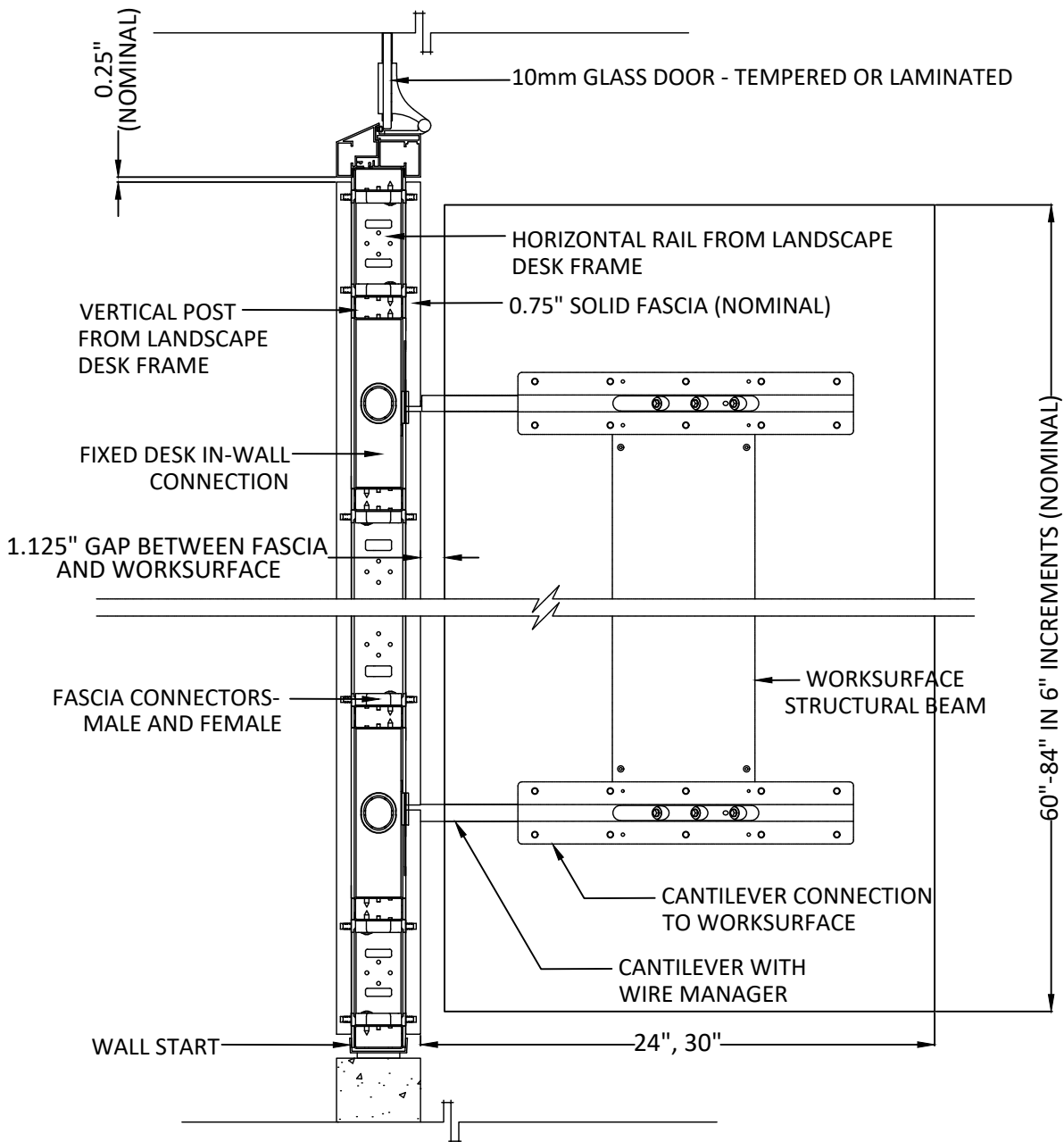
SECTION THROUGH WALL - HARDWIRE ELECTRICS

1

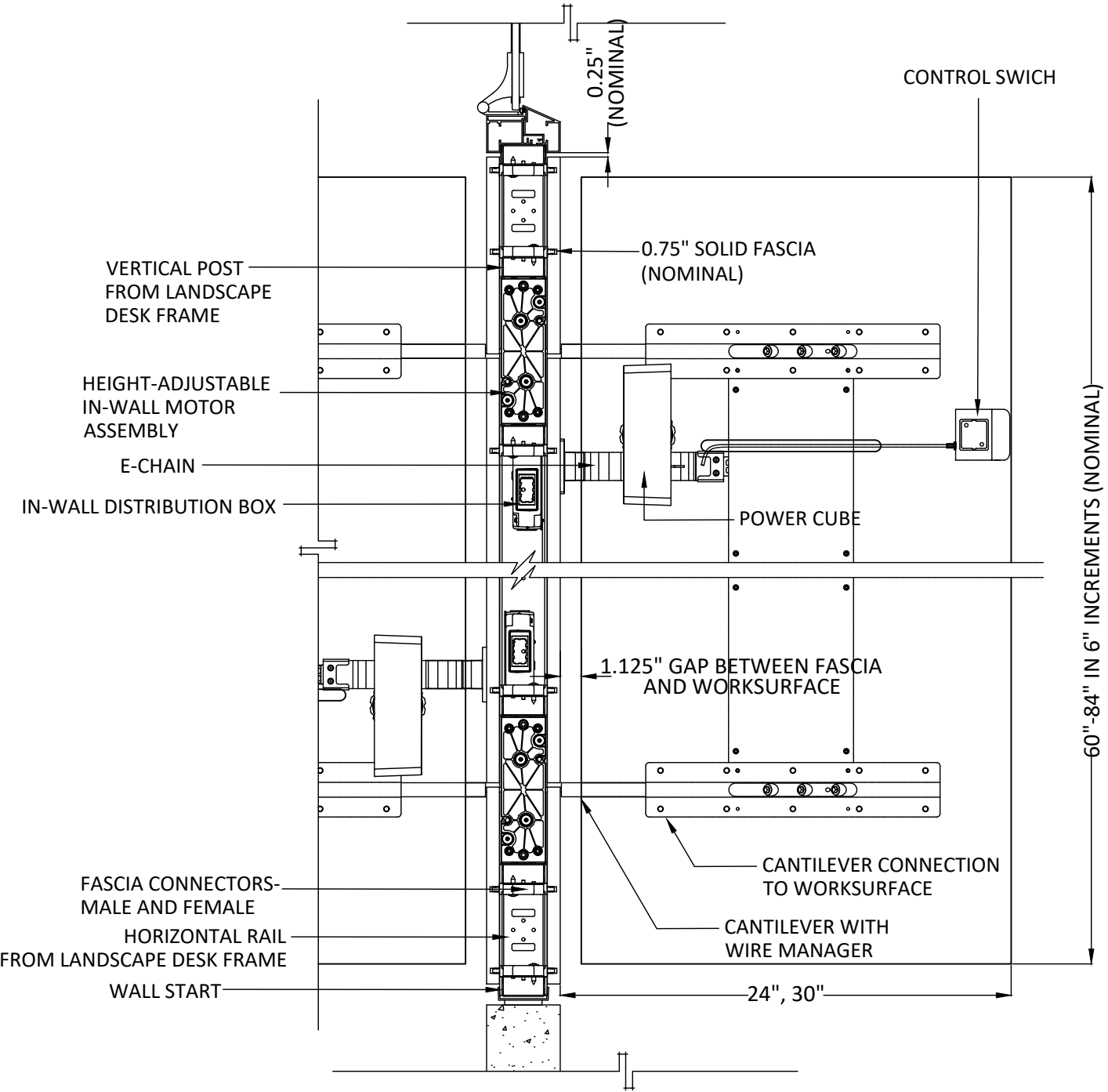




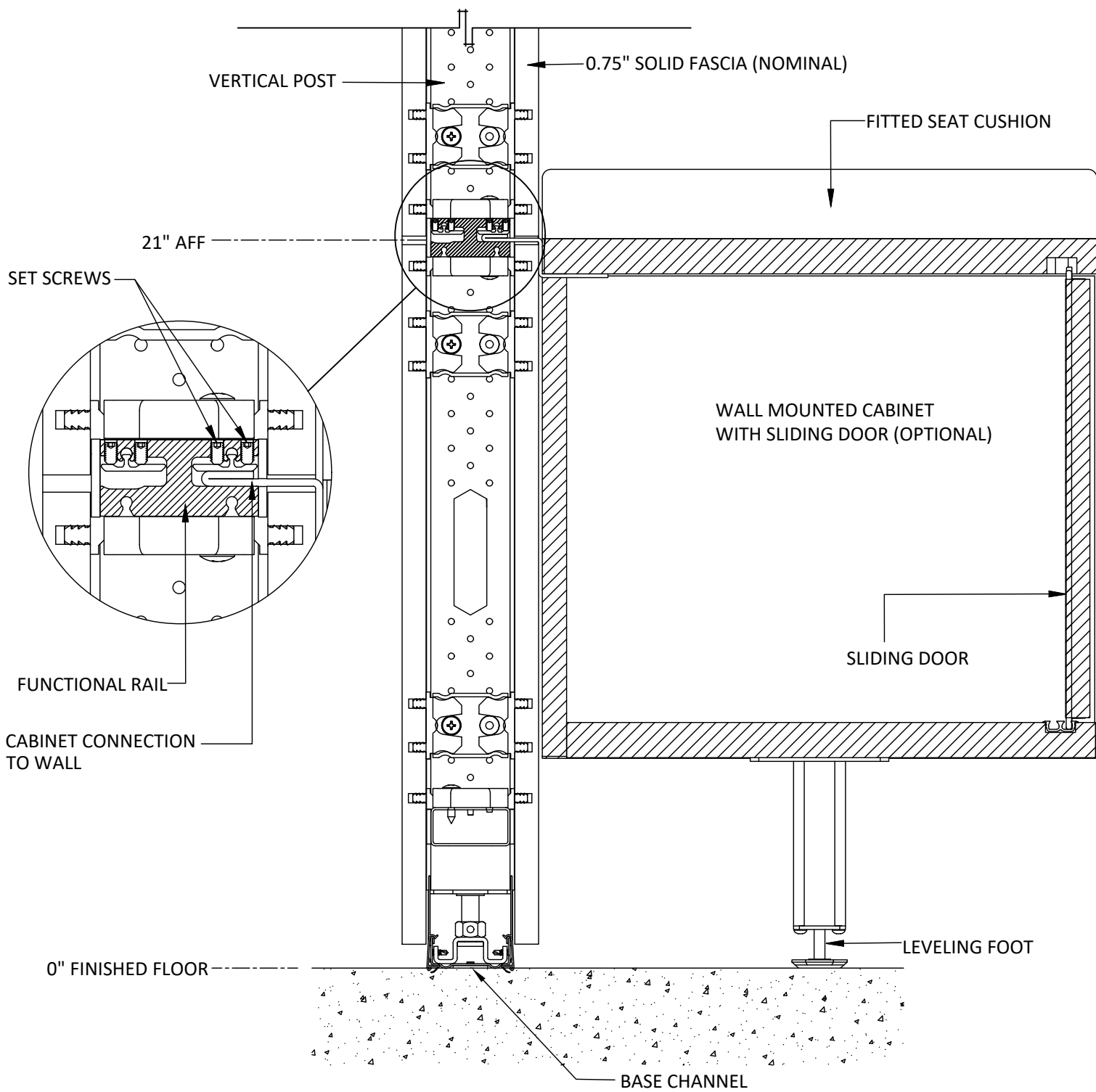
**1 SECTION THROUGH LIGHT SWITCH - ELECTRICS**



1 LANDSCAPE FIXED DESK AND IN-WALL CONNECTION - HORIZONTAL SECTION



1 LANDSCAPE HEIGHT-ADJUSTABLE DESK AND IN-WALL CONNECTION-HORIZONTAL SECTION



**1** WALL-MOUNTED CABINET WITH SLIDING DOOR AND FITTED SEAT CUSHION

COLLECTION & ACCESSORIES

1'-0"=1'-0"

ALTOS DETAILING PACKAGE

MAR 01, 2024

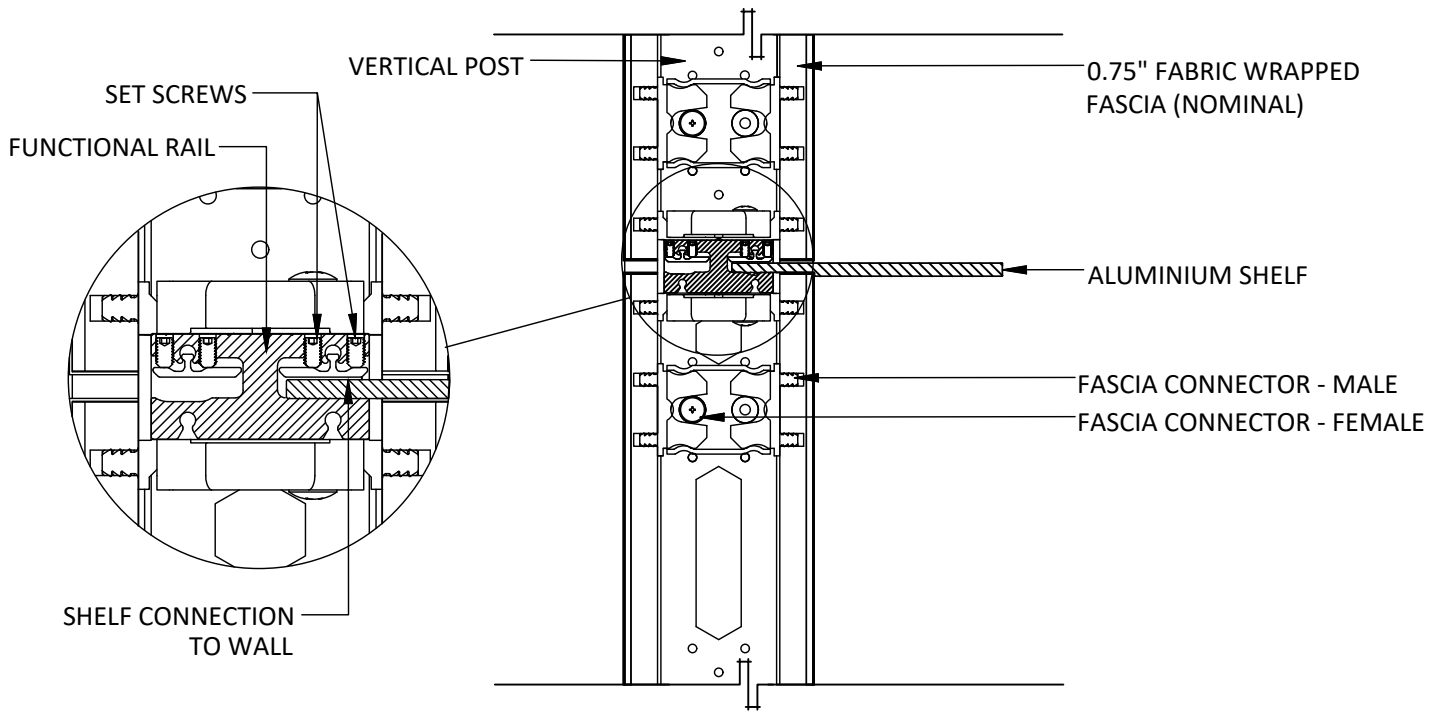
REV00

E03

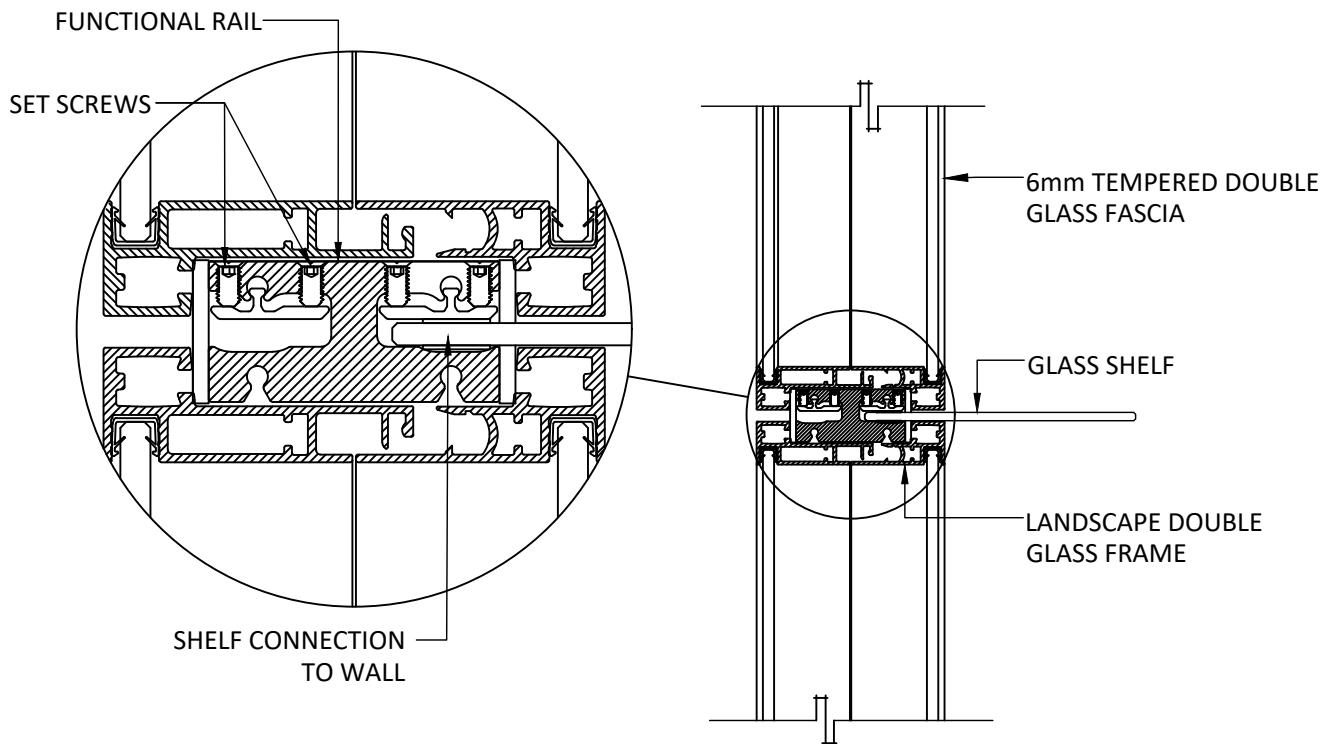
This drawing is the property of Teknion Limited and is subject to return upon demand. It must not be copied or reproduced in any manner, nor submitted to any outside parties for examination without Teknion consent. This drawing must not be scaled, or used for construction purposes.

www.teknion.com

**teknion**



1 SHELF - ALUMINIUM



2 SHELF - GLASS

COLLECTION & ACCESSORIES

1'-0"=1'-0"

ALTOS DETAILING PACKAGE

MAR 01, 2024

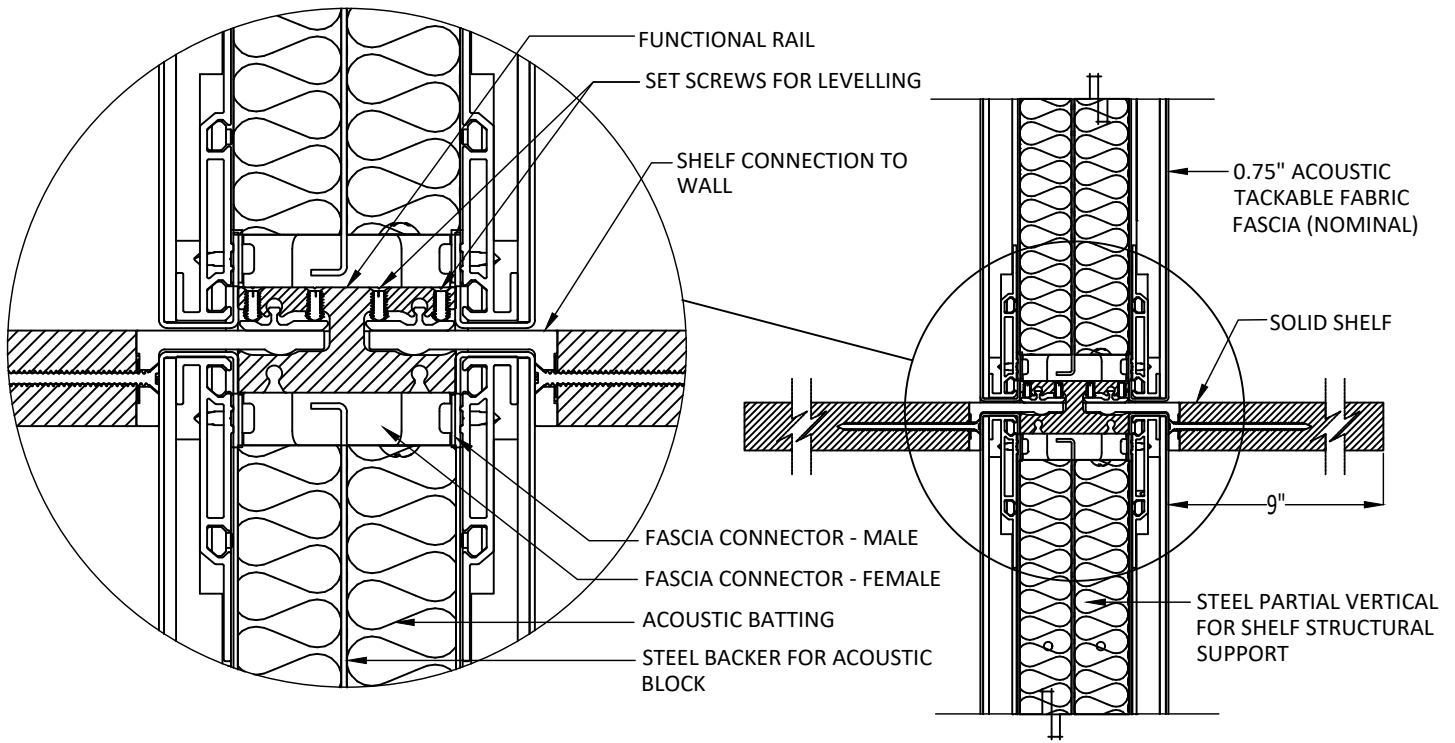
REV00

E04

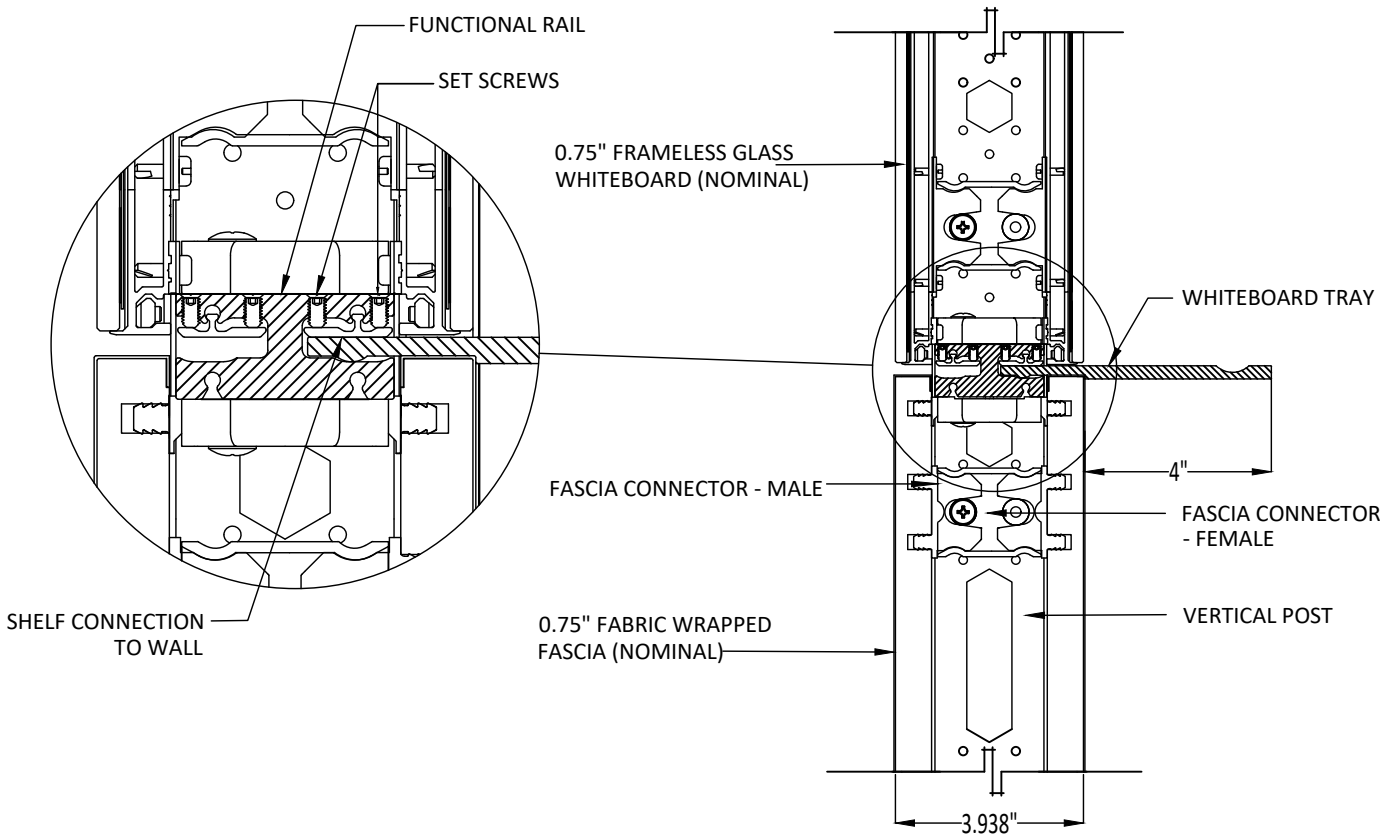
This drawing is the property of Teknion Limited and is subject to return upon demand. It must not be copied or reproduced in any manner, nor submitted to any outside parties for examination without Teknion consent. This drawing must not be scaled, or used for construction purposes.

www.teknion.com

teknion



1 SHELF - SOLID



2 SHELF - WHITEBOARD TRAY

## **STRUCTURAL GENERAL NOTES FOR TEKNION ALTOS LOW PROFILE WALL PARTITIONS:**

### **I. GENERAL**

1. DETERMINE EXISTING BUILDING CONDITIONS AND VERIFY THE APPLICABILITY AND SUITABILITY OF THE DETAILS CONTAINED HEREIN FOR USE IN THE PROPOSED INSTALLATION.
2. RETAIN A REGISTERED PROFESSIONAL ENGINEER, LICENSED IN THE STATE WHERE THE PARTITIONS ARE BEING INSTALLED, TO DETERMINE SITE SEISMICITY AND DEFINE ANCHORAGE AND BRACING REQUIREMENTS UTILIZING INFORMATION CONTAINED IN THE REPORT CONSIDERING LOCAL JURISDICTION CODE REQUIREMENTS. THE PROFESSIONAL ENGINEER IS TO PROVIDE STRUCTURAL OBSERVATION OF CONSTRUCTION TO CONFIRM CONFORMANCE WITH THE INSTALLATION REQUIREMENTS.
3. DRAWINGS INDICATE GENERAL AND TYPICAL DETAILS OF CONSTRUCTION. WHERE CONDITIONS ARE NOT SPECIFICALLY INDICATED BUT ARE OF SIMILAR CHARACTER TO DETAILS SHOWN, USE SIMILAR DETAILS OF CONSTRUCTION, SUBJECT TO REVIEW BY A QUALIFIED PROFESSIONAL ENGINEER.
4. ADEQUACY OF THE BUILDING STRUCTURE TO SUPPORT ANY LOADS IMPOSED BY THE PARTITION WALL IS NOT CONSIDERED IN THE REPORT. IT IS THE USER'S RESPONSIBILITY TO CONSULT WITH A QUALIFIED PROFESSIONAL (REGISTERED PROFESSIONAL ENGINEER) TO ASSESS THE IMPACT OF PARTITION ANCHORAGE LOAD TO THE BUILDING STRUCTURE AND TO ESTABLISH COMPLIANCE WITH THE APPLICABLE CURRENT BUILDING CODE.
5. THE CONTRACTOR IS SOLELY RESPONSIBLE FOR PROVIDING A SAFE PLACE TO WORK AND MEETING THE REQUIREMENTS OF ALL APPLICABLE JURISDICTIONS. EXECUTE WORK TO ENSURE THE SAFETY OF PERSONS AND ADJACENT PROPERTY AGAINST DAMAGE BY FALLING DEBRIS AND OTHER HAZARDS IN CONNECTION WITH THIS WORK.
6. DESIGN IS BASED ON A NON-ESSENTIAL SYSTEM DEFINED BY IBC 2015/2018 (IE = 1.0), CBC 2016/2019 (IE=1.0), AND NBCC 2015 (IE=1.0).

### **II. MECHANICAL ANCHORS AT CONCRETE**

1. MECHANICAL ANCHORS INTO CONCRETE TO BE: HILTI KWIK HUS-EZ CONCRETE SCREW ANCHORS INSTALLED IN ACCORDANCE WITH ICC-ES REPORT ESR-3027, SIMPSON STRONG TIE TITEN HD SCREW ANCHORS INSTALLED IN ACCORDANCE WITH ICC-ES REPORT ESR-2713, OR DEWALT SCREW-BOLT + SCREW ANCHORS INSTALLED IN ACCORDANCE WITH ICC-ES REPORT ESR-3889. SEE THE APPROPRIATE STRUCTURAL DETAILS FOR THE REQUIRED ANCHOR SIZE AND SPACING. NOTE THAT THE ANCHOR LENGTH INDICATED IN THE DETAILS ARE EFFECTIVE EMBEDMENT DEPTHS. SUBSTITUTIONS ARE TO HAVE CAPACITIES EQUAL TO OR EXCEEDING SPECIFIED PRODUCTS, AND MUST HAVE A CURRENT ICC-ESR THAT IS APPROVED FOR USE IN CRACKED CONCRETE IN SEISMIC DESIGN CATEGORIES A THROUGH F AND PER THE IBC 2018 OR 2015 NATIONAL BUILDING CODE OF CANADA AS APPROPRIATE.
2. IF CONCRETE REINFORCEMENT IS ENCOUNTERED DURING INSTALLATION, SHIFT THE ANCHOR LOCATION TO AVOID THE REINFORCEMENT. DO NOT CUT REINFORCEMENT. PROVIDE A MINIMUM OF 1 INCH OF SOUND CONCRETE BETWEEN THE FASTENER AND THE ABANDONED HOLE. FILL THE ABANDONED HOLE WITH NON-SHRINK GROUT.
3. CONTRACTOR IS TO VERIFY WITH LOCAL GOVERNING AUTHORITY ANY REQUIREMENTS FOR ANCHOR TESTING.

## **F1 - GENERAL NOTES - PART 1**

SEISMIC APPLICATIONS

N.T.S.

ALTOS ARCHITECTURAL PACKAGE

MAR 01, 2024

REV00

F1

This drawing is the property of Teknion Limited and is subject to return upon demand. It must not be copied or reproduced in any manner, nor submitted to any outside parties for examination without Teknion consent. This drawing must not be scaled, or used for construction purposes..

www.teknion.com

**teknion**

### III. COLD-FORMED METAL FRAMING

1. STUDS: ASTM C955 AND ASTM A1003, "C" SHAPED WITH LIPPED FLANGES AND PUNCHED WEB. PROVIDE G60 COATING MINIMUM.
  - A. GRADE 33 TYPE H, TYPICAL UNLESS NOTED OTHERWISE.
  - B. GRADE 50 TYPE H, WHERE INDICATED IN DETAILS
  - C. AT CONTRACTOR'S OPTION, GRADE 50 TYPE H MAY BE USED IN LIEU OF GRADE 33 TYPE H.
2. TRACK: ASTM C955 AND ASTM A1003, "U" SHAPED WITH UN-PUNCHED WEB. PROVIDE G60 COATING MINIMUM.
  - A. MATCH GRADE OF STUDS, UON
3. FRAMING DESIGNATIONS ON DETAILS ARE BASED ON THE STEEL STUD MANUFACTURER'S ASSOCIATION (SSMA) PRODUCT TECHNICAL GUIDE (ICC-ESR-3064P). ALTERNATE FRAMING MAY BE PROPOSED IF A CURRENT ICC EVALUATION REPORT IS PROVIDED SHOWING EQUIVALENCY WITH SSMA PROPERTIES.
4. SHEET METAL SCREWS: SELF-DRILLING, SELF-TAPPING, HDG PER ASTM A153. PAN OR HEX WASHER HEAD AS REQUIRED BY FINISH.
  - A. PRODUCTS: ITW-BUILDEX TEKS SELECT (ICC-ESR-3223), SIMPSON STRONG-TIE STRONG-DRIVE X(ICC-ESR-3006) OR APPROVED EQUIVALENT.

### IV. ROUGH CARPENTRY

1. FRAMING LUMBER: DOUGLAS FIR (COAST REGION) GRADED AND MARKED IN ACCORDANCE WITH THE STANDARD GRADING RULES NO. 17 OF THE WEST COAST LUMBER INSPECTION BUREAU (W.C.L.I.B.) OR WESTERN LUMBER GRADING RULES, OF THE WESTERN WOOD PRODUCTS ASSOCIATION (W.W.P.A.). USE LUMBER OF THE FOLLOWING GRADES:

<u>MEMBER</u>	<u>MOISTURE CONTENT</u>	<u>WOOD/GRADE</u>
BLOCKING & BRIDGING	15%	DF #2 OR SP #2

2. ROUGH HARDWARE:
  - A. NAILS: COMMON WIRE NAILS, STANDARD LENGTHS UON. USE HOT-DIPPED ZINC-COATED GALVANIZED NAILS FOR EXTERIOR INSTALLATIONS AND WHEN PENETRATING PRESSURE TREATED OR FIRE-RETARDANT LUMBER.
  - B. SCREWS: ASTM A307, ANSI/ASME STANDARD B18.6.1. USE CADMIUM-PLATED PAN OR ROUND HEADED WOOD SCREWS AT STEEL TO WOOD AND WOOD TO WOOD CONNECTIONS.
  - C. FRAMING CLIPS, SHEET METAL STRAPS, ETC.: SIMPSON STRONG-TIE. PROVIDE Z-MAX COATING WHERE ATTACHED TO PRESERVATIVE TREATED LUMBER.
3. SCREW INSTALLATION:
  - A. DRILL PRE-BORED LEAD HOLES FOR WOOD SCREWS AS FOLLOWS.
    1. LEAD HOLE FOR THE SHANK: 7/8 TIMES THE DIAMETER OF THE SHANK, AND THE SAME DEPTH OF PENETRATION AS THE LENGTH OF UNTHREADED SHANK.
    2. LEAD HOLE FOR THREADED PORTION: 7/8 TIMES THE DIAMETER OF THE SCREW AT THE ROOT OF THE THREAD.
    3. INSERT THE SCREW INTO LEAD HOLE BY TURNING. DO NOT DRIVE WITH A HAMMER.
  - B. SIMPSON STRONG-TIE SDS SCREWS DO NOT REQUIRE PRE-DRILLING.

## F2 - GENERAL NOTES - PART 2

SEISMIC APPLICATIONS

N.T.S.

ALTOS ARCHITECTURAL PACKAGE

MAR 01, 2024

REV00

F2

This drawing is the property of Teknion Limited and is subject to return upon demand. It must not be copied or reproduced in any manner, nor submitted to any outside parties for examination without Teknion consent. This drawing must not be scaled, or used for construction purposes..

www.teknion.com

**teknion**

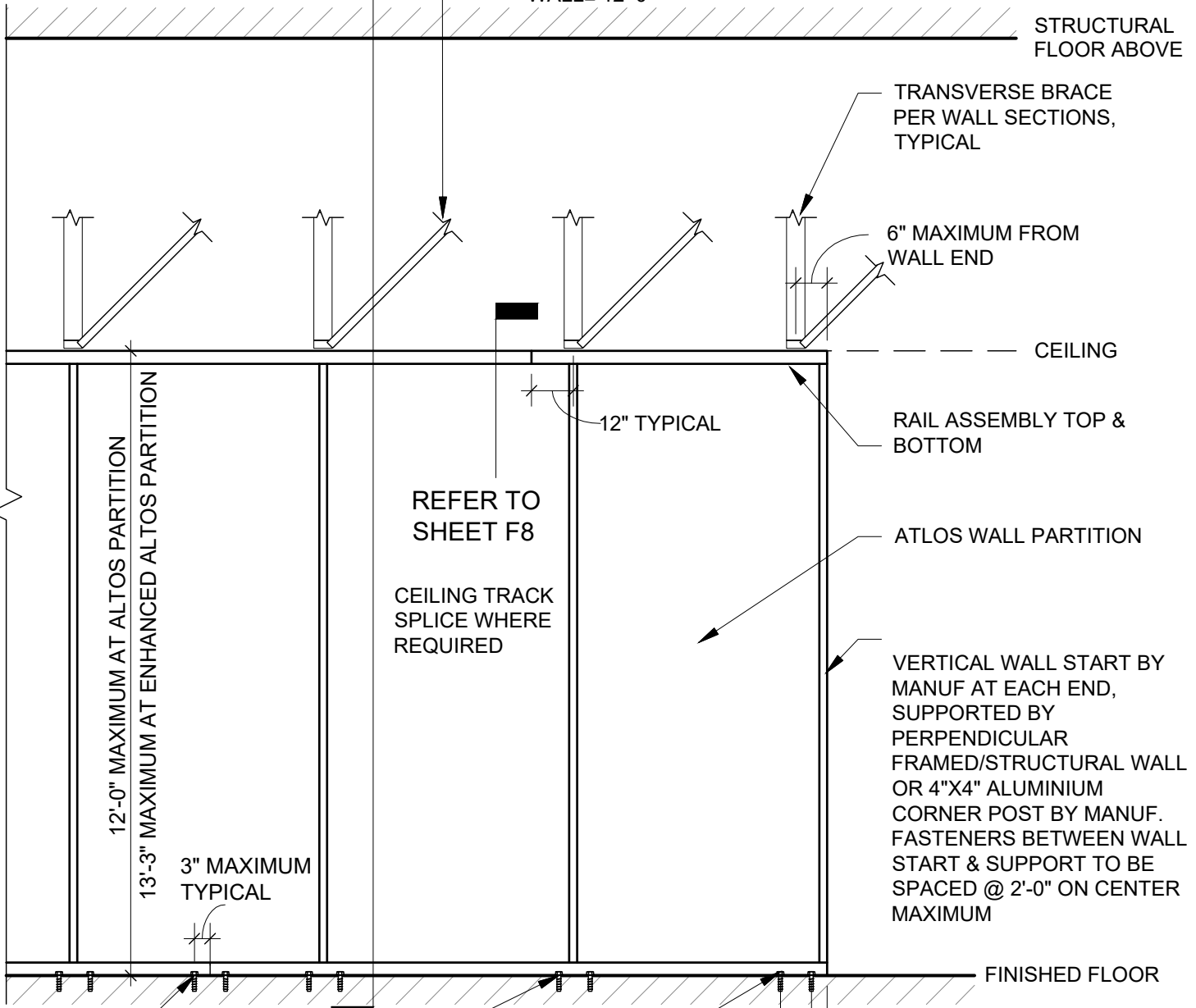


FOR VERY LOW ( $S_s < 0.35$ ), LOW ( $0.35 < S_s \leq 1.5$ ), MODERATE ( $1.5 < S_s \leq 2.0$ ), AND HIGH ( $2.0 < S_s \leq 2.75$ ) SEISMICITY

REFER TO SHEETS  
F4, F5

PROVIDE LONGITUDINAL BRACE AT EACH SIDE TRANSVERSE BRACE. SEE WALL SECTION FOR SIMILAR TOP BRACE CONNECTION DETAILS.

1. FOR LOW SEISMICITY, LONGITUDINAL BRACE MAY BE OMITTED FOR ALTOS WALLS  $\geq 8'-0"$  AND ENHANCED ALTOS WALL  $\geq 7'-0"$
2. FOR MODERATE SEISMICITY, LONGITUDINAL BRACE MAY BE OMITTED FOR ALTOS WALLS  $\geq 8'-0"$  AND ENHANCED ALTOS WALL  $\geq 12'-0"$



STRUCTURAL FLOOR ABOVE

TRANSVERSE BRACE PER WALL SECTIONS, TYPICAL

6" MAXIMUM FROM WALL END

CEILING

RAIL ASSEMBLY TOP & BOTTOM

REFER TO SHEET F8

CEILING TRACK SPLICE WHERE REQUIRED

ALTOS WALL PARTITION

VERTICAL WALL START BY MANUF AT EACH END, SUPPORTED BY PERPENDICULAR FRAMED/STRUCTURAL WALL OR 4"X4" ALUMINIUM CORNER POST BY MANUF. FASTENERS BETWEEN WALL START & SUPPORT TO BE SPACED @ 2'-0" ON CENTER MAXIMUM

FINISHED FLOOR

PROVIDE FLOOR ANCHOR ON EACH SIDE OF BOTTOM RAIL SPLICE WHERE OCCURS

FLOOR ANCHOR ON EACH SIDE OF ALTOS POST PER DETAILS F14 & F15 TYPICAL

FOR MODERATE SENSITIVITY, WHERE LONGITUDINAL BRACE IS OMITTED AS ALLOWED PER NOTE ABOVE, PROVIDE (2) ANCHORS AT WALL ENDS

6"

3" TYPICAL EACH END OF WALL

NOTES:  
1. WHERE SHELVINGS ARE INSTALLED, THIS DETAIL IS TO BE USED ONLY IN CONJUNCTION WITH THE SHELVING LOAD LIMITATION TABLE A IN THE REPORT.

F3 - ALTOS & ENHANCED ALTOS PARTITION ELEVATION

SEISMIC APPLICATIONS

N.T.S.

ALTOS ARCHITECTURAL PACKAGE

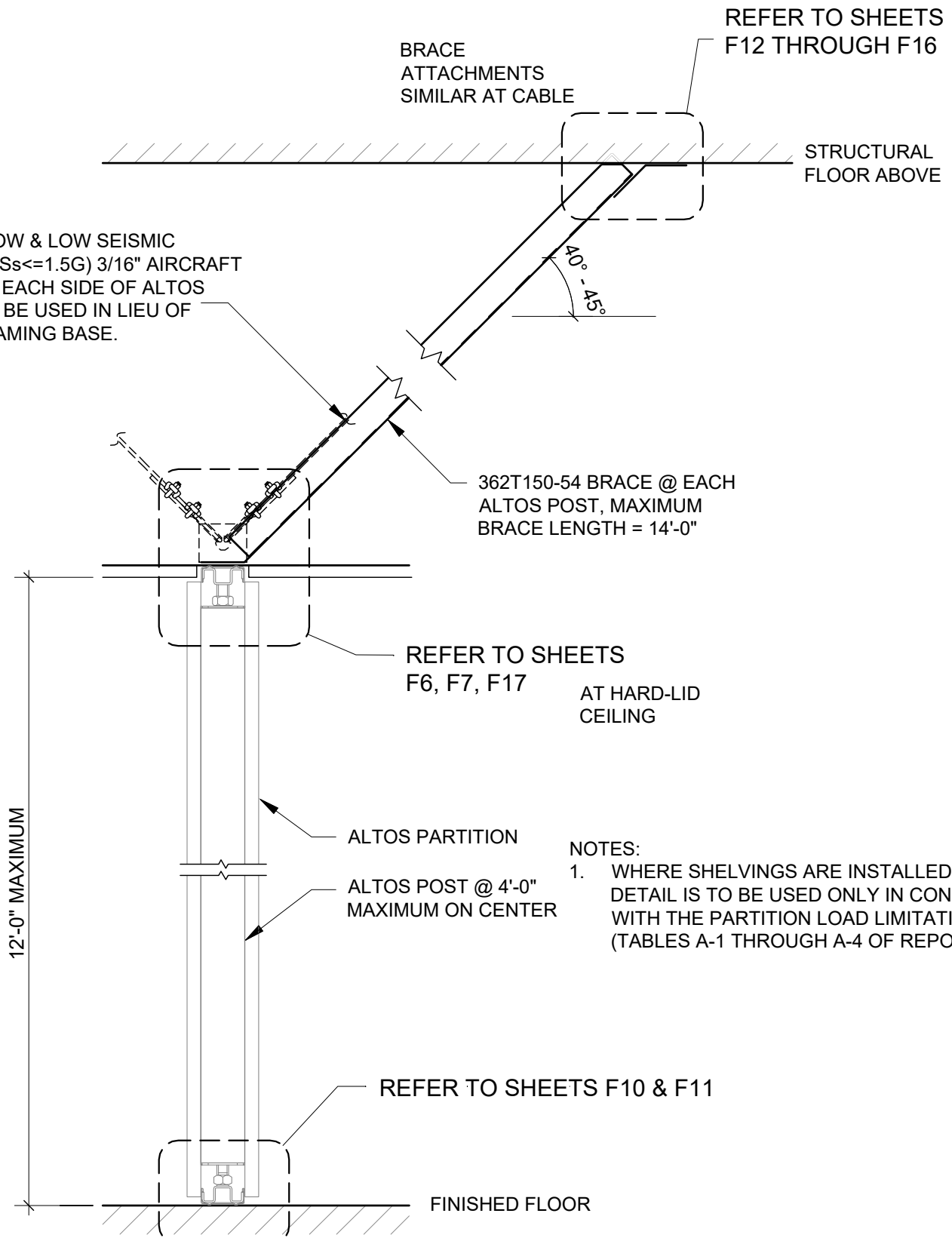
MAR 01, 2024

REV00

F3

This drawing is the property of Teknion Limited and is subject to return upon demand. It must not be copied or reproduced in any manner, nor submitted to any outside parties for examination without Teknion consent. This drawing must not be scaled, or used for construction purposes.

FOR VERY LOW ( $S_s < 0.35$ ), LOW ( $0.35 < S_s \leq 1.5$ ), MODERATE ( $1.5 < S_s \leq 2.0$ ), AND HIGH ( $2.0 < S_s \leq 2.75$ ) SEISMICITY



IN VERY LOW & LOW SEISMIC REGIONS ( $S_s \leq 1.5G$ ) 3/16" AIRCRAFT ON CABLE EACH SIDE OF ALTOS POST MAY BE USED IN LIEU OF METAL FRAMING BASE.

12'-0" MAXIMUM

- NOTES:
1. WHERE SHELVINGS ARE INSTALLED, THIS DETAIL IS TO BE USED ONLY IN CONJUNCTION WITH THE PARTITION LOAD LIMITATION TABLES (TABLES A-1 THROUGH A-4 OF REPORT).

F4 - ALTOS PARTITION SECTION

SEISMIC APPLICATIONS

N.T.S.

ALTOS ARCHITECTURAL PACKAGE

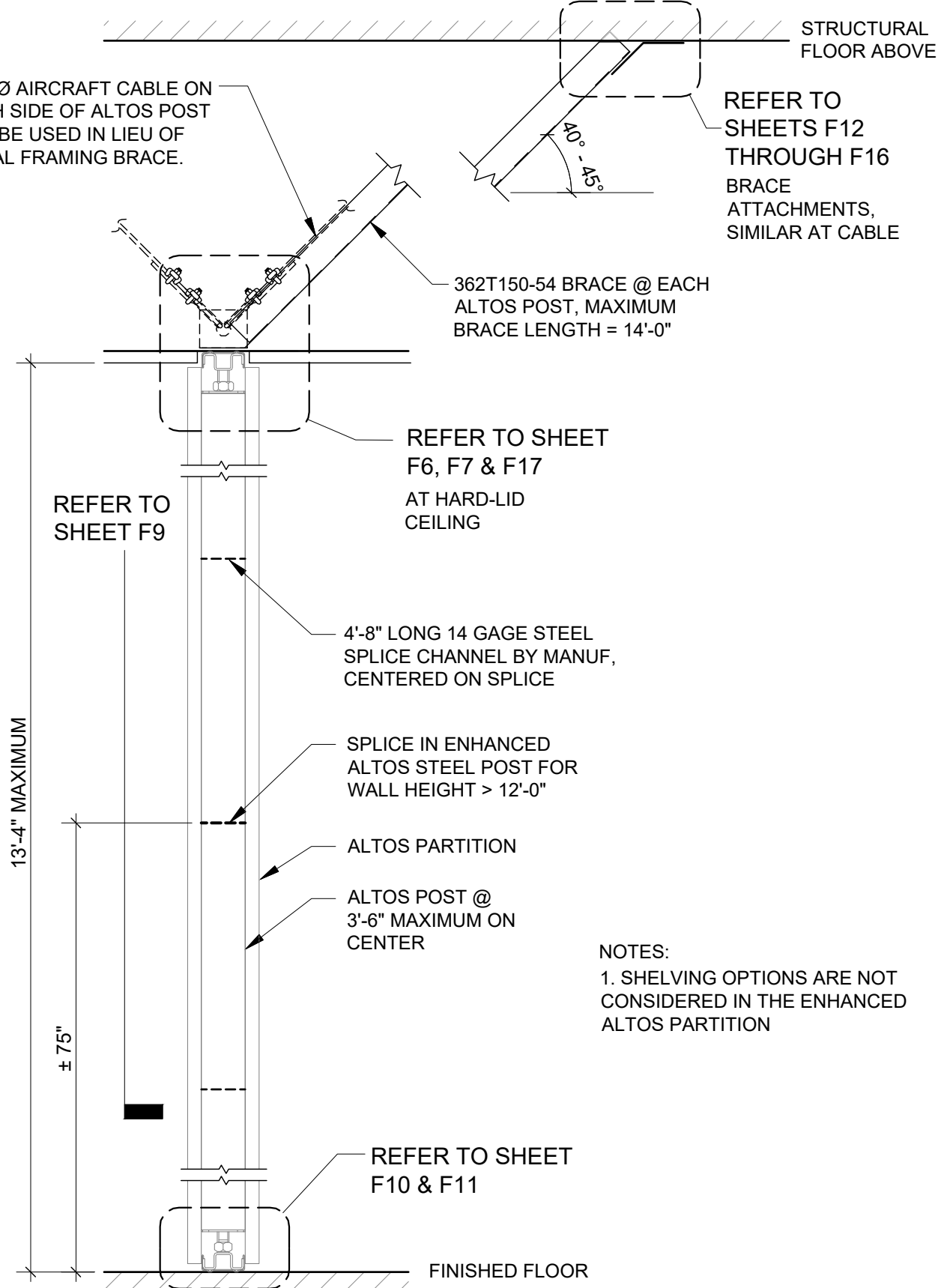
MAR 01, 2024

REV00

F4

This drawing is the property of Teknion Limited and is subject to return upon demand. It must not be copied or reproduced in any manner, nor submitted to any outside parties for examination without Teknion consent. This drawing must not be scaled, or used for construction purposes..

FOR VERY LOW ( $S_s < 0.35$ ), LOW ( $0.35 < S_s \leq 1.5$ ), MODERATE ( $1.5 < S_s \leq 2.0$ ), AND HIGH ( $2.0 < S_s \leq 2.75$ ) SEISMICITY



F5 - ENHANCED ALTOS PARTITION SECTION (HEIGHT GREATER THAN 12'-0")

NOTES:  
 1. SHELVING OPTIONS ARE NOT CONSIDERED IN THE ENHANCED ALTOS PARTITION

SEISMIC APPLICATIONS

N.T.S.

ALTOS ARCHITECTURAL PACKAGE

MAR 01, 2024

REV00

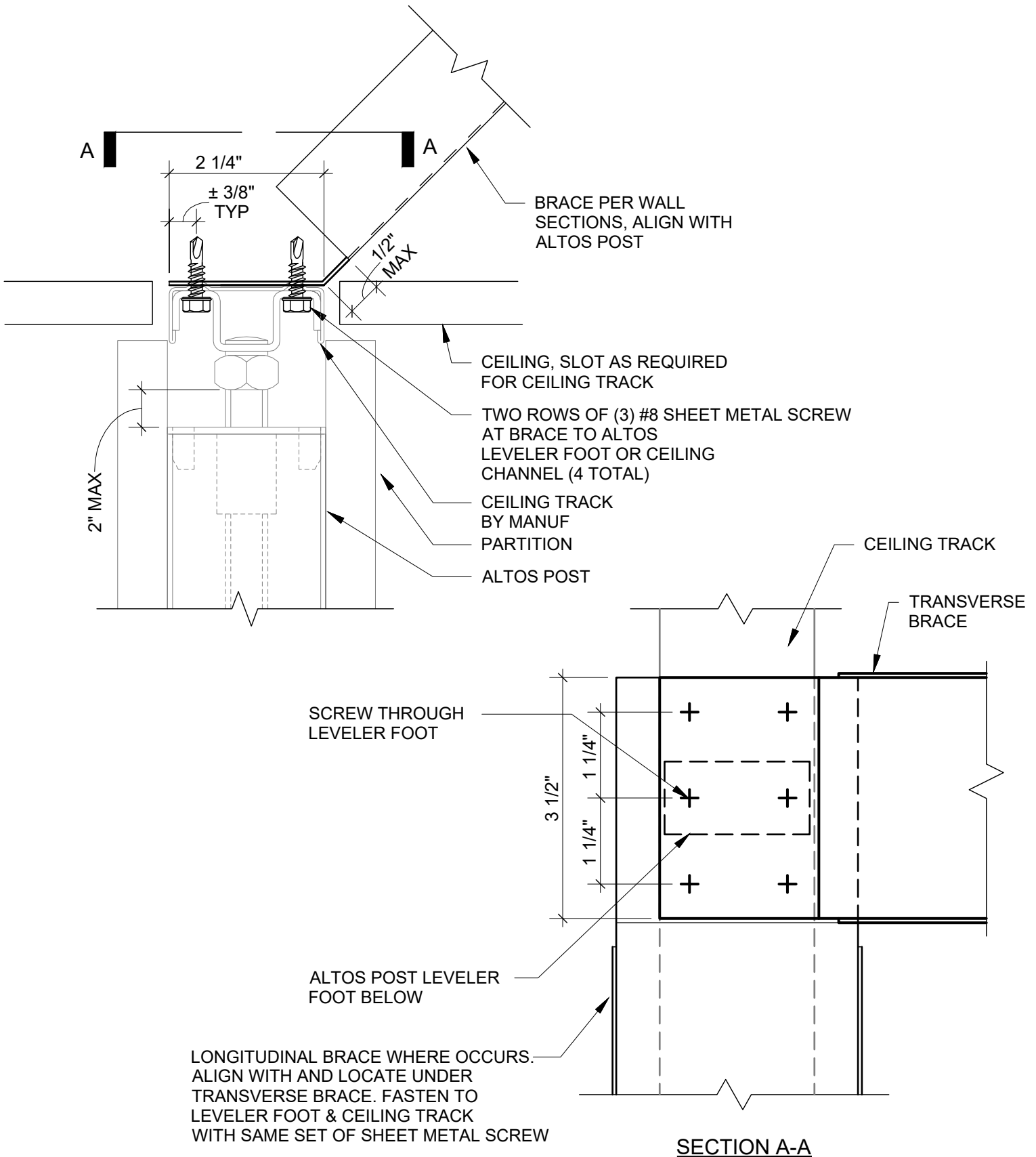
F5

This drawing is the property of Teknion Limited and is subject to return upon demand. It must not be copied or reproduced in any manner, nor submitted to any outside parties for examination without Teknion consent. This drawing must not be scaled, or used for construction purposes..

www.teknion.com

teknion

FOR VERY LOW ( $S_s < 0.35$ ), LOW ( $0.35 < S_s \leq 1.5$ ), MODERATE ( $1.5 < S_s \leq 2.0$ ), AND HIGH ( $2.0 < S_s \leq 2.75$ ) SEISMICITY



**F6 - TOP TRACK TO BRACE CONNECTION**

SEISMIC APPLICATIONS

N.T.S.

ALTOS ARCHITECTURAL PACKAGE

MAR 01, 2024

REV00

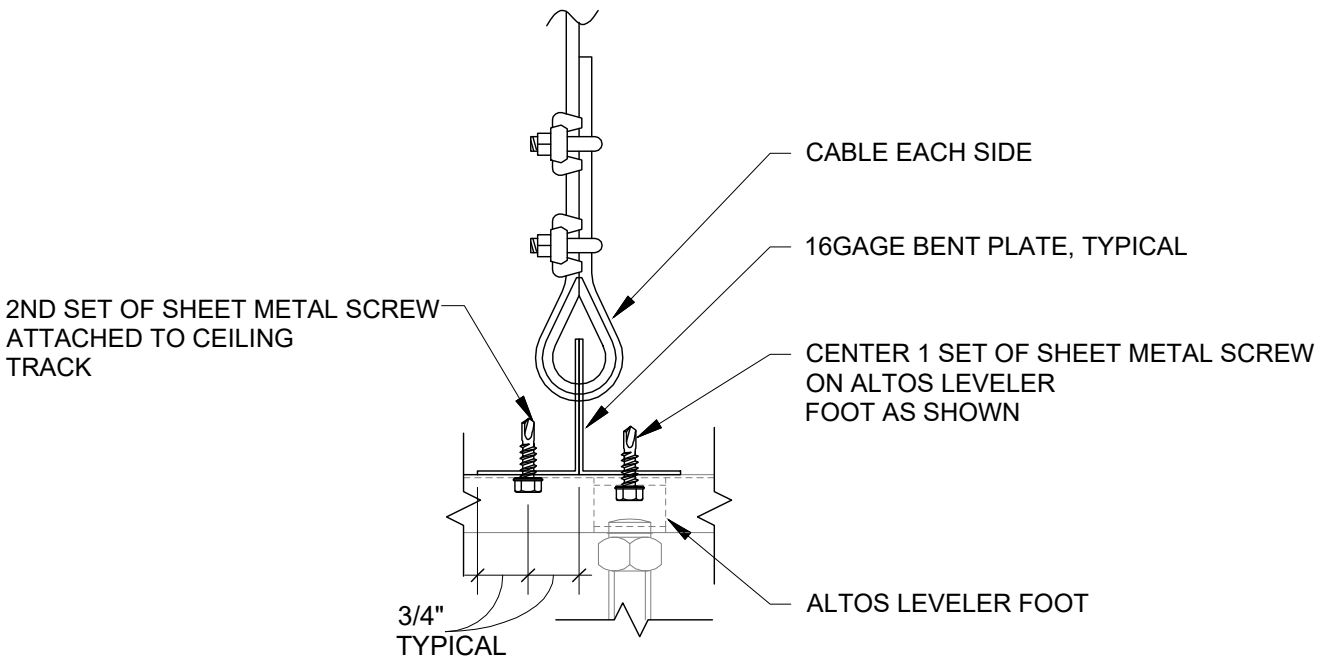
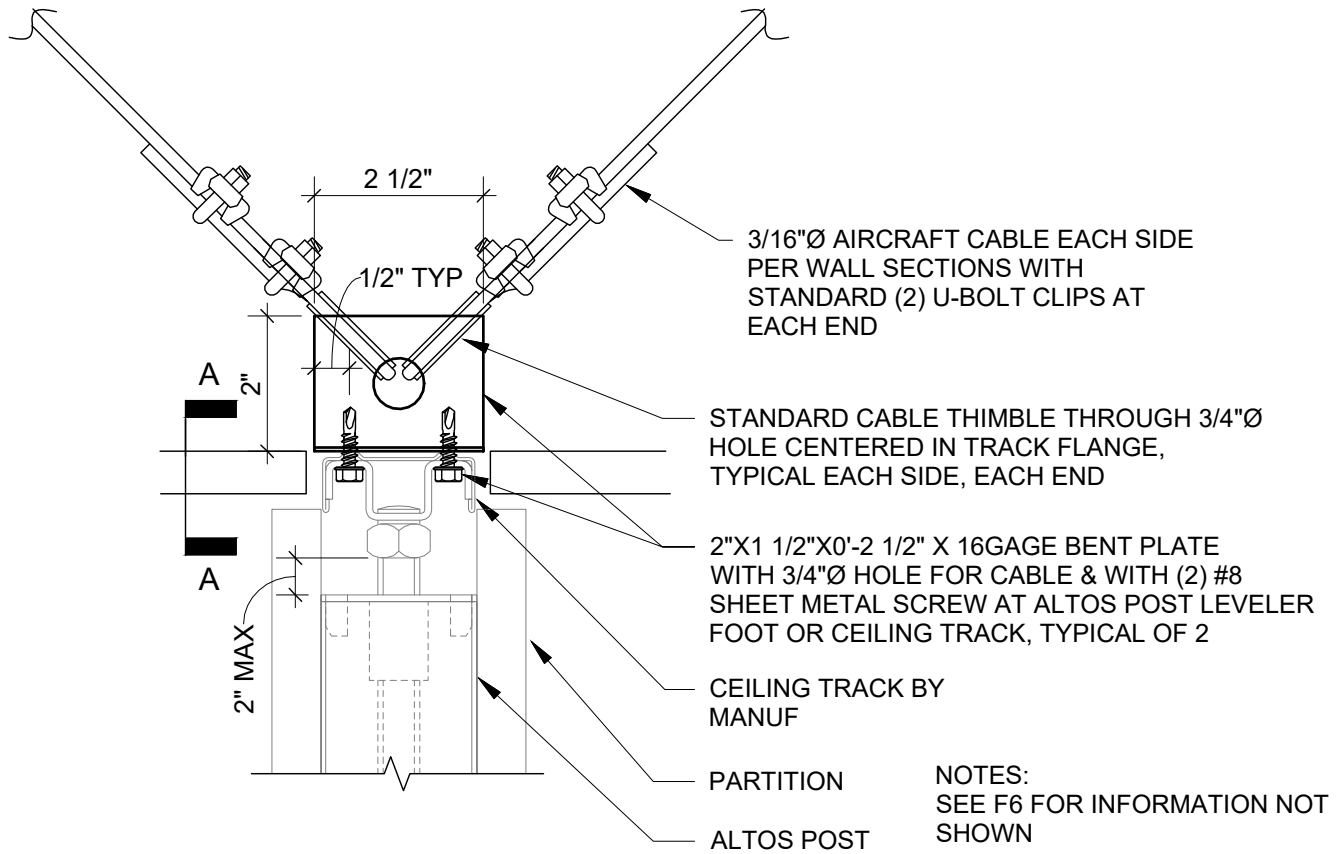
F6

This drawing is the property of Teknion Limited and is subject to return upon demand. It must not be copied or reproduced in any manner, nor submitted to any outside parties for examination without Teknion consent. This drawing must not be scaled, or used for construction purposes..

www.teknion.com

**teknion**

FOR VERY LOW ( $S_s < 0.35$ ), LOW ( $0.35 < S_s \leq 1.5$ ), MODERATE ( $1.5 < S_s \leq 2.0$ ), AND HIGH ( $2.0 < S_s \leq 2.75$ ) SEISMICITY



**DETAIL A-A**

**F7 - TOP TRACK TO CABLE CONNECTION**

SEISMIC APPLICATIONS

N.T.S.

ALTOS ARCHITECTURAL PACKAGE

MAR 01, 2024

REV00

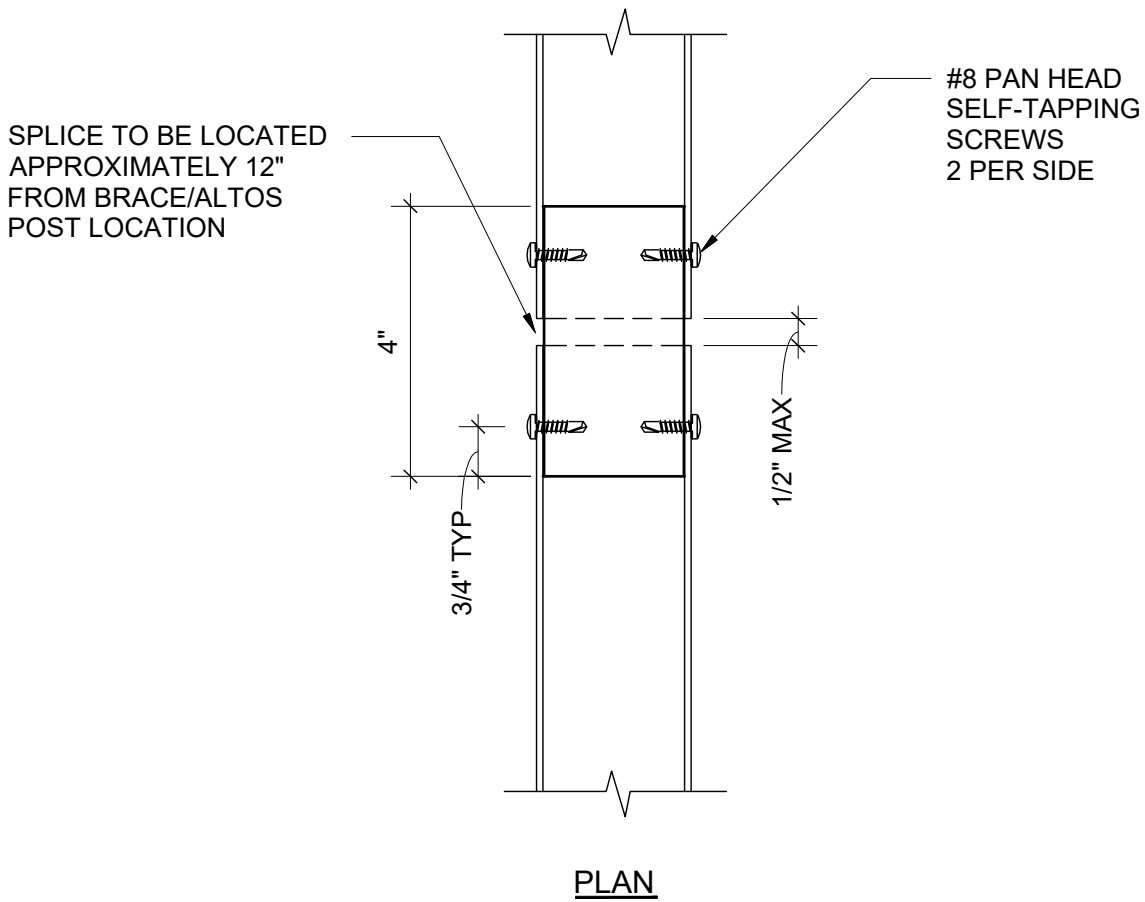
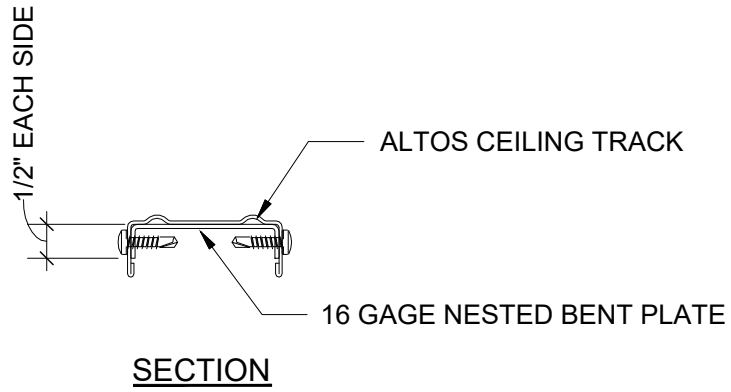
F7

This drawing is the property of Teknion Limited and is subject to return upon demand. It must not be copied or reproduced in any manner, nor submitted to any outside parties for examination without Teknion consent. This drawing must not be scaled, or used for construction purposes..

www.teknion.com

**teknion**

FOR VERY LOW ( $S_s < 0.35$ ), LOW ( $0.35 < S_s \leq 1.5$ ), MODERATE ( $1.5 < S_s \leq 2.0$ ), AND HIGH ( $2.0 < S_s \leq 2.75$ ) SEISMICITY



F8 - ALTOS PARTITION CEILING TRACK SPLICE DETAIL

SEISMIC APPLICATIONS

N.T.S.

ALTOS ARCHITECTURAL PACKAGE

MAR 01, 2024

REV00

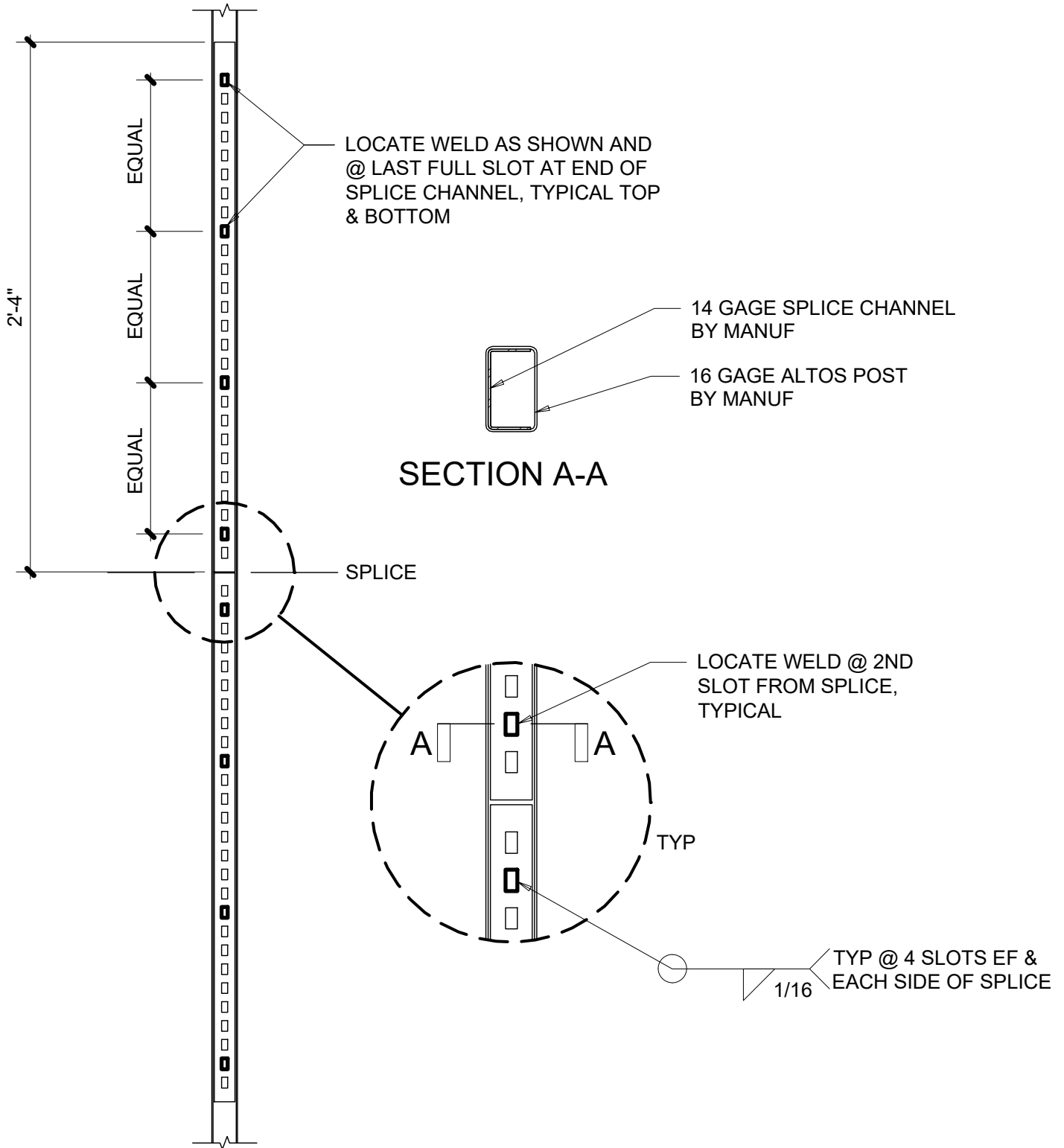
F8

This drawing is the property of Teknion Limited and is subject to return upon demand. It must not be copied or reproduced in any manner, nor submitted to any outside parties for examination without Teknion consent. This drawing must not be scaled, or used for construction purposes..

www.teknion.com

teknion

FOR VERY LOW ( $S_s < 0.35$ ), LOW ( $0.35 < S_s \leq 1.5$ ), MODERATE ( $1.5 < S_s \leq 2.0$ ), AND HIGH ( $2.0 < S_s \leq 2.75$ ) SEISMICITY



F9 - ENHANCED ALTOS POST SPLICE DETAIL

SEISMIC APPLICATIONS

N.T.S.

ALTOS ARCHITECTURAL PACKAGE

MAR 01, 2024

REV00

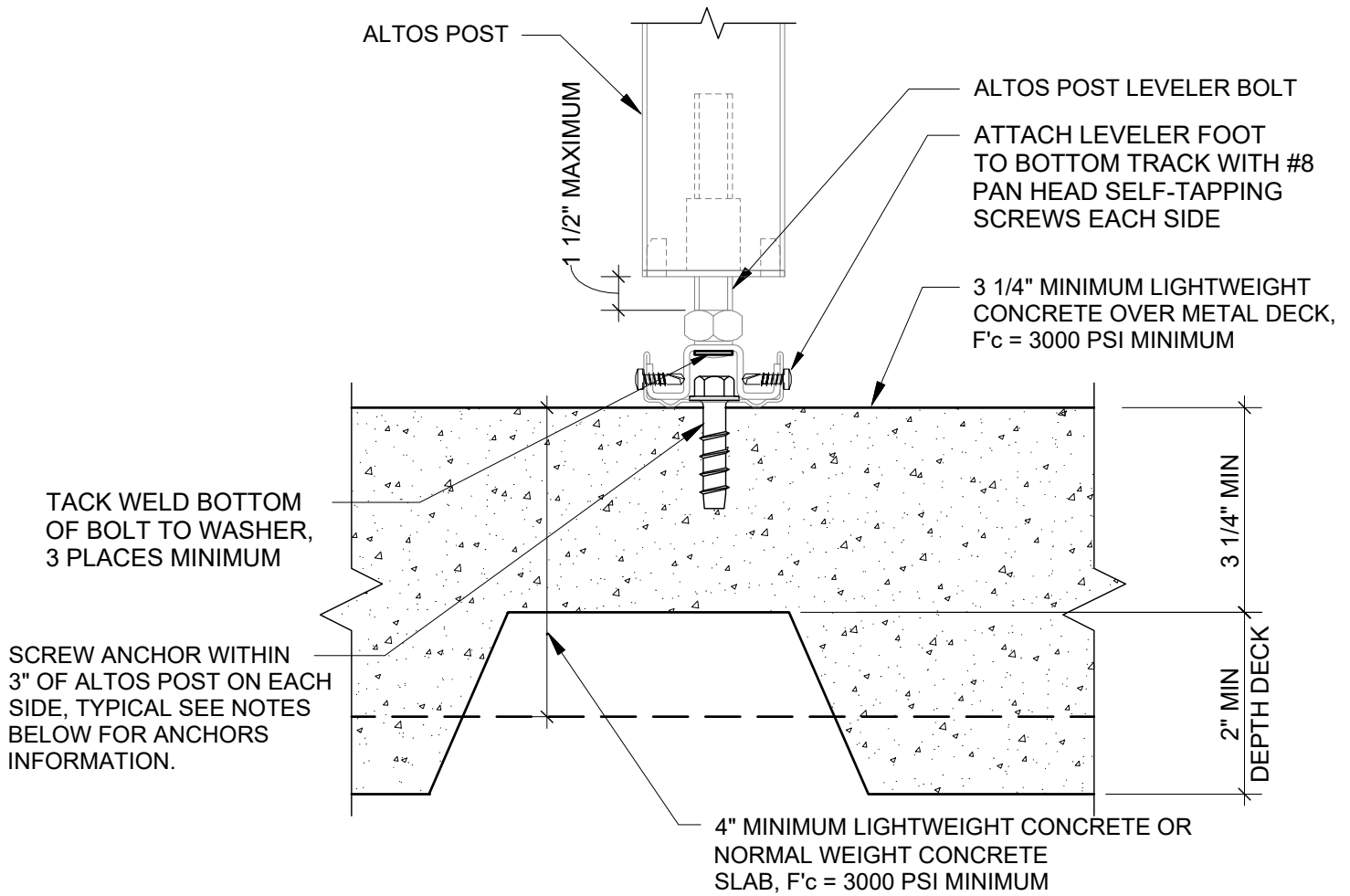
F9

This drawing is the property of Teknion Limited and is subject to return upon demand. It must not be copied or reproduced in any manner, nor submitted to any outside parties for examination without Teknion consent. This drawing must not be scaled, or used for construction purposes..

www.teknion.com

teknion

FOR VERY LOW ( $S_s < 0.35$ ), LOW ( $0.35 < S_s \leq 1.5$ ), MODERATE ( $1.5 < S_s \leq 2.0$ ), AND HIGH ( $2.0 < S_s \leq 2.75$ ) SEISMICITY



**NOTES:**

1. ACCEPTABLE ANCHORS ARE:
  - A. SIMPSON TITEN HD  $3/8" \text{Ø} \times 1.77"$
  - B. DEWALT SCREW-BOLT+  $1/4" \text{Ø} \times 1.94"$
2. SEE GENERAL NOTE F1 FOR ADDITIONAL ANCHOR INFORMATION.
3. SEE WALL ELEVATION FOR ADDITIONAL ANCHOR REQUIREMENTS AT WALL ENDS.

**F10 - ALTOS BASE ANCHORAGE CONNECTION TO CONCRETE SLAB**

SEISMIC APPLICATIONS

N.T.S.

ALTOS ARCHITECTURAL PACKAGE

MAR 01, 2024

REV00

F10

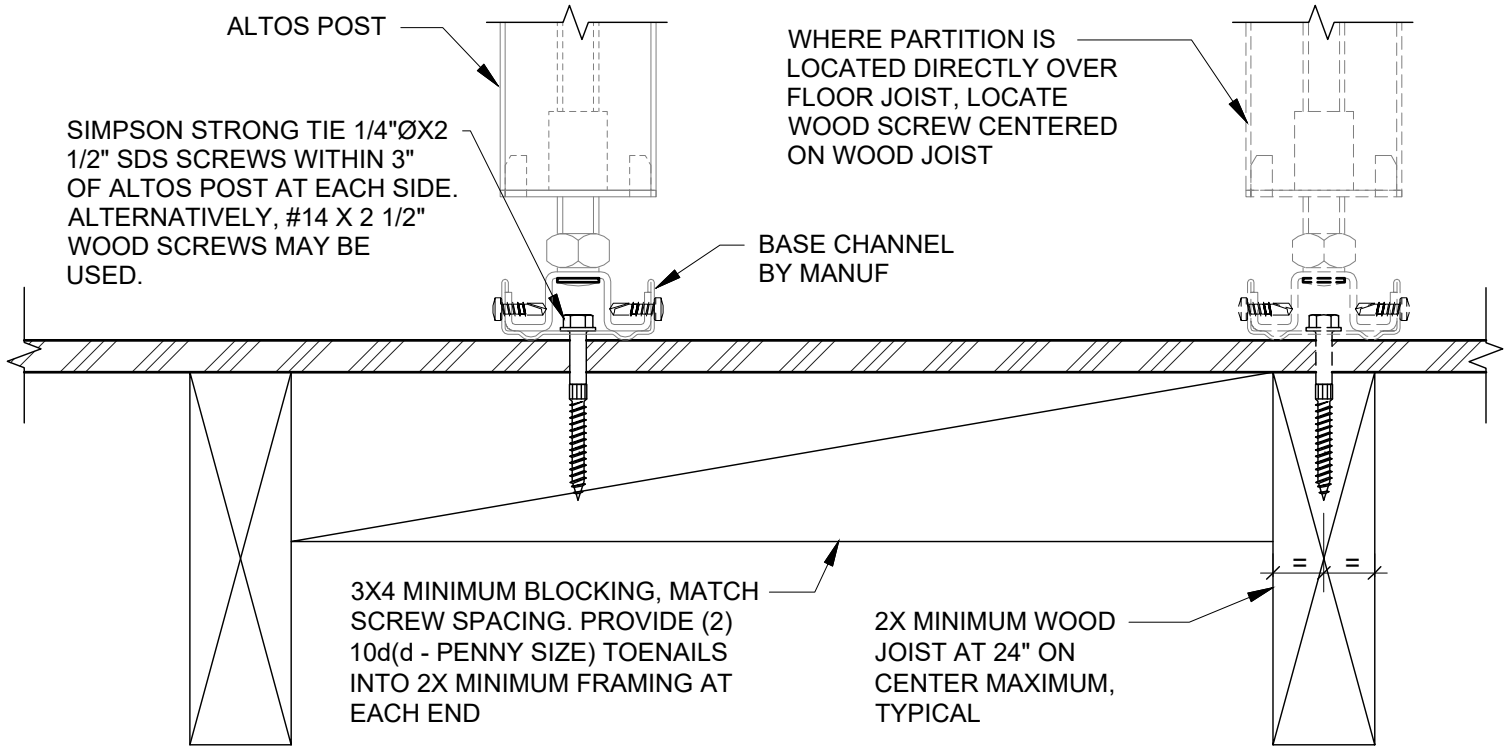
This drawing is the property of Teknion Limited and is subject to return upon demand. It must not be copied or reproduced in any manner, nor submitted to any outside parties for examination without Teknion consent. This drawing must not be scaled, or used for construction purposes.

www.teknion.com

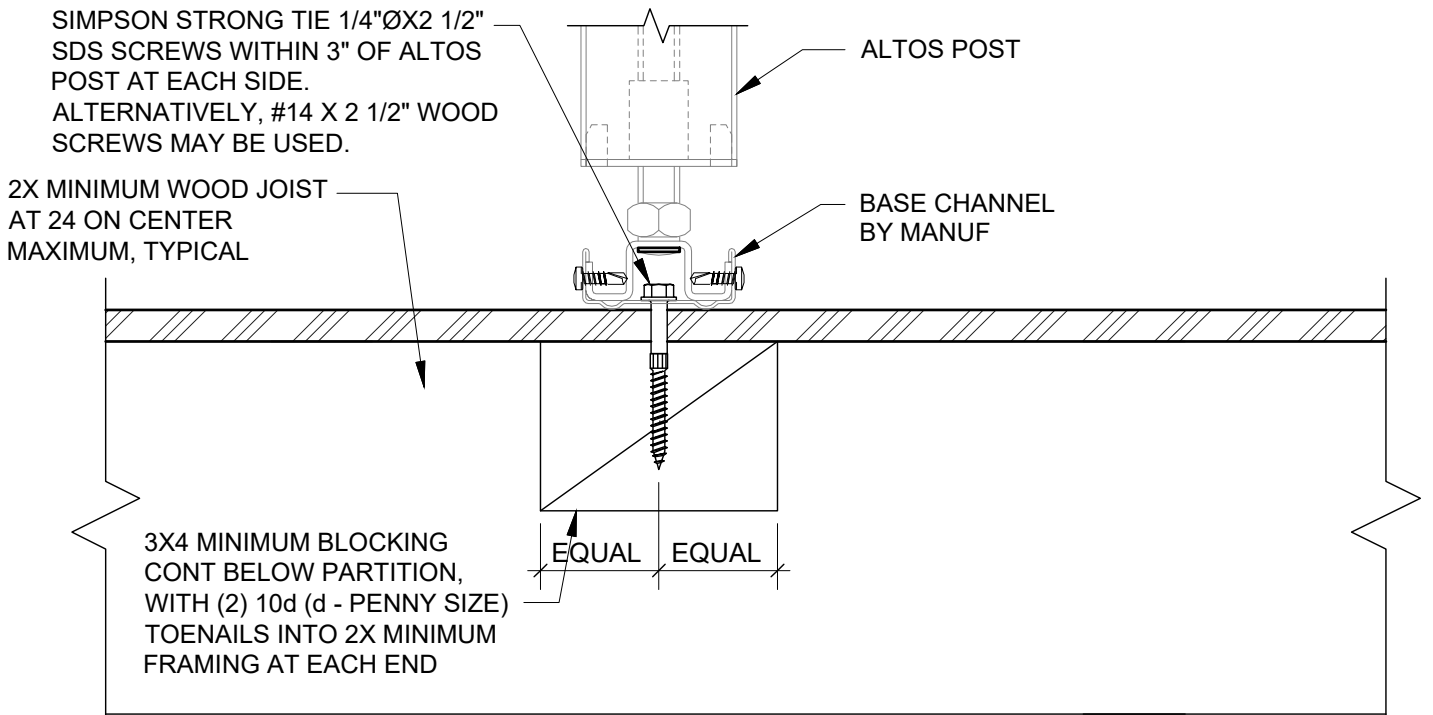
**teknion**



FOR VERY LOW ( $S_s < 0.35$ ), LOW ( $0.35 < S_s \leq 1.5$ ), MODERATE ( $1.5 < S_s \leq 2.0$ ), AND HIGH ( $2.0 < S_s \leq 2.75$ ) SEISMICITY



**PARTITION WALL PARALLEL TO WOOD FLOOR JOIST**



**PARTITION WALL PERPENDICULAR TO WOOD FLOOR JOIST**

**NOTES:**

1. SEE DETAIL F14 FOR ALTOS POST TO LEVELER FOOT & BASE CHANNEL CONNECTION INFORMATION
2. SEE WALL ELEVATION FOR ADDITIONAL ANCHOR REQUIREMENTS AT WALL ENDS

**F11 - ALTOS BASE ANCHORAGE AT WOOD FLOOR**

SEISMIC APPLICATIONS

N.T.S.

ALTOS ARCHITECTURAL PACKAGE

MAR 01, 2024

REV00

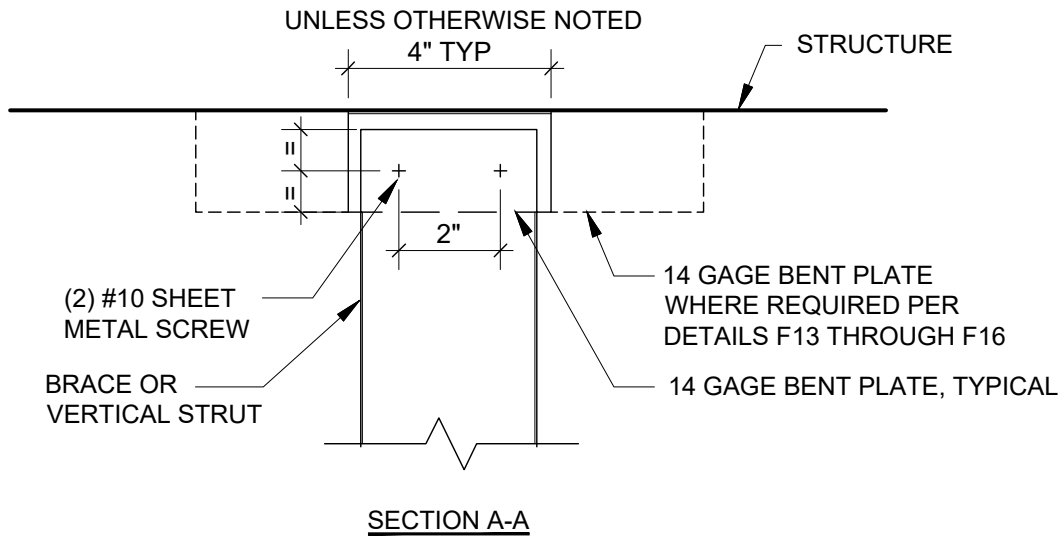
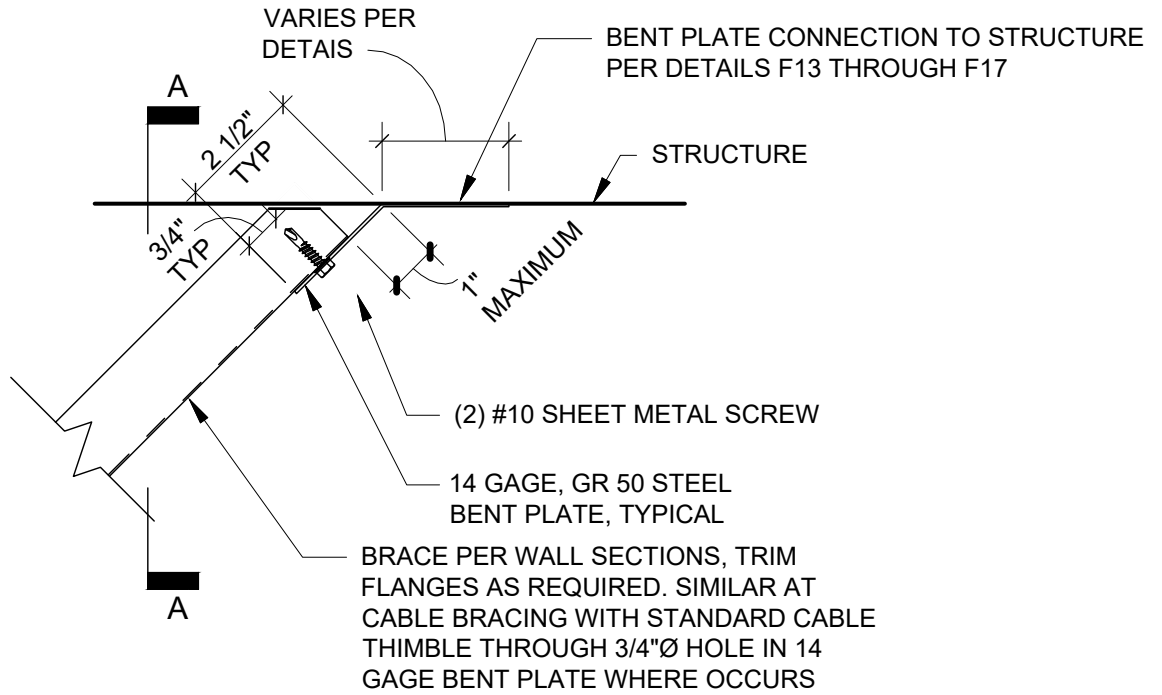
F11

This drawing is the property of Teknion Limited and is subject to return upon demand. It must not be copied or reproduced in any manner, nor submitted to any outside parties for examination without Teknion consent. This drawing must not be scaled, or used for construction purposes..

www.teknion.com

**teknion**

FOR VERY LOW ( $S_s < 0.35$ ), LOW ( $0.35 < S_s \leq 1.5$ ), MODERATE ( $1.5 < S_s \leq 2.0$ ), AND HIGH ( $2.0 < S_s \leq 2.75$ ) SEISMICITY



F12 - TYPICAL BRACE TO TOP BENT PLATE CONNECTION

SEISMIC APPLICATIONS

N.T.S.

ALTOS ARCHITECTURAL PACKAGE

MAR 01, 2024

REV00

F12

This drawing is the property of Teknion Limited and is subject to return upon demand. It must not be copied or reproduced in any manner, nor submitted to any outside parties for examination without Teknion consent. This drawing must not be scaled, or used for construction purposes.

www.teknion.com

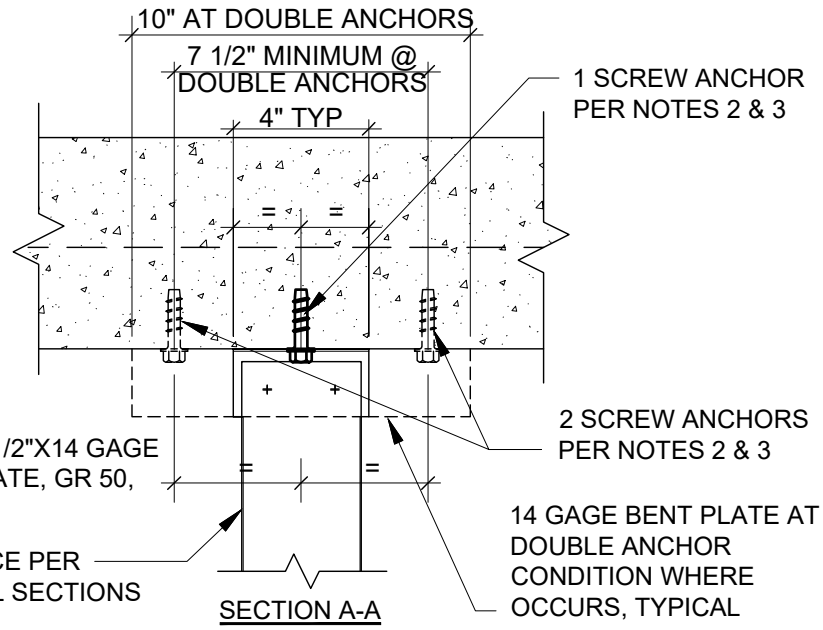
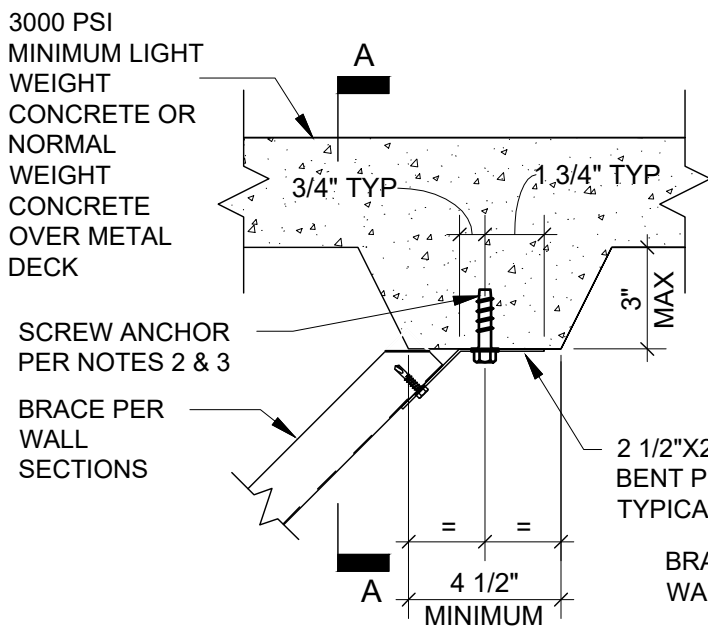
teknion

FOR VERY LOW ( $S_s < 0.35$ ), LOW ( $0.35 < S_s \leq 1.5$ ), MODERATE ( $1.5 < S_s \leq 2.0$ ), AND HIGH ( $2.0 < S_s \leq 2.75$ ) SEISMICITY

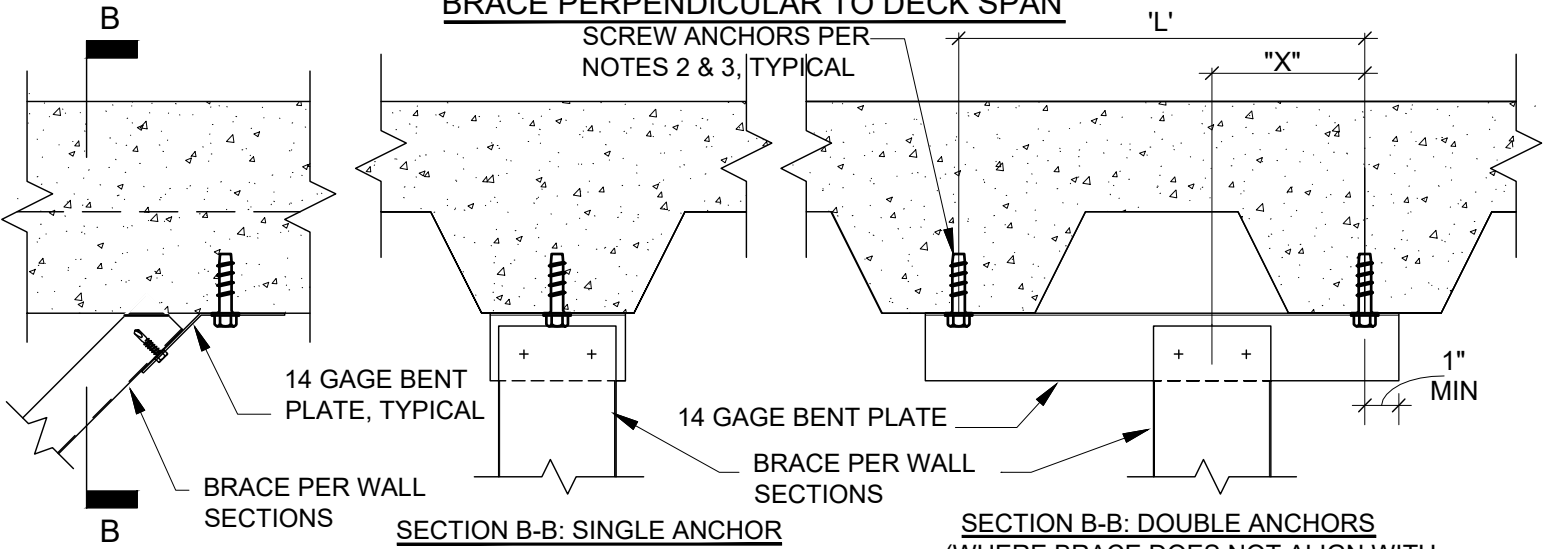
3000 PSI  
MINIMUM LIGHT  
WEIGHT  
CONCRETE OR  
NORMAL  
WEIGHT  
CONCRETE  
OVER METAL  
DECK

SCREW ANCHOR  
PER NOTES 2 & 3

BRACE PER  
WALL  
SECTIONS



**BRACE PERPENDICULAR TO DECK SPAN**



NOTE: SEE BRACE PERPENDICULAR TO DECK SPAN DETAILS FOR INFORMATION NOT SHOWN

SECTION B-B: DOUBLE ANCHORS  
(WHERE BRACE DOES NOT ALIGN WITH DECK LOW FLUTE OR DOUBLE ANCHORS ARE REQUIRED PER NOTE 2)

**NOTES:**

1. ACCEPTABLE ANCHORS ARE:

- A. SIMPSON TITEN HD 3/8"Ø x 1.77"
- B. DEWALT SCREW-BOLT+ 3/8"Ø x 1.75"
- C. HILTI HUS-EZ 3/8"Ø x 1.86"

2. LOW & MODERATE SEISMICITY: (1) 3/8"Ø ANCHOR (PER NOTE 1) IS REQUIRED AT EACH BRACE CONNECTION. HIGH SEISMICITY: (2) 3/8"Ø ANCHORS (PER NOTE 1) IS REQUIRED AT EACH BRACE CONNECTION (EXCEPT WHERE BRACES DO NOT ALIGN WITH LOW FLUTE IN SECTION B-B), TYPICAL WHERE SIMPSON TITEN HD ANCHORS ARE USED, (2) 3/8"Ø ANCHORS ARE REQUIRED.

3. WHERE DOUBLE BRACES ARE CALLED OUT ON PARTITION ELEVATIONS (1) 3/8"Ø ANCHOR (PER NOTE 1) IS REQUIRED AT EACH BRACE CONNECTION (EXCEPT WHERE BRACES DO NOT ALIGN WITH DECK LOW FLUTE IN SECTION B-B), TYPICAL WHERE SIMPSON TITEN HD ANCHORS ARE USED, (2) 3/8"Ø ANCHORS ARE REQUIRED.

4. AT ALTOS PARTITION WITH 3 OR MORE SHELVES, (2) ANCHORS ARE REQUIRED AT EACH BRACE CONNECTION FOR ALL ANCHOR TYPES (PER NOTE 1).

"X" = 'L'/3 (MODERATE SEISMICITY)

"X" = 'L'/2 (HIGH SEISMICITY)

**BRACE PARALLEL TO DECK SPAN**

**F13 - ALTOS TOP OF BRACE CONNECTION AT CONCRETE OVER METAL DECK**

SEISMIC APPLICATIONS

N.T.S.

ALTOS ARCHITECTURAL PACKAGE

MAR 01, 2024

REV00

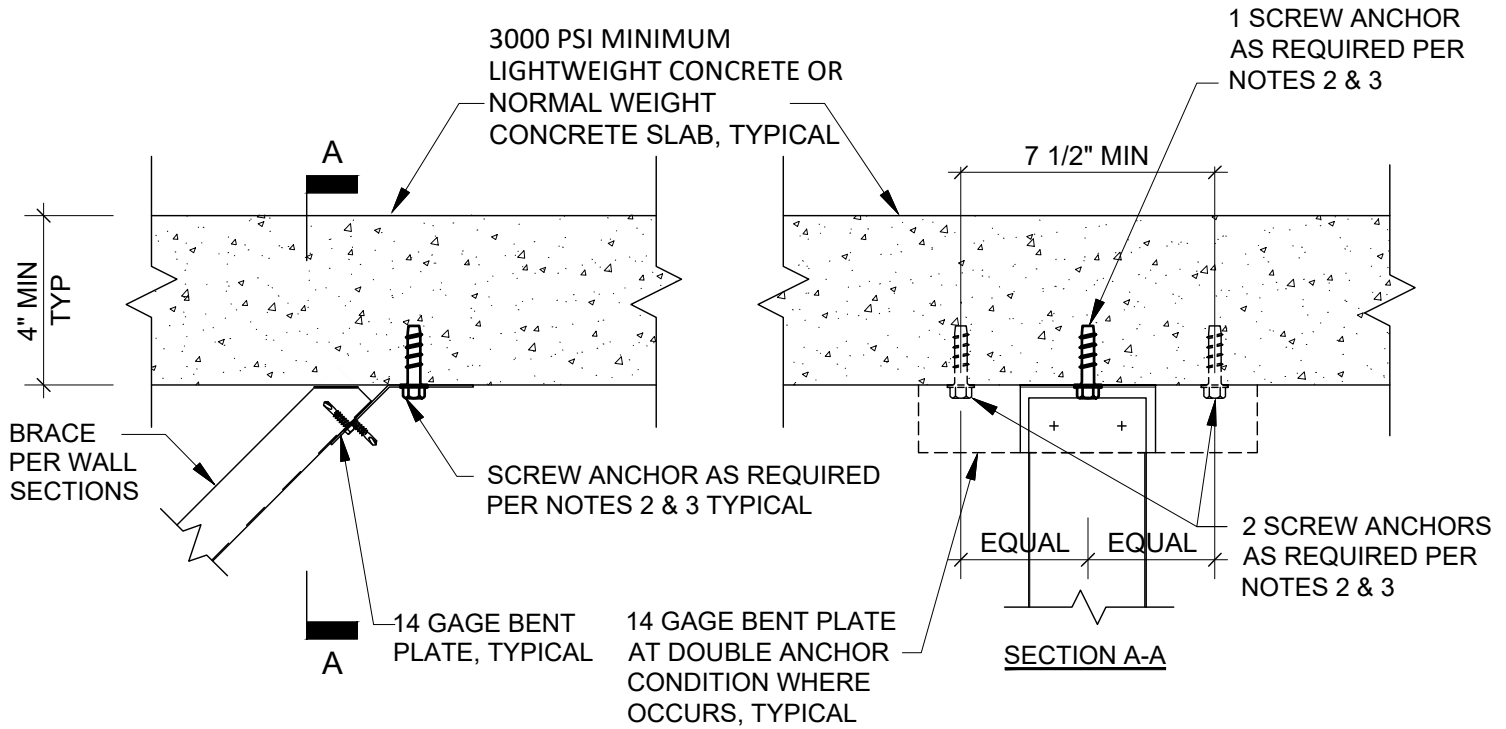
F13

This drawing is the property of Teknion Limited and is subject to return upon demand. It must not be copied or reproduced in any manner, nor submitted to any outside parties for examination without Teknion consent. This drawing must not be scaled, or used for construction purposes.

www.teknion.com

**teknion**

FOR VERY LOW ( $S_s < 0.35$ ), LOW ( $0.35 < S_s \leq 1.5$ ), MODERATE ( $1.5 < S_s \leq 2.0$ ), AND HIGH ( $2.0 < S_s \leq 2.75$ ) SEISMICITY



**NOTES:**

1. ACCEPTABLE ANCHORS ARE:
  - A. SIMPSON TITEN HD 3/8"Ø x 1.77"
  - B. DEWALT SCREW-BOLT+ 3/8"Ø x 1.75"
  - C. HILTI HUS-EZ 3/8"Ø x 1.86"
2. AT NORMAL WEIGHT CONCRETE SLAB, (1) 3/8"Ø ANCHOR (PER NOTE 1) IS REQUIRED AT EACH BRACE CONNECTION. FOR HIGH SEISMICITY, IF SIMPSON TITEN HD ANCHORS ARE USED, (2) 3/8"Ø ANCHORS (PER NOTE 1) ARE REQUIRED.
  - A) WHERE DOUBLE BRACES ARE CALLED OUT ON PARTITION ELEVATIONS, (1) 3/8"Ø ANCHOR (PER NOTE 1) IS REQUIRED AT EACH BRACE CONNECTION.
3. AT LIGHTWEIGHT CONCRETE SLAB, (1) 3/8"Ø ANCHOR (PER NOTE 1) IS REQUIRED AT EACH BRACE CONNECTION, TYPICALLY. WHERE DOUBLE BRACES ARE CALLED OUT ON PARTITION ELEVATIONS, (1) 3/8"Ø ANCHOR (PER NOTE 1) IS REQUIRED AT EACH BRACE CONNECTION TYPICALLY. WHERE SIMPSON TITEN HD ANCHORS ARE USED, (2) 3/8"Ø ANCHORS (PER NOTE 1) ARE REQUIRED. AT ALTOS PARTITION WITH 3 OR MORE SHELVES, (2) ANCHORS ARE REQUIRED AT EACH BRACE CONNECTION FOR ALL ANCHOR TYPES (PER NOTE 1).
4. SEE GENERAL NOTE F1 FOR ADDITIONAL ANCHOR INFORMATION.
5. SEE DETAIL F13 FOR SIMILAR BRACE INFORMATION NOT SHOWN.

**F14 - ALTOS TOP OF BRACE CONNECTION AT CONCRETE SLAB**

SEISMIC APPLICATIONS

N.T.S.

ALTOS ARCHITECTURAL PACKAGE

MAR 01, 2024

REV00

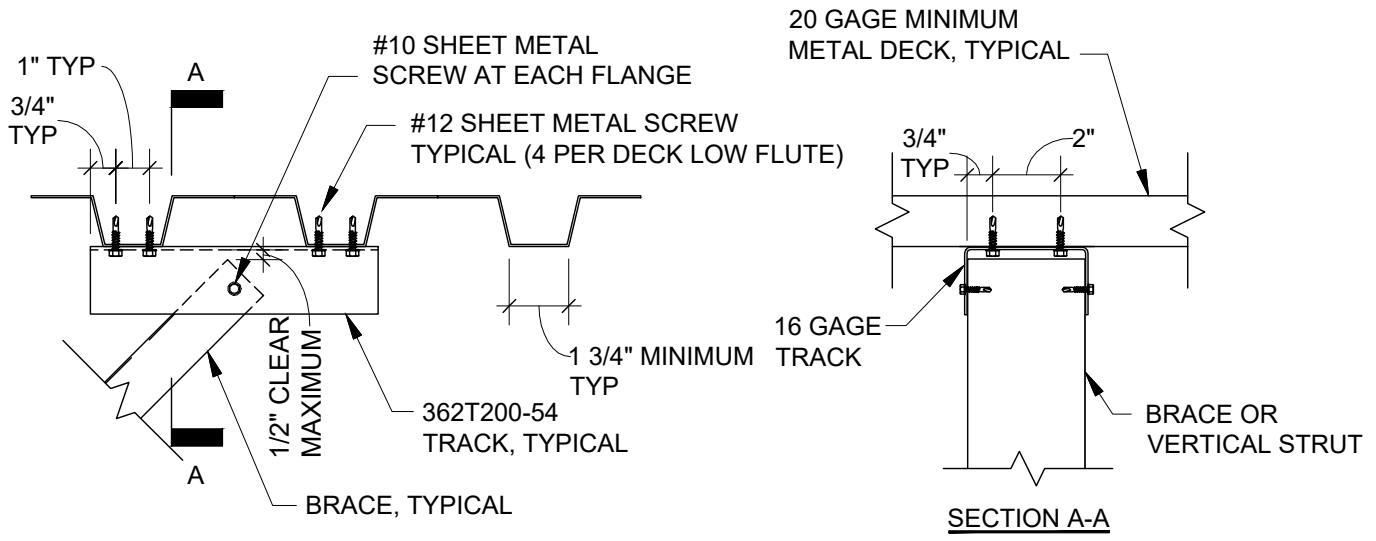
F14

This drawing is the property of Teknion Limited and is subject to return upon demand. It must not be copied or reproduced in any manner, nor submitted to any outside parties for examination without Teknion consent. This drawing must not be scaled, or used for construction purposes..

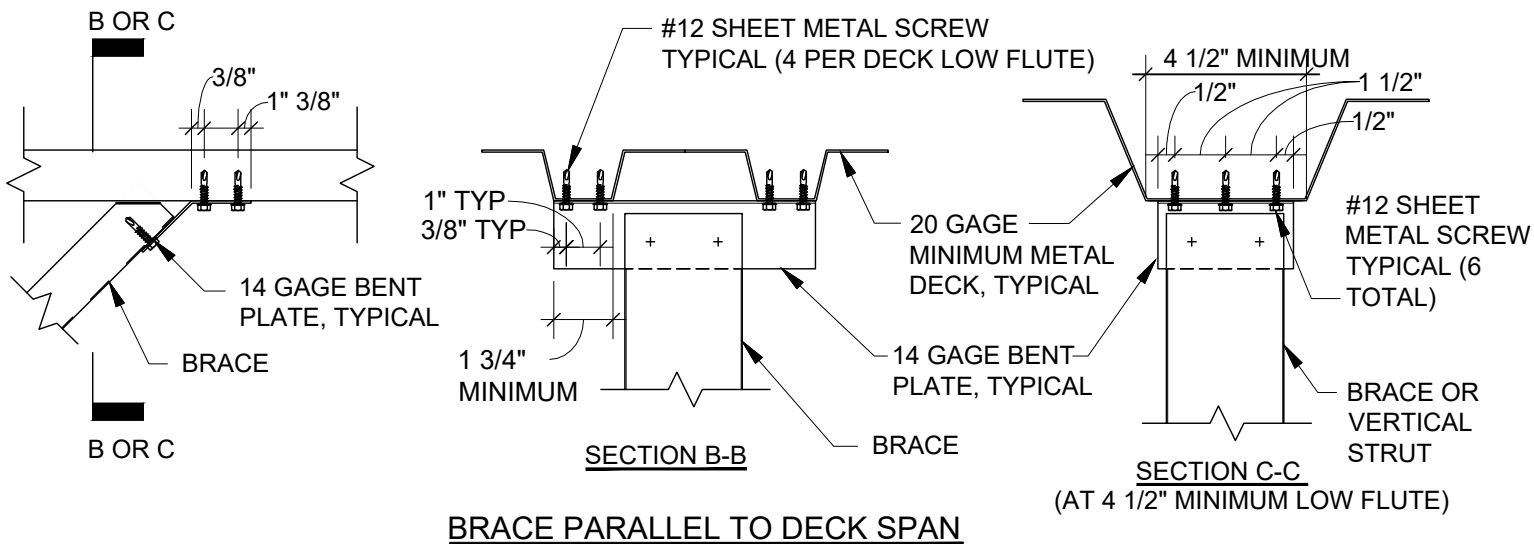
www.teknion.com

**teknion**

FOR VERY LOW ( $S_s < 0.35$ ), LOW ( $0.35 < S_s \leq 1.5$ ), MODERATE ( $1.5 < S_s \leq 2.0$ ), AND HIGH ( $2.0 < S_s \leq 2.75$ ) SEISMICITY



**BRACE PERPENDICULAR TO DECK SPAN**



**BRACE PARALLEL TO DECK SPAN**

**F15 - TOP OF BRACE & VERTICAL STRUCTURE CONNECTION AT METAL DECK**

SEISMIC APPLICATIONS

N.T.S.

ALTOS ARCHITECTURAL PACKAGE

MAR 01, 2024

REV00

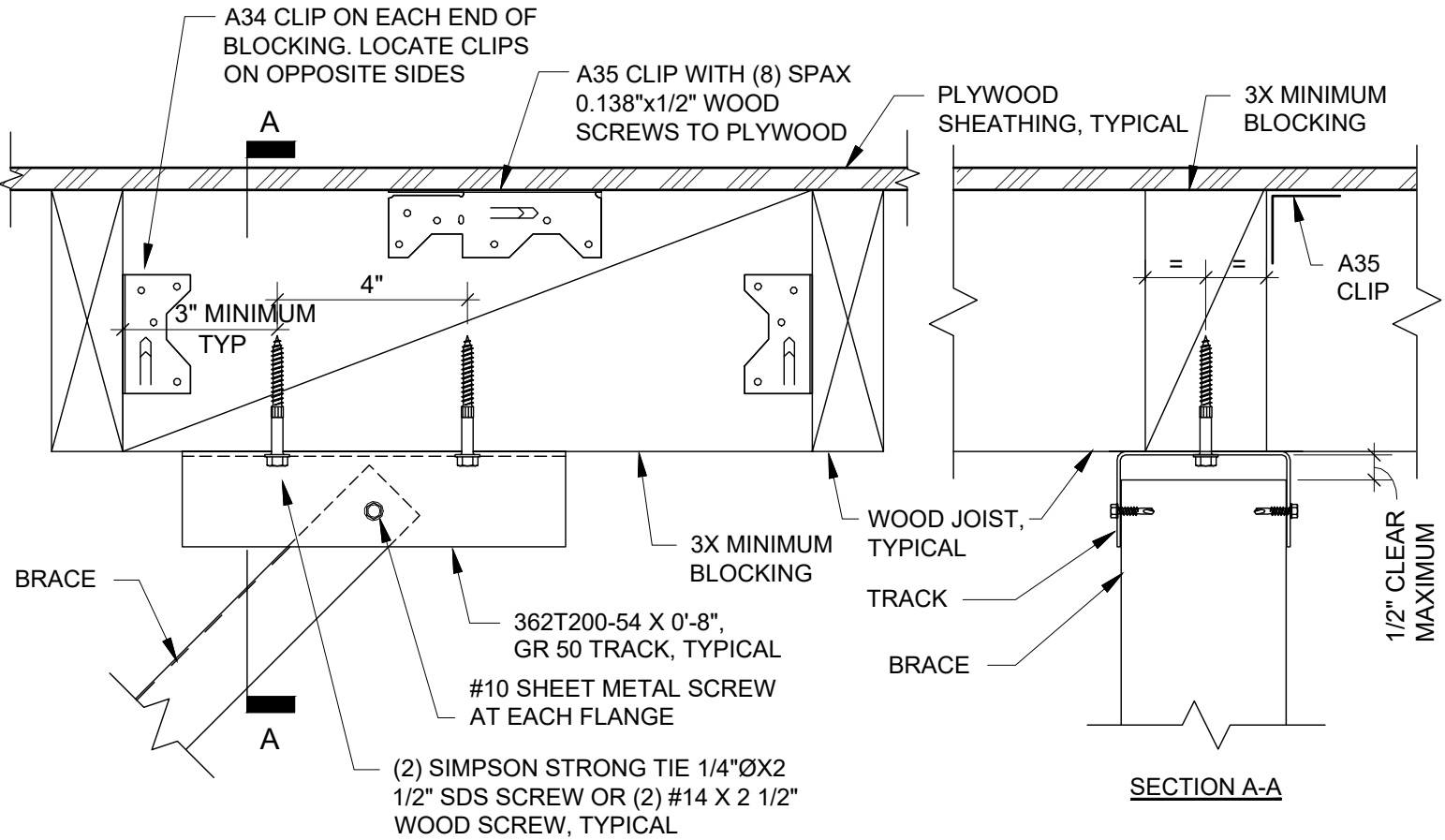
F15

This drawing is the property of Teknion Limited and is subject to return upon demand. It must not be copied or reproduced in any manner, nor submitted to any outside parties for examination without Teknion consent. This drawing must not be scaled, or used for construction purposes.

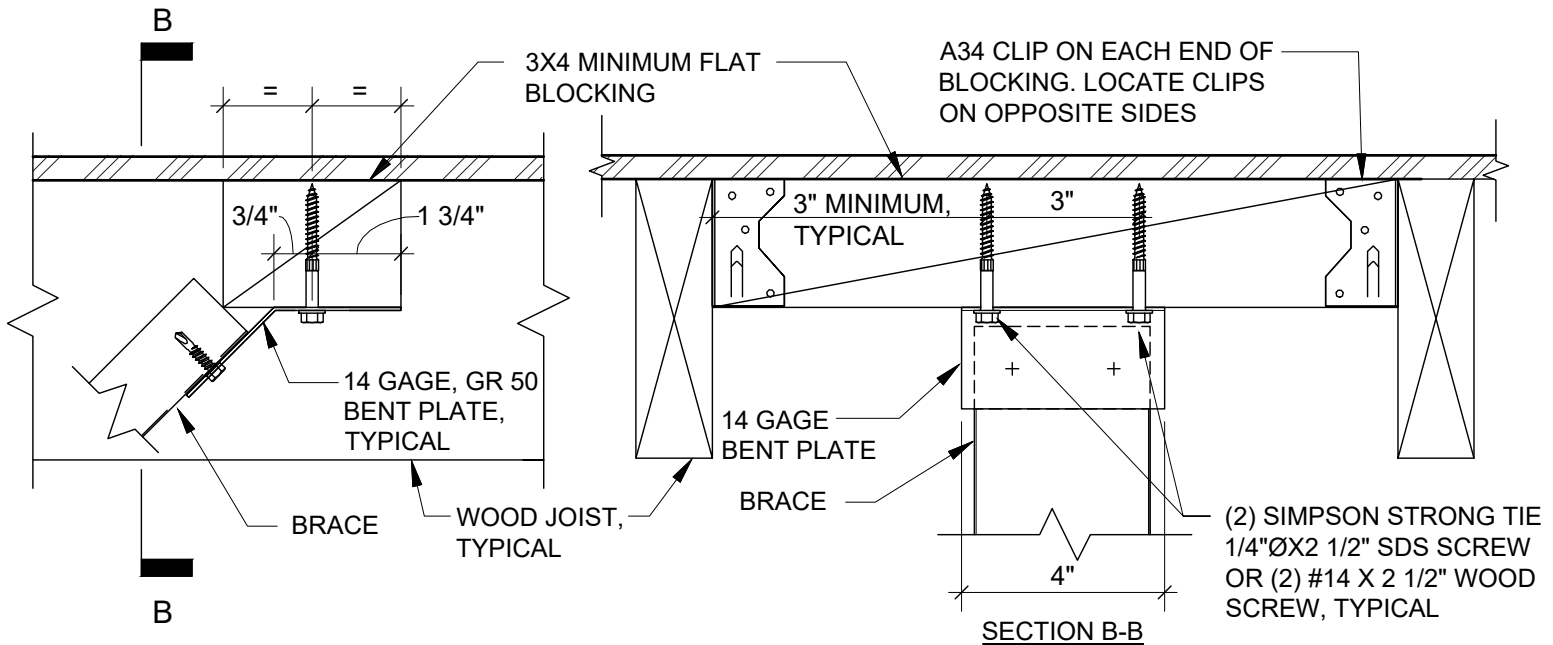
www.teknion.com

**teknion**

FOR VERY LOW ( $S_s < 0.35$ ), LOW ( $0.35 < S_s \leq 1.5$ ), MODERATE ( $1.5 < S_s \leq 2.0$ ), AND HIGH ( $2.0 < S_s \leq 2.75$ ) SEISMICITY



**BRACE PERPENDICULAR TO WOOD FLOOR JOIST**



**BRACE PARALLEL TO WOOD FLOOR JOIST**

**F16 - TOP OF BRACE CONNECTION AT WOOD FLOOR**

SEISMIC APPLICATIONS

N.T.S.

ALTOS ARCHITECTURAL PACKAGE

MAR 01, 2024

REV00

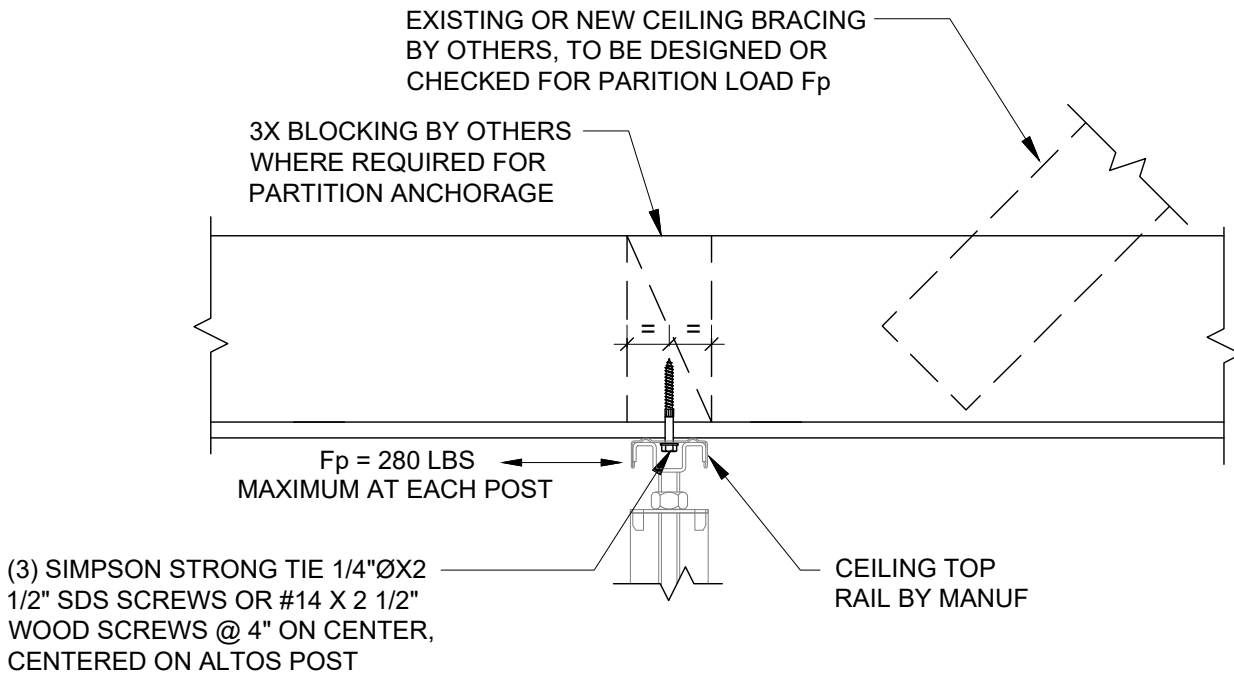
F16

This drawing is the property of Teknion Limited and is subject to return upon demand. It must not be copied or reproduced in any manner, nor submitted to any outside parties for examination without Teknion consent. This drawing must not be scaled, or used for construction purposes..

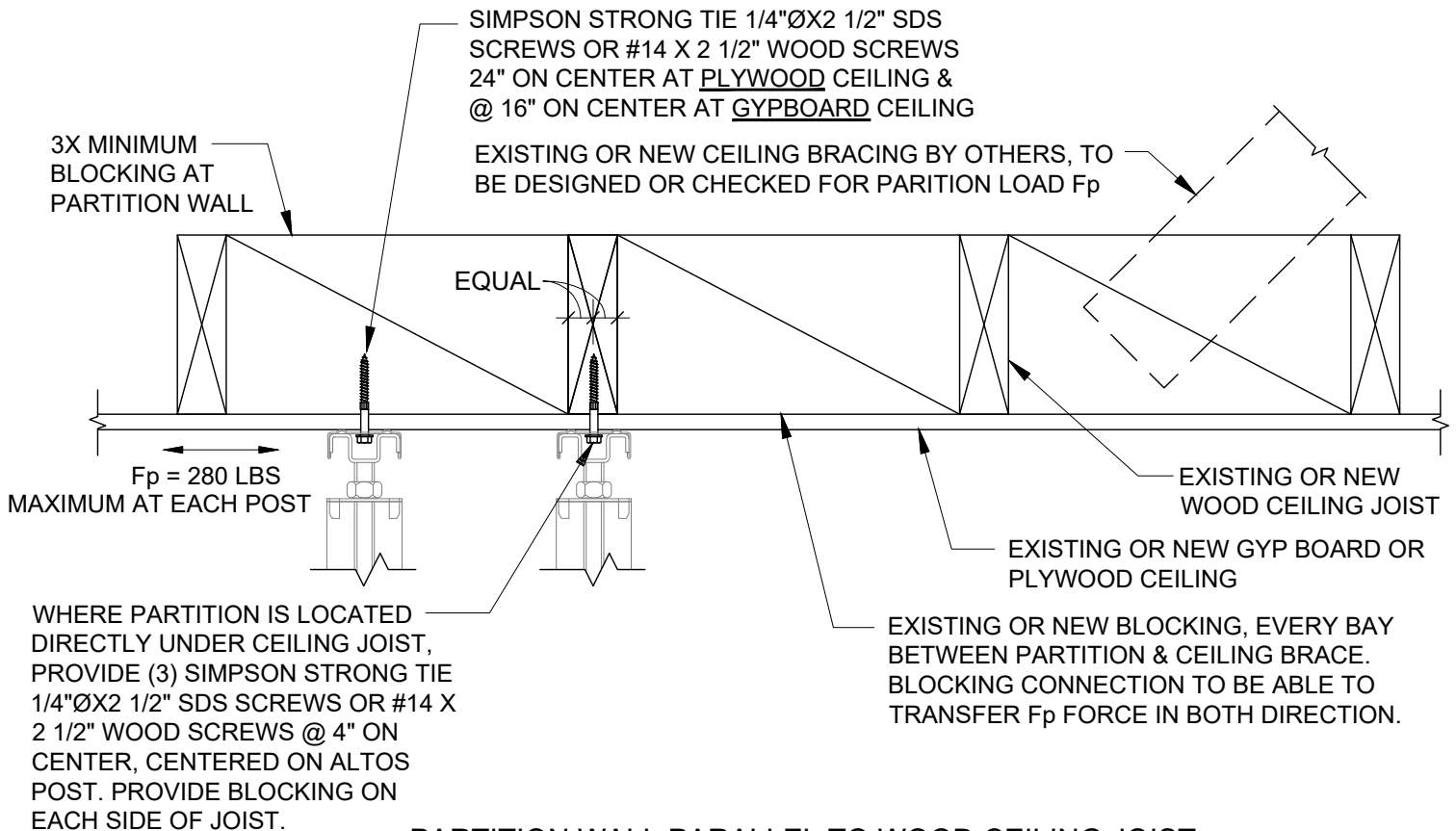
www.teknion.com

**teknion**

FOR VERY LOW ( $S_s < 0.35$ ), LOW ( $0.35 < S_s \leq 1.5$ ), MODERATE ( $1.5 < S_s \leq 2.0$ ), AND HIGH ( $2.0 < S_s \leq 2.75$ ) SEISMICITY



**PARTITION WALL PERPENDICULAR TO WOOD CEILING JOIST**



**PARTITION WALL PARALLEL TO WOOD CEILING JOIST**

**F17 - TOP RAIL CONNECTION TO HARD-LID CEILING**

SEISMIC APPLICATIONS

N.T.S.

ALTOS ARCHITECTURAL PACKAGE

MAR 01, 2024

REV00

F17

This drawing is the property of Teknion Limited and is subject to return upon demand. It must not be copied or reproduced in any manner, nor submitted to any outside parties for examination without Teknion consent. This drawing must not be scaled, or used for construction purposes..

www.teknion.com

**teknion**

FOR VERY LOW ( $S_s < 0.35$ ), LOW ( $0.35 < S_s \leq 1.5$ ), MODERATE ( $1.5 < S_s \leq 2.0$ ), AND HIGH ( $2.0 < S_s \leq 2.75$ ) SEISMICITY

## TABLE - A

### NUMBER OF SHELVING UNITS PERMITTED PER TEKNION ALTOS PARTITION PANEL<sup>1,2,3,4</sup>

ALTOS PARTITION HEIGHT				
SEISMICITY	8'-0"	9'-0"	10'-0"	12'-0"
VERY LOW	3 PER PANEL 444 LBS	3 PER PANEL 444 LBS	2 PER PANEL 296 LBS	2 PER PANEL 296 LBS
LOW	2 PER PANEL 296 LBS	1 PER PANEL 148 LBS	0 PER PANEL -	0 PER PANEL -
MODERATE	1 PER PANEL 148 LBS	0 PER PANEL -	0 PER PANEL -	0 PER PANEL -
HIGH	0 PER PANEL -	0 PER PANEL -	0 PER PANEL -	0 PER PANEL -

#### TABLE NOTES

- "PANEL" REFERS TO A 4-FOOT WIDE ALTOS PANEL, WITH MAXIMUM HEIGHT OF 12 FEET.
- THIS VALUE IS THE TOTAL ALLOWABLE WEIGHT OF SHELVING UNITS AND THEIR CONTENTS PER 4-FOOT WIDE PANEL, ABOVE AND BEYOND THE PARTITION WEIGHT OF 312 POUNDS PER PANEL.
- THESE NUMBERS ARE BASED ON ALLOWABLE LOAD CAPACITY OF A PARTITION POST AND POST INSTALLED CONCRETE ANCHORAGE CAPACITIES.
- "SHELVING UNITS" REFERS TO ANY OF THE FOLLOWING: BINDER BINS, SHELVES, WORKSURFACES, OR ANY OTHER ATTACHMENT THAT MAY CAUSE SIGNIFICANT WEIGHT TO BE SUPPORTED BY THE PARTITION.

#### F18 - ALTOS PARTITION TABLE - NUMBER OF PERMITTED SHELVING UNITS

SEISMIC APPLICATIONS

N.T.S.

ALTOS ARCHITECTURAL PACKAGE

MAR 01, 2024

REV00

F18

This drawing is the property of Teknion Limited and is subject to return upon demand. It must not be copied or reproduced in any manner, nor submitted to any outside parties for examination without Teknion consent. This drawing must not be scaled, or used for construction purposes..

www.teknion.com

**teknion**



NAME	PAGE
<b>FASCIAS</b>	
BASE FASCIA	A03-1, A03-2, A04, A05-1, A05-2, A06, A07-1, A07-2, A08
CEILING FASCIA	A03-1, A03-2, A04, A05-1, A05-2, A06, A07-1, A07-2, A08, B02, B06, B08, B10, B12, B14, B16
SOLID	A01-1, A01-2, A05-1, A05-2, A10, A11, B01, B15, C01, D01, D02, D03, E03, A12, A22, A23,
FABRIC WRAPPED	A02, A06, B01, D01, D02, E04, E05
ACOUSTIC TACKABLE	A03-1, A03-2, B05, C02, E05, A18,
METAL MICROPERFORATED	A04, A06, B05, B11
METAL BACKER	A03-1, A03-2, A04, B05, B11, C02, E05
FRAMED WHITEBOARD	A05-1, A05-2, B09
FRAMELESS WHITEBOARD	A06, B07, B09, E05
SINGLE GLASS	A07-1, A07-2, A09, C01
DOUBLE GLASS	A08, B13, B16, E04
ALUMINUM FASCIA KIT	A09, B13, A25,
LANDSCAPE FIXED DESK FASCIA	E01
LANDSCAPE HEIGHT-ADJUSTABLE DESK FASCIA	A11, D03, E02
FILLER PANEL	A10, B07, A20,
GLAZED FASCIA	A13, A14, A16, A17, A21, A24,
MONOLITHIC FASCIA	A15, A19,
<b>DOOR PACKAGES</b>	
HINGED DOOR AND FRAME	A09, B01, B02, B36, B37,
FRAMED GLASS PIVOT DOOR	B05, B06
HINGED GLASS DOOR	A11, B07, B08, E01, B43,
HINGED GLASS DOOR HEADER	B44, B45,
LOW PROFILE GLASS SLIDING DOOR	B11, B12
HINGED DOUBLE DOOR	B13, B14, B38, B39,
HINGED GLASS DOUBLE DOOR	B15, B16, B46, B47
SLIDING EXTERIOR GLASS DOOR, LOCKING FLOOR PULL	B17, B18
SLIDING INTERIOR GLASS DOOR, NON-LOCKING CEILING PULL	B19, B20
SLIDING EXTERIOR GLASS DOOR, NON-LOCKING FLOOR PULL	B21, B22
SLIDING INTERIOR SOLID DOOR, LOCKING CEILING PULL	B23, B24
SLIDING EXTERIOR SOLID GLASS INSERT DOOR, LOCKING FLOOR PULL	B25, B26
SLIDING INTERIOR SOLID GLASS INSERT DOOR, NON-LOCKING CEILING PULL	B27, B28
SLIDING EXTERIOR SOLID DOOR, NON-LOCKING FLOOR PULL	B29, B30
EXTERIOR GLASS SLIDING DOOR, LOCKING CEILING PULL	B31, B32
EXTERIOR GLASS SLIDING DOOR, LOCKING FLOOR PULL	B33, B34
DOOR HEADER	B35, B40,
DOOR JAMB	B41,
PIVOT DOOR W/ GLAZED TRANSOM	B42,
<b>FRAME KITS &amp; COMPONENTS</b>	
CEILING CHANNEL	A01-1, A02, A03-1, A04, A05-1, A06, A07-1, B02, B04, B06, B08, B10, B12, B14, B16
BASE CHANNEL	A01-1, A02, A03-1, A04, A05-1, A06, A07-1, D03, E03
WALL START	B03, B11, C01, E01, E02
VARIABLE ANGLE WALL START	C01, C07,
WALL FINISHED END	C02
ADJUSTABLE WALL END	C07,
LANDSCAPE FUNCTIONAL RAIL	A03-2, B01, B07, B09, D02, E03, E04, E05
LANDSCAPE DESK FRAME	A11, D03, E01, E02
CORNER CONNECTION	C03, C05, C06, C09, C10, C11
CEILING CONNECTION	C04, A19,
MODULE CONNECTION	C08,
<b>LIGHTING, ELECTRICS &amp; COMMUNICATIONS</b>	
LIGHT SWITCH	D01, D09,
RECEPTACLE MODULE	D01
POWER DATA COMMUNICATIONS MODULE	D02
LANDSCAPE WALL MOUNTED LIGHT	D02
IN-WALL DISTRIBUTION BOX	A11, E02
POWER ROD	D03
POWER CUBE	D03, E02
HARDWIRE ELECTRICS	D06, D07, D08,
TV SHROUD	D04, D05
<b>COLLECTION &amp; ACCESSORIES</b>	
LANDSCAPE FIXED DESK	E01
LANDSCAPE IN-WALL CONNECTION FOR FIXED DESK	E01
LANDSCAPE HEIGHT-ADJUSTABLE DESK	A11, D03, E02
LANDSCAPE IN-WALL CONNECTION FOR HEIGHT-ADJUSTABLE DESK	A11, D03, E02
LANDSCAPE WALL-MOUNTED CABINET	E03
FITTED SEAT CUSHION	E03
SHELF - ALUMINUM	A02, E04
SHELF - GLASS	A08, B13, E04
SHELF - SOLID	A03-1, A03-2, E05
SHELF - WHITEBOARD TRAY	A06, B07, B09, E05

## GLOSSARY

N.T.S.

ALTOS DETAILING PACKAGE

MAR 01, 2024

REV04

This drawing is the property of Teknion Limited and is subject to return upon demand. It must not be copied or reproduced in any manner, nor submitted to any outside parties for examination without Teknion consent. This drawing must not be scaled, or used for construction purposes.

www.teknion.com **teknion**

REVISION	DESCRIPTION	DATE
R00	INITIAL RELEASE	NOV 2018
R01	REVISED VARIABLE ANGLE WALL START PROFILE PAGE C01, REVISED B01, B02	JUNE 2021
R02	ADDING NEW PAGES & MODIFICATIONS OF MULTIPLE PAGES	NOV 2022
R03	REVISED EL01- ELEVATION 1 (B01 & B02), EL04- ELEVATION 8 (B25 & B26) AND EL05- ELEVATION 9 (B27 & B28), DOOR REPLACED, NEW GLASS INSERT UPDATED	NOV 2023
R04	SEISMIC APPLICATIONS UPDATED, GLOSSARY PAGE UPDATED, ELEVATION 10 REMOVED.	MAR 2024

REVISION HISTORY

N.T.S.

ALTOS DETAILING PACKAGE

MAR 01, 2024

REV04

This drawing is the property of Teknion Limited and is subject to return upon demand. It must not be copied or reproduced in any manner, nor submitted to any outside parties for examination without Teknion consent. This drawing must not be scaled, or used for construction purposes.