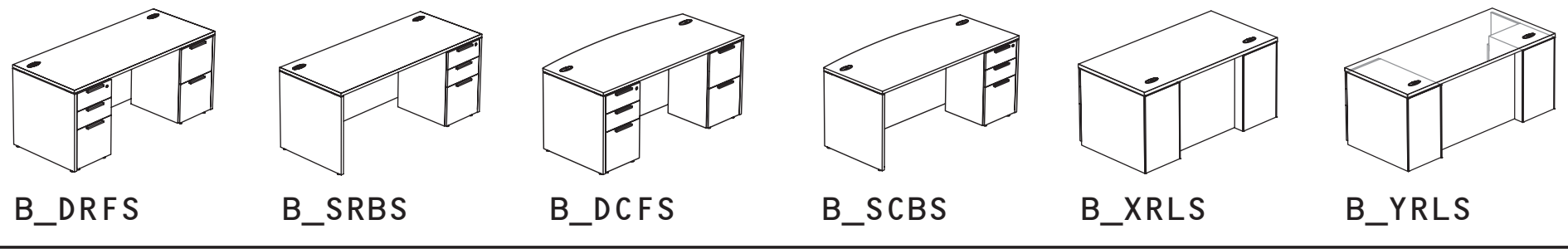
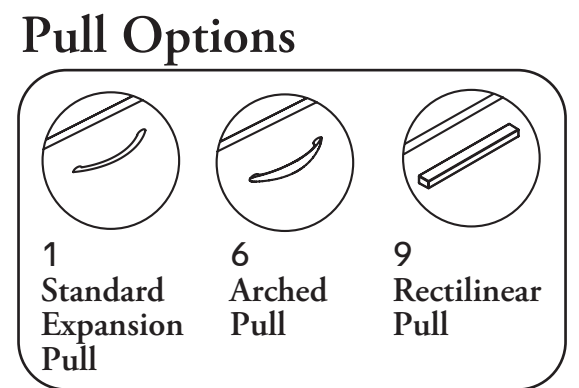
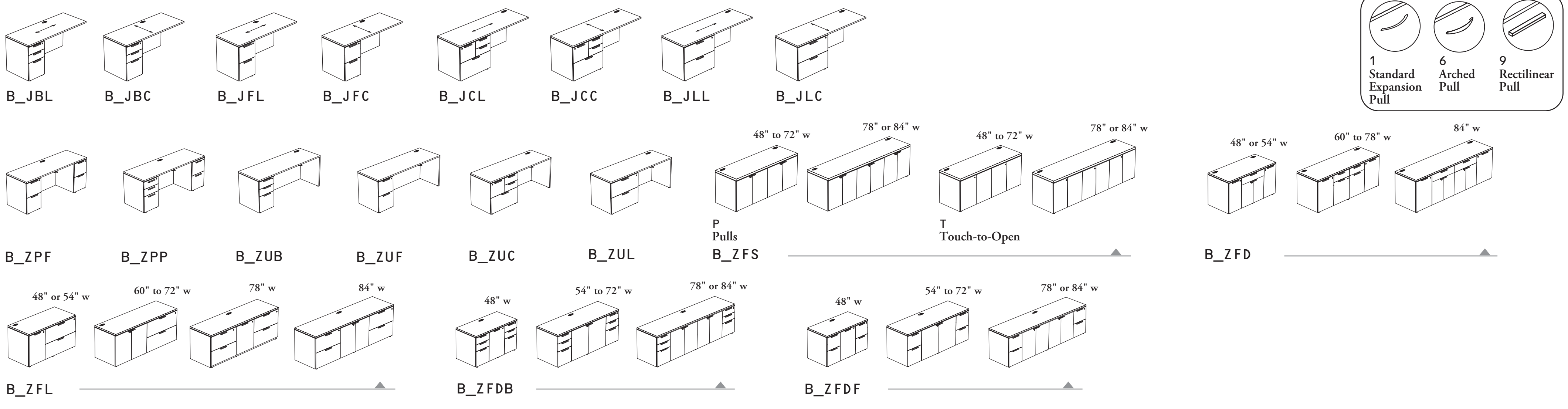


Preconfigured Desks

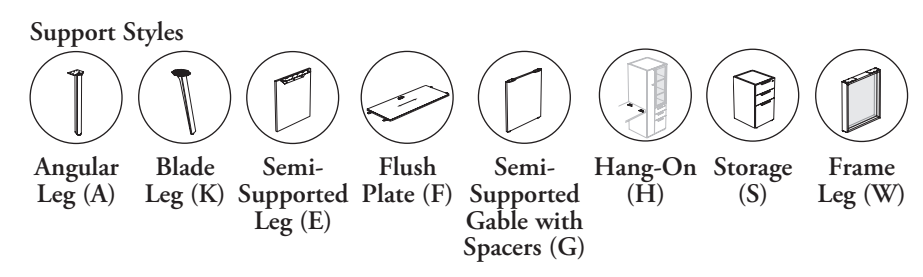
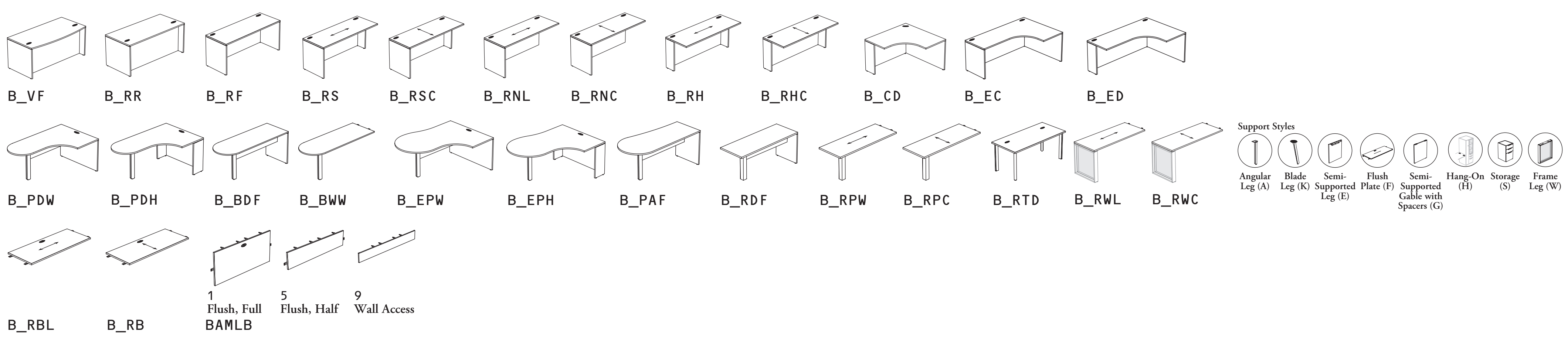


*** = Shaded products are excluded from the Xpress program.

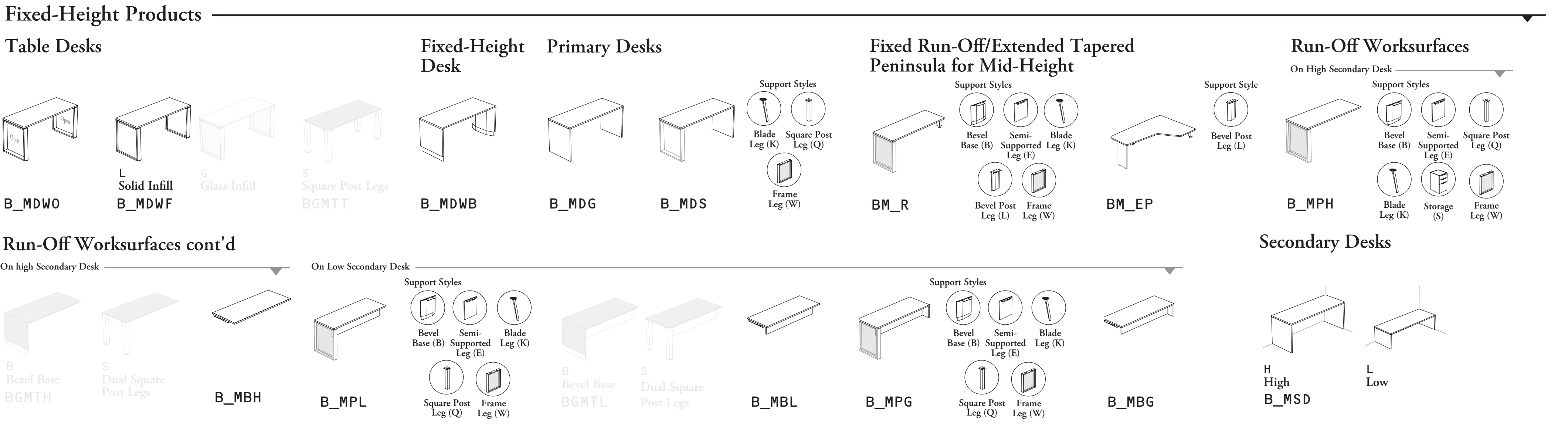
Returns & Credenzas



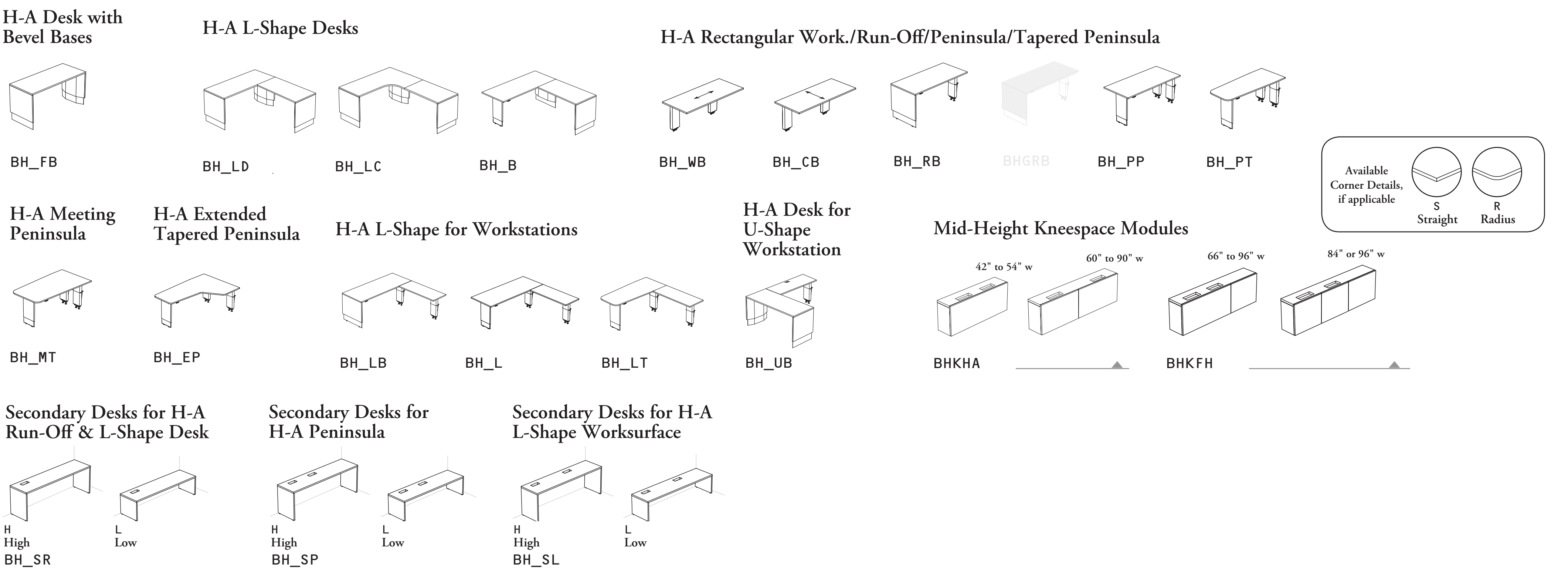
Desks



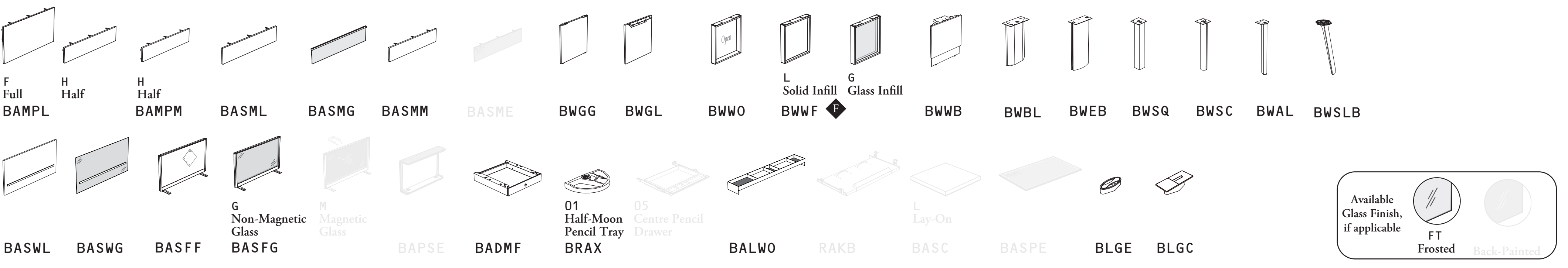
Multi-Level Workstations



Height-Adjustable Products



Desk Accessories



Mounted Storage & Accessories

On Low Secondary Desk:

- B_HCL: 24" to 36" w, 42" to 54" w, 60" to 78" w, 84" w
- B_HCG: 24" to 36" w, 42" to 54" w, 60" to 78" w, 84" w
- B_HFL: 24" to 48" w, 54" to 84" w
- B_HO: 24" to 48" w, 54" to 84" w
- B_TLL: 48" to 60" w, 66" to 78" w, 84" w
- B_ELL: 36" to 48" w, 54" to 66" w, 72" to 84" w

On High Secondary Desk:

- BCLL: FD Fully Enclosed, Individual Doors; FF Fully Enclosed, File Drawer; FW Fully Enclosed, Wardrobe
- BCLG: FD Fully Enclosed, Individual Doors; FW Fully Enclosed, Wardrobe
- BCL00: W Wardrobe; S Shelves; F File Drawer and Shelves
- BRLG: W Wardrobe; S Shelves
- BRLO: W Wardrobe; S Shelves
- BCHL: F Fully Enclosed; F Fully Enclosed
- BCHG: F Fully Enclosed; F Fully Enclosed
- BCH00: S Shelves; S Shelves
- BRHL: S Shelves; S Shelves
- BRHG: S Shelves; S Shelves
- BRHO: S Shelves; S Shelves

Wall-Mounted:

- BOCL: B Wall-Panel Mounted; W Wall-Mounted
- BOCG: B Wall-Panel Mounted; W Wall-Mounted
- BOFL: B Wall-Panel Mounted; W Wall-Mounted
- BOSL: B Wall-Panel Mounted; W Wall-Mounted
- BOSG: B Wall-Panel Mounted; W Wall-Mounted
- BOCSS: One Door (O); Two Doors (T)
- BOCSG: B Wall-Panel Mounted; W Wall-Mounted
- BOCLO: B Wall-Panel Mounted; W Wall-Mounted
- BOKL: B Wall-Panel Mounted
- BOKG: B Wall-Panel Mounted

Shelves:

- BOWTW: B Wall-Panel Mounted; W Wall-Mounted
- BOWTS: B Wall-Panel Mounted; W Wall-Mounted
- BOWTE: B Wall-Panel Mounted; W Wall-Mounted
- B_WPO: B Wall-Panel Mounted; W Wall-Mounted
- B_WPA: B Wall-Panel Mounted; W Wall-Mounted
- B_WPL: B Wall-Panel Mounted; W Wall-Mounted
- B_WPM: B Wall-Panel Mounted; W Wall-Mounted
- BBAMS: 1 One Level; 2 Two Levels
- BBAS: B Wall-Panel Mounted; W Wall-Mounted
- BBWAT: B Wall-Panel Mounted; W Wall-Mounted
- BBWAE: B Wall-Panel Mounted; W Wall-Mounted
- BBWAM: B Wall-Panel Mounted; W Wall-Mounted
- BBWAP: B Wall-Panel Mounted; W Wall-Mounted

Accessories:

- BWSD: B Wall-Panel Mounted; W Wall-Mounted
- BWSDG: B Wall-Panel Mounted; W Wall-Mounted
- BWSO: B Wall-Panel Mounted; W Wall-Mounted
- BWLT: B Wall-Panel Mounted; W Wall-Mounted
- BWAT: B Wall-Panel Mounted; W Wall-Mounted
- PAX: 90 Divisional Screen, Letter/A4; 91 Divisional Screen, Letter; 92 Tray, Letter; 93 Tray, Legal; 94 Pencil Tray; 95 Binder Bin; 96 Media Organizer; 97 Telephone Shelf, Small; 98 Telephone Shelf, Large; 99 Vertical Organizer, Letter/A4; 100 Vertical Organizer, Legal
- BOHP: B Wall-Panel Mounted; W Wall-Mounted
- BACMT: B Wall-Panel Mounted; W Wall-Mounted
- BAREM: B Wall-Panel Mounted; W Wall-Mounted

Available Glass Finish, if applicable: CL Clear, FT Frosted

Freestanding Storage & Accessories

Metal Case:

- BSNS: M Metal Solid Front; S Metal Solid Front
- BSNM: M Metal Solid Front; S Metal Solid Front
- BSPSS: P Pulls
- BSPMS: P Pulls
- BSMCS: P Pulls
- BSPUS: P Pulls
- BSNCP: M Metal Solid Front; S Metal Solid Front
- BSCPS: P Pulls
- BSNLF: M Metal Solid Front; S Metal Solid Front
- BSLFS: M Metal Solid Front; S Metal Solid Front
- BSCDS: P Pulls; T Touch-to-Open
- BSCDGS: P Pulls; T Touch-to-Open
- BSCC: P Pulls; S Touch-to-Open Doors/Pulls on Drawers

Freestanding:

- BSUOB: P Pulls
- BSMPS: P Pulls
- BSMLF: P Pulls
- BSLFT: P Pulls; T Touch-to-Open
- BSC T: P Pulls; T Touch-to-Open
- BSOBT: P Pulls; T Touch-to-Open
- BFCL: FD Fully Enclosed, Individual Doors; FF Fully Enclosed, File Drawers; FW Fully Enclosed, Wardrobe
- BFCG: FD Fully Enclosed, Individual Doors; FW Fully Enclosed, Wardrobe
- BFCX: FD Fully Enclosed, Individual Doors; FF Fully Enclosed, File Drawers

Shelves:

- BCFSO: W Wardrobe; S Shelves; F File Drawers and Shelves
- BFRL: W Wardrobe; S Shelves
- BFRG: W Wardrobe; S Shelves
- BFDS: S Touch-to-Open Door/Pulls on Drawers
- BFDOS: P Pulls; S Touch-to-Open Doors/Pulls on Drawers
- BSWFS: P Pulls; S Touch-to-Open Doors/Pulls on Drawers
- BSCWOS: P Pulls; S Touch-to-Open Doors/Pulls on Drawers
- BSCWS: P Pulls; S Touch-to-Open Doors/Pulls on Drawers
- BSCWG: P Pulls; S Touch-to-Open Doors/Pulls on Drawers
- BSUS: P Pulls
- BSUOS: P Pulls
- BSUG: S Touch-to-Open Doors/Pulls on Drawers

Accessories:

- BSWUS: P Pulls
- BSDS: P Pulls; T Touch-to-Open
- BSDG: D Touch-to-Open Doors/Pulls on Open Solid Doors; T Touch-to-Open
- BSWCS: P Pulls; T Touch-to-Open
- BSWCG: P Pulls; T Touch-to-Open
- BSSS: P Pulls
- BSOB: P Pulls

Accessories:

- BXHK: B Wall-Panel Mounted; W Wall-Mounted
- B_NSTR: B Wall-Panel Mounted; W Wall-Mounted
- B_STR: B Wall-Panel Mounted; W Wall-Mounted
- BSHE: B Wall-Panel Mounted; W Wall-Mounted
- RSLB: B Wall-Panel Mounted; W Wall-Mounted
- RBNSA: 01 Divider for Box Drawer; 02 Divider Plate for Lateral File; 03 Cross File Bar; 04 File Counterweight; 05 Pencil Tray; 06-07-08 Hanging File Bar
- K: K Numbered Keys; M Master Key; R Lock Removal Key; C Lock Core and Key
- SOKL: S Wall-Panel Mounted; O Wall-Mounted; K Key

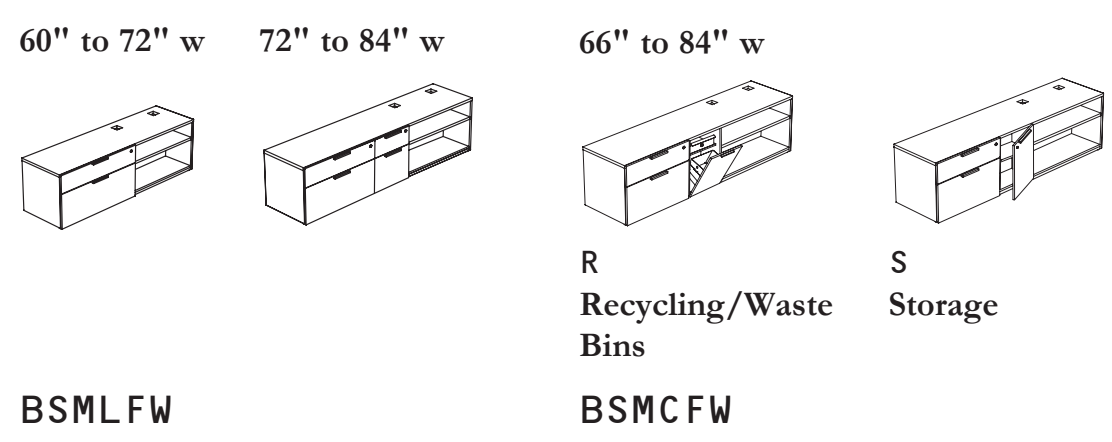
Pull Options:

- 1 Standard Expansion Pull
- 6 Arched Pull
- 9 Rectilinear Pull

Available Glass Finish, if applicable: CL Clear, FT Frosted

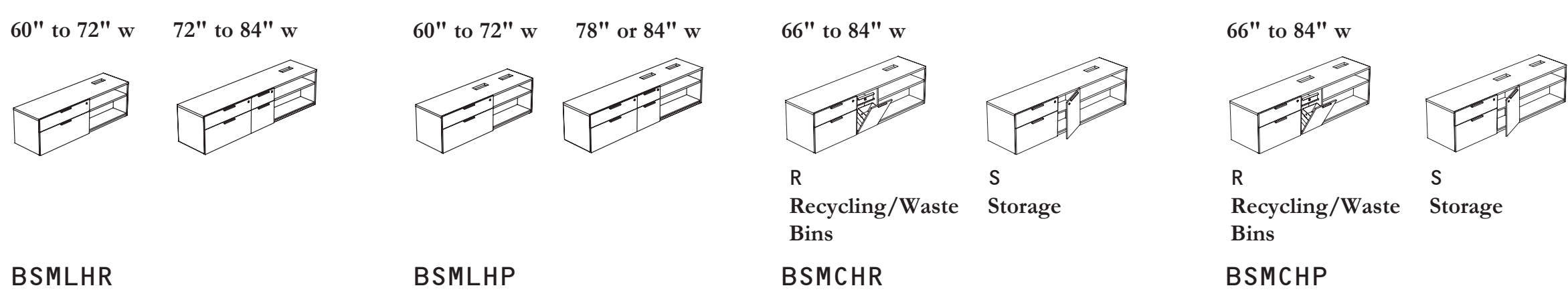
Storage for Multi-Level Workstations

Mid-Height Credenza for Fixed Run-Off/Peninsula



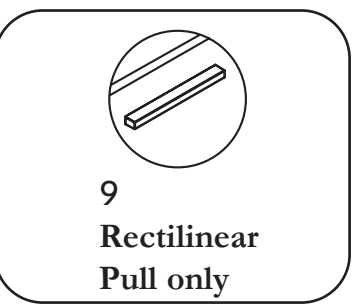
BSMLFW BSMCFW

Mid-Height Credenza for H-A Run-Off /Peninsula

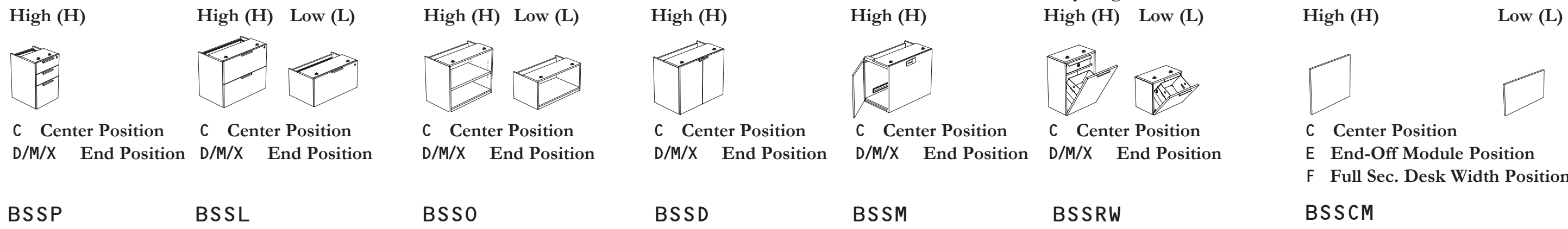


BSMLHR BSMLHP BSMCHR BSMCHP

Pull Option

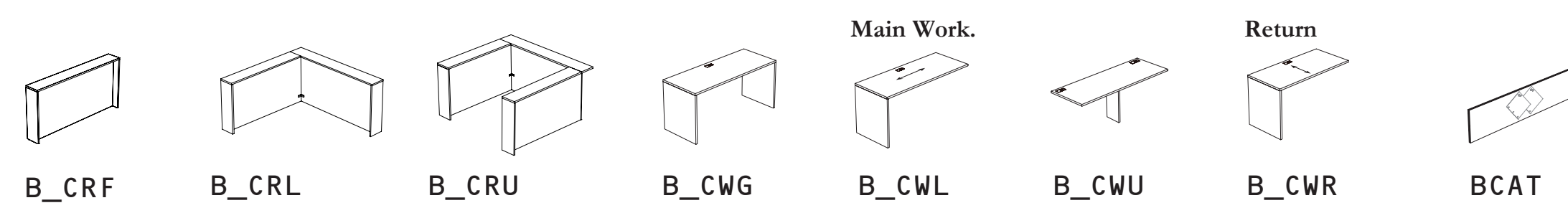


Storage for Secondary Desks



BSSP BSSL BSSO BSSD BSSM BSSRW BSSCM

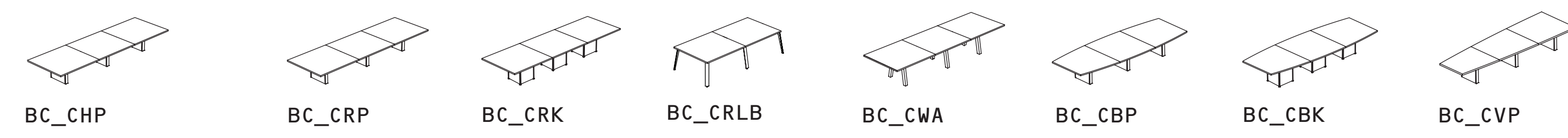
Reception



B_CRF B_CRL B_CRU B_CWG B_CWL B_CWU B_CWR BCAT

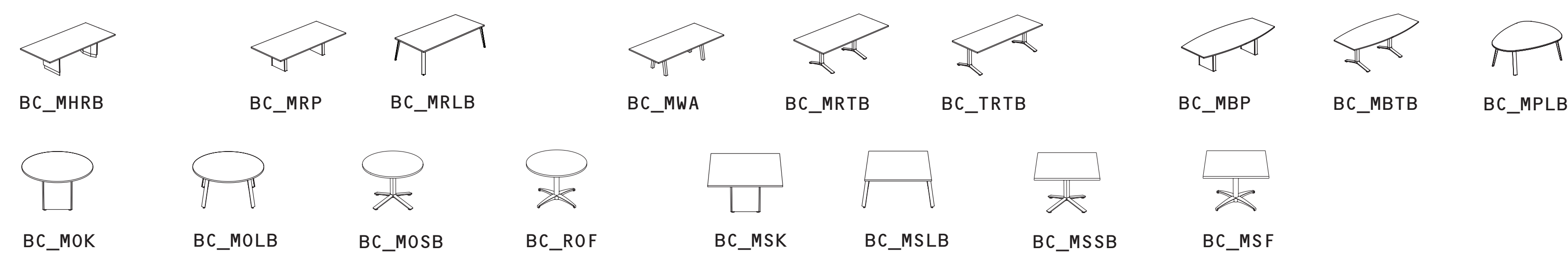
Meeting Tables

H-A Conference Tables

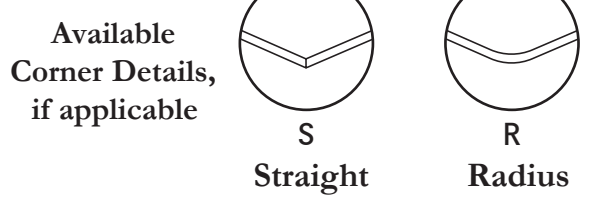


BC_CHP BC_CRP BC_CRK BC_CRLB BC_CWA BC_CBP BC_CBK BC_CVP

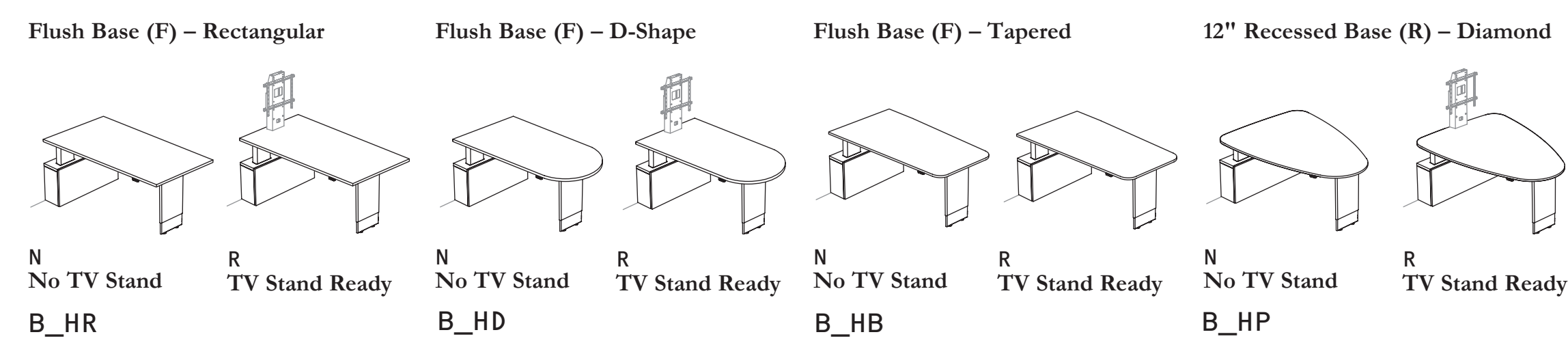
Height-Adjust. Meeting Tables



BC_MHRB BC_MRP BC_MRLB BC_MWA BC_MRTB BC_TRTB BC_MBP BC_MBTB BC_MPLB

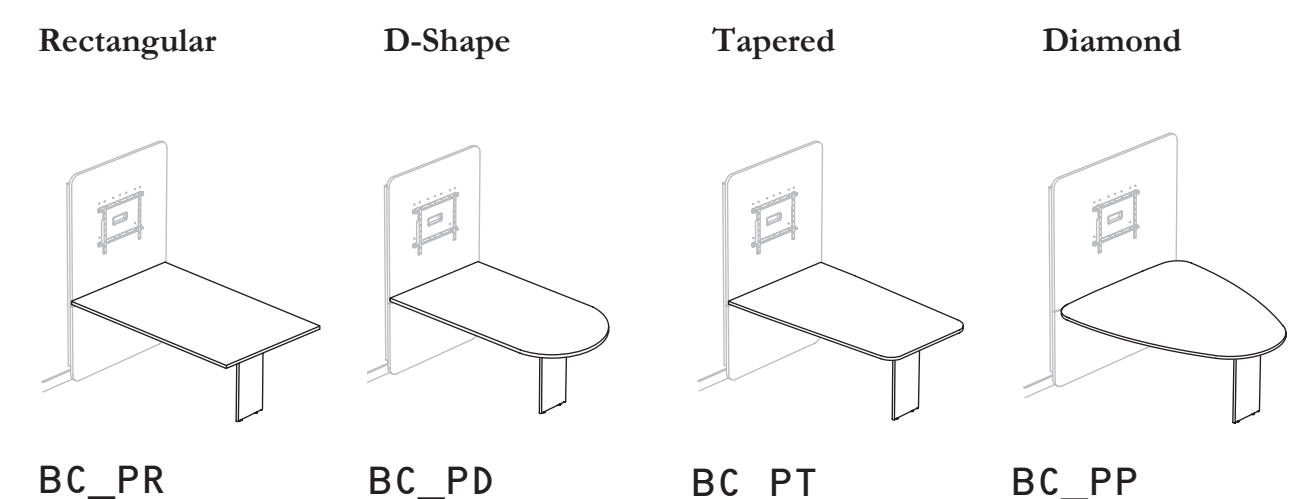


H-A Meeting Peninsula Units

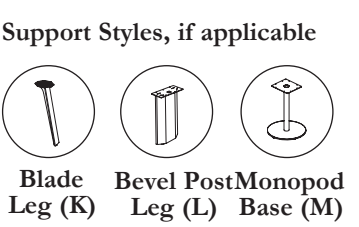


B_HR B_HD B_HB B_HP

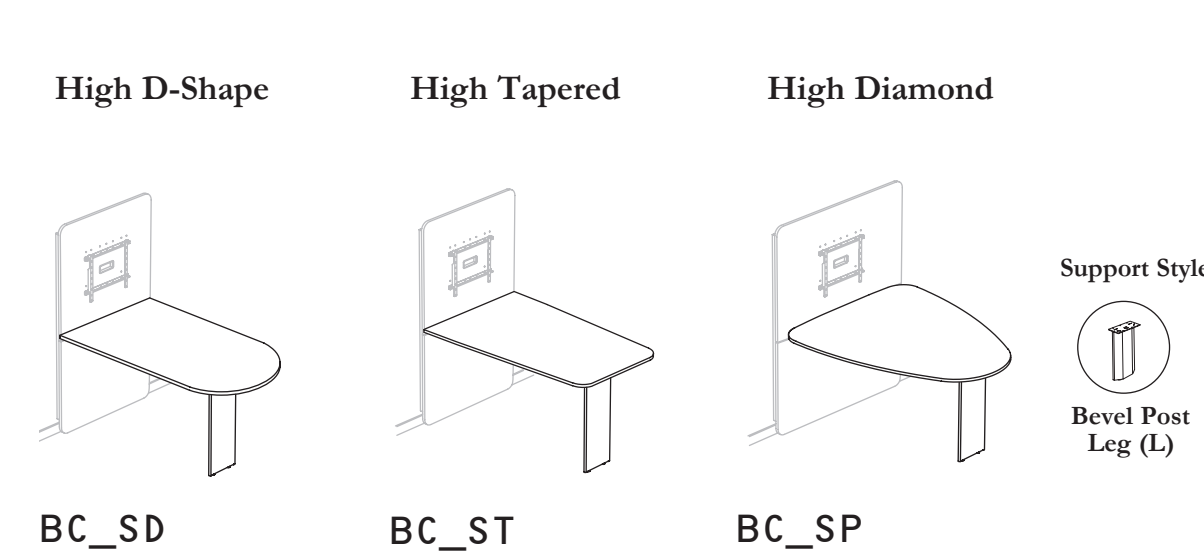
Peninsulas for Media Wall



BC_PR BC_PD BC_PT BC_PP

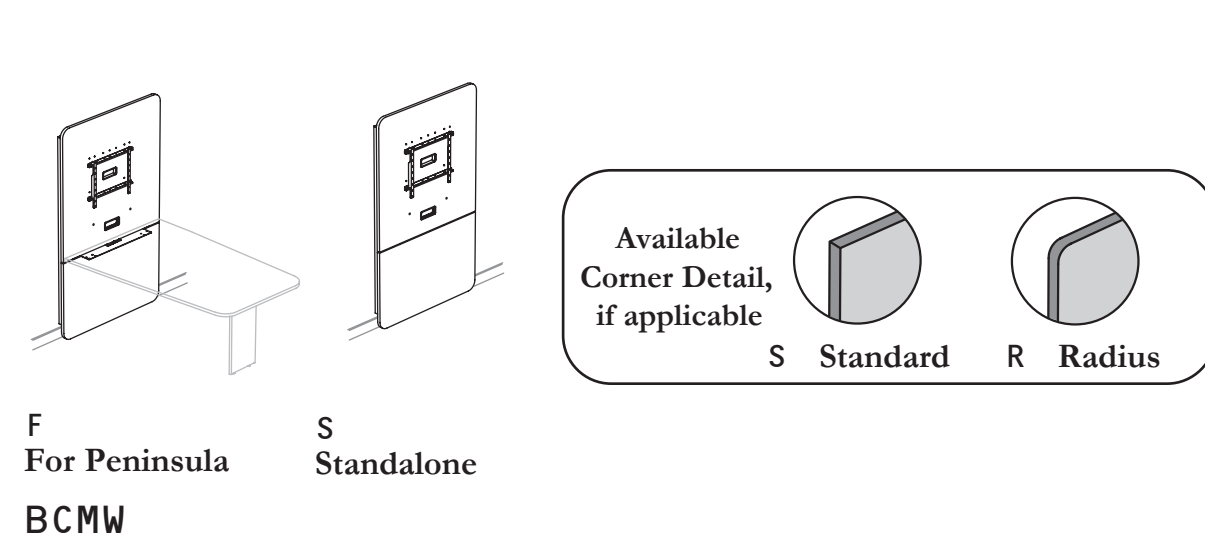


Peninsulas for Media Wall cont'd



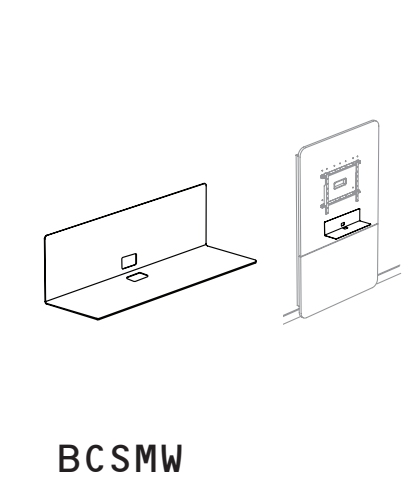
BC_SD BC_ST BC_SP

Media Wall



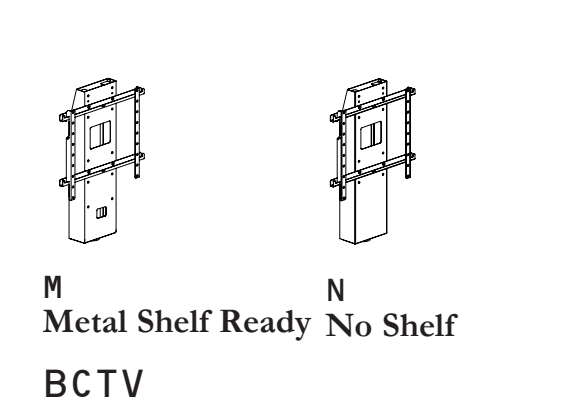
BCMW

Metal Shelf – Media Wall



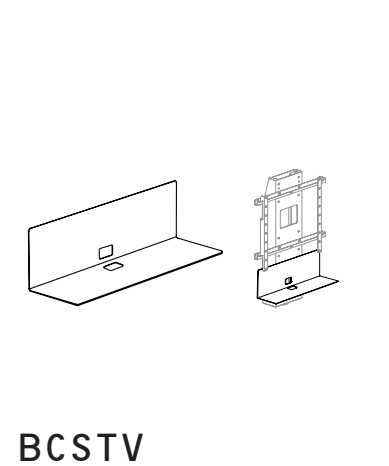
BCSMW

TV Stand – Meeting Peninsula Unit



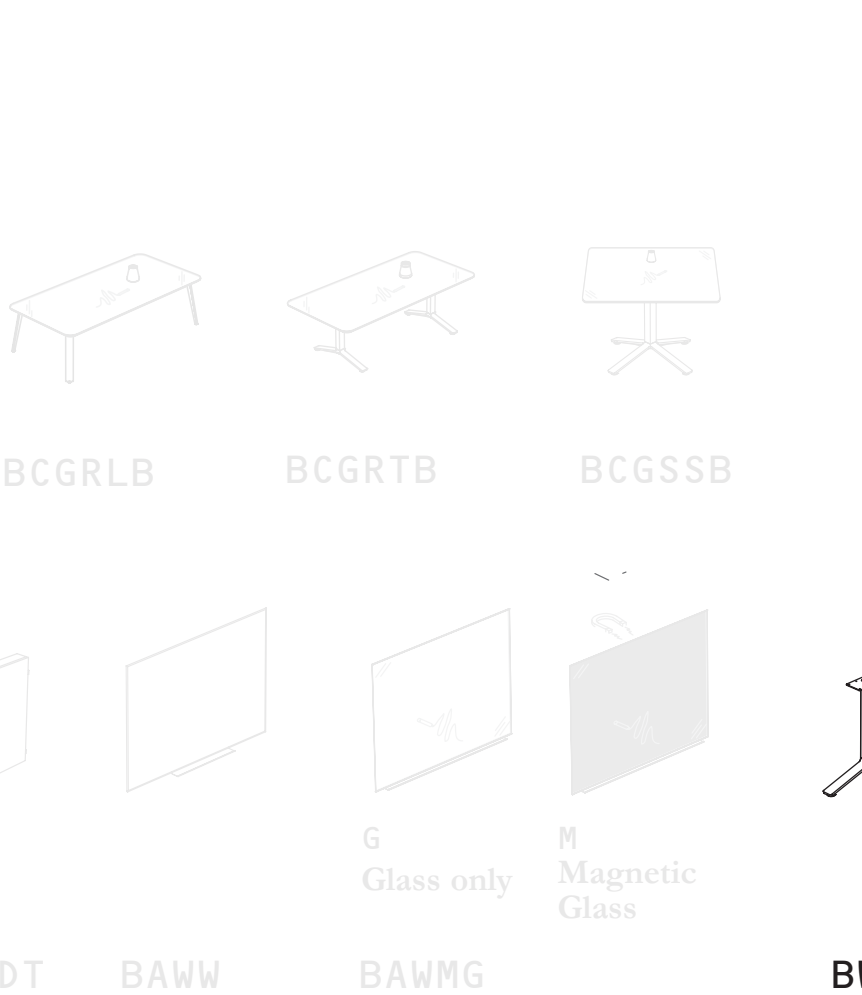
BCTV

Metal Shelf – TV Stand



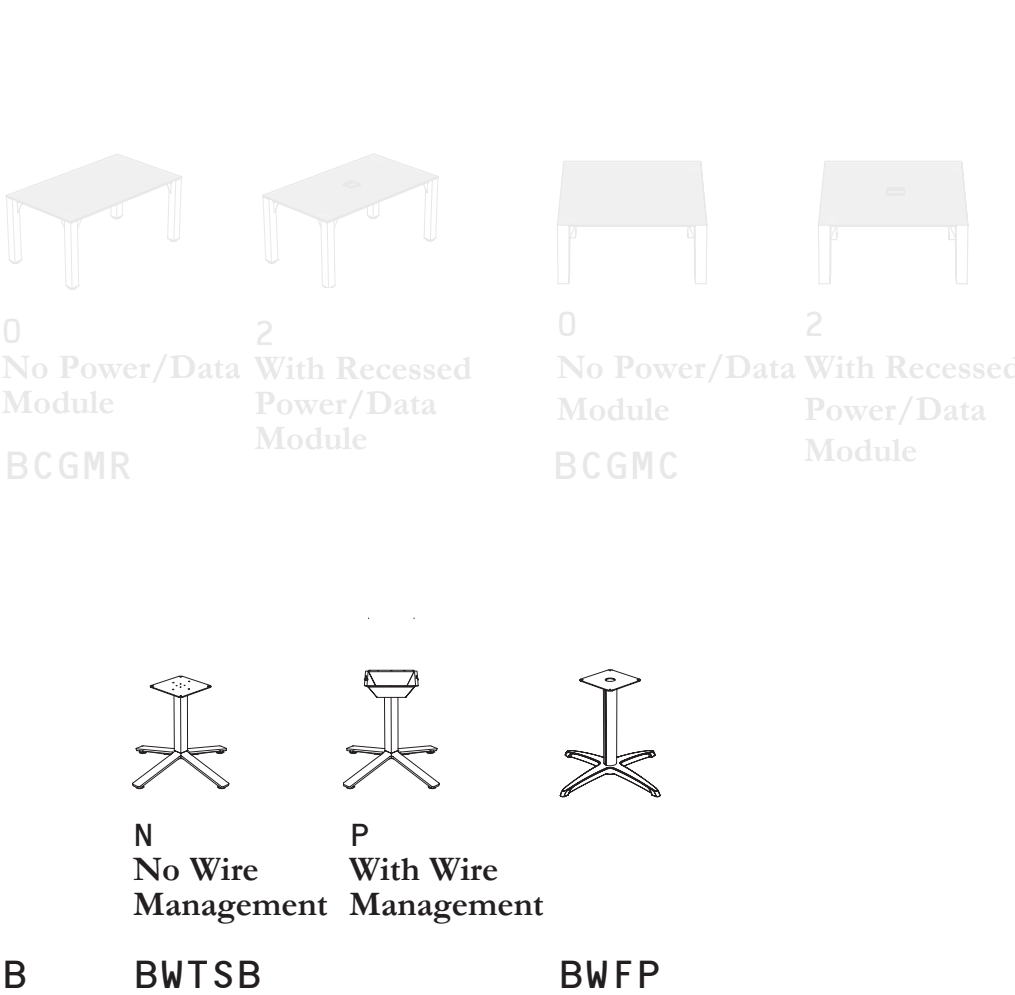
BCSTV

Writable Glass Meeting Tables



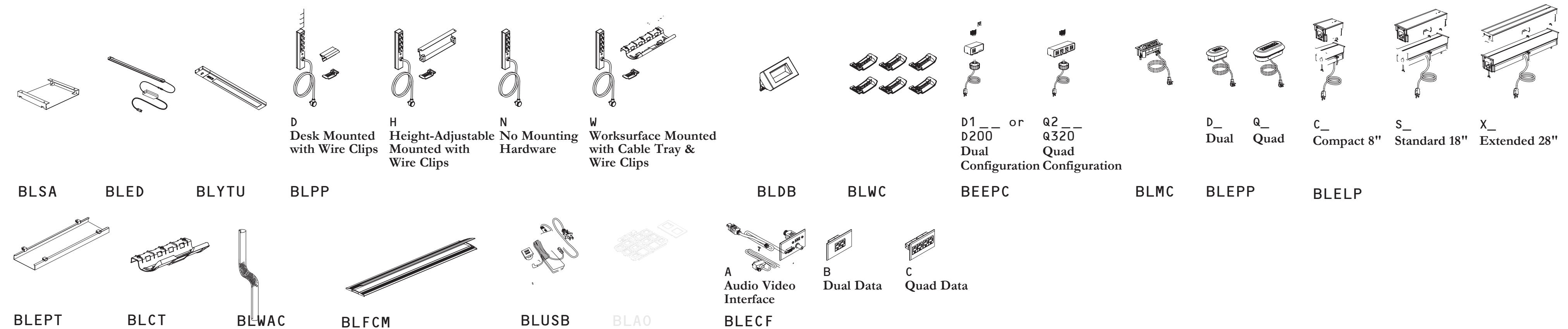
BCGRLB BCGRTB BCGSSB

Glass Meeting Tables



BCGMR BCGMC BWTB BWTB BWTB BWTB

Lighting, Electrics and Communications



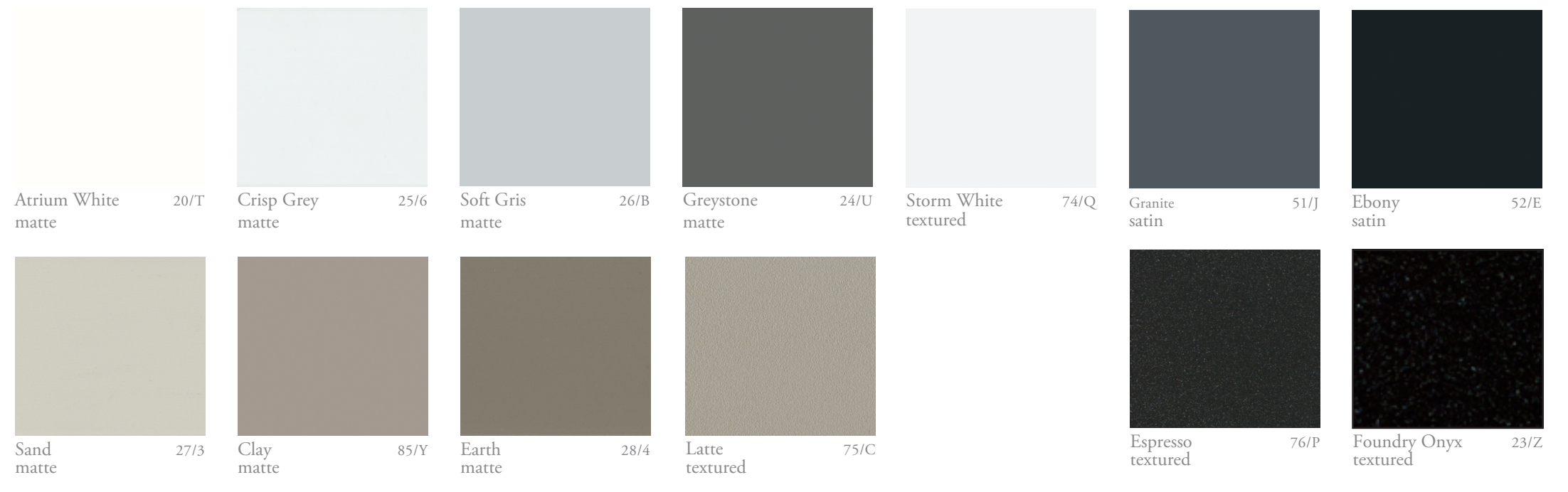
BLSA BLED BLYTU BLPP BLDB BLWC BEEPC BLMC BLEPP BLELP BLEPT BLCT BLWAC BLFCM BLUSB BLA0 BLECF

Laminate

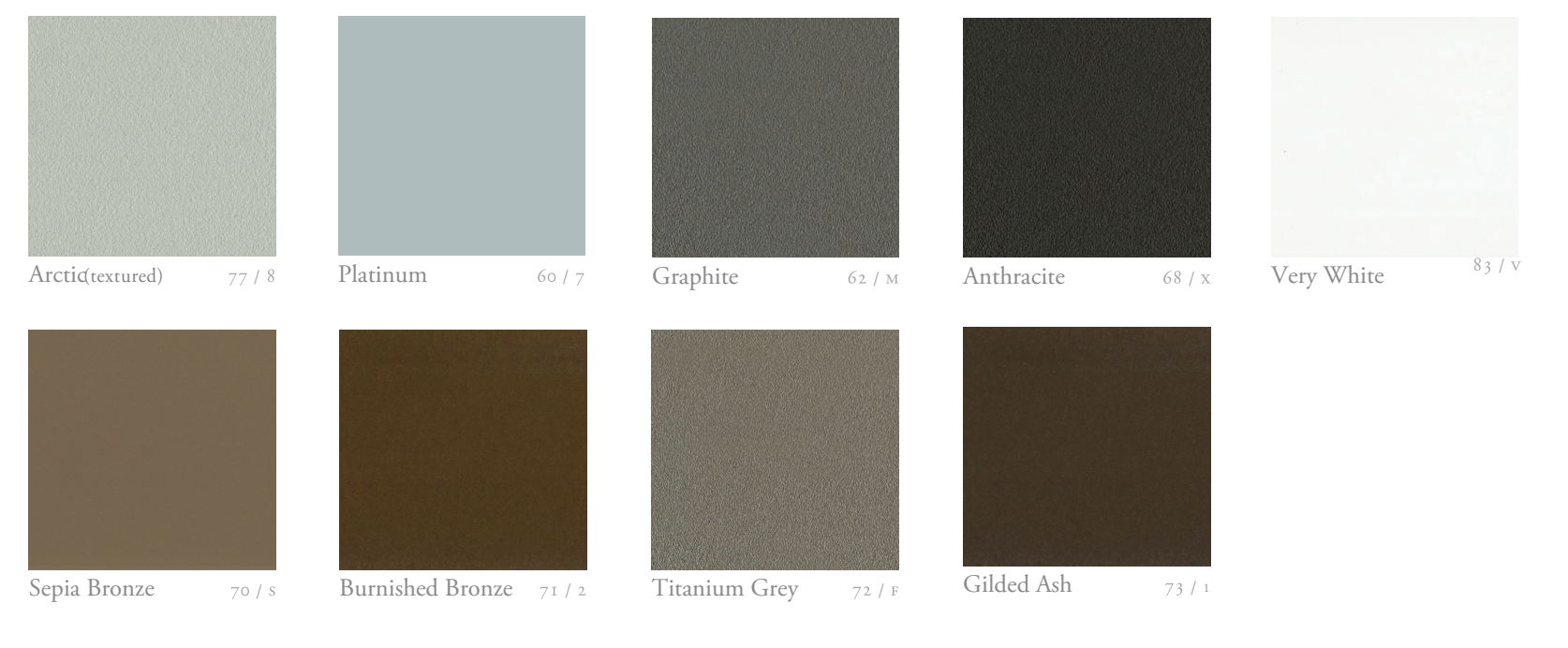


Metal

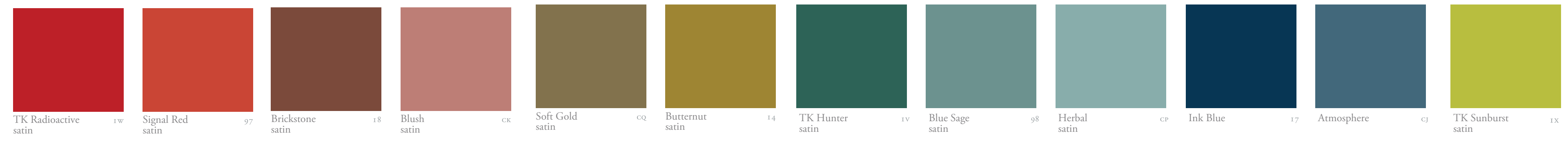
Foundation



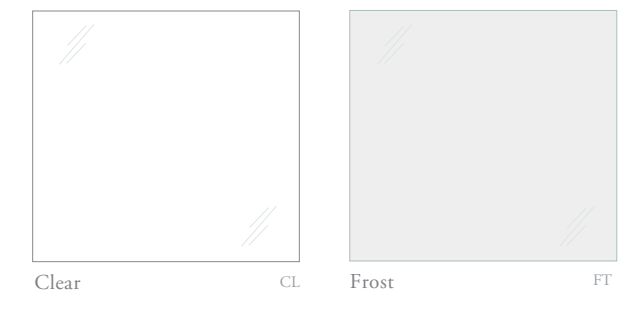
Mica



Accent

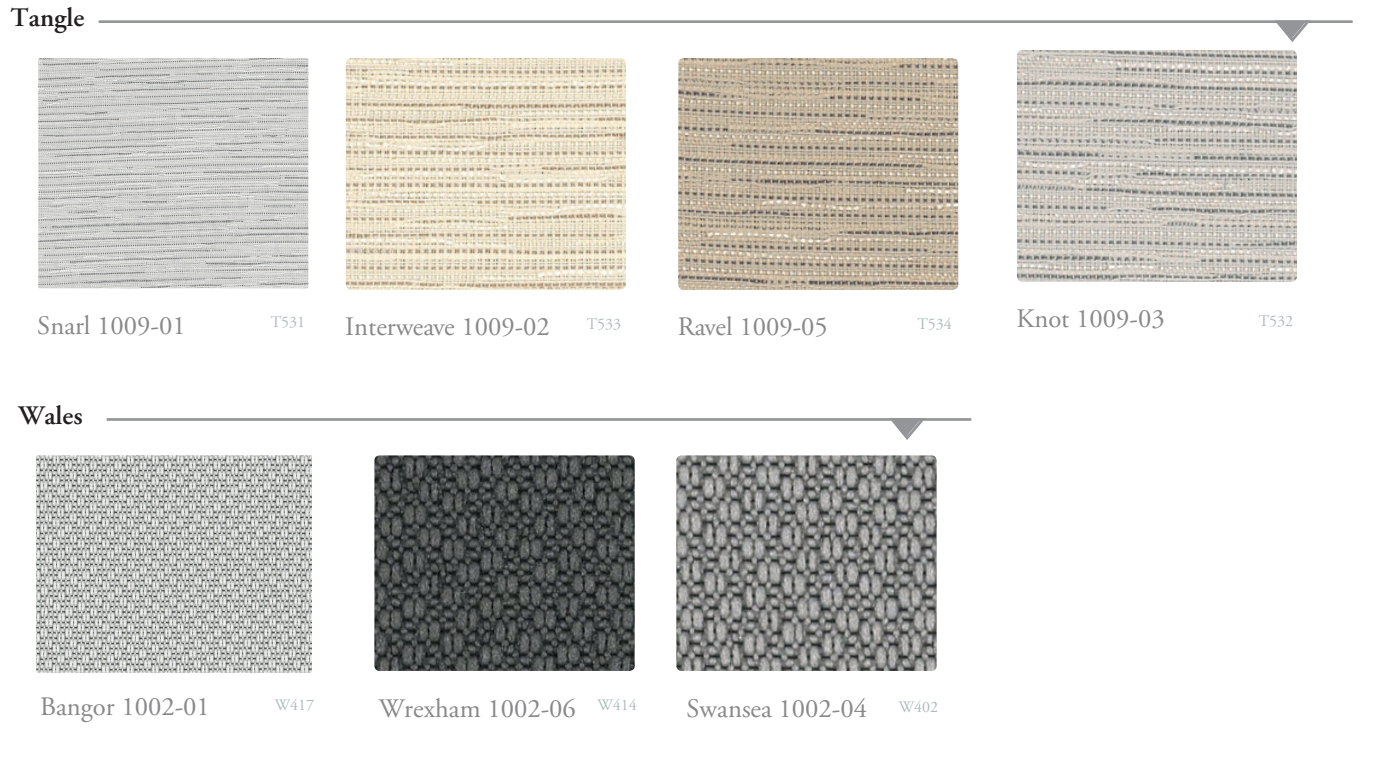


Glass



Panel Fabric

Grade A



Grade 1



For more information on the xpress program



Maximum of 50 000\$ price list