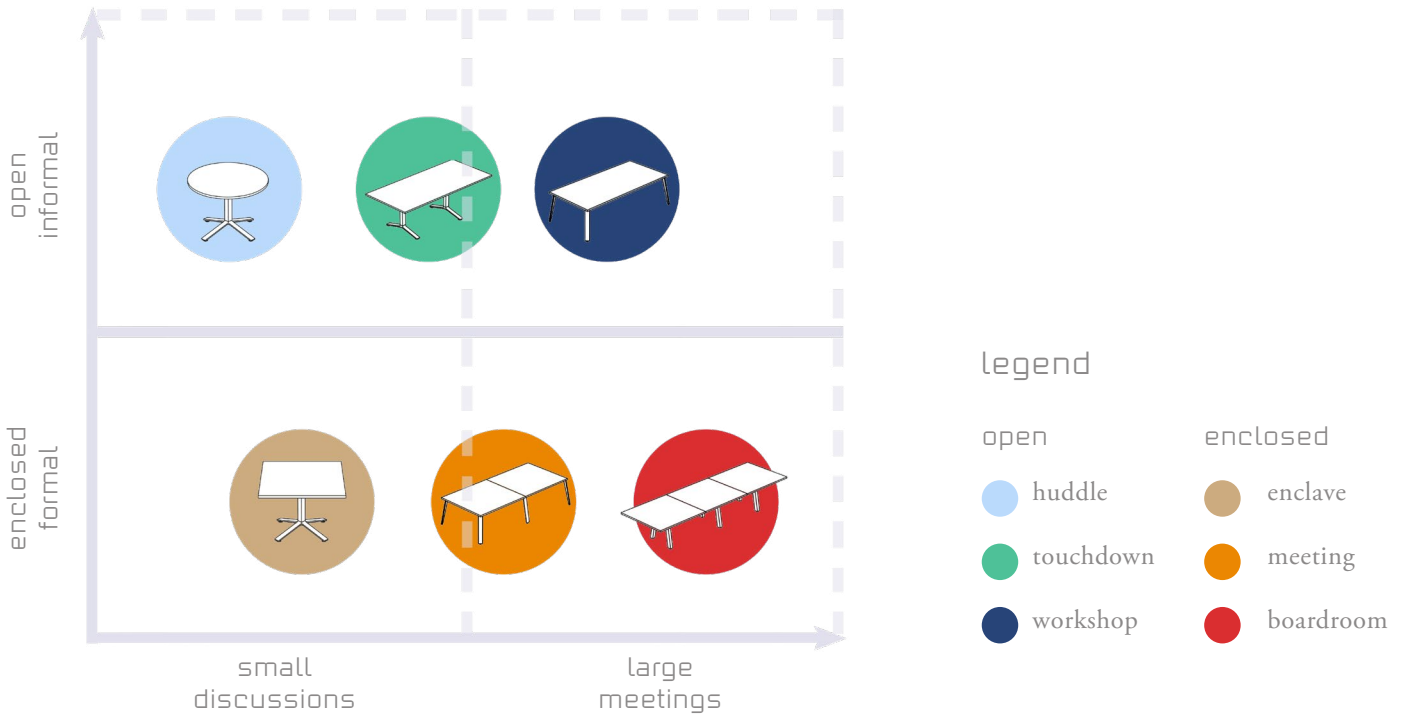


teknion expansion meeting tables

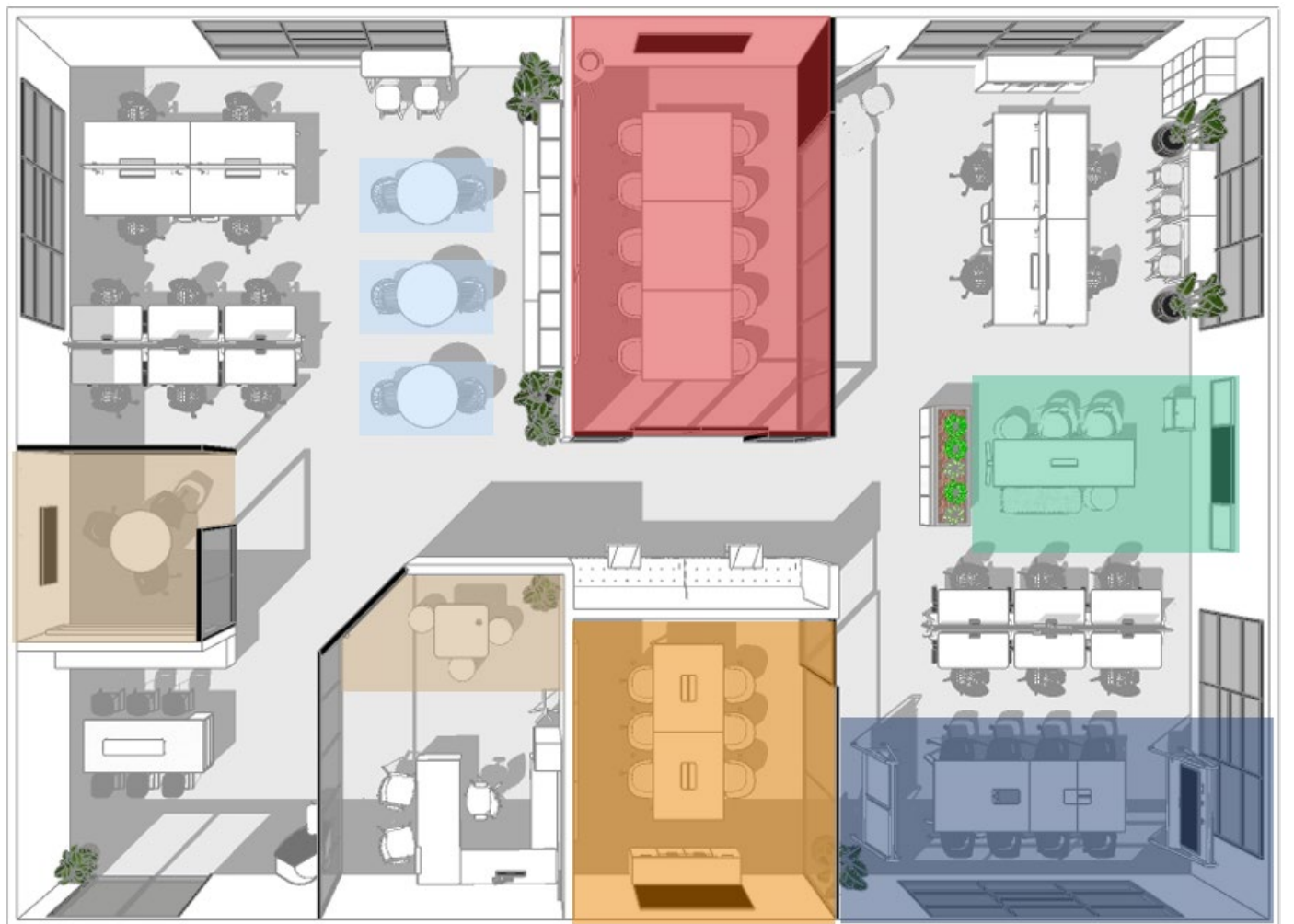
teknion



02

Collaboration is central to every organisation. As companies move towards collaborative work structures, adapting to all types meeting environments is key. Expansion meeting table series offers small huddle spaces to large workshop configurations, from private enclaves to boardrooms.

To optimise your company space for various types of collaboration, thrive in this hybrid work environment with our expansion meeting tables.





worksurfaces  
*Source Laminate,  
Campus Oak*

frame  
*Foundation,  
Greystone*

seating  
*Just-Us:  
Khaki Mesh;  
Substance, Chert*

**huddle**

An open space where employees can have a quick casual discussion to align their productivity or for a quick update. This small round expansion table is meant for short discussions and tactical issues.

worksurfaces  
Source Laminate,  
Vintage Oak

frame  
Mica,  
Platinum

seating  
Collaborative Ottoman:  
Homage, Guild

#### private office

Placed in a quieter area, this expansion table with club chairs is paired with a private workstation cabin for a more personal discussion which is effective for confidential matters and communication.



worksurfaces  
Source Laminate,  
Graphite

frame  
Mica,  
Very White

seating  
Zones Bench:  
Greystone Beech  
Arch Angle, Selene

Zones Chairs:  
Zones Seating Plastic,  
Crisp Grey  
Greystone Beech  
Arch Angle, Selene

Collaborative Ottoman:  
Haptic, Superbloom

touchdown

A perfect space for intensive yet casual brainstorming session. This open collaborative space with eclectic mix of zones bench and ottoman offers a playful setting which encourages spontaneous participation, generating and discussion of ideas openly.



worksurfaces  
Source Laminate,  
Campus Oak

frame  
Mica,  
Platinum  
Accent,  
Blue Sage

seating  
Zones Club Chair:  
Cross Grain,  
Spring wood

### meeting

A hybrid space where it can room more attendees for a semi-formal interaction. The expansion table with an injection of accent colour and fabric seating, placed in an enclosed glass island serves adequate privacy in a high energy space like a think tank. This adaptive space empowers productivity in a less structured and free-flowing discussion.



worksurfaces  
Foundation Laminate,  
Pure White

frame  
Mica,  
Very White,  
Accent,  
Atmosphere

seating  
Wilkhabn Occo Chair:  
1: Ebony,  
Filar, Gauge  
2: Latte  
Actuate, Suffuse

3: Grey  
Bitstream, Grey Code  
4: Atrium White  
Bitsream, White Noise

workshop

Thoughtful and comfortable setup to minimise social barriers to encourage effective engagement and participation. The cosy Occo chairs enable involvement for the purpose of meetings, conferences, trainings, workshops and more. A perfect hub for interaction, employees are more likely to engage in conversations and generate new, inspiring ideas.



worksurfaces  
Source Laminate,  
Vintage Oak

frame  
Foundation,  
Ebony

seating  
Zones Club Chair,  
Fine Grain, Garnet Sand

#### boardroom

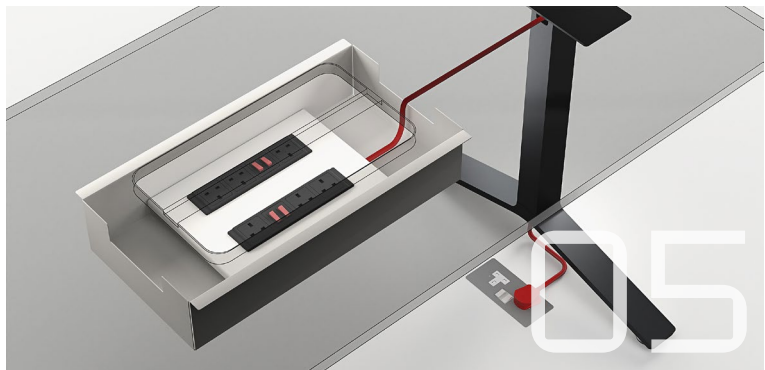
This formal space is suited with an expansion table and leather seating for a high-level business meeting. It is an ideal environment to discuss company-wide policies, setting business goals, reviewing strategic plans and discussing the trajectory of the company.



features (asia pacific)



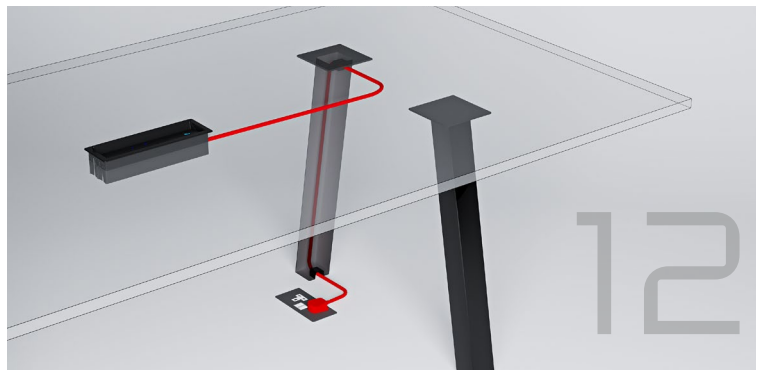
01



05



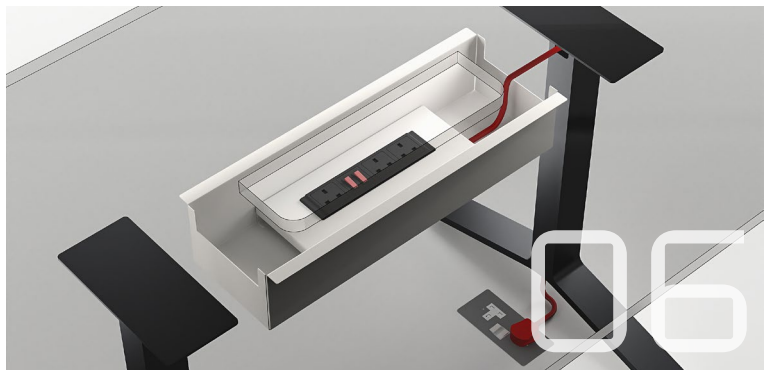
08



12



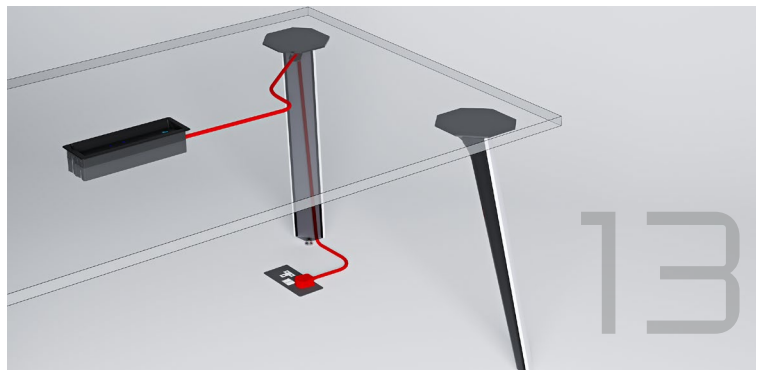
02



06



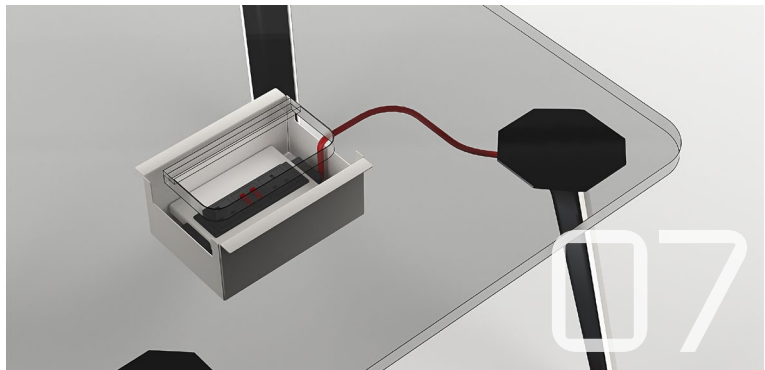
09



13



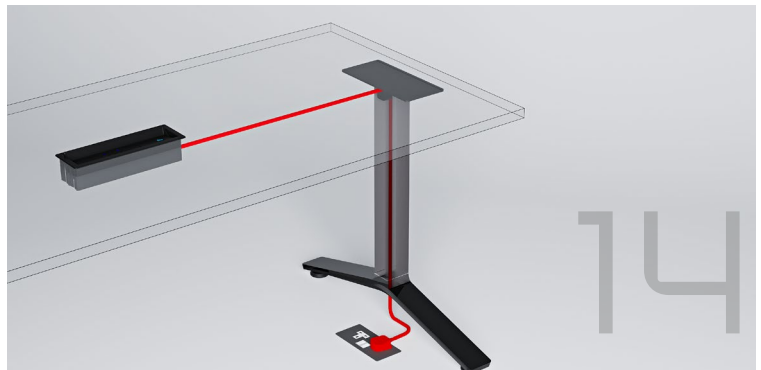
03



07



10



14



04



15



worksurface

- 01 round corner edge
- 02 straight corner edge
- 03 single-sided laminate flip-up
- 04 double-sided laminate flip-up

cable tray

- 05 standard cable tray with double-sided flip-up
- 06 standard cable tray with single-sided flip-up
- 07 small cable tray with single-sided flip-up

table leg

- 08 workshop leg
- 09 blade leg\*
- 10 blade t-leg
- 11 blade star base

integrated cable management

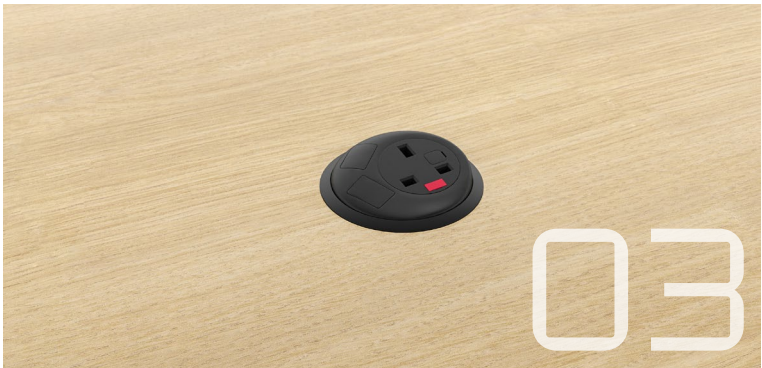
- 12 workshop leg
- 13 blade leg
- 14 blade t-leg
- 15 blade star base

\*Optional 2-tone finishes available.

features (europe)



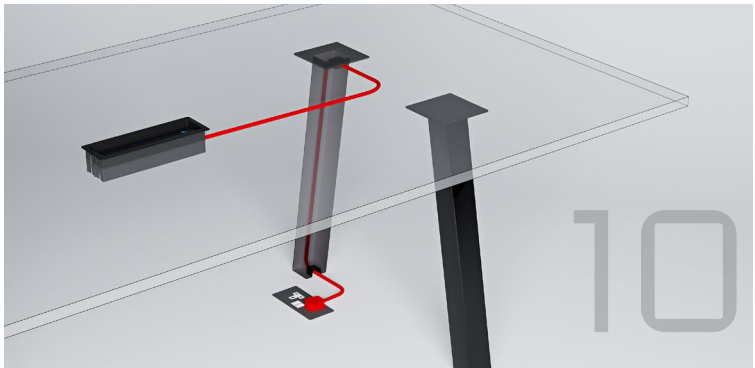
01



03



06



10



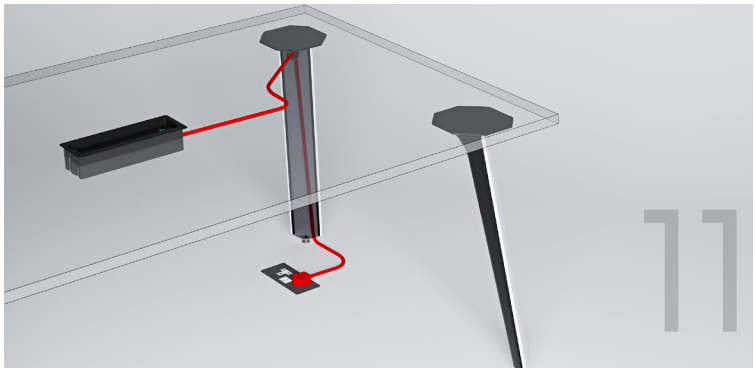
02



04



07



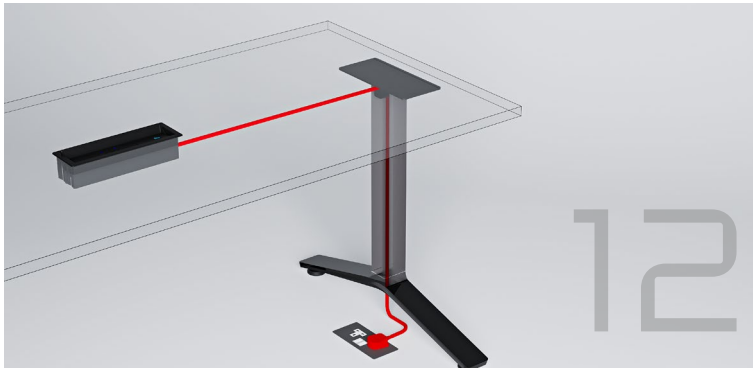
11



05



08



12



09



13

worksurface

- 01 round corner edge
- 02 straight corner edge

worksurface power module

- 03 small circular power module
- 04 large circular power module
- 05 3-gang power module

table leg

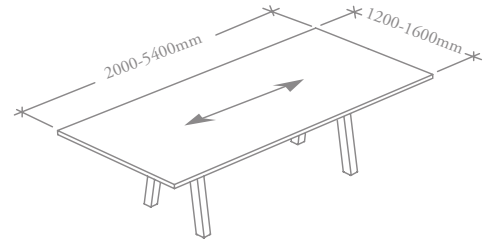
- 06 workshop leg
- 07 blade leg\*
- 08 blade t-leg
- 09 blade star base

integrated cable management

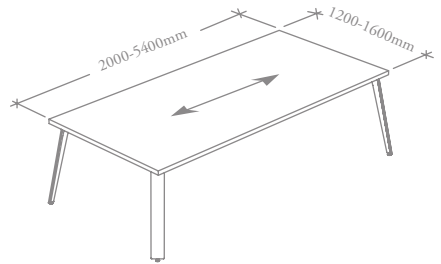
- 10 workshop leg
- 11 blade leg
- 12 blade t-leg
- 13 blade star base

\*Optional 2-tone finishes available.

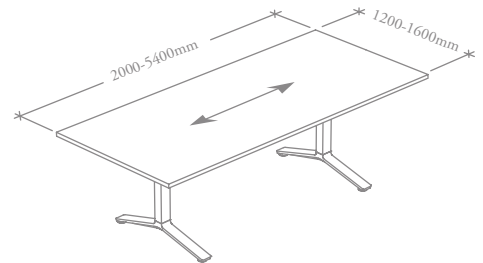
workshop meeting table



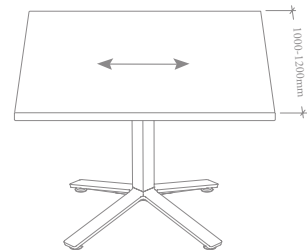
rectangular meeting table-  
blade legs



rectangular meeting table-  
blade t-legs



square meeting table-  
blade star base



round meeting table-  
blade star base

