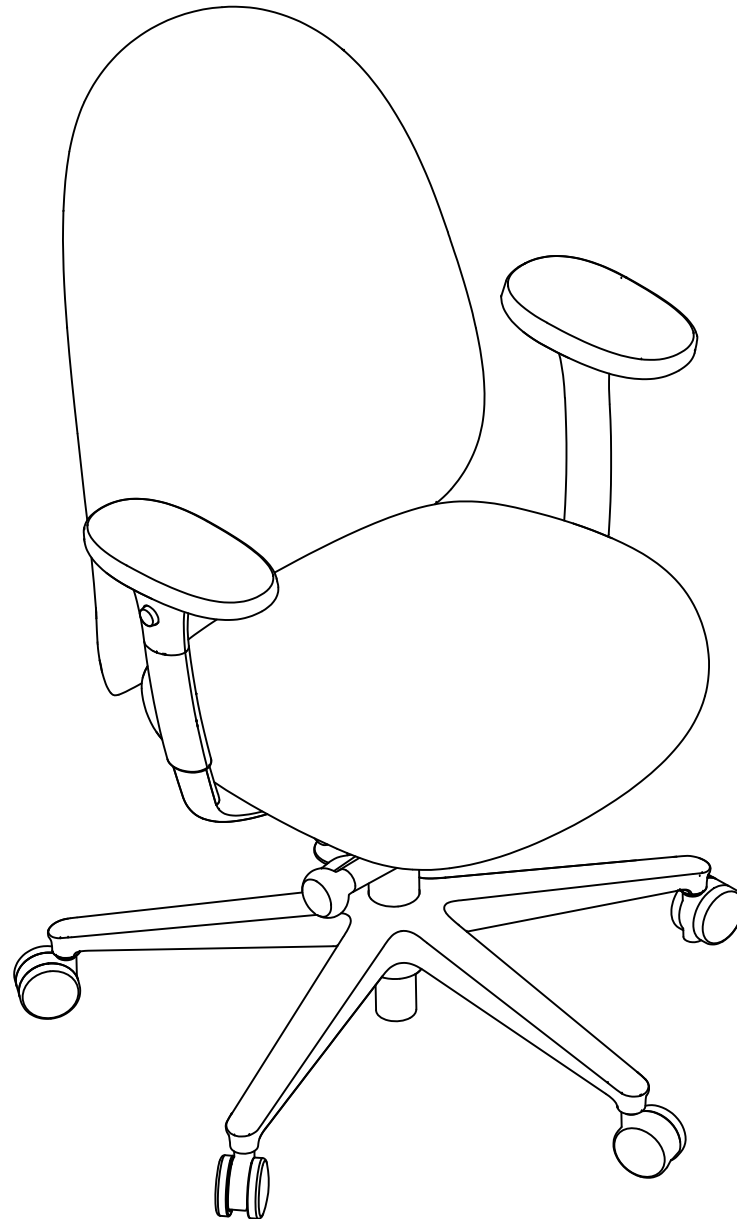


Tone Task Chair, Mesh Back (NTTM)

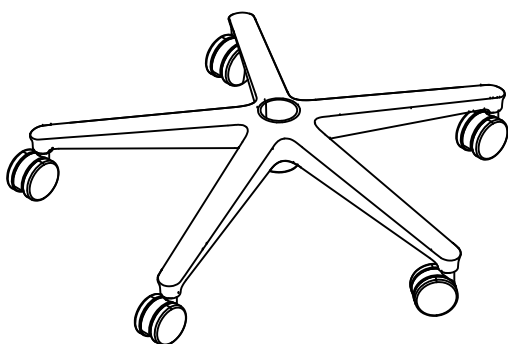


**Part and Product Identification**

**A - Base (Q06-0124) x 1**  
 &  
 Caster/ Glide x 5

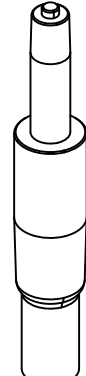
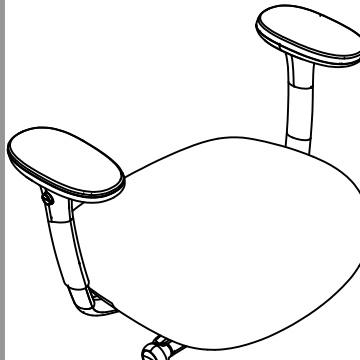
CASTER/GLIDE OPTIONS (DEPENDENT UPON CONFIGURATION)

PART NO	DESCRIPTION
Q08-0173	60 MM HARD CASTER - EBONY
Q08-0174	60 MM SOFT CASTER - EBONY
Q08-0185	60 MM HARD CASTER - LIGHT GREY
Q08-0186	60 MM SOFT CASTER - LIGHT GREY
Q08-0152	HARD GLIDE - GREY
Q08-0153	SOFT GLIDE - GREY
Q08-0202	HARD GLIDE - EBONY
Q08-0203	SOFT GLIDE - EBONY

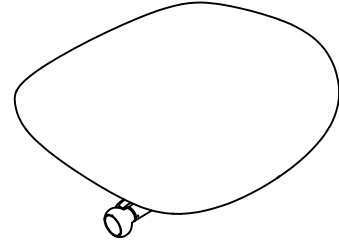


**B- Cylinder x 1**  
 CYLINDER OPTIONS  
 (DEPENDENT UPON CONFIGURATION)

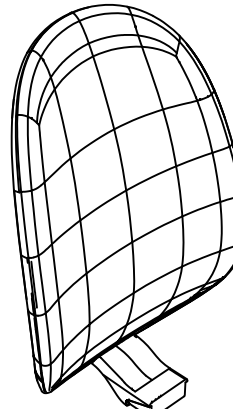
PART NO	DESCRIPTION
Q10-0700	3" CYLINDER
Q10-0710	4" CYLINDER
Q10-0720	5" CYLINDER

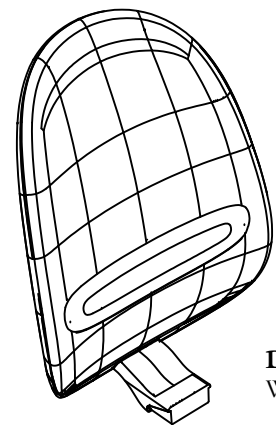
OR



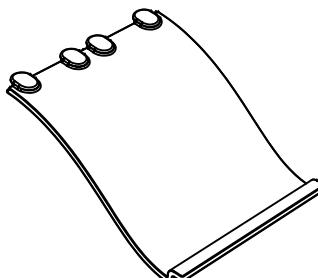
**C- Seat With Arms / Seat Without Arms x 1**



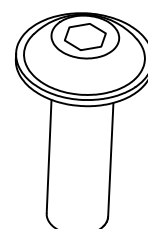
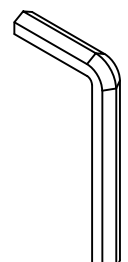
OR



**D- Back Without Lumbar / Back With Lumbar x 1**

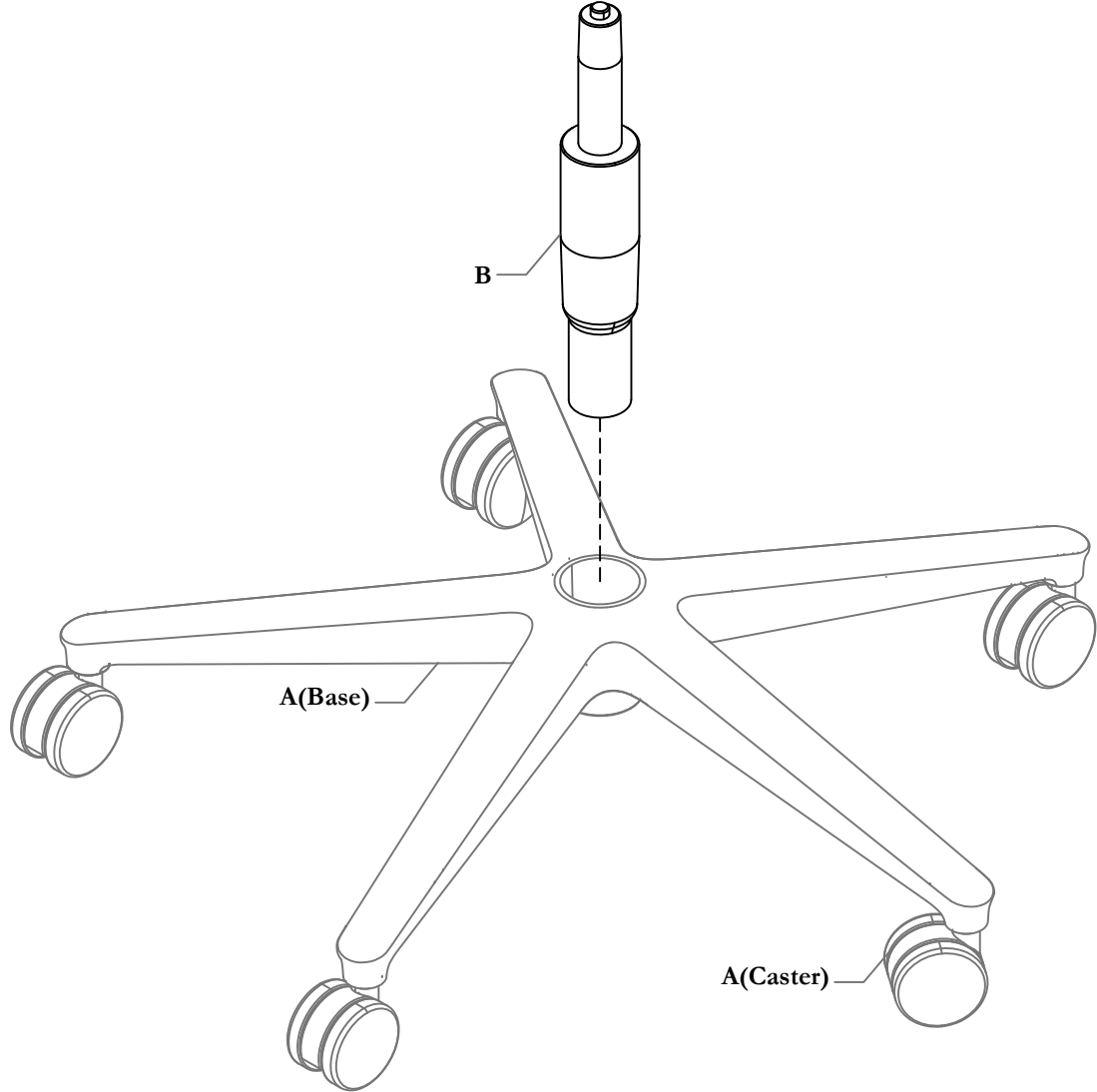


**E- Back Cap (Q14-0832) x 1**

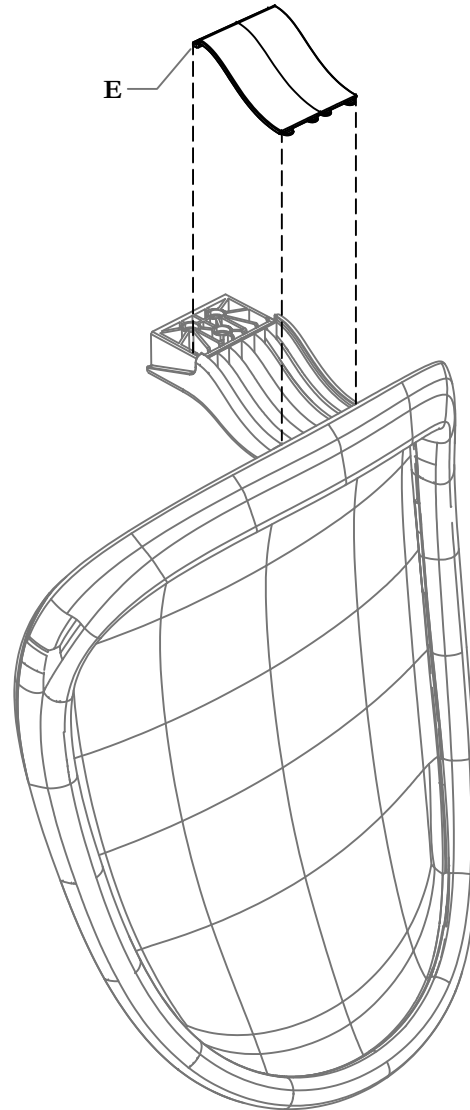
**F- Head Screw (Q28-0801) x 3**

ATTACH CYLINDER TO BASE



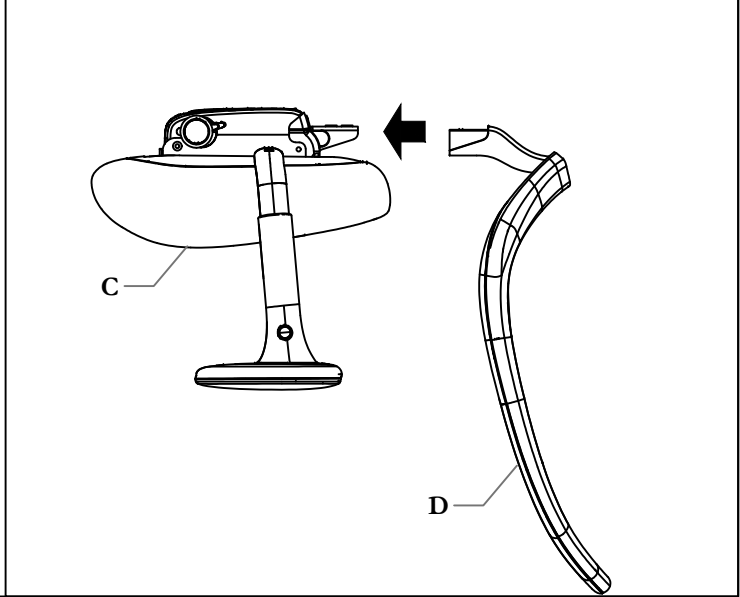
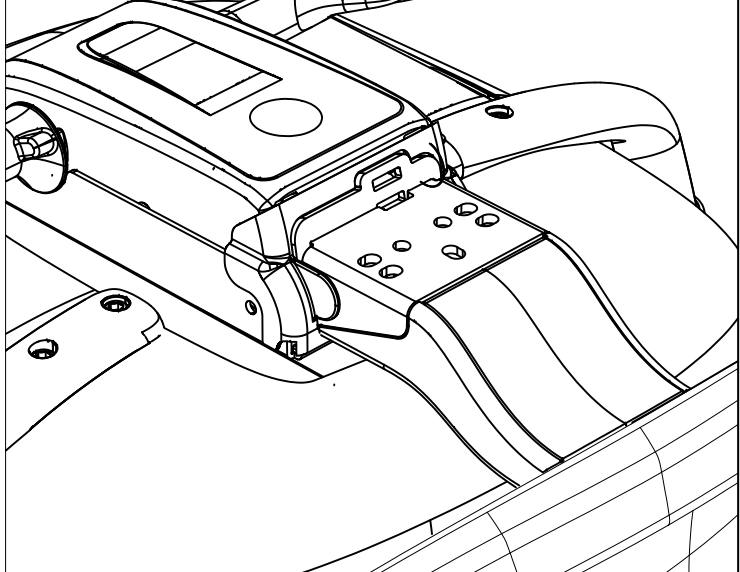
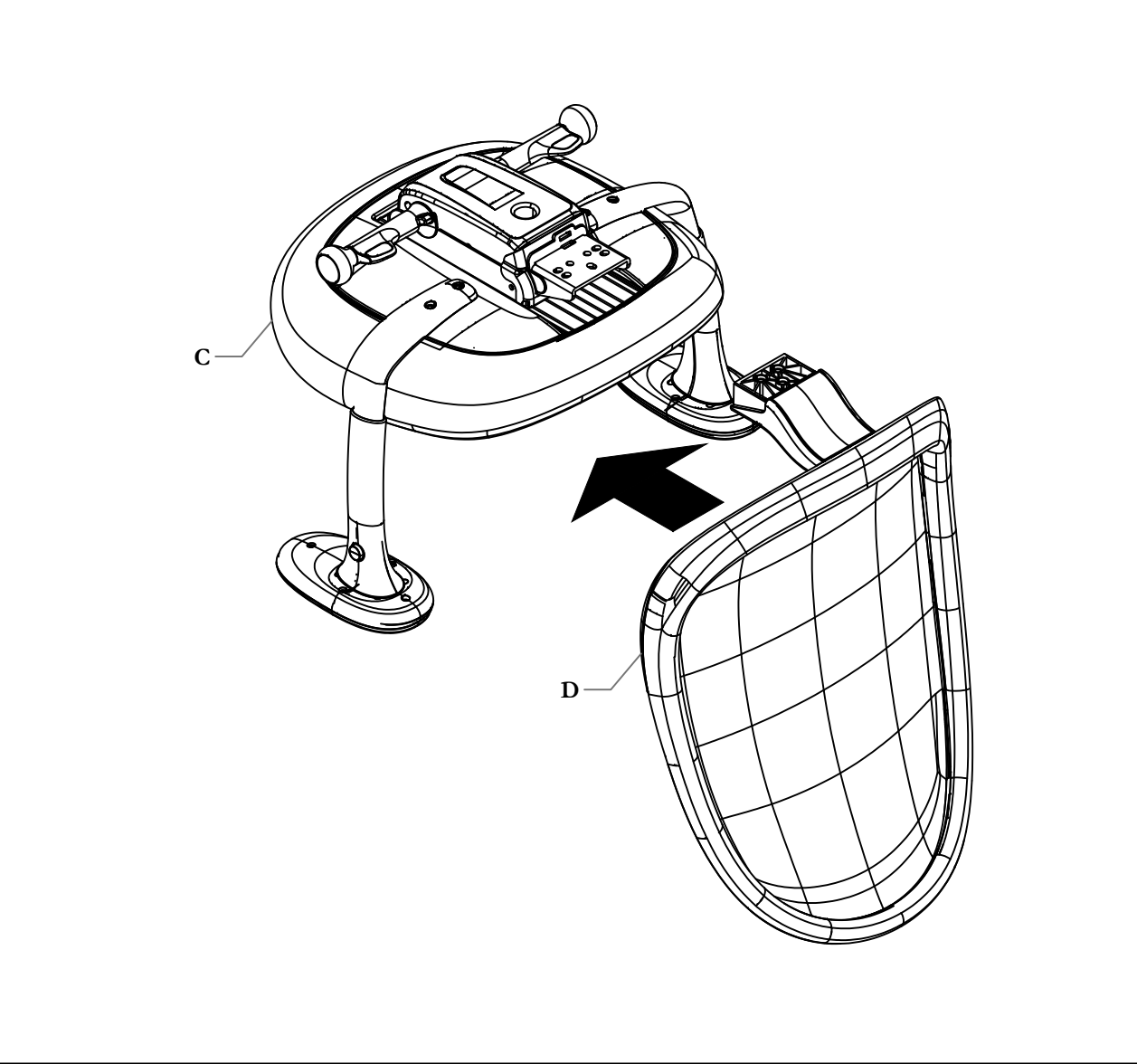
STEP 1: Attach Cylinder to the Base

**ATTACH THE BACK CAP**



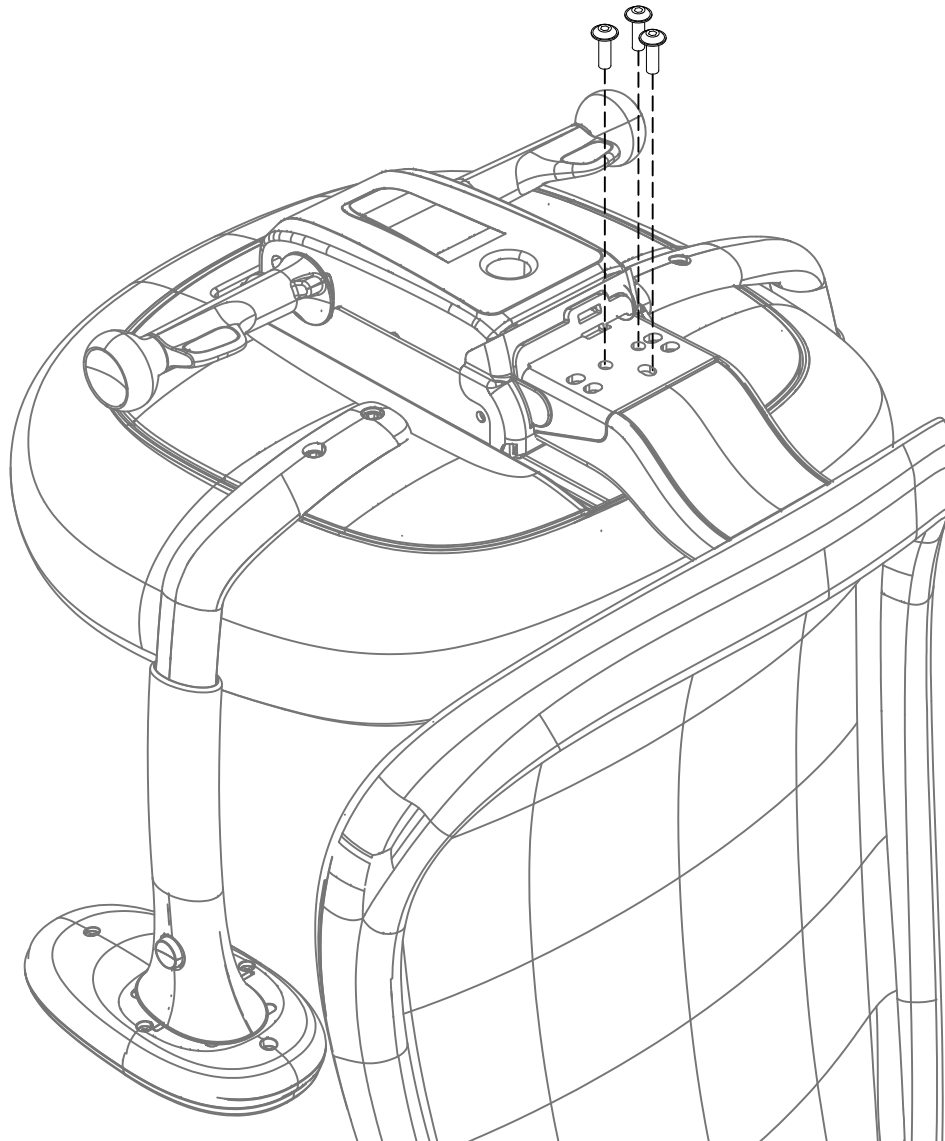
STEP 2: Attach the Back Cap to the Back.

ASSEMBLE BACK WITH THE SEAT



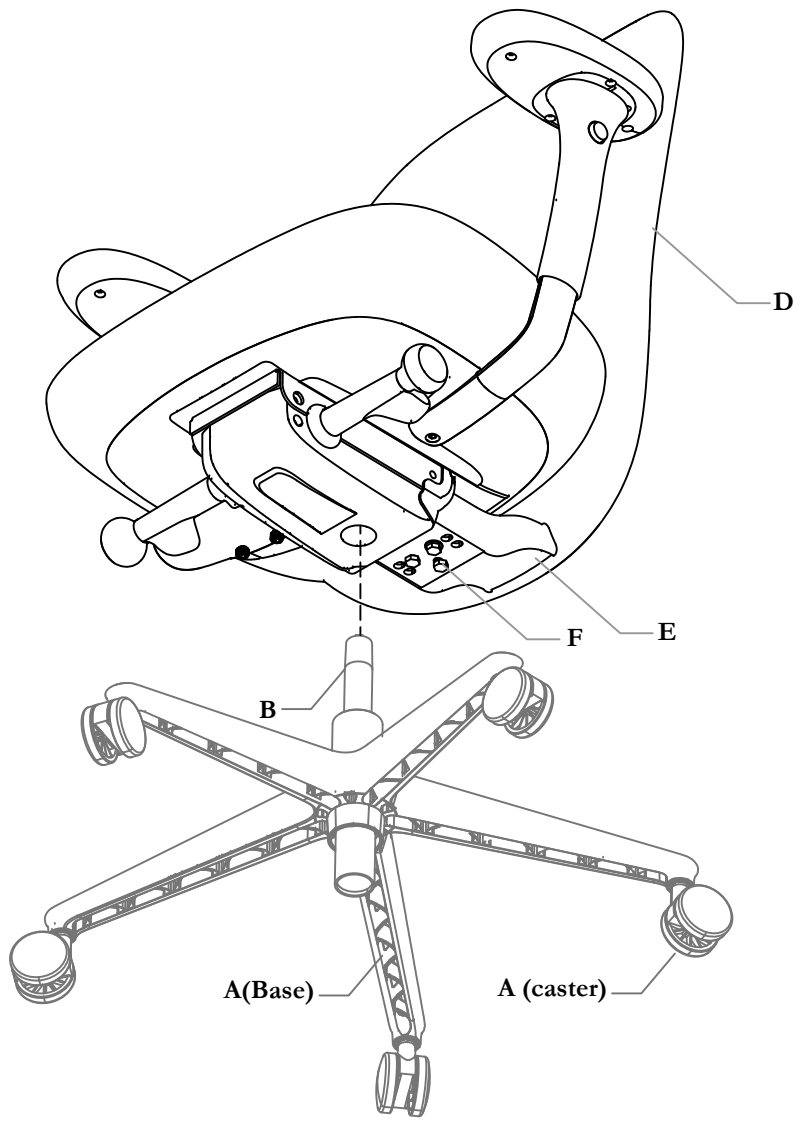
STEP 3: Attach the Back to the Seat

**ATTACH HEAD SCREW**



STEP 4: Attach the Head Screw

ATTACH THE BASE ASSEMBLY



STEP 5: Attach the Base assembly as shown