

adventura



adventura

product information

Adventura is a flexible lounge collections including a lounge chair, settee and sofa with a variety of options to fit in various workplace applications. Designed by the Studio TK Design team, Adventura brings in classic design details of European styles paired with Studio TK's flexible options to allow designers to select multiple fabrics, finishes and optional details. Inspired by a "choose your own adventure" selection of finishes and configurations makes this simple set of configurations very expansive for refined corporate spaces or crafted start-up environments.

The versatile lounge collection offers two leg styles, a four leg post or sled version, in either powdercoat paint or polished stainless steel. Additionally, the selection of upholstery options including a tufted back cushion in a sewn or button upholstery expands the options to a broader range of applications.

Designer	Typology
Studio TK Design Team	Lounge Seating
Collection	Year
StudioTK	2021

Fabrics & Finishes

Upholstery

Seat & back can be finished in different fabrics available from Luum; COM/COL

Sled Base Finishes

Polished Stainless Steel, Fundamental and Fashion Powdercoat finishes available

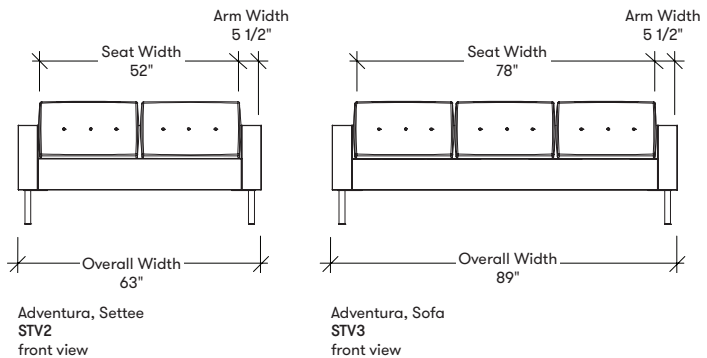
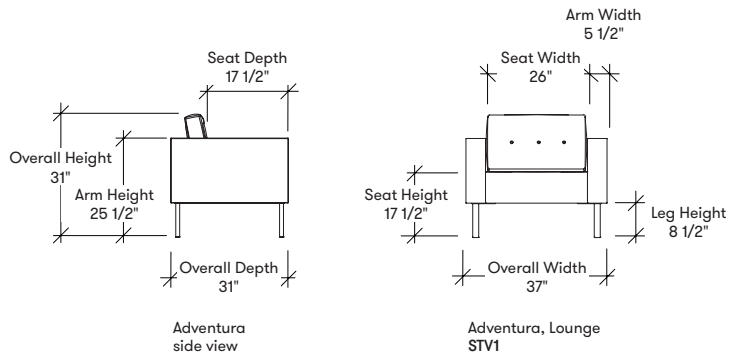
4-Leg Base Finishes

Polished Stainless Steel, Fundamental and Fashion Powdercoat finishes available

Collection



Dimensions



Studio TK

3940 US 70 Business Hwy, West
Clayton, North Carolina 27520, USA
Tel: 855.941.0262 / Fax: 919.464.2927
www.studiotk.com

©, TM Trademarks of teknion corporation and/or its subsidiaries or licensed to it. Patents may be pending. Some products may not be available in all markets. Contact your local Studio TK representative for availability.
CAN/US/INT 01-25 © Teknion 2021 Printed in Canada SS-095-0085EN

