

height-adjustable
bench

price & application guide

09.25.2023



teknion

update summary

Please be advised that information has been updated within the Height-Adjustable Bench Price & Application Guide. To highlight these updates, a summary has been created for your reference.

revised

The product description has been modified for the following products:

- **Navigate Surface Access Power Box (HNBEAP)**
- **hiSpace Surface Access Power Box (HWBEAP)**

Please note, first orders for new products will be accepted on September 25, 2023. All software will also be updated by September 25, 2023. If you have any questions regarding the information enclosed, please contact your Teknion Customer Service Representative.





WHAT IS HEIGHT-ADJUSTABLE BENCH 7

INDEX 12

NAVIGATE APPLICATION GUIDE 17

NAVIGATE PRICE & PRODUCT GUIDE . . . 69

HISPACE APPLICATION GUIDE. 165

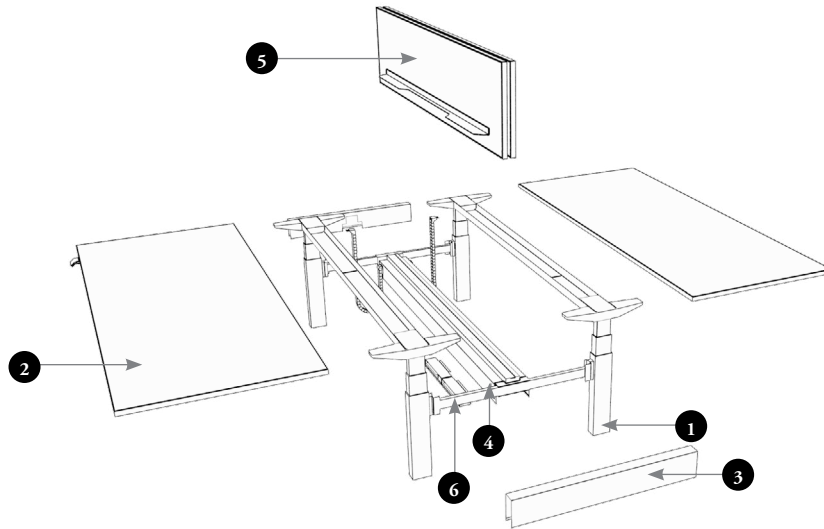
HISPACE PRICE & PRODUCT GUIDE 233

what is navigate & hispace height-adjustable bench

Height-Adjustable Bench creates benching workspaces that provide users individual control of their work and movement.

navigate

- Single or linked stations create a benching environment that fully supports user sit/stand ranges, technology requirements, and a high level of flexibility to create individual privacy
- Aesthetic and physical integration with Interpret & other Teknion products is achieved by an offering focused on surface details, common datum heights, multiple electrical packages and two ranges of height-adjustability
- A wide product and finish offering allows Height-Adjustable Bench to be planned at multiple price points



height-adjustable bench workstations must include

- 1 Frame
- 2 Worksurface
- 3 End Covers or End Gables (End Cover Shown)

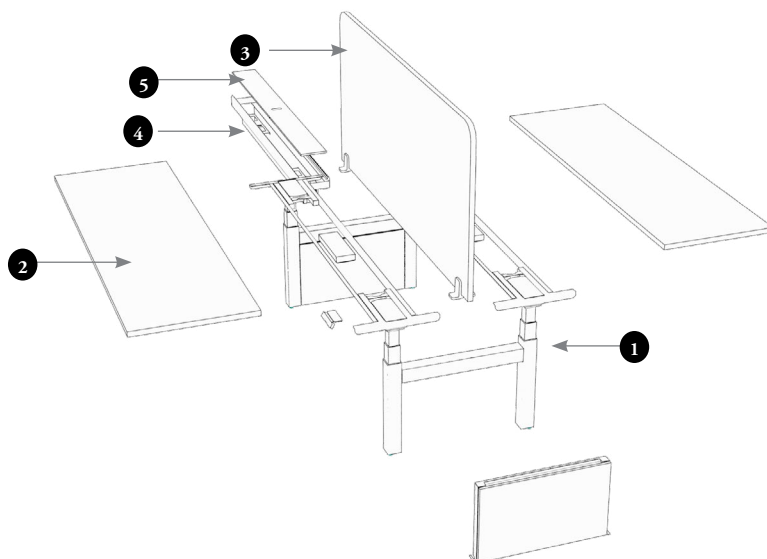
height-adjustable bench workstations can include

- 4 Cable Channel
- 5 Screening (Desk Edge / Fixed / End of Run)
- 6 Electrical (Power Bars / Multi-Circuit)

The Height-Adjustable Bench is made up of a simple kit of parts including Frames, End Covers & Gables, Worksurfaces, Screens and Electrical Components.

hiSpace

- Linked stations create a benching environment that fully supports user sit/stand ranges, technology requirements and a high level of flexibility to create individual privacy



hiSpace height-adjustable bench workstations must include

- 1 Universal Frame
- 2 Worksurface x 2

hiSpace height-adjustable bench workstations can include

- 4 Screening (Desk Edge / Fixed)
- 5 Electrical (Power Bars / Multi-Circuit) Only available on two or more sections (requires mid gable)
- 6 Cable Tray Cover

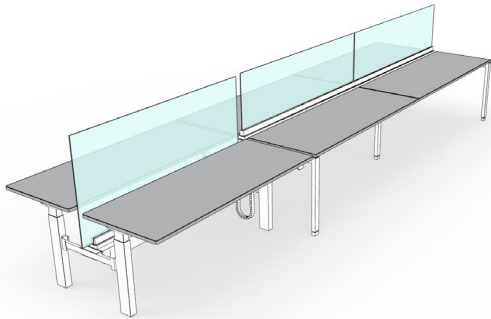
The Height-Adjustable Bench is made up of a simple kit of parts including a Universal Frame, Worksurfaces, Screens and Electrical Components.

what is height-adjustable bench

what is navigate & hispace height-adjustable bench (continued)

Navigate and hiSpace Height-Adjustable Bench can be specified on its own, or aesthetically integrated with other Teknion product settings. Navigate can also physically and electrically connect with Interpret.

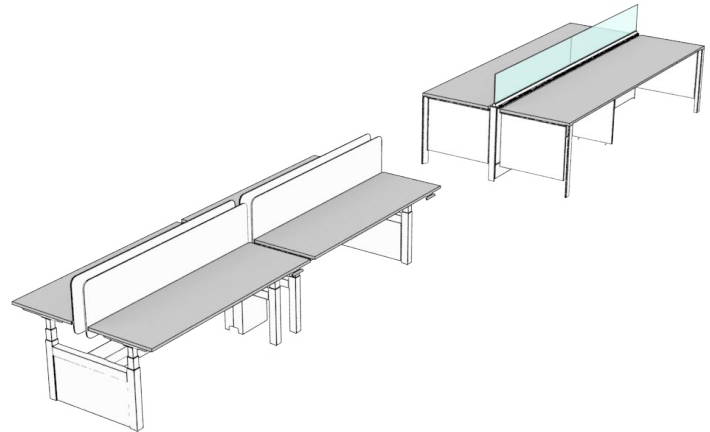
interpret



Navigate Height-Adjustable Bench with 51" datum, at end of Interpret run shown

The Navigate Height-Adjustable Bench can be integrated with Interpret either between or at the end of an Interpret run. Interpret intermediate legs will need to be replaced with end legs when integrating Height-Adjustable Bench. hiSpace Height-Adjustable Bench cannot be integrated into Interpret.

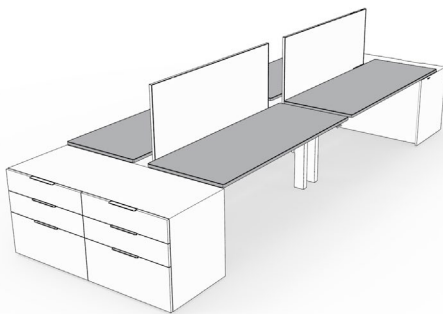
district and leverage



hiSpace Height-Adjustable Bench with 42" datum, beside District freestanding workstations shown

When Navigate or hiSpace Height-Adjustable Bench is being specified with product lines such as District, Interpret and Leverage, matching datum heights and finishes allow for an easy aesthetic integration throughout a floor plan.

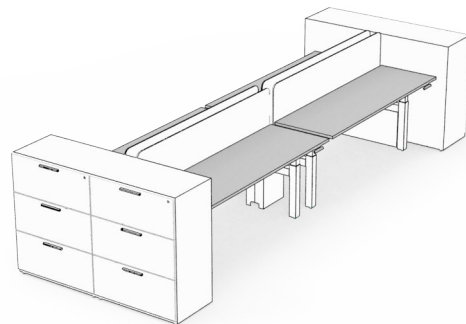
journal



Navigate Height-Adjustable Bench with Journal desk height storage shown

The Navigate Height-Adjustable Bench can be integrated with various storage lines in an open office setting to provide additional storage and privacy for the user.

expansion desking



hiSpace Height-Adjustable Bench with 42" datum, Expansion Desking storage shown

The hiSpace Height-Adjustable Bench can be integrated with various storage lines in an open office setting to provide additional storage and privacy for the user.

what is navigate & hispace height-adjustable bench (continued)

The following chart outlines the integration of Navigate and hiSpace Height-Adjustable Bench worksurfaces and screens with other Teknion product lines.

Finish	Worksurfaces	Navigate HAB	Navigate Freestanding Built-In	hiSpace HAB	hiSpace Freestanding	Interpret	District	Leverage
Source Laminate	Straight	✓	✓	✓	✓	✓		
Foundation Laminate	Straight	✓	✓	✓	✓			
	Flat	✓	✓	✓	✓	✓	✓	✓
	Bullnose	✓	✓	✓	✓			
	Full Knife	✓	✓	✓	✓	✓	✓	
Flintwood	Flat	✓	✓			✓	✓	✓
	Full Knife	✓	✓			✓	✓	
Natural Veneer	Flat	✓	✓				✓	
	Full Knife	✓	✓				✓	
Corner Profile	Radius Corner Profile	✓	✓	✓				✓
	Straight Corner Profile	✓	✓	✓	✓	✓	✓	✓

	Screens	Navigate	hiSpace	Interpret	District	Leverage
Glass	6mm Glass	✓		✓		✓
	10mm Glass	✓		✓	✓	
	Frosted Glass	✓		✓	✓	✓
	Clear Glass	✓		✓		
	Satin Glass			✓		
Frame Finishes	Foundation	✓	✓	✓	✓	✓
	Mica	✓	✓	✓	✓	✓
	Accent	✓	✓	✓		
Datums	42" Datum Height	✓	✓	✓		✓
	51" Datum Height	✓	✓	✓	✓	

introduction

where to find the information you need

Teknion provides an array of tools and information resources to help you get things done simply and easily. From product pricing to application guidelines to online planning suggestions, you will find what you need when you need it.

guide contents

This guide contains all the information you need to order this product through your specification software. The Introduction section provides everything you need to get started, including an index for product reference. The Application Guide section contains detailed specification guidelines, application and planning information to help you plan your project correctly. The Price Guide sections provide detailed pricing and specification information by product type. Available online at www.teknion.com.

where to find the information you need

All Teknion marketing materials are available online at www.teknion.com, including:

price & product guide

application guide

planning tool

installation guides

fabrics & finishes

product photography & drawings

weights & volumes

order forms

warranty/terms & conditions of sale

xpress program guide

teknion forms

The following forms are available online at www.teknion.com, to help you specify and place your order if required:

teknipaint

If you require a custom paint color match, you must submit a TekniPaint form.

using your own material (COM)

If you wish to use your own material on fabric-covered products, you must submit a completed COM form including a sample upholstery and safety testing. A COM Order Information Sheet must also be submitted. This form captures all relevant ordering and tracking information. A COM Request for Yardage Calculation form may be sent to Teknion for preliminary yardage requirements.

placing a manual order

Complete an Order Cover Sheet with the information we need to fill your order. This is the most important step. If the Order Cover Sheet is not complete and correct, the order may be delayed.

key requirements

If you require that certain pieces share the same locks you will need to specify Set of Keys Alike (SOKL) located in the Price and Product Guide.

user feedback

How is our marketing material working for you?

Feedback from the user is very important to the quality of Teknion's marketing material. We ask that if you have suggestions on how you think we could improve content OR if you have found an error, that you contact your Teknion Technical Services department.

index

Section Contents	Product Code	Page No.
WHAT IS HEIGHT-ADJUSTABLE BENCH		
What is Navigate & HiSpace Height-Adjustable Bench?		7
NAVIGATE		
NAVIGATE APPLICATION GUIDE		
Navigate Idea Starters Overview		19
Understanding Height-Adjustable Bench Frames		20
Frame Basics		24
Frame Accessory Basics		25
Planning with Frames		26
Worksurface Basics		30
Planning with Worksurfaces		31
Planning with Worksurface Edges		33
Planning with Worksurface Cut Outs & Grommets		34
Understanding Space Division		36
Mid & End Covers Basics		37
Mid & End Gables Basics		38
Planning with Mid & End Gables		40
Fixed Center Screen Basics		43
Desk Edge Screen Basics		44
Planning with Fixed & Desk Edge Screens		45
End of Run Screen Basics		48
Planning with End of Run Screens		50
Corridor Screen Basics		51
Planning with Corridor Screens		52
Study Carrel Screen Basics		53
Power Pole and Feed Basics		54
Planning with Power Poles and Ceiling Feeds		55
Planning with Base Feeds		58
Wire Management Basics		60
Planning with Wire Management and Electrics		62
Wiring System		65
Power Conservation System Basics		66
Planning with Power Conservation System		67
NAVIGATE FRAMES		
Navigate Frame	HNB FNA <small>One Table One Plug</small>	72
Navigate 120 Frame	HNB FNT <small>One Table One Plug</small>	74
Navigate Single-Sided Frame	HNB FNZ <small>One Table One Plug</small>	76
Navigate Wire Channel	HNB FCN	78
Frame Link	HNB FNF	79
System Link	HNB FNS	80
NAVIGATE WORKSURFACES		
Navigate Rectangular Worksurface	HNB WRN	84
Navigate 120 Worksurface	HNB WTN	88
Navigate Single-Sided Rectangular Worksurface	HNB WRS	90
Navigate Single-Sided Rectangular Extended Worksurface	HNB WES	92
NAVIGATE CASUAL SPACE DIVISION		
Navigate Desk Edge Screen – Fabric	HNB CDF	98
Navigate Desk Edge Screen – Solid	HNB CDS	100
Navigate Desk Edge Screen – Glass	HNB CDG	101
Navigate Fixed Center Screen – Fabric	HNB CFF	102
Navigate Fixed Center Screen – Solid	HNB CFS	103

Section Contents	Product Code	Page No.
Navigate Fixed Center Screen – Glass	HNB CFG	104
Infinity Screen Alignment Clip	GXCC	105
Navigate End of Run Screen – Fabric	HNB TEF	106
Navigate End of Run Screen – Solid	HNB TES	107
Navigate Single-Sided End of Run Screen – Fabric	HNB TSF	108
Navigate Single-Sided End of Run Screen – Solid	HNB TSS	110
Navigate Single-Sided Corridor Screen – Fabric	HNB LSF	112
Navigate Single-Sided Corridor Screen – Solid	HNB LSS	114
Navigate Single-Sided Screen Connection Bracket – Solid	HNB LBS	115
Navigate End Gable – Metal	HNB CGEMN	116
Navigate Single-Sided End Gable – Metal	HNB CGEMS	117
Navigate End Gable – Solid	HNB CGESN	118
Navigate Single-Sided End Gable – Solid	HNB CGESS	119
Navigate End Screen Gable – Metal	HNB CGSMN	120
Navigate Single-Sided End Screen Gable – Metal	HNB CGSMS	121
Navigate End Cover – Metal	HNB CCEMN	122
Navigate Single-Sided End Cover – Metal	HNB CCEMS	123
Navigate End Screen Cover – Metal	HNB CCSMN	124
Navigate Single-Sided End Screen Cover – Metal	HNB CCSMS	125
Navigate Mid Gable – Metal	HNB CGMMN	126
Navigate Single-Sided Mid Gable – Metal	HNB CGMMS	127
Navigate Mid Gable – Solid	HNB CGMSN	128
Navigate Single-Sided Mid Gable – Solid	HNB CGMSS	129
Navigate 120 Mid Gable – Metal	HNB CGMMT	130
Navigate 120 Mid Gable – Solid	HNB CGMST	131
Navigate Single-Sided Transition Mid Gable – Metal	HNB CGMMR	132
Navigate Single-Sided Transition Mid Gable – Solid	HNB CGMSR	133
Navigate Mid Cover – Metal	HNB CCMN	134
Navigate Single-Sided Mid Cover – Metal	HNB CCMMS	135
Navigate 120 Mid Cover – Metal	HNB CCMMT	136
STUDY CARREL SCREEN		
Study Carrel Screen	GYKB	140
NAVIGATE ELECTRICS		
Navigate Vertical Wire Carrier Vertical Cable Manager	HNB EEE	146
Navigate Base Feed	HNB EBF	147
Navigate Base Feed Cover	HNB EBC	148
Navigate Split Base Feed	HNB EBF S	149
Navigate Ceiling Feed	HNB ECF	150
Navigate Chicago Base Feed	HNB EBF CH	152
Navigate Chicago Ceiling Feed	HNB ECF CH	152
Navigate Chicago Power Module	HNB EPMCH	153
Navigate Single-Sided Chicago Power Module	HNB EPSCH	154
Navigate I-Connector	HNB EIC	155
Navigate Center Access Door	HNB ECD	156
Navigate Surface Access Power Box	HNB EAP	157
Navigate Power Harness	HNB EPH	158
Navigate Power Module	HNB EPM	159
Navigate Power Pole	HNB EPP	160
Navigate Receptacle Outlet	HNB ERO	161
Navigate Power Conservation System	HNB EPC	162

Section Contents	Product Code	Page No.
HISPACE		
HISPACE APPLICATION GUIDE		
hiSpace Frame Overview		170
hiSpace Frame Basics		173
hiSpace Planning with Frames		174
hiSpace Leveler Extension Block Basics		177
hiSpace Planning with Leveler Extension Blocks		178
hiSpace Base Link Basics		179
hiSpace Planning with Base Links		180
hiSpace Spine Tray Basics		182
hiSpace Planning with Spine Trays		183
hiSpace Spine Tray End Cover Basics		185
hiSpace Single-Sided Frame Weldment Cover Basics		186
hiSpace Planning with Single-Sided Frame Weldment Covers		187
hiSpace No Spine Screen Cover Basics		188
hiSpace Planning with No Spine Screen Covers		189
hiSpace Double-Sided End Gable Basics		190
hiSpace Double & Single-Sided Rectangular Worksurface Basics		191
hiSpace 120 Worksurface Basics		192
hiSpace Planning with Worksurfaces		193
hiSpace Center Access Door Basics		198
hiSpace Surface Access Power Box Basics		199
hiSpace Planning with Center Access Doors & Surface Access Power Box		200
hiSpace Cable Riser Basics		201
hiSpace Planning with Cable Risers		202
hiSpace Base Feed Basics		204
hiSpace Planning with Base Feeds		205
hiSpace Wire Management Basics		206
hiSpace Planning with Wire Management & Electrics		208
hiSpace Vertical Wire Carrier Basics		210
hiSpace Felt Cover Organizer Basics		211
hiSpace Wire Bridge Basics		213
hiSpace Double & Single-Sided Screens Overview		214
hiSpace Double-Sided Spine Screen Basics		215
hiSpace Planning with Double-Sided Spine Screens		216
hiSpace Double-Sided Desk Edge Screen Basics		217
hiSpace Planning with Double-Sided Desk Edge Screens		218
hiSpace Planning with Screens for 120 Frames		219
hiSpace Double-Sided End of Run Screen Basics		221
hiSpace Planning with Double-Sided End of Run Screens		221
hiSpace Single-Sided Corridor Screen Basics		222
hiSpace Planning with Single-Sided Corridor Screens		223
hiSpace Single-Sided Corridor Screen Alignment Clip - Solid Basics		224
hiSpace Planning Single-Sided Corridor Screen Alignment Clip - Solid		225
hiSpace Smooth Felt Lateral Screen Basics		226
hiSpace Planning with Smooth Felt Lateral Screens		227
hiSpace Low Profile Bag Drop Basics		228
hiSpace Low Profile Bag Drop Finishes		229

Section Contents	Product Code	Page No.
HISPACE DOUBLE-SIDED BENCH		
hiSpace Double-Sided Frame	HWBFYD	238
hiSpace Double-Sided Base Link	HWBFBD	239
hiSpace Double-Sided Spine Tray	HWBFTH	240
hiSpace Double-Sided Rectangular Worksurface with Square Corners	HWBWBD	242
hiSpace Double-Sided Rectangular Worksurface with Radius Corners	HWBWJD	244
hiSpace No Spine Screen Cover Plate	HWBF TV	246
hiSpace Double-Sided End Gable	HWBCGE	247
hiSpace Double-Sided Cable Riser - Mid	HWBECMD	248
hiSpace Double-Sided Spine Screen - Solid	HWBCTS	249
hiSpace Double-Sided Spine Screen - Framed Fabric	HWBCTF	250
hiSpace Double-Sided Desk Edge Screen - Infinity	HWBCDX	251
hiSpace Double-Sided Desk Edge Screen - Smooth Felt	HWBCDZ	252
hiSpace Double-Sided End of Run Screen - Solid	HWBTWS	253
hiSpace Double-Sided End of Run Screen - Framed Fabric	HWBTWF	254
HISPACE SINGLE-SIDED BENCH		
hiSpace Single-Sided Frame	HWBFYS	258
hiSpace Single-Sided Base Link	HWBFBS	259
hiSpace Single-Sided Spine Tray	HWBF SH	260
hiSpace Single-Sided Corridor Screen Alignment Clip - Solid	HWBLBS	261
hiSpace Single-Sided Cable Riser - Mid	HWBECMS	262
hiSpace Single-Sided Weldment Cover	HWBFSC	263
hiSpace Single-Sided Leveler Extension Blocks	HWBFWK	264
hiSpace Single-Sided Rectangular Worksurface with Square Corners	HWBWBS	266
hiSpace Single-Sided Rectangular Worksurface with Radius Corners	HWBWJS	268
hiSpace Single-Sided Corridor Screen - Solid	HWBLSS	270
hiSpace Single-Sided Corridor Screen - Framed Fabric	HWBLSF	271
HISPACE 120 BENCH		
hiSpace 120 Frame	HWBFYT	274
hiSpace 120 Worksurface with Square Corners	HWBWBT	275
hiSpace 120 Worksurface with Radius Corners	HWBWJT	276
hiSpace 120 Cable Riser	HWBECMT	277
hiSpace 120 Wire Bridge	HWBEWT	278

index

Section Contents	Product Code	Page No.
HISPACE ELECTRICAL COMPONENTS		
hiSpace Vertical Wire Carrier	HWBEEE	284
hiSpace Power Module	HWBEPM	285
hiSpace Chicago Power Module	HWBEPMCH	286
hiSpace Receptacle Outlet	HWBERO	287
hiSpace Base Feed	HWBEBF	288
hiSpace Split Base Feed	HWBEBFS	289
hiSpace Chicago Base Feed	HWBEBFCH	290
hiSpace Power Harness	HWBEPH	291
hiSpace I-Connector	HWBEIC	292
hiSpace Center Access Door	HWBECD	293
hiSpace Surface Access Power Box	HWBEAP	294
hiSpace Rigid Connector	HWBELC	295
hiSpace Data Extender Plate	HWBEXP	296
HISPACE UNIVERSAL COMPONENTS		
hiSpace Felt Cover Cable Organizer	HWBEWY	300
hiSpace Low Profile Bag Drop	HWBAWR	301
hiSpace Workstation Name Plate	HWBANP	302
hiSpace Smooth Felt Lateral Screen	HWBCLZ	303
hiSpace Cable Riser - End	HWBECE	304
hiSpace Wire Bridge	HWBEWB	305
hiSpace Spine Tray End Cover	HWBFTC	306

navigate application guide

navigate application guide

NAVIGATE IDEA STARTERS OVERVIEW	19
UNDERSTANDING HEIGHT-ADJUSTABLE BENCH FRAMES	20
FRAME BASICS	24
FRAME ACCESSORY BASICS	25
PLANNING WITH FRAMES	26
WORKSURFACE BASICS.	30
PLANNING WITH WORKSURFACES	31
PLANNING WITH WORKSURFACE EDGES	33
PLANNING WITH WORKSURFACE CUT OUTS & GROMMETS	34
UNDERSTANDING SPACE DIVISION	36
MID & END COVERS BASICS.	37
MID & END GABLES BASICS	38
PLANNING WITH MID & END GABLES.	40
FIXED CENTER SCREEN BASICS	43
DESK EDGE SCREEN BASICS.	44
PLANNING WITH FIXED & DESK EDGE SCREENS	45
END OF RUN SCREEN BASICS.	48
PLANNING WITH END OF RUN SCREENS	50
CORRIDOR SCREEN BASICS	51
PLANNING WITH CORRIDOR SCREENS	52
STUDY CARREL SCREEN BASICS	53
POWER POLE AND BASE FEED BASICS	54
PLANNING WITH POWER POLES AND CEILING FEEDS	55
PLANNING WITH BASE FEEDS	58
WIRE MANAGEMENT BASICS	60
PLANNING WITH WIRE MANAGEMENT AND ELECTRICS	62
WIRING SYSTEM	65
POWER CONSERVATION SYSTEM BASICS.	66
PLANNING WITH POWER CONSERVATION SYSTEM	67

understanding application guide pages

This application guide will include the following types of pages.

navigate application guides


understanding height-adjustable bench frames

Navigate Height-Adjustable Bench can be specified with one frame providing a one or two person workstation or in runs with multiple connected frames, in Standard and Extended Range electric mechanisms.

Navigate Height-Adjustable Bench frames are ideal for collaboration in an optimized space that provides customized ergonomic comfort to users. Navigate benches have two basic structures:

- Rectangular Frames - created with one or two worksurfaces
- L20 Frames - created with a minimum of three worksurfaces

The user can adjust the height of each workstation to meet their personal preference.



Each rectangular frame accommodates either a single user or two face to face users.

Each L20 frame accommodates three users.

All frames can be linked together to create innovative workstation clusters.

Frame Links connect two frames side-by-side or allow users to combine between the frames and ensure accurate spacing.

Rectangular and L20 Frames can be connected to each other.

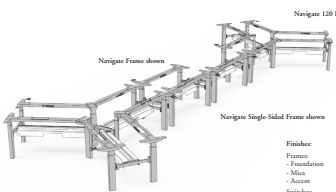
understanding pages

Used to describe the intent and common features of a group of products.

navigate application guides

frame basics

Navigate Height-Adjustable Benches begins with a Navigate Frame which can be linked to additional frames. Each frame section accommodates one, two or three users. The Navigate Frame matches the leg profile of Navigate freestanding, work and meeting tables.



Finishes:

- Frame: - Foundation
- Mica
- Acacia

Switches:

- Up/Down Memory
- Energy Conditions
- Toggle Up/Down Memory and Display
- Toggle with Memory and Navigate GPS
- Anti-flicker
- Platinum
- Crap Grey

- Height-Adjustable Ranges
 - Standard Range (27"-43")
 - Extended Range - Retracted (25"-48.7")
 - Extended Range - Extended (22.0"-48.7") electric mechanism
- Switch Types
 - Display with Up/Down Memory
 - Toggle Up/Down
 - Display Toggle with memory and Navigate GPS
- Cross Channel Integrated Powerbar available

basics pages

Used to describe the details of each individual product including:

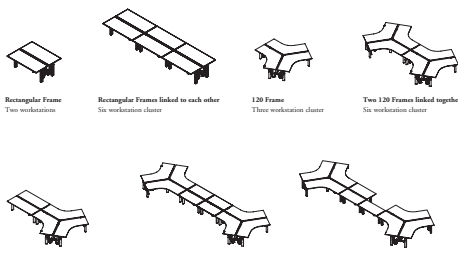
- Product codes
- Dimensions
- Options
- Features
- Links to the price page

navigate application guides

planning with frames

The following should be considered when planning with Frames.

Rectangular, L20 and Single-Sided Frames can be combined to create simple or innovative workstations.



One L20 Frame linked to one

Two L20 Frames linked to two

Two L20 Frames linked to one Rectangular

planning pages

Used to outline the rules and restrictions that should be considered when planning with products.

navigate idea starters overview

The following layouts are available on the Teknion Planning Tool.

understanding height-adjustable bench frames

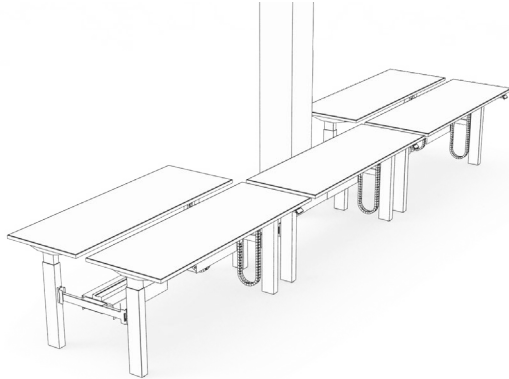
Navigate Height-Adjustable Bench can be specified with one frame providing a one or two person workstation or in runs with multiple connected frames, in Standard and Extended Range electric mechanisms.

Navigate Height-Adjustable Bench frames are ideal for collaboration in an optimized space that provides customized ergonomic comfort to users.

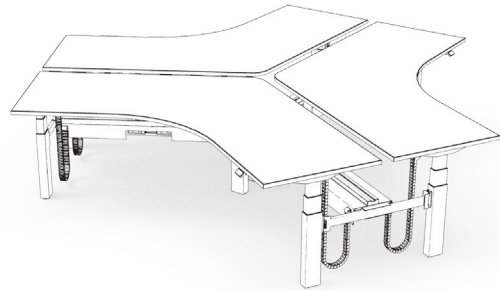
Navigate benches have two basic structures:

- Rectangular Frames - created with one or two worksurfaces
- 120 Frames - created with a minimum of three worksurfaces

The user can adjust the height of each worksurface to meet their personal preference.



Each rectangular frame accommodates either a single user or two face to face users.

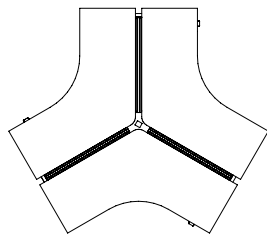


Each 120 frame accommodates three users.

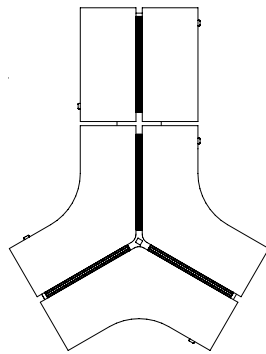
All frames can be linked together to create innovative workstation clusters.

Frame Links connect two frames side by side to allow power to continue between the frames and ensure accurate spacing.

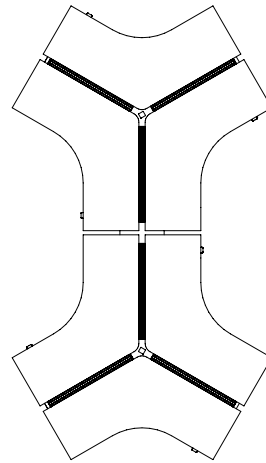
Rectangular and 120 Frames can be connected to each other.



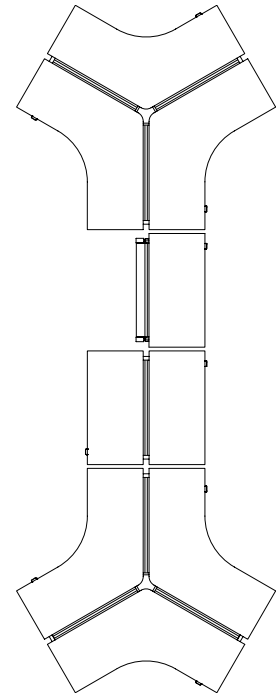
120 Frame, three workstation cluster



120 Frame, three workstation cluster, linked to Rectangular Height-Adjustable Bench



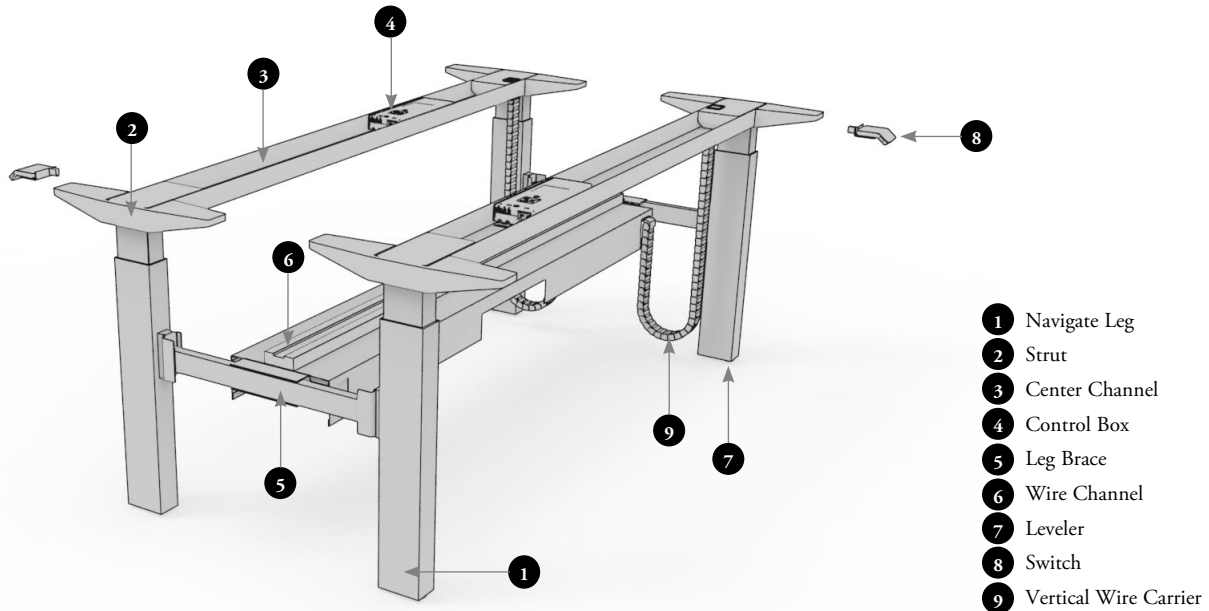
Two 120 Frame three workstation clusters linked together



Two 120 Frame, three workstation clusters, linked to one Rectangular and one Rectangular Single-Sided Height-Adjustable Bench

understanding height-adjustable bench frames (continued)

rectangle frame

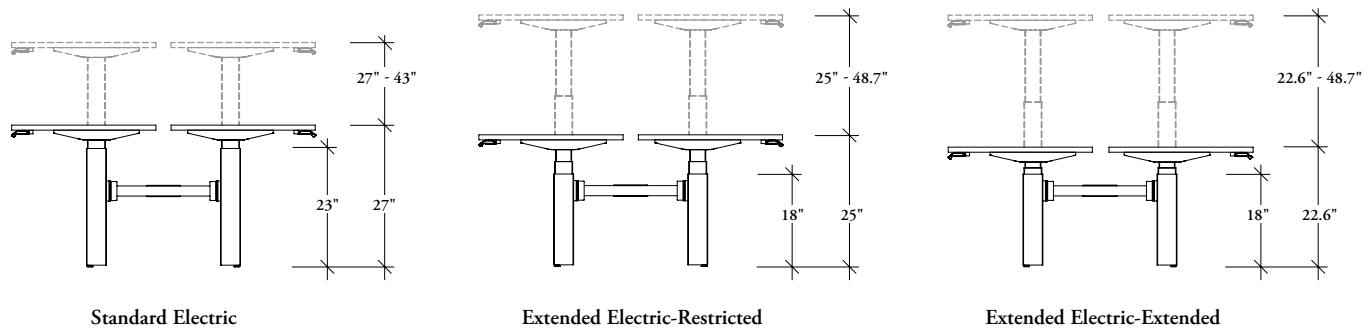


height-adjustment ranges

Three height ranges are available:

- Standard Electric
- Extended Electric - Restricted
- Extended Electric -Extended

Each frame can have only one height-adjustment range, but can vary from frame to frame as they operate independently even though they are linked.



collision detection

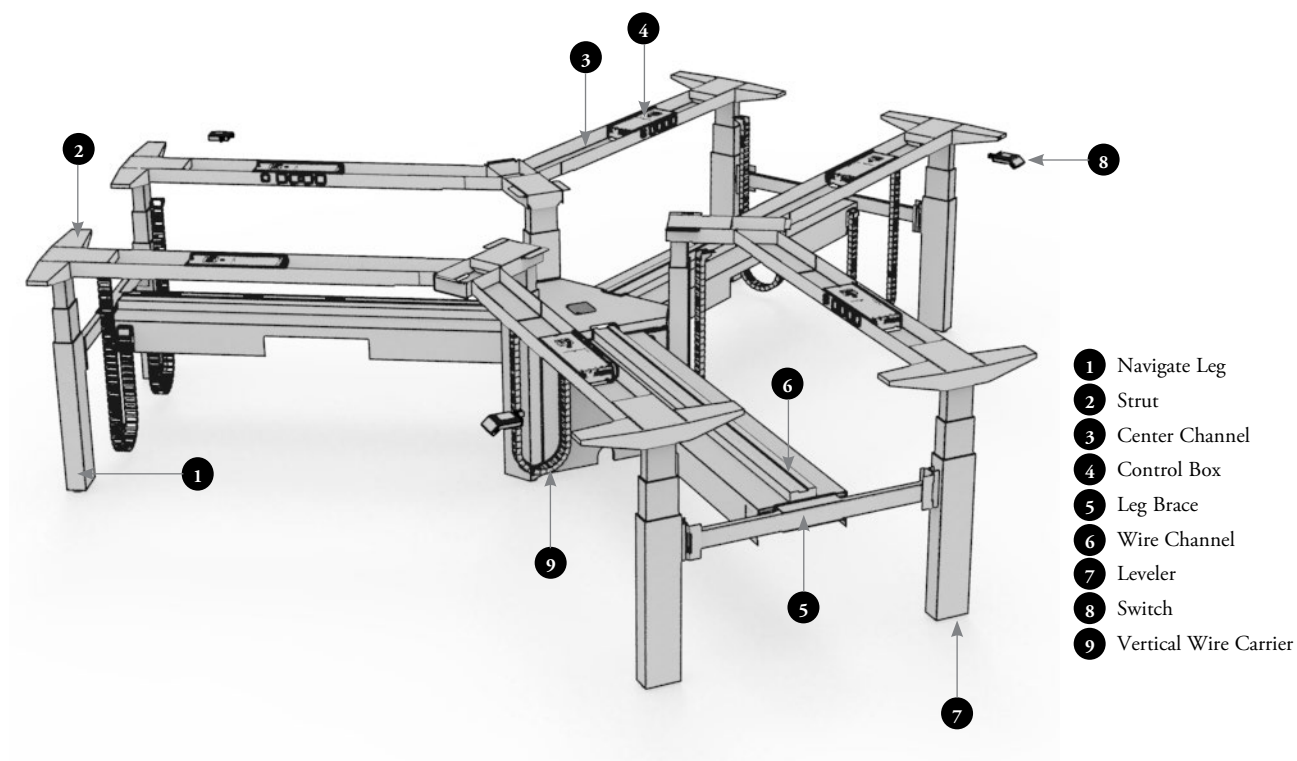
Collision Detection is a standard feature on all Navigate Height-Adjustable Bases and Tables.

The Collision Detection system detects when the table collides with an object in the up or down direction that substantially impedes the movement of the table. Once a detection is made, the table will stop, reverse direction by 1", display an error code on the control panel, and lock out all adjustment for a minimum of 3 seconds.

The detection works by continually comparing the overall power draw of the table when making height adjustments; in the event of an inconsistent power draw between the table legs, the Collision Detection's features activate.

understanding height-adjustable bench frames (continued)

120 frame

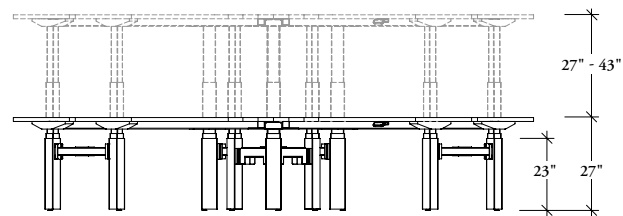


height-adjustment ranges

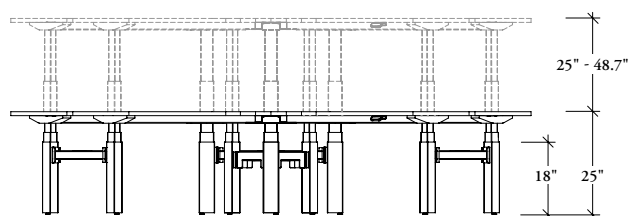
Three height ranges are available:

- Standard Electric
- Extended Electric - Restricted
- Extended Electric -Extended

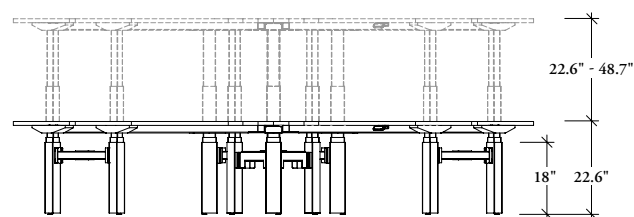
Each frame can have only one height-adjustment range, but can vary from frame to frame as they operate independently even though they are linked.



Standard Electric



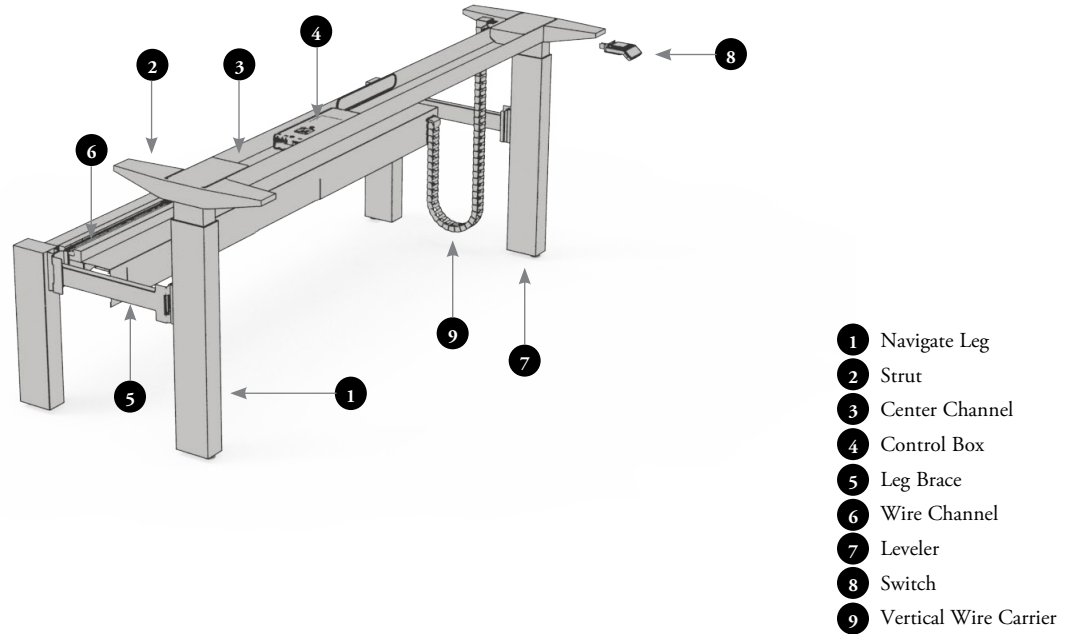
Extended Electric-Restricted



Extended Electric-Extended

understanding height-adjustable bench frames (continued)

single-sided frame

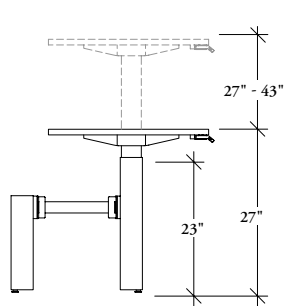


height-adjustment ranges

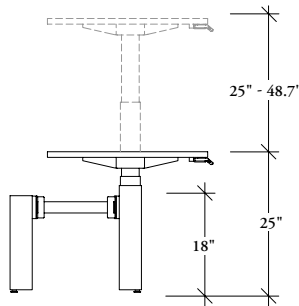
Three height ranges are available:

- Standard Electric
- Extended Electric - Restricted
- Extended Electric - Extended

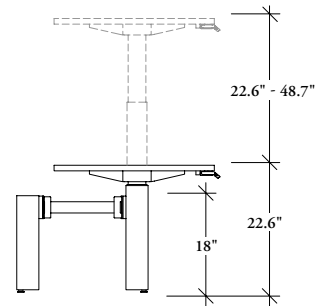
Each frame can have only one height-adjustment range, but can vary from frame to frame as they operate independently even though they are linked.



Standard Electric



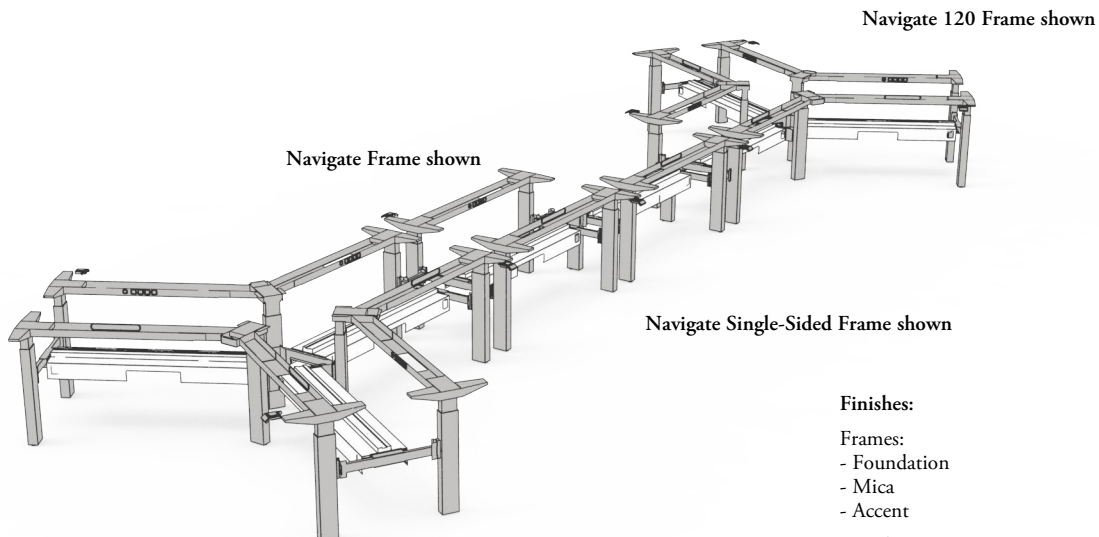
Extended Electric-Restricted



Extended Electric-Extended

frame basics

Navigate Height-Adjustable Bench begins with a Navigate Frame which can be linked to additional frames. Each frame section accommodates one, two or three users. The Navigate Frame matches the leg profile of Navigate freestanding, work and meeting tables.



- Height-Adjustable Ranges
 - Standard Range (27"-43"),
 - Extended Range- Restricted (25"-48.7")
 - Extended Range- Extended (22.6"-48.7") electric mechanisms
- Switch Types
 - Display with Up/ Down Memory
 - Toggle Up/ Down
 - Display Toggle with memory and Navigate GPS
- Cross Channel Integrated Powerbar available
- Cable Management Accessories available:
 - Cable Organizer with Felt Cover
 - Dual Plastic Trays with Powerbar
 - Dual Plastic Trays

Finishes:

Frames:

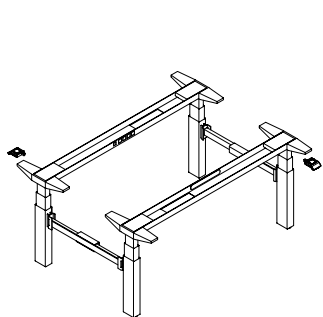
- Foundation
- Mica
- Accent

Switches:

- Up/Down Memory
- Ebony Coordinate

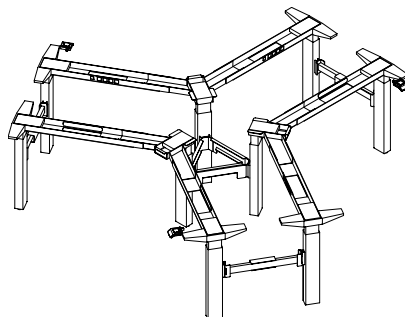
Toggle Up/Down Memory and Display Toggle with Memory and Navigate GPS

- Anthracite
- Platinum
- Crisp Grey



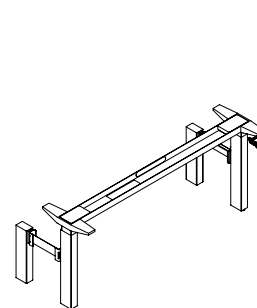
Navigate Frame (HNBFA)

- Used with two rectangular worksurfaces to create a bench
- Depths:
 - 48", 60" and 72"
- Widths:
 - 46"-94" in 6" increments



Navigate 120 Frame (HNBFT)

- Used with three 120 worksurfaces to create a bench
- Depths:
 - 48" and 60"
- Widths:
 - 46", 52" and 58"

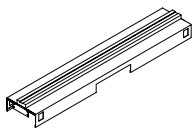
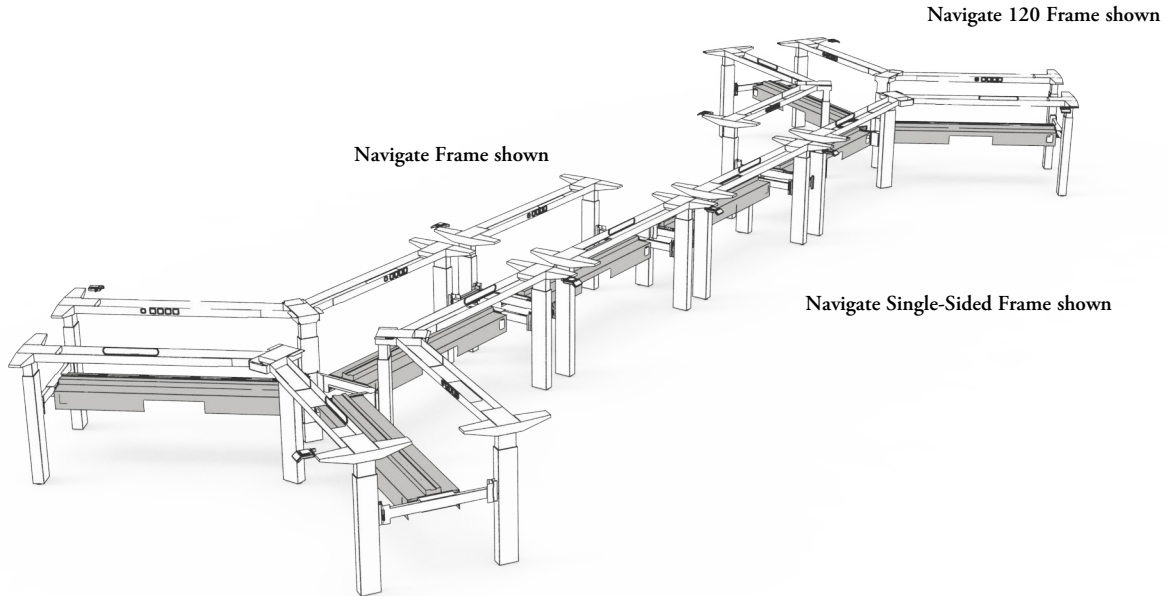


Navigate Single-Sided Frame (HNBFNZ)

- Used with one rectangular worksurfaces to create a bench
- Depths:
 - 24" and 30"
- Widths:
 - 46"-94" in 6" increments

frame accessory basics

Navigate Height-Adjustable Bench offers options for linking frames to each other, the Interpret Bench and for concealing power.



Navigate Wire Channel (HNBFCN)

- Mounts to the leg brace and conceals the power module, base feed, receptacles and power harness
- Depth:
 - 7"
- Widths:
 - 46"- 94" in 6" increments
- Available for Dual-Sided and Single-Sided Applications
- Navigate Wire Channel, Dual-Sided has a standard capacity of four duplex outlets (eight in total)
- Navigate Wire Channel, Single-Sided has a standard capacity of two duplex outlets (four in total)
- Includes data provision
- Includes removable side door for access to electrical outlets
- Finishes:
 - Foundation
 - Mica
 - Accent



Navigate Frame Link (HNBFFN)

- Used to connect two Navigate Height-Adjustable Frames together
- Contains two brackets, one package is required for each bench connection
- The link is concealed by Mid Covers and Mid Gables
- Finished in Ebony



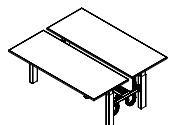
Navigate Systems Link (HNBFSN)

- Used to join an Interpret Bench Frame to a Navigate Height-Adjustable Frame
- Includes an integrated wire management channel to allow for the continuation of modular electrics between products
- Finishes:
 - Foundation
 - Mica
 - Accent

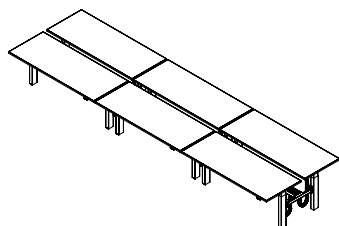
planning with frames

The following should be considered when planning with Frames.

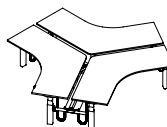
Rectangular, 120 and Single-Sided Frames can be combined to create simple or innovative workstations.



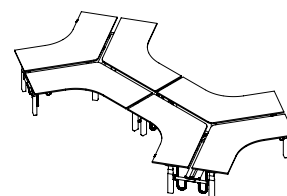
Rectangular Frame
Two workstations



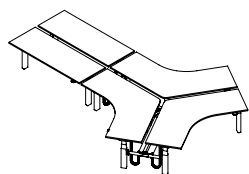
Rectangular Frames linked to each other
Six workstation cluster



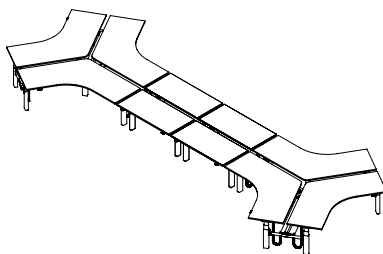
120 Frame
Three workstation cluster



Two 120 Frames linked together
Six workstation cluster

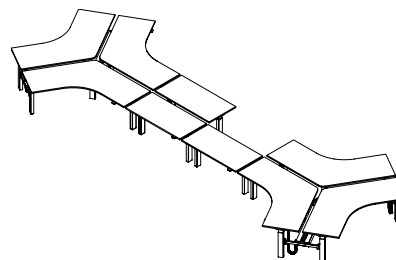


One 120 Frame linked to one rectangular frame
Five workstation cluster



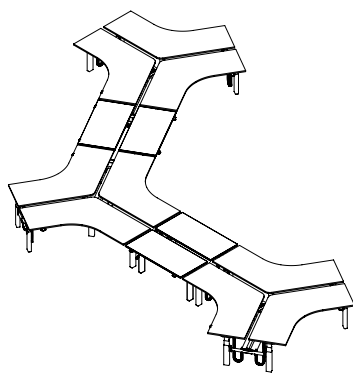
Two 120 Frames linked to two Rectangular Frames

- Ten workstation cluster
- Creates a dog bone style workstation

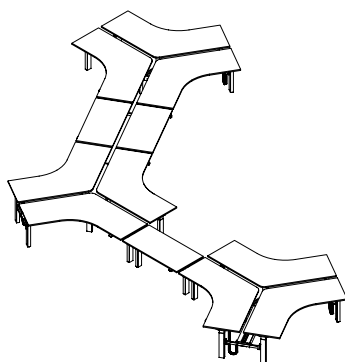


Two 120 Frames linked to one Rectangular Frame and one Single-Sided Frame

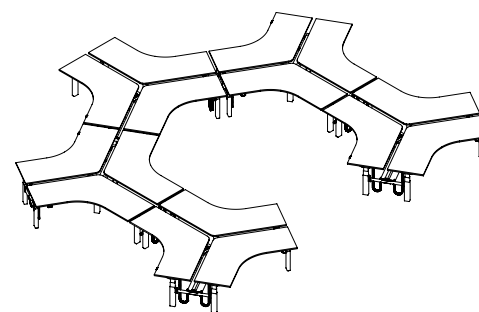
- Nine workstation cluster
- Creates a dog bone style workstation
- Single-Sided Frame allows for impediments when planning



Three 120 Frames linked to two Rectangular Frames
Thirteen workstation cluster or nine workstations with shared surfaces



Three 120 Frames linked to one Rectangular Frame and one Single-Sided Frame
Twelve workstation cluster or nine workstations with shared surfaces



Five 120 Frames linked together

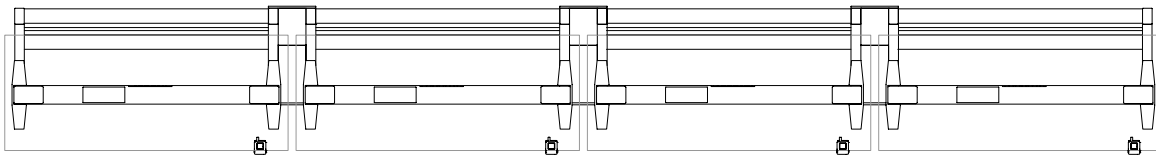
- Fifteen workstation cluster
- Creates a stock exchange style workstation

planning with frames (continued)

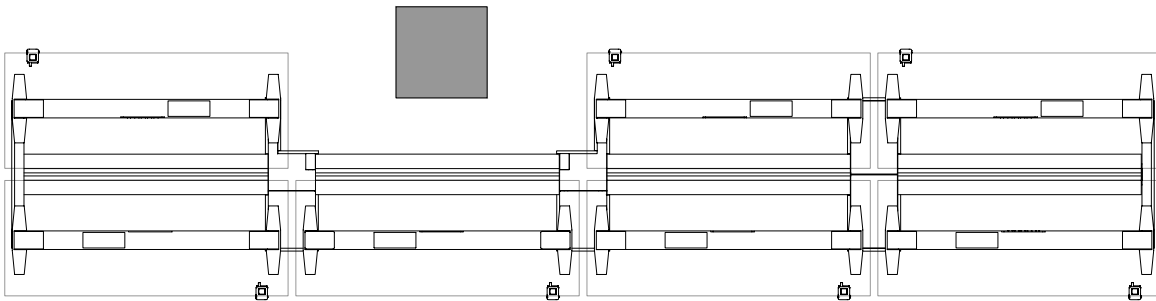
navigate single-sided frame

The Navigate Single-Sided Frame is paired with either Navigate Single-Sided Rectangular Worksurface (HNBWRS) or Navigate Single-Sided Rectangular Extended Worksurface (HNBWES) to create a Navigate Height-Adjustable Bench Single-Sided Stations.

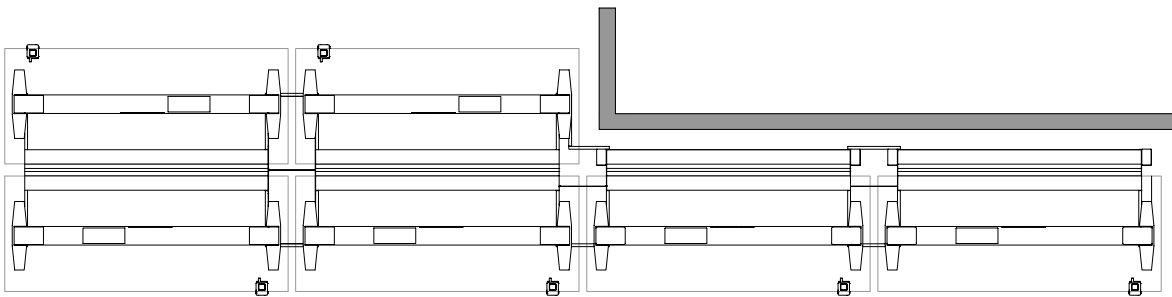
Single-Sided Bench



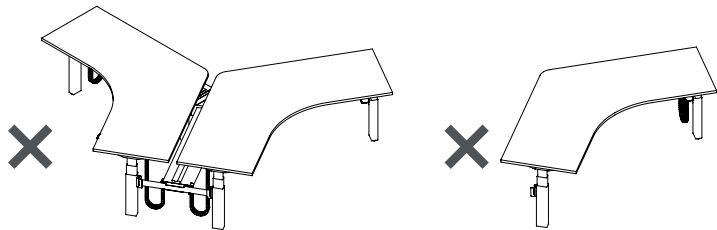
Column Condition



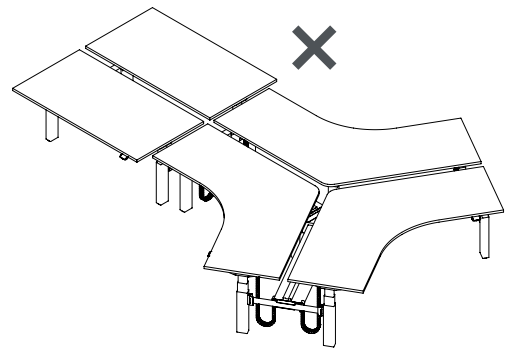
Wall Condition



planning with frames (continued)



Navigate 120 Frames always include three bases. Neither single or double user applications are possible.



Navigate 120 Frames cannot be linked to 72" Navigate Rectangular Frames. All worksurfaces must be the same depth.

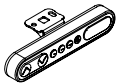
switches

NOTE: Display switches include the following:

- Ability to change units from imperial to metric
- Ability to display the actual height of the table

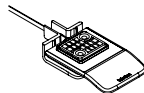
Three types of switches are offered;

1. Display with Up/Down Memory
2. Toggle Up/Down
3. Display Toggle with Memory and Navigate GPS



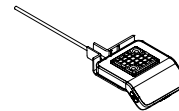
Display with Up/Down Memory (D)

- Basic up/down function
- Display
- Four programmable memory settings
- Error Code Read-Out



Toggle Up/Down (T)

- Basic up/down function
- Soft touch material
- Contoured shape for ease of use



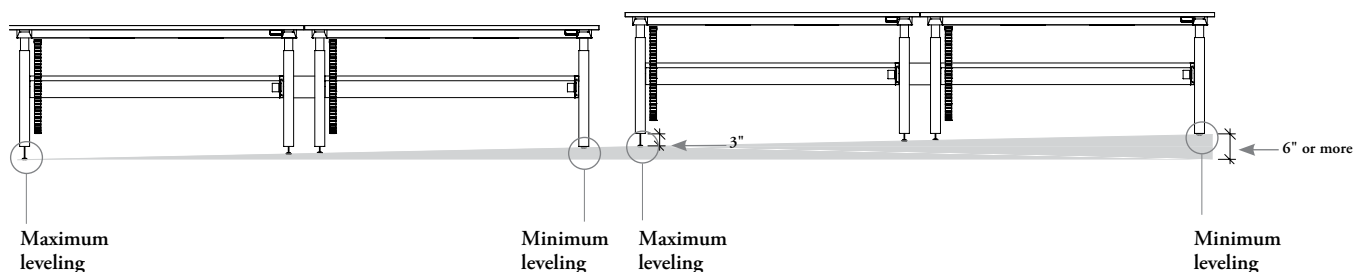
Display Toggle with Memory and Navigate GPS (X)

- Large display
- Four programmable memory settings
- Navigate GPS: Teknion's Sit/Stand Guides and Reminders Aid
- Teknion Sit/Stand Reminders Aid
- Soft touch material
- Can be reprogrammed using Teknion Switch Configuration software
- Error Code Read-Out with QR Code

leveling

Navigate Height-Adjustable Bench Frames allow for 3" of leveling. When more than 3" of leveling is required, a break in the bench run is necessary.

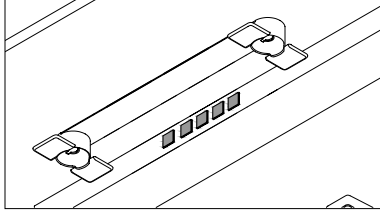
A site check prior to order is required to determine floor levels.



planning with frames (continued)

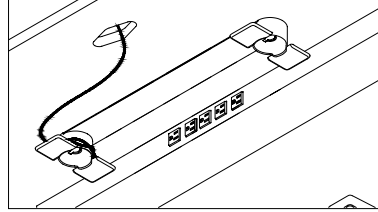
base frame integrated power bar and iec connection

The following options are available for base integrated power below the worksurface. Each can be specified as an option on Height-Adjustable Navigate Bench Frames.



No Electrics

- When no electrics are specified, a cover will be in place where electrics can be added
- Electrics can be added in the future



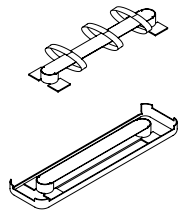
Cross Channel Integrated Powerbar

- Mounts inside the Cross Channel
- Four outlets and one internal cord that continues power through to the control box
- Available in table widths 46"-94"

For more information about planning with IEC connection and height-adjustability, refer to Complements: *Teknion's Ergonomics & Accessories Program*.

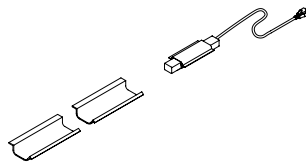
wire management

The following options are available for wire management below the worksurface. Each can be specified as an option on the Height-Adjustable Navigate Bench Frames.



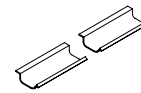
Cable Organizer with Felt Cover

- 7-1/2" width x 28" length
- Available on table widths 46" and larger
- Available on benches with 48", 60" depth (without central electrical grommet or rectangular grommet in center, without desk edge screen) and 72" depth
- Pilot holes on worksurfaces



Dual Plastic Trays with Powerbar

- Each Tray is 10" length x 4-3/4" width x 1-1/2" height
- Power Unit: 12" length x 1-1/4" width x 2" height
- Available on table widths 46" and larger
- Available on benches with 48", 60" and 72" depth
- No Pilot holes on worksurfaces

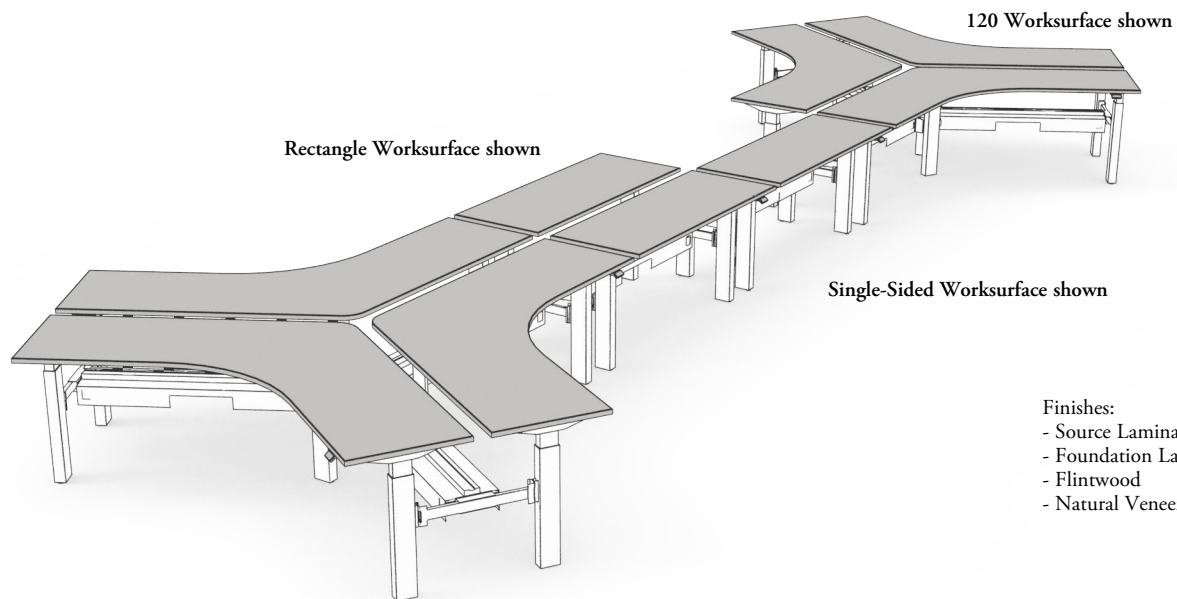


Dual Plastic Trays

- Each Tray is 10" length x 4-3/4" width x 1-1/2" height
- Available on table widths 46" and larger
- Available on benches with 48", 60" and 72" depth
- No pilot holes on worksurfaces

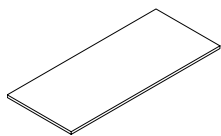
worksurface basics

Navigate Worksurfaces are available for Rectangular Frames and 120 Frames with a variety of center gap options to accommodate casual screens.



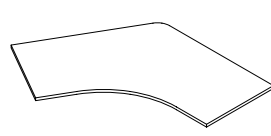
- Finishes:
- Source Laminate
 - Foundation Laminate
 - Flintwood
 - Natural Veneer

- Corner profile:
 - Rounded
 - Square
- Cut out locations:
 - Left, Right and Center
 - Left and Right
 - Left
 - Right
 - Center



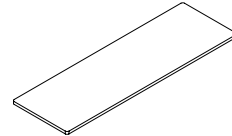
Navigate Rectangular Worksurface (HNBWRN)

- Depths:
 - 22", 23", 28", 29", 34" and 35"
 - All depths are nominal and actual depths are half inch less than nominal depth to allow screen space
- Widths:
 - 46"-94" in 6" increments
 - All widths are actual to match the frame widths



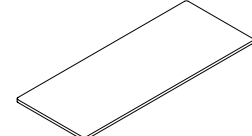
Navigate 120 Worksurface (HNBWTN)

- Depths:
 - 22", 23", 28" and 29"
 - All depths are nominal and actual depths are half inch less than nominal depth to allow screen space
- Widths:
 - 46", 52" and 58"
 - All widths are actual, to match the frame widths
- Rectangular Grommets cut out locations:
 - Left and Right
 - Left
 - Right



Navigate Single-Sided Rectangular Worksurface (HNBWRS)

- Depths:
 - 22", 23", 28" and 29"
 - All depths are nominal and actual depths are half inch less than nominal depth to allow screen space
- Widths:
 - 46"-94" in 6" increments
 - All widths are actual to match the frame widths



Navigate Single-Sided Rectangular Extended Worksurface (HNBWES)

- Depths:
 - 28" and 34"
 - All depths are actual
- Widths:
 - 46"-94" in 6" increments
 - All widths are actual to match the frame widths

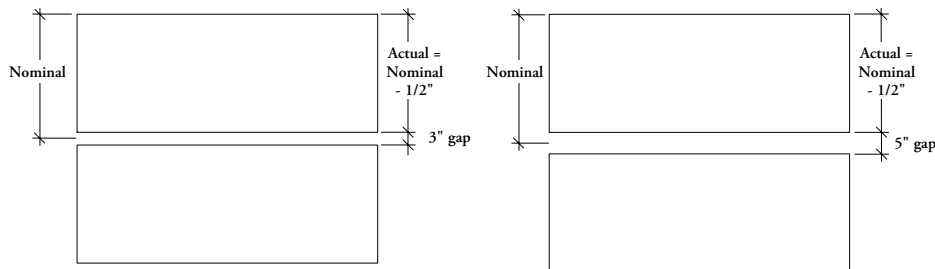
planning with worksurfaces

The following should be considered when planning with Navigate Worksurfaces.

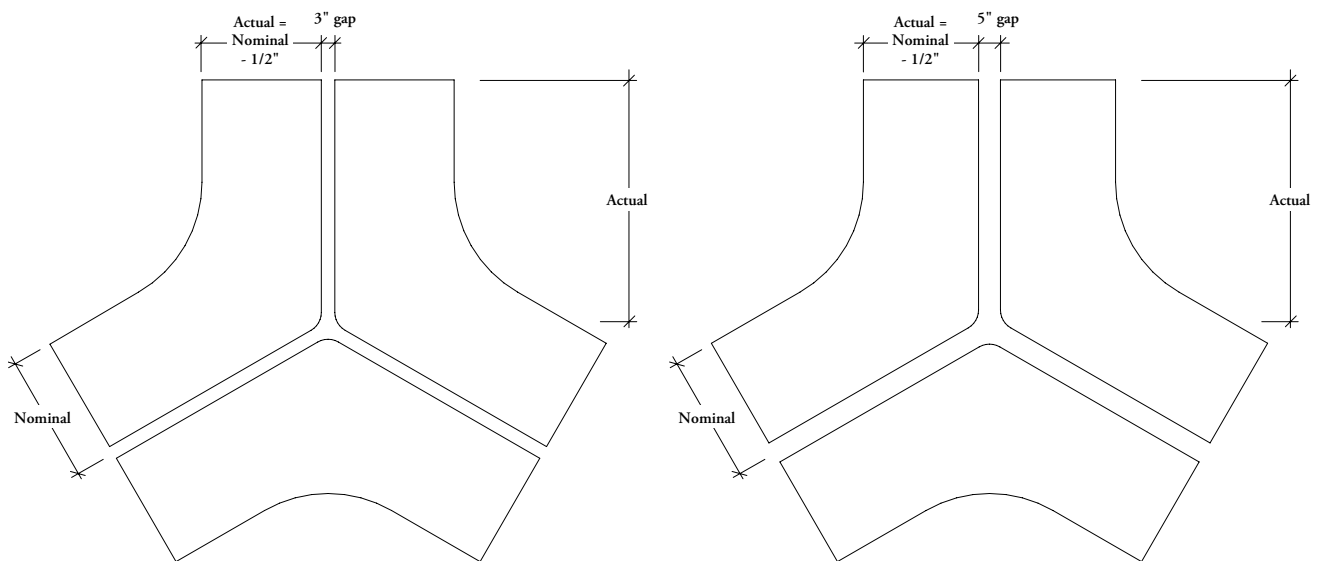
depths and widths

Depths of Navigate Rectangular Worksurface, Navigate 120 Worksurface and Single-Sided Worksurface are always nominal. Actual depth is 1/2" less to provide a 3" or 5" gap for space division. Depths for Navigate Rectangular Single-Sided Extended Worksurfaces are always actual. Widths for all worksurfaces are actual.

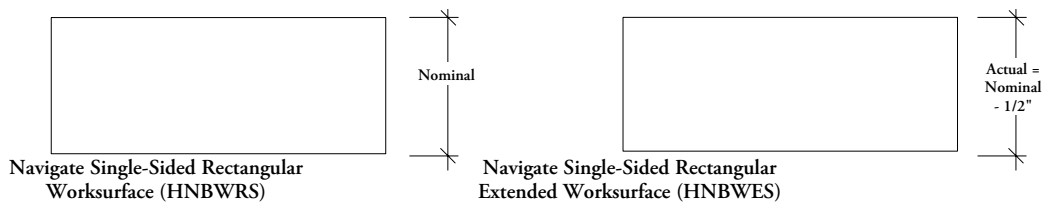
Navigate Rectangular Worksurface



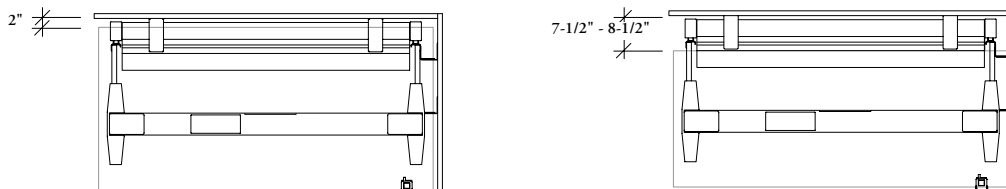
Navigate 120 Worksurface



Navigate Single-Sided Extended Worksurface



There is a 2" gap between a Navigate Single-Sided Rectangular Extended Worksurface and Corridor Screen.



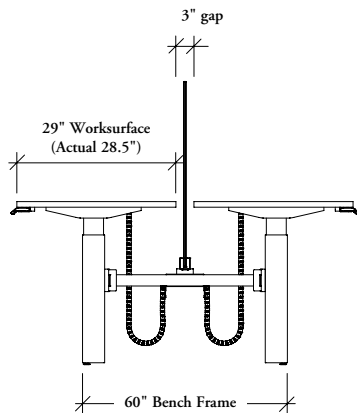
Navigate Single-Sided Rectangular Extended Worksurface with Corridor Screens

Navigate Single-Sided Rectangular Worksurface with Corridor Screens

planning with worksurfaces (continued)

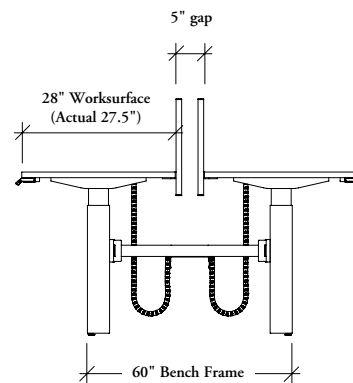
Worksurfaces for dual-sided applications are available with the following gaps:

- 3" to allow for a screen that is fixed to the frame
- 5" to allow for two screens mounted to the worksurfaces
- 5" to allow for a screen fixed to the frame, and two screens mounted to the worksurface



When a 3" gap is required for a frame mounted screen, the following worksurface depths are used on each of the frame depths

- 23" deep worksurface on 48" deep frame
- 29" deep worksurface on 60" deep frame
- 35" deep worksurface on 72" deep frame (72" depth is not available on a 120 Frame)

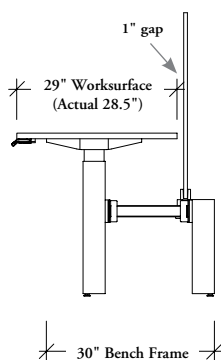
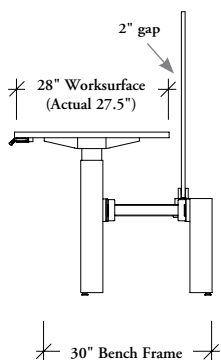


When a 5" gap is required for a frame mounted screen, the following worksurface depths are used on each of the frame depths

- 22" deep worksurface on 48" deep bench
- 28" deep worksurface on 60" deep bench
- 34" deep worksurface on 72" deep bench (72" depth is not available on a 120 Frame)



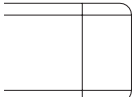
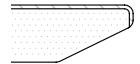
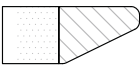


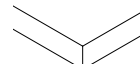
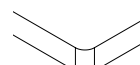
Single-Sided Rectangular Worksurfaces with Fixed Center Screens

- There is a 1" or 2" gap between the Navigate Single-Sided Rectangular Worksurface and Fixed Center Screen depending on what what depth of worksurface is specified.



planning with worksurface edges

The following chart outlines the finishes available on each edge type.

		Source Laminate	Foundation Laminate Surface	Flintwood Surface	Natural Veneer Surface
Flat (8) All Edges			✓		
Flat (9) All Edges				✓	✓
Flat (G) All Edges					
Full Knife (H)			✓	✓	✓
Full Knife (X) All Edges					
Straight Trim (6) User Edge		✓	✓		
Bullnose Trim (2) User Edge			✓		
Straight User Edge		✓	✓	✓	✓
Radius User Edge		✓	✓	✓	✓

- Full Knife, Eased and Bullnose edge details are only on the user side. Non-user edges are always Flat Trim
- Bullnose user edge detail will always have a Straight profile on the ends. All other corner profiles are as selected

planning with worksurface cut outs & grommets

When planning with worksurface cut outs and grommets two options are available:

- Rectangular cut out which allows cords to be routed from the worksurface top to below the worksurface (they are diamond shaped and include a rectangular cover)
- Navigate Surface Access Power Box is to be paired with a Navigate Rectangular Worksurface with Center Access Door cut out and Navigate Center Access Door to create a worksurface integrated user power solution

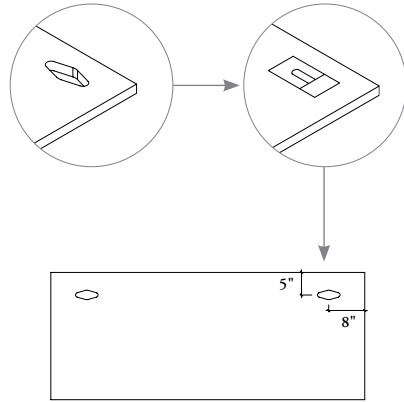
rectangular cut out

Cut out locations:

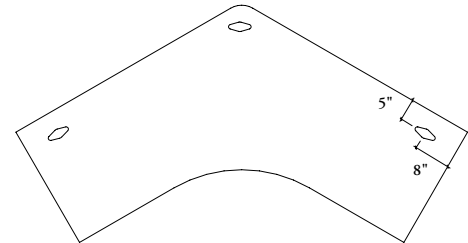
- 5" on center from the non-user edge
- 8" on center from the side edge

Available:

- Left, Right and Center
- Both Left and Right
- Left
- Right
- Center (if a Center Access Door cut out is specified a center mounted cut out cannot be specified) for Rectangular Worksurfaces



Rectangular Grommet (YEEG) cap must be specified separately and is available through Complements: *Teknion's Ergonomics & Accessories Program.*



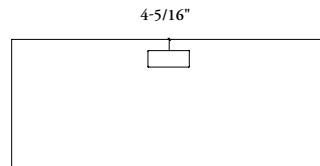
Navigate Rectangular Worksurface
(Single-Sided and Dual-Sided applications)

Navigate 120 Worksurface

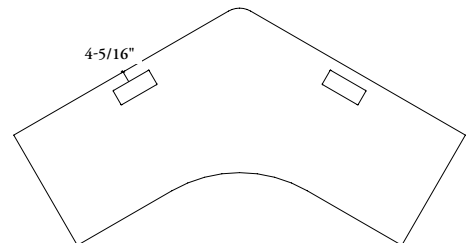
center access door cut out

Grommet locations:

- Navigate Rectangular Worksurface:
 - 4-5/16" from the non-user edge
 - Center only
- Navigate 120 Worksurface:
 - 4-5/16" from the non-user edge
 - Center left
 - Center right



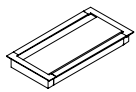
Navigate Rectangular Worksurface
(Single-Sided and Dual-Sided applications)



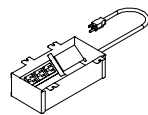
Navigate 120 Worksurface

When a Center Access Door cut out is specified on a worksurface, a Navigate Center Access Door must be ordered separately.

In addition, Navigate Surface Access Power Box must be ordered separately to complete the worksurface integrated solution.



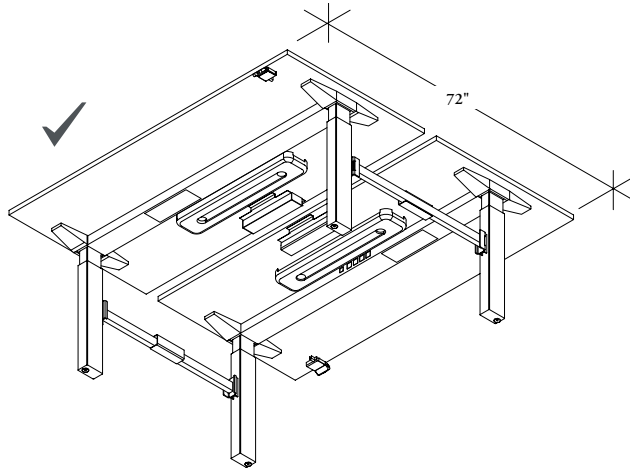
Navigate Center
Access Door



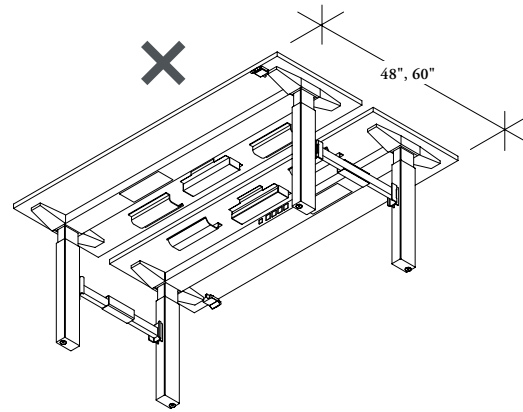
Navigate Surface
Access Power Box

planning with worksurface cut outs & grommets (continued)

Navigate Center Access Door can only be specified with Cable Organizer with Felt Cover with 72" depth Navigate Rectangular Frames. Navigate Center Access Door **will not** work with Integrated Power Bar.

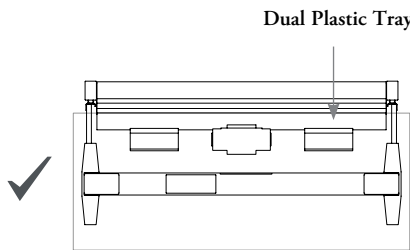


72" deep Navigate Rectangular Frames

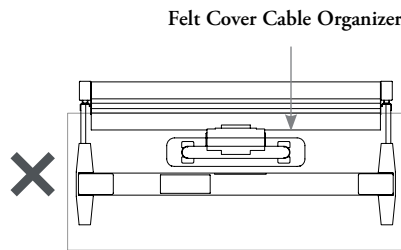


48" and 60" deep Navigate Rectangular Frames

If you specify the Navigate Center Access Door and a Navigate Surface Access Power Box for a Single-Sided Frame application, only the Dual Plastic Trays can be specified for wire management.



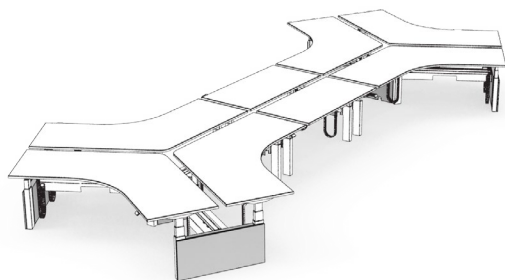
Navigate Rectangle Worksurface with
Navigate Center Access Door Dual
Plastic Trays



58" Navigate Rectangle Worksurface
with Navigate Center Access Door
with Navigate Surface Access Power
Box and Felt Cover Cable Organizer

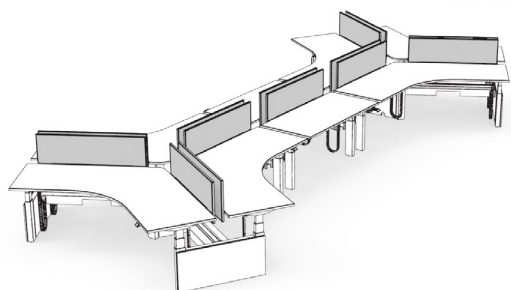
understanding space division

An variety of screens and covers are available to provide privacy for Navigate Height-Adjustable Bench users.



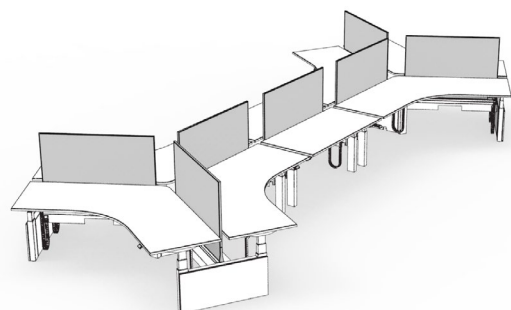
mid and end covers & mid and end gables

Mid and End Covers and Mid and End Gables conceal the leg braces and wire connections from one frame to the next in the bench.



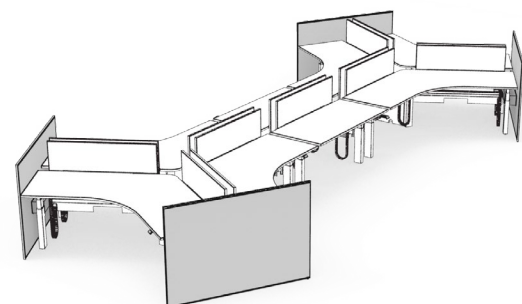
desk edge screens

Desk edge screens provide privacy and raise and lower with the worksurface when user adjusts the height for their workstation.



fixed center screens

Fixed center screens provide privacy in the seated position and maintain a uniform datum height when the workstations are at different heights..

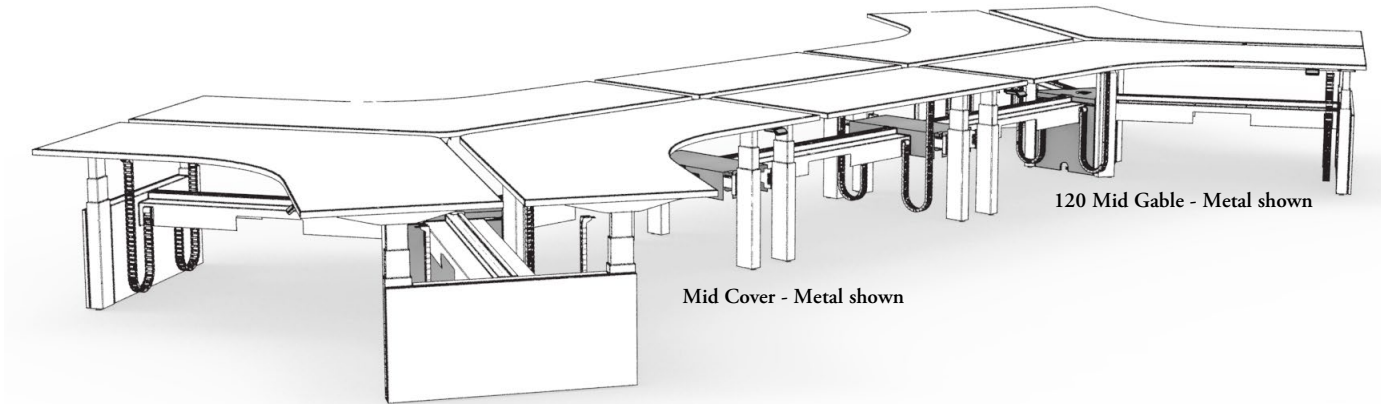


end of run screens

End of run screens provide privacy and spatial division at the end of a bench.

mid & end covers basics

Mid and End Covers are available to conceal the exposed leg of the Frame.

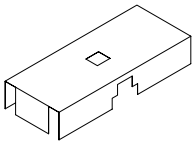


Depths:

- 48", 60" and 72" to match frame sizes

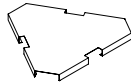
Finishes:

- Solid and Metal Covers:
 - Foundation
 - Mica
 - Accent



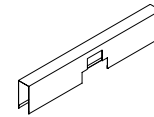
Navigate Mid Cover - Metal (HNBCCMMN)

- Conceals the mid leg brace in rectangular frame applications
- Power pole option is available
- Wire Channel option is available



Navigate 120 Mid Cover - Metal (HNBCCMMT)

- Conceals the mid leg brace in 120 frame applications
- Power pole option is available
- Wire Channel option is available



Navigate End Cover - Metal (HNBCCEMN)

- Conceals the end leg brace in rectangular and 120 frame applications



Navigate Single-Sided Mid Cover - Metal (HNBCCMMS)

- Conceals the Navigate Single-Sided Frame leg brace in the mid location
- Cannot be used with a Power Pole

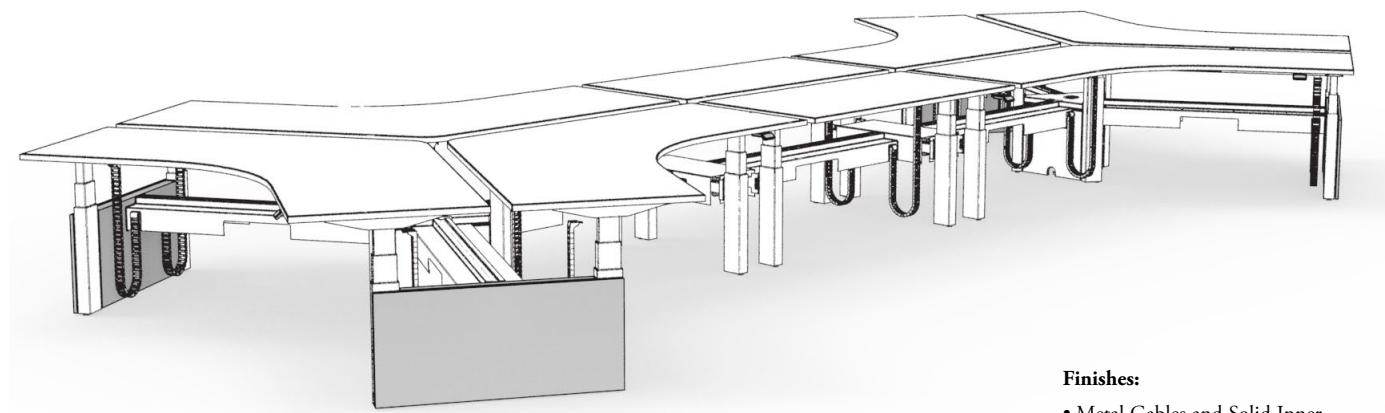


Navigate Single-Sided End Cover - Metal (HNBCCEMS)

- Conceals the Navigate Single-Sided Frame leg brace at the start or end of a run
- Power Pole option is available

mid & end gables basics

Mid and End Gables are available to conceal the end and mid leg braces and extend to the floor.

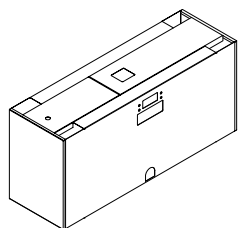


Solid End Gable shown

Finishes:

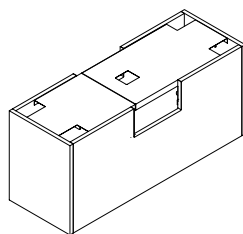
- Metal Gables and Solid Inner Gables:
 - Foundation
 - Mica
 - Accent
- Solid Outer Gables:
 - Source Laminate
 - Flintwood
 - Natural Veneer

Depths:
 • 48", 60" and 72" to match frame sizes



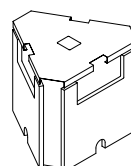
Navigate Mid Gable - Metal (HNBCGMMN)

- Conceals the mid leg brace and extends to the floor in rectangular frame applications
- Power pole option is available
- Base feed option is available



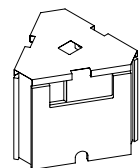
Navigate Mid Gable - Solid (HNBCGMSN)

- Conceals the mid leg brace and extends to the floor in rectangular frame applications
- Power pole option is available
- Base feed option is available



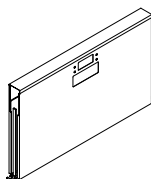
Navigate 120 Mid Gable - Metal (HNBCGMMT)

- Conceals the mid leg brace and extends to the floor in 120 frame applications
- Power pole option is available
- Base feed option is available



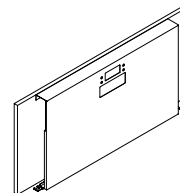
Navigate 120 Mid Gable - Solid (HNBCGMST)

- Conceals the mid leg brace and extends to the floor in 120 frame applications
- Power pole option is available
- Base feed option is available



Navigate End Gable - Metal (HNBCGEMN)

- Conceals the end leg brace and extends to the floor in rectangular and 120 frame applications

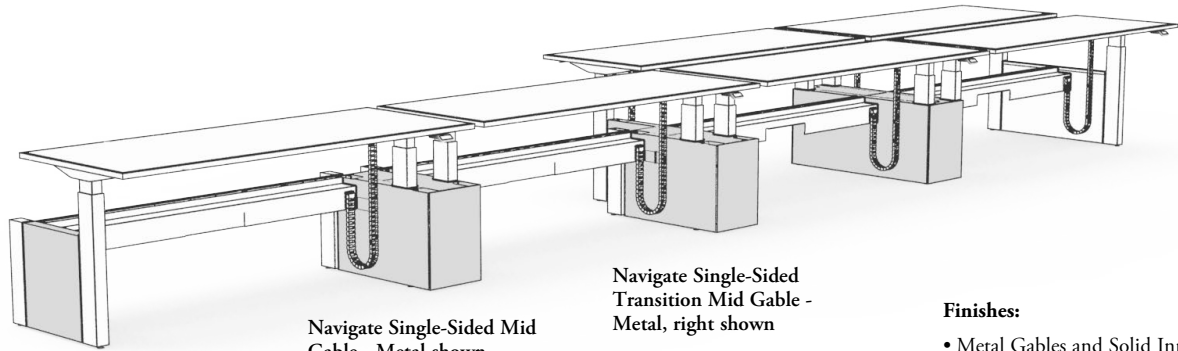


Navigate End Gable - Solid (HNBCGESN)

- Conceals the end leg brace and extends to the floor in rectangular and 120 frame applications

mid & end gables basics (continued)

Mid and End Gables are available to conceal the end and mid leg braces and extend to the floor.



Navigate Single-Sided End Gable - Metal shown

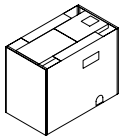
Navigate Single-Sided Mid Gable - Metal shown

Navigate Single-Sided Transition Mid Gable - Metal, right shown

Finishes:

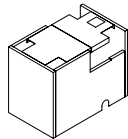
- Metal Gables and Solid Inner Gables:
 - Foundation
 - Mica
 - Accent
- Solid Outer Gables:
 - Source Laminate
 - Flintwood
 - Natural Veneer

- Depths:
 - 48", 60" and 72" to match frame sizes



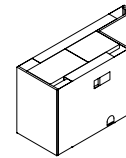
Navigate Single-Sided Mid Gable - Metal (HNBCGMMS)

- Attaches to the Navigate Single-Sided Frame and the Navigate Height-Adjustable Bench Frame or 120 Frame leg braces in the mid locations in a run
- Power pole option is available
- Base feed option is available



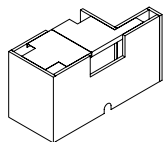
Navigate Single-Sided Mid Gable - Solid (HNBCGMSS)

- Attaches to the Navigate Single-Sided Frame and the Navigate Height-Adjustable Bench Frame or 120 Frame leg braces in the mid locations in a run
- Power pole option is available
- Base feed option is available



Navigate Single-Sided Transition Mid Gable - Metal (HNBCGMMR)

- Attaches to the Navigate Single-Sided Frame and the Navigate Height-Adjustable Bench Frame or 120 Frame leg braces in the mid locations in a run
- Base feed option is available
- Left or right handed option is available



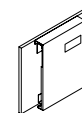
Navigate Single-Sided Transition Mid Gable - Solid (HNBCGMSR)

- Attaches to the Navigate Single-Sided Frame and the Navigate Height-Adjustable Bench Frame or 120 Frame leg braces in the mid locations in a run
- Base feed option is available
- Left or right handed option is available



Navigate Single-Sided End Gable - Metal (HNBCGEMS)

- Attaches to the Navigate Single-Sided Frame leg brace



Navigate Single-Sided End Gable - Solid (HNBCGESS)

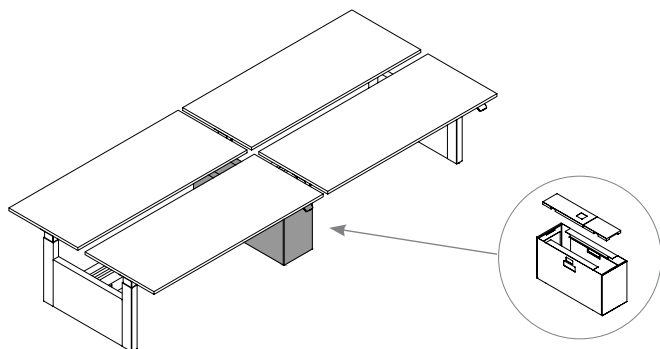
- Attaches to the Navigate Single-Sided Frame leg brace

planning with mid & end gables

The following should be considered when planning with Mid & End Gables.

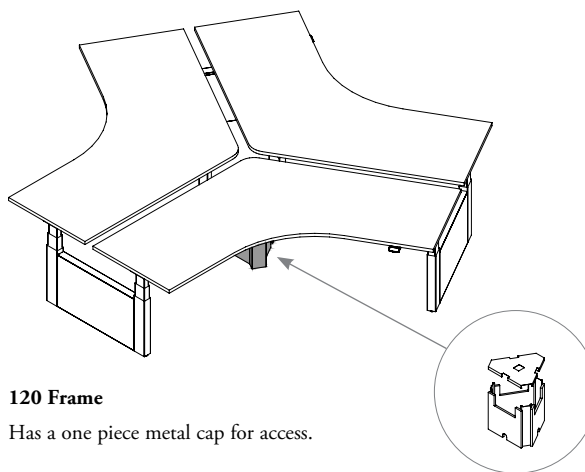
mid gables

Solid and Metal mid gables wrap around the frame to conceal the legs.



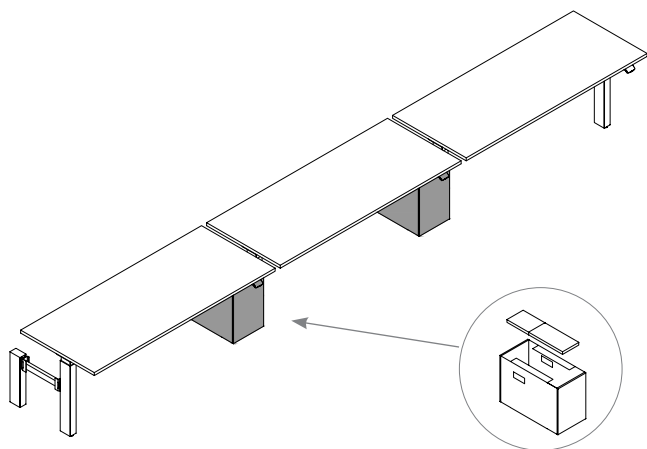
Rectangular Frame

Has a two piece metal cap for access.



120 Frame

Has a one piece metal cap for access.



Single-Sided Frame

Has a two piece metal cap for access.

planning with mid & end gables (continued)

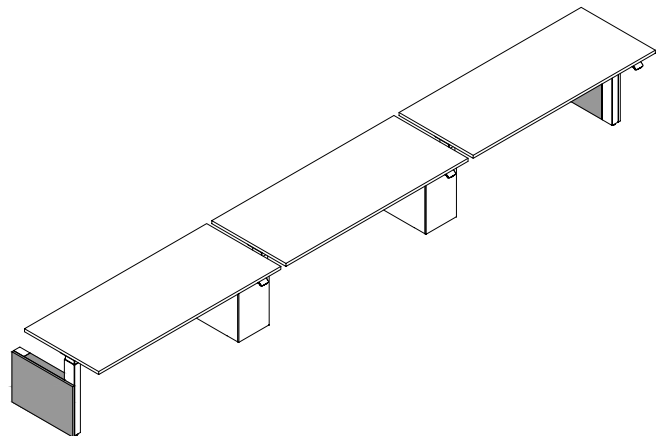
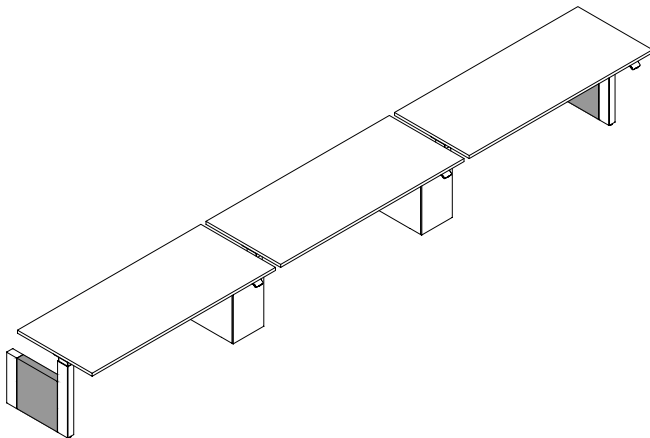
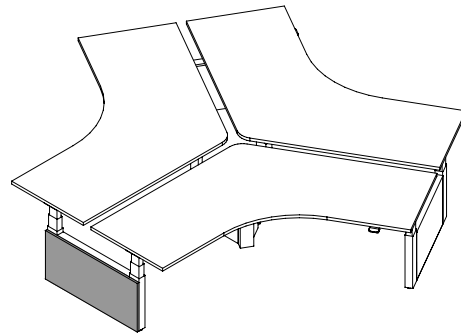
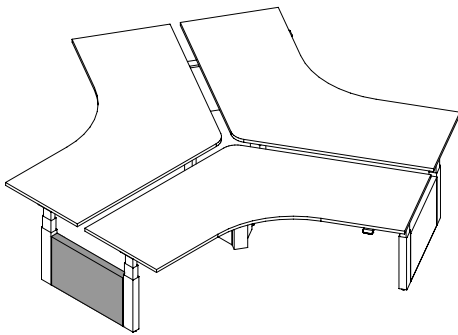
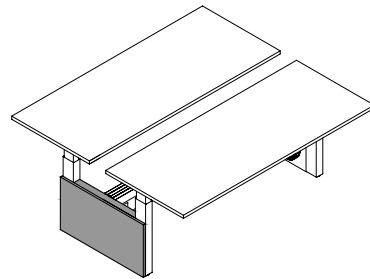
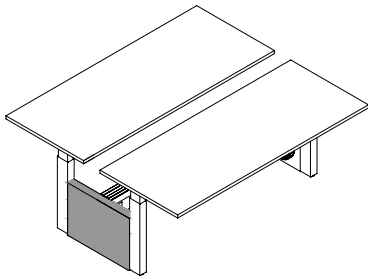
end gables

Metal

The Metal End Gable is an infill that aligns with the legs of the frame.

Solid

The Solid End Gable is outward facing only and does **not** wrap around the legs of the frame. The leg brace is covered with a metal infill to the floor.

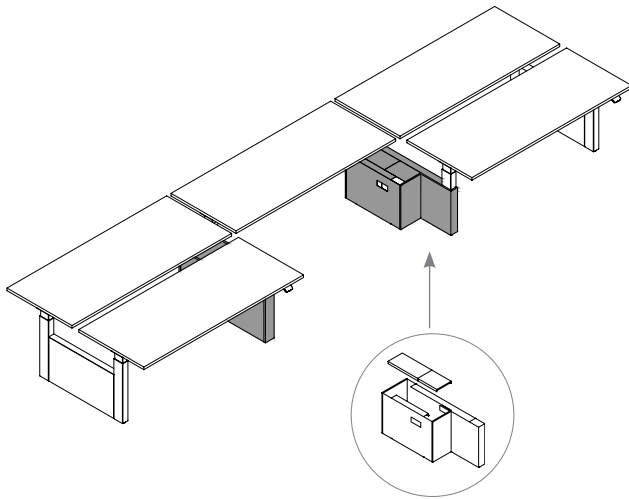


planning with mid & end gables (continued)

transition gables

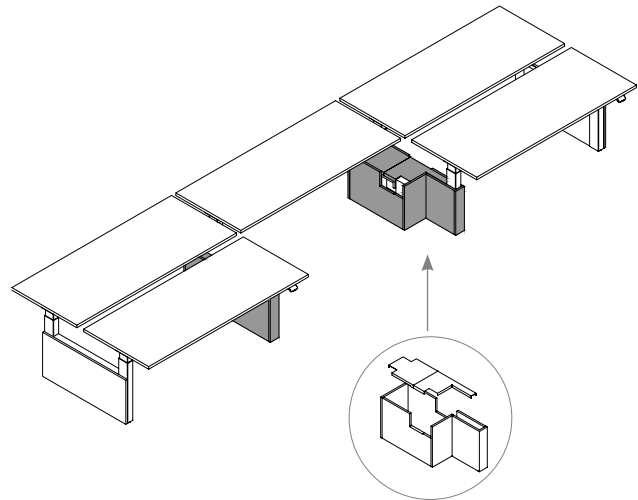
Metal

The Transition Gable - Metal is an infill that aligns with the legs of the Rectangular Frame and Single-Sided Frame.

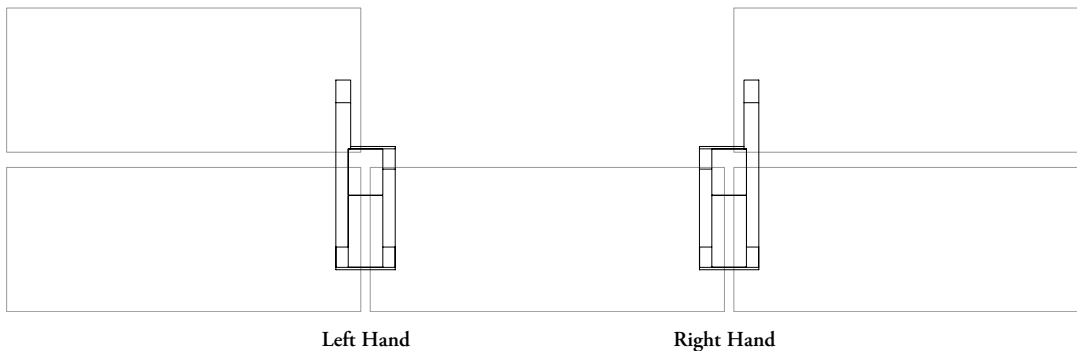


Solid

The Transition Gable - Solid is an infill that aligns with the legs of the Rectangular Frame and Single-Sided Frame.

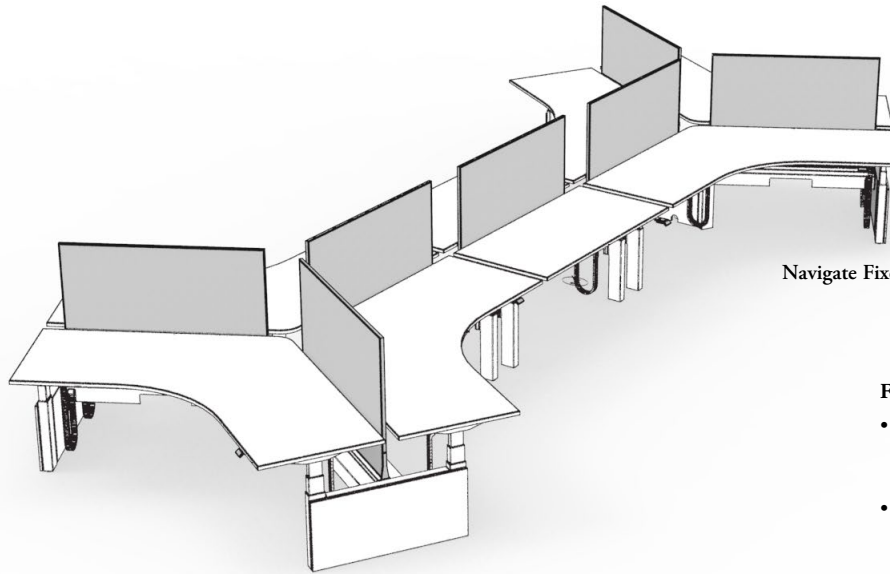


Transition gables are handed.



fixed center screen basics

Fixed Center Screens mount to the accessory beam of the Navigate Height-Adjustable Bench to provide privacy between users.

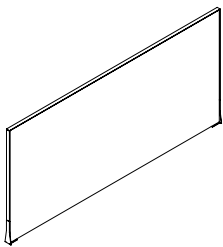


Navigate Fixed Center Screen - Fabric shown

- Used with worksurfaces that provide a 3" gap
- Heights:
 - 33" to achieve a 51" height datum

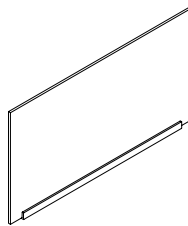
Finishes:

- Fabric:
 - Panel Fabrics Gr. A, 1-5 COM
 - Upholstery Fabrics Gr. 1-10 COM
- Solid:
 - Source Laminate
 - Flintwood
 - Natural Veneer
- Glass:
 - Clear
 - Frost
- Trim bracket:
 - Foundation
 - Mica
 - Accent



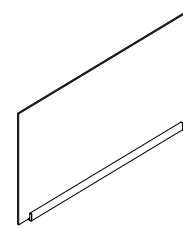
Navigate Fixed Center Screen - Fabric (HNBCFF)

- Mounts to the accessory beam to provide solid privacy between users with a softer fabric aesthetic
- Available for inset applications
 - Inset Screen:
 - 12" narrower than the nominal dimension, providing a 6" inset on each side
- Widths:
 - 46" to 82" widths in 6" increments
- Glass thickness:
 - 10mm



Navigate Fixed Center Screen - Solid (HNBCFS)

- Mounts to the accessory beam to provide solid privacy between users
- Available for full width or inset applications
 - Inset Screen:
 - 12" narrower than the nominal dimension, providing a 6" inset on each side
 - Full Screen:
 - 4" narrower than the nominal dimension, providing a 2" inset on each side
- Widths:
 - 46" to 94" widths in 6" increments

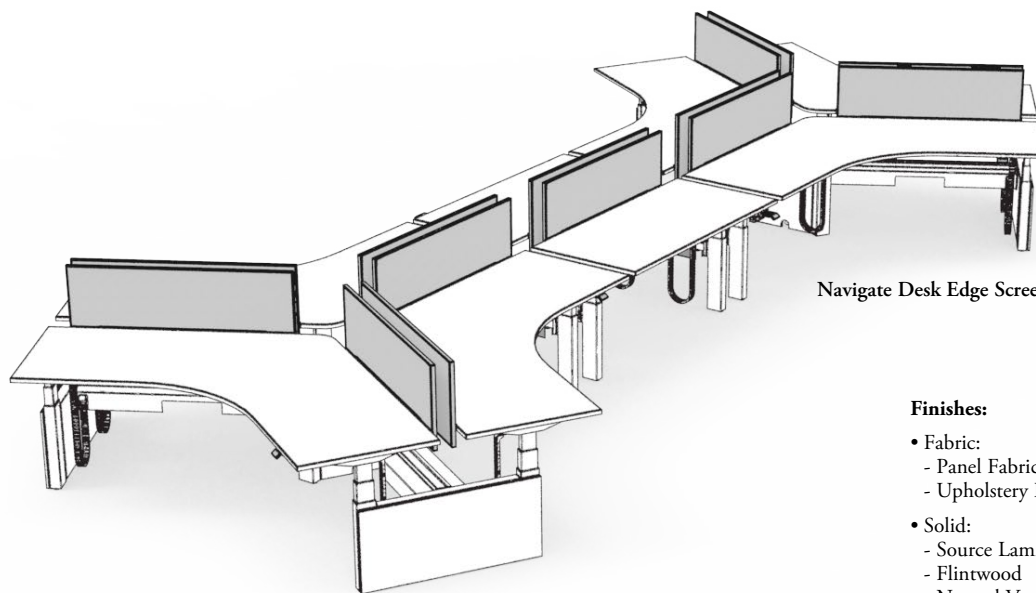


Navigate Fixed Center Screen - Glass (HNBCFG)

- Mounts to the accessory beam to provide translucent privacy between users
- Available for full width or inset applications
 - Inset Screen:
 - 12" narrower than the nominal dimension, providing a 6" inset on each side
 - Full Screen:
 - 4" narrower than the nominal dimension, providing a 2" inset on each side
- Widths:
 - 46" to 82" widths in 6" increments
- Glass thickness:
 - 10mm

desk edge screen basics

Desk Edge Screens mount to the Navigate Rectangular Worksurfaces to provide privacy between users and moves with the worksurfaces as the height changes.

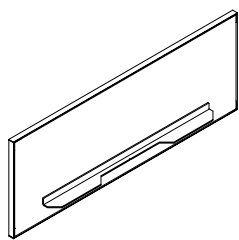


Navigate Desk Edge Screen - Fabric shown

- Used with worksurfaces that provide 5" gap
- Heights:
 - 13" and 22" to achieve 42" and 51" datum

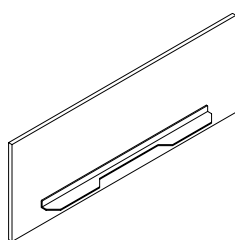
Finishes:

- Fabric:
 - Panel Fabrics Gr. 1-5 COM
 - Upholstery Fabrics Gr. 1-10 COM
- Solid:
 - Source Laminate
 - Flintwood
 - Natural Veneer
- Glass:
 - Clear
 - Frost
- Trim bracket:
 - Foundation
 - Mica
 - Accent



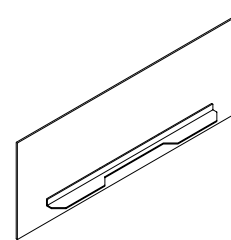
Navigate Desk Edge Screen - Fabric (HNBCDF)

- Widths:
 - 46" to 82" in 6" increments



Navigate Desk Edge Screen - Solid (HNBCDS)

- Widths:
 - 46" to 94" in 6" increments



Navigate Desk Edge Screen - Glass (HNBCDG)

- Widths:
 - 46" to 82" in 6" increments
- Available in 6mm or 10mm thicknesses

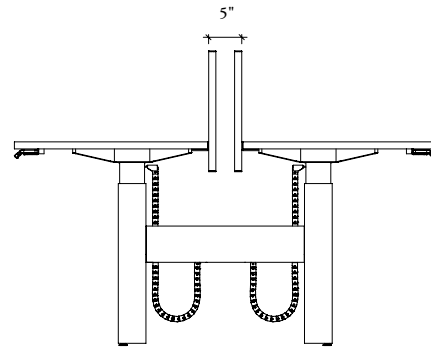
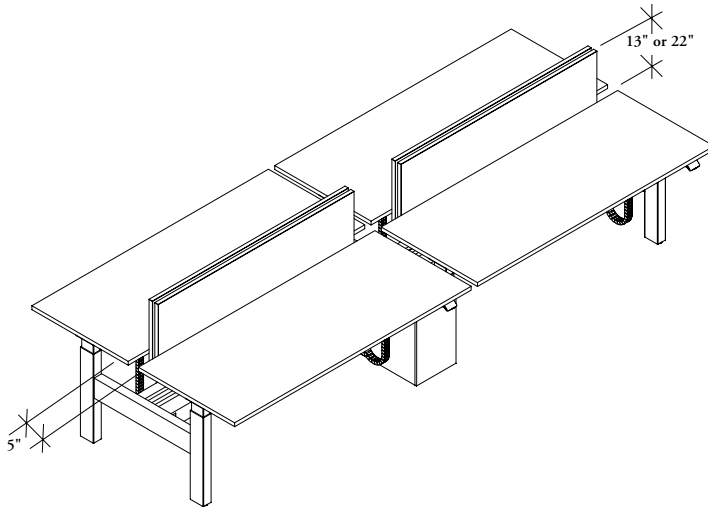
planning with fixed & desk edge screens

The following should be considered when planning with fixed and desk edge screens.

Screens extend 3 1/2" below the worksurface.

Two screen heights available to provide the most user privacy when worksurfaces are at different heights:

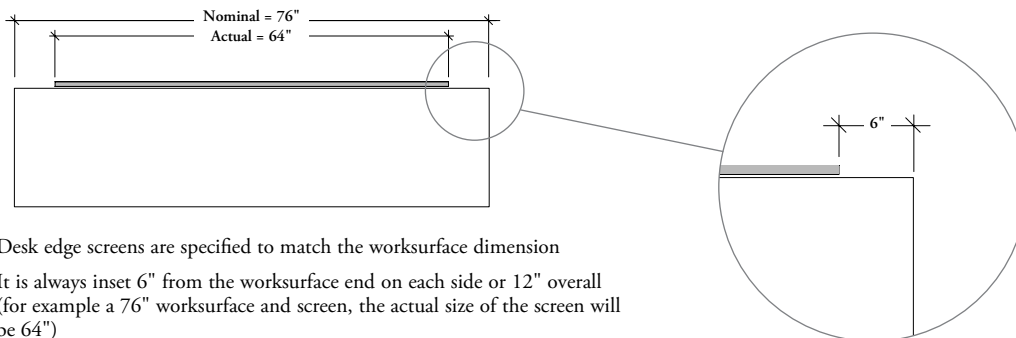
- 13" height, which is best suited for Standard Range frames
- 22" height, which is best suited for Extended Range Frames



- The Desk Edge Screen is mounted flush to the rear edge of the worksurface
- Pass through grommets will be required for wires to be routed below the worksurface

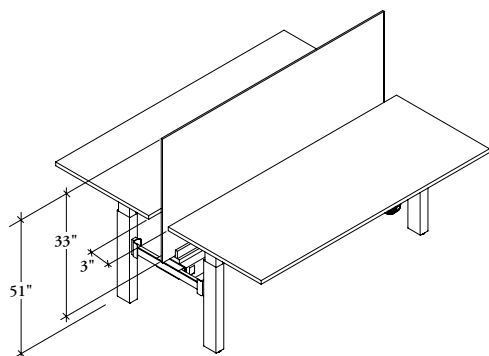
Desk Edge Screens are used with worksurfaces that provide a 5" gap. They will not fit with only a 3" gap.

When specifying the Desk Edge Screen it is important to consider the nominal vs. actual sizing.

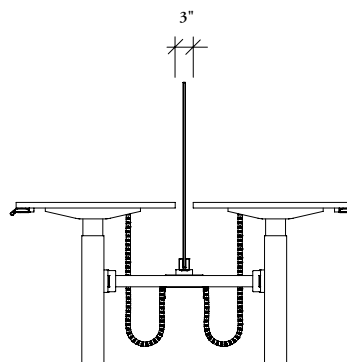


- Desk edge screens are specified to match the worksurface dimension
- It is always inset 6" from the worksurface end on each side or 12" overall (for example a 76" worksurface and screen, the actual size of the screen will be 64")

planning with fixed & desk edge screens (continued)

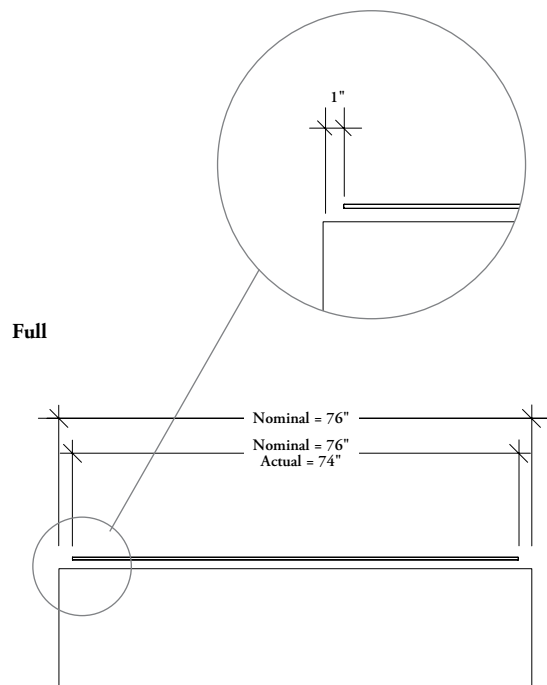


The Fixed Center Screen is 33" h and has an overall 51" h datum height. Must be used with worksurfaces with a 3" gap.

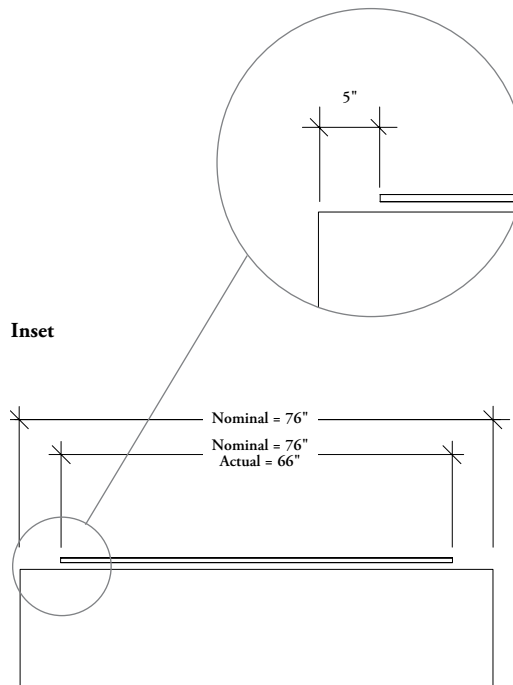


Fixed Center Screens are used with worksurfaces that provide a 3" gap.

When specifying the Fixed Center Screen it is important to consider the nominal vs. actual sizing.



- Fixed Center Screens are specified to match the work surface dimensions
- It is always inset 1" from the work surface end on each side or 2" overall (for example a 76" work surface and screen, the actual size of the screen will be 74")



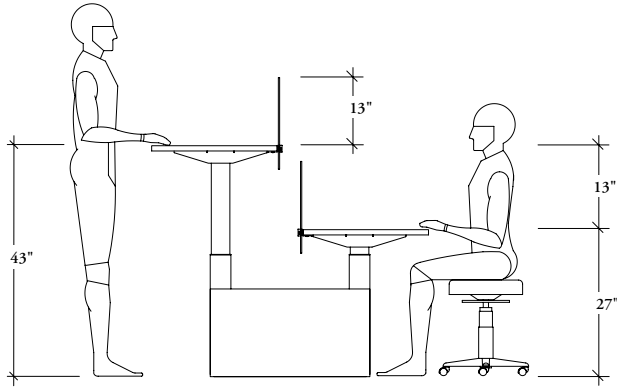
- Fixed Center Screens are specified to match the work surface dimensions
- It is always inset 5" from the work surface end on each side or 10" overall (for example a 76" work surface and screen, the actual size of the screen will be 66")

planning with fixed & desk edge screens (continued)

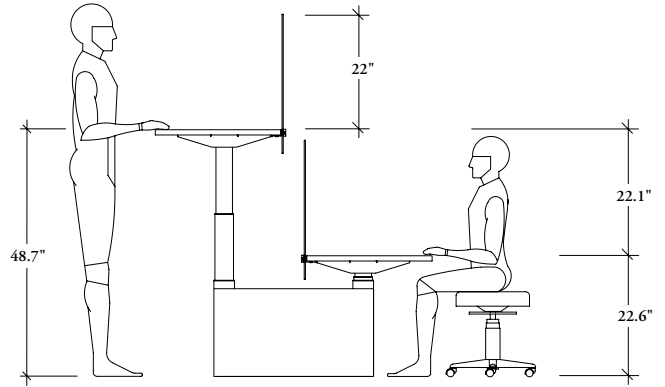
The two heights of desk edge screens allows for various levels of privacy between face to face users.

- The 13" height screen provides seated privacy, but not standing privacy
- The 22" height screen provides sitting and standing privacy
- The screens are sized to provide full privacy at desk height when one table is at its full height and the other at its lowest height

Standard



Extended



Fixed Screens and Desk Edge Screens have nominal dimensions. The following outlines the actual dimensions.

Desk Edge Screens

Nominal Widths	Actual Widths
46	34
52	40
58	46
64	52
70	58
76	64
82	70
88 Solid Only	76
94 Solid Only	82

Fixed Center Screens - Inset

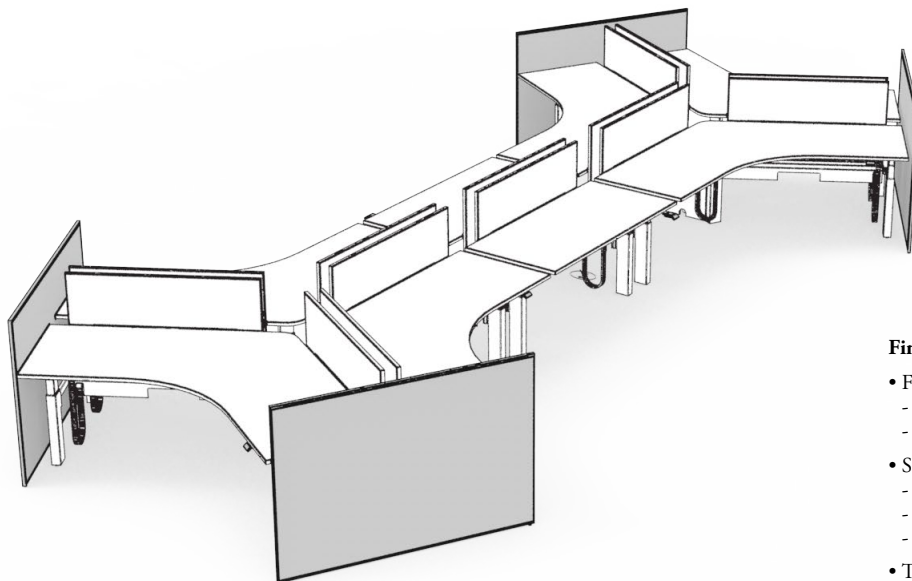
Nominal Widths	Actual Widths
46	36
52	42
58	48
64	54
70	60
76	66
82	72
88 Solid Only	78
94 Solid Only	84

Fixed Inset Screens - Full

Nominal Widths	Actual Widths
46	44
52	50
58	56
64	62
70	68
76	74
82	80
88 Solid Only	86
94 Solid Only	92

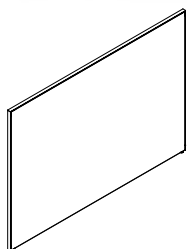
end of run screen basics

Fabric Navigate End of Run Screens mount to the end of any bench to create a complete sense of privacy.



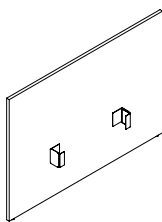
Finishes:

- Fabric:
 - Panel Fabrics Gr. A, 1-5 COM
 - Upholstery Fabrics Gr. 1-10 COM
- Solid:
 - Source Laminate
 - Flintwood
 - Natural Veneer
- Trim bracket:
 - Foundation
 - Mica
 - Accent
- Gable and Cover:
 - Foundation
 - Mica
 - Accent



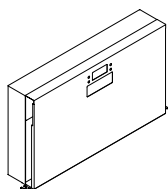
Navigate End of Run Screen - Fabric (HNBTEF)

- Heights:
 - 42" and 51"
- Widths:
 - 48", 60" and 72"



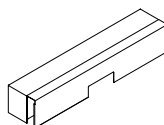
Navigate End of Run Screen - Solid (HNBTES)

- Heights:
 - 29", 42" and 51"
- Widths:
 - 48", 60" and 72"



Navigate End Screen Gable - Metal (HNBCGSMN)

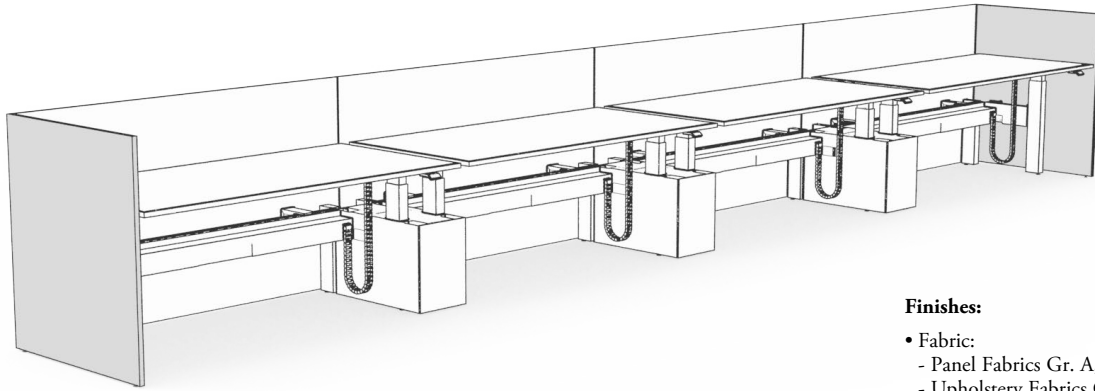
- Conceals the end leg brace and extends to the floor in rectangular and 120 frame applications to attach to the End of Run Screen to the frame
- Depths:
 - 48", 60" and 72"



Navigate End Screen Cover - Metal (HNBCCSMN)

- Conceals the leg brace in rectangular and 120 frame applications to attach the End of Run Screen to the frame
- Depths:
 - 48", 60" and 72"

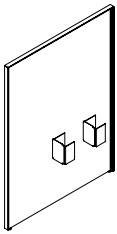
end of run screen basics (continued)



- Heights:
- 42" and 51"
- Widths:
- 24" and 30"

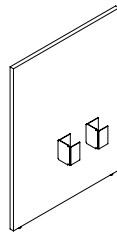
Finishes:

- Fabric:
- Panel Fabrics Gr. A, 1-5 COM
- Upholstery Fabrics Gr. 1-10 COM
- Trim bracket:
- Foundation
- Mica
- Accent
- Gable and Cover:
- Foundation
- Mica
- Accent



Navigate Single-Sided End of Run Screen - Fabric (HNBTSF)

- Left Hand or Right Hand



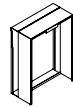
Navigate Single-Sided End of Run Screen - Solid (HNBTSS)

- Left Hand or Right Hand



Navigate Single-Sided End Screen Cover - Metal (HNBCCSMS)

- Conceals the leg brace in rectangular single-sided applications to attach the End of Run Screen to the frame
- Depths:
- 24" and 30"



Navigate Single-Sided End Screen Gable - Metal (HNBCGMS)

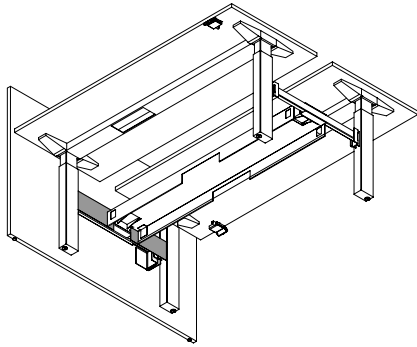
- Conceals the end leg brace and extends to the floor in rectangular single-sided applications to attach to the End of Run Screen to the frame
- Depths:
- 24" and 30"

planning with end of run screens

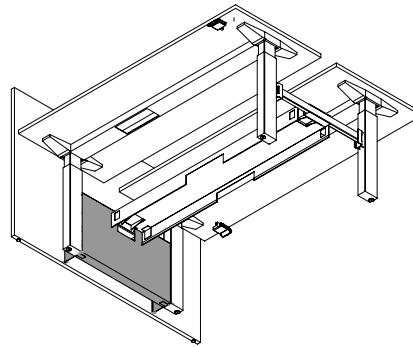
The following should be considered when planning with end of run screens.

Screens must be specified with one of the following covers:

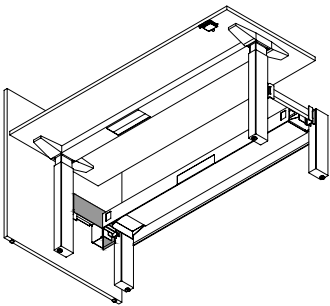
- End Screen Cover (HNBCCSMN)
- End Screen Gable (HNBCGSMN)



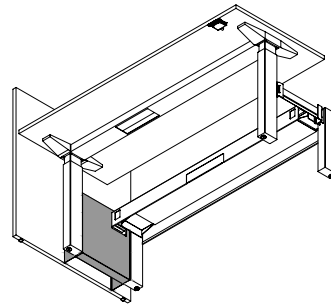
End of Run Screen with a End Screen Cover (HNBCCSMN)



End of Run Screen with a End Screen Gable (HNBCGSMN)

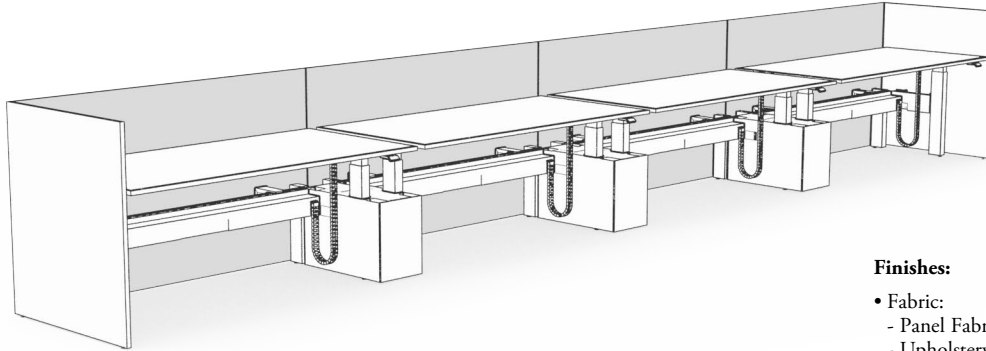


End of Run Screen with a Single-Sided End Screen Cover (HNBCCSMS)



End of Run Screen with a Single-Sided End Screen Gable (HNBCGSMS)

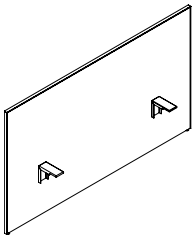
corridor screen basics



- Heights:
 - 42" and 51"
- Widths:
 - 48" - 96" in 6" increments

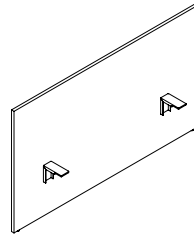
Finishes:

- Fabric:
 - Panel Fabrics Gr A, 1-5 COM
 - Upholstery Fabrics r 1-10 COM
- Solid:
 - Source Laminate
 - Flintwood
 - Natural Veneer
- Trim bracket:
 - Foundation
 - Mica
 - Accent
- Gable and Cover:
 - Foundation
 - Mica
 - Accent



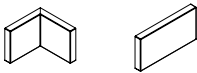
Navigate Single-Sided Corridor Screen - Fabric (HNBLSF)

- Left Hand or Right Hand



Navigate Single-Sided Corridor Screen - Solid (HNBLSS)

- Left Hand or Right Hand



090

180

Navigate Single-Sided Screen Connection Bracket – Solid (HNBLBS)

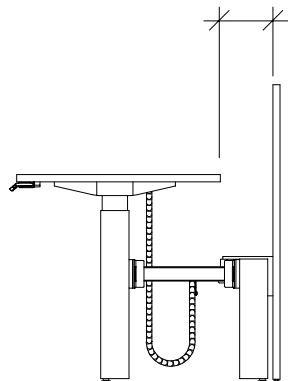
planning with corridor screens

The following should be considered when planning with corridor screens.

When planning with a Single-Sided Corridor Screen (HNBLS) and a Single-Sided Rectangular Worksurface (HNBWR), there will be a gap between the back edge of the worksurface and screen. To close the gap, specify an Extended Single-Sided Rectangular Worksurface (HNBWES).

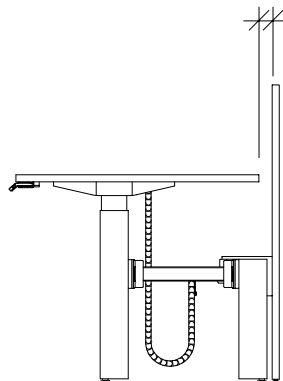
- For a 24" Single-Sided Frame, specify a 28"d Extended Single-Sided Worksurface
- For a 30" Single-Sided Frame, specify a 34"d Extended Single-Sided Worksurface
- Extended Single-Sided Worksurfaces **cannot** be planned with any screen

7-1/2" for a 22" and 28" deep worksurface
8-1/2" for a 23" and 29" deep worksurface

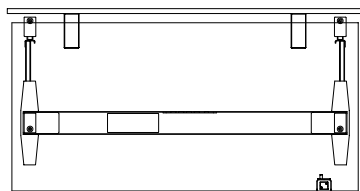


Single-Sided Corridor Screen (HNBLS) and Single-Sided Rectangular Worksurface (HNBWR)

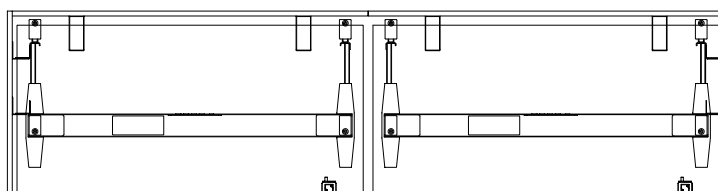
2"



Single-Sided Corridor Screen (HNBLS) and Extended Single-Sided Rectangular Worksurface (HNBWE)



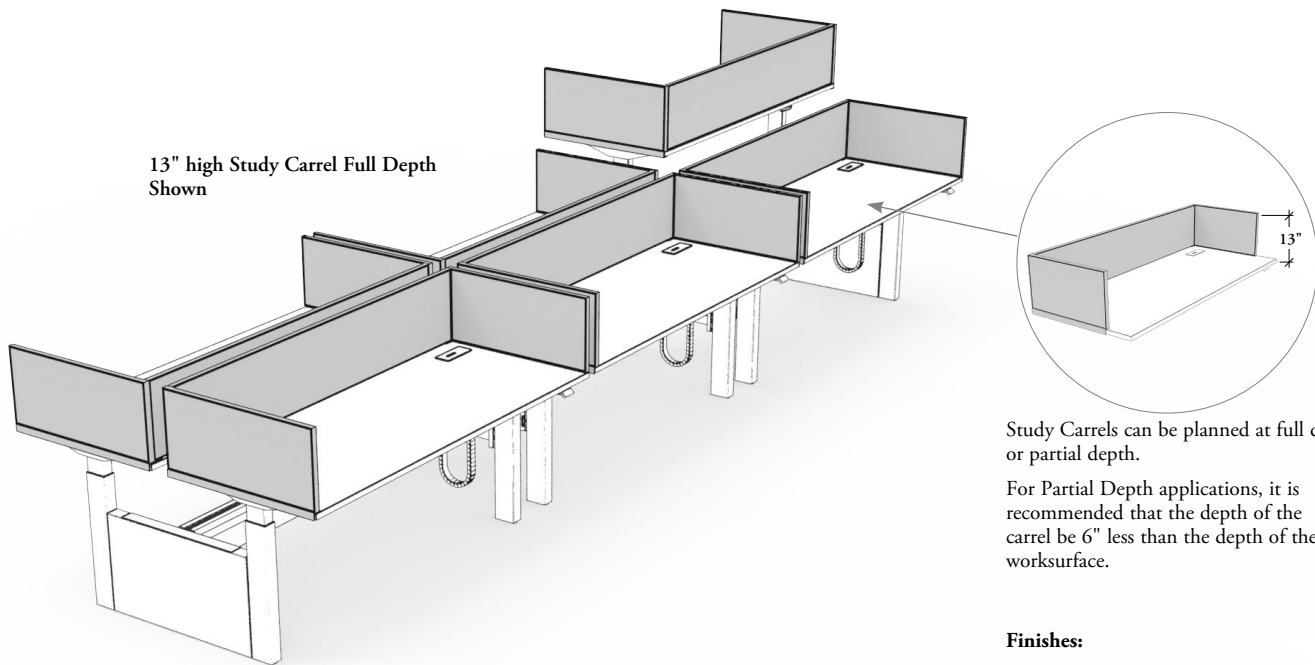
Single-Sided Corridor Screens (HNBLS) extend 1" from the end of each side of the worksurface.



Single-Sided End of Run Screens (HNBTS) can be specified with Single-Sided Corridor Screens (HNBLS) to create a closed corner.

study carrel screen basics

The HAB Study Carrel Screen provides privacy for users and a distraction free environment.

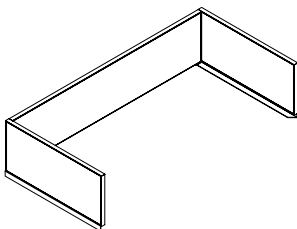


Study Carrels can be planned at full depth or partial depth.

For Partial Depth applications, it is recommended that the depth of the carrel be 6" less than the depth of the worksurface.

Finishes:

- Fabric:
 - Panel Fabrics Gr. A, 1-5 COM
 - Upholstery Fabrics Gr. 1-10 COM
- Hardware:
 - Foundation
 - Mica
 - Accent

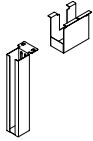


HAB Study Carrel Screen (GYKB)

- Study Carrels are complete screens that sit on top of a worksurface to create privacy on three sides and raise with the worksurface
- Heights when mounted to a 29" height Worksurface:
 - 13" (for a 42" datum height)
 - 22" (for a 51" datum height)
- Widths:
 - 48" to 84" in 6" increments
- Depths:
 - 18", 24", 30" and 36"
- Can be used full depth or partial depth
- Study Carrels cannot be used on radius corner worksurfaces
- Power Access:
 - Cables cannot pass between the worksurface and study carrel, a grommet is required in the worksurface to route cables below
- Edge Trim Mounting Styles:
 - Study Carrel Screens are complete with a bracket for mounting to worksurfaces with the following trim styles:
 - Straight
 - Flat
 - Full Knife
- It is recommended that:
 - Full depth carrels be used with the flat and knife edge
 - Partial depth carrels can be used with all edge styles

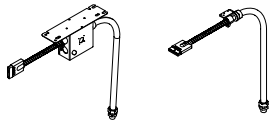
power pole and base feed basics

Power and Data enter Navigate Height-Adjustable Bench from the floor with a Base Feed or from the ceiling through a Power Pole and Ceiling Feed.



Navigate Base Feed Cover (HNBEBC)

- Used to cover the base feed while routing power and data cables into a workstation from the floor
- Finishes:
 - Foundation
 - Mica
 - Accent



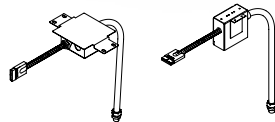
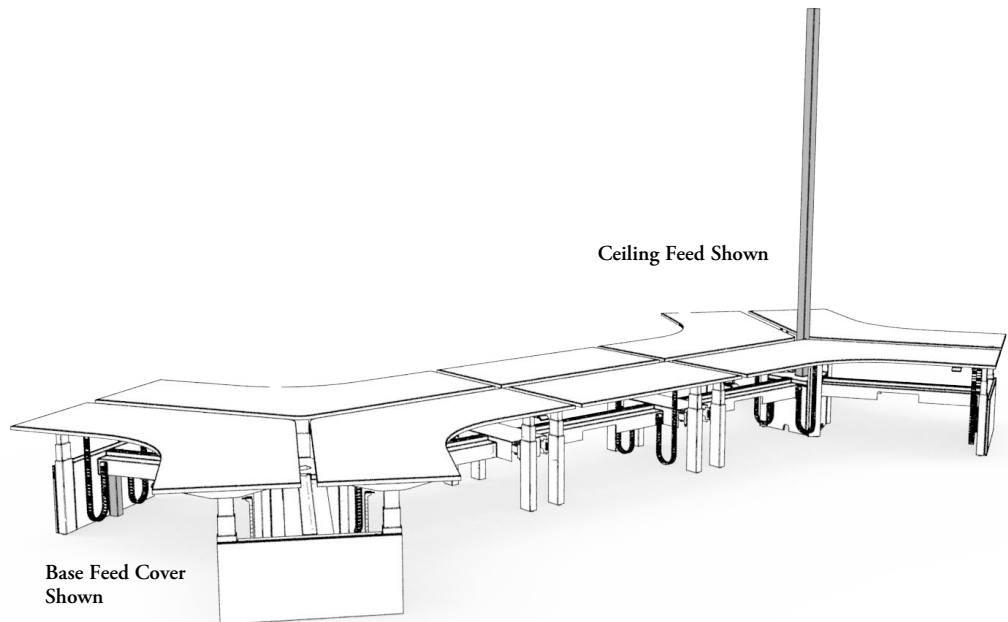
Navigate Base Feed (HNBEBF)

- Provides routing for power from the floor to a Power Module through the Wire Channel
- Lengths:
 - 72" and 144"
- Available in two styles:
 - End condition for End Cover of a bench
 - Mid Condition for Mid Cover of a bench
- Wire systems include:
 - 8-Wire Isolated Ground (8T)
 - 8-Wire Dual Isolated (8K)
 - 7-Wire Non Isolated Ground (7T)
 - 7-Wire Dual Non Isolated (7K)



Navigate Ceiling Feed (HNBECF)

- Routes power from the ceiling to the workstations through power pole
- Lengths:
 - 120" and 144"
- Wire systems include:
 - 8-Wire Isolated Ground (8T)
 - 8-Wire Dual Isolated (8K)
 - 7-Wire Non Isolated Ground (7T)
 - 7-Wire Dual Non Isolated (7K)
- Includes PVC free option if specified



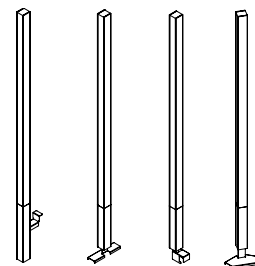
Navigate Split Base Feed (HNBEBFS)

- Provides routings for power from the floor to a Power Module with a Wire Channel and is wired into the building power source in two locations for New York City wiring restrictions
- Lengths:
 - 18" and 72"
- Available in two styles:
 - End condition for End cover of a bench
 - Mid Condition for Mid Cover of a bench
- Wire systems include:
 - 8-Wire Isolated Ground (8T)
 - 8-Wire Dual Isolated (8K)
 - 7-Wire Non Isolated Ground (7T)
 - 7-Wire Dual Non Isolated (7K)
- Includes PVC free option if specified



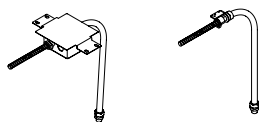
Navigate Chicago Ceiling Feed (HNBEFCFH)

- Required for city of Chicago electrical code requirements
- Lengths:
 - 120" and 144"



Navigate Power Pole (HNBEPP)

- Routes a ceiling feed and data cables from the ceiling to the workstation
- Heights:
 - 96" and 120"
- Available in three styles:
 - End condition
 - Mid Condition-Standard
 - Mid Condition-120
 - Mid Condition-Single-Sided
- Finishes:
 - Foundation
 - Mica
 - Accent



Navigate Chicago Base Feed (HNBEBFCH)

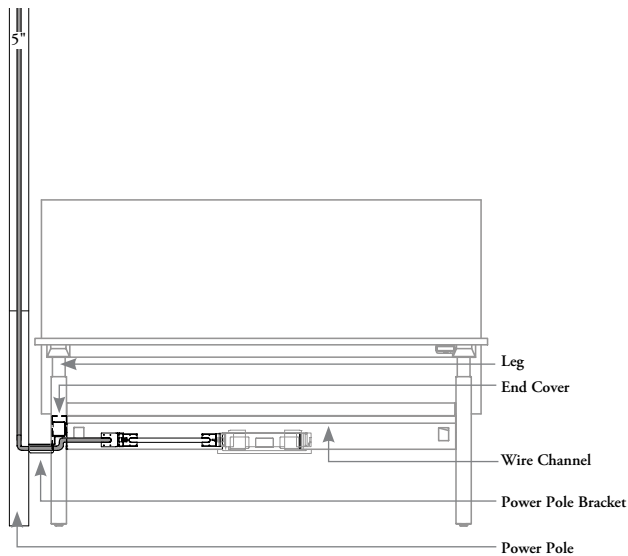
- Required for city of Chicago electrical code requirements
- Lengths:
 - 72" and 144"
- Available in two styles:
 - End condition for End cover of a bench
 - Mid Condition for Mid Cover of a bench

planning with power poles and ceiling feeds

The following should be considered when planning with Power Poles and Ceiling Feeds.

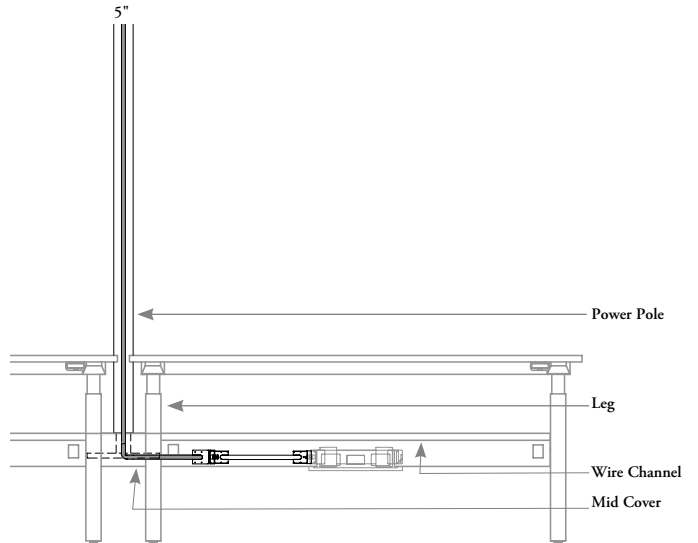
The Power Pole routes a Ceiling Feed and data cables from the ceiling to a power module.

navigate power pole, end condition



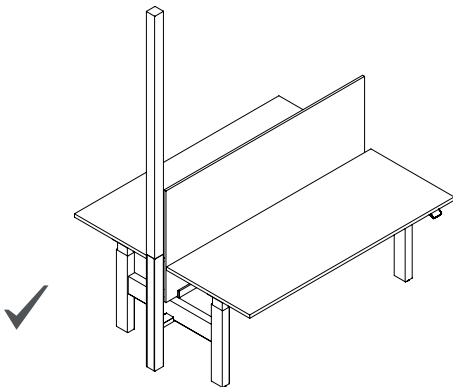
Power Poles attach to leg braces to allow power to be routed from the ceiling. The End Condition Power Pole will protrude 5" past the worksurface.

navigate power pole, mid condition-standard

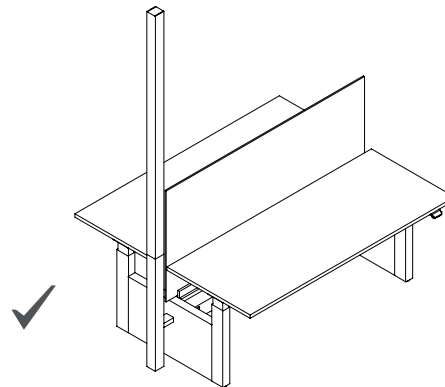


Power Poles attach to the Frame Link to allow power to be routed from the ceiling. When a power pole is used in a mid condition the Mid Cover must have the Power Pole provision. Worksurface must be specified with 5" gap on all sides of the Power Pole.

navigate power pole, end condition - dual-sided



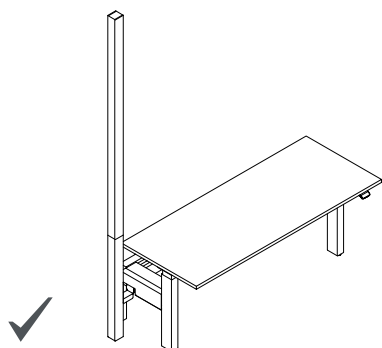
When specifying the End Condition Power Pole it can only be used with the Navigate End Cover - Metal.



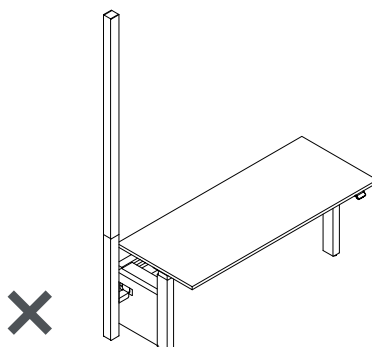
A power pole cannot be used in the end condition with a metal or solid end gable.

planning with power poles and ceiling feeds (continued)

navigate power pole, end condition - single-sided

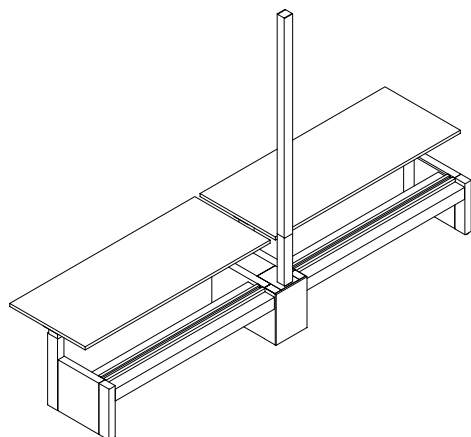


When specifying the End Condition Power Pole it can only be used with the Navigate Single-Sided End Cover - Metal.

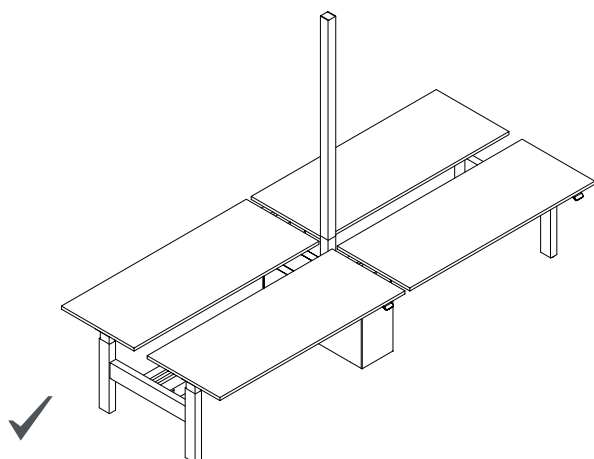


A power pole cannot be used in the end condition with a Metal or Solid Single-Sided End Gable.

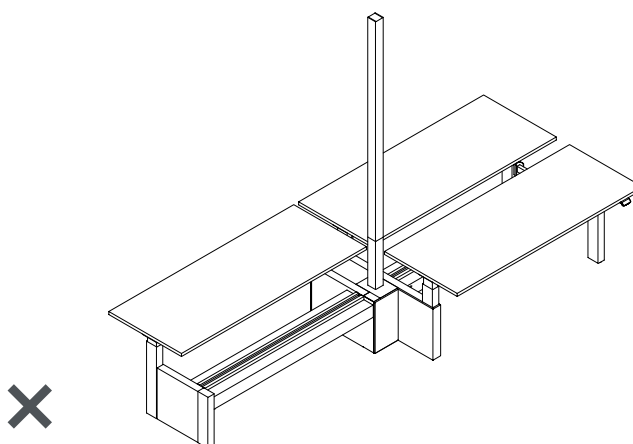
navigate power pole, mid condition - single-sided



Power Pole, Mid Condition - Single-Sided attaches to the Frame Link (HNBFN). Cannot be combined with Rectangular Extended Worksurfaces.



Power Pole, Mid Condition can be specified with a Navigate Mid-Gable, Mid Condition with Power Pole.

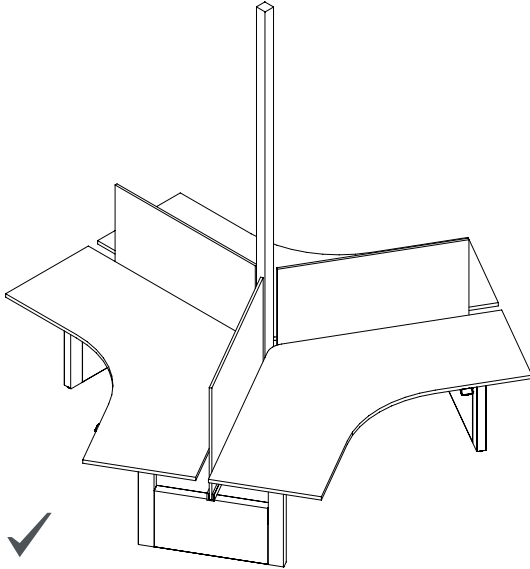


Power Pole, Mid Condition cannot be specified in a transitional application.

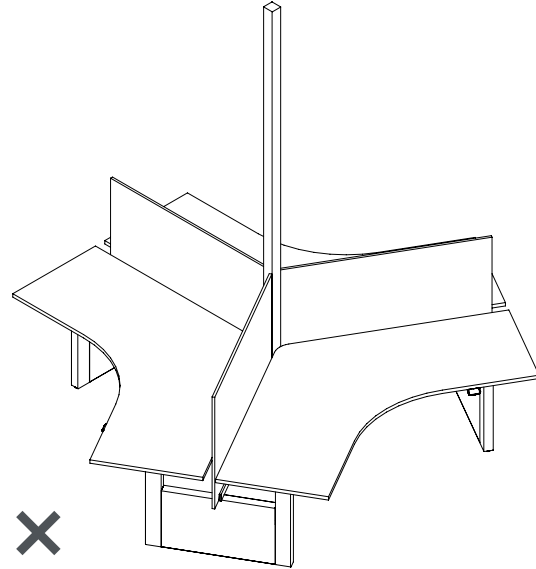
planning with power poles and ceiling feeds (continued)

power pole with fixed center screens

When using Fixed Center Screens (HNBC), inset option must be specified. Fixed Center Screens are available in fabric, glass and solid. Worksurfaces must have a 5" gap on all sides of the Power Pole.



Fixed Center Screens - Inset can only be specified with Navigate 120 Bench when there is a power pole.

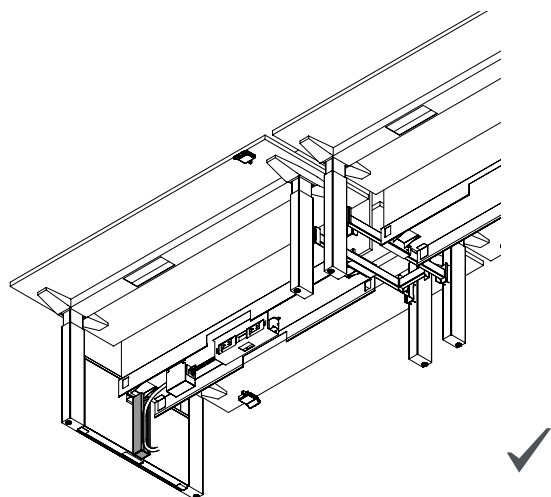


Fixed Center Screens - Full cannot be specified with Navigate 120 Bench if there is a power pole.

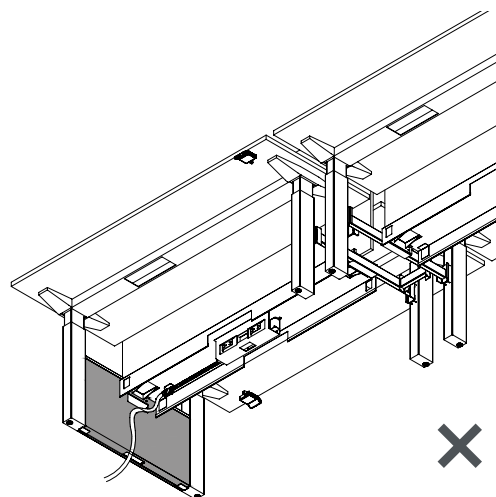
planning with base feeds

The following should be considered when planning with Base Feeds.

base feed with end gable



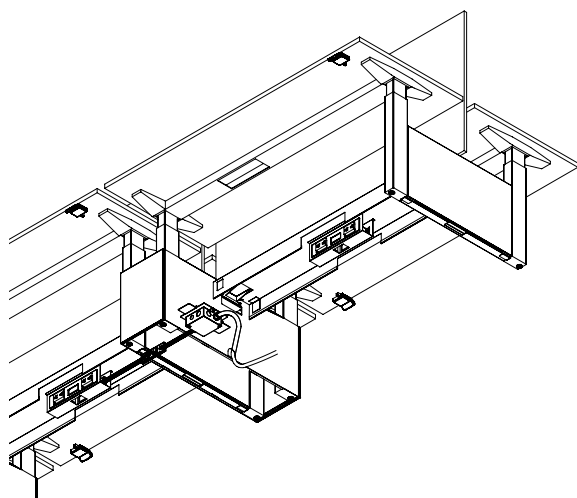
If power is required at the end of a run, a Base Feed Cover (HNBE) must be specified.



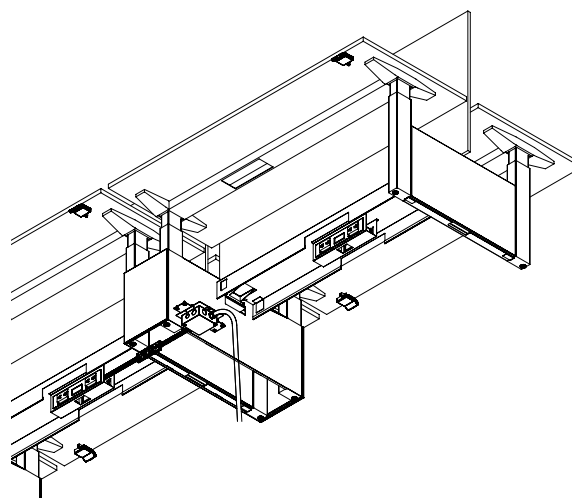
There is a no cut out in the base of an end gable to route a base feed from floor monument up through gable to wire channel.

base feed with mid gable

Navigate Mid Gables (HNBC) can be specified with or without a cut-out to accommodate a base feed.



If the floor monument is located outside of the Mid Gable, then the Mid Gable with Base Feed must be specified.

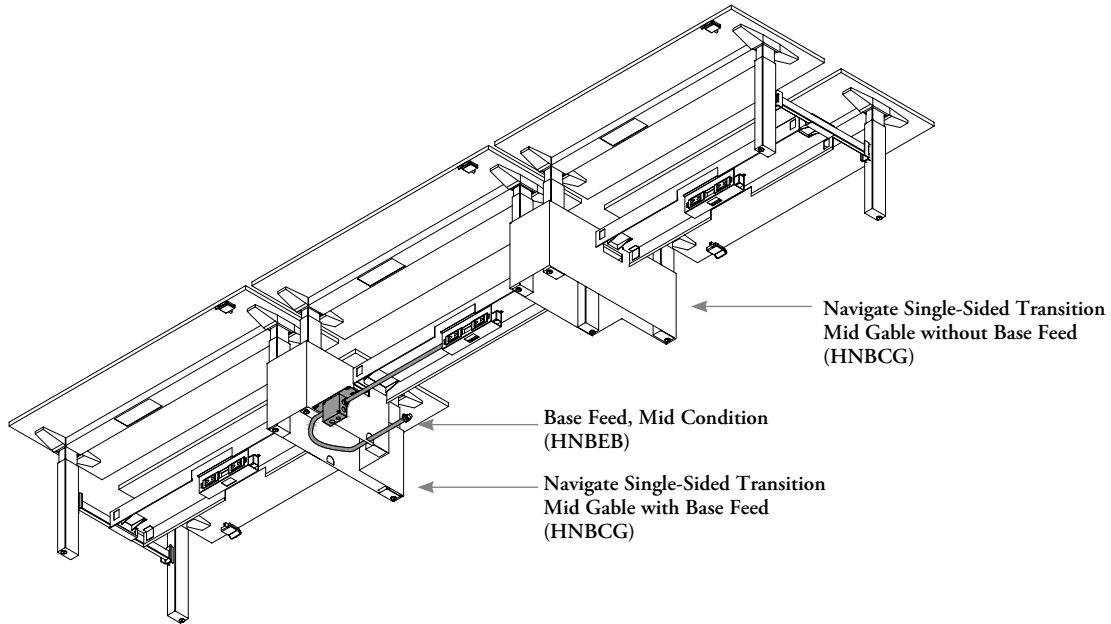


If the floor monument is located underneath the Mid Gable, then the Mid Gable without Base Feed must be specified.

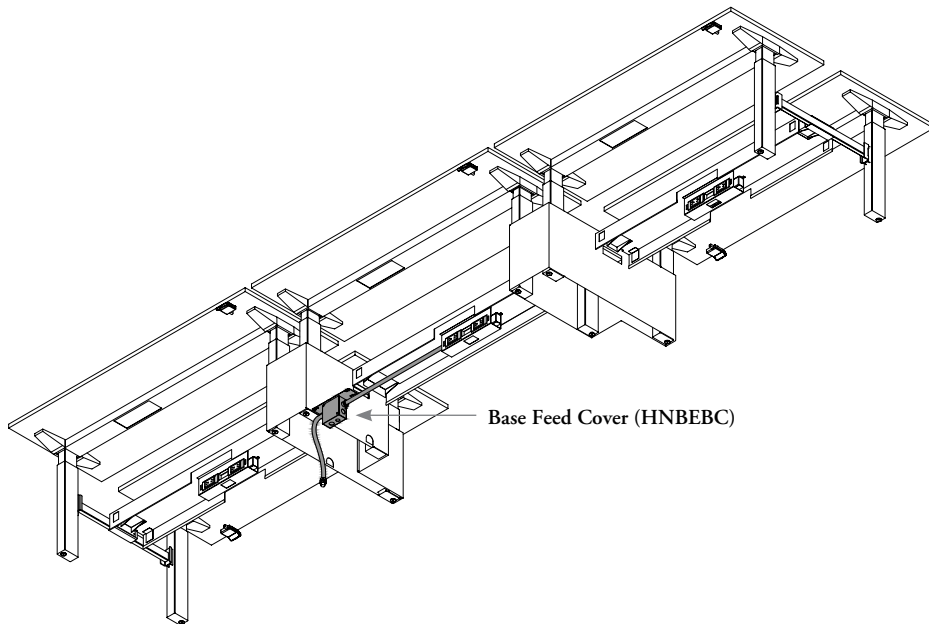
planning with base feeds (continued)

base feed with transition condition

Navigate Single Sided Transition Mid Gable (HNBCG) can be specified with or without a cut-out to accommodate a base feed.



A Base Feed, Mid Condition must be specified when there is a transition condition.

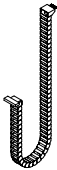
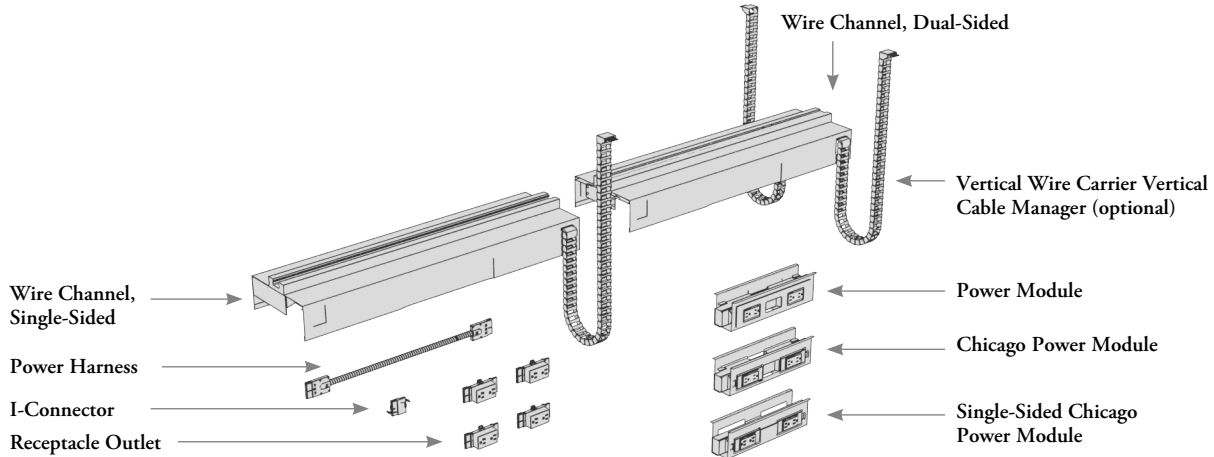


If the floor monument is not directly below the transition mid gable then a Base Feed Cover must be specified.

wire management basics

Navigate Height-Adjustable Bench provides a modular electrics option for power and data distribution.

The following outlines the basic components of modular electrics.



Navigate Vertical Wire Carrier Vertical Cable Manager (HNBEEE)

- Mounts to Navigate Wire Channel and transfers vertical cables to the worksurface integrated center channel
- Finishes:
 - Ebony Coordinate
 - Platinum Coordinate
 - Very White Coordinate



Navigate Power Module (HNBEPM)

- Mounts in the Wire Channel and accepts outlets for hardware electrics
- Includes module bezel
- Wire systems include:
 - 8-Wire Isolated Ground (7T compatible)
 - 8-Wire Dual Isolated (7K compatible)
- PVC free option available if specified



Navigate Chicago Power Module (HNBEPMCH)

- Required for city of Chicago electrical code requirements
- Standard 15 Amp, T-Slot 20 Amp, Controlled 15 Amp and Controlled 20 Amp available
- Bezel finished in Mica Platinum



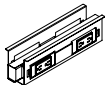
Navigate Receptacle Outlet (HNBERO)

- Mounts onto the Power Module to provide access to power
- Styles include:
 - Standard 15 amp
 - T-Slot 20 amp
 - USB 5 VDC 2.1 amp
 - Controlled 15 amp
 - Controlled 20 amp
- Outlet configurations consist of Circuit 1, Circuit 2, Circuit 3 (used with 8T only), Circuit 5, Circuit 6 (used with 8K only), Non IG Circuit (used with 7T and 7K only), Non IG Circuit (used with 7K only)
- Receptacle style D and E include a marking indicating it is connected to a control system
- Finished in Platinum



Navigate Power Harness (HNBEPH)

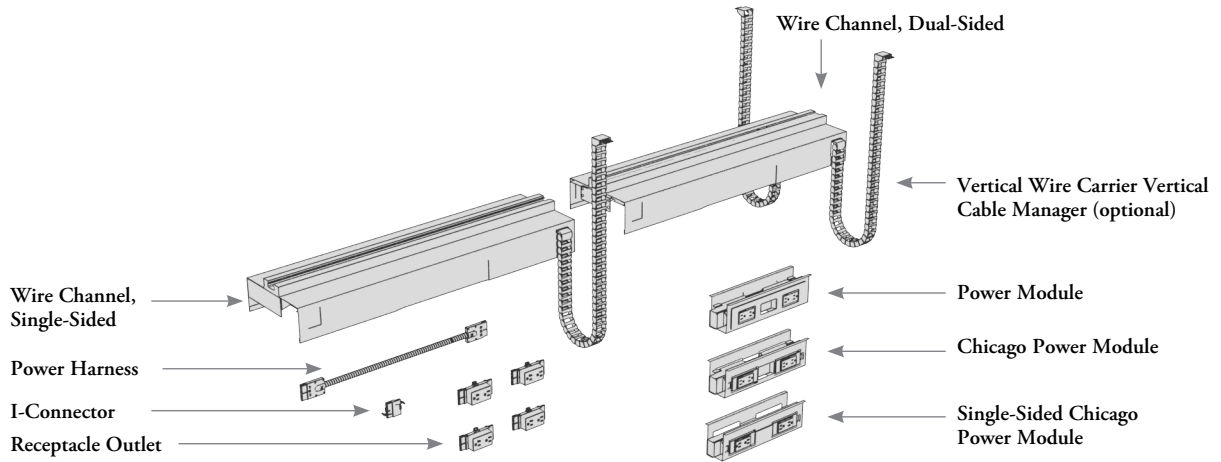
- Routes powers from one power module to another
- Lengths:
 - 48", 60", 72", 84", 96", 120" and 144"
- Wire systems include:
 - 8-Wire Isolated Ground (8T)
 - 8-Wire Dual Isolated (8K)



Navigate Single-Sided Chicago Power Module (HNBEPMSCH)

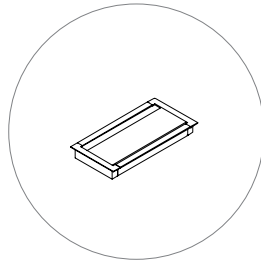
- Required for city of Chicago electrical code requirements
- Standard 15 Amp, T-Slot 20 Amp, Controlled 15 Amp and Controlled 20 Amp available
- Used for Single-Sided planning
- Bezel finished in Mica Platinum

wire management basics (continued)



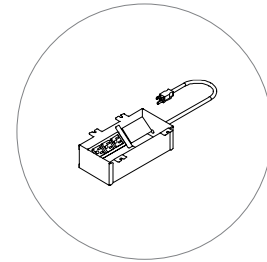
Navigate I-Connector (HNBEIC)

- Used to join two harnesses when a single harness is not long enough



Navigate Center Access Door (HNBECD)

- Allows users to access surface integrated outlets.
- Paired with a Navigate Rectangular Worksurface with Center Access Door cut out and a Navigate Surface Access Power Box to create a worksurface integrated user power solution
- Configuration:
 - 3 Power
 - 2 Power/1 USB-A/1 USB-C
- Power Cord Length:
 - 9' cord
 - 10' cord
 - 15' cord
- Country of Install:
 - Canada / USA Plug-In



Navigate Surface Access Power Box (HNBEAP)

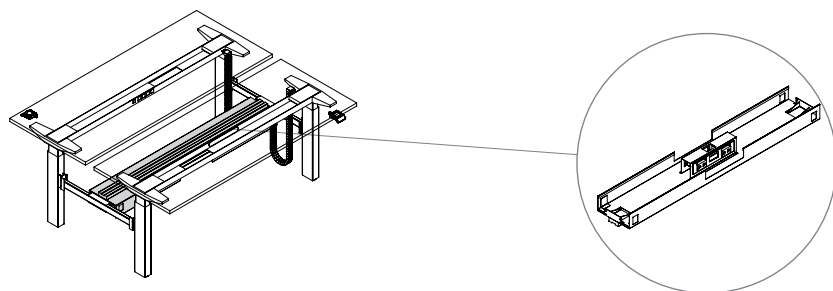
- Paired with a Navigate Rectangular Worksurface with Center Access Door cut out and a Navigate Surface Access Power Box to create a worksurface integrated user power solution
- Width: 9"
- Access Door Finish:
 - Foundation Colors
 - Mica Colors
 - Accent Colors

planning with wire management and electrics

wire channel

Wire Channels (HNBFCN) must always be specified the same width as the frame. A removable side door facing each end user for access to power modules is included.

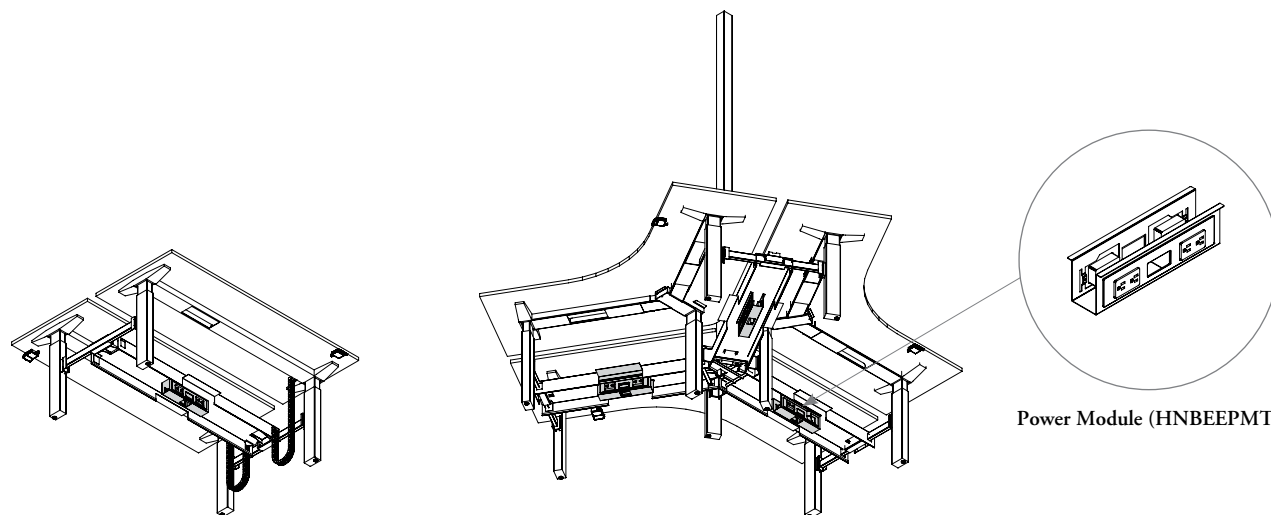
- Built-in Interpret Accessory Beam that accommodates Navigate Fixed Center Screens (HNBC)
- Accommodates Navigate Vertical Wire Carrier Vertical Cable Manager (HNBE) that must be specified separately



Underside of Wire Channel (HNBFCN)

power module and receptacles

Power modules (HNBE) are double-sided, face horizontally and accept four receptacle outlets (two on each side). The module is mounted horizontally on the Wire Channel and can be accessed easily from the side through a removable side door.



Power Modules with Navigate Frame

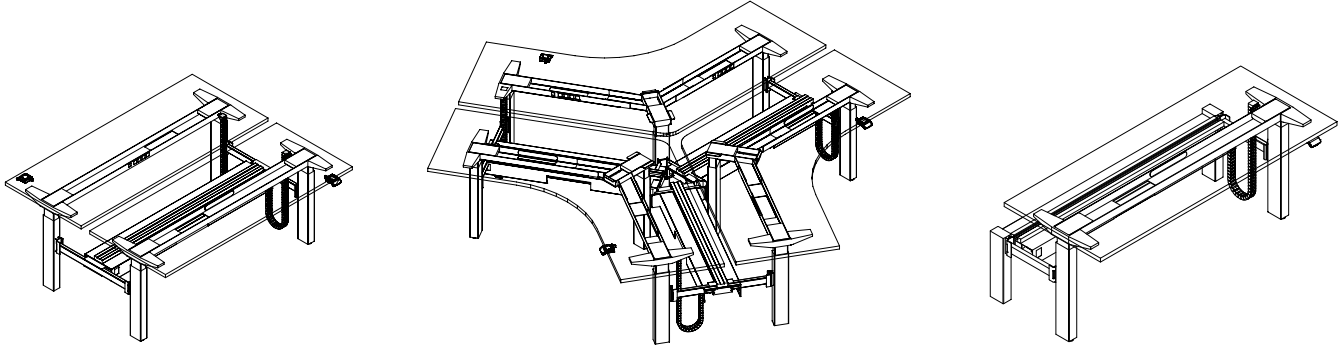
Power Modules with Navigate 120 Frame

Power Module (HNBEEPMT)

planning with wire management and electric (continued)

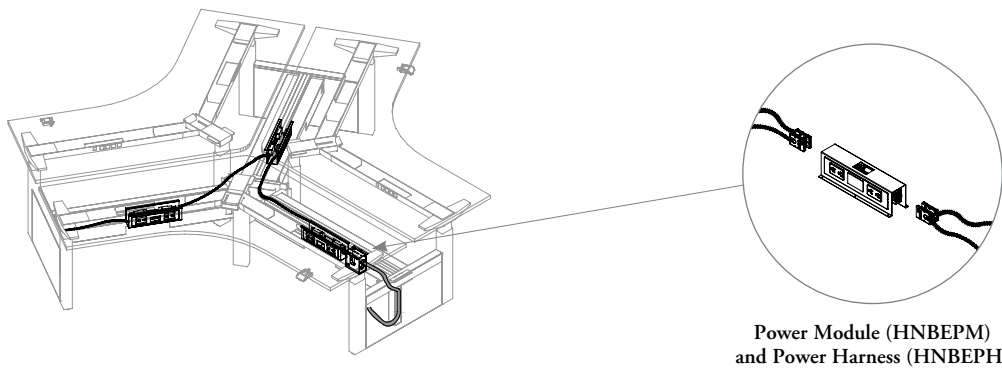
vertical wire carrier

Navigate Vertical Wire Carrier Vertical Cable Manager (HNBE) allows for cables to be concealed and safely run from the worksurface to the wire channel. These are optional and must be specified separately.



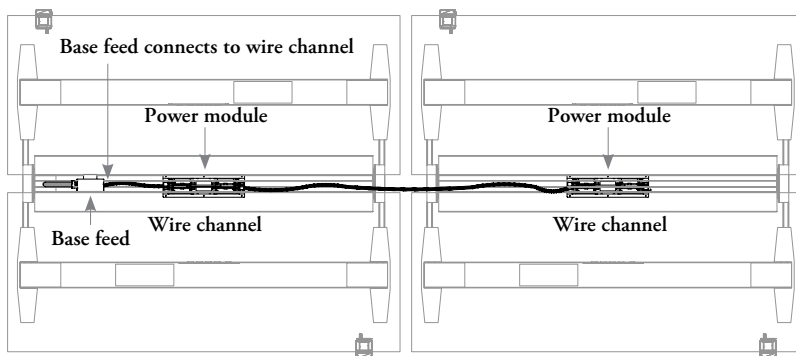
power module and power harness

Power harnesses allow for non-directional routing so power can enter and exit from the same end of the power module. Up to four power harnesses can be used on one power module.



harness lengths

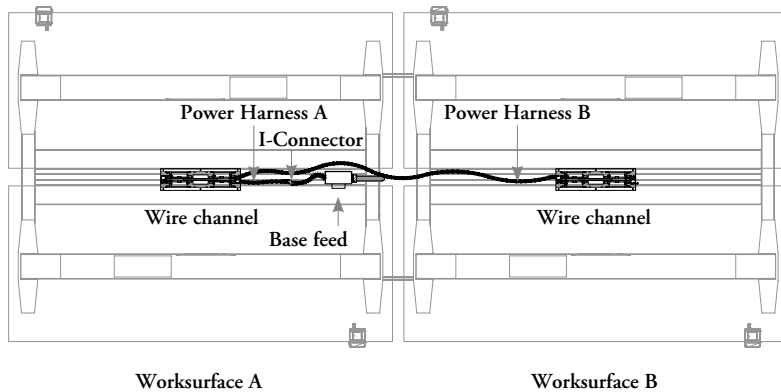
Base Feed and Power Harnesses - End Condition



When a base feed is specified in the end condition, an extra harness is not required to connect to the power module in the wire channel. Measure the distance between power module to power module to calculate harness length required.

planning with wire management and electrics (continued)

Base Feed and Power Harnesses - Mid Condition



There are two extra harnesses required to be specified if power is at the Mid Condition.

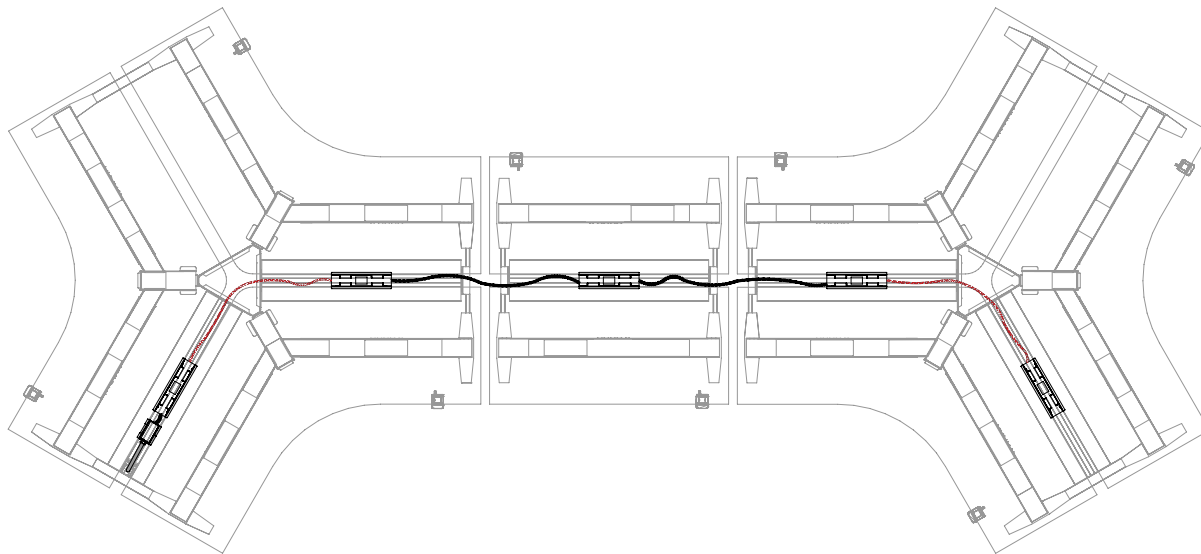
Harness A must be specified to connect from the base feed to the power module. An i-connector is not required to be specified.

- If Worksurface A is 82" wide or less, specify a 48" long harness
- If Worksurface A is 88" wide - 94" wide, specify a 60" long harness

Harness B must be specified to connect Worksurface A to Worksurface B.

- Use the following formula to calculate the harness length required to connect Worksurface A to Worksurface B:
 - $\text{Worksurface A}/2 + \text{Worksurface B}/2 = x$ (harness length required)
 - If B is less than 72" wide, specify a 72" long harness
 - If B is between 72" and 84" wide, specify a 82" long harness

Base Feed and Power Harnesses - 120



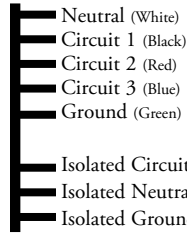
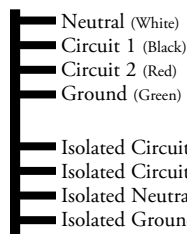
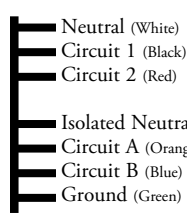
When calculating the harness length for 120 frames, specify the next size up from desk width.

- For 46" w 120 Frame, specify a 48" long harness
- For 52" w 120 Frame, specify a 60" long harness
- For 58" w 120 Frame, specify a 60" long harness

wiring system

Four wiring systems are available for Interpret 8-Wire Isolated (8T), 7-Wire Non Isolated (7T), 8-Wire Dual Isolated (8K) and 7-Wire Dual Non Isolated (7K). Most common Teknion wiring configurations are achieved with these wiring systems.

For sites where Isolated Ground is not available, Teknion offers Non-Isolated Ground options for furniture wiring. The site electrician or electrical contractor/consultant can identify sites where Isolated Ground is not available. For those sites, please specify Teknion 7T or 7K wiring systems.

	No. Regular Circuits	No. Isolated Circuits
8-Wire Isolated (8T) (3+1)  <ul style="list-style-type: none"> Neutral (White) Circuit 1 (Black) Circuit 2 (Red) Circuit 3 (Blue) Ground (Green) Isolated Circuit 5 (Orange) Isolated Neutral (White/Orange) Isolated Ground (Green/Orange) 	3	1
8-Wire Dual Isolated (8K) (2+2)  <ul style="list-style-type: none"> Neutral (White) Circuit 1 (Black) Circuit 2 (Red) Ground (Green) Isolated Circuit 5 (Orange) Isolated Circuit 6 (Blue) Isolated Neutral (White/Orange) Isolated Ground (Green/Orange) 	2	2
7-Wire Non Isolated (7T) (3+1)  <ul style="list-style-type: none"> Neutral (White) Circuit 1 (Black) Circuit 2 (Red) Circuit 3 (Blue) Ground (Green) Neutral (White/Orange) Circuit A (Orange) 	4	0
7-Wire Dual Non Isolated (7K) (2+2)  <ul style="list-style-type: none"> Neutral (White) Circuit 1 (Black) Circuit 2 (Red) Isolated Neutral (White/Orange) Circuit A (Orange) Circuit B (Blue) Ground (Green) 	4	0

wiring system/receptacles

	Wiring System			
	8T	8K	7T	7K
Regular Ground Receptacles	1, 2, 3	1, 2	1, 2, 3, A	1, 2, A, B
Isolated Ground Receptacles	5	5, 6	n/a	n/a

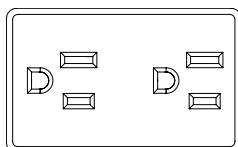
- All receptacles except Circuit 6, A, B can be used with the 8T wiring system (cannot accept a 2nd Isolated Circuit)
- All receptacles except Circuit 3 can be used with the 8K wiring system (cannot accept a 3rd Regular Circuit)
- Circuit A is compatible with 7T & 7K. Circuit B is compatible with 7K only

wiring system/related circuit

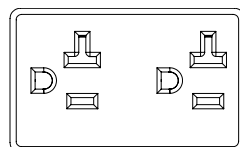
	Wiring System			
	8T	8K	7T	7K
Regular Circuit 1 Receptacle	✓	✓	✓	✓
Regular Circuit 2 Receptacle	✓	✓	✓	✓
Regular Circuit 3 Receptacle	✓		✓	
Isolated Circuit 5 IG Receptacle	✓	✓		
Isolated Circuit 6 IG Receptacle		✓		
Regular Circuit A Receptacle			✓	✓
Regular Circuit B Receptacle				✓

✓ Applicable

15 Amp



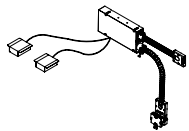
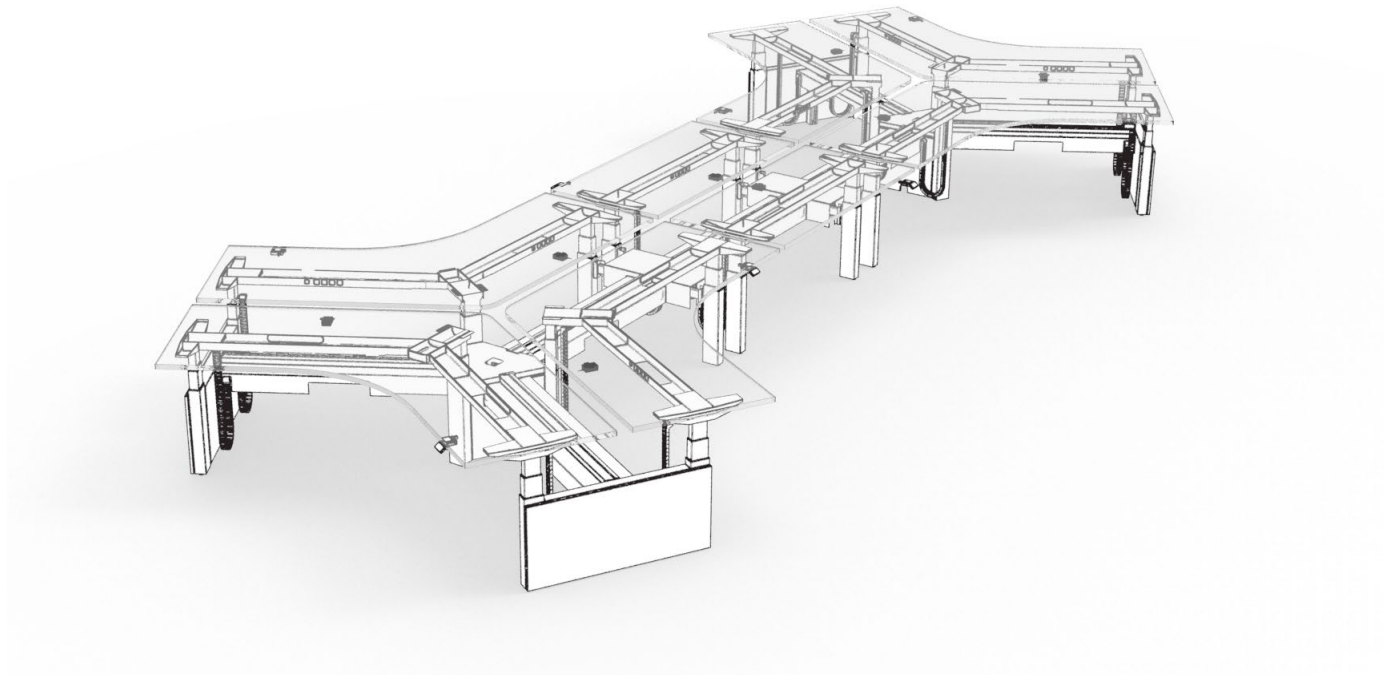
20 Amp



- Outlets are available 15, 20 amp or USB
- The 20 Amp is only available in Black
- Outlets are available with marking indicating it is connected to a control system in both 15 and 20 amp options

power conservation system basics

Furniture based solution for the controlling function that addresses the ASHRAE/Title 24 electrical requirements.



Navigate Power Conservation System (HNBEPC)

- Up to two circuits can be controlled by occupancy sensors (included)
- Maximum of 4 sensors can be connected to each individual controlled circuit
- When using the Power Conservation System, circuits 3, 5, 6, A and B will always stay powered on (uncontrolled)
- To get individually controlled stations, specify the Power Conservation System with 2 sensors
- Available with option of 2, 4 or 8 sensors (Maximum of 4 sensors per run)
- Sensors mount to the underside of the worksurface
- A hard wired connection supplies power into a panel from the building power source
- Always specify one sensor per workstation
- Only one controlled circuit per workstation (do not specify two controlled circuits in one single workstation)
- Do **not** specify mix receptacles for both circuit 1 and 2 in a single workstation

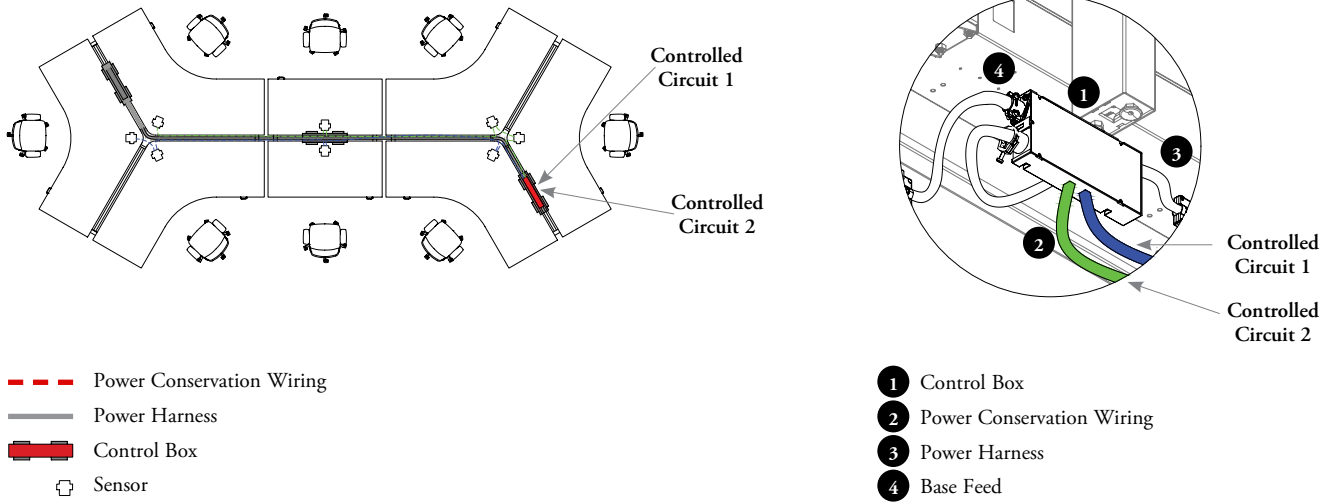
planning with power conservation system

The following should be considered when planning with the Power Conservation System.

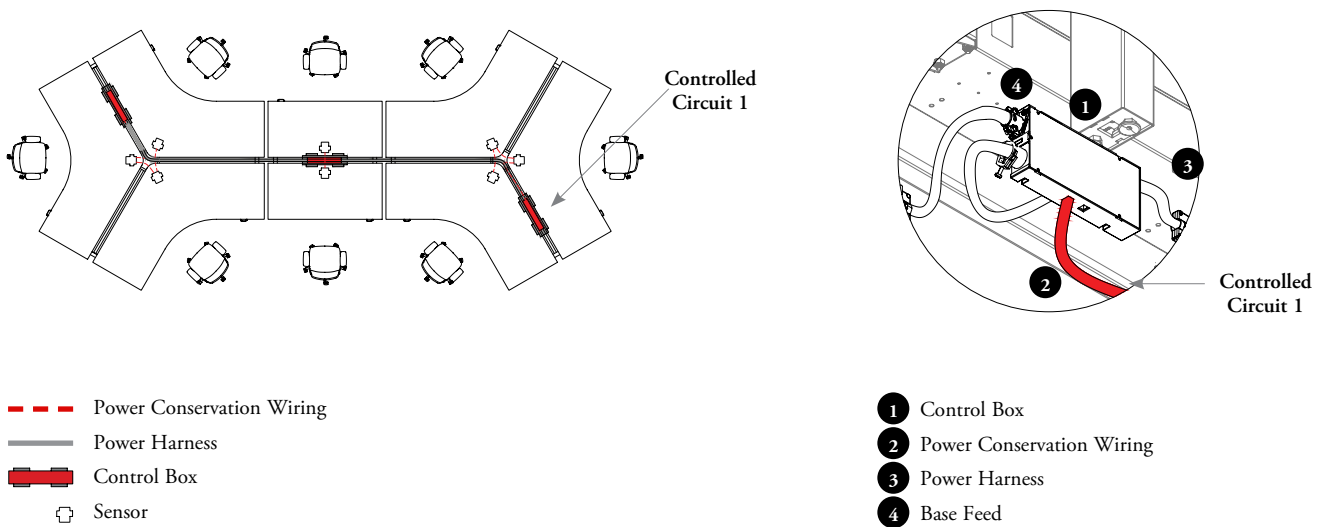
The following are two ways of planning with the Power Conservation System.

scenario A: multiple sensor planning

The connection between two power modules only applies on the installation for 4 sensors and 8 sensors.



scenario B: single sensor planning



- Always specify one sensor per workstation
- Only one controlled circuit per workstation (do not specify two controlled circuits in one single workstation)
- Do not specify mix receptacles for both circuit 1 and 2 in a single workstation

navigate
price & product guide

navigate price & product guide

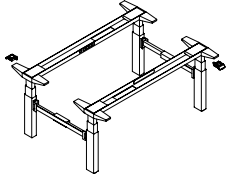
NAVIGATE FRAMES	71
NAVIGATE WORKSURFACES	83
NAVIGATE CASUAL SPACE DIVISION.	98
NAVIGATE STUDY CARREL SCREEN	139
NAVIGATE ELECTRICS	143

navigate frames

navigate frames product map

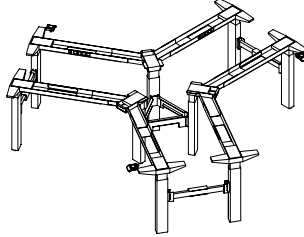
HNBFA Navigate Frame

Page 72



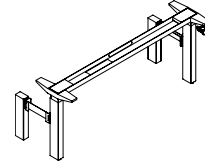
HNBFT Navigate 120 Frame

Page 74



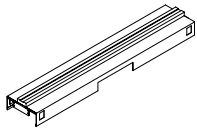
HBNFNZ Navigate Single-Sided Frame

Page 76



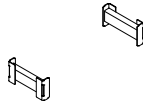
HNBFCN Navigate Wire Channel

Page 78



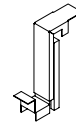
HNBFFN Frame Link

Page 79



HNBFNS System Link

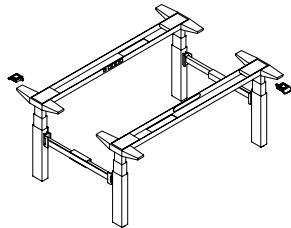
Page 80



H N B F N A

Navigate Frame

One Table
One Plug



The Navigate Frame is paired with Navigate Rectangular Worksurface (HNBWRN) to create a Navigate Height-Adjustable Bench Double-Sided Station.

WHAT'S INCLUDED

Each frame includes 2 height-adjustable mechanisms, 2 switches, 4 height-adjustable legs with levelers, 2 cross channels, 2 leg braces, appropriate hardware.

NOTES

Requires two Navigate Rectangular Worksurfaces (HNBWRN) and one Navigate Wire Channel (Dual Sided - Standard). Requires Covers/Gables to conceal leg braces, 3" of leveling.

All electric base mechanisms have a 0.1 Watt resting power draw and use 120V North American control box.

For Switch details, see the Application Guide section.

Cross Channel Integrated Powerbar option (C) includes 3 outlets + 1 IEC Connection. This IEC connection accepts only one IEC-compatible power accessory (with an IEC cord terminal) at a time.

Undersurface cable management option (5) - Dual Plastic Trays + Powerbar with IEC refers to a Power Rod (with IEC cord terminal) that must be plugged into the IEC connection of the Cross Channel Integrated Powerbar option (C).

For more information about the One Table One Plug electrical system, IEC-compatible power accessories and planning with IEC Connection, refer to Complements: *Teknion's Ergonomics & Accessories Program*.

PRODUCT OPTIONS

Base Mechanism	Depth	Width	Finish
7S Standard Electric (27" - 43")	48, 60, 72	46, 52, 58, 64, 70, 76, 82, 88, 94	Foundation
9C Extended Electrics-Restricted (25" - 48.7")			Mica
9E Extended Electrics-Extended (22.6" - 48.7")			Accent

SAMPLE ORDER CODE

HNBFA 7S	60	60	91
-----------------	-----------	-----------	-----------

PRODUCT OPTIONS (CONTINUED)

Switch Style	Switch Finish	Power Bar	Undersurface Cable Management
D Display with Up/Down Memory	E Ebony Coordinate	N None	N None
T Toggle Up/Down	X Anthracite	I Cross Channel Integrated-4 Outlets	1 Cable Organizer with Felt Cover
X Display Toggle with Memory and Navigate GPS	7 Platinum	C Cross Channel Integrated-3 Outlets + 1 IEC	3 Dual Plastic Trays + Power Bar
	6 Crisp Grey		4 Dual Plastic Trays
			5 Dual Plastic Trays + Power Bar with IEC

SAMPLE ORDER CODE (CONTINUED)

X	X	I	1
----------	----------	----------	----------

Pricing is continued on the following page.

H N B F N A
Navigate Frame (Continued)

**DIMENSIONS
 INCHES / MM**

PRICING

DIMENSIONS INCHES / MM		PRICING			
D	W	STANDARD		EXTENDED-RESTRICTED / EXTENDED-EXTENDED	
		Foundation	Mica/Accent	Foundation	Mica/ Accent
48 / 1219	46 / 1168	6633	6973	6957	7314
48 / 1219	52 / 1321	6663	7006	6987	7345
48 / 1219	58 / 1473	6690	7034	7017	7375
48 / 1219	64 / 1626	6704	7047	7033	7393
48 / 1219	70 / 1778	6735	7081	7068	7429
48 / 1219	76 / 1930	6760	7106	7092	7458
48 / 1219	82 / 2083	6786	7134	7120	7487
48 / 1219	88 / 2235	6809	7160	7146	7512
48 / 1219	94 / 2388	6837	7189	7175	7543
60 / 1524	46 / 1168	6839	7191	7175	7543
60 / 1524	52 / 1321	6859	7211	7194	7563
60 / 1524	58 / 1473	6880	7233	7218	7589
60 / 1524	64 / 1626	6894	7247	7233	7604
60 / 1524	70 / 1778	6915	7269	7253	7626
60 / 1524	76 / 1930	6931	7286	7274	7647
60 / 1524	82 / 2083	6951	7308	7296	7669
60 / 1524	88 / 2235	6969	7328	7315	7691
60 / 1524	94 / 2388	6989	7347	7337	7712
72 / 1829	46 / 1168	6902	7256	7240	7611
72 / 1829	52 / 1321	6912	7267	7252	7625
72 / 1829	58 / 1473	6925	7279	7266	7637
72 / 1829	64 / 1626	6932	7287	7274	7647
72 / 1829	70 / 1778	6940	7298	7285	7658
72 / 1829	76 / 1930	6955	7313	7299	7671
72 / 1829	82 / 2083	6975	7335	7321	7695
72 / 1829	88 / 2235	6983	7342	7329	7705
72 / 1829	94 / 2388	6994	7353	7344	7721

If Display with Up/Down Memory (D) switches are specified, add 193

If Display Toggle with Memory and Navigate GPS (X) switches are specified, add 193

If Dual Plastic Trays are specified, add 114

If Dual Plastic Trays and Powerbar are specified, add 551

If Cable Organizer with Felt Cover are specified, add 560

If Cross Channel Integrated Powerbar - 4 Outlets (I) or 3 Outlets + 1 IEC (C) with No Cable Management are specified, add 476

If Cross Channel Integrated Powerbar - 4 Outlets (I) or 3 Outlets + 1 IEC (C) + Dual Plastic Trays are specified, add 592

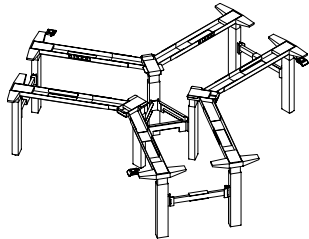
If Cross Channel Integrated Powerbar - 4 Outlets (I) + Dual Plastic Trays + Powerbar are specified, add 1027

If Cross Channel Integrated Powerbar - 3 Outlets + 1 IEC (C) + Dual Plastic Trays + Powerbar with IEC are specified, add 1162

If Cross Channel Integrated Powerbar - 4 Outlets (I) or 3 Outlets + 1 IEC (C) + Cable Organizer with Felt Cover are specified, add 1039

H N B F N T Navigate 120 Frame

One Table
One Plug



The Navigate 120 Frame is paired with Navigate 120 Worksurface (HNBWTN) to create a Navigate Height-Adjustable Bench 120 Station.

WHAT'S INCLUDED

Each 120 Frame includes 3 height-adjustable mechanisms, 3 switches, 9 height-adjustable legs with levelers, 6 cross channels, 3 end leg braces, 3 mid leg braces, appropriate hardware.

NOTES

Requires three Navigate 120 Worksurfaces (HNBWTN) and one Navigate Wire Channel (Dual Sided - Standard). Requires Covers/Gables to conceal leg braces. 3" of leveling.

All electric base mechanisms have a 0.1 Watt resting power draw and uses 120V North American control box.

Cross Channel Integrated Powerbar option (C) includes 3 outlets + 1 IEC Connection. This IEC connection accepts only one IEC-compatible power accessory (with an IEC cord terminal) at a time.

Undersurface cable management option (5) - Dual Plastic Trays + Powerbar with IEC refers to a Power Rod (with IEC cord terminal) that must be plugged into the IEC connection of the Cross Channel Integrated Powerbar option (C).

For more information about the One Table One Plug electrical system, IEC-compatible power accessories and planning with IEC Connection, refer to Complements: *Teknion's Ergonomics & Accessories Program*.

PRODUCT OPTIONS

Base Mechanism	Depth	Width	Finish
7S Standard Electric (27" - 43")	48, 60	46, 52, 58	Foundation
9C Extended Electrics-Restricted (25" - 48.7")			Mica
9E Extended Electrics-Extended (22.6" - 48.7")			Accent

SAMPLE ORDER CODE

HNBFNT 7S	60	58	91
------------------	-----------	-----------	-----------

PRODUCT OPTIONS (CONTINUED)

Switch Style	Switch Finish	Power Bar	Undersurface Cable Management
D Display with Up/Down Memory	E Ebony Coordinate	N None	N None
T Toggle Up/Down	X Anthracite	I Cross Channel Integrated-4 Outlets	1 Cable Organizer with Felt Cover
X Display Toggle with Memory and Navigate GPS	7 Platinum	C Cross Channel Integrated-3 Outlets + 1 IEC	3 Dual Plastic Trays + Power Bar
	6 Crisp Grey		4 Dual Plastic Trays
			5 Dual Plastic Trays + Power Bar with IEC

SAMPLE ORDER CODE (CONTINUED)

X	X	I	1
----------	----------	----------	----------

Pricing is continued on the following page.

H N B F N T
Navigate 120 Frame (Continued)

**DIMENSIONS
INCHES / MM**

PRICING

		STANDARD		EXTENDED-RESTRICTED / EXTENDED-EXTENDED	
		Foundation	Mica/Accent	Foundation	Mica/ Accent
D	W				
48 / 1219	46 / 1168	13279	13943	13978	14675
48 / 1219	52 / 1321	13310	13977	14010	14712
48 / 1219	58 / 1473	13340	14008	14043	14746
<hr/>					
60 / 1524	46 / 1168	13279	13943	13978	14675
60 / 1524	52 / 1321	13310	13977	14010	14712
60 / 1524	58 / 1473	13340	14008	14043	14746

If Display with Up/Down Memory (D) switches are specified, add 289

If Display Toggle with Memory and Navigate GPS (X) switches are specified, add 289

If Dual Plastic Trays are specified, add 171

If Dual Plastic Trays and Powerbar are specified, add 825

If Cable Organizer with Felt Cover are specified, add 841

If Cross Channel Integrated Powerbar - 4 Outlets (I) or 3 Outlets + 1 IEC (C) with No Cable Management are specified, add 713

If Cross Channel Integrated Powerbar - 4 Outlets (I) or 3 Outlets + 1 IEC (C) + Dual Plastic Trays are specified, add 887

If Cross Channel Integrated Powerbar - 4 Outlets (I) + Dual Plastic Trays + Powerbar are specified, add 1539

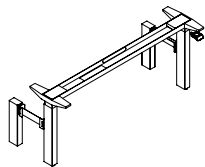
If Cross Channel Integrated Powerbar - 3 Outlets + 1 IEC (C) + Dual Plastic Trays + Powerbar with IEC are specified, add 1745

If Cross Channel Integrated Powerbar - 4 Outlets (I) or 3 Outlets + 1 IEC (C) + Cable Organizer with Felt Cover are specified, add 1559

HNBFNZ

Navigate Single-Sided Frame

One Table
One Plug



The Navigate Single-Sided Frame is paired with either Navigate Single-Sided Rectangular Worksurface (HNBWRS) or Navigate Single-Sided Rectangular Extended Worksurface (HNBWES) to create a Navigate Height-Adjustable Bench Single-Sided Station.

WHAT'S INCLUDED

Each frame includes 1 height-adjustable mechanism, 1 switch, 2 height-adjustable legs, 2 support legs with counter-weight, 1 cross channel, 2 leg braces, appropriate hardware.

NOTES

Requires 1 Navigate Single-Sided Worksurface, 1 Navigate Wire Channel (Single-Sided), selection of Single-Sided Covers / Gables to conceal leg braces. 3" of leveling.

Electric base mechanisms has a 0.1 Watt resting power draw and use 120V North American control box.

For Switch details, see the Application Guide section.

Cross Channel Integrated Powerbar option (C) includes 3 outlets + 1 IEC Connection. This IEC connection accepts only one IEC-compatible power accessory (with an IEC cord terminal) at a time.

Undersurface cable management option (5) - Dual Plastic Trays + Powerbar with IEC refers to a Power Rod (with IEC cord terminal) that must be plugged into the IEC connection of the Cross Channel Integrated Powerbar option (C).

For more information about the One Table One Plug electrical system, IEC-compatible power accessories and planning with IEC Connection, refer to Complements: *Teknion's Ergonomics & Accessories Program*.

PRODUCT OPTIONS

Base Mechanism	Depth	Width	Finish
7S Standard Electric (27" - 43")	24, 30	46, 52, 58, 64, 70, 76, 82, 88, 94	Foundation
9C Extended Electrics-Restricted (25" - 48.7")			Mica
9E Extended Electrics-Extended (22.6" - 48.7")			Accent

SAMPLE ORDER CODE

HNBFNZ 7S	24	58	91
------------------	-----------	-----------	-----------

PRODUCT OPTIONS (CONTINUED)

Switch Style	Switch Finish	Power Bar	Undersurface Cable Management
D Display with Up/Down Memory	E Ebony Coordinate	N None	N None
T Toggle Up/Down	X Anthracite	I Cross Channel Integrated-4 Outlets	1 Cable Organizer with Felt Cover
X Display Toggle with Memory and Navigate GPS	7 Platinum	C Cross Channel Integrated-3 Outlets + 1 IEC	3 Dual Plastic Trays + Power Bar
	6 Crisp Grey		4 Dual Plastic Trays
			5 Dual Plastic Trays + Power Bar with IEC

SAMPLE ORDER CODE (CONTINUED)

X	X	I	1
----------	----------	----------	----------

Pricing is continued on the following page.

H N B F N Z
Navigate Single-Sided Frame
(Continued)

DIMENSIONS
INCHES / MM

PRICING

DIMENSIONS		PRICING			
INCHES / MM		STANDARD		EXTENDED-RESTRICTED / EXTENDED-EXTENDED	
D	W	Foundation	Mica/Accent	Foundation	Mica/ Accent
24 / 610	46 / 1168	4736	4973	4968	5215
24 / 610	52 / 1321	4758	4996	4988	5239
24 / 610	58 / 1473	4776	5016	5009	5261
24 / 610	64 / 1626	4788	5027	5023	5272
24 / 610	70 / 1778	4809	5052	5046	5299
24 / 610	76 / 1930	4827	5067	5063	5315
24 / 610	82 / 2083	4848	5089	5084	5337
24 / 610	88 / 2235	4862	5105	5102	5357
24 / 610	94 / 2388	4882	5126	5123	5380
30 / 762	46 / 1168	4884	5127	5123	5380
30 / 762	52 / 1321	4895	5142	5136	5394
30 / 762	58 / 1473	4913	5157	5153	5411
30 / 762	64 / 1626	4921	5167	5164	5422
30 / 762	70 / 1778	4938	5184	5179	5439
30 / 762	76 / 1930	4949	5196	5193	5453
30 / 762	82 / 2083	4964	5211	5210	5471
30 / 762	88 / 2235	4976	5225	5223	5486
30 / 762	94 / 2388	4989	5240	5239	5501

- If Display with Up/Down Memory (D) switch is specified, add 96
- If Display Toggle with Memory and Navigate GPS (X) switch is specified, add 96
- If Dual Plastic Trays are specified, add 57
- If Dual Plastic Trays and Powerbar are specified, add 274
- If Cable Organizer with Felt Cover is specified, add 281
- If Cross Channel Integrated Powerbar - 4 Outlets (I) or 3 Outlets + 1 IEC (C) with No Cable Management are specified, add 238
- If Cross Channel Integrated Powerbar - 4 Outlets (I) or 3 Outlets + 1 IEC (C) + Dual Plastic Trays are specified, add 296
- If Cross Channel Integrated Powerbar - 4 Outlets (I) + Dual Plastic Trays + Powerbar are specified, add 513
- If Cross Channel Integrated Powerbar - 3 Outlets + 1 IEC (C) + Dual Plastic Trays + Powerbar with IEC are specified, add 582
- If Cross Channel Integrated Powerbar - 4 Outlets (I) or 3 Outlets + 1 IEC (C) + Cable Organizer with Felt Cover are specified, add 521

HNBFCN

Navigate Wire Channel

The Navigate Wire Channel conceals and manages the modular electrical systems selected (ordered separately), wiring, data and communication cables. The Wire Channel includes a top mounted Interpret Accessory Beam to mount Fixed Center Screens.

WHAT'S INCLUDED

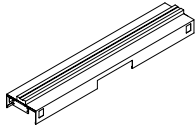
1 electrical channel, 1 Interpret accessory beam, 1 data bracket, 1 cable wrap, M-Clips (quantity dependent on channel length), 2 vertical power covers, mounting hardware.

NOTES

Covers are provided to conceal Vertical Wire Carrier attachment locations if unused.

Vertical Wire Carriers are ordered separately (HNBEEE).

Finished top trim is included and must be removed to mount Fixed Center Screens



PRODUCT OPTIONS

Style	Width	Finish
B Dual-Sided - Standard/120	46, 52, 58, 64, 70, 76, 82, 88, 94	Foundation
S Single-Sided		Mica Accent

SAMPLE ORDER CODE

HNBFCN B	58	91
-----------------	-----------	-----------

DIMENSIONS INCHES / MM

W
46 / 1168
52 / 1320
58 / 1473
64 / 1626
70 / 1778
76 / 1930
82 / 2083
88 / 2235
94 / 2388

PRICING

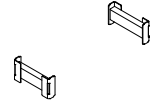
	Foundation	Mica/Accent
	778	819
	819	858
	857	901
	897	942
	937	984
	976	1025
	1015	1066
	1056	1108
	1094	1150

The Frame Link (quantity 2) is used to join any style of Navigate Frame to any style of Navigate Frame.

H N B F N F
Frame Link

WHAT'S INCLUDED
2 frame links, assembly hardware.

NOTES
Finished in Ebony.



PRICING

154

H N B F N S

Navigate System Link

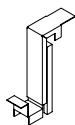
The Navigate System Link is used to join a Navigate Height-Adjustable Bench to another Teknion system product.

WHAT'S INCLUDED

1 system link, assembly hardware.

NOTES

Interpret System Link has built-in wire management and has leveling height-adjustment.



PRODUCT OPTIONS

System	Finish
1 Interpret	Foundation Mica Accent

SAMPLE ORDER CODE

HNBFNS 1	11
-----------------	-----------

PRICING

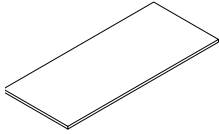
Foundation	Mica/Accent
234	246

navigate workspaces

navigate worksurfaces product map

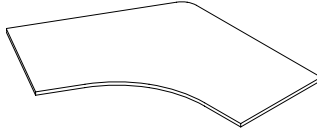
HNBWRN Navigate Rectangular
Worksurface

Page 84



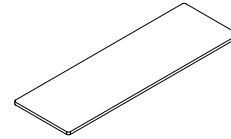
HNBWTN Navigate 120
Worksurface

Page 88



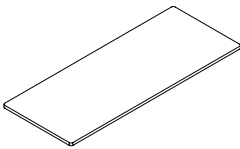
HNBWRS Navigate Single-
Sided Rectangular
Worksurface

Page 90



HNBWES Navigate Single-Sided
Rectangular Extended
Worksurface

Page 92



HNBWRN

Navigate Rectangular Worksurface

The Navigate Rectangular Worksurface is to be paired with the Navigate Frame (HNBFN) to create a Navigate Height-Adjustable Bench Double-Sided station.

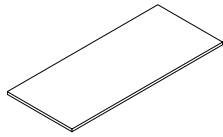
WHAT'S INCLUDED

1 worksurface, cut outs (if specified), mounting hardware.

NOTES

Actual Depth is calculated as the stated Nominal Depth minus 0.5".

Center Access Door cut out must be specified to include a Navigate Center Access Door and Navigate Surface Access Power Box to create a worksurface integrated user power solution.



PRODUCT OPTIONS

Nominal Depth	Actual Width	Corner Profile	Surface Finish
22, 23, 28, 29, 34, 35	46, 52, 58, 64, 70, 76, 82, 88, 94	1 Rounded (Leverage) 2 Square	Source Laminate Foundation Laminate Flintwood Natural Veneer

SAMPLE ORDER CODE

HNBWRN 22	58	1	LW
------------------	-----------	----------	-----------

PRODUCT OPTIONS (CONTINUED)

Edge Trim Styles	Edge Trim Finishes	Rectangular Grommet Cut Out Location	Center Access Door Cut Out
2 Bullnose (with Foundation Laminate) 6 Straight (with Source Laminate & Foundation Laminate) 8 Flat (with Foundation Laminate) 9 Flat (with Flintwood & Natural Veneer) H Full Knife (with Foundation Laminate, Flintwood & Natural Veneer)	Edge Trim Colors	N None A Left, Right and Center B Both Left and Right L Left R Right C Center	N None Y Yes

SAMPLE ORDER CODE (CONTINUED)

8	ST	C	N
----------	-----------	----------	----------

Pricing is continued on the following page.

H N B W R N

**Navigate Rectangular Worksurface
(Continued)**

**DIMENSIONS
INCHES / MM**

PRICING

		ROUNDED CORNER PROFILE (1) / SQUARE CORNER PROFILE (2)								
		SOURCE LAMINATE		FOUNDATION LAMINATE			FLINTWOOD		NATURAL VENEER	
D	W	Straight Edge	Flat Edge	Straight Edge	Bullnose Edge	Full Knife Edge	Flat Edge	Full Knife Edge	Flat Edge	Full Knife Edge
22 / 559	46 / 1168	428	477	487	561	615	1107	1268	1159	1329
22 / 559	52 / 1321	514	629	639	720	814	1228	1412	1288	1480
22 / 559	58 / 1473	590	639	650	738	829	1307	1498	1369	1569
22 / 559	64 / 1626	601	648	660	756	846	1408	1611	1474	1689
22 / 559	70 / 1778	612	659	673	773	860	1486	1696	1558	1777
22 / 559	76 / 1930	622	728	739	849	966	1565	1783	1639	1866
22 / 559	82 / 2083	632	737	752	864	981	1687	1924	1767	2018
22 / 559	88 / 2235	645	747	762	883	996	1766	2011	1849	2107
22 / 559	94 / 2388	653	759	773	900	1013	1844	2096	1933	2196
23 / 584	46 / 1168	428	477	487	561	615	1107	1268	1159	1329
23 / 584	52 / 1321	514	629	639	720	814	1228	1412	1288	1480
23 / 584	58 / 1473	590	639	650	738	829	1307	1498	1369	1569
23 / 584	64 / 1626	601	648	660	756	846	1408	1611	1474	1689
23 / 584	70 / 1778	612	659	673	773	860	1486	1696	1558	1777
23 / 584	76 / 1930	622	728	739	849	966	1565	1783	1639	1866
23 / 584	82 / 2083	632	737	752	864	981	1687	1924	1767	2018
23 / 584	88 / 2235	645	747	762	883	996	1766	2011	1849	2107
23 / 584	94 / 2388	653	759	773	900	1013	1844	2096	1933	2196
28 / 711	46 / 1168	498	523	531	615	670	1263	1453	1324	1522
28 / 711	52 / 1321	532	647	658	747	839	1372	1579	1438	1655
28 / 711	58 / 1473	626	659	672	766	856	1460	1673	1530	1755
28 / 711	64 / 1626	639	673	682	784	876	1547	1770	1621	1854
28 / 711	70 / 1778	650	682	698	803	890	1680	1923	1759	2016
28 / 711	76 / 1930	800	1034	1049	1161	1368	1767	2020	1849	2116
28 / 711	82 / 2083	813	1046	1060	1181	1385	1897	2174	1987	2277
28 / 711	88 / 2235	826	1059	1074	1202	1404	1985	2271	2079	2378
28 / 711	94 / 2388	838	1070	1087	1218	1420	2072	2366	2170	2479
29 / 737	46 / 1168	498	523	531	615	670	1263	1453	1324	1522
29 / 737	52 / 1321	532	647	658	747	839	1372	1579	1438	1655
29 / 737	58 / 1473	626	659	672	766	856	1460	1673	1530	1755
29 / 737	64 / 1626	639	673	682	784	876	1547	1770	1621	1854
29 / 737	70 / 1778	650	682	698	803	890	1680	1923	1759	2016
29 / 737	76 / 1930	800	1034	1049	1161	1368	1767	2020	1849	2116
29 / 737	82 / 2083	813	1046	1060	1181	1385	1897	2174	1987	2277
29 / 737	88 / 2235	826	1059	1074	1202	1404	1985	2271	2079	2378
29 / 737	94 / 2388	838	1070	1087	1218	1420	2072	2366	2170	2479

If No Rectangular Grommet Cut Out, with Center Access Door Cut Out is specified, add 81

If Rectangular Grommet Cut Out is specified;

Left, Right & Center, No Center Access Door Cut Out, add 240

Both Left & Right, No Center Access Door Cut Out, add 159

Left or Right or Center, No Center Access Door Cut Out, add 81

Both Left & Right, with Center Access Door Cut Out, add 240

Left or Right, with Center Access Door Cut Out, add 159

Pricing is continued on the following page.

H N B W R N

Navigate Rectangular Worksurface (Continued)

DIMENSIONS INCHES / MM

PRICING

		ROUNDED CORNER PROFILE (1) / SQUARE CORNER PROFILE (2) (CONTINUED)								
		SOURCE LAMINATE		FOUNDATION LAMINATE			FLINTWOOD		NATURAL VENEER	
D	W	Straight Edge	Flat Edge	Straight Edge	Bullnose Edge	Full Knife Edge	Flat Edge	Full Knife Edge	Flat Edge	Full Knife Edge
34 / 864	46 / 1168	604	710	720	809	935	1397	1609	1464	1687
34 / 864	52 / 1321	770	1006	1017	1112	1324	1494	1716	1566	1797
34 / 864	58 / 1473	916	1020	1031	1132	1343	1636	1880	1713	1971
34 / 864	64 / 1626	931	1032	1046	1153	1362	1732	1987	1814	2082
34 / 864	70 / 1778	944	1046	1060	1175	1382	1871	2152	1960	2254
34 / 864	76 / 1930	958	1176	1189	1310	1579	1967	2257	2062	2366
34 / 864	82 / 2083	972	1189	1205	1332	1597	2066	2365	2162	2478
34 / 864	88 / 2235	985	1204	1218	1353	1617	2226	2559	2332	2682
34 / 864	94 / 2388	1000	1217	1234	1372	1637	2322	2667	2433	2793
35 / 889	46 / 1168	604	710	720	809	935	1397	1609	1464	1687
35 / 889	52 / 1321	770	1006	1017	1112	1324	1494	1716	1566	1797
35 / 889	58 / 1473	916	1020	1031	1132	1343	1636	1880	1713	1971
35 / 889	64 / 1626	931	1032	1046	1153	1362	1732	1987	1814	2082
35 / 889	70 / 1778	944	1046	1060	1175	1382	1871	2152	1960	2254
35 / 889	76 / 1930	958	1176	1189	1310	1579	1967	2257	2062	2366
35 / 889	82 / 2083	972	1189	1205	1332	1597	2066	2365	2162	2478
35 / 889	88 / 2235	985	1204	1218	1353	1617	2226	2559	2332	2682
35 / 889	94 / 2388	1000	1217	1234	1372	1637	2322	2667	2433	2793

If No Rectangular Grommet Cut Out, with Center Access Door Cut Out is specified, add 81

If Rectangular Grommet Cut Out is specified;

Left, Right & Center, No Center Access Door Cut Out, add 240

Both Left & Right, No Center Access Door Cut Out, add 159

Left or Right or Center, No Center Access Door Cut Out, add 81

Both Left & Right, with Center Access Door Cut Out, add 240

Left or Right, with Center Access Door Cut Out, add 159

H N B W T N

Navigate 120 Worksurface

The Navigate 120 Worksurface is to be paired with the Navigate 120 Frame (HNBFTN) to create a Navigate Height-Adjustable Bench 120 station.

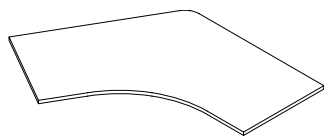
WHAT'S INCLUDED

1 worksurface, cut outs (if specified), mounting hardware.

NOTES

Actual Depth is calculated as the stated Nominal Depth minus 0.5".

Center Access Door cut out must be specified to include a Center Access Door and Surface Access Power Box to create a worksurface integrated user power solution.



PRODUCT OPTIONS

Nominal Depth	Actual Width	Corner Profile	Surface Finish
22, 23, 28, 29	46, 52, 58	1 Rounded (Leverage) 2 Square	Source Laminate Foundation Laminate Flintwood Natural Veneer

SAMPLE ORDER CODE

HNBWTN 22	58	1	IW
------------------	-----------	----------	-----------

PRODUCT OPTIONS (CONTINUED)

Edge Trim Styles	Edge Trim Finishes	Rectangular Grommet Cut Out Location	Center Access Door Cut Out
2 Bullnose (with Foundation Laminate) 6 Straight (with Source Laminate & Foundation Laminate) 8 Flat (with Foundation Laminate) 9 Flat (with Flintwood & Natural Veneer) H Full Knife (with Foundation Laminate, Flintwood & Natural Veneer)	Edge Trim Colors	NN None LL Left RR Right BB Both Left and Right	N None A Left, Right and Center B Both Left and Right L Left R Right C Center

SAMPLE ORDER CODE (CONTINUED)

8	ST	LL	N
----------	-----------	-----------	----------

Pricing is continued on the following page.

H N B W T N
Navigate 120 Worksurface
(Continued)

DIMENSIONS
INCHES / MM

PRICING

		ROUNDED CORNER PROFILE (1) / SQUARE CORNER PROFILE (2)								
		SOURCE LAMINATE		FOUNDATION LAMINATE			FLINTWOOD		NATURAL VENEER	
D	W	Straight Edge	Flat Edge	Straight Edge	Bullnose Edge	Full Knife Edge	Flat Edge	Full Knife Edge	Flat Edge	Full Knife Edge
22 / 559	46 / 1168	977	1094	1116	1288	1443	2422	2787	2549	2924
22 / 559	52 / 1321	1002	1237	1261	1455	1666	2749	3164	2893	3321
22 / 559	58 / 1473	1027	1266	1291	1491	1706	2816	3241	3074	3529
23 / 584	46 / 1168	977	1094	1116	1288	1443	2422	2787	2549	2924
23 / 584	52 / 1321	1002	1237	1261	1455	1666	2749	3164	2893	3321
23 / 584	58 / 1473	1027	1266	1291	1491	1706	2816	3241	3074	3529
28 / 711	46 / 1168	1087	1144	1166	1346	1505	2633	3039	2778	3189
28 / 711	52 / 1321	1293	1854	1890	2182	2464	2916	3357	3069	3522
28 / 711	58 / 1473	1322	1885	1922	2219	2504	3264	3765	3442	3949
29 / 737	46 / 1168	1087	1144	1166	1346	1505	2633	3039	2778	3189
29 / 737	52 / 1321	1293	1854	1890	2182	2464	2916	3357	3069	3522
29 / 737	58 / 1473	1322	1885	1922	2219	2504	3264	3765	3442	3949

If No Rectangular Grommet Cut Out, with Center Access Door Cut Out is specified, add 81

If Rectangular Grommet Cut Out is specified;

Left, Right & Center, No Center Access Door Cut Out, add 240

Both Left & Right, No Center Access Door Cut Out, add 159

Left or Right or Center, No Center Access Door Cut Out, add 81

Both Left & Right, with Center Access Door Cut Out, add 240

Left or Right, with Center Access Door Cut Out, add 159

HNBWRS

Navigate Single-Sided Rectangular Worksurface

The Navigate Single-Sided Rectangular Worksurface is to be paired with the Navigate Single-Sided Frame (HNBFNZ) to create a Navigate Height-Adjustable Bench Single-Sided station.

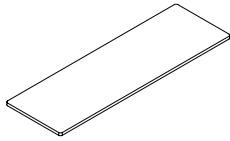
WHAT'S INCLUDED

1 worksurface, cut outs (if specified), mounting hardware.

NOTES

Actual Depth is calculated as the stated Nominal Depth minus 0.5".

Navigate Center Access Door cut out must be specified to include a Navigate Center Access Door and Navigate Surface Access Power Box to create a worksurface integrated user power solution.



PRODUCT OPTIONS

Nominal Depth	Actual Width	Corner Profile	Surface Finish
22, 23, 28, 29	46, 52, 58, 64, 70, 76, 82, 88, 94	1 Rounded (Leverage) 2 Square	Source Laminate Foundation Laminate Flintwood Natural Veneer

SAMPLE ORDER CODE

HNBWRS 22	58	1	LW
------------------	-----------	----------	-----------

PRODUCT OPTIONS (CONTINUED)

Edge Trim Styles	Edge Trim Finishes	Rectangular Grommet Cut Out Location	Center Access Door Cut Out
2 Bullnose (with Foundation Laminate) 6 Straight (with Source Laminate & Foundation Laminate) 8 Flat (with Foundation Laminate) 9 Flat (with Flintwood & Natural Veneer) H Full Knife (with Foundation Laminate, Flintwood & Natural Veneer)	Edge Trim Colors	N None A Left, Right and Center B Both Left and Right L Left R Right C Center	N None Y Yes

SAMPLE ORDER CODE (CONTINUED)

8	ST	C	N
----------	-----------	----------	----------

Pricing is continued on the following page.

H N B W R S
Navigate Single-Sided Rectangular Worksurface (Continued)

DIMENSIONS
INCHES / MM

PRICING

D		W		ROUNDED CORNER PROFILE (1) / SQUARE CORNER PROFILE (2)								
				SOURCE LAMINATE		FOUNDATION LAMINATE			FLINTWOOD		NATURAL VENEER	
				Straight Edge	Flat Edge	Straight Edge	Bullnose Edge	Full Knife Edge	Flat Edge	Full Knife Edge	Flat Edge	Full Knife Edge
22 / 559	46 / 1168	428	477	487	561	615	1107	1268	1159	1329		
22 / 559	52 / 1321	514	629	639	720	814	1228	1412	1288	1480		
22 / 559	58 / 1473	590	639	650	738	829	1307	1498	1369	1569		
22 / 559	64 / 1626	601	648	660	756	846	1408	1611	1474	1689		
22 / 559	70 / 1778	612	659	673	773	860	1486	1696	1558	1777		
22 / 559	76 / 1930	622	728	739	849	966	1565	1783	1639	1866		
22 / 559	82 / 2083	632	737	752	864	981	1687	1924	1767	2018		
22 / 559	88 / 2235	645	747	762	883	996	1766	2011	1849	2107		
22 / 559	94 / 2388	653	759	773	900	1013	1844	2096	1933	2196		
23 / 584	46 / 1168	428	477	487	561	615	1107	1268	1159	1329		
23 / 584	52 / 1321	514	629	639	720	814	1228	1412	1288	1480		
23 / 584	58 / 1473	590	639	650	738	829	1307	1498	1369	1569		
23 / 584	64 / 1626	601	648	660	756	846	1408	1611	1474	1689		
23 / 584	70 / 1778	612	659	673	773	860	1486	1696	1558	1777		
23 / 584	76 / 1930	622	728	739	849	966	1565	1783	1639	1866		
23 / 584	82 / 2083	632	737	752	864	981	1687	1924	1767	2018		
23 / 584	88 / 2235	645	747	762	883	996	1766	2011	1849	2107		
23 / 584	94 / 2388	653	759	773	900	1013	1844	2096	1933	2196		
28 / 711	46 / 1168	498	523	531	615	670	1263	1453	1324	1522		
28 / 711	52 / 1321	532	647	658	747	839	1372	1579	1438	1655		
28 / 711	58 / 1473	626	659	672	766	856	1460	1673	1530	1755		
28 / 711	64 / 1626	639	673	682	784	876	1547	1770	1621	1854		
28 / 711	70 / 1778	650	682	698	803	890	1680	1923	1759	2016		
28 / 711	76 / 1930	800	1034	1049	1161	1368	1767	2020	1849	2116		
28 / 711	82 / 2083	813	1046	1060	1181	1385	1897	2174	1987	2277		
28 / 711	88 / 2235	826	1059	1074	1202	1404	1985	2271	2079	2378		
28 / 711	94 / 2388	838	1070	1087	1218	1420	2072	2366	2170	2479		
29 / 737	46 / 1168	498	523	531	615	670	1263	1453	1324	1522		
29 / 737	52 / 1321	532	647	658	747	839	1372	1579	1438	1655		
29 / 737	58 / 1473	626	659	672	766	856	1460	1673	1530	1755		
29 / 737	64 / 1626	639	673	682	784	876	1547	1770	1621	1854		
29 / 737	70 / 1778	650	682	698	803	890	1680	1923	1759	2016		
29 / 737	76 / 1930	800	1034	1049	1161	1368	1767	2020	1849	2116		
29 / 737	82 / 2083	813	1046	1060	1181	1385	1897	2174	1987	2277		
29 / 737	88 / 2235	826	1059	1074	1202	1404	1985	2271	2079	2378		
29 / 737	94 / 2388	838	1070	1087	1218	1420	2072	2366	2170	2479		

If No Rectangular Grommet Cut Out, with Center Access Door Cut Out is specified, add 81

If Rectangular Grommet Cut Out is specified;

Left, Right & Center, No Center Access Door Cut Out, add 240

Both Left & Right, No Center Access Door Cut Out, add 159

Left or Right or Center, No Center Access Door Cut Out, add 81

Both Left & Right, with Center Access Door Cut Out, add 240

Left or Right, with Center Access Door Cut Out, add 159

HNBWES

Navigate Single-Sided Rectangular Extended Worksurface

The Navigate Single-Sided Rectangular Extended Worksurface is to be paired with the Navigate Single-Sided Frame (HNBFNZ) when a Corridor Screen is present to create a Navigate Height-Adjustable Bench Single-Sided station with minimal surface gap.

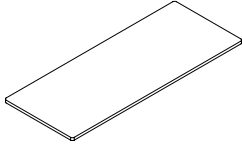
WHAT'S INCLUDED

1 worksurface, cut outs (if specified), mounting hardware.

NOTES

Actual Depth is calculated as the stated Nominal Depth minus 0.5".

Navigate Center Access Door cut out must be specified to include a Navigate Center Access Door and Navigate Surface Access Power Box to create a worksurface integrated user power solution.



PRODUCT OPTIONS

Actual Depth	Actual Width	Corner Profile	Surface Finish
28, 34	46, 52, 58, 64, 70, 76, 82, 88, 94	1 Rounded (Leverage) 2 Square	Source Laminate Foundation Laminate Flintwood Natural Veneer

SAMPLE ORDER CODE

HNBWES 28	58	1	LW
------------------	-----------	----------	-----------

PRODUCT OPTIONS (CONTINUED)

Edge Trim Styles	Edge Trim Finishes	Rectangular Grommet Cut Out Location	Center Access Door Cut Out
2 Bullnose (with Foundation Laminate) 6 Straight (with Source Laminate & Foundation Laminate) 8 Flat (with Foundation Laminate) 9 Flat (with Flintwood & Natural Veneer) H Full Knife (with Foundation Laminate, Flintwood & Natural Veneer)	Edge Trim Colors	N None A Left, Right and Center B Both Left and Right L Left R Right C Center	N None Y Yes

SAMPLE ORDER CODE (CONTINUED)

8	ST	C	N
----------	-----------	----------	----------

Pricing is continued on the following page.

H N B W E S
**Navigate Single-Sided Rectangular
 Extended Worksurface (Continued)**

**DIMENSIONS
 INCHES / MM**

PRICING

D		W		ROUNDED CORNER PROFILE (1) / SQUARE CORNER PROFILE (2)								
				SOURCE LAMINATE		FOUNDATION LAMINATE			FLINTWOOD		NATURAL VENEER	
				Straight Edge	Flat Edge	Straight Edge	Bullnose Edge	Full Knife Edge	Flat Edge	Full Knife Edge	Flat Edge	Full Knife Edge
28 / 711	46 / 1168	498	523	531	615	670	1263	1453	1324	1522		
28 / 711	52 / 1321	532	647	658	747	839	1372	1579	1438	1655		
28 / 711	58 / 1473	626	659	672	766	856	1460	1673	1530	1755		
28 / 711	64 / 1626	639	673	682	784	876	1547	1770	1621	1854		
28 / 711	70 / 1778	650	682	698	803	890	1680	1923	1759	2016		
28 / 711	76 / 1930	800	1034	1049	1161	1368	1767	2020	1849	2116		
28 / 711	82 / 2083	813	1046	1060	1181	1385	1897	2174	1987	2277		
28 / 711	88 / 2235	826	1059	1074	1202	1404	1985	2271	2079	2378		
28 / 711	94 / 2388	838	1070	1087	1218	1420	2072	2366	2170	2479		
34 / 864	46 / 1168	604	710	720	809	935	1397	1609	1464	1687		
34 / 864	52 / 1321	770	1006	1017	1112	1324	1494	1716	1566	1797		
34 / 864	58 / 1473	916	1020	1031	1132	1343	1636	1880	1713	1971		
34 / 864	64 / 1626	931	1032	1046	1153	1362	1732	1987	1814	2082		
34 / 864	70 / 1778	944	1046	1060	1175	1382	1871	2152	1960	2254		
34 / 864	76 / 1930	958	1176	1189	1310	1579	1967	2257	2062	2366		
34 / 864	82 / 2083	972	1189	1205	1332	1597	2066	2365	2162	2478		
34 / 864	88 / 2235	985	1204	1218	1353	1617	2226	2559	2332	2682		
34 / 864	94 / 2388	1000	1217	1234	1372	1637	2322	2667	2433	2793		

If No Rectangular Grommet Cut Out, with Center Access Door Cut Out is specified, add 81

If Rectangular Grommet Cut Out is specified;

Left, Right & Center, No Center Access Door Cut Out, add 240

Both Left & Right, No Center Access Door Cut Out, add 159

Left or Right or Center, No Center Access Door Cut Out, add 81

Both Left & Right, with Center Access Door Cut Out, add 240

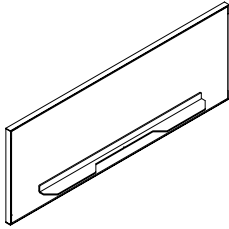
Left or Right, with Center Access Door Cut Out, add 159

navigate casual
space division

navigate casual space division product map

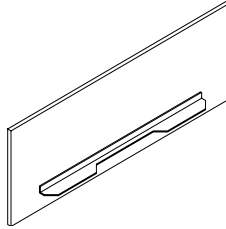
HNBCDF Navigate Desk Edge
Screen – Fabric

Page 98



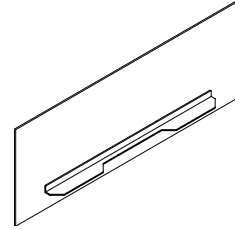
HNBCDS Navigate Desk Edge
Screen – Solid

Page 100



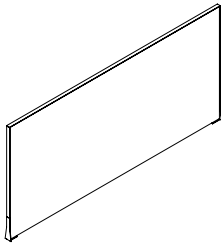
HNBCDG Navigate Desk Edge
Screen – Glass

Page 101



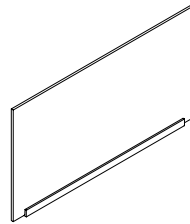
HNBCFF Navigate Fixed Center
Screen – Fabric

Page 102



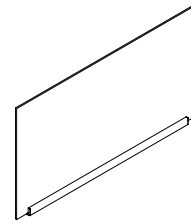
HNBCFS Navigate Fixed Center
Screen – Solid

Page 103



HNBCFG Navigate Fixed Center
Screen – Glass

Page 104



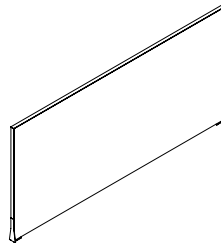
GXCC Infinity Screen
Alignment Clip

Page 105



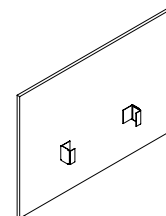
HNBTFF Navigate End of Run
Screen – Fabric

Page 106



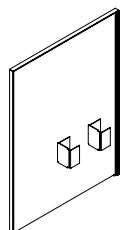
HNBTFS Navigate End of Run
Screen – Solid

Page 107



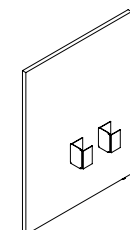
HNBTFF Navigate Single-Sided
End of Run Screen –
Fabric

Page 108



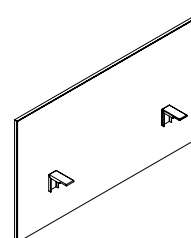
HNBTSS Navigate Single-Sided
End of Run Screen –
Solid

Page 110



HNBLSF Navigate Single-Sided
Corridor Screen – Fabric

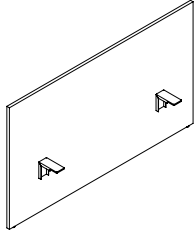
Page 112



navigate casual space division product map

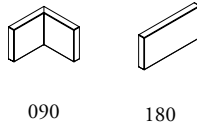
HNBLSS Navigate Single-Sided
Corridor Screen – Solid

Page 114



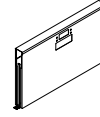
HNBLBS Navigate Single-Sided
Screen Connection
Bracket – Solid

Page 115



HNBCGEMN Navigate End
Gable – Metal

Page 116



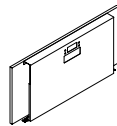
HNBCGEMS Navigate Single-Sided End Gable
– Metal

Page 117



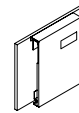
HNBCGESN Navigate End
Gable – Solid

Page 118



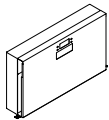
HNBCGESS Navigate Single-Sided End Gable
– Solid

Page 119



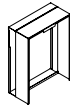
HNBCGSMN Navigate End
Screen Gable -
Metal

Page 120



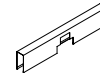
HNBCGSMS Navigate Single-Sided End Screen
Gable – Metal

Page 121



HNBCCEMN Navigate End
Cover – Metal

Page 122



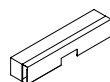
HNBCCEMS Navigate Single-Sided End Cover
– Metal

Page 106



HNBCCSMN Navigate End
Screen Cover -
Metal

Page 124



HNBCCSMS Navigate Single-Sided End Screen
Cover – Metal

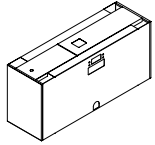
Page 125



navigate casual space division product map

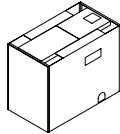
HNBCGMMN Navigate Mid Gable – Metal

Page 126



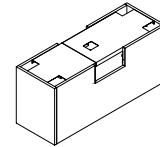
HNBCGMMS Navigate Single-Sided Mid Gable – Metal

Page 127



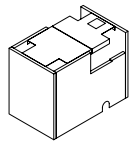
HNBCGMSN Navigate Mid Gable – Solid

Page 128



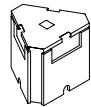
HNBCGMSS Navigate Single-Sided Mid Gable – Solid

Page 129



HNBCGMMT Navigate 120 Mid Gable – Metal

Page 130



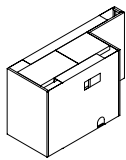
HNBCGMST Navigate 120 Mid Gable – Solid

Page 131



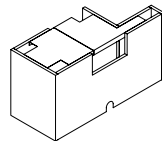
HNBCGMMR Navigate Single-Sided Transition Mid Gable – Metal

Page 132



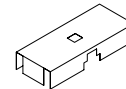
HNBCGMSR Navigate Single-Sided Transition Mid Gable – Solid

Page 133



HNBCMMN Navigate Mid Cover – Metal

Page 134



HNBCCMMS Navigate Single-Sided Mid Cover – Metal

Page 135



HNBCCMMT Navigate 120 Mid Cover – Metal

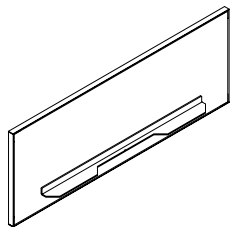
Page 136



navigate casual space division

HNBCDF

Navigate Desk Edge Screen – Fabric



The Navigate Desk Edge Screen - Fabric mounts directly to the worksurface to create privacy and physical separation at any height on a Navigate Height-Adjustable Bench worksurface.

WHAT'S INCLUDED

1 fabric screen, mounting hardware.

NOTES

All Desk Edge Screens mount flush to the rear edge of the worksurface. Desk edge accessories can not be used along the rear edge of the worksurface. Wire management on the surface should be managed by the use of cut outs and grommets (ordered separately).

Worksurfaces should be specified with a resultant depth clearance of 5".

13" Height provides visual privacy when used with Standard Electric base mechanism.

22" Height provides visual privacy when used with Extended Electric base mechanism.

PRODUCT OPTIONS

Height	Width	Screen Finish	Bracket Finish
13, 22	46, 52, 58, 64, 70, 76, 82	P Panel Fabric U Upholstery Fabric	Foundation Mica Accent

SAMPLE ORDER CODE

HNBCDF 13	48	T149	91
------------------	-----------	-------------	-----------

DIMENSIONS INCHES / MM

H	W
13 / 330	46 / 1168
13 / 330	52 / 1321
13 / 330	58 / 1473
13 / 330	64 / 1626
13 / 330	70 / 1778
13 / 330	76 / 1930
13 / 330	82 / 2083
22 / 559	46 / 1168
22 / 559	52 / 1321
22 / 559	58 / 1473
22 / 559	64 / 1626
22 / 559	70 / 1778
22 / 559	76 / 1930
22 / 559	82 / 2083

PRICING

Panel Fabric (P)

A/COM	Gr. 1	Gr. 2	Gr. 3	Gr.4	Gr. 5
763	773	788	835	870	906
809	821	836	893	933	970
867	880	899	964	1006	1051
943	958	977	1050	1100	1150
1060	1078	1100	1180	1235	1290
1013	1031	1057	1144	1205	1264
1116	1136	1161	1256	1322	1390
944	962	984	1068	1128	1186
1017	1036	1064	1161	1231	1296
1112	1133	1165	1274	1353	1429
1197	1221	1256	1380	1467	1551
1279	1307	1346	1484	1579	1672
1347	1379	1420	1569	1673	1779
1433	1465	1511	1673	1788	1899

If Mica/Accent is specified, add 28

Pricing is continued on the following page.

H N B C D F
Navigate Desk Edge Screen – Fabric
(Continued)

DIMENSIONS
INCHES / MM

H	W
13 / 330	46 / 1168
13 / 330	52 / 1321
13 / 330	58 / 1473
13 / 330	64 / 1626
13 / 330	70 / 1778
13 / 330	76 / 1930
13 / 330	82 / 2083
22 / 559	46 / 1168
22 / 559	52 / 1321
22 / 559	58 / 1473
22 / 559	64 / 1626
22 / 559	70 / 1778
22 / 559	76 / 1930
22 / 559	82 / 2083

PRICING

Upholstery Fabric (U)

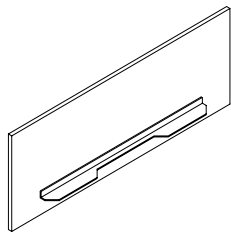
A/COM	Gr. 1	Gr. 2	Gr. 4	Gr. 5	Gr. 6	Gr. 7	Gr. 8	Gr. 9	Gr. 10
766	806	825	849	885	908	929	973	1018	1038
813	858	879	908	951	974	1000	1053	1105	1128
872	925	947	977	1027	1056	1085	1144	1204	1228
948	1005	1031	1066	1121	1153	1186	1250	1317	1346
1065	1131	1159	1201	1260	1293	1329	1404	1478	1509
1018	1090	1121	1166	1233	1269	1308	1390	1470	1505
1122	1202	1234	1279	1353	1394	1436	1523	1611	1650
951	1017	1049	1089	1153	1190	1228	1305	1383	1415
1024	1103	1137	1187	1260	1303	1344	1435	1523	1563
1118	1209	1246	1303	1386	1435	1485	1587	1688	1732
1206	1305	1349	1412	1507	1559	1614	1730	1842	1892
1288	1400	1449	1518	1619	1682	1743	1868	1994	2050
1357	1480	1532	1608	1720	1789	1854	1993	2130	2190
1442	1574	1632	1716	1837	1912	1984	2133	2286	2348

If Mica/Accent is specified, add 28

navigate casual space division

HNBCDS

Navigate Desk Edge Screen – Solid



The Navigate Desk Edge Screen - Solid mounts directly to the worksurface to create privacy and physical separation at any height on a Navigate Height-Adjustable Bench worksurface.

WHAT'S INCLUDED

1 solid screen, mounting hardware.

NOTES

All Desk Edge Screens mount flush to the rear edge of the worksurface. Desk edge accessories can not be used along the rear edge of the worksurface. Wire management on the surface should be managed by the use of cut outs and grommets (ordered separately).

Worksurfaces should be specified with a resultant depth clearance of 5”.

13” Height provides visual privacy when used with Standard Electric base mechanism.

22” Height provides visual privacy when used with Extended Electric base mechanism.

PRODUCT OPTIONS

Height	Width	Surface Finish	Bracket Finish
13, 22	46, 52, 58, 64, 70, 76, 82, 88, 94	Source Laminate Flintwood Natural Veneer	Foundation Mica Accent

SAMPLE ORDER CODE

HNBCDS 13	46	LW	91
------------------	-----------	-----------	-----------

DIMENSIONS INCHES / MM

H	W
13 / 330	46 / 1168
13 / 330	52 / 1321
13 / 330	58 / 1473
13 / 330	64 / 1626
13 / 330	70 / 1778
13 / 330	76 / 1930
13 / 330	82 / 2083
13 / 330	88 / 2235
13 / 330	94 / 2388
22 / 559	46 / 1168
22 / 559	52 / 1321
22 / 559	58 / 1473
22 / 559	64 / 1626
22 / 559	70 / 1778
22 / 559	76 / 1930
22 / 559	82 / 2083
22 / 559	88 / 2235
22 / 559	94 / 2388

PRICING

Source Laminate	Flintwood	Natural Veneer
321	651	636
329	673	701
408	828	739
419	855	806
434	882	885
444	906	922
456	931	962
472	962	1029
485	988	1070
383	789	863
412	885	969
480	938	1027
512	1028	1124
544	1085	1187
580	1190	1303
615	1310	1434
652	1369	1499
690	1459	1595

If Mica/Accent is specified, add 32

The Navigate Desk Edge Screen - Glass mounts directly to the worksurface to create privacy and physical separation at any height on a Navigate Height-Adjustable Bench worksurface.

HNBCDG Navigate Desk Edge Screen – Glass

WHAT'S INCLUDED

1 glass screen, mounting hardware.

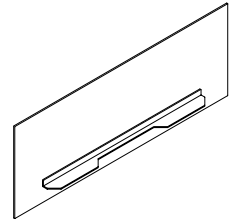
NOTES

All Desk Edge Screens mount flush to the rear edge of the worksurface. Desk edge accessories can not be used along the rear edge of the worksurface. Wire management on the surface should be managed by the use of cut outs and grommets (ordered separately).

Worksurfaces should be specified with a resultant depth clearance of 5".

13" Height provides visual privacy when used with Standard Electric base mechanism.

22" Height provides visual privacy when used with Extended Electric base mechanism.



PRODUCT OPTIONS

Height	Width	Glass Finish	Thickness	Bracket Finish
13, 22	46, 52, 58, 64, 70, 76, 82	CL Clear	1 6mm	Foundation Mica Accent
		FT Frost	2 10mm	

SAMPLE ORDER CODE

HNBCDG 13	46	FT	1	91
------------------	-----------	-----------	----------	-----------

**DIMENSIONS
INCHES / MM**

H	W
13 / 330	46 / 1168
13 / 330	52 / 1321
13 / 330	58 / 1473
13 / 330	64 / 1626
13 / 330	70 / 1778
13 / 330	76 / 1930
13 / 330	82 / 2083
22 / 559	46 / 1168
22 / 559	52 / 1321
22 / 559	58 / 1473
22 / 559	64 / 1626
22 / 559	70 / 1778
22 / 559	76 / 1930
22 / 559	82 / 2083

PRICING

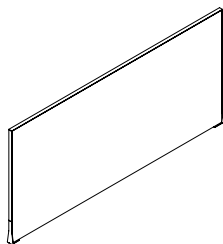
CLEAR (CL)		FROST (FT)	
6mm	10mm	6mm	10mm
550	827	861	1141
617	930	969	1279
690	1042	1088	1438
770	1160	1211	1600
853	1284	1341	1774
937	1413	1473	1950
1027	1536	1603	2112
577	973	1056	1500
648	1094	1184	1684
727	1227	1328	1888
811	1332	1341	1914
892	1465	1473	2104
984	1621	1626	2328
1108	1790	1826	2580

If Mica/Accent is specified, add 51

navigate casual space division

HNBCFF

Navigate Fixed Center Screen – Fabric



The Navigate Fixed Center Screen - Fabric attaches to the accessory beam element of the Navigate Wire Channel (HNBFCN) and provides casual privacy and space division.

WHAT'S INCLUDED

1 fabric fixed center screen, mounting hardware.

NOTES

A Navigate Wire Channel (HNBFCN) must be specified to mount a Fixed Center Screen.

51" top datum height.

Screen is 33" tall, width as specified.

Worksurfaces should be specified with a resultant depth clearance of 3".

Full Style screens overhang beyond covers/gables but are set in from the worksurface lateral edge.

PRODUCT OPTIONS

Height	Width	Style	Screen Finish	Trim Finish
51	46, 52, 58, 64, 70, 76, 82	I Inset	P Panel Fabric U Upholstery Fabric	Foundation Mica Accent

SAMPLE ORDER CODE

HNBCFF 51	70	I	T149	91
------------------	-----------	----------	-------------	-----------

DIMENSIONS INCHES / MM

H	W
51 / 1295	46 / 1168
51 / 1295	52 / 1321
51 / 1295	58 / 1473
51 / 1295	64 / 1626
51 / 1295	70 / 1778
51 / 1295	76 / 1930
51 / 1295	82 / 2083

PRICING

Panel Fabric (P)

A/COM	Gr. 1	Gr. 2	Gr. 3	Gr.4	Gr. 5
941	962	988	1088	1158	1227
1013	1036	1068	1184	1263	1342
1108	1133	1169	1298	1390	1480
1194	1221	1262	1408	1508	1608
1274	1307	1353	1511	1621	1734
1342	1379	1427	1600	1721	1842
1427	1465	1518	1708	1837	1969

Upholstery Fabric (U)

COM/Gr.1	Gr. 2	Gr. 3	Gr. 4	Gr. 5	Gr. 6	Gr. 7	Gr. 8	Gr. 9	Gr. 10
948	1029	1063	1114	1189	1234	1277	1368	1462	1500
1021	1115	1155	1212	1297	1349	1400	1508	1611	1658
1116	1220	1266	1332	1430	1488	1544	1663	1784	1834
1203	1320	1369	1443	1551	1616	1682	1813	1948	2004
1285	1415	1471	1550	1670	1743	1813	1960	2107	2169
1354	1495	1557	1645	1776	1853	1931	2093	2252	2321
1440	1592	1659	1755	1897	1982	2067	2241	2415	2489

If Mica/Accent is specified, add 28

The Navigate Fixed Center Screen - Solid attaches to the accessory beam element of the Navigate Wire Channel (HNBFCN) and provides casual privacy and space division.

H N B C F S

Navigate Fixed Center Screen – Solid

WHAT'S INCLUDED

1 solid fixed center screen, mounting hardware.

NOTES

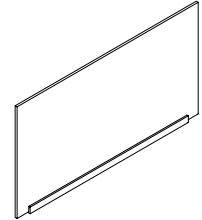
A Navigate Wire Channel (HNBFCN) must be specified to mount a Fixed Center Screen.

51" top datum height.

Screen is 33" tall, width as specified.

Worksurfaces should be specified with a resultant depth clearance of 3".

Full Style screens overhang beyond covers/gables but are set in from the worksurface lateral edge.



PRODUCT OPTIONS

Height	Width	Style	Screen Finish	Trim Finish
51	46, 52, 58, 64, 70, 76, 82, 88, 94	F Full I Inset	Source Laminate Flintwood Natural Veneer	Foundation Mica Accent

SAMPLE ORDER CODE

HNBCFS 51	52	F	FB	91
------------------	-----------	----------	-----------	-----------

**DIMENSIONS
INCHES / MM**

H	W
51 / 1295	46 / 1168
51 / 1295	52 / 1321
51 / 1295	58 / 1473
51 / 1295	64 / 1626
51 / 1295	70 / 1778
51 / 1295	76 / 1930
51 / 1295	82 / 2083
51 / 1295	88 / 2235
51 / 1295	94 / 2388

PRICING

INSET (I)			FULL (F)		
Source Laminate	Flintwood Screen	Natural Veneer	Source Laminate	Flintwood Screen	Natural Veneer
512	855	986	624	1042	1204
551	919	1061	673	1121	1295
672	1117	1291	732	1244	1440
689	1151	1329	798	1369	1582
730	1216	1404	868	1508	1742
759	1264	1462	948	1566	1808
807	1349	1558	1032	1691	1953
856	1429	1648	1086	1777	2052
886	1480	1711	1139	1829	2112

If Mica/Accent is specified, add 55

navigate casual space division

H N B C F G

Navigate Fixed Center Screen – Glass

The Navigate Fixed Center Screen - Glass attaches to the accessory beam element of the Navigate Wire Channel (HNBFCN) and provides casual privacy and space division.

WHAT'S INCLUDED

1 glass fixed center screen, mounting hardware.

NOTES

A Navigate Wire Channel (HNBFCN) must be specified to mount a Fixed Center Screen.

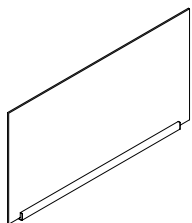
51" top datum height.

Screen is 33" tall, width as specified.

Worksurfaces should be specified with a resultant depth clearance of 3".

Full Style screens overhang beyond covers/gables but are set in from the worksurface lateral edge.

10mm glass thickness.



PRODUCT OPTIONS

Height	Width	Style	Glass Finish	Trim Finish
51	46, 52, 58, 64, 70, 76, 82	F Full I Inset	CL Clear FT Frost	Foundation Mica Accent

SAMPLE ORDER CODE

HNBCFG 51	46	F	FB	91
------------------	-----------	----------	-----------	-----------

DIMENSIONS INCHES / MM

H	W
51 / 1295	46 / 1168
51 / 1295	52 / 1321
51 / 1295	58 / 1473
51 / 1295	64 / 1626
51 / 1295	70 / 1778
51 / 1295	76 / 1930
51 / 1295	82 / 2083

PRICING

INSET (I)		FULL (F)	
Clear Glass	Frost Glass	Clear Glass	Frost Glass
860	1532	1050	1869
973	1735	1189	2119
1080	1924	1318	2349
1196	2130	1460	2601
1308	2332	1598	2851
1423	2538	1739	3098
1538	2739	1873	3338

If Mica/Accent is specified, add 68

The Infinity Screen Alignment clip can be placed to align two Infinity screens together.

G X C C

WHAT'S INCLUDED
2 alignment clips, 1 hardware

Infinity Screen Alignment Clip



PRODUCT OPTIONS

Hardware Finish
Foundation
Mica
Accent

SAMPLE ORDER CODE

GXCC 74

PRICING

Foundation	Mica/ Accent
41	48

navigate casual space division

HNBTEF

Navigate End of Run Screen – Fabric

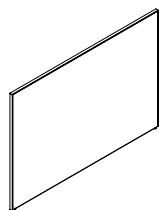
The Navigate End of Run Screen - Fabric attaches to the end leg brace of a Navigate Height-Adjustable Bench Double-Sided or 120 style station and provides casual privacy and space division.

WHAT'S INCLUDED

1 fabric end of run screen, mounting hardware.

NOTES

Navigate End Screen Cover/Gable must be specified to conceal mounting brackets.



PRODUCT OPTIONS

Height	Width	Screen Finish	Trim Finish
42, 51	48, 60, 72	P Panel Fabric U Upholstery Fabric	Foundation Mica Accent

SAMPLE ORDER CODE

HNBTEF 51	72	T149	91
------------------	-----------	-------------	-----------

DIMENSIONS INCHES / MM

W	H
42 / 1067	48 / 1219
42 / 1067	60 / 1524
42 / 1067	72 / 1829
51 / 1295	48 / 1219
51 / 1295	60 / 1524
51 / 1295	72 / 1829

W	H
42 / 1067	48 / 1219
42 / 1067	60 / 1524
42 / 1067	72 / 1829
51 / 1295	48 / 1219
51 / 1295	60 / 1524
51 / 1295	72 / 1829

PRICING

PANEL FABRIC (P)

Gr.A/COM	Gr. 1	Gr. 2	Gr. 3	Gr. 4	Gr. 5
1424	1456	1495	1647	1752	1858
1625	1662	1716	1905	2038	2170
1815	1864	1927	2154	2308	2471
1465	1499	1539	1695	1804	1913
1668	1708	1761	1956	2094	2230
1864	1914	1980	2213	2373	2539

UPHOLSTERY FABRIC (U)

COM/Gr. 1	Gr. 2	Gr. 3	Gr. 4	Gr. 5	Gr. 6	Gr. 7	Gr. 8	Gr. 9	Gr. 10
1444	1567	1619	1696	1812	1879	1946	2083	2226	2284
1645	1800	1865	1963	2109	2194	2277	2453	2630	2703
1835	2021	2100	2213	2386	2489	2589	2800	3009	3100
1485	1611	1666	1745	1864	1934	2002	2144	2290	2349
1688	1847	1914	2014	2162	2250	2336	2517	2699	2776
1884	2074	2156	2272	2450	2555	2659	2874	3089	3181

If Mica/Accent is specified, add 39

The Navigate End of Run Screen – Solid attaches to the end leg brace of a Navigate Height-Adjustable Bench Double-Sided or 120 style station and provides casual privacy and space division.

H N B T E S

Navigate End of Run Screen – Solid

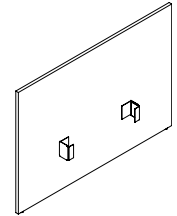
WHAT'S INCLUDED

1 solid end of run screen, mounting hardware.

NOTES

Navigate End Screen Cover/Gable must be specified to conceal mounting brackets.

Flintwood and Natural Veneer Screen Finishes are not available on 51" Height screens.



PRODUCT OPTIONS

Height	Width	Screen Finish
29, 42, 51	48, 60, 72	Source Laminate Flintwood Natural Veneer

SAMPLE ORDER CODE

HNBTES 51	72	FB
------------------	-----------	-----------

**DIMENSIONS
INCHES / MM**

H	W
29 / 737	48 / 1219
29 / 737	60 / 1524
29 / 737	72 / 1829
42 / 1067	48 / 1219
42 / 1067	60 / 1524
42 / 1067	72 / 1829
51 / 1295	48 / 1219
51 / 1295	60 / 1524
51 / 1295	72 / 1829

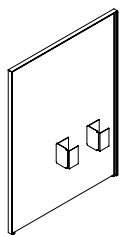
PRICING

Source Laminate	Flintwood Screen	Natural Veneer
448	1060	1110
505	1227	1285
571	1402	1469
590	1225	1283
668	1416	1484
756	1618	1695
690	1433	1501
780	n/a	n/a
884	n/a	n/a

navigate casual space division

H N B T S F

Navigate Single-Sided End of Run Screen – Fabric



The Navigate Single-Sided End of Run Screen – Fabric attaches to the end leg brace of a Navigate Height-Adjustable Bench Single-Sided station and provides casual privacy and space division.

WHAT'S INCLUDED

1 fabric end of run screen, mounting hardware.

NOTES

Navigate Single-Sided End Screen Gable/Cover must be specified to conceal mounting brackets.

When specifying the screen, match the screen depth to specified frame depth.

PRODUCT OPTIONS

Height	Width	Orientation	Connector	Screen Finish	Trim Finish
42, 51	24, 30	L Left R Right	N None Y Yes	P Panel Fabric U Upholstery Fabric	Foundation Mica Accent

SAMPLE ORDER CODE

HNBTSF 51	24	L	Y	T149	91
------------------	-----------	----------	----------	-------------	-----------

DIMENSIONS INCHES / MM

W	H
42 / 1067	24 / 610
42 / 1067	30 / 762
51 / 1295	24 / 610
51 / 1295	30 / 762
42 / 1067	24 / 610
42 / 1067	30 / 762
51 / 1295	24 / 610
51 / 1295	30 / 762

PRICING

NO CONNECTOR

PANEL FABRIC (P)

Gr.A/COM	Gr. 1	Gr. 2	Gr. 3	Gr. 4	Gr. 5
962	976	996	1068	1118	1168
1046	1064	1089	1177	1238	1298
994	1007	1029	1101	1151	1202
1130	1147	1173	1261	1321	1383

UPHOLSTERY FABRIC (U)

COM/Gr. 1	Gr. 2	Gr. 3	Gr. 4	Gr. 5	Gr. 6	Gr. 7	Gr. 8	Gr. 9	Gr. 10
966	1025	1051	1087	1141	1173	1205	1270	1337	1366
1053	1124	1155	1201	1266	1305	1343	1423	1505	1539
999	1057	1083	1118	1173	1205	1237	1304	1369	1398
1136	1208	1238	1283	1349	1387	1427	1508	1588	1622

If Mica/Accent is specified, add 13

Pricing is continued on the following page.

H N B T S F
Navigate Single-Sided End of Run
Screen – Fabric (Continued)

DIMENSIONS
INCHES / MM

W	H
42 / 1067	24 / 610
42 / 1067	30 / 762
51 / 1295	24 / 610
51 / 1295	30 / 762
42 / 1067	24 / 610
42 / 1067	30 / 762
51 / 1295	24 / 610
51 / 1295	30 / 762

PRICING

WITH CONNECTOR

PANEL FABRIC (P)

Gr.A/COM	Gr. 1	Gr. 2	Gr. 3	Gr. 4	Gr. 5
981	995	1015	1088	1138	1188
1065	1085	1109	1196	1257	1318
1018	1032	1054	1126	1176	1226
1155	1173	1197	1285	1346	1408

UPHOLSTERY FABRIC (U)

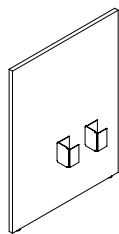
COM/Gr. 1	Gr. 2	Gr. 3	Gr. 4	Gr. 5	Gr. 6	Gr. 7	Gr. 8	Gr. 9	Gr. 10
985	1043	1070	1107	1160	1191	1225	1291	1357	1386
1071	1144	1175	1218	1285	1324	1363	1443	1523	1559
1024	1082	1108	1144	1197	1231	1262	1328	1394	1423
1160	1233	1263	1307	1373	1413	1452	1532	1612	1647

If Mica/Accent is specified, add 13

navigate casual space division

H N B T S S

Navigate Single-Sided End of Run Screen – Solid



The Navigate Single-Sided End of Run Screen – Solid attaches to the end leg brace of a Navigate Height-Adjustable Bench Single-Sided station and provides casual privacy and space division.

WHAT'S INCLUDED

1 solid end of run screen, mounting hardware.

NOTES

Navigate Single-Sided End Screen Gable/Cover must be specified to conceal mounting brackets.

When specifying the screen, match the screen depth to specified frame depth.

PRODUCT OPTIONS

Height	Width	Orientation	Screen Finish
42, 51	24, 30	L Left R Right	Source Laminate Flintwood Natural Veneer

SAMPLE ORDER CODE

HNB TSS 51	24	L	FB
-------------------	-----------	----------	-----------

DIMENSIONS INCHES / MM

H	W
42 / 1067	24 / 610
42 / 1067	30 / 762
51 / 1295	24 / 610
51 / 1295	30 / 762

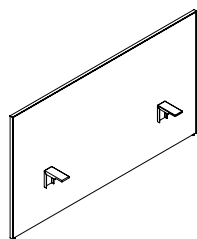
PRICING

Source Laminate	Flintwood Screen	Natural Veneer
416	813	851
447	907	948
491	951	996
525	1018	1065

navigate casual space division

HNBSF

Navigate Single-Sided Corridor Screen – Fabric



The Navigate Single-Sided Corridor Screen – Fabric attaches to the accessory beam element of the Navigate Wire Channel (HNBFCN) and provides casual privacy and space division.

WHAT'S INCLUDED

1 fabric single-sided corridor screen, mounting hardware.

NOTES

When specifying the screen, the screen width should be frame width plus 2".

PRODUCT OPTIONS

Height	Width	Screen Finish	Trim Finish
42, 51	48, 54, 60, 66, 72, 78, 84, 90, 96	P Panel Fabric U Upholstery Fabric	Foundation Mica Accent

SAMPLE ORDER CODE

HNBSF 51	72	T149	91
----------	----	------	----

DIMENSIONS INCHES / MM

W	H
42 / 1067	48 / 1219
42 / 1067	54 / 1372
42 / 1067	60 / 1524
42 / 1067	66 / 1676
42 / 1067	72 / 1829
42 / 1067	78 / 1981
42 / 1067	84 / 2134
42 / 1067	90 / 2286
42 / 1067	96 / 2438
51 / 1295	48 / 1219
51 / 1295	54 / 1372
51 / 1295	60 / 1524
51 / 1295	66 / 1676
51 / 1295	72 / 1829
51 / 1295	78 / 1981
51 / 1295	84 / 2134
51 / 1295	90 / 2286
51 / 1295	96 / 2438

PRICING

PANEL FABRIC (P)

Gr.A/COM	Gr. 1	Gr. 2	Gr. 3	Gr. 4	Gr. 5
1390	1416	1455	1589	1683	1775
1569	1600	1641	1791	1895	1999
1600	1633	1680	1844	1960	2073
1745	1783	1833	2013	2139	2263
1776	1817	1871	2067	2203	2340
1938	1984	2043	2257	2406	2555
1971	2018	2081	2311	2471	2632
2002	2052	2119	2365	2536	2709
2035	2086	2158	2420	2600	2785
1419	1445	1484	1618	1712	1805
1598	1630	1670	1820	1924	2028
1630	1662	1709	1873	1989	2102
1774	1812	1862	2042	2168	2292
1806	1846	1899	2096	2232	2369
2270	2320	2391	2641	2815	2990
2306	2362	2435	2705	2891	3080
2343	2401	2480	2768	2966	3169
2379	2442	2524	2832	3042	3258

If Mica/Accent is specified, add 28

Pricing is continued on the following page.

H N B L S F
Navigate Single-Sided Corridor
Screen – Fabric (Continued)

DIMENSIONS
INCHES / MM

W	H
42 / 1067	48 / 1219
42 / 1067	54 / 1372
42 / 1067	60 / 1524
42 / 1067	66 / 1676
42 / 1067	72 / 1829
42 / 1067	78 / 1981
42 / 1067	84 / 2134
42 / 1067	90 / 2286
42 / 1067	96 / 2438
51 / 1295	48 / 1219
51 / 1295	54 / 1372
51 / 1295	60 / 1524
51 / 1295	66 / 1676
51 / 1295	72 / 1829
51 / 1295	78 / 1981
51 / 1295	84 / 2134
51 / 1295	90 / 2286
51 / 1295	96 / 2438

PRICING

UPHOLSTERY FABRIC (U)

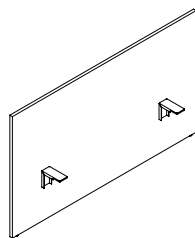
COM/Gr. 1	Gr. 2	Gr. 3	Gr. 4	Gr. 5	Gr. 6	Gr. 7	Gr. 8	Gr. 9	Gr. 10
1398	1508	1554	1622	1724	1784	1843	1966	2091	2143
1580	1701	1755	1829	1942	2009	2074	2214	2350	2410
1610	1745	1803	1887	2011	2085	2159	2310	2463	2526
1757	1904	1966	2058	2194	2275	2356	2522	2689	2758
1789	1949	2018	2116	2263	2350	2438	2620	2801	2878
1953	2127	2203	2311	2472	2567	2663	2862	3059	3144
1985	2172	2255	2369	2542	2642	2748	2959	3170	3263
2016	2217	2306	2427	2611	2719	2833	3059	3282	3383
2049	2261	2358	2485	2682	2796	2916	3158	3394	3502
1429	1537	1583	1651	1752	1813	1872	1995	2119	2172
1609	1731	1784	1859	1971	2038	2103	2243	2379	2439
1639	1774	1833	1916	2040	2114	2188	2339	2492	2555
1786	1934	1995	2087	2223	2304	2384	2551	2718	2787
1818	1978	2046	2145	2292	2379	2467	2649	2830	2907
2285	2489	2579	2705	2892	3003	3117	3349	3577	3677
2322	2542	2638	2772	2973	3093	3216	3464	3710	3819
2361	2594	2698	2840	3054	3181	3314	3577	3840	3957
2397	2645	2758	2907	3135	3270	3413	3693	3972	4097

If Mica/Accent is specified, add 28

navigate casual space division

HNBLSS

Navigate Single-Sided Corridor Screen – Solid



The Navigate Single-Sided Corridor Screen – Solid attaches to the accessory beam element of the Navigate Wire Channel (HNBFCN) and provides casual privacy and space division.

WHAT'S INCLUDED

1 solid corridor screen, mounting hardware.

NOTES

When specifying the screen, the screen width should be frame width plus 2".

Flintwood and Natural Veneer Screen Finishes are not available on 51" Height screens.

PRODUCT OPTIONS

Height	Width	Screen Finish	Bracket Finish
42, 51	48, 54, 60, 66, 72, 78, 84, 90, 96	Source Laminate Flintwood Natural Veneer	Foundation Mica Accent

SAMPLE ORDER CODE

HNBLSS 51	72	FB	60
------------------	-----------	-----------	-----------

DIMENSIONS INCHES / MM

H	W
42 / 1067	48 / 1219
42 / 1067	54 / 1372
42 / 1067	60 / 1524
42 / 1067	66 / 1676
42 / 1067	72 / 1829
42 / 1067	78 / 1981
42 / 1067	84 / 2134
42 / 1067	90 / 2286
42 / 1067	96 / 2438
51 / 1295	48 / 1219
51 / 1295	54 / 1372
51 / 1295	60 / 1524
51 / 1295	66 / 1676
51 / 1295	72 / 1829
51 / 1295	78 / 1981
51 / 1295	84 / 2134
51 / 1295	90 / 2286
51 / 1295	96 / 2438

PRICING

Source Laminate	Flintwood Screen	Natural Veneer
590	1225	1283
629	1317	1379
668	1416	1484
711	1516	1588
756	1618	1695
897	1840	1927
977	1989	2081
1028	2089	2187
1079	2151	2250
694	1438	1505
738	n/a	n/a
783	n/a	n/a
835	n/a	n/a
886	n/a	n/a
1053	n/a	n/a
1147	n/a	n/a
1206	n/a	n/a
1266	n/a	n/a

If Mica/Accent is specified, add 24

The Navigate Single-Sided Solid Screen Connection Bracket is used to assist in alignment and gap control of side-by-side (180) or corner (90) screen units.

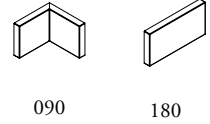
WHAT'S INCLUDED

Selected connection bracket, mounting hardware.

NOTES

Please ensure to predrill as this is a field installation and no pilot holes will be included on the screening.

HNBLBS
Navigate Single-Sided Screen
Connection Bracket – Solid



PRODUCT OPTIONS

Connection Style	Bracket Finish
090, 180	Foundation Mica Accent

SAMPLE ORDER CODE

HNBLBS 180	60
-------------------	-----------

DIMENSIONS
INCHES / MM

PRICING

Connection Style	Foundation	Mica/Accent
090	59	63
180	59	63

navigate casual space division

HNBCGEMN

Navigate End Gable – Metal

The Navigate End Gable - Metal attaches to the Navigate Height-Adjustable Bench Frame or 120 Frame leg brace to create additional privacy between the bench and a corridor as well as a physical enclosure between adjustable leg columns to the floor.

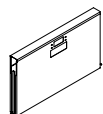
WHAT'S INCLUDED

1 metal outer gable, 1 metal inner gable, mounting hardware.

NOTES

End Gable is outward facing and does not wrap around the leg columns.

Cannot be used with Power Pole (HNBEPP).



PRODUCT OPTIONS

Depth	Wire Channel Provision	Gable Finish
48, 60, 72	B Dual-Sided - Standard	Foundation Mica Accent

SAMPLE ORDER CODE

HNBCGEMN 48	B	91
--------------------	----------	-----------

DIMENSIONS INCHES / MM

D
48 / 1219
60 / 1524
72 / 1829

PRICING

	Foundation	Mica/Accent
	200	210
	281	292
	349	360

Navigate Single-Sided End Gable – Metal attaches to the Navigate Single-Sided Frame leg brace to create additional privacy between the bench and a corridor as well as a physical enclosure between adjustable leg columns to the floor.

HNBCGEMS

Navigate Single-Sided End Gable – Metal

WHAT'S INCLUDED

1 metal outer gable, 1 metal inner gable, mounting hardware.

NOTES

A Navigate Wire Channel (HNBFCN) must be specified to mount a Fixed Center Single-Sided End Gable outward facing and does not wrap around the leg columns.

Cannot be used with Power Pole (HNBEPP).



PRODUCT OPTIONS

Depth	Orientation	Gable Finish
24, 30	L Left R Right	Foundation Mica Accent

SAMPLE ORDER CODE

HNBCGEMS 24	R	91
--------------------	----------	-----------

**DIMENSIONS
INCHES / MM**

D
24 / 610
30 / 762

PRICING

Foundation	Mica/Accent
147	158
165	175

navigate casual space division

HNBCGESN

Navigate End Gable – Solid

The Navigate End Gable - Solid attaches to the Navigate Height-Adjustable Bench Frame or 120 Frame leg brace to create additional privacy between the bench and a corridor as well as a physical enclosure between adjustable leg columns to the floor.

WHAT'S INCLUDED

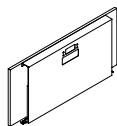
1 solid outer gable, 1 metal inner gable, mounting hardware.

NOTES

Outward facing gable is solid and does not wrap around the leg columns.

Inner facing gable is metal and does not wrap around the leg columns.

Cannot be used with Power Pole (HNBEPP).



PRODUCT OPTIONS

Depth	Wire Channel Provision	Outer Gable Finish	Inner Gable Finish
48, 60, 72	B Dual-Sided - Standard	Source Laminate Flintwood Natural Veneer	Foundation Mica Accent

SAMPLE ORDER CODE

HNBCGESN 60	B	LW	91
--------------------	----------	-----------	-----------

DIMENSIONS INCHES / MM

D
48 / 1219
60 / 1524
72 / 1829

PRICING

Source	Flintwood	Veneer
Laminate		
455	708	738
476	771	805
494	829	867

If Mica/Accent is specified, add 23

Navigate Single-Sided End Gable – Solid attaches to the Navigate Single-Sided Frame leg brace to create additional privacy between the bench and a corridor as well as a physical enclosure between adjustable leg columns to the floor.

HNBCGESS

Navigate Single-Sided End Gable – Solid

WHAT'S INCLUDED

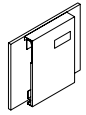
1 solid outer gable, 1 metal inner gable, mounting hardware.

NOTES

Outward facing gable is solid and does not wrap around the leg columns.

Inner facing gable is metal and does not wrap around the leg columns.

Cannot be used with Power Pole (HNBEPP).



PRODUCT OPTIONS

Depth	Orientation	Outer Gable Finish	Inner Gable Finish
24, 30	L Left	Source Laminate	Foundation
	R Right	Flintwood Natural Veneer	Mica Accent

SAMPLE ORDER CODE

HNBCGESS 24	R	LW	91
--------------------	----------	-----------	-----------

**DIMENSIONS
INCHES / MM**

D
24 / 610
30 / 762

PRICING

Source	Flintwood	Veneer
Laminate	413	602
	579	638

If Mica/Accent is specified, add 22

navigate casual space division

HNBCGSMN

Navigate End Screen Gable – Metal

The Navigate End Screen Gable - Metal attaches to and conceals the Navigate Height-Adjustable Bench Frame or 120 Frame leg brace and Navigate End of Run Screen bracket to between the bench and the end screen to the floor.

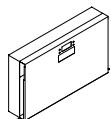
WHAT'S INCLUDED

1 metal perimeter gable, 1 metal inner gable, mounting hardware.

NOTES

Perimeter gable is user and top facing and does not wrap around the leg columns.

Inner gable does not wrap around the leg columns.



PRODUCT OPTIONS

Depth	End Screen Style	Wire Channel Provision	Gable Finish
48, 60, 72	U Universal	B Dual-Sided - Standard	Foundation Mica Accent

SAMPLE ORDER CODE

HNBCGSMN 48	U	B	91
--------------------	----------	----------	-----------

DIMENSIONS INCHES / MM

D
48 / 1219
60 / 1524
72 / 1829

PRICING

	Foundation	Mica/Accent
	298	314
	420	442
	524	551

Navigate Single-Sided End Screen Gable – Metal attaches to and conceals the Navigate Single-Sided Frame leg brace and Navigate Single-Sided End of Run Screen bracket between the bench and the end screen to the floor.

H N B C G S M S
Navigate Single-Sided End Screen Gable – Metal

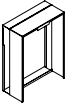
WHAT'S INCLUDED

1 metal perimeter gable, 1 metal inner gable, mounting hardware.

NOTES

Perimeter gable is user and top facing and does not wrap around the leg columns.

Inner gable does not wrap around the leg columns.



PRODUCT OPTIONS

Depth	Orientation	Gable Finish
24, 30	L Left R Right	Foundation Mica Accent

SAMPLE ORDER CODE

HNBCGSMS 24	R	91
--------------------	----------	-----------

**DIMENSIONS
INCHES / MM**

D
24 / 610
30 / 762

PRICING

Foundation	Mica/Accent
211	224
233	244

navigate casual space division

HNBCCEMN

Navigate End Cover – Metal

The Navigate End Cover - Metal attaches to and conceals the Navigate Height-Adjustable Bench Frame or 120 Frame leg brace at the start or end of a run.

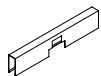
WHAT'S INCLUDED

1 metal cover, mounting hardware.

NOTES

End Cover does not wrap around the leg columns.

Must be used with Power Pole, End Condition (HNBEPP).



PRODUCT OPTIONS

Depth	Wire Channel Provision	Cover Finish
48, 60, 72	B Dual-Sided - Standard	Foundation Mica Accent

SAMPLE ORDER CODE

HNBCCEMN 48	B	91
--------------------	----------	-----------

DIMENSIONS INCHES / MM

D
48 / 1219
60 / 1524
72 / 1829

PRICING

	Foundation	Mica/Accent
	92	96
	107	111
	118	124

Navigate Single-Sided End Cover – Metal attaches to and conceals the Navigate Single-Sided Frame leg brace at the start or end of a run.

H N B C C E M S

Navigate Single-Sided End Cover – Metal

WHAT'S INCLUDED

1 metal cover, mounting hardware.

NOTES

Single-Sided End Cover does not wrap around the leg columns.

Must be used with Power Pole, End Condition (HNBEPP).



PRODUCT OPTIONS

Depth	Orientation	Gable Finish
24, 30	L Left R Right	Foundation Mica Accent

SAMPLE ORDER CODE

HNBCCEMS 24	R	91
--------------------	----------	-----------

**DIMENSIONS
INCHES / MM**

D
24 / 610
30 / 762

PRICING

Foundation	Mica/Accent
71	79
80	85

navigate casual space division

HNBCCSMN

Navigate End Screen Cover – Metal

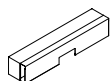
The Navigate End Screen Cover - Metal attaches to and conceals the Navigate Height-Adjustable Bench Frame or 120 Frame leg brace and Navigate End of Run Screen bracket to conceal the bracket between the bench and the end screen.

WHAT'S INCLUDED

1 metal cover, mounting hardware.

NOTES

Cover does not wrap around the leg columns.



PRODUCT OPTIONS

Depth	End Screen Style	Wire Channel Provision	Cover Finish
48, 60, 72	U Universal	B Dual-Sided - Standard	Foundation Mica Accent

SAMPLE ORDER CODE

HNBCCSMN 48	U	B	91
--------------------	----------	----------	-----------

DIMENSIONS INCHES / MM

D
48 / 1219
60 / 1524
72 / 1829

PRICING

	Foundation Gable	Mica/Accent Gable
	118	124
	131	139
	145	151

Navigate Single-Sided End Screen Cover – Metal attaches to and conceals the Navigate Single-Sided Frame leg brace and Navigate Single-Sided End of Run Screen bracket to conceal the bracket between the bench and the end screen.

H N B C C S M S
Navigate Single-Sided End Screen Cover – Metal

WHAT'S INCLUDED

1 metal cover, mounting hardware.

NOTES

Cover does not wrap around the leg columns.



PRODUCT OPTIONS

Depth	Orientation	Gable Finish
24, 30	L Left R Right	Foundation Mica Accent

SAMPLE ORDER CODE

HNBCCSMS 24	R	91
--------------------	----------	-----------

**DIMENSIONS
INCHES / MM**

D
24 / 610
30 / 762

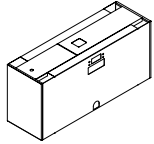
PRICING

Foundation	Mica/Accent
92	96
97	106

navigate casual space division

HNBCGMMN

Navigate Mid Gable – Metal



The Navigate Mid Gable - Metal attaches to the Navigate Height-Adjustable Bench Frame leg brace in the mid locations in a run to create additional privacy between stations, conceal electrics and create a physical enclosure between adjustable leg columns to the floor.

WHAT'S INCLUDED

2 metal front gables, 2 metal side gables, 1 2-piece metal top plate, mounting hardware.

NOTES

Mid Gable - Metal wraps around the leg columns.

Power Pole provision must be specified for use with Power Pole, Mid Condition - Standard (HNBEPP).

PRODUCT OPTIONS

Depth	Power Pole	Base Feed	Wire Channel Provision	Finish
48, 60, 72	1 Yes 2 No	1 Yes 2 No	B Dual-Sided - Standard	Foundation Mica Accent

SAMPLE ORDER CODE

HNBCGMMN 60	1	2	B	91
--------------------	----------	----------	----------	-----------

DIMENSIONS INCHES / MM

D
48 / 1219
60 / 1524
72 / 1829

PRICING

WITHOUT POWER POLE (2)

NO BASE FEED

Foundation Mica/Accent

307	324
333	351
362	382

BASE FEED

Foundation Mica/Accent

346	361
372	389
399	418

WITH POWER POLE (1)

NO BASE FEED

Foundation Mica/Accent

346	361
372	389
399	418

BASE FEED

Foundation Mica/Accent

379	397
406	425
435	456

Navigate Single-Sided Mid Gable – Metal attaches to the Navigate Single-Sided Frame leg brace in the mid locations in a run to create additional privacy between stations, conceal electrics and create a physical enclosure between adjustable leg columns to the floor.

H N B C G M M S

Navigate Single-Sided Mid Gable – Metal

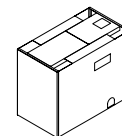
WHAT'S INCLUDED

2 metal front gables, 2 metal side gables, 1 2-piece metal top plate, mounting hardware.

NOTES

Single-Sided Mid Gable – Metal wraps around the leg columns.

Power Pole provision must be specified for use with Power Pole, Mid Condition - Single-Sided (HNBEPSS).



PRODUCT OPTIONS

Depth	Power Pole	Base Feed	Finish
24, 30	1 Yes	1 Yes	Foundation Mica Accent
	2 No	2 No	

SAMPLE ORDER CODE

HNBCGMMS 24	1	2	91
--------------------	----------	----------	-----------

**DIMENSIONS
INCHES / MM**

D
24 / 610
30 / 762

PRICING

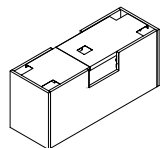
WITHOUT POWER POLE (2)			
NO BASE FEED		BASE FEED	
Foundation	Mica/Accent	Foundation	Mica/Accent
256	273	290	307
268	288	302	321

WITH POWER POLE (1)			
NO BASE FEED		BASE FEED	
Foundation	Mica/Accent	Foundation	Mica/Accent
290	307	324	343
302	321	336	355

navigate casual space division

HNBCGMSN

Navigate Mid Gable – Solid



The Navigate Mid Gable - Solid attaches to the Navigate Height-Adjustable Bench Frame leg brace in the mid locations in a run to create additional privacy between stations, conceal electrics and create a physical enclosure between adjustable leg columns to the floor.

WHAT'S INCLUDED

2 solid front gables, 2 solid side gables, 1 2-piece metal top plate, mounting hardware.

NOTES

Mid Gable - Solid wraps around the leg columns.

Power Pole provision must be specified for use with Power Pole, Mid Condition - Standard (HNBEPP).

PRODUCT OPTIONS

Depth	Power Pole	Base Feed	Wire Channel Provision	Outer Gable Finish	Inner Gable Finish
48, 60, 72	1 Yes 2 No	1 Yes 2 No	B Dual-Sided - Standard	Source Laminate Flintwood Natural Veneer	Foundation Mica Accent

SAMPLE ORDER CODE

HNBCGMSN 48	1	2	B	VZ	91
-------------	---	---	---	----	----

DIMENSIONS INCHES / MM

D
48 / 1219
60 / 1524
72 / 1829

PRICING

WITHOUT POWER POLE (2)						
NO BASE FEED			BASE FEED			
Source Laminate	Flintwood	Natural Veneer	Source Laminate	Flintwood	Natural Veneer	
929	1916	2011	999	1985	2086	
958	1982	2081	1063	2086	2192	
986	2049	2152	1128	2188	2299	

WITH POWER POLE (1)						
NO BASE FEED			BASE FEED			
Source Laminate	Flintwood	Natural Veneer	Source Laminate	Flintwood	Natural Veneer	
999	1985	2086	1068	2056	2160	
1063	2086	2192	1132	2158	2268	
1128	2188	2299	1196	2259	2372	

If Mica/Accent is specified, add 59

Navigate Single-Sided Mid Gable – Solid attaches to the Navigate Single-Sided Frame leg brace in the mid locations in a run to create additional privacy between stations, conceal electrics and create a physical enclosure between adjustable leg columns to the floor.

H N B C G M S S

Navigate Single-Sided Mid Gable – Solid

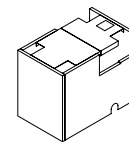
WHAT'S INCLUDED

2 solid front gables, 2 solid side gables, 1 2-piece metal top plate, mounting hardware.

NOTES

Mid Gable – Solid wraps around the leg columns.

Power Pole provision must be specified for use with Power Pole, Mid Condition - Single-Sided (HNBEPPS).



PRODUCT OPTIONS

Depth	Power Pole	Base Feed	Outer Gable Finish	Inner Gable Finish
24, 30	1 Yes	1 Yes	Source Laminate	Foundation
	2 No	2 No	Flintwood Natural Veneer	Mica Accent

SAMPLE ORDER CODE

HNBCGMSS 24	1	2	VZ	91
--------------------	----------	----------	-----------	-----------

**DIMENSIONS
INCHES / MM**

D
24 / 610
30 / 762

PRICING

WITHOUT POWER POLE (2)						
NO BASE FEED				BASE FEED		
Source Laminate	Flintwood	Natural Veneer	Source Laminate	Flintwood	Natural Veneer	
871	1779	1871	941	1850	1945	
885	1814	1906	955	1885	1980	

WITH POWER POLE (1)						
NO BASE FEED				BASE FEED		
Source Laminate	Flintwood	Natural Veneer	Source Laminate	Flintwood	Natural Veneer	
941	1850	1945	1010	1922	2018	
955	1885	1980	1025	1956	2053	

If Mica/Accent is specified, add 58

navigate casual space division

HNBCGMMT

Navigate 120 Mid Gable – Metal

The Navigate 120 Mid Gable - Metal attaches to the Navigate 120 Frame leg braces in the mid location to create additional privacy, conceal electrics and create a physical enclosure between adjustable leg columns to the floor.

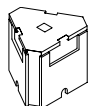
WHAT'S INCLUDED

3 metal front gables, 1 metal top plate, mounting hardware.

NOTES

120 Mid Gable - Metal does not wrap around the leg columns.

Power Pole provision must be specified for use with Power Pole, Mid Condition - 120 (HNBEPP).



PRODUCT OPTIONS

Power Pole	Base Feed	Wire Channel Provision	Gable Finish
1 Yes	1 Yes	B Dual-Sided - Standard	Foundation
2 No	2 No		Mica Accent

SAMPLE ORDER CODE

HNBCGMMT 1	2	B	91
------------	---	---	----

DIMENSIONS INCHES / MM

Without Power Pole, Without Base Feed
Without Power Pole, With Base Feed
With Power Pole, Without Base Feed
With Power Pole, With Base Feed

PRICING

Foundation	Mica/Accent
636	668
705	740
705	740
775	813

The Navigate 120 Mid Gable - Solid attaches to the Navigate 120 Frame leg braces in the mid location to create additional privacy, conceal electrics and create a physical enclosure between adjustable leg columns to the floor.

HNBCGMST

Navigate 120 Mid Gable – Solid

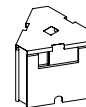
WHAT'S INCLUDED

3 solid front gables, 1 metal top plate, mounting hardware.

NOTES

120 Mid Gable - Solid does not wrap around the leg columns.

Power Pole provision must be specified for use with Power Pole, Mid Condition - 120 (HNBEPP).



PRODUCT OPTIONS

Power Pole	Base Feed	Wire Channel Provision	Outer Gable Finish	Inner Gable Finish
1 Yes	1 Yes	B Dual-Sided - Standard	Source Laminate	Foundation
2 No	2 No		Flintwood	Mica
			Natural Veneer	Accent

SAMPLE ORDER CODE

HNBCGMST 1	2	B	VZ	91
-------------------	----------	----------	-----------	-----------

**DIMENSIONS
INCHES / MM**

Without Power Pole, Without Base Feed
Without Power Pole, With Base Feed
With Power Pole, Without Base Feed
With Power Pole, With Base Feed

PRICING

	Source Laminate	Flintwood	Natural Veneer
Without Power Pole, Without Base Feed	1305	2289	2404
Without Power Pole, With Base Feed	1375	2359	2474
With Power Pole, Without Base Feed	1375	2359	2474
With Power Pole, With Base Feed	1444	2428	2543

If Mica/Accent is specified, add 24

navigate casual space division

HNBCGMMR

Navigate Single-Sided Transition Mid Gable – Metal

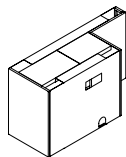
Navigate Single-Sided Transition Mid Gable – Metal attaches to the Navigate Single-Sided Frame and the Navigate Height-Adjustable Bench Frame or 120 Frame leg braces in the mid locations in a run to create additional privacy between stations, conceal electrics and create a physical enclosure between adjustable leg columns to the floor.

WHAT'S INCLUDED

2 metal front gables, 2 metal side gables, 1 L-shaped gable, 1 2-piece metal top plate, mounting hardware.

NOTES

Single-Sided Transition Mid Gable – Metal wraps around the leg columns.



PRODUCT OPTIONS

Depth	Transition Orientation	Base Feed	Finish
48, 60	L Left R Right	1 Yes 2 No	Foundation Mica Accent

SAMPLE ORDER CODE

HNBCGMMR 60	L	2	91
--------------------	----------	----------	-----------

DIMENSIONS INCHES / MM

D
48 / 1219
60 / 1524

PRICING

NO BASE FEED			BASE FEED		
Foundation	Mica	Accent	Foundation	Mica	Accent
256	273	292	291	309	327
283	299	319	318	334	354

Navigate Single-Sided Transition Mid Gable – Solid attaches to the Navigate Single-Sided Frame and the Navigate Height-Adjustable Bench Frame or 120 Frame leg braces in the mid locations in a run to create additional privacy between stations, conceal electrics and create a physical enclosure between adjustable leg columns to the floor.

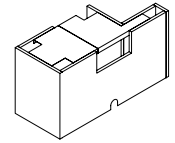
HNBCGMSR
Navigate Single-Sided Transition
Mid Gable – Solid

WHAT'S INCLUDED

2 solid front gables, 2 solid side gables, 1 L-shaped gable, 1 2-piece metal top plate, mounting hardware.

NOTES

Single-Sided Transition Mid Gable – Solid wraps around the leg columns.



PRODUCT OPTIONS

Depth	Transition Orientation	Base Feed	Outer Gable Finish	Inner Gable Finish
48, 60	L Left R Right	1 Yes 2 No	Source Laminate Flintwood Natural Veneer	Foundation Mica Accent

SAMPLE ORDER CODE

HNBCGMSR 60	L	2	91	91
--------------------	----------	----------	-----------	-----------

DIMENSIONS
INCHES / MM

D
48 / 1219
60 / 1524

PRICING

NO BASE FEED			BASE FEED		
Source Laminate	Flintwood	Natural Veneer	Source Laminate	Flintwood	Natural Veneer
974	2011	2111	1044	2081	2187
1005	2081	2185	1074	2152	2260

If Mica/Accent is specified, add 59

navigate casual space division

HNBCCMN

Navigate Mid Cover – Metal

The Navigate Mid Cover – Metal attaches to and conceals the Navigate Height-Adjustable Frame leg braces in the mid location to create additional privacy, conceal electrics and create a physical enclosure between adjustable leg columns to the floor.

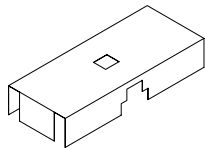
WHAT'S INCLUDED

1 metal mid cover, mounting hardware.

NOTES

Mid Cover - Metal does not wrap around the leg columns.

Power Pole provision must be specified for use with Power Pole, Mid Condition - Standard (HNBEPP).



PRODUCT OPTIONS

Depth	Power Pole	Wire Channel Provision	Finish
48, 60, 72	1 Yes 2 No	B Dual-Sided - Standard	Foundation Mica Accent

SAMPLE ORDER CODE

HNBCCMN 60	1	B	91
-------------------	----------	----------	-----------

DIMENSIONS INCHES / MM

D
48 / 1219
60 / 1524
72 / 1829

PRICING

WITHOUT POWER POLE (2)

Foundation	Mica/Accent
116	121
128	136
143	147

WITH POWER POLE (1)

Foundation	Mica/Accent
151	157
166	172
177	183

Navigate Single-Sided Mid Cover – Metal attaches to and conceals the Navigate Single-Sided Frame leg brace in the mid location to create additional privacy, conceal electrics and create a physical enclosure between adjustable leg columns to the floor.

H N B C C M M S
Navigate Single-Sided Mid Cover – Metal

WHAT'S INCLUDED

1 metal mid cover, mounting hardware.

NOTES

Single-Sided Mid Cover – Metal does not wrap around the leg columns.



PRODUCT OPTIONS

Depth	Finish
24, 30	Foundation Mica Accent

SAMPLE ORDER CODE

HNBCCMMS 24	91
--------------------	-----------

**DIMENSIONS
INCHES / MM**

D
24 / 610
30 / 762

PRICING

Foundation	Mica/Accent
89	94
95	100

navigate casual space division

HNBCMMT

Navigate 120 Mid Cover - Metal

The Navigate 120 Mid Cover - Metal attaches to the Navigate 120 Frame leg braces in the mid location to create additional privacy, conceal electrics and create a physical enclosure between adjustable leg columns to the floor.

WHAT'S INCLUDED

1 120 metal mid cover, mounting hardware.

NOTES

120 Mid Cover - Metal does not wrap around the leg columns.

Power Pole provision must be specified for use with Power Pole, Mid Condition - 120 (HNBEPP).



PRODUCT OPTIONS

Power Pole	Wire Channel Provision	Cover Finish
1 Yes	B Dual-Sided - Standard	Foundation
2 No		Mica Accent

SAMPLE ORDER CODE

HNBCMMT 1	B	91
-----------	---	----

DIMENSIONS INCHES / MM

PRICING

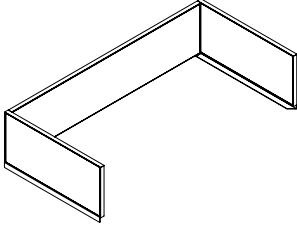
	Foundation	Mica/Accent
Without Power Pole	465	488
With Power Pole	534	560

study carrel screen

study carrel screen product map

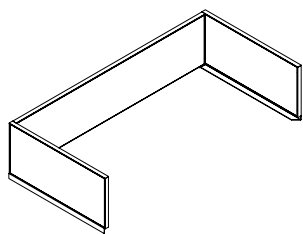
GYKB Study Carrel Screen

Page 140



study carrel screen

GYKB Study Carrel Screen



The Study Carrel Screen attaches to the top of the worksurface to provide space division on both the back and lateral edge, therefore providing territorial desktop privacy.

WHAT'S INCLUDED

1 framed fabric desk edge screen, attachment brackets.

NOTES

Framed Study Carrel Screens is designed to match the width and depth of the worksurface for tight fit applications. For partial application, specify the depth of the Study Carrel a size down from the worksurface depth.

Desktop grommet is required for wire pass-through. Fabric will be applied in the railroad direction in select Panel and Upholstery fabrics, please refer to the *Teknion Textiles Program Guide*.

Study Carrels **cannot** be used on radius corner worksurfaces.

PRODUCT OPTIONS

Height		Depth	Width	Edge Trim		Screen Finish		Hardware Finish
42	42" Datum Height	18, 24, 30, 36	48, 54, 60, 66, 72, 78, 84	6	Straight Trim	P	Panel Fabrics	Foundation Colors
51	51" Datum Height			8	Flat Trim	U	Upholstery Fabrics	Mica Colors
				H	Full Knife Trim			Accent Colors

SAMPLE ORDER CODE

GYKB 42	24	60	6	B204	74
----------------	-----------	-----------	----------	-------------	-----------

DIMENSIONS CODE / INCHES

D	W
18 / 457	48 / 1219
18 / 457	54 / 1372
18 / 457	60 / 1524
18 / 457	66 / 1676
18 / 457	72 / 1828
18 / 457	78 / 1981
18 / 457	84 / 2134
24 / 610	48 / 1219
24 / 610	54 / 1372
24 / 610	60 / 1524
24 / 610	66 / 1676
24 / 610	72 / 1828
24 / 610	78 / 1981
24 / 610	84 / 2134
30 / 762	48 / 1219
30 / 762	54 / 1372
30 / 762	60 / 1524
30 / 762	66 / 1676
30 / 762	72 / 1828
30 / 762	78 / 1981
30 / 762	84 / 2134

PRICE

42" DATUM HEIGHT															
PANEL FABRIC							UPHOLSTERY FABRIC								
COM/ Gr. A	Gr. 1	Gr. 2	Gr. 3	Gr. 4	Gr. 5	COM/ Gr. 1	Gr. 2	Gr. 3	Gr. 4	Gr. 5	Gr. 6	Gr. 7	Gr. 8	Gr. 9	Gr. 10
1646	1661	1683	1752	1806	1854	1651	1711	1735	1771	1826	1861	1891	1959	2024	2052
1742	1759	1781	1859	1912	1965	1747	1812	1837	1877	1937	1971	2006	2074	2145	2175
1767	1783	1806	1890	1945	2004	1771	1837	1868	1909	1971	2009	2045	2119	2197	2227
1819	1836	1862	1948	2011	2072	1824	1895	1927	1969	2037	2075	2114	2197	2277	2313
1846	1864	1891	1982	2049	2111	1850	1926	1959	2008	2075	2117	2159	2246	2329	2368
1907	1926	1953	2050	2122	2189	1913	1991	2027	2074	2151	2194	2238	2329	2417	2457
1955	1974	2002	2104	2180	2248	1960	2042	2079	2133	2211	2255	2301	2398	2492	2535
1747	1764	1788	1869	1927	1985	1752	1819	1848	1891	1952	1991	2025	2102	2180	2212
1842	1861	1885	1972	2035	2095	1847	1920	1950	1994	2062	2100	2139	2219	2300	2335
1866	1885	1912	2004	2068	2133	1872	1948	1980	2027	2097	2139	2181	2264	2350	2388
1920	1938	1966	2065	2133	2201	1924	2006	2040	2089	2162	2205	2249	2341	2431	2471
1945	1965	1994	2097	2169	2241	1951	2036	2071	2124	2201	2247	2292	2390	2482	2524
2006	2027	2058	2166	2242	2317	2013	2100	2139	2192	2275	2322	2370	2472	2571	2615
2052	2074	2107	2220	2300	2377	2060	2152	2191	2249	2335	2384	2436	2542	2645	2691
1848	1866	1893	1986	2050	2115	1854	1928	1963	2010	2079	2122	2162	2247	2333	2369
1942	1962	1989	2086	2155	2223	1948	2027	2064	2111	2185	2228	2272	2364	2453	2493
1966	1987	2016	2119	2191	2262	1974	2057	2094	2145	2223	2270	2315	2410	2506	2546
2020	2042	2072	2181	2255	2330	2025	2115	2153	2210	2289	2337	2387	2486	2584	2629
2043	2067	2098	2213	2290	2369	2051	2143	2184	2241	2327	2376	2427	2531	2638	2682
2103	2129	2162	2279	2363	2445	2112	2211	2249	2311	2399	2452	2506	2615	2724	2772
2151	2175	2212	2336	2421	2507	2160	2261	2304	2366	2458	2514	2571	2684	2800	2848

If Accent/Mica Hardware Finish is specified, add 28

Pricing is continued on the following page.

GYKB
Study Carrel Screen
(Continued)

DIMENSIONS
CODE / INCHES

D	W
36 / 914	48 / 1219
36 / 914	54 / 1372
36 / 914	60 / 1524
36 / 914	66 / 1676
36 / 914	72 / 1828
36 / 914	78 / 1981
36 / 914	84 / 2134
24 / 610	48 / 1219
24 / 610	54 / 1372
24 / 610	60 / 1524
24 / 610	66 / 1676
24 / 610	72 / 1828
24 / 610	78 / 1981
24 / 610	84 / 2134
30 / 762	48 / 1219
30 / 762	54 / 1372
30 / 762	60 / 1524
30 / 762	66 / 1676
30 / 762	72 / 1828
30 / 762	78 / 1981
30 / 762	84 / 2134
36 / 914	48 / 1219
36 / 914	54 / 1372
36 / 914	60 / 1524
36 / 914	66 / 1676
36 / 914	72 / 1828
36 / 914	78 / 1981
36 / 914	84 / 2134

PRICE

42" DATUM HEIGHT (CONTINUED)

PANEL FABRIC							UPHOLSTERY FABRIC									
COM/ Gr. A	Gr. 1	Gr. 2	Gr. 3	Gr. 4	Gr. 5		COM/ Gr. 1	Gr. 2	Gr. 3	Gr. 4	Gr. 5	Gr. 6	Gr. 7	Gr. 8	Gr. 9	Gr. 10
1950	1969	1998	2102	2172	2246		1955	2039	2075	2129	2204	2250	2299	2392	2487	2526
2042	2064	2094	2199	2277	2351		2046	2137	2174	2227	2307	2358	2405	2508	2608	2652
2067	2091	2123	2234	2315	2392		2074	2167	2204	2263	2349	2399	2450	2555	2659	2706
2119	2144	2176	2298	2377	2458		2127	2225	2264	2328	2416	2467	2522	2630	2741	2786
2141	2168	2202	2328	2410	2497		2152	2250	2297	2357	2451	2506	2564	2674	2791	2837
2202	2230	2268	2395	2482	2572		2213	2319	2362	2428	2524	2581	2640	2757	2878	2928
2247	2277	2315	2451	2542	2634		2260	2370	2417	2482	2583	2642	2705	2827	2953	3004

51" DATUM HEIGHT

PANEL FABRIC							UPHOLSTERY FABRIC									
COM/ Gr. A	Gr. 1	Gr. 2	Gr. 3	Gr. 4	Gr. 5		COM/ Gr. 1	Gr. 2	Gr. 3	Gr. 4	Gr. 5	Gr. 6	Gr. 7	Gr. 8	Gr. 9	Gr. 10
1999	2023	2054	2168	2248	2327		2009	2100	2140	2197	2282	2335	2381	2491	2595	2639
2114	2139	2172	2293	2377	2463		2123	2220	2262	2325	2419	2471	2524	2633	2747	2794
2154	2180	2216	2344	2433	2524		2161	2268	2313	2377	2474	2531	2590	2706	2827	2876
2223	2250	2289	2424	2522	2618		2231	2343	2393	2458	2565	2625	2684	2811	2937	2993
2264	2293	2335	2479	2580	2678		2274	2392	2442	2516	2625	2689	2752	2886	3019	3076
2343	2373	2417	2568	2674	2781		2350	2475	2530	2605	2721	2787	2856	2999	3135	3199
2407	2438	2482	2642	2755	2865		2416	2545	2602	2684	2805	2874	2946	3096	3240	3306
2101	2126	2161	2285	2370	2456		2110	2211	2254	2317	2408	2465	2520	2633	2748	2797
2214	2241	2276	2407	2500	2593		2221	2329	2375	2442	2542	2600	2658	2778	2900	2952
2254	2281	2320	2458	2555	2654		2262	2376	2424	2495	2600	2661	2724	2852	2981	3035
2322	2354	2394	2542	2644	2747		2333	2452	2506	2579	2690	2755	2820	2956	3093	3151
2364	2395	2438	2595	2700	2807		2373	2500	2553	2632	2749	2818	2886	3030	3174	3234
2442	2475	2521	2683	2796	2908		2451	2583	2641	2724	2847	2919	2992	3140	3291	3356
2506	2540	2588	2757	2876	2994		2515	2655	2716	2801	2929	3003	3081	3238	3395	3463
2226	2254	2292	2431	2528	2626		2234	2348	2397	2467	2572	2633	2697	2825	2953	3008
2337	2368	2407	2554	2658	2760		2347	2466	2520	2594	2703	2770	2834	2971	3105	3163
2377	2408	2452	2608	2716	2822		2388	2514	2568	2647	2764	2832	2900	3044	3187	3248
2449	2481	2525	2690	2803	2915		2458	2593	2648	2729	2852	2926	2999	3148	3298	3361
2489	2523	2571	2742	2859	2978		2500	2639	2698	2784	2912	2987	3062	3220	3379	3445
2567	2602	2653	2832	2953	3076		2579	2723	2785	2876	3009	3089	3168	3332	3497	3566
2630	2765	2719	2906	3033	3162		2642	2794	2859	2952	3093	3176	3257	3428	3601	3675
2350	2380	2424	2579	2687	2796		2361	2487	2540	2619	2734	2804	2874	3014	3159	3219
2462	2495	2540	2702	2816	2929		2472	2603	2663	2745	2866	2937	3010	3161	3311	3378
2501	2538	2583	2756	2873	2988		2513	2652	2711	2798	2927	3001	3076	3235	3391	3459
2573	2609	2658	2837	2959	3082		2584	2729	2791	2881	3014	3097	3176	3338	3503	3573
2613	2652	2702	2887	3017	3147		2626	2777	2843	2935	3074	3159	3239	3410	3584	3655
2691	2729	2784	2980	3111	3246		2706	2862	2929	3028	3171	3262	3342	3525	3703	3778
2755	2988	2851	3054	3192	3332		2771	2932	3003	3103	3254	3349	3434	3618	3805	3885

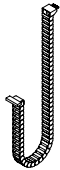
If Accent/Mica Hardware Finish is specified, add 28

navigate electrics

navigate electrics product map

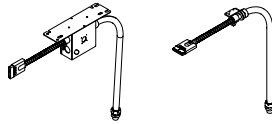
HNBEEE Navigate Vertical Wire Carrier Vertical Cable Manager

Page 146



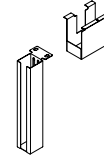
HNBEBF Navigate Base Feed

Page 147



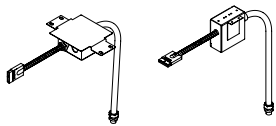
HNBEBC Navigate Base Feed Cover

Page 148



HNBEBFS Navigate Split Base Feed

Page 149



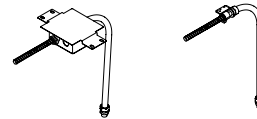
HNBECF Navigate Ceiling Feed

Page 150



HNBEBFCH Navigate Chicago Base Feed

Page 151



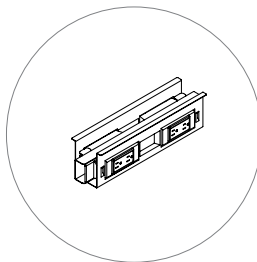
HNBECFCH Navigate Chicago Ceiling Feed

Page 152



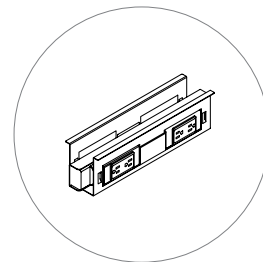
HNBEPMCH Navigate Chicago Power Module

Page 153



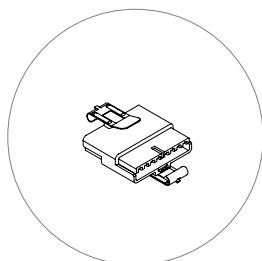
HNBEPSCH Navigate Single-Sided Chicago Power Module

Page 154



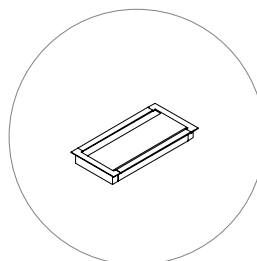
HNBEIC Navigate I-Connector

Page 155



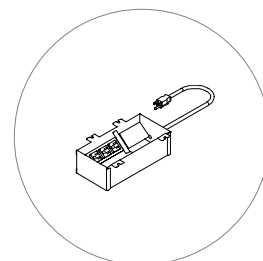
HNBECD Navigate Center Access Door

Page 155



HNBEAP Navigate Surface Access Power Box

Page 157



product map

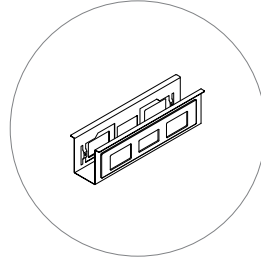
HNBEPH Navigate Power
Harness

Page 158



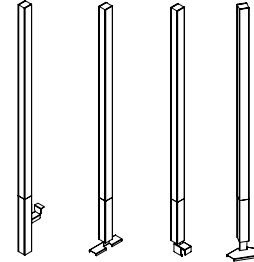
HNBEPM Navigate Power
Module

Page 159



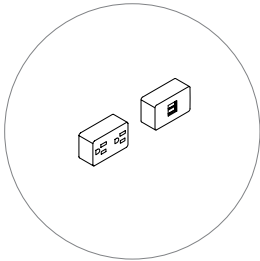
HNBEPP Navigate Power Pole

Page 160



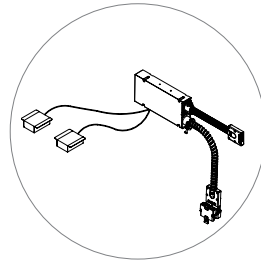
HNBERO Navigate Receptacle
Outlet

Page 161



HNBEPC Navigate Power
Conservation System

Page 162



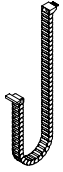
H N B E E E

Navigate Vertical Wire Carrier Vertical Cable Manager

The Vertical Wire Carrier Vertical Cable Manager safely conceals and carries cables from the worksurface to Wire Channel.

WHAT'S INCLUDED

1 Vertical Wire Carrier, 1 top mounting bracket, 1 Wire Channel mounting bracket, 1 cable tie, mounting hardware.



PRODUCT OPTIONS

Vertical Wire Carrier Finish

- E Ebony Coordinate
- 7 Platinum Coordinate
- V Very White Coordinate

SAMPLE ORDER CODE

HNBE E E

PRICING

267

The Base Feed is used to route power from the floor to the Power Module.

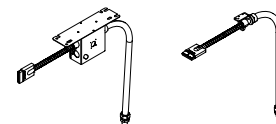
WHAT'S INCLUDED

1 base feed with bracket (s), i-connector, mounting hardware.

NOTES

In the Mid Condition (M), the Base Feed mounts to the Frame Link using an additional bracket (included). A 48" Power Harness is required to connect to the Power Module in the Wire Channel.

HNBEBF
Navigate Base Feed



PRODUCT OPTIONS

Wire System	Length	Style	Cover Finish	PVC Option	Country of Installation	
8T 8-Wire Isolated Ground	072, 144	E End Condition	Foundation	Standard	A Canada/USA	
8K 8-Wire Dual Isolated		M Mid Condition	Mica Accent	V PVC Free		
7T 7-Wire Non Isolated Ground						
7K 7-Wire Dual Non Isolated						

SAMPLE ORDER CODE

HNBEBF 8K	072	E	91	V	A
------------------	------------	----------	-----------	----------	----------

DIMENSIONS
INCHES / MM

L
72 / 1829
144 / 3658

PRICING

ISOLATED GROUND (8T)			
END CONDITION		MID CONDITION	
Standard	PVC Free	Standard	PVC Free
422	466	480	524
553	609	610	664

DUAL ISOLATED (8K)			
END CONDITION		MID CONDITION	
Standard	PVC Free	Standard	PVC Free
530	583	587	640
689	759	747	814

L
72 / 1829
144 / 3658

NON ISOLATED GROUND (7T)			
END CONDITION		MID CONDITION	
Standard	PVC Free	Standard	PVC Free
422	466	480	524
553	609	610	664

DUAL NON ISOLATED (7K)			
END CONDITION		MID CONDITION	
Standard	PVC Free	Standard	PVC Free
530	583	587	640
689	759	747	814

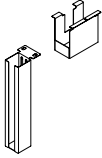
H N B E B C

Navigate Base Feed Cover

Navigate Base Feed Cover is used to route a Base Feed and data cables into the Wire Channel.

WHAT'S INCLUDED

1 base feed cover, mounting brackets, mounting hardware.



PRODUCT OPTIONS

Finish

Foundation

Mica

Accent

SAMPLE ORDER CODE

HNBEBC 91

PRICING

Foundation	Mica/Accent
326	333

The Navigate Split Base Feed delivers power from the floor to the Power Module. It is wired to the building power supply in two places for New York City wiring restrictions.

HNBEBFS Navigate Split Base Feed

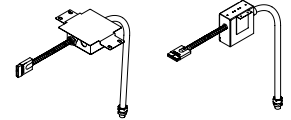
WHAT'S INCLUDED

1 base feed harness, junction box, I-connector, mounting hardware, additional cover is included when End Condition (E) is specified.

NOTES

In the End Condition (E), the Split Base Feed can connect directly to the Power Module when the I-connector is removed. An additional Power Harness is not required to make this connection.

In the Mid Condition (M), the Split Base Feed module mounts directly to the Frame Link using an additional bracket (included). A 48" Power Harness is required to connect to the Power Module in the Wire Channel.



PRODUCT OPTIONS

Wire System	Length	Style	PVC Option	Country of Installation
8T 8-Wire Isolated Ground	018, 072	E End Condition	Standard	A Canada/USA
8K 8-Wire Dual Isolated		M Mid Condition	V PVC Free	
7T 7-Wire Non Isolated Ground				
7K 7-Wire Dual Non Isolated				

SAMPLE ORDER CODE

HNBEBFS 8K	072	E	V	A
-------------------	------------	----------	----------	----------

DIMENSIONS INCHES / MM

L
18 / 457
72 / 1829

PRICING

ISOLATED GROUND (8T)			
End Condition		Mid Condition	
Standard	PVC Free	Standard	PVC Free
382	420	440	478
454	500	509	543

DUAL ISOLATED (8K)			
End Condition		Mid Condition	
Standard	PVC Free	Standard	PVC Free
485	534	543	592
558	615	615	673

NON ISOLATED GROUND (7T)			
End Condition		Mid Condition	
Standard	PVC Free	Standard	PVC Free
382	420	440	478
454	500	509	543

DUAL NON ISOLATED (7K)			
End Condition		Mid Condition	
Standard	PVC Free	Standard	PVC Free
485	534	543	592
558	615	615	673

HNBECF

Navigate Ceiling Feed

Navigate Ceiling Feed is used to route power from the ceiling, through the Power Pole (HNBEPP), to a power module located in a Wire Channel.

WHAT'S INCLUDED

1 ceiling feed.



PRODUCT OPTIONS

Wire System	Length	PVC Option	Country of Installation
8T 8-Wire Isolated Ground	120, 144	Standard	A Canada/USA
8K 8-Wire Dual Isolated		V PVC Free	
7T 7-Wire Non Isolated Ground			
7K 7-Wire Dual Non Isolated			

SAMPLE ORDER CODE

HNBECF 8T	120	V	A
------------------	------------	----------	----------

DIMENSIONS INCHES / MM

L
120 / 3048
144 / 3658

PRICING

ISOLATED GROUND (8T)		DUAL ISOLATED (8K)	
Standard	PVC Free	Standard	PVC Free
303	334	369	406
321	353	386	425

NON ISOLATED GROUND (7T)		DUAL NON ISOLATED (7K)	
Standard	PVC Free	Standard	PVC Free
303	334	369	406
321	353	386	425

Navigate Chicago Base Feed provides a route for delivering power to a Height-Adjustable Bench in accordance with Chicago electrical code.

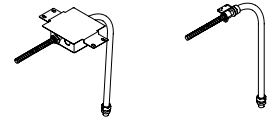
HNBEBFCH Navigate Chicago Base Feed

WHAT'S INCLUDED

1 Chicago base feed, mounting hardware.

NOTES

In the Mid Condition (M), the Chicago Base Feed module mounts directly to the Frame Link using an additional bracket (included). A 48" Power Harness is required to connect to the Power Module in the Wire Channel.



PRODUCT OPTIONS

Length	Style	Country of Installation
072, 144	E End Condition M Mid Condition	A Canada/USA

SAMPLE ORDER CODE

HNBEBFCH 072	E	A
---------------------	----------	----------

**DIMENSIONS
INCHES / MM**

L
72 / 1829
144 / 3658

PRICING

End Condition	Mid Condition
382	440
499	557

HNBEFCFH

Navigate Chicago Ceiling Feed

Navigate Chicago Ceiling Feed is used to provide a route for power from the ceiling, through the Power Pole (HNBEPP), to a power module located in a Wire Channel.

WHAT'S INCLUDED

1 Chicago ceiling feed.



PRODUCT OPTIONS

Length	Country of Installation
120, 144	A Canada/USA

SAMPLE ORDER CODE

HNBEFCFH 120	A
--------------	---

DIMENSIONS INCHES / MM

L
120 / 3048
144 / 3658

PRICING

205
249

Navigate Chicago Power Module provides connectivity for up to four Outlets.

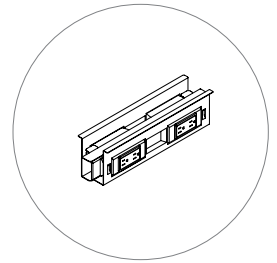
WHAT'S INCLUDED

1 Chicago power module, bezel plate cover, mounting brackets, mounting hardware.

NOTES

Finished in Platinum.

H N B E P M C H
Navigate Chicago Power Module



PRODUCT OPTIONS

Mounting Style		Receptacle Style		Country Of Installation	
B	Facing Sides	S	Standard 15 Amp	A	Canada/USA
		T	T-Slot 20 Amp		
		D	Controlled 15 Amp		
		E	Controlled 20 Amp		

SAMPLE ORDER CODE

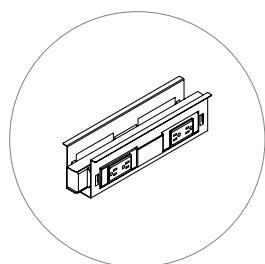
HNBEPMCH B	S	A
-------------------	----------	----------

PRICING

Standard 15 Amp	T-Slot 20 Amp	Controlled 15 Amp	Controlled 20 Amp
1050	1073	1050	1073

H N B E P S C H

Navigate Single-Sided Chicago Power Module



Navigate Single-Sided Chicago Power Module provides connectivity for up to four Outlets.

WHAT'S INCLUDED

1 Single-Sided Chicago power module, bezel plate cover, mounting brackets, mounting hardware.

NOTES

Finished in Platinum.

PRODUCT OPTIONS

Mounting Style		Receptacle Style		Country Of Installation	
B	Facing Sides	S	Standard 15 Amp	A	Canada/USA
		T	T-Slot 20 Amp		
		D	Controlled 15 Amp		
		E	Controlled 20 Amp		

SAMPLE ORDER CODE

HNBEPSC H B	S	A
--------------------	----------	----------

PRICING

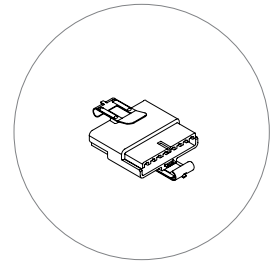
Standard 15 Amp	T-Slot 20 Amp	Controlled 15 Amp	Controlled 20 Amp
789	805	789	805

Navigate I-connector is used to join two Power Harnesses when a single harness is not long enough, connect a Power Harness to a Base Feed, or connect a Power Harness to a Ceiling Feed.

WHAT'S INCLUDED

1 I-connector.

HNBEIC
Navigate I-Connector



PRODUCT OPTIONS

Country of Installation	
A	Canada/USA

SAMPLE ORDER CODE

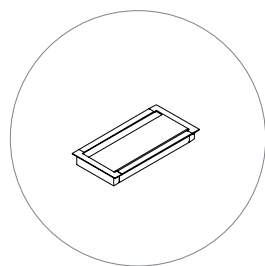
HNBEIC A

PRICING

46

HNBECD

Navigate Center Access Door



The Navigate Center Access Door allows users to access surface integrated outlets. Center Access Door is to be paired with a Navigate Rectangular Worksurface with Center Access Door cut out and a Navigate Surface Access Power Box to create a worksurface integrated user power solution.

WHAT'S INCLUDED

Center Access Door.

NOTES

Requires Center Access Door cut out to be specified in the applicable worksurface.

PRODUCT OPTIONS

Width	Access Door Finish
09	Foundation Mica Accent

SAMPLE ORDER CODE

HNBECD 09	60
-----------	----

DIMENSIONS INCHES / MM

W
9 / 229

PRICING

Foundation	Mica/Accent
187	197

The Navigate Surface Access Power Box is to be paired with a Navigate Rectangular Worksurface with Center Access Door cut out and Navigate Center Access Door to create a worksurface integrated user power solution.

HNBEAP Navigate Surface Access Power Box

WHAT'S INCLUDED

Surface Access Power Box, power cord with specified length.

NOTES

Requires Center Access Door cut out to be specified in the applicable worksurface.

Requires Center Access Door.

Pilot holes are present for installation on the underside of the worksurface when the Center Access Door cut out is specified.

Always includes a data cover plate.

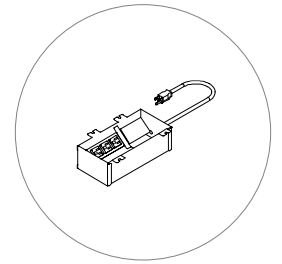
Data cover plate finished in Platinum Coordinate.

USB-A port supplies 10 Watts (5VDC) when used in single port mode.

USB-C port supplies 18 Watts (5/9/12VDC) when used in single port mode.

USB-C port will support Quick Charge when used in single port mode.

When both ports are used at the same time, output may be reduced.



PRODUCT OPTIONS

Application	Configuration	Power Cord Length	Cord & Plug Type
01 Center Access Door Cut Out	T3000 8 wire isolated ground (7T compatible)	P108 Plug-in with 9 ft Cord	A Canada/USA Plug-in
	T2110 8 wire dual isolated (7K compatible)	P120 Plug-in with 10 ft Cord P180 Plug-in with 15 ft Cord	

SAMPLE ORDER CODE

HNBEAP 01	T3000	P120	A
------------------	--------------	-------------	----------

**DIMENSIONS
INCHES / MM**

PRICING

Configuration	Plug-In with 9 ft Cord	Plug-In with 10 ft Cord	Plug-In with 15 ft Cord
T3000	466	466	502
T2110	519	519	554

HNBEPH

Navigate Power Harness

Navigate Power Harness routes power between Power Modules, and in specific situations, connects either a Base Feed or Ceiling Feed to a Power Module.

WHAT'S INCLUDED

1 power harness.

NOTES

Power Harness is non-directional.

An I-connector is required to join two Power Harnesses together.



PRODUCT OPTIONS

Wire System	Length	PVC Option	Country Of Installation
8T 8-Wire Isolated Ground	024, 036, 048, 060, 072, 084, 096, 120, 144	Standard	A Canada/USA
8K 8-Wire Dual Isolated		V PVC Free	

SAMPLE ORDER CODE

HNBEPH 8K	072	V	A
------------------	------------	----------	----------

DIMENSIONS INCHES / MM

L
24 / 610
36 / 1219
48 / 1219
60 / 1524
72 / 1829
84 / 2134
96 / 2438
120 / 3048
144 / 3658

PRICING

ISOLATED GROUND (8T)		DUAL ISOLATED (8K)	
Standard	PVC Free	Standard	PVC Free
211	267	256	326
219	275	264	334
229	288	273	346
235	297	284	356
244	307	293	370
263	331	320	404
276	350	334	422
331	418	399	502
355	448	432	543

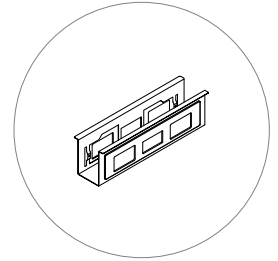
Navigate Power Module mounts directly to the Wire Channel in a Horizontal orientation and accepts Receptacle Outlets.

WHAT'S INCLUDED

Orientation is always horizontal.

Up to four receptacle outlets can face each user in the Wire Channel.

H N B E P M
Navigate Power Module



PRODUCT OPTIONS

Application		Wire System		Country of Installation		PVC Option	
T	Horizontal	8T	8-Wire Isolated Ground (7T compatible)	A	Canada/USA	Standard	V PVC Free
		8K	8-Wire Dual Isolated (7K compatible)				

SAMPLE ORDER CODE

HNBEPM T	8K	A	V
-----------------	-----------	----------	----------

PRICING

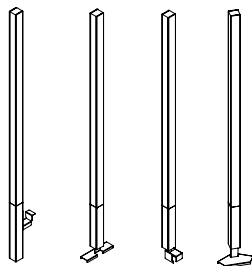
ISOLATED GROUND (8T)
358

DUAL ISOLATED (8K)
392

If PVC Free is specified, add 24

HNBEPP

Navigate Power Pole



Navigate Power Pole routes a Ceiling Feed and data cables from the ceiling to the Height-Adjustable Bench.

WHAT'S INCLUDED

1 Power Pole, mounting bracket (specified style), mounting hardware.

NOTES

Mid Condition - Standard and Mid Condition - 120 requires the specification of a Power Pole Provision in the appropriate cover/gable.

Mid Condition requires all surrounding worksurfaces to be specified with a resultant 5" gap.

End Condition requires an End Cover - Metal be used for attachment and cable routing.

End Condition mounts directly to the center of the leg brace in-line with the Wire Channel.

PRODUCT OPTIONS

Ceiling Height	Style	Finish
096, 120	E End Condition M Mid Condition - Standard S Mid Condition - Single-Sided T Mid Condition - 120	Foundation Mica Accent

SAMPLE ORDER CODE

HNBEPP 096	M	91
-------------------	----------	-----------

DIMENSIONS INCHES / MM

H
96 / 2438
120 / 3048

PRICING

Foundation	Mica/Accent
893	941
929	974

Navigate Receptacle Outlet mounts onto the Power Module to provide access to power.

WHAT'S INCLUDED

1 duplex.

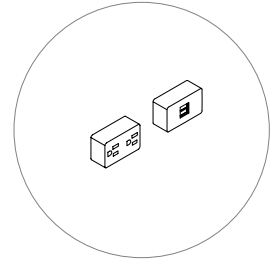
NOTES

Specified individually for maximum flexibility.

If Receptacle Style USB 5V DC 2.1 Amp (U) is specified, Circuits 2, 3, 5, 6, A & B are not available.

Receptacle Styles D & E include markings indicating it is connected to a control system.

H N B E R O
Navigate Receptacle Outlet



PRODUCT OPTIONS

Receptacle Style		Outlet Configuration		Finish	Country of Installation		
S	Standard 15 Amp	1	Circuit 1	60	Platinum	A	Canada/USA
T	T-Slot 20 Amp	2	Circuit 2				
U	USB 5V DC 2.1 Amp	3	Circuit 3 (Use with 7T & 8T only)				
D	Controlled 15 amp	5	Circuit 5 (use with 8T & 8K only)				
E	Controlled 20 amp	6	Circuit 6 (Use with 8K only)				
		A	Circuit A Non Isolated Ground (use with 7T & 7K only)				
		B	Circuit B Non Isolated Ground (use with 7K only)				

SAMPLE ORDER CODE

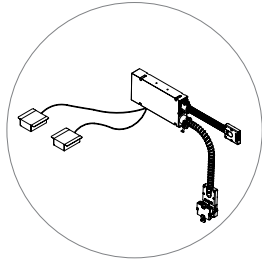
HNBERO S	6	60	A
-----------------	----------	-----------	----------

PRICING

Style	
S	39
T	49
U	201
D	39
E	49

H N B E P C

Navigate Power Conservation System



The Navigate Power Conservation System provides an automatic power switch to workstation outlets on circuit 1 and 2.

WHAT'S INCLUDED

1 control box, sensors (specified quantity), connection brackets, cables, 4-way splitter, mounting hardware.

NOTES

Automatic shut-off timer is factory set at 20 minutes.

Sensor connection cables finished in Grey and White.

System Control Box finished in Platinum.

System control box is available in Platinum (Foundation) only. Each Control Box offers two separate output jack for connection of Occupancy Sensors. The first output jack controls power to all receptacles on Teknion Circuit 1 and the second output jack controls power to all receptacles on Teknion Circuit 2. Each of the output jacks is labeled on the control box.

Always specify one sensor per workstation.

Only one controlled circuit per workstation (do not specify two controlled circuits in one single workstation).

Do not specify mix receptacles for both circuit 1 and 2 in a single workstation.

PRODUCT OPTIONS

Application	Frame Module Size	Number of Sensors	Cover Finish
D Back-to-Back Installation	SM Frame Modules 60" or Less	2 Two	Foundation Mica
	LG Frame Modules 66" or More	4 Four	
		8 Eight	

SAMPLE ORDER CODE

HNBEP C D	LG	2	25
------------------	-----------	----------	-----------

PRICING

	Two Sensors (2)	Four Sensors (4)	Eight Sensors (8)
Frame Modules 60" or Less (SM)	1791	2205	3037
Frame Modules 66" or More (LG)	2011	2426	3256

hispace application guide

hispace application guides

HISPACE FRAMES OVERVIEW	170
HISPACE FRAMES BASICS	173
HISPACE PLANNING WITH FRAMES	174
HISPACE LEVELER EXTENSION BLOCK BASICS	177
HISPACE PLANNING WITH LEVELER EXTENSION BLOCKS	178
HISPACE DOUBLE & SINGLE-SIDED BASE LINK BASICS	179
HISPACE PLANNING WITH BASE LINKS	180
HISPACE SPINE TRAY BASICS	182
HISPACE PLANNING WITH SPINE TRAYS	183
HISPACE SPINE TRAY END COVER BASICS	185
HISPACE SINGLE-SIDED FRAME WELDMENT COVER BASICS	186
HISPACE PLANNING WITH SINGLE-SIDED FRAME WELDMENT COVERS	187
HISPACE NO SPINE SCREEN COVER BASICS	188
HISPACE PLANNING WITH NO SPINE SCREEN COVERS	189
HISPACE DOUBLE-SIDED END GABLE BASICS	190
HISPACE DOUBLE & SINGLE-SIDED RECTANGULAR WORKSURFACE BASICS	191
HISPACE 120 WORKSURFACE BASICS	192
HISPACE PLANNING WITH WORKSURFACES	193
HISPACE CENTER ACCESS DOOR BASICS	198
HISPACE SURFACE ACCESS POWER BOX BASICS	199
HISPACE PLANNING WITH CENTER ACCESS DOORS & SURFACE ACCESS POWER BOX	200
HISPACE CABLE RISER BASICS	201
HISPACE PLANNING WITH CABLE RISERS	202

CONTINUED

hispace application guides

HISPACE BASE FEED BASICS	204
HISPACE PLANNING WITH BASE FEEDS	205
HISPACE WIRE MANAGEMENT BASICS	206
HISPACE PLANNING WITH WIRE MANAGEMENT & ELECTRICS.	208
HISPACE VERTICAL WIRE CARRIER BASICS	210
HISPACE FELT COVER ORGANIZER BASICS	211
HISPACE WIRE BRIDGE BASICS	213
HISPACE DOUBLE & SINGLE-SIDED SCREENS OVERVIEW	214
HISPACE DOUBLE-SIDED SPINE SCREEN BASICS.	215
HISPACE PLANNING WITH DOUBLE-SIDED SPINE SCREENS	216
HISPACE DOUBLE-SIDED DESK EDGE SCREEN BASICS	217
HISPACE PLANNING WITH DOUBLE-SIDED DESK EDGE SCREENS.	221
HISPACE DOUBLE-SIDED END OF RUN SCREEN BASICS	220
HISPACE PLANNING WITH DOUBLE-SIDED END OF RUN SCREENS	221
HISPACE SINGLE-SIDED CORRIDOR SCREEN BASICS	222
HISPACE PLANNING WITH SINGLE-SIDED CORRIDOR SCREENS	223
HISPACE SINGLE-SIDED CORRIDOR SCREEN ALIGNMENT CLIP - SOLID BASICS	224
HISPACE PLANNING WITH SINGLE-SIDED CORRIDOR SCREEN ALIGNMENT CLIP - SOLID	225
HISPACE SMOOTH FELT LATERAL SCREEN BASICS	226
HISPACE PLANNING WITH SMOOTH FELT LATERAL SCREENS.	227
HISPACE LOW PROFILE BAG DROP BASICS.	228
HISPACE LOW PROFILE BAG DROP FINISHES	229
HISPACE WORKSTATION NAME PLATE BASICS	230
PLANNING WITH HISPACE WORKSTATION NAME PLATE	231

understanding hiSpace bench frames

hiSpace Height-Adjustable Bench frames are ideal for the work environment, providing users with customized ergonomic comfort.

hiSpace frames have two basic structures:

- Rectangular Frames - created with one or two worksurfaces
- 120 Frames - created with a minimum of three worksurfaces

The user can adjust the height of each worksurface to meet their personal preference or they can be ordered as fixed frames.



Double-Sided Bench



Single-Sided Bench

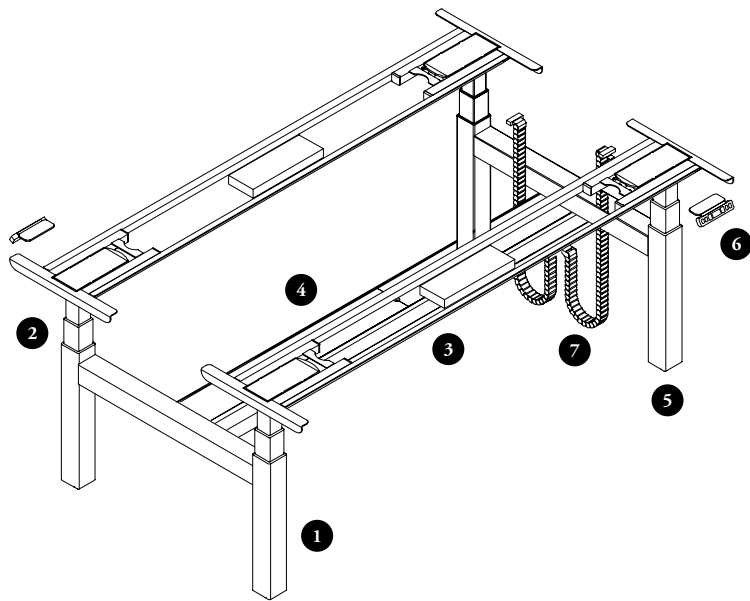


120 Bench

hispace frames overview

- Linked stations create a benching environment that fully supports user sit/stand ranges, technology requirements and a high level of flexibility to create individual privacy
- Height-Adjustable Bench is made up of a simple kit of parts including a frame (double-sided, 120, or single-sided), worksurfaces, electrical components and screens that all must be specified separately

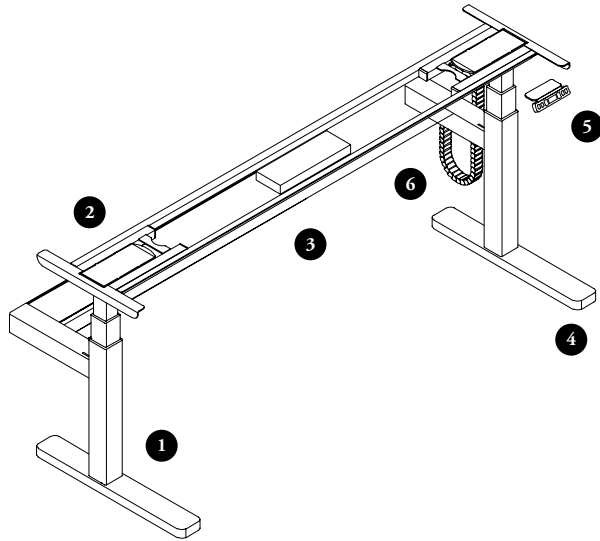
double-sided frame



- ① hiSpace Leg Column
- ② Worksurface Strut
- ③ Top Frame
- ④ Spine Tray
- ⑤ Leveler
- ⑥ Digital Switch
- ⑦ Vertical Wire Carrier (optional)

hispace frames overview (continued)

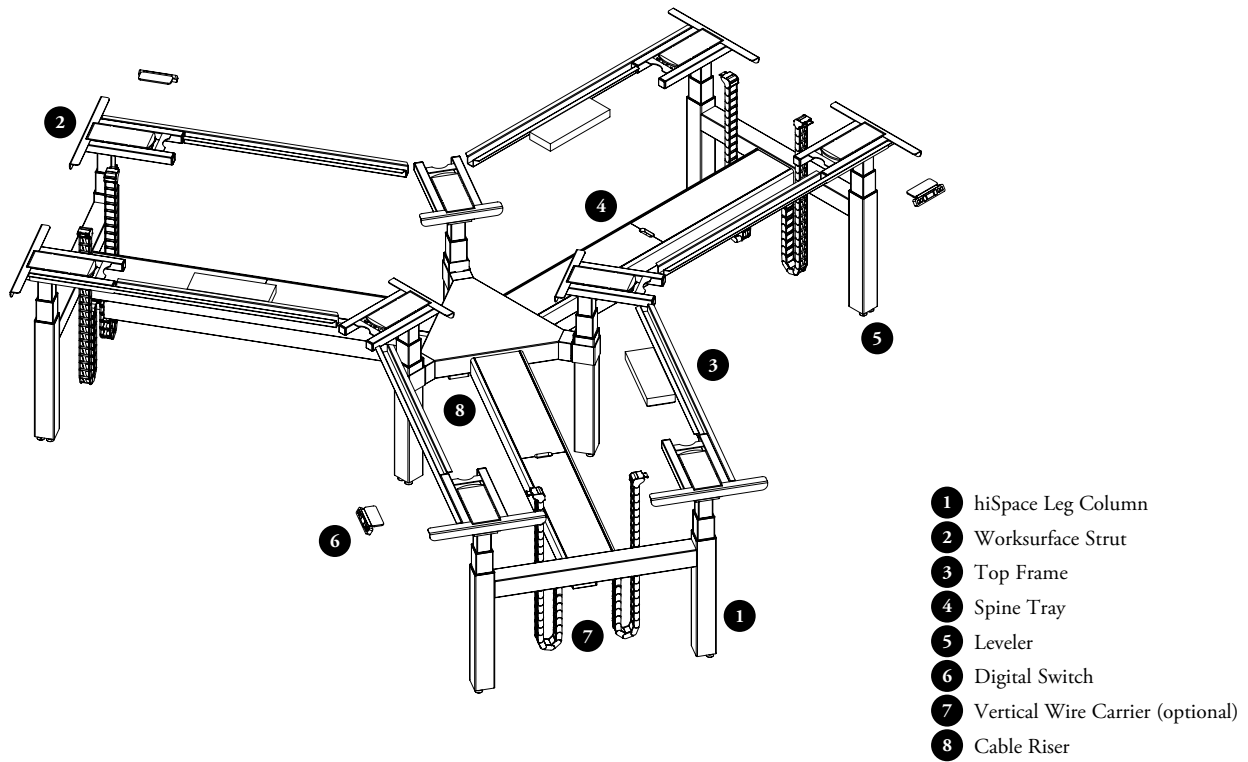
single-sided frame



- 1 hiSpace Leg Column
- 2 Worksurface Strut
- 3 Telescopic Top Frame
- 4 Leveler
- 5 Digital Switch
- 6 Vertical Wire Carrier (optional)

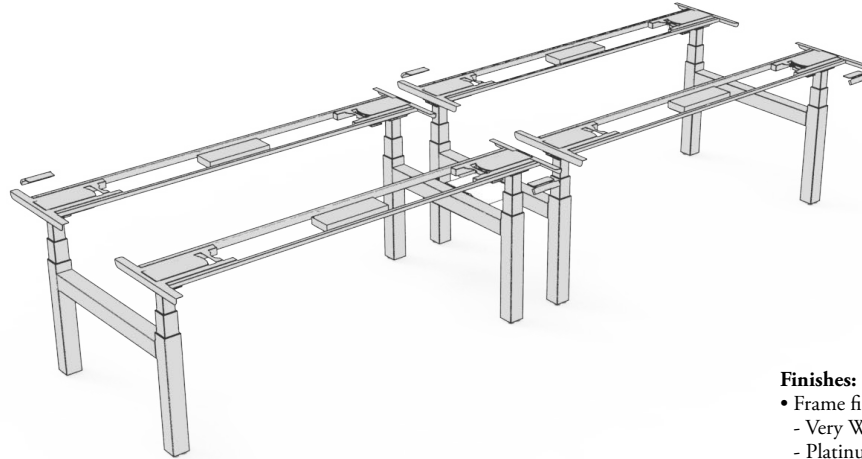
hispace frames overview (continued)

120 frame



hispace frame basics

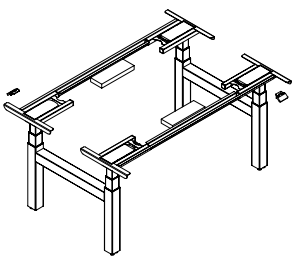
The hiSpace Height-Adjustable Bench begins with a universal frame which can be linked to additional frames. Double-Sided frame sections accommodate two users, Single-Sided frames accommodate one user and 120 frames accommodate three users.



Finishes:

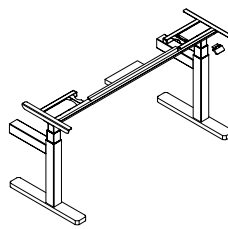
- Frame finishes available:
 - Very White
 - Platinum
 - Ebony

- Table Base size is determined by the size of the worksurface it is used with
- Switch:
 - Display with up/down memory
 - Toggle Display with Memory
 - None
- Base Mechanism
 - Extended Range Electric-Extended Height (22.6" - 48.7")
 - Fixed Height (29")



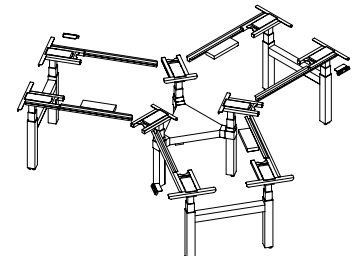
hiSpace Double-Sided Frame (HWBFYD)

- Depths (to work with worksurface depth)
 - 48", 60"
- Widths (to work with worksurface width)
 - 46", 52", 58", 64", 70"



hiSpace Single-Sided Frame (HWBFYS)

- Depths (to work with worksurface depth)
 - 24", 30"
- Widths (to work with worksurface width)
 - 46", 52", 58", 64", 70"



hiSpace 120 Frame (HWBFYT)

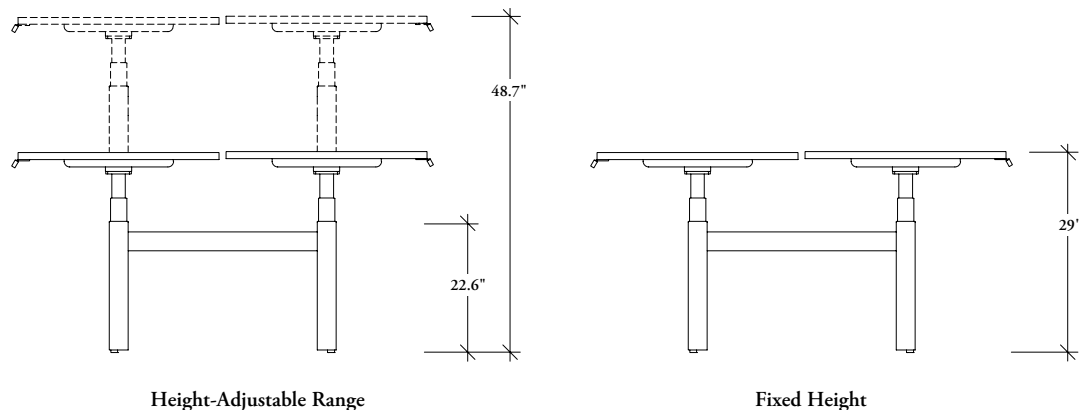
- Depths (to work with worksurface depth)
 - 24", 30"
- Widths (to work with worksurface width)
 - 46", 52", 58"

hispace planning with frames

The following should be considered when planning with height-adjustable frames.

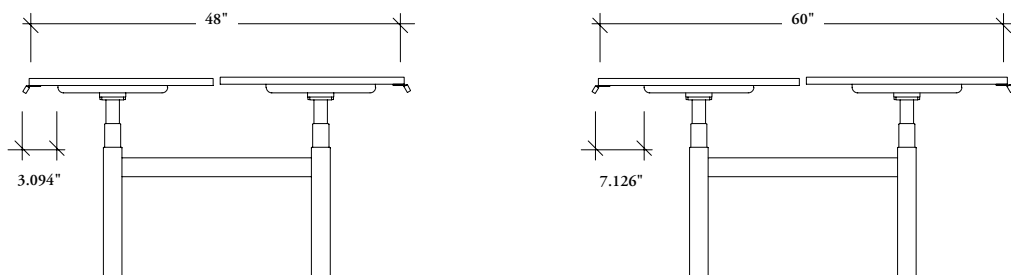
height ranges

Extended Range Electric Frame heights range from 22.6" - 48.7". The height for Fixed options is 29".

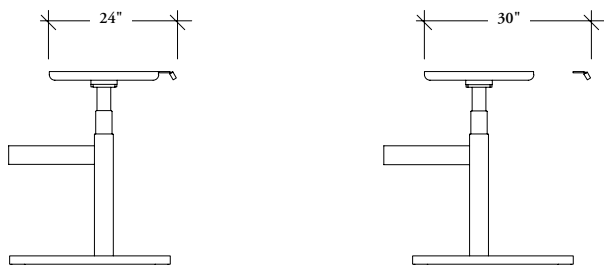


frame depths

Double-Sided and 120 Frame depths are 48" - 60".



Single-Sided Height-Adjustable Bench Frame depths are 24" - 30".

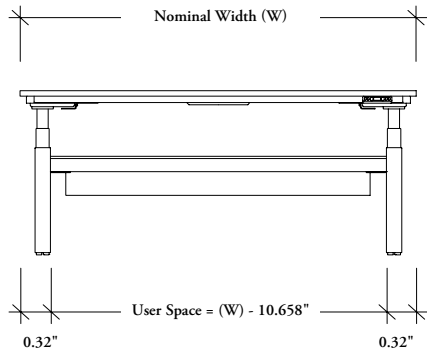


hispace planning with frames (continued)

frame widths

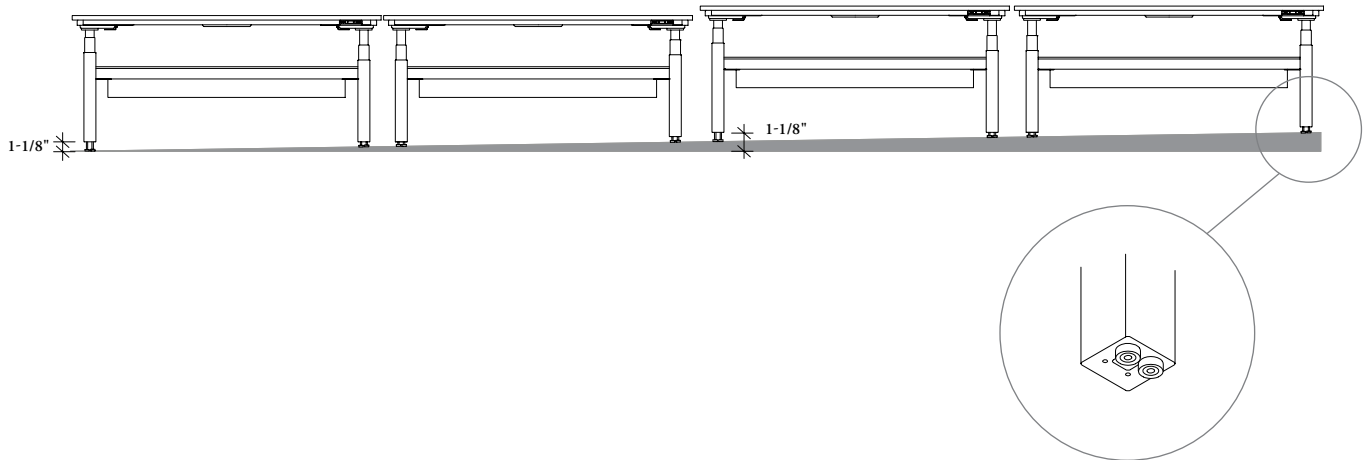
Double and Single-Sided Height-Adjustable Bench widths are nominal.

To calculate the user space between the legs of the frame, take the nominal width and - 10.658"



leveling

Double and Single-Sided benches allow for 1-1/8" of leveling. When more than 1-1/8" of leveling is required, a break in the bench run is necessary. A site check prior to order is required to determine floor levels.



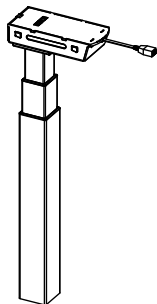
hispace planning with frames (continued)

height-adjustable vs. fixed height frames

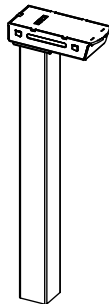
Fixed-height columns can be used to cost-reduce a project, or to gradually phase-in height adjustability as needed.

Fixed-height columns are available as an option on all hiSpace frames:

- Double-Sided
- Single-Sided
- 120 HAB
- Rectangular Tables with the exception of hiSpace Slide and hiSpace QuickConnect

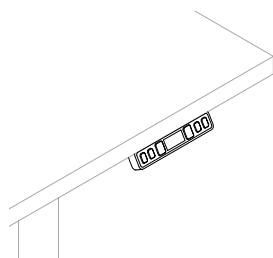


Height-Adjustable Leg



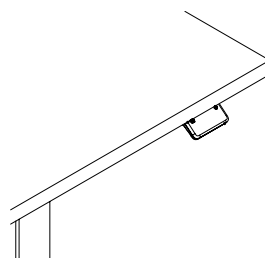
Fixed Height Leg

switches



Digital Display Switch with Memory (D)

- Push buttons to move table up and down
- Digital display for height indication
- Three programmable memory settings
- Error Code Read-Out
- Switch Finish: Platinum Coordinate

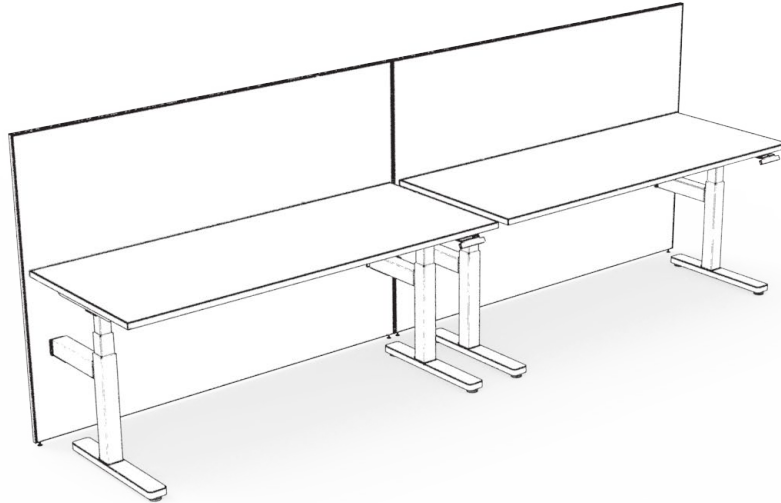


Toggle Display Switch with Memory (A)

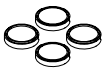
- Up-Down Toggle for Intuitive Adjustment (lift switch or push down to move table up and down)
- Digital display for height indication
- Two programmable memory settings
- Switch Finish: Black

hispace leveler extension block basics

Single-Sided Leveler Extension Blocks increase the leveling capabilities on single-sided frames.



Finishes:
- Greystone
- Platinum



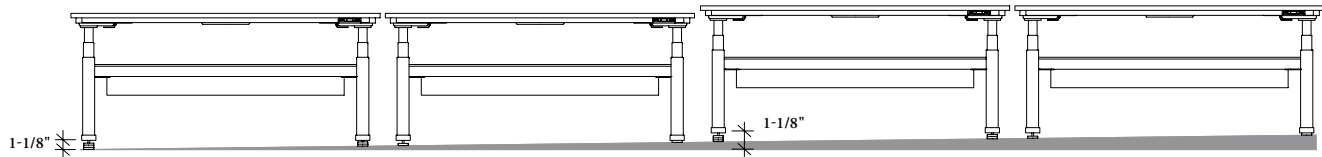
hiSpace Single-Sided Leveler Extension Blocks (HWBFWK)

- Quantity Option:
 - Package of 4
 - Package of 32

hispace planning with leveler extension blocks

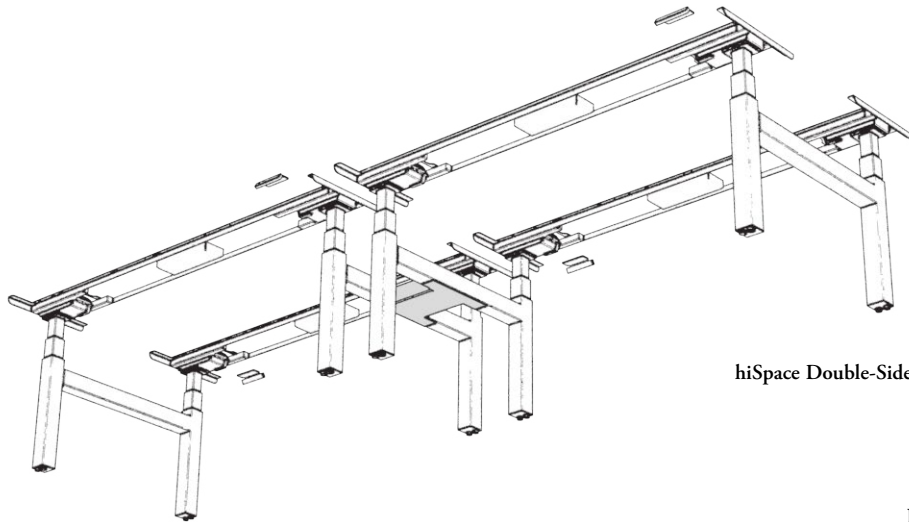
The following should be considered when planning with leveler extension blocks.

- The feet on single-sided benches allow for 3/8" of leveling. Each Leveler Extension Block increases this range by 3/8"
- It is recommended to stack no more than two Extension Blocks on each leveler, increasing the range to a maximum of 1-1/8"
- When more leveling is required, a break in the run may be required
- A site check prior to order is always recommended to understand the leveling requirements



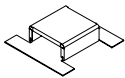
hispace base link basics

Base Links tether hiSpace height-adjustable frames to each other and ensure proper spacing.



hiSpace Double-Sided Shown

- Finishes:**
- Very White
 - Ebony
 - Platinum



hiSpace Double-Sided Base Link (HWBFBD)



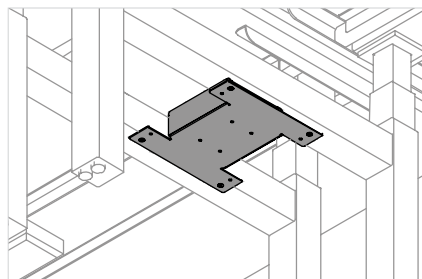
hiSpace Single-Sided Base Link (HWBFBS)

hispace planning with base links

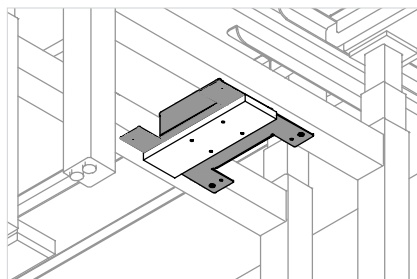
The following should be considered when planning with double and single-sided base links.

double-sided frames

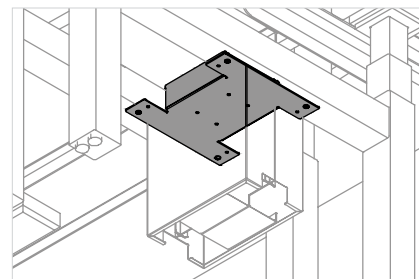
Double-Sided Base Links must be specified when connecting more than one double-sided frame together.



Base Link with no Spine Trays



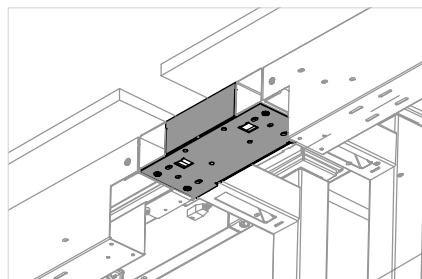
Base Link with Spine Trays



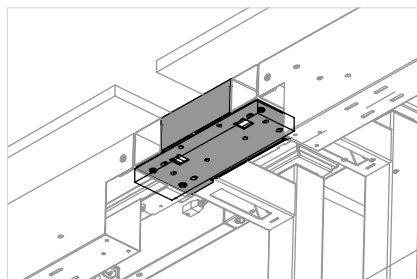
Base Link with Spine Trays and Cable Riser

single-sided frames

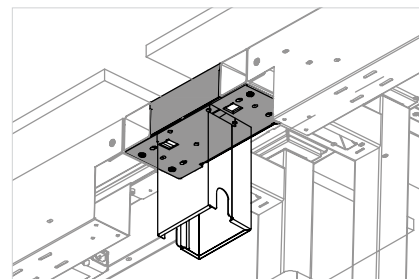
Single-Sided Base Links must be specified when connecting more than one single-sided frame together.



Base Link with no Spine Trays



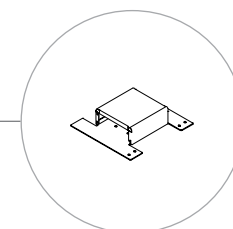
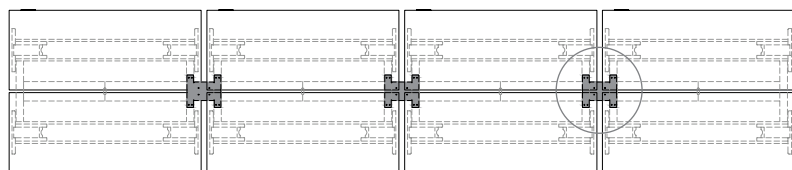
Base Link with Spine Trays



Base Link with Spine Trays and Cable Riser

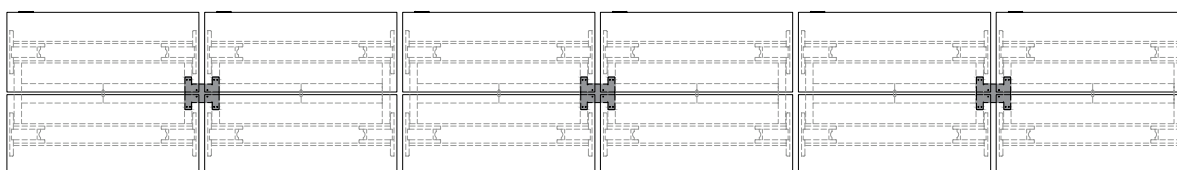
linking double-sided frames

There is no limitation as to how many double-sided frames you can join side by side, as long as the leveling does not exceed 1-1/8" at a break in the bench and electrical requirements are maintained.



Double-Sided Base Link (MHWBFD)

If longer runs are needed, smaller clusters can be parked beside each other without linking the bases.



Split

Split

hispace planning with base links (continued)

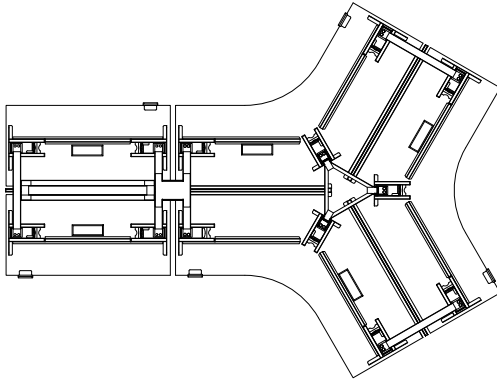
The 120 HAB Frame includes a 120 base link that ties the three center legs together and serves as support structure for spine trays and spine screens.

120 frames

Accessories and add-ons from the current Linear HAB catalogue should be specified when planning with 120 frames:

- Spine Trays
- Spine Screens
- Desk Edge Screens

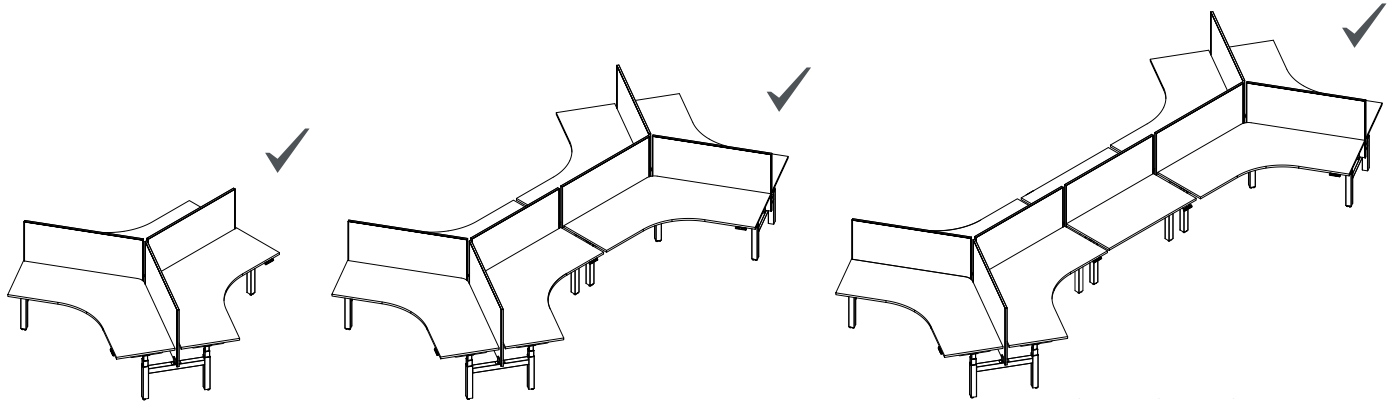
Add-ons should match the nominal size of the frame.



Frames can be linked together to create innovative workstation clusters.

Frame Links connect two frames side by side to allow power to continue between the frames and ensure accurate spacing.

Rectangular Double-Sided and 120 Frames can be connected to each other.



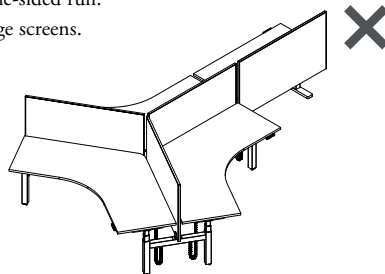
120 Frame - 3 Pack

120 Frame - 6 Pack

120 Frame + Linear Double-Sided HAB - 8 Pack

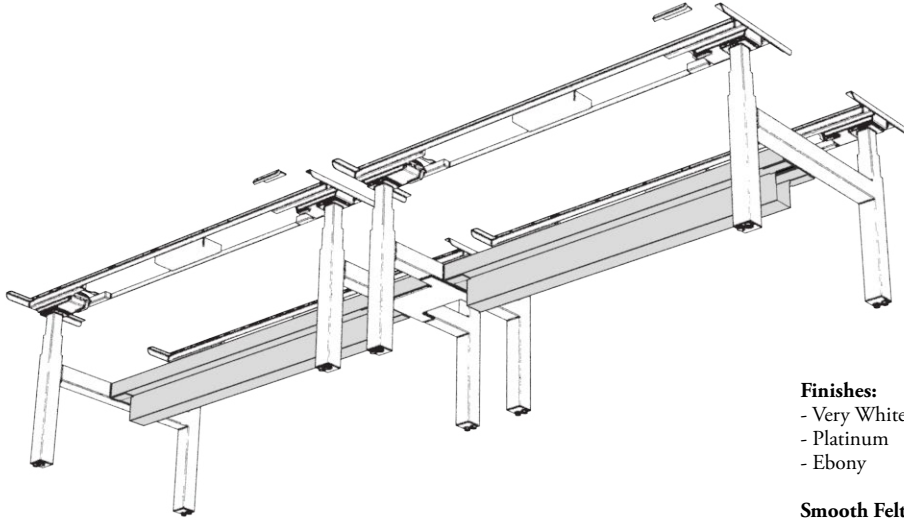
A single-sided run cannot be attached to a double-sided run.

Spine screens cannot be combined with desk edge screens.



hispace spine tray basics

HiSpace Spine trays serve as a raceway for power and data cables.



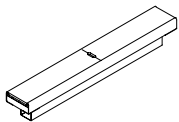
Finishes:

- Very White
- Platinum
- Ebony

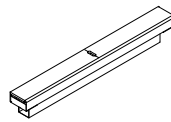
Smooth Felt Cover Finishes

- Pewter
- Lunar
- Admiral Blue
- Sumac
- River Rock

- Widths:
 - 46", 52", 58", 64", 70"
- Power Module Cover
 - No Cover
 - Single Cover



hiSpace Double-Sided Spine Tray (HWBFTH)



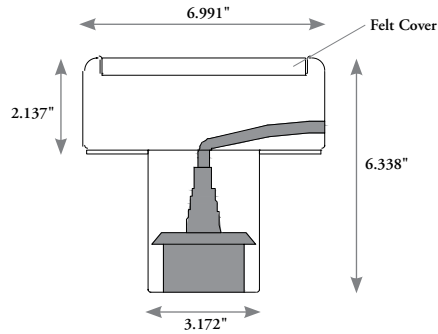
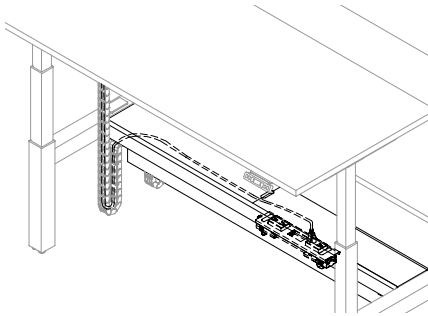
hiSpace Single-Sided Spine Tray (HWBFSH)

hispace planning with spine trays

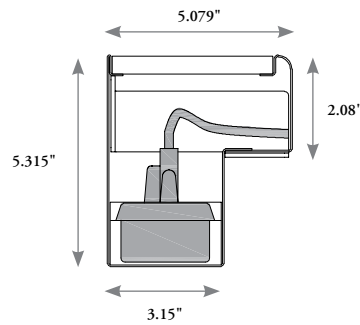
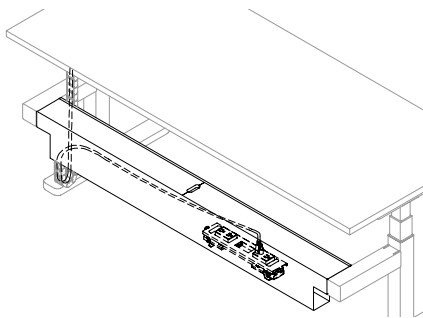
The following should be considered when planning with hiSpace spine trays.

Spine trays accommodate data and electric cables only. Spine trays are universal across the program and the same restrictions with regards to specifying electrics within the spine trays still apply.

double-sided and 120 frames

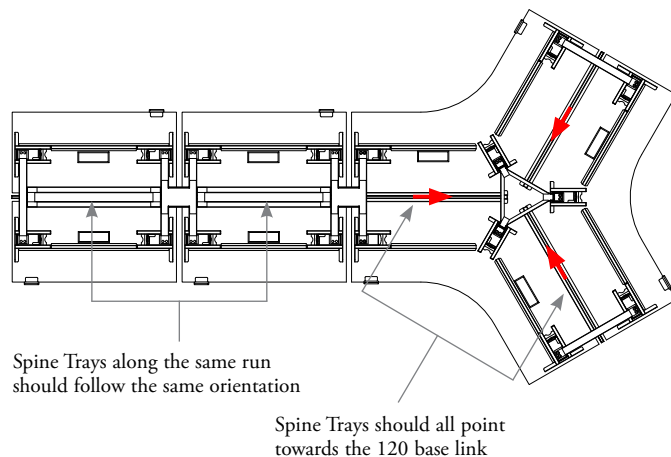


single-sided frames



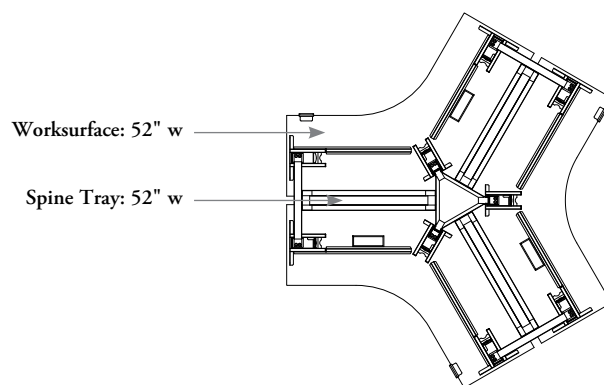
hispace planning with spine trays (continued)

The following should be considering when planning with Spine Trays between linear HAB and 120 HAB.



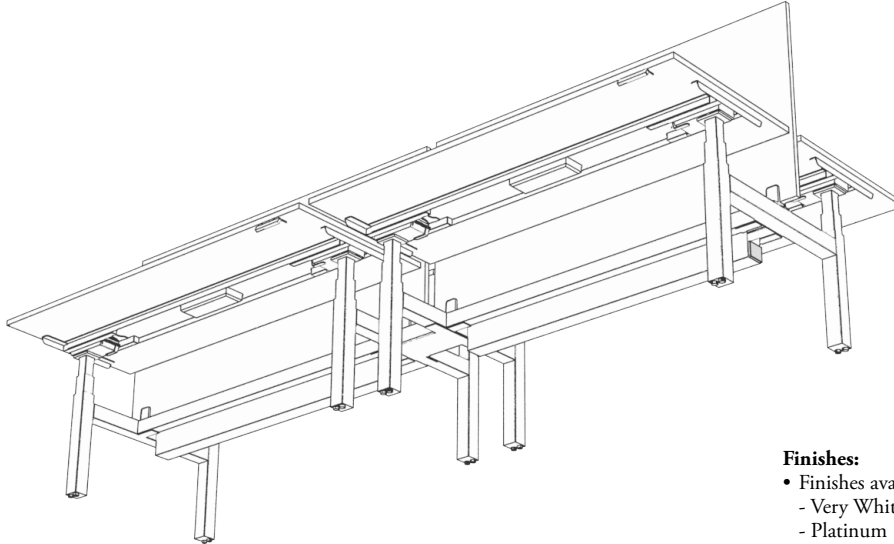
120 HAB frames are designed to be used with standard Double-Sided Spine Trays.

When planning with 120 frames, as with the Double-Sided Linear Bench, specify the width of the spine tray to match the width of the worksurface.



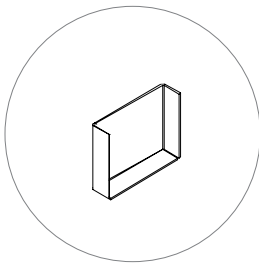
hispace spine tray end cover basics

Spine Tray End Covers cap off the exposed end of the last spine tray of a bench run and are specified at each end where there are no end cable risers, end gables or end of run screens.



Finishes:

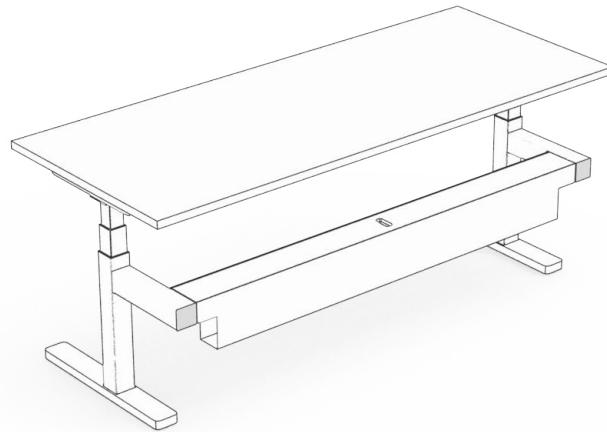
- Finishes available:
 - Very White
 - Platinum
 - Ebony



hiSpace Spine Tray End Cover (HWBFTC)

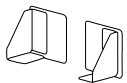
hispace single-sided frame weldment cover basics

Frame Weldment Covers are used to cap off the back of the horizontal bar on a single-sided frame.



Finishes:

- Finishes available:
 - Very White
 - Platinum
 - Ebony

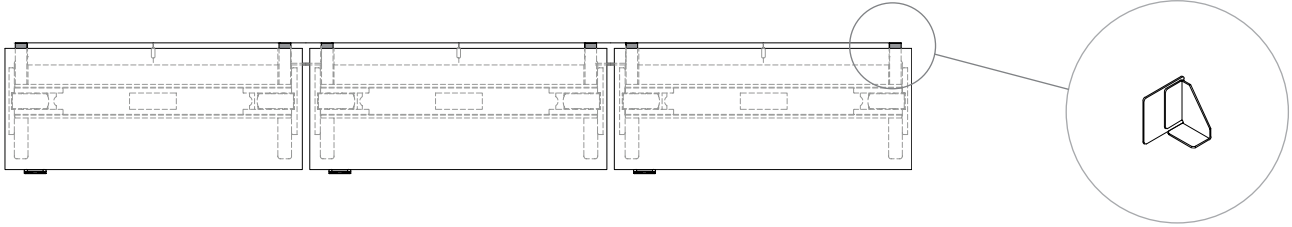


hiSpace Single-Sided Frame Weldment Cover
(HWBFSC)

hispace planning with single-sided frame weldment covers

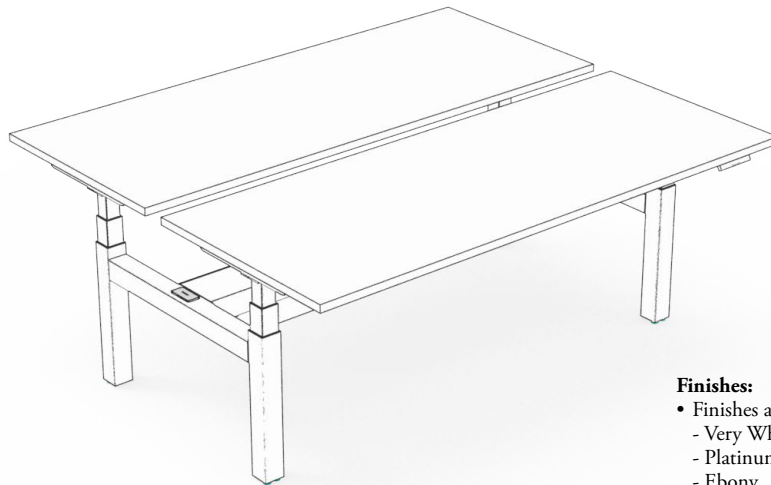
The following should be considered when planning with the single-sided frame weldment covers.

Specify one set per workstation when there is no corridor screen.



hispace no spine screen cover basics

The Universal Spine Tray Cover is secured by an integrated magnet and used to hide threaded inserts in the frame that are unused in certain configurations.



Finishes:

- Finishes available:
 - Very White
 - Platinum
 - Ebony

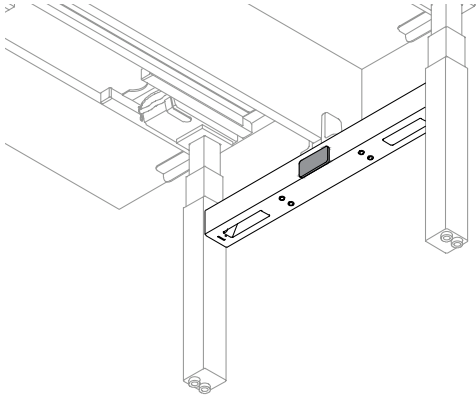


hiSpace No Spine Screen Cover Plate (HWBFTV)

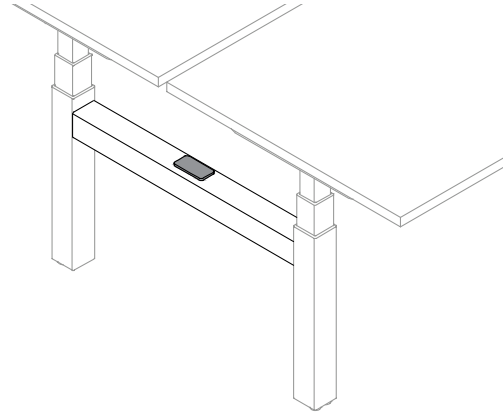
- Available in pairs

hispace planning with no spine screen covers

The following should be considered when planning with No Spine Screen Cover Plate



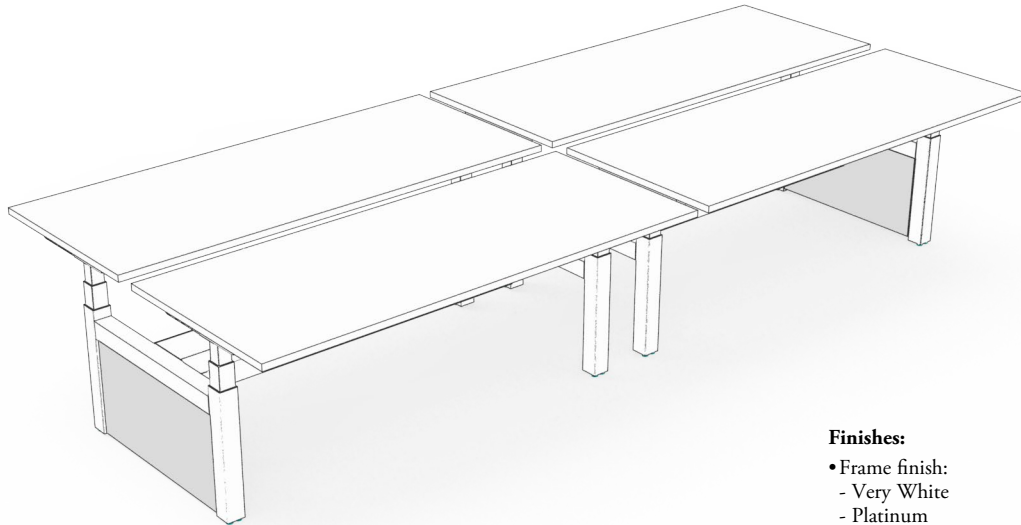
When no spine tray is specified, there will be inserts left exposed on each side of the frame.



When there is no spine screen specified or if a desk edge infinity screen is specified, the inserts for the spine screen are exposed.

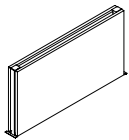
hispace double-sided end gable basics

Double Sided End Gables provide a more enclosed tailored look to the Double Sided and 120 height-adjustable bench frame.



Finishes:

- Frame finish:
 - Very White
 - Platinum
 - Ebony
- Outer Finish Options:
 - Metal (Very White or Ebony)
 - Laminate (Source Laminates or Foundation Laminates)
 - Smooth Felt (Lunar or Pewter)
- Inner Finish Options:
 - Very White
 - Ebony

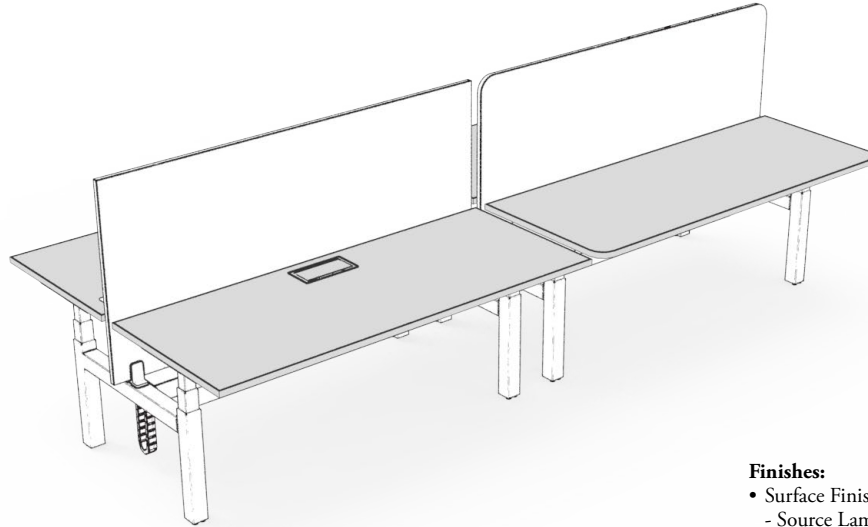


hiSpace Double-Sided End Gable (HWBCGE)

- Depths available:
 - 48", 60"

hispace double & single-sided rectangular worksurface basics

Rectangular Worksurfaces are available with a gap to accommodate screens. Power accessibility is available through the worksurface to spine to accommodate screens and pinch clearances.

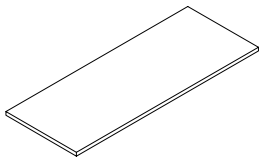


- Depths:
 - 23", 29"
- Widths:
 - 46" 52", 58", 64", 70"
- Access Door Cut :
 - None
 - Center Access Door cut out

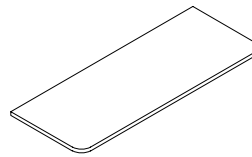
- Grommet Cut Out Locations:
 - No Grommet
 - Left, Right and Center
 - Left and Right
 - Center and Right
 - Center and Left
 - Left and Right
 - Left
 - Right
 - Center

Finishes:

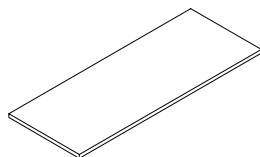
- Surface Finishes available:
 - Source Laminate
 - Foundation Laminate
- Grommet Cap Finishes available:
 - Very White
 - Platinum
 - Ebony
- Access Door Finish:
 - Metal
 - Accent



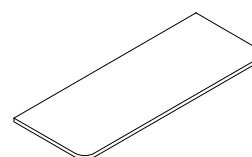
hiSpace Double-Sided Rectangular Worksurface with Square Corners (HWBWBD)



hiSpace Double-Sided Rectangular Worksurface with Radius Corners (HWBWJD)



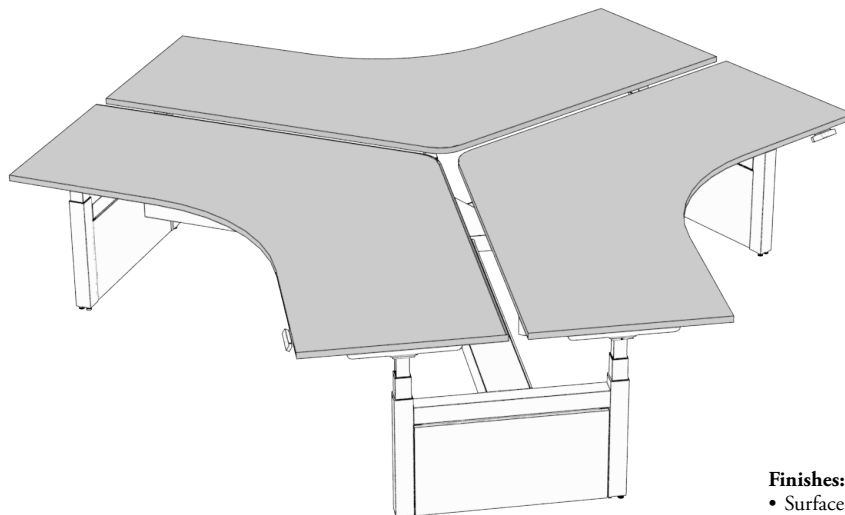
hiSpace Single-Sided Rectangular Worksurface with Square Corners (HWBWBS)



hiSpace Single-Sided Rectangular Worksurface with Radius Corners (HWBWJS)

hispace 120 worksurface basics

The hiSpace 120 worksurface is to be paired with the 120 frame to create a height-adjustable 120 bench station.

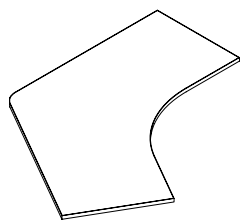


- Depths:
 - 23", 29"
- Widths:
 - 46" 52", 58"
- Access Door Cut :
 - None
 - Left and Right Door Cut Out
 - Left Access Door Cut Out
 - Right Access Door Cut Out

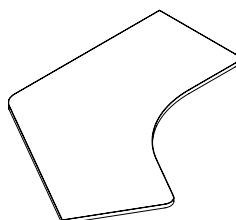
- Grommet Cut Out Locations:
 - No Grommet
 - Center
 - Left
 - Right
 - Left and Right
 - Center, Left and Right

Finishes:

- Surface Finishes available:
 - Source Laminate
 - Foundation Laminate
- Grommet Cap Finishes available:
 - Very White
 - Platinum
 - Ebony
- Access Door Finish:
 - Metal
 - Accent



hiSpace 120 Worksurface with Square
Corners (HWBWB T)



hiSpace 120 Worksurface with Radius
Corners (HWBWJ T)

hispace planning with worksurfaces

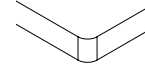
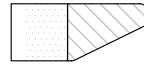
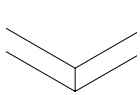
The following should be considered when planning with hiSpace Rectangular and 120 worksurfaces.

edge trims

The following edge trim styles are available on hiSpace Double-Sided, Single-Sided and 120 worksurfaces. Worksurfaces with Radius Corners are only available with straight trim.

Worksurfaces with Square Corners

Worksurfaces with Radius Corners



Straight Trim

Flat Trim

Bullnose Trim

Flat Knife Trim

Straight Trim

user edge



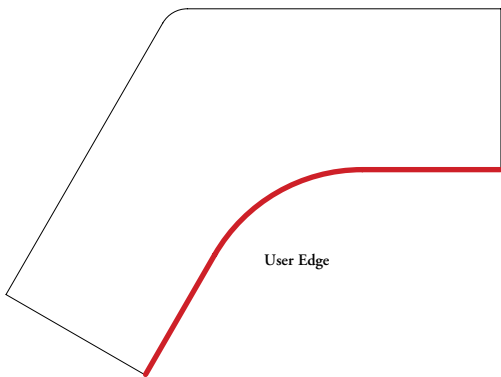
User Edge

Double-Sided Rectangular Worksurface
with Square Corners
Bullnose and Full Knife trim along user edge only



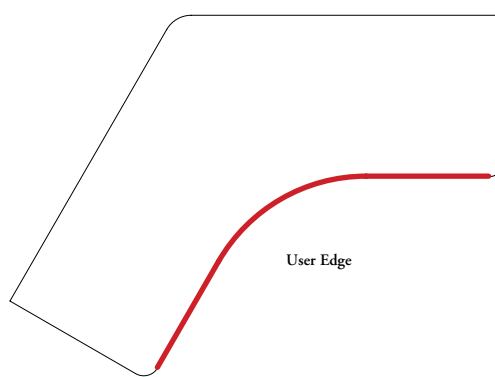
User Edge

Double-Sided Rectangular Worksurface
with Radius Corners
Radius corners along user edge only



User Edge

120 Worksurface with Square Corners
Bullnose and Full Knife trim along user edge only



User Edge

120 Worksurface with Radius Corners
Radius corners along user edge only

hispace planning with worksurfaces (continued)

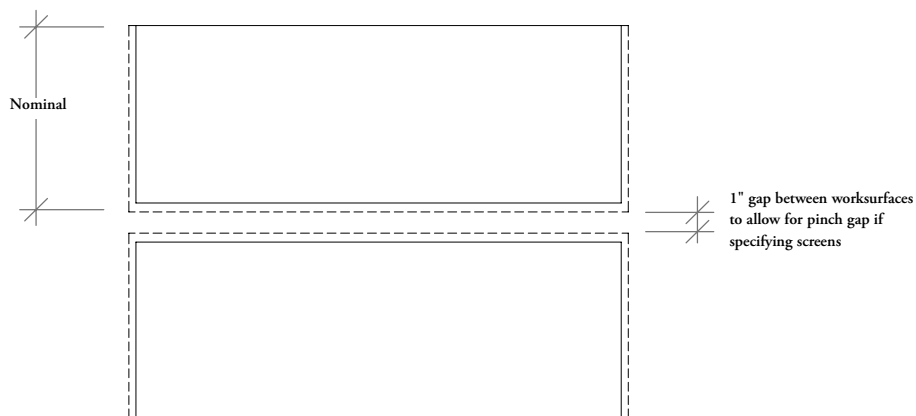
depths and widths

Worksurface depths and widths are nominal.

Depths

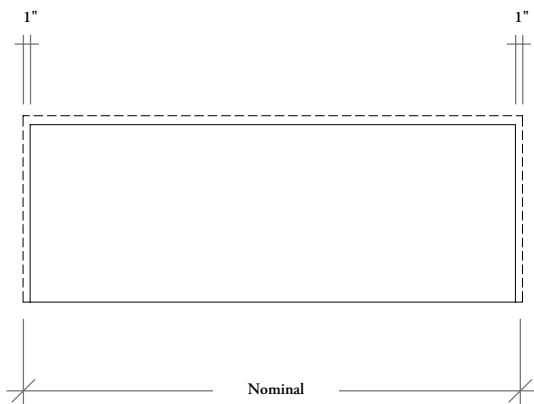
When specifying worksurfaces for a Double-Sided Bench, two worksurfaces per workstation must be specified:

- Frame Depth 48" must be paired with Worksurface Depth 23", quantity 2
- Frame Depth 60" must be paired with Worksurface Depth 29", quantity 2



Widths

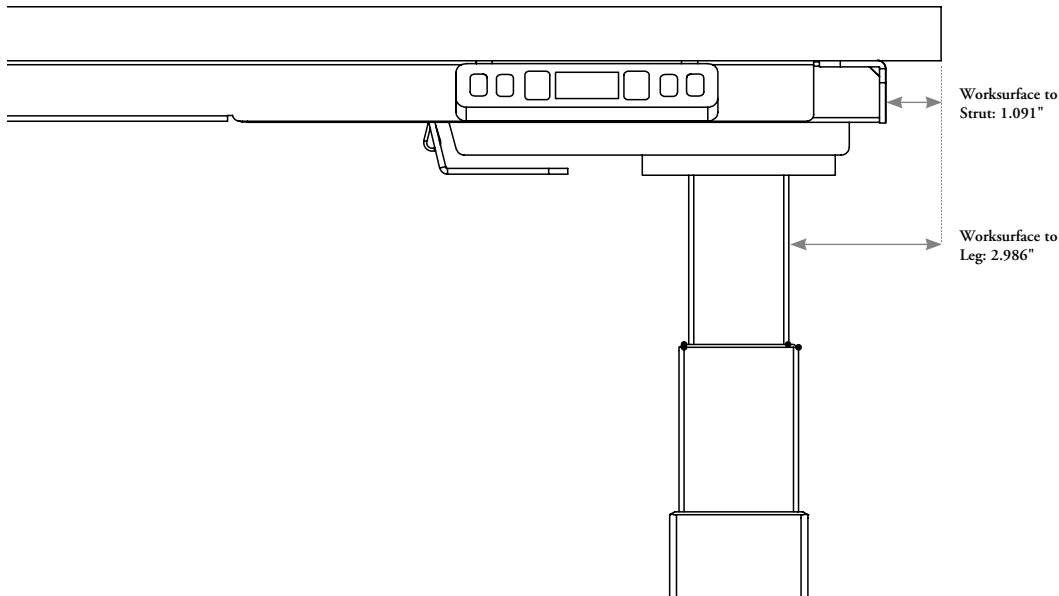
All worksurfaces must have 1" clearance around the sides for a pinch gap.



hispace planning with worksurfaces (continued)

The following should be considered when planning with hiSpace 120 worksurfaces.

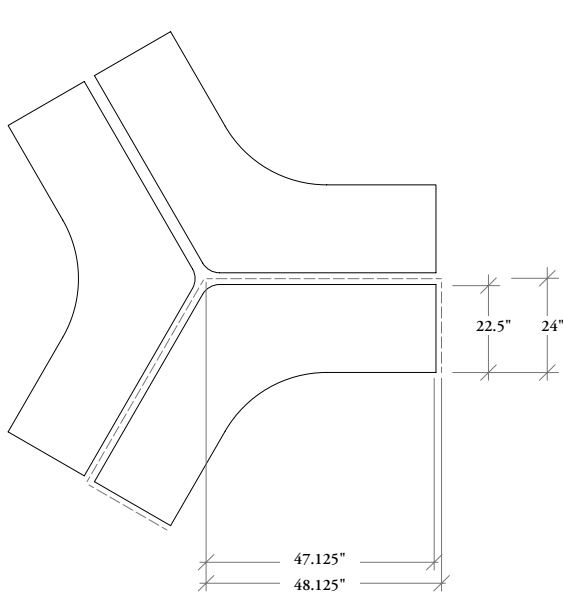
The worksurface position on the frame for 120 HAB is identical to the Double-Sided Linear Bench.



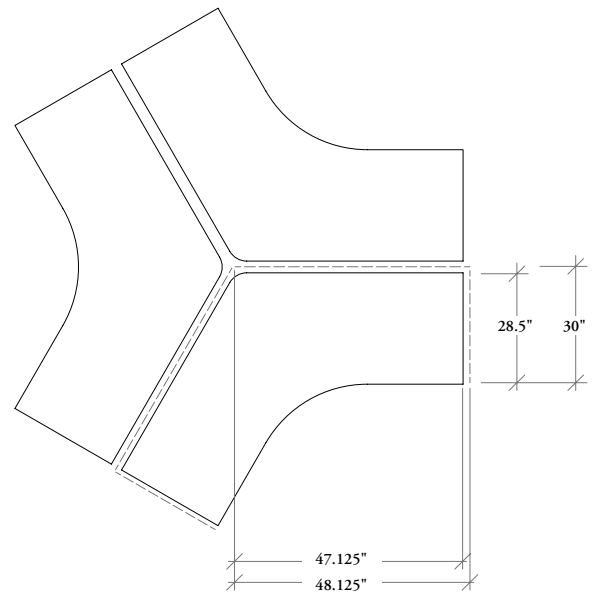
The workstation footprint of 120 HAB has a slight difference in nominal width from Linear HAB.

For 120 Worksurface every size will have the extra 2.125" along that workstation footprint.

A 46" worksurface has an actual footprint of 48.125".



Worksurface size: 46" w x 23" d

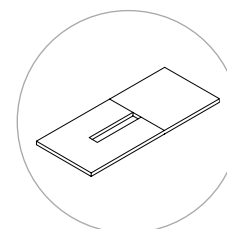
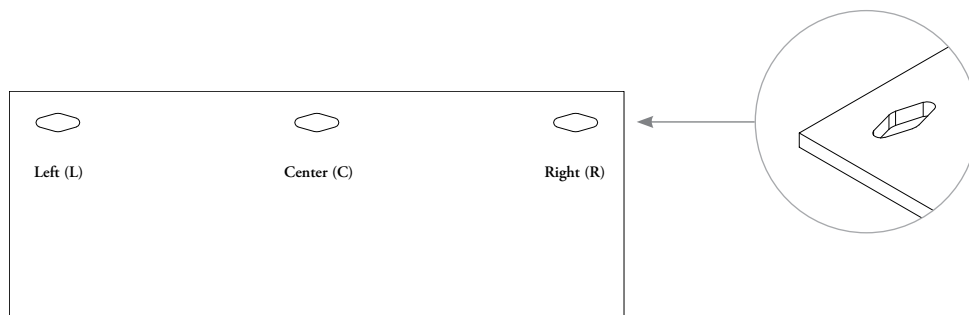


Worksurface size: 46" w x 29" d

hispace planning with worksurfaces (continued)

grommet cut out locations for rectangular worksurfaces

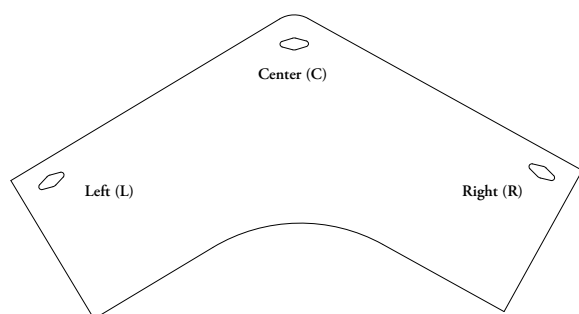
- Grommet cut out locations:
 - None
 - Center
 - Left
 - Right
 - Left & Right
 - Center & Left
 - Center & Right
 - Center, Left & Right



A grommet cap is **not** provided when a cut out is specified. Grommet caps are available from *Complements: Teknion's Ergonomics & Accessories Program*

grommet cut out locations for 120 worksurfaces

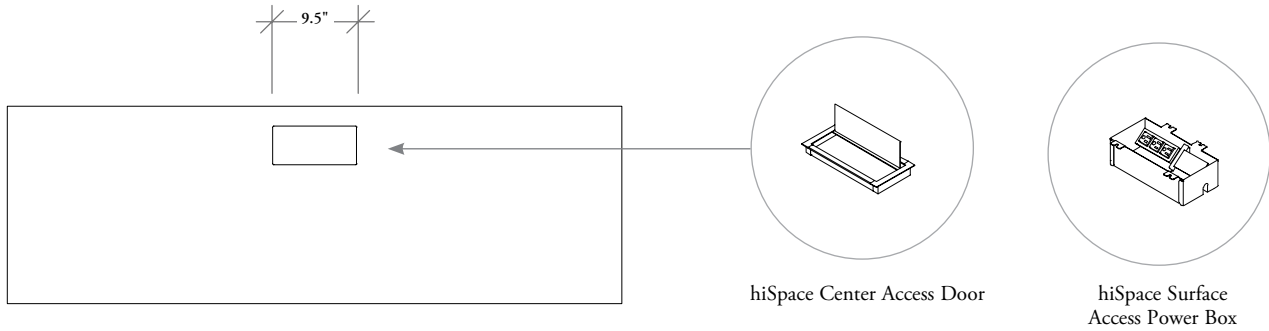
- Grommet cut out locations:
 - None
 - Center
 - Left
 - Right
 - Left & Right
 - Center, Left & Right



hispace planning with worksurfaces (continued)

center access door cut out for rectangular worksurfaces

- Center Access Door options:
 - None
 - Center Access Door

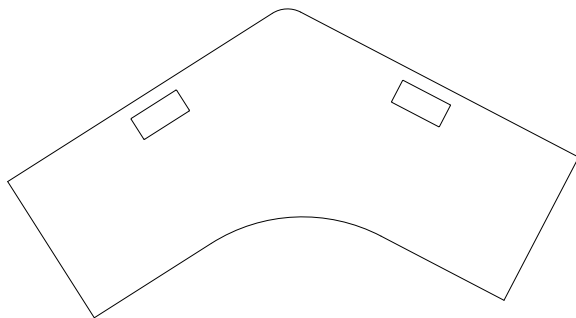


When a Center Access Door cut out is specified on a worksurface, a hiSpace Center Access Door must be ordered separately.

In addition, hiSpace Surface Access Power Box must be ordered separately to complete the worksurface integrated solution.

access door cut out for 120 worksurfaces

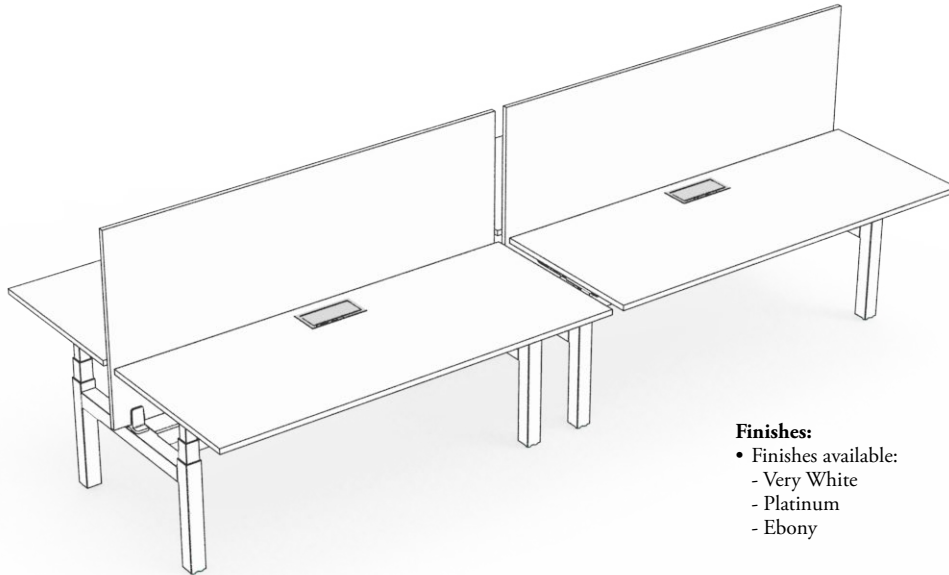
- Access Door options:
 - None
 - Left Access Door
 - Right Access Door
 - Left & Right Access Door



hispace center access door basics

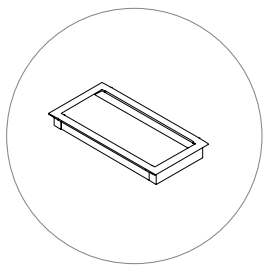
Center Access Doors provide accessibility through the Center Access Door cut out.

hiSpace Surface Access Power Boxes and hiSpace Center Access Doors must be specified separately but is used in conjunction with each other.



Finishes:

- Finishes available:
 - Very White
 - Platinum
 - Ebony



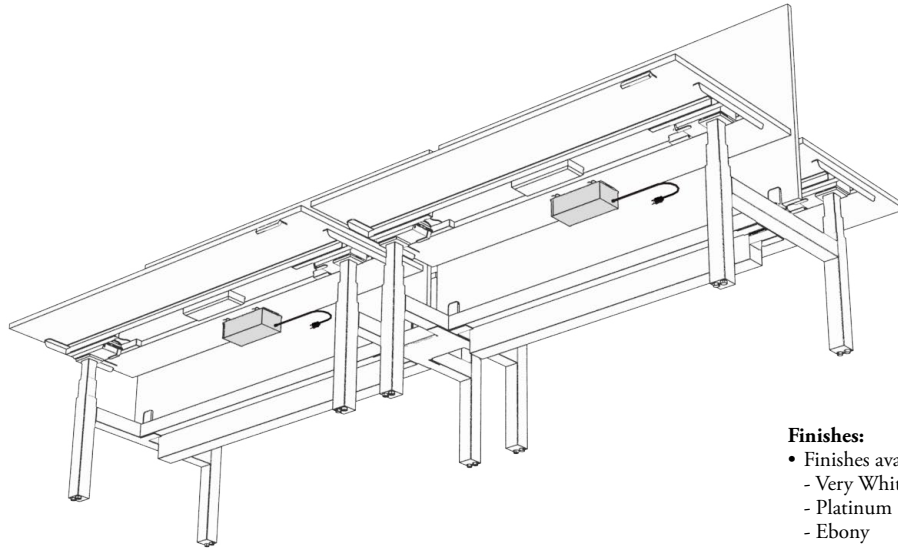
hiSpace Center Access Door (HWBECD)

- Width:
 - 9"

hispace surface access power box basics

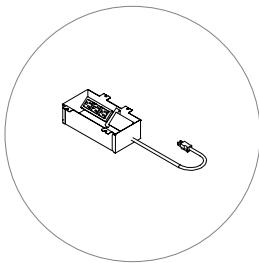
hiSpace Surface Access Power Boxes provide a worksurface integrated user power solution.

hiSpace Surface Access Power Boxes and hiSpace Center Access Doors must be specified separately but used in conjunction with each other.



Finishes:

- Finishes available:
 - Very White
 - Platinum
 - Ebony



hiSpace Surface Access Power Box (HWBEAP)

- Depth: 4"
- Width: 9"
- Configurations:
 - 3 Power
 - 2 Power + 1 USB
- Cord Length:
 - 9'
 - 10'
 - 15'
- Country of Install
 - Canada/USA
- Available in a One Table One Plug - Above and Below version: Above and Below Surface Access Power Box (YEABAP), available from *Complements: Teknion's Ergonomics & Accessories Program*

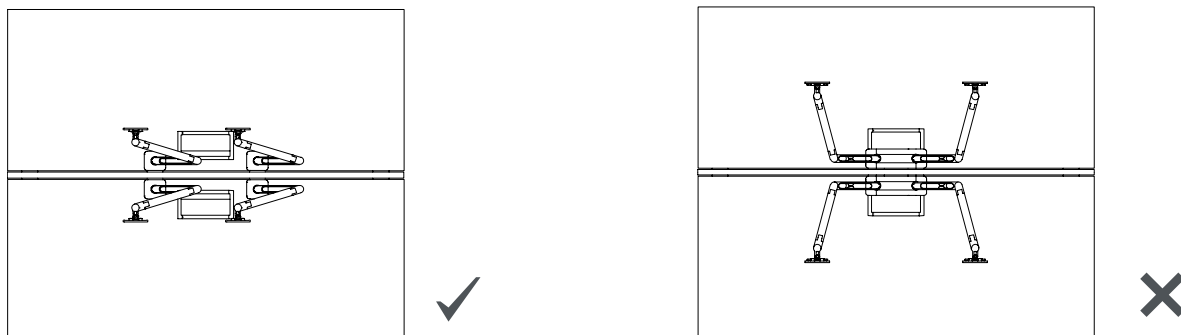
hispace planning with center access doors & surface access power box

The following should be considered when planning with the hiSpace Surface Access Power Box.

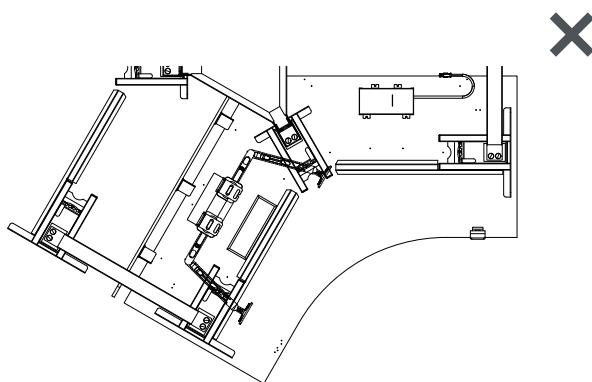
hiSpace Surface Access Power Boxes and hiSpace Center Access Doors must be specified separately but used in conjunction with each other.

hiSpace Surface Access Power Boxes and hiSpace Center Access Doors with monitor arms

It is recommended to specify two single monitor arms with hiSpace Center Access Doors and hiSpace Surface Access Power Boxes.



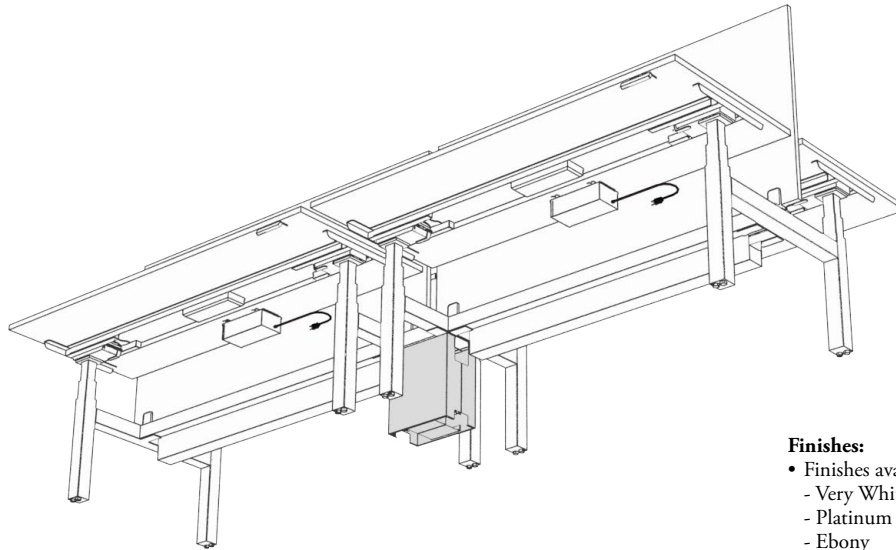
When Desk Edge Screen, Center Access Door are specified with 46" Worksurface, there is insufficient space for a Dual Swerv Arm (YMSS22). Minimum Worksurface size is 52" for this combination. Grommet-mounted accessories can be used as an alternative.



hispace cable riser basics

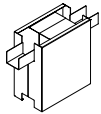
Cable Risers are used to conceal and provide a path to feed and mount base feed power into the benching system.

The 120 HAB Frame includes a 120 base link that ties the three center legs together and serves as support structure for spine trays and spine screens. The 120 Link with 120 Wire Bridge and the 120 Base Link with 120 Mid Cable Rise can be specified separately.

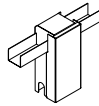


Finishes:

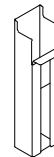
- Finishes available:
- Very White
- Platinum
- Ebony



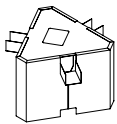
hiSpace Double-Sided Cable Riser - Mid (HWBECMD)



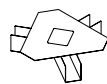
hiSpace Single-Sided Cable Riser – Mid (HWBECMS)



hiSpace Cable Riser – End (HWBECE)



hiSpace 120 Cable Riser - Mid (HWBECMT)



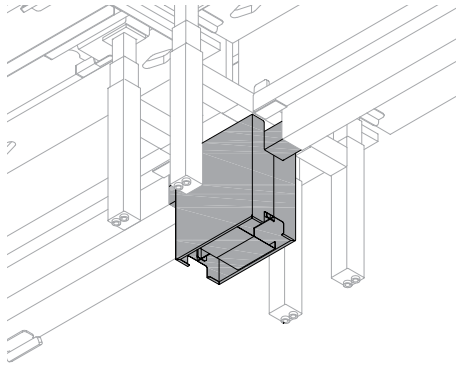
hiSpace 120 Wire Bridge (HWBEWT)

hispace planning with cable risers

The following should be considered when planning with Double and Single-Sided Cable Risers - Mid.

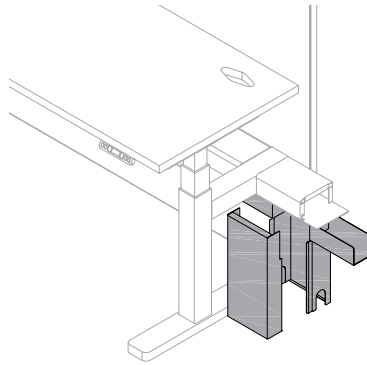
- Double and Single-Sided Cable Risers - Mid attach to the Frame and will allow for the main power source to route from the floor to the workstation through the spine tray

Double-Sided Cable Riser



With Spine Tray

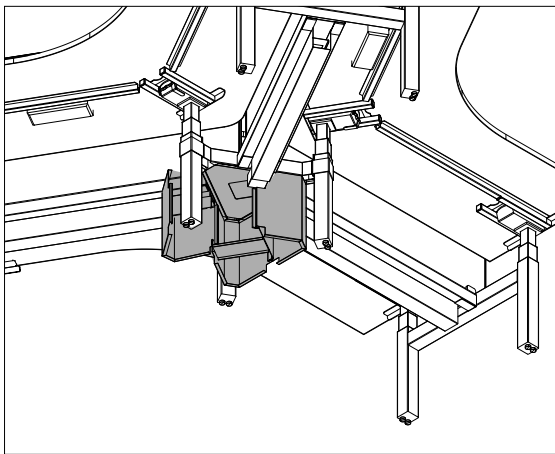
Single-Sided Cable Riser



With Spine Tray

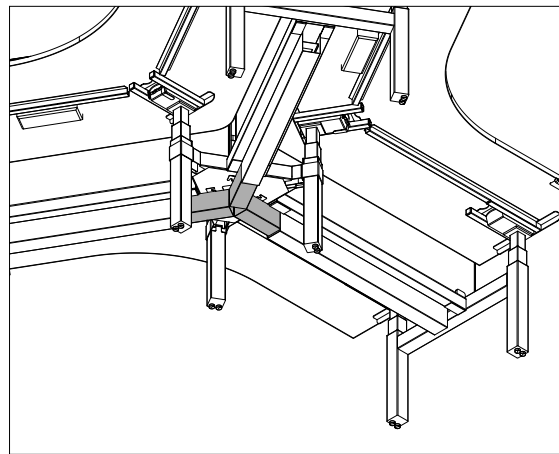
120 Cable Riser

The base link for 120 HAB is already included in the frame. It is fastened to the underside of the integrated 120 base link that is part of the frame.



Three types of base feed can be hosted within the 120 mid-cable riser:

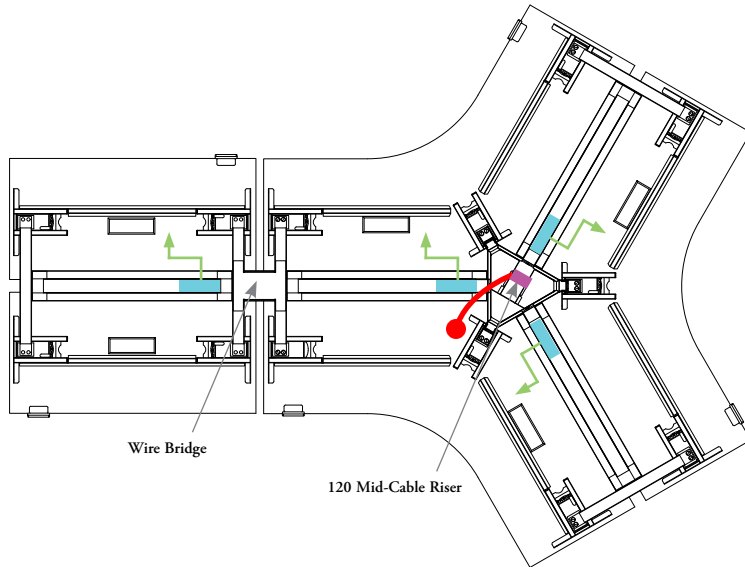
- Standard Base Feed
- Split Base Feed
- Chicago Base Feed







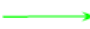
When feeding power through the central column is not required, a 120 wire bridge can be specified to facilitate cable travel across the three spine trays.

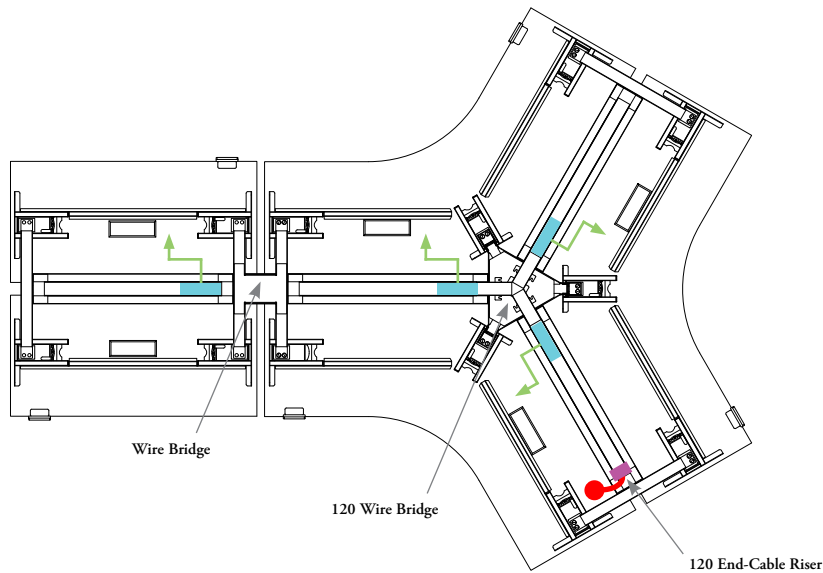
hispace planning with cable risers (continued)

The following should be considered when planning with 120 Cable Risers.



Wiring with mid cable riser entry

-  Source (e.g. floor monument)
-  Base Feed
-  Power Module
-  Power Harness
-  Power Supply Cord (e.g. YEPD)

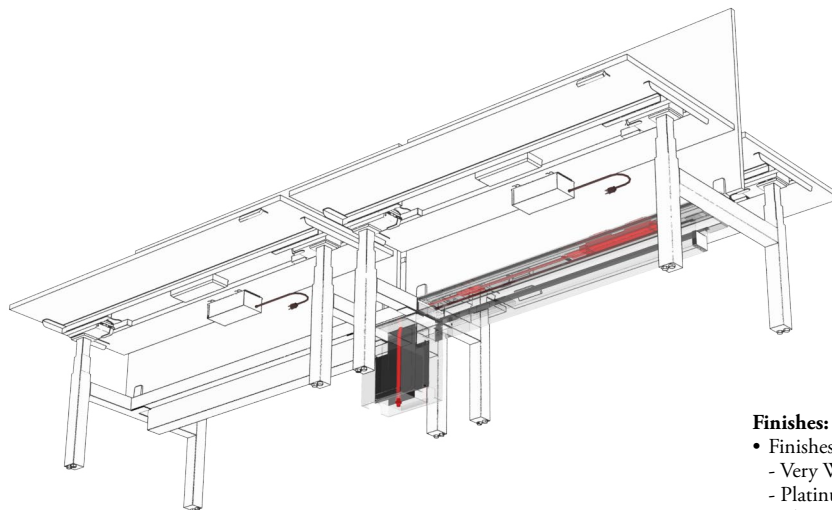


Wiring with end cable riser entry

hispace base feed basics

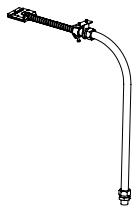
Base Feeds are used to connect building hardwired electrics to the modular electrics specified in the bench system

- Base feeds can be routed into the bench system in the end or mid conditions



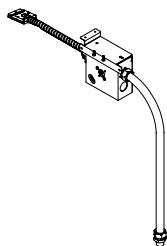
Finishes:

- Finishes available:
 - Very White
 - Platinum
 - Ebony



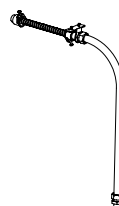
hiSpace Base Feed (HWBEBF)

- Provides routing for power from the floor to a Power Module through the Spine Tray
- Lengths:
 - 72" and 144"
- Wire systems include:
 - 8-Wire Isolated Ground (8T)
 - 8-Wire Dual Isolated (8K)
 - 7-Wire Non Isolated Ground (7T)
 - 7-Wire Dual Non Isolated (7K)



hiSpace Split Base Feed (HWBEBFS)

- Provides routings for power from the floor to a Power Module with a Wire Channel and is wired into the building power source in two locations for New York City wiring restrictions
- Lengths:
 - 18" (NYC Only) and 72"
- Wire systems include:
 - 8-Wire Isolated Ground (8T)
 - 8-Wire Dual Isolated (8K)
 - 7-Wire Non Isolated Ground (7T)
 - 7-Wire Dual Non Isolated (7K)
- Includes PVC free option if specified



hiSpace Chicago Base Feed (HWBEBFCH)

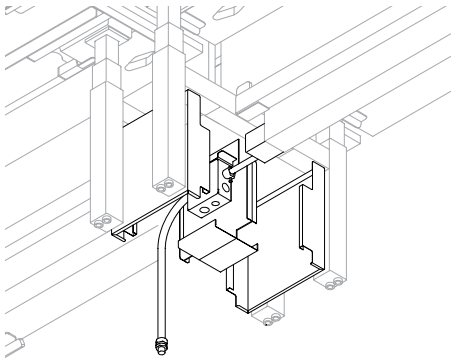
- Required for city of Chicago electrical code requirements
- Lengths:
 - 72" and 144"

hispace planning with base feeds

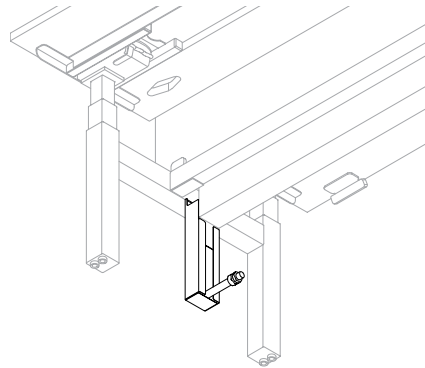
The following should be considered when planning with Base Feeds.

Mid and End Cable Risers allow base feeds from either end or mid way of the bench to connect to both Double and Single-Sided Spine Trays.

Base Feed with Double-Sided Cable Riser - Mid



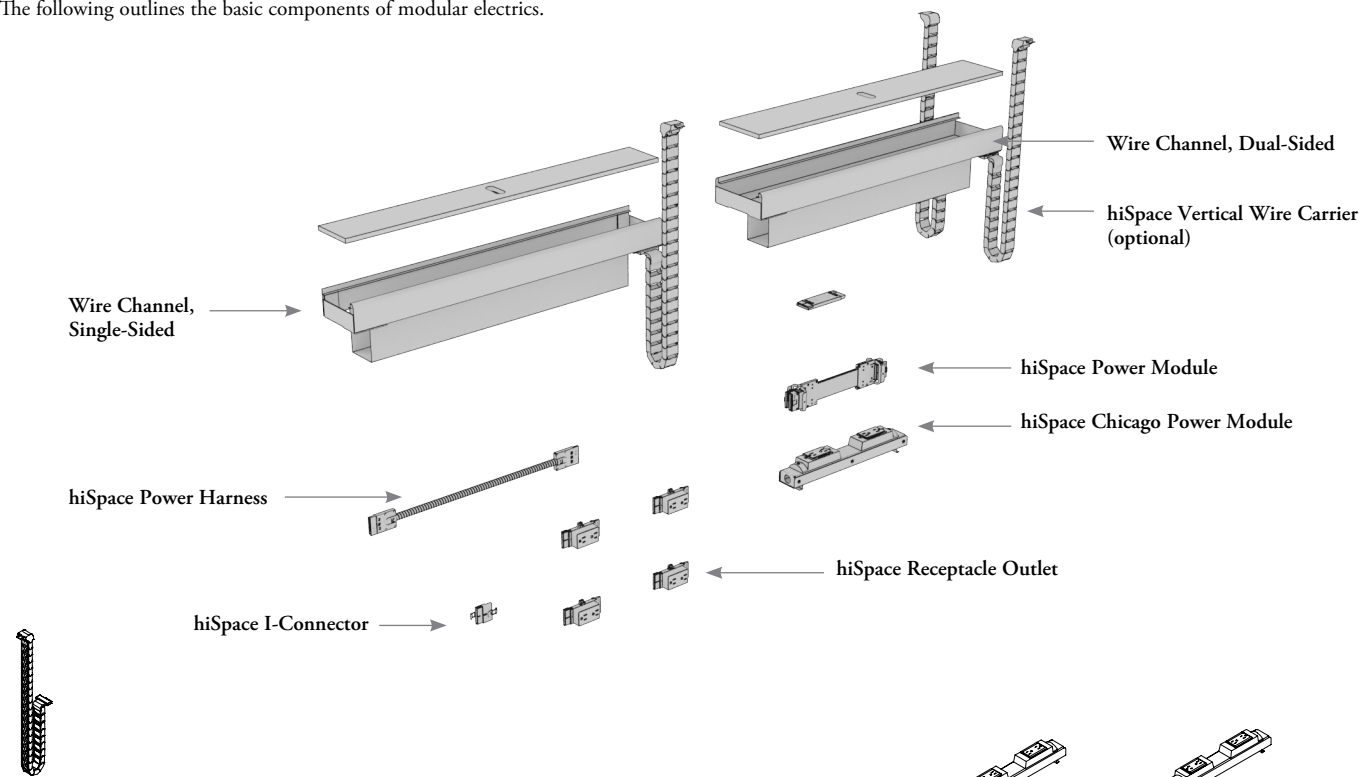
Base Feed with End Cable Riser



hispace wire management basics

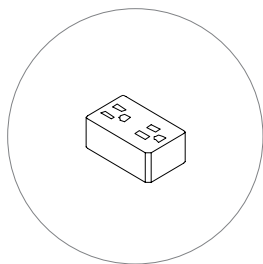
hiSpace Height-Adjustable Bench provides a modular electrics option for power and data distribution.

The following outlines the basic components of modular electrics.



hiSpace Vertical Wire Carrier (HWBEEE)

- Mounts to Navigate Wire Channel and transfers vertical cables to the worksurface integrated center channel
- Finishes:
 - Ebony Coordinate
 - Platinum Coordinate
 - Very White Coordinate



hiSpace Power Module (HWBEPM)

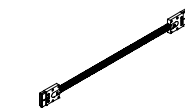
- Mounts in the Wire Channel and accepts outlets for hardware electrics
- Includes module bezel
- Wire systems include:
 - 8-Wire Isolated Ground (7T compatible)
 - 8-Wire Dual Isolated (7K compatible)
- PVC free option available if specified

hiSpace Chicago Power Module (HWBEPMCH)

- Required for city of Chicago electrical code requirements
- Application:
 - Facing Up
- Configuration:
 - Double
 - Quad
- Receptacle Style:
 - Standard 15 Amp
 - T-Slot 20 Amp
 - Controlled 15 Amp
 - Controlled 20 Amp
- Bracket finished in Mica Platinum

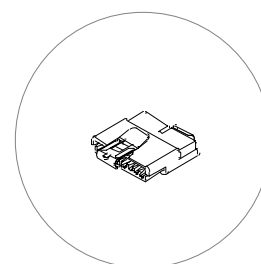
hiSpace Receptacle Outlet (HWBERO)

- Mounts onto the Power Module to provide access to power
- Styles include:
 - Standard 15 amp
 - T-Slot 20 amp
 - Controlled 15 amp
 - Controlled 20 amp
- Outlet configurations consist of Circuit 1, Circuit 2, Circuit 3 (used with 7T only), Circuit 5 (used with 8T and 8K only), Circuit 6 (used with 88K only), Circuit A Non Isolated Ground (use with 7T and 7K only), Circuit B Non Isolated Ground (use with 7K only)
- Finished in Platinum



hiSpace Power Harness (HWBEPH)

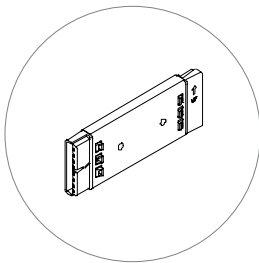
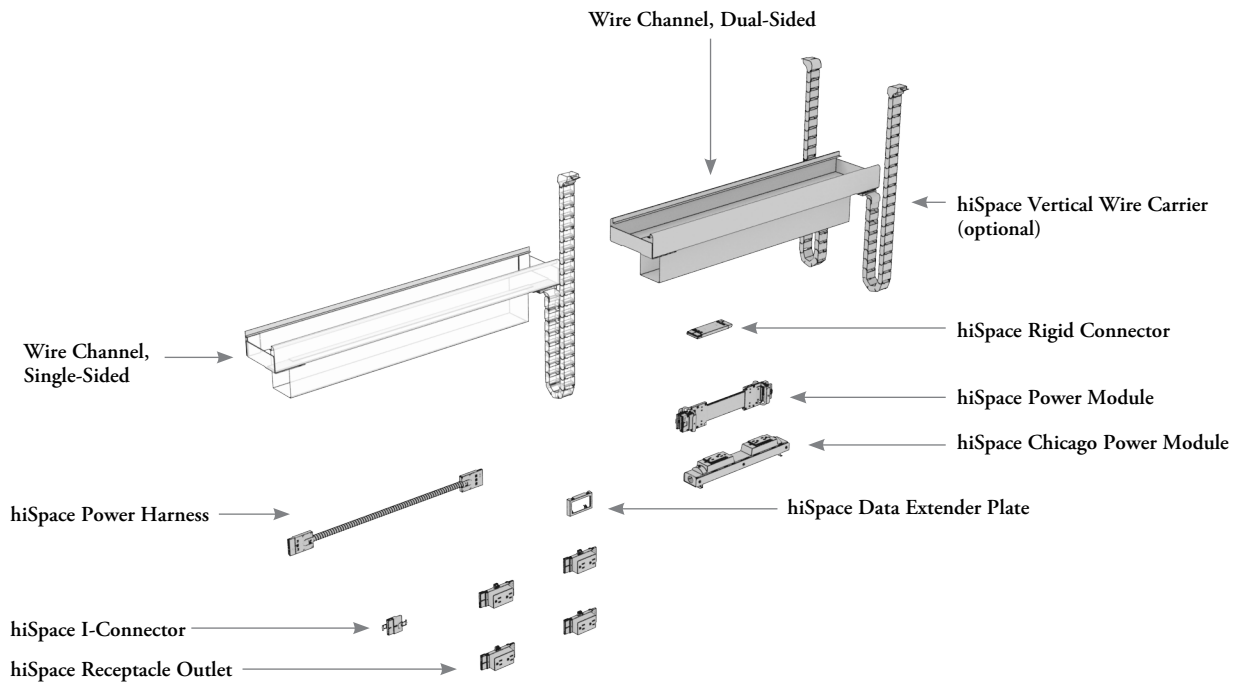
- Routes powers from one power module to another
- Lengths:
 - 24", 48", 60", 72", 84", 96"
- Wire systems include:
 - 8-Wire Isolated Ground (8T)
 - 8-Wire Dual Isolated (8K)



hiSpace I-Connector (HWBEIC)

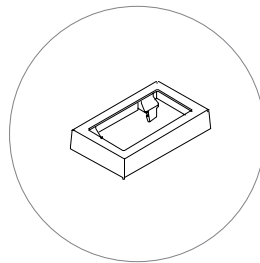
- Used to join two harnesses when a single harness is not long enough

hispace wire management basics (continued)



hiSpace Rigid Connector (HWBELC)

- Rigid Connectors are used to join two power modules together in the same Spine Tray, when required. Specify one rigid connector for each junction.

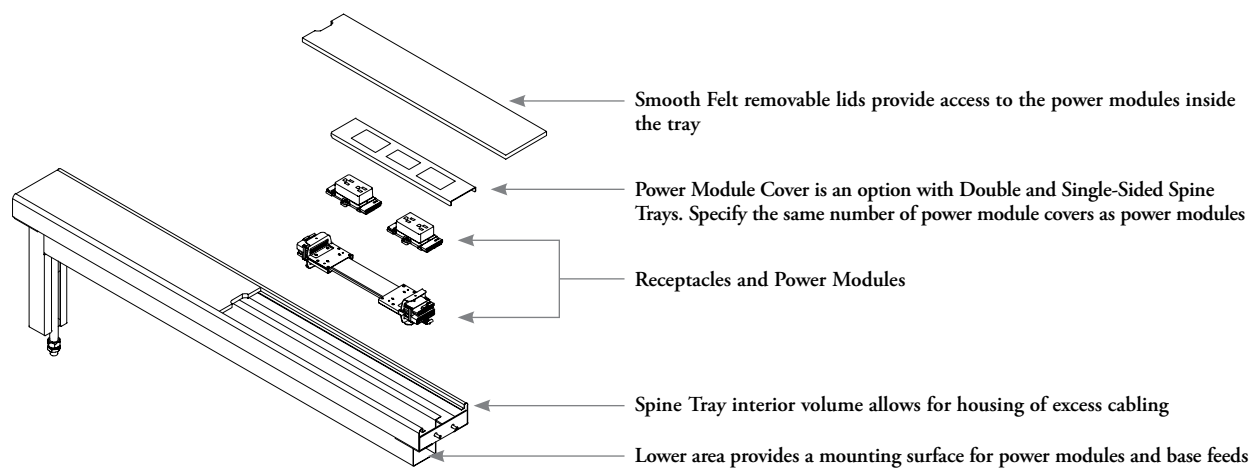


hiSpace Data Extender Plate (HWBEXP)

- Data Extender Plate available to order separately when more space is needed for data jack
- Finish:
- Platinum Coordinate

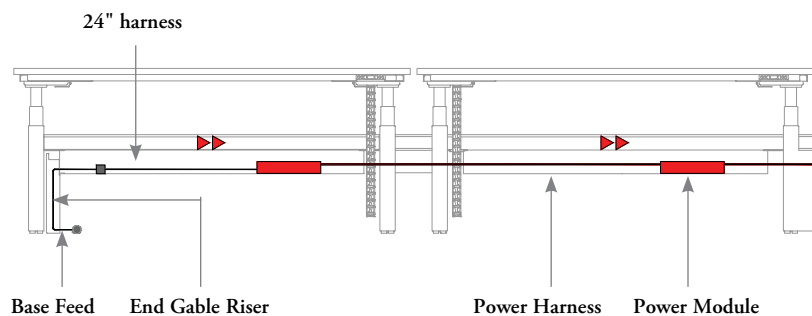
hispace planning with wire management & electrics

The following should be considered when planning with Base Feeds.



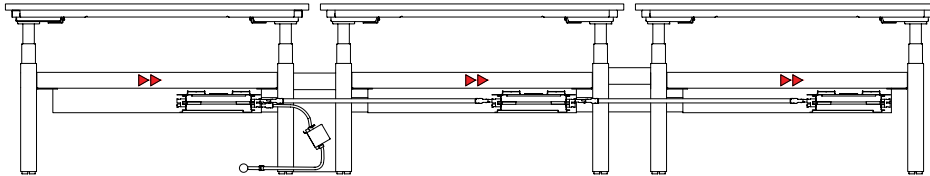
power harness and end cable risers

When putting a Base Feed through an End Cable Riser on frame sizes 52" - 70", an extra 24" power harness is required to link the base feed to the first power module. The amount of slack from the power harness might range anywhere between 2" to 14". It may be necessary to loop the harness inside the tray in order to keep it from popping up above the spine tray lid.

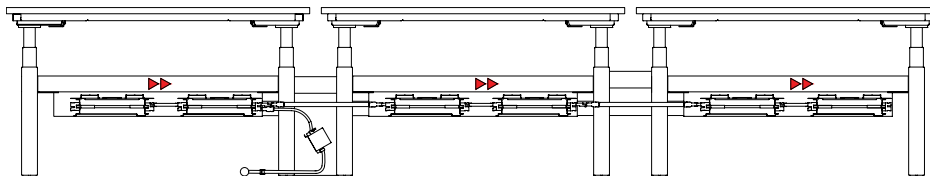


hispace planning with wire management & electrics (continued)

Power is routed up from the floor through a Cable Riser to the Spine Tray. From the Spine Tray, the power is then directed up through a Vertical Wire Carrier to the worksurface.



Single Power Module	
Worksurface Width	Harness Length
46	48
52	48
58	48
64	72
70	72



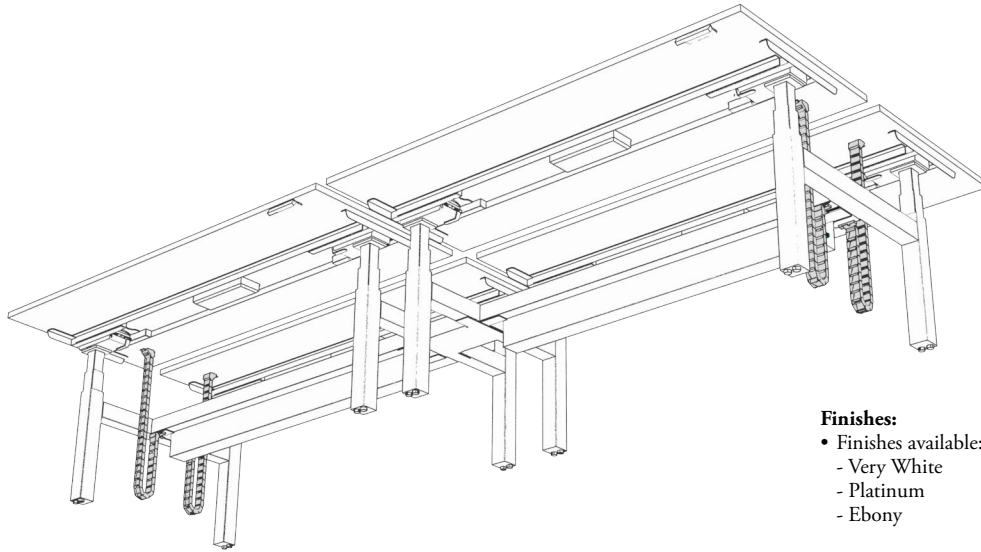
Double Power Module	
Worksurface Width	Harness Length
46	n/a
52	24
58	48
64	48
70	48

The above only apply when:

- All worksurfaces in a run are the same width
- All worksurfaces in a same run have the same # of power modules
- All power trays should be the same direction

hispace vertical wire carrier basics

Vertical Wire Carriers serve as a raceway for power and data cables to run from spine trays to worksurfaces.



Finishes:

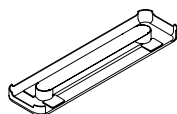
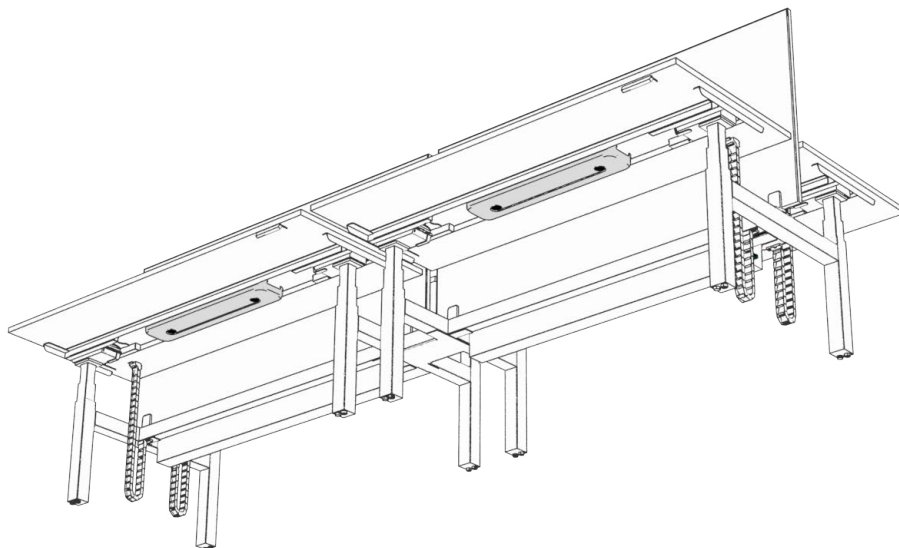
- Finishes available:
 - Very White
 - Platinum
 - Ebony



hiSpace Vertical Wire Carrier (HWBEEE)

hispace felt cover organizer basics

The Felt Cover Cable Organizer acts to hide the bench's electrics control box and associated wiring.

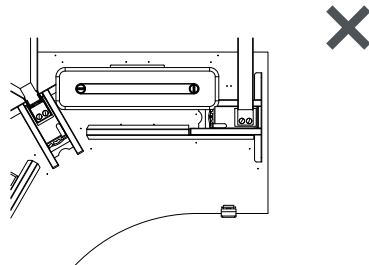


hiSpace Felt Cover Cable Organizer (HWBEWY)

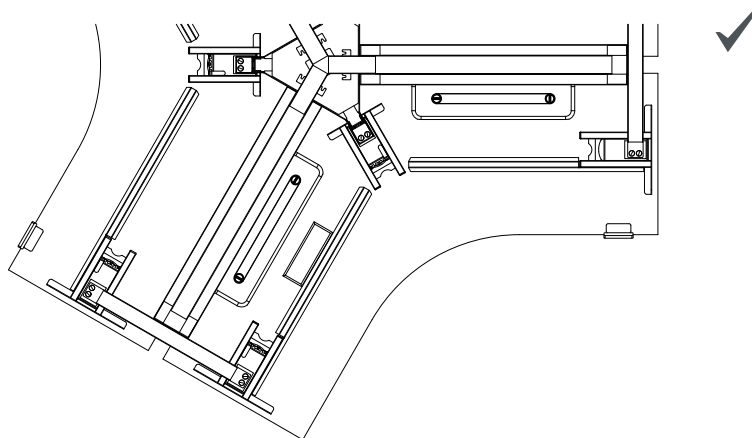
planning with hispace felt cover organizer

The following should be considered when planning with felt cover organizer for 120 HAB.

Cable Organizer is incompatible with 46W 23D Worksurface

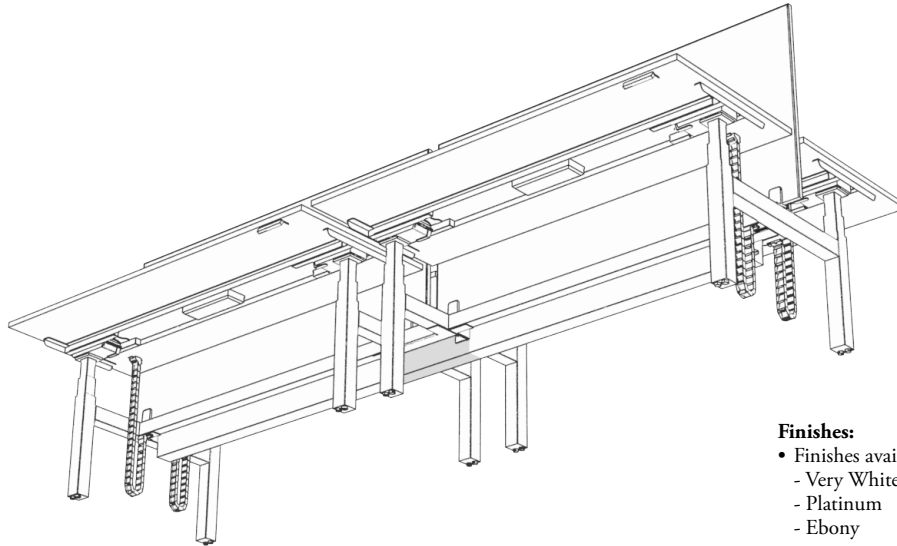


It is possible to specify two cable organizers on wider worksurfaces.



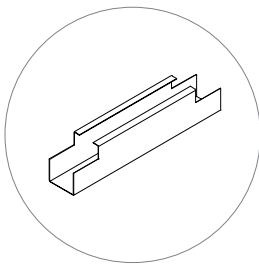
hispace wire bridge basics

Wire Bridges are used to pass cables between two height-adjustable bench frame spine trays, specifically when a cable riser has not been specified.



Finishes:

- Finishes available:
 - Very White
 - Platinum
 - Ebony



hiSpace Wire Bridge (HWBEWB)

hispace double & single-sided screens overview

There are five types of screens designed to add privacy in double and single-sided height-adjustable bench applications.



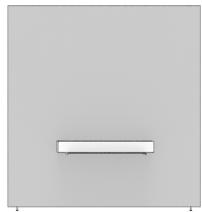
Double-Sided Spine Screens

- Attach to a Double-Sided bench frame and are centered between worksurfaces
- Solid and Framed Fabric options
- Only available with a gap



Double-Sided Desk Edge Screens

- Attach to a individual worksurfaces on a Double-Sided frame
- Pairs with radius corner worksurface
- Infinity and Smooth Felt options
- Only available with a gap



Double-Sided End of Run Screens

- Run lengthwise at the end of a Double-Sided bench for increased privacy
- Solid and Framed Fabric options



Single-Sided Corridor Screens

- Attach along the back of Single-Sided worksurfaces
- Solid and Framed Fabric options

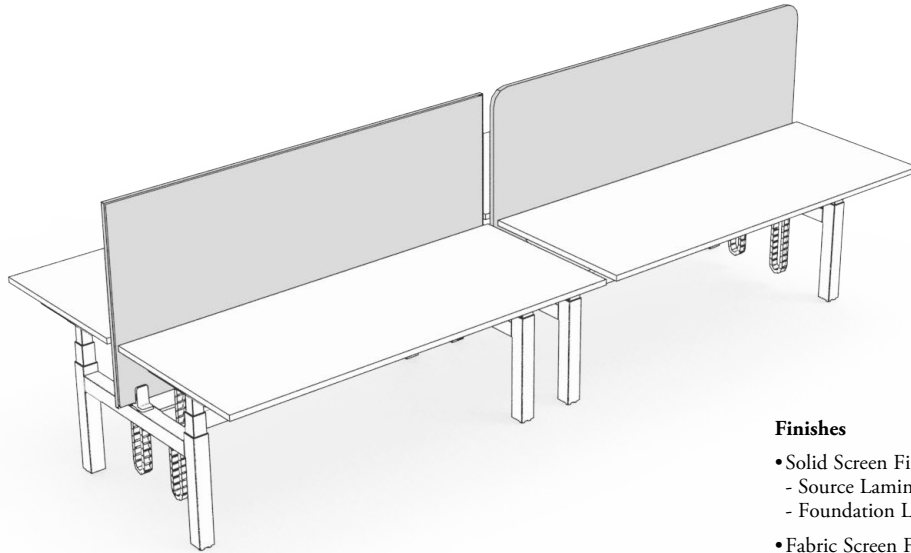


Lateral Screens

- Smooth Felt Lateral Screens provide screening between adjacent workstations
- Attach to side edge of the worksurface
- Smooth Felt options

hispace double-sided spine screen basics

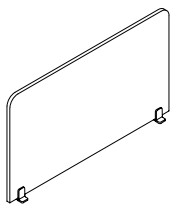
Double-Sided Spine Screens run along the length of the bench and provide privacy and functionality.



Finishes

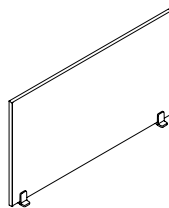
- Solid Screen Finish:
 - Source Laminate
 - Foundation Laminate
- Fabric Screen Finish:
 - Panel Fabrics
- Bracket Finish:
 - Foundation
 - Mica
 - Accent

- Height: 51"
- Depth: 46", 52", 58", 64", 70"



hiSpace Double-Sided Spine Screen - Solid (HWBCTS)

- Corner Option:
 - Square
 - Round

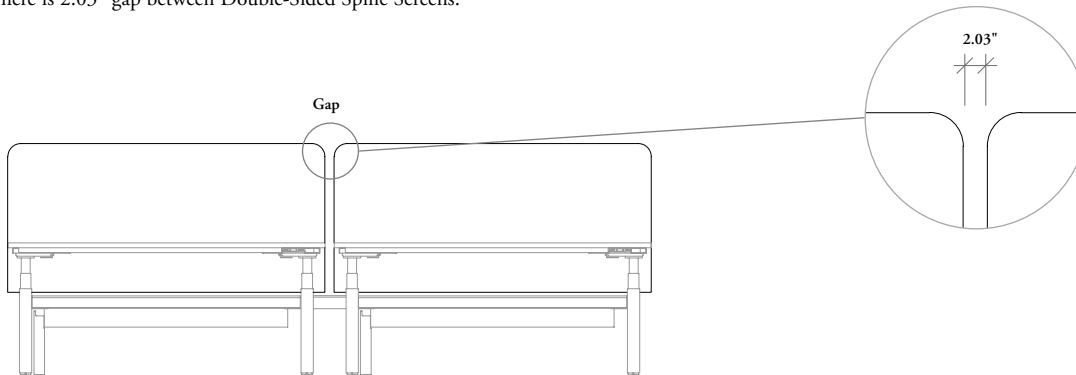


hiSpace Double-Sided Spine Screen - Framed Fabric (HWBCTF)

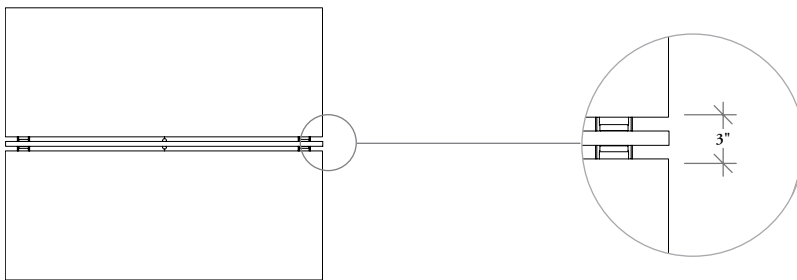
hispace planning with double-sided spine screens

The following should be considered when planning with Double-Sided Spine Screens.

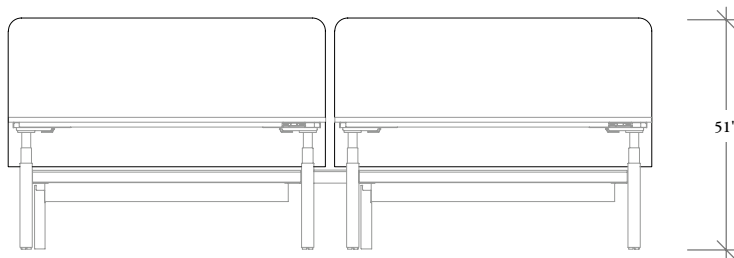
There is 2.03" gap between Double-Sided Spine Screens.



There is a 3" gap between worksurfaces provides a 1" pinch gap on each side of the thickest spine screen option.

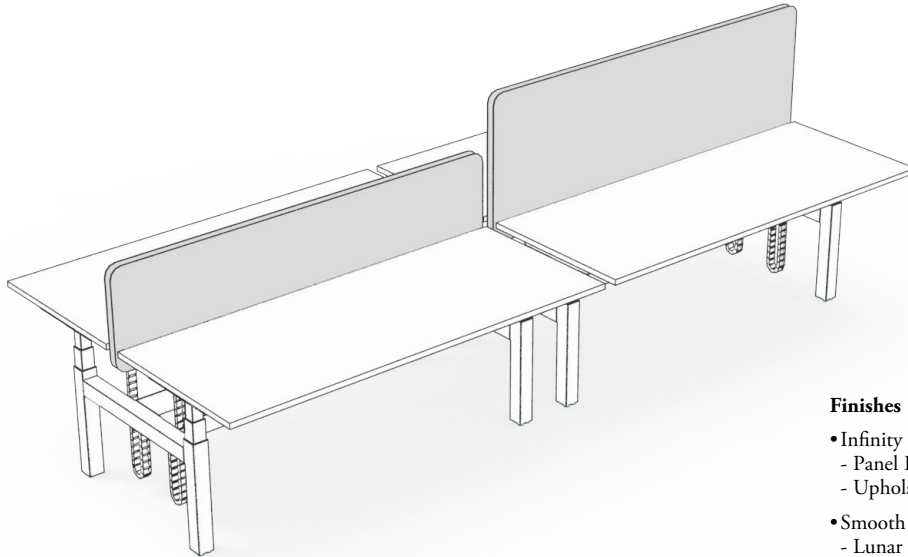


datum height



hispace double-sided desk edge screen basics

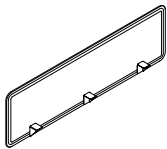
Double-Sided Desk Edge Screens Desk edge screens provide privacy and raise and lower with the worksurface when user adjusts the height for their workstation.



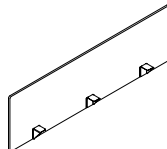
- Height: 42", 51"
 - Smooth Felt only available at 42"h
- Depth: 46", 52", 58", 64", 70"

Finishes

- Infinity Screen Finishes:
 - Panel Fabric
 - Upholstery Fabric
- Smooth Felt Finishes:
 - Lunar
 - Warm Ash
 - Strata
 - Pewter
- Bracket Finish:
 - Foundation
 - Mica
 - Accent



hiSpace Double-Sided Desk Edge Screen – Infinity (HWBCDX)



hiSpace Double-Sided Desk Edge Screen – Smooth Felt (HWBCDZ)

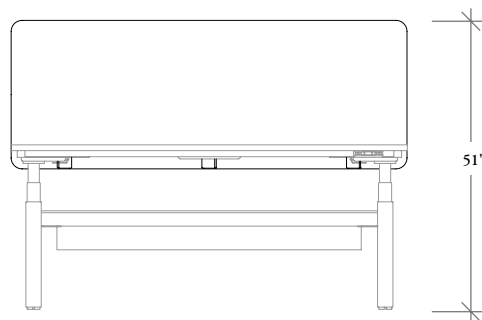
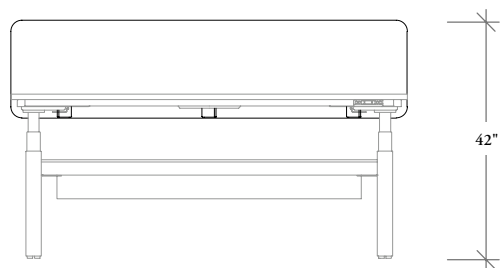
- Corner Option:
 - Square
 - Round

hispace planning with double-sided desk edge screens

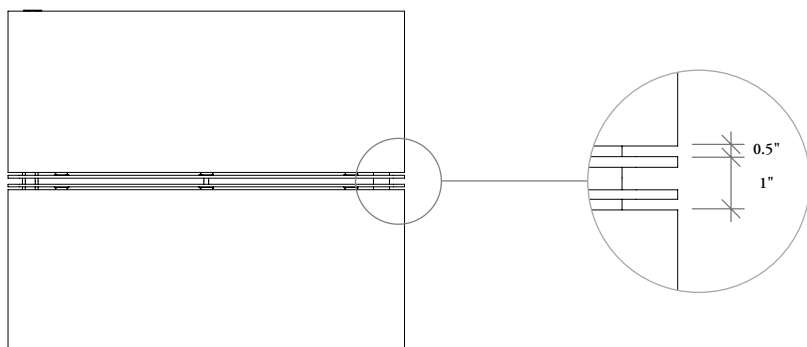
The following should be considered when planning with Double-Sided Desk Edge Screens.

There are two datum heights available with Double-Sided Desk Edge Screens:

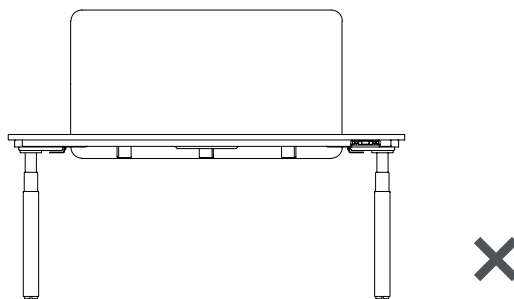
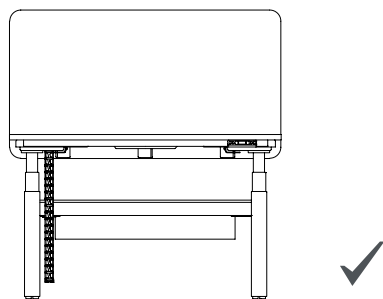
- Height: 42", 51"
- Smooth Felt only available at 42"h



There is a 0.5" wire gap on a Double Sided Bench which will allow for a 1" pinch gap when specifying Double-Sided Desk Edge Screens on back to back worksurfaces.



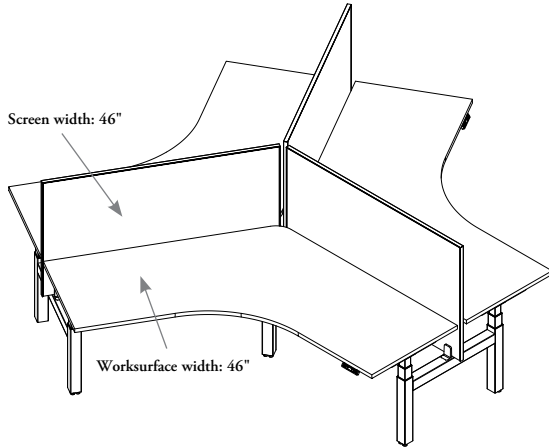
Double-Sided Desk Edge Screen widths must match the same width as the worksurface.



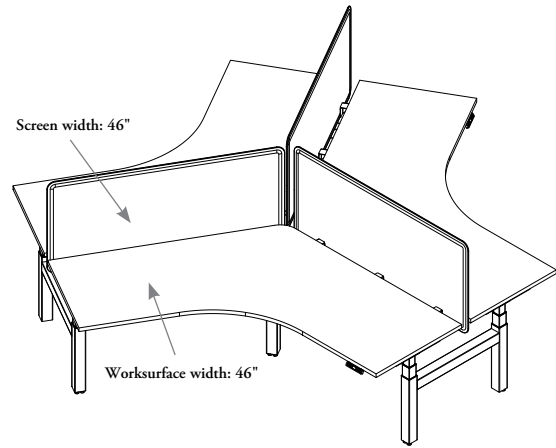
hispace planning with screens for 120 frames

120 frames are designed to be used with standard Double-Sided Spine Screens and Desk Edge Screens.

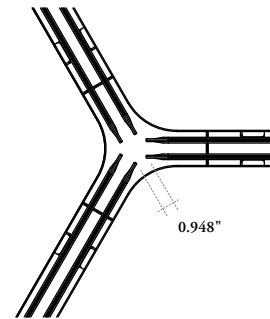
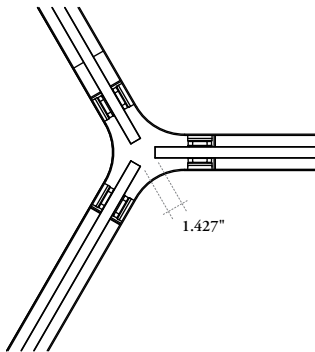
As with the Double Sided Linear Bench, specify the width of the screen to match the width of the worksurface.



Double Sided Spine Screens

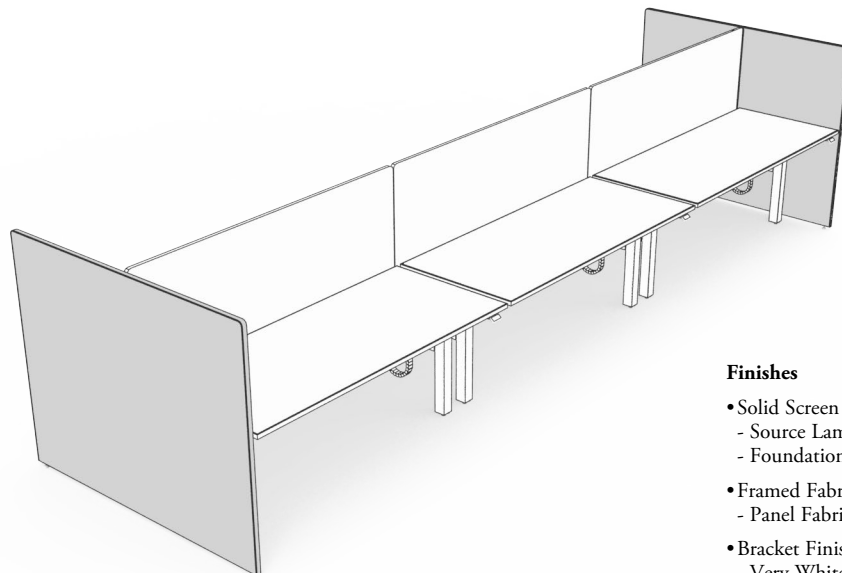


Double-Sided Desk Edge Screens



hispace double-sided end of run screen basics

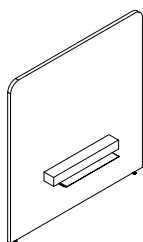
Double-Sided End of Run Screens attach to the frame to provide privacy at the end of the run.



Finishes

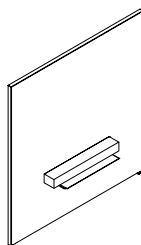
- Solid Screen Finishes:
 - Source Laminate
 - Foundation Laminate
- Framed Fabric Screen Finishes:
 - Panel Fabric
- Bracket Finish
 - Very White
 - Platinum

- Height: 51"
- Width: 48", 60"



hiSpace Double-Sided End of Run Screen - Solid (HWBTWS)

- Corner Option:
 - Square
 - Round

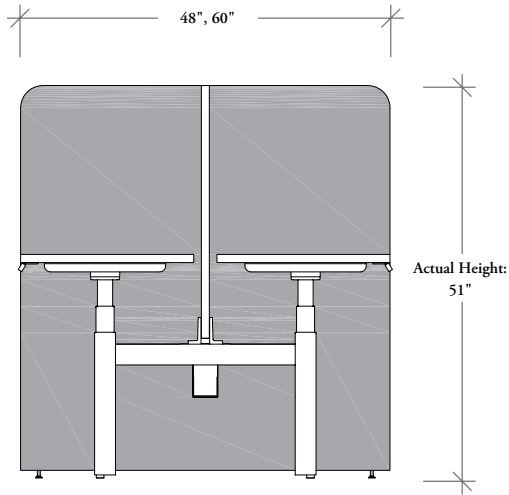


hiSpace Double-Sided End of Run Screen - Framed Fabric (HWBTWF)

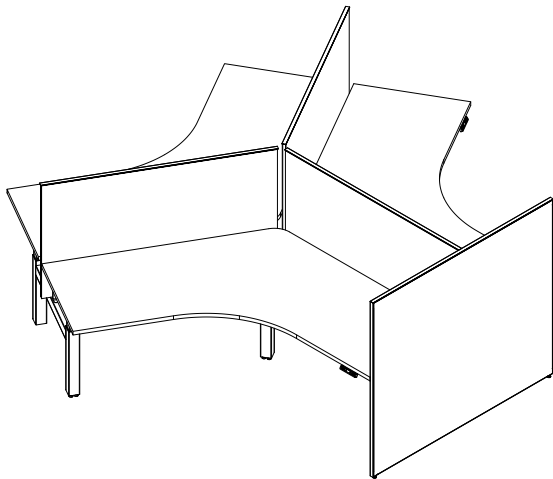
hispace planning with double-sided end of run screens

The following should be considered when planning with Double-Sided End of Run Screens.

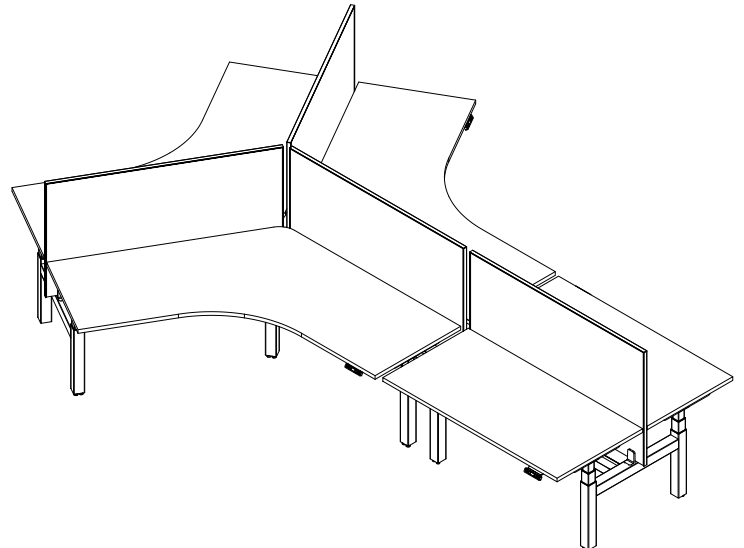
There is one datum height available with Desk Edge Screens:



120 HAB frame can also accommodate the same add-ons and accessories.



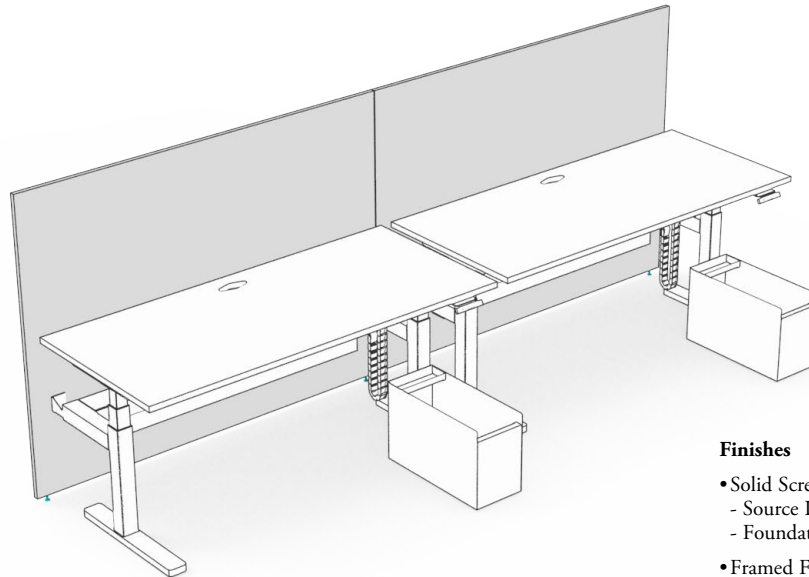
End of Run Screen



120 VS Linear Double Sided Bench

hispace single-sided corridor screen basics

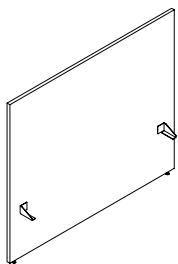
Single-Sided Corridor Screens provide enclosure along the back of single-sided benches in a corridor application.



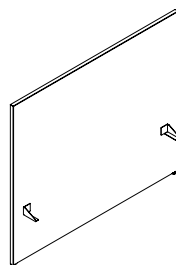
Finishes

- Solid Screen Finishes:
 - Source Laminate
 - Foundation Laminate
- Framed Fabric Screen Finishes:
 - Panel Fabric
- Screen Bracket finish:
 - Black

- Height: 51"
- Width: 46", 52", 58", 64", 70"



hiSpace Single-Sided Corridor Screen - Solid (HWBLSS)

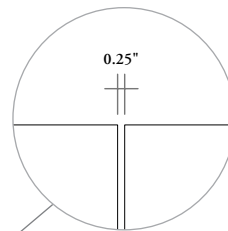
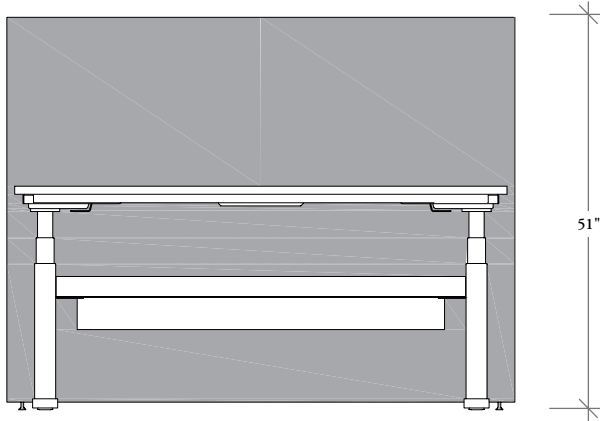


hiSpace Single-Sided Corridor Screen - Framed Fabric (HWBLSF)

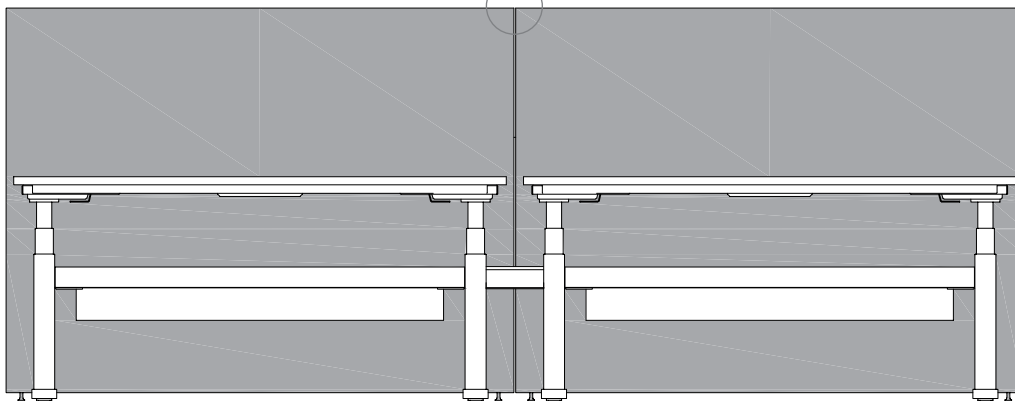
hispace planning with single-sided corridor screens

The following should be considered when planning with Single-Sided Corridor Screens.

There is one height when planning with Corridor Screens:

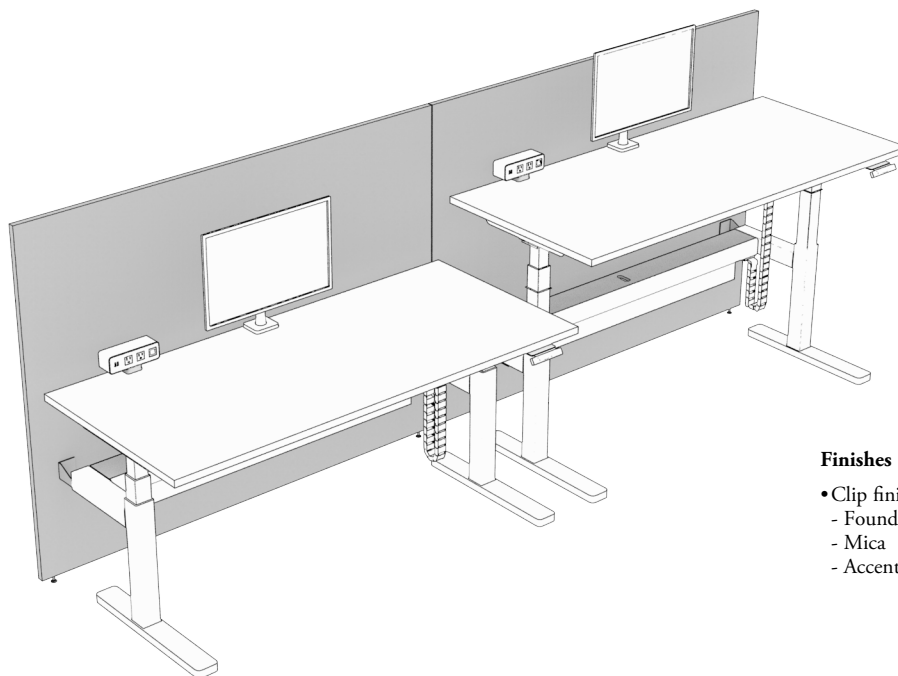


There is a 0.25" gap between screens.



hispace single-sided corridor screen alignment clip - solid basics

Single-Sided Corridor Screens provide enclosure along the back of single-sided benches in a corridor application.



Finishes

- Clip finish:
 - Foundation
 - Mica
 - Accent



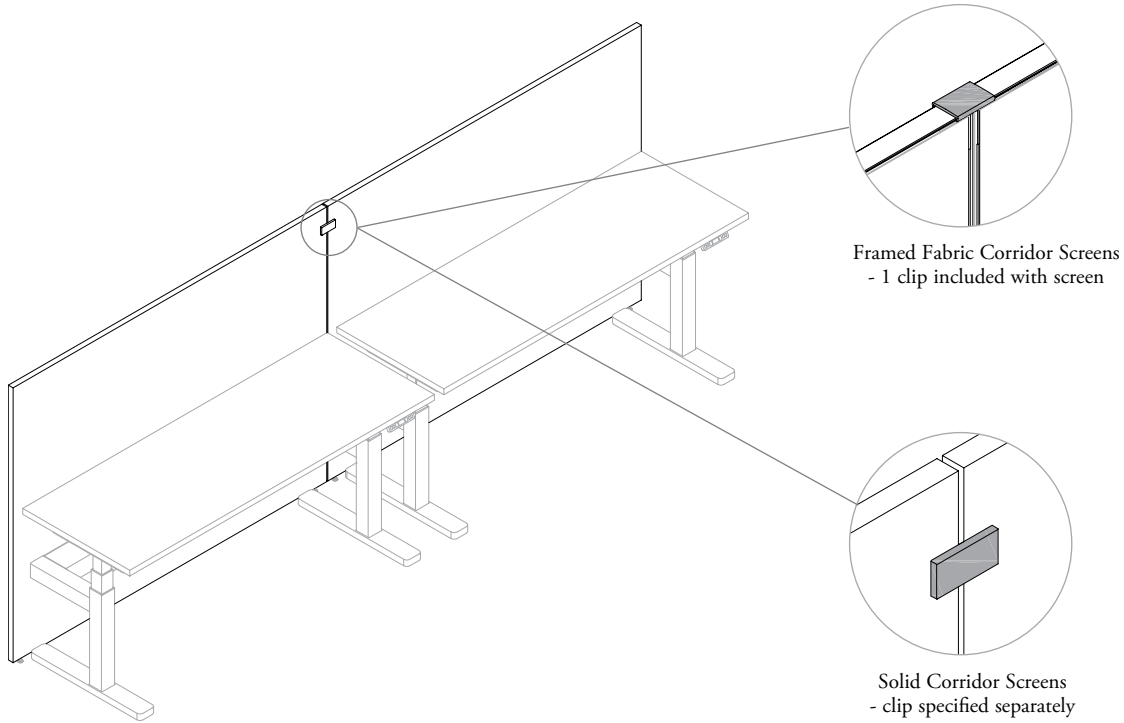
hiSpace Single-Sided Corridor Screen Alignment Clip - Solid (HWBLBS)

- Height: 51"
- Width: 46", 52", 58", 64", 70"

hispace planning with single-sided corridor screen alignment clip - solid

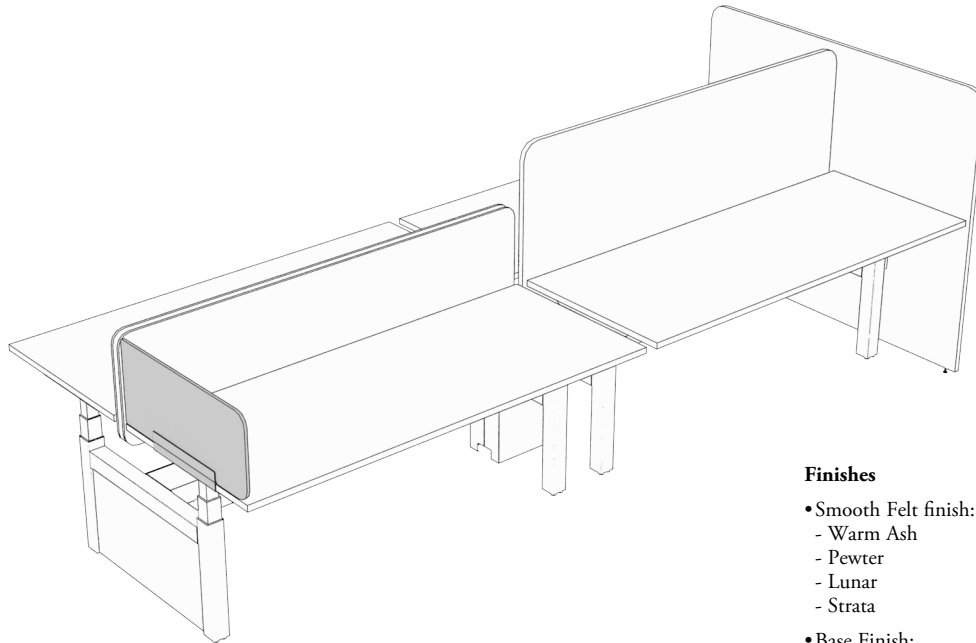
The following should be considered when planning with hiSpace Single-Sided Corridor Screen Alignment Clips - Solid.

The alignment clip varies on the screen type.



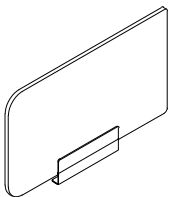
hispace smooth felt lateral screen basics

Smooth Felt Lateral Screens provide screening between adjacent workstations.



Finishes

- Smooth Felt finish:
 - Warm Ash
 - Pewter
 - Lunar
 - Strata
- Base Finish:
 - Foundation
 - Mica
 - Accent



hiSpace Smooth Felt Lateral Screen (HWBCLZ)

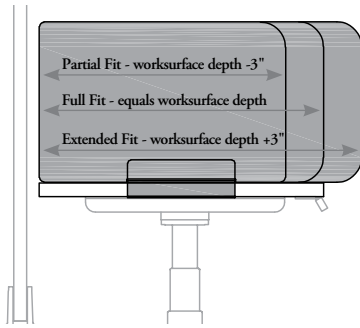
- Height: 42"
- Depth: 24", 30"
- Corner Profile:
 - Radius
 - Straight
- Screen Fit:
 - Partial
 - Full
 - Extended
- Orientation:
 - Left
 - Right

hispace planning with smooth felt lateral screens

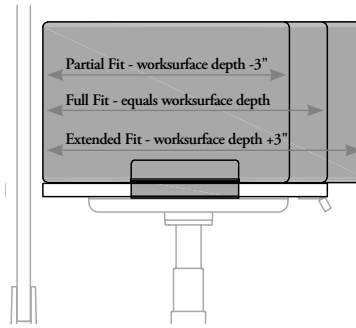
The following should be considered when planning with Smooth Felt Lateral Screens.

There are three different screen fits available:

- Partial
- Full
- Extended

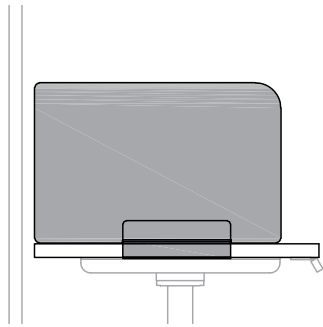


Radius Corner

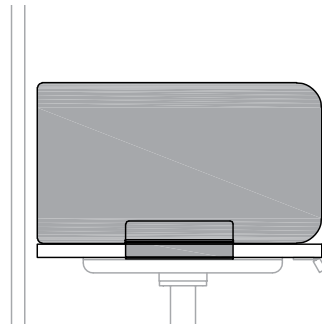


Square Corner

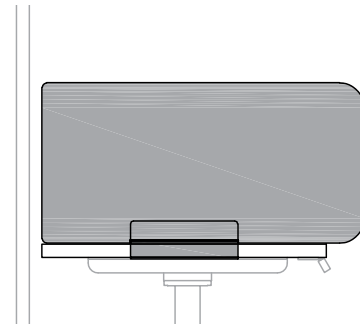
Smooth Felt Lateral Screens with Radius Corners have three different profiles when specifying the screen fit:



Partial Fit
• Top front radius



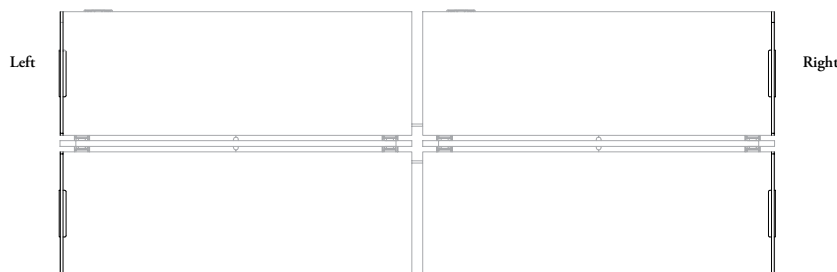
Full Fit
• Top and bottom front radius



Extended Fit
• Top and bottom front radius

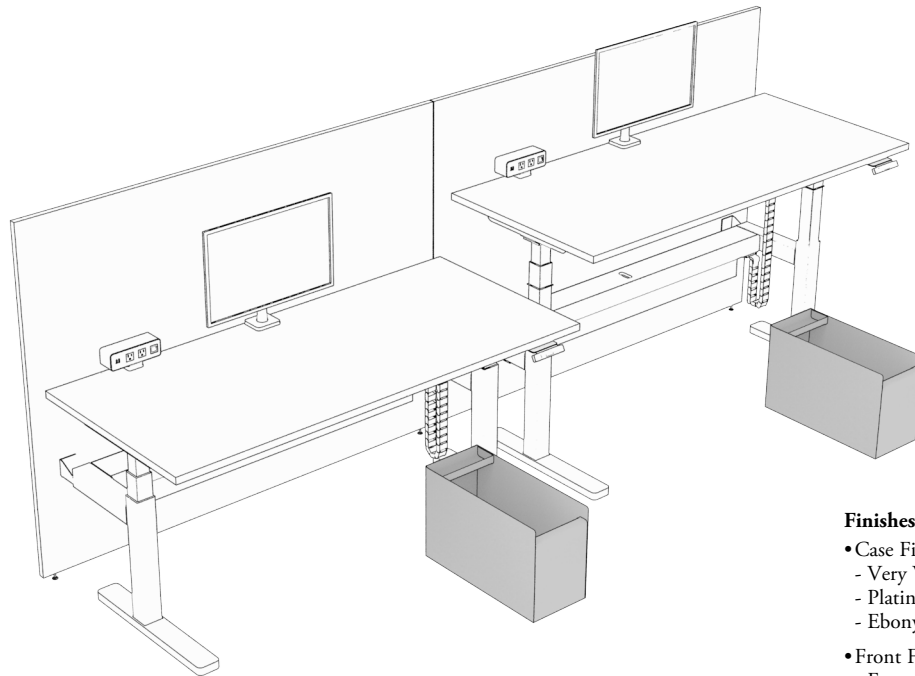
handedness

Smooth Felt Lateral Screens are specified as left or right-handed screens, based on the user's orientation



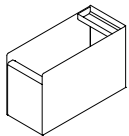
hispace low profile bag drop basics

The Low Profile Bag Drop offers storage for personal items and work bag storage below the worksurface with both Double and Single-Sided Height-Adjustable Bench planning.



Finishes

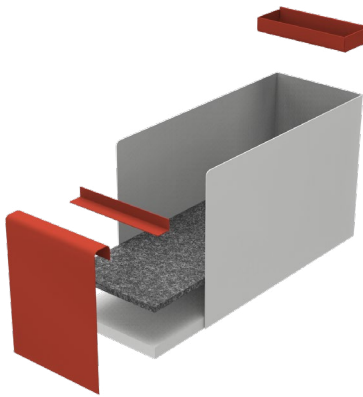
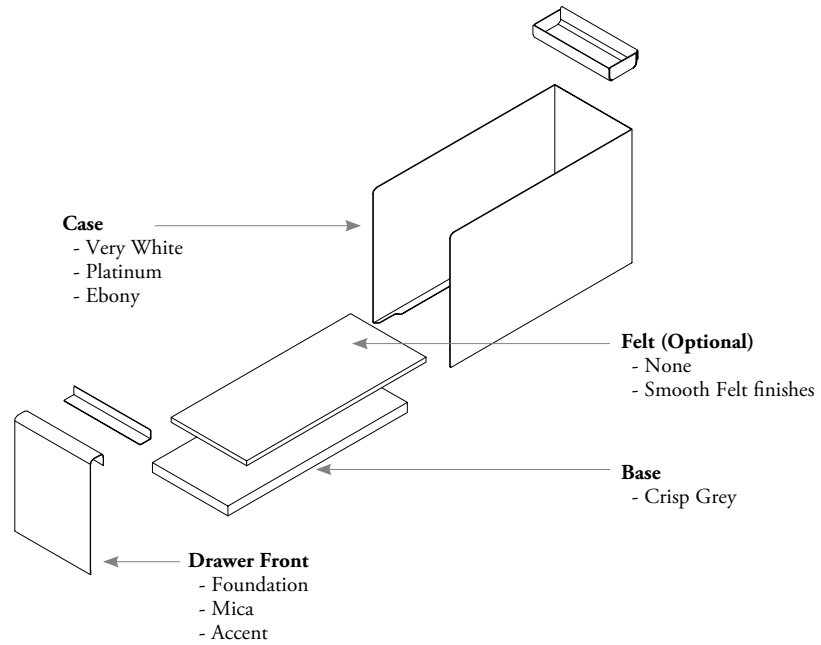
- Case Finish options:
 - Very White
 - Platinum
 - Ebony
- Front Finish options:
 - Foundation
 - Mica
 - Accent
- Base Finish:
 - Crisp Grey
- Smooth Felt Liner options:
 - Smooth Felt finishes



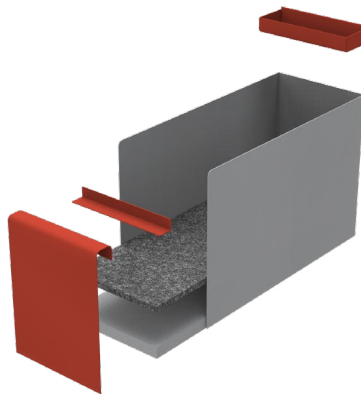
hiSpace Bag Drop (HWBAWR)

hispace low profile bag drop finishes

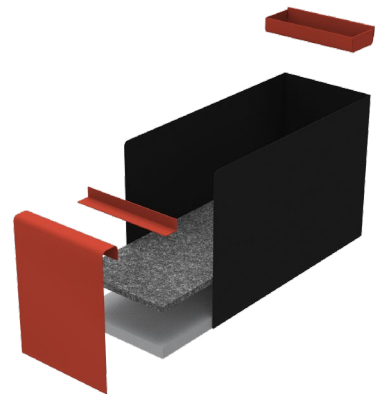
The following outlines the finishes available with the Low Profile Bag Drop.



Very White Case



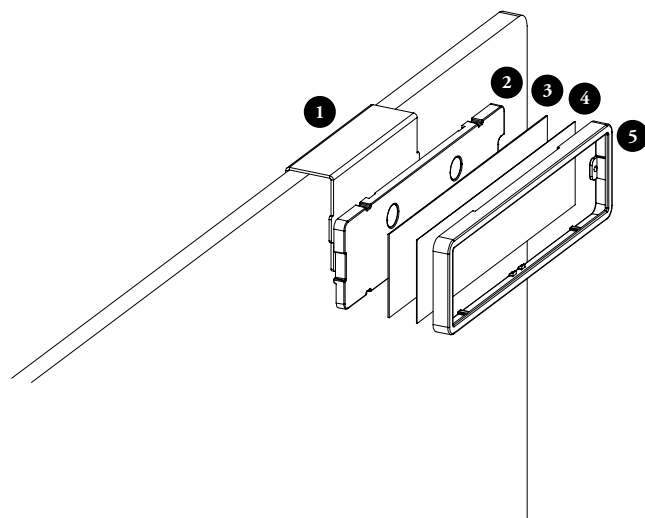
Platinum Case



Ebony Case

hispace workstation name plate basics

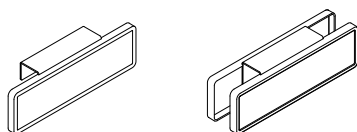
hiSpace Workstation Name Plate can be magnetically attached onto a screen.



- 1 Mounting Bracket
- 2 Molded Magnet Chassis
- 3 Whiteboard Laminate
- 4 Transparent Cover Sheet
- 5 Painted Metal Bezel

Finishes

- Bracket:
 - Foundation
 - Mica
 - Accent
- Bezel:
 - Foundation
 - Mica
 - Accent



hiSpace Workstation Name Plate (HWBANP)

Application:

- Hang-on Single-Sided
- Hang-on Double-Sided

Screen Type:

- Solid Screen
- Framed Fabric Screen
- Smooth Felt
- Infinity

To download a customizable template, visit www.teknion.com/workstation-nameplate

planning with hispace workstation name plate

The following should be considered when planning with hiSpace Workstation Name Plate.

It can be used in two different ways:

- Whiteboard: for non-permanent use such as hot-desking or co-working applications
- Custom Template: for more permanent use, customers can also print their own material.

The name plate takes a 7.5" w x 2" h piece of paper or cardstock that can be sealed behind a plastic sheet.

Specify the name plate based on the correct screen application. Single-sided and double-sided options are available based on the screen type. Hang-on Double-Sided is not available for Infinity and Smooth Felt Screens.



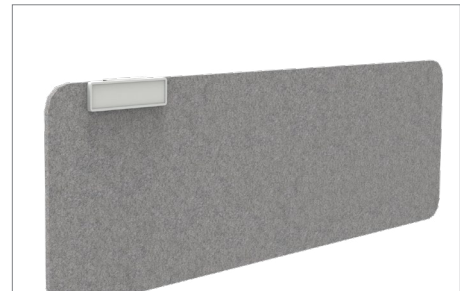
Solid



Infinity



Framed Fabric



Smooth Felt

hispace
price & product guide

hispace price & product guide

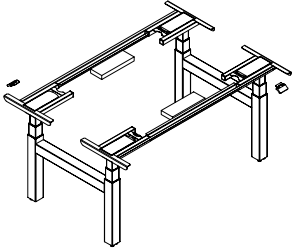
HISPACE DOUBLE-SIDED BENCH	235
HISPACE SINGLE-SIDED BENCH	257
HISPACE 120 BENCH	273
HISPACE ELECTRICAL COMPONENTS	281
HISPACE UNIVERSAL COMPONENTS	299

hispace double-sided bench

hispace double-sided bench product map

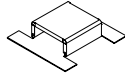
HWBFYD hiSpace Double-Sided Frame

Page 238



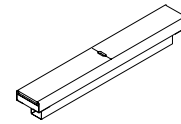
HWBFBD hiSpace Double-Sided Base Link

Page 239



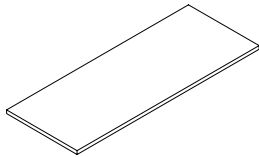
HWBFTH hiSpace Double-Sided Spine Tray

Page 240



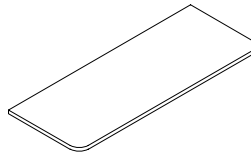
HWBWBD hiSpace Double-Sided Rectangular Worksurface with Square Corners

Page 242



HWBWJD hiSpace Double-Sided Rectangular Worksurface with Radius Corners

Page 244



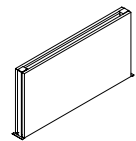
HWBFTV hiSpace No Spine Screen Cover Plate

Page 246



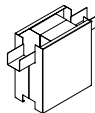
HWBCGE hiSpace Double-Sided End Gable

Page 247



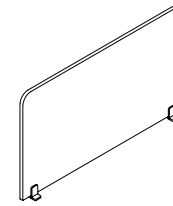
HWBECMD hiSpace Double-Sided Cable Riser - Mid

Page 248



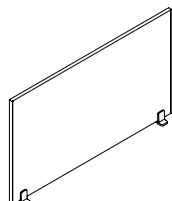
HWBCTS hiSpace Double-Sided Spine Screen - Solid

Page 249



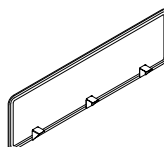
HWBCTF hiSpace Double-Sided Spine Screen - Framed Fabric

Page 250



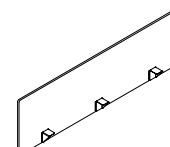
HWBCDX hiSpace Double-Sided Desk Edge Screen - Infinity

Page 251



HWBCDZ hiSpace Double-Sided Desk Edge Screen - Smooth Felt

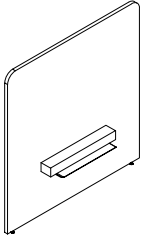
Page 252



hispace double-sided bench product map

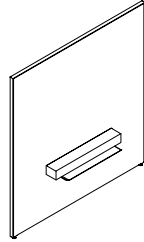
HWBTWS hiSpace Double-Sided
End of Run Screen -
Solid

Page 253



HWBTWF hiSpace Double-Sided
End of Run Screen -
Framed Fabric

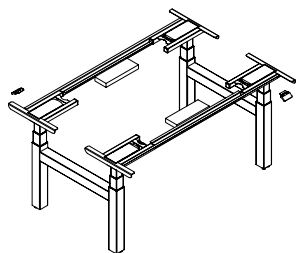
Page 254



hispace double-sided bench

HWBFYD

hiSpace Double-Sided Frame



The hiSpace Double-Sided Frame is used with two Double-Sided Worksurfaces to create a Height-Adjustable or Fixed Height Bench workstation.

WHAT'S INCLUDED

Each frame includes 2 electric height-adjustable mechanisms with switch (height-adjustable only), 4 leg columns (height adjustable or fixed height), 2 leg braces, 2 top frames and 4 levelers.

NOTES

Switch is not included with fixed height option.

Requires two Double-Sided Rectangular Worksurfaces (HWBWBD/HWBWJD).

Switches have programmable settings.

All electrical base mechanisms have a 0.2 watt resting power draw (height-adjustable only).

PRODUCT OPTIONS

Base Mechanism	Depth	Width	Switch	Finish
9E Extended Electric - Extended (22.6" - 48.7")	48, 60	46, 52, 58, 64, 70	N None	52 Ebony
2F Fixed Height (29")			D Display with Up/Down Memory	60 Platinum
			A Toggle Display with Memory	83 Very White

SAMPLE ORDER CODE

HWBFYD 9E	48	70	D	83
------------------	-----------	-----------	----------	-----------

STYLE

Extended Electric
Fixed Height

PRICING

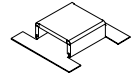
3960
2250

The hiSpace Double-Sided Frame Link is used to join a Double-Sided Frame to another Double-Sided Frame.

WHAT'S INCLUDED

1 frame link, assembly hardware.

HWBFBD
hiSpace Double-Sided Base Link



PRODUCT OPTIONS

Finish

- 52 Ebony
- 60 Platinum
- 83 Very White

SAMPLE ORDER CODE

HWBFBD 83

PRICING

97

hispace double-sided bench

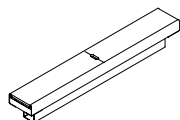
H W B F T H

hiSpace Double-Sided Spine Tray

The hiSpace Double-Sided Spine Tray carries cables across workstations and is used to house power modules.

WHAT'S INCLUDED

1 spine tray with felt cover, mounting hardware, power module covers (if specified).



PRODUCT OPTIONS

Width	Power Module Cover	Power Style	Spine Tray Finish	Smooth Felt Cover Finish
46, 52, 58, 64, 70	0 No Cover 1 Single Cover 2 Dual Cover	S Standard C Chicago	52 Ebony 60 Platinum 83 Very White	Smooth Felt Finishes

SAMPLE ORDER CODE

HWBFTH 70	1	S	83	R5
------------------	----------	----------	-----------	-----------

**DIMENSIONS
INCHES / MM**

W
46 / 1168
52 / 1321
58 / 1473
64 / 1626
70 / 1778

PRICING

No Cover	Single Cover	Dual Cover
396	396	n/a
412	412	425
425	447	447
467	467	483
483	501	501

hispace double-sided bench

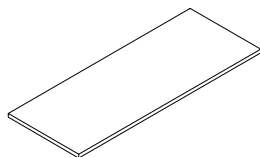
H W B W B D

hiSpace Double-Sided Rectangular Worksurface with Square Corners

The hiSpace Double-Sided Rectangular Worksurface with Square Corners is used with the Double-Sided Frame.

WHAT'S INCLUDED

1 worksurface.



PRODUCT OPTIONS

Depth	Width	Center Access Door Cut Out	Grommet Cut Out Location	Surface Finish	Edge Trim Style	Edge Trim Finish
23, 29	46, 52, 58, 64, 70	N No Cut Out C Center Access Door Cut Out	N None C Center L Left R Right B Left & Right A Center & Left D Center & Right E Center, Left & Right	Source Laminate Foundation Laminate	6 Straight 8 Flat 2 Bullnose H Full Knife	Edge Trim Colors

SAMPLE ORDER CODE

HWBWD 29	70	C	L	YQ	6	BL
-----------------	-----------	----------	----------	-----------	----------	-----------

**DIMENSIONS
INCHES / MM**

D	W
23 / 584	46 / 1168
23 / 584	52 / 1321
23 / 584	58 / 1473
23 / 584	64 / 1626
23 / 584	70 / 1778
29 / 737	46 / 1168
29 / 737	52 / 1321
29 / 737	58 / 1473
29 / 737	64 / 1626
29 / 737	70 / 1778

PRICING

NO CUT OUT (N)						CENTER (C), LEFT (L), RIGHT (R)				
NONE (N)						SOURCE LAMINATE		FOUNDATION LAMINATE		
						Straight Edge	Flat Edge	Straight Edge	Bullnose Edge	Full Knife Edge
428	477	487	561	615	470	520	529	604	657	
514	629	639	720	814	557	672	681	763	856	
590	639	650	738	829	632	681	691	780	872	
601	648	660	756	846	644	690	703	798	887	
612	659	673	773	860	654	702	715	815	902	
498	523	531	615	670	539	565	573	657	712	
532	647	658	747	839	575	689	701	790	882	
626	659	672	766	856	669	702	713	807	899	
639	673	682	784	876	681	715	725	826	918	
650	682	698	803	890	691	725	740	846	933	

Pricing is continued on the following page.

H W B W B D
hiSpace Double-Sided Rectangular
Worksurface with Square Corners
(Continued)

DIMENSIONS
INCHES / MM

D	W
23 / 584	46 / 1168
23 / 584	52 / 1321
23 / 584	58 / 1473
23 / 584	64 / 1626
23 / 584	70 / 1778
29 / 737	46 / 1168
29 / 737	52 / 1321
29 / 737	58 / 1473
29 / 737	64 / 1626
29 / 737	70 / 1778

PRICING

NO CUT OUT (N) (CONTINUED)

LEFT & RIGHT (B), CENTER & LEFT (A), CENTER & RIGHT (D)				
SOURCE LAMINATE	FOUNDATION LAMINATE			
Straight Edge	Flat Edge	Straight Edge	Bullnose Edge	Full Knife Edge
512	561	571	646	699
599	713	724	805	899
675	724	734	822	914
686	733	745	841	930
697	744	757	857	944
582	608	616	699	755
617	732	742	832	923
711	744	756	850	941
724	757	767	868	960
734	767	783	887	974

CENTER, LEFT & RIGHT (E)				
SOURCE LAMINATE	FOUNDATION LAMINATE			
Straight Edge	Flat Edge	Straight Edge	Bullnose Edge	Full Knife Edge
554	604	614	688	741
641	756	766	848	941
717	766	776	864	956
728	775	788	883	972
739	786	799	900	986
624	650	658	741	797
659	774	785	875	966
754	786	798	892	983
766	799	809	911	1002
776	809	825	930	1017

CENTER ACCESS DOOR CUT OUT (C)

NONE (N)				
SOURCE LAMINATE	FOUNDATION LAMINATE			
Straight Edge	Flat Edge	Straight Edge	Bullnose Edge	Full Knife Edge
508	558	567	643	696
595	710	719	802	894
672	719	731	819	911
682	730	741	836	926
694	740	754	854	941
579	604	612	696	752
614	728	739	828	920
708	740	753	847	937
719	754	763	864	956
731	763	778	884	971

LEFT (L), RIGHT (R)				
SOURCE LAMINATE	FOUNDATION LAMINATE			
Straight Edge	Flat Edge	Straight Edge	Bullnose Edge	Full Knife Edge
551	600	610	684	738
638	753	762	844	937
713	762	773	861	952
725	771	784	879	969
735	783	796	896	983
621	646	654	738	793
655	770	782	871	963
749	783	795	889	979
762	796	805	907	999
773	805	821	926	1013

LEFT & RIGHT (B)

LEFT & RIGHT (B)				
SOURCE LAMINATE	FOUNDATION LAMINATE			
Straight Edge	Flat Edge	Straight Edge	Bullnose Edge	Full Knife Edge
593	643	652	727	780
680	795	804	886	979
756	804	815	904	995
767	814	826	921	1010
777	825	838	938	1025
664	688	697	780	835
698	813	824	913	1005
792	825	836	931	1022
804	838	848	949	1041
815	848	863	969	1056

hispace double-sided bench

H W B W J D

hiSpace Double-Sided Rectangular Worksurface with Radius Corners

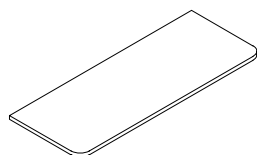
The hiSpace Double-Sided Rectangular Worksurface with Radius Corners is used with the Double-Sided Frame.

WHAT'S INCLUDED

1 worksurface.

NOTES

Radius corners apply to front user edge corner profile only.



PRODUCT OPTIONS

Depth	Width	Center Access Door Cut Out	Grommet Cut Out Location	Surface Finish	Edge Trim Style	Edge Trim Finish
23, 29	46, 52, 58, 64, 70	N No Cut Out C Center Access Door Cut Out	N None C Center L Left R Right B Left & Right A Center & Left D Center & Right E Center, Left & Right	Source Laminate Foundation Laminate	6 Straight	Edge Trim Colors

SAMPLE ORDER CODE

HWBWJD 29	70	C	L	YQ	6	BL
------------------	-----------	----------	----------	-----------	----------	-----------

**DIMENSIONS
INCHES / MM**

D	W
23 / 584	46 / 1168
23 / 584	52 / 1321
23 / 584	58 / 1473
23 / 584	64 / 1626
23 / 584	70 / 1778
29 / 737	46 / 1168
29 / 737	52 / 1321
29 / 737	58 / 1473
29 / 737	64 / 1626
29 / 737	70 / 1778

PRICING

NO CUT OUT (N)			
NONE (N)		CENTER (C), LEFT (L), RIGHT (R)	
SOURCE LAMINATE	FOUNDATION LAMINATE	SOURCE LAMINATE	FOUNDATION LAMINATE
Straight Edge	Straight Edge	Straight Edge	Straight Edge
428	487	470	529
514	639	557	681
590	650	632	691
601	660	644	703
612	673	654	715
498	531	539	573
532	658	575	701
626	672	669	713
639	682	681	725
650	698	691	740

Pricing is continued on the following page.

H W B W J D
hiSpace Double-Sided Rectangular
Worksurface with Radius Corners
(Continued)

DIMENSIONS
INCHES / MM

PRICING

D		W		NO CUT OUT (N) (CONTINUED)			
				LEFT & RIGHT (B), CENTER & LEFT (A), CENTER & RIGHT (D)		CENTER, LEFT & RIGHT (E)	
		SOURCE LAMINATE	FOUNDATION LAMINATE	SOURCE LAMINATE	FOUNDATION LAMINATE		
		Straight Edge	Straight Edge	Straight Edge	Straight Edge		
23 / 584	46 / 1168	512	571	554	614		
23 / 584	52 / 1321	599	724	641	766		
23 / 584	58 / 1473	675	734	717	776		
23 / 584	64 / 1626	686	745	728	788		
23 / 584	70 / 1778	697	757	739	799		
29 / 737	46 / 1168	582	616	624	658		
29 / 737	52 / 1321	617	742	659	785		
29 / 737	58 / 1473	711	756	754	798		
29 / 737	64 / 1626	724	767	766	809		
29 / 737	70 / 1778	734	783	776	825		

D		W		CENTER ACCESS DOOR CUT OUT (C)			
				NONE (N)		LEFT (L), RIGHT (R)	
		SOURCE LAMINATE	FOUNDATION LAMINATE	SOURCE LAMINATE	FOUNDATION LAMINATE		
		Straight Edge	Straight Edge	Straight Edge	Straight Edge		
23 / 584	46 / 1168	508	567	551	610		
23 / 584	52 / 1321	595	719	638	762		
23 / 584	58 / 1473	672	731	713	773		
23 / 584	64 / 1626	682	741	725	784		
23 / 584	70 / 1778	694	754	735	796		
29 / 737	46 / 1168	579	612	621	654		
29 / 737	52 / 1321	614	739	655	782		
29 / 737	58 / 1473	708	753	749	795		
29 / 737	64 / 1626	719	763	762	805		
29 / 737	70 / 1778	731	778	773	821		

D		W		LEFT & RIGHT (B)	
				SOURCE LAMINATE	FOUNDATION LAMINATE
		Straight Edge	Straight Edge		
23 / 584	46 / 1168	593	652		
23 / 584	52 / 1321	680	804		
23 / 584	58 / 1473	756	815		
23 / 584	64 / 1626	767	826		
23 / 584	70 / 1778	777	838		
29 / 737	46 / 1168	664	697		
29 / 737	52 / 1321	698	824		
29 / 737	58 / 1473	792	836		
29 / 737	64 / 1626	804	848		
29 / 737	70 / 1778	815	863		

hispace double-sided bench

H W B F T V

hiSpace No Spine Screen Cover Plate

The hiSpace No Spine Screen Cover Plate is used to cover threaded inserts used to attach a Spine Screen to a Frame.

WHAT'S INCLUDED

Quantity 2 cover plates.



PRODUCT OPTIONS

Finish

- 52 Ebony
- 60 Platinum
- 83 Very White

SAMPLE ORDER CODE

HWBFTV 60

PRICING

51

The hiSpace Double-Sided End Gables attach to the Double-Sided Frame leg brace to create additional privacy between the bench and a corridor as well as a physical enclosure between adjustable leg columns to the floor.

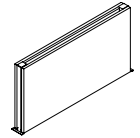
HWBCGE
hiSpace Double-Sided End Gable

WHAT'S INCLUDED

1 outer gable (material is specified), 1 metal inner gable, mounting hardware.

NOTES

Gables are outward facing and do not wrap around the leg columns.



PRODUCT OPTIONS

Depth	Outer Gable Finish	Inner Metal Gable Finish
48, 60	Metal Laminate Smooth Felt	52 Ebony 60 Platinum 83 Very White

SAMPLE ORDER CODE

HWBCGE 60	52	52
------------------	-----------	-----------

**DIMENSIONS
INCHES / MM**

PRICING

D	Foundation	Mica/Accent	Laminate	Smooth Felt
48 / 1219	264	273	319	233
60 / 1524	283	291	335	249

hispace double-sided bench

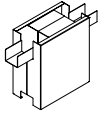
HWBECMD

hiSpace Double-Sided Cable Riser - Mid

The hiSpace Double-Sided Cable Riser is used to route/store power and data cables from the floor and spine tray. Also used to connect two spine trays.

WHAT'S INCLUDED

1 cable riser, 1 wire bridge, mounting hardware.



PRODUCT OPTIONS

Cover Finish

- 52 Ebony
- 60 Platinum
- 83 Very White

SAMPLE ORDER CODE

HWBECMD 83

PRICING

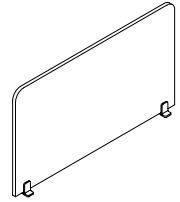
436

The hiSpace Double-Sided Spine Screen – Solid attaches to the bench frame and provides casual privacy and space division.

WHAT'S INCLUDED

1 solid screen with mounting brackets, bracket covers and hardware.

H W B C T S
hiSpace Double-Sided Spine Screen
- Solid



PRODUCT OPTIONS

Height	Width	Corner Profile	Surface Finish	Bracket Finish
51	46, 52, 58, 64, 70	R Round Corners S Square Corners	Source Laminate Foundation Laminate	Foundation Mica Accent

SAMPLE ORDER CODE

HWBCTS 51	70	S	YQ	83
------------------	-----------	----------	-----------	-----------

DIMENSIONS
INCHES / MM

H	W
51 / 1295	46 / 1168
51 / 1295	52 / 1320
51 / 1295	58 / 1473
51 / 1295	64 / 1626
51 / 1295	70 / 1778

PRICING

Source Laminate	Foundation Laminate
624	711
673	835
732	805
798	877
868	954

If Mica/Accent Bracket Finish is specified, add 28

hispace double-sided bench

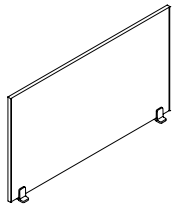
HWBCTF

hiSpace Double-Sided Spine Screen - Framed Fabric

The hiSpace Double-Sided Spine Screen – Framed Fabric attaches to the bench frame and provides casual privacy and space division.

WHAT'S INCLUDED

1 framed fabric screen with mounting brackets, bracket covers and hardware.



PRODUCT OPTIONS

Height	Width	Screen Finish	Bracket Finish	Frame Finish
51	46, 52, 58, 64, 70	Panel Fabrics Upholstery Fabrics	Foundation Mica Accent	Foundation Mica Accent

SAMPLE ORDER CODE

HWBCTF 51	70	B203	83	52
------------------	-----------	-------------	-----------	-----------

DIMENSIONS INCHES / MM

H	W
51 / 1295	46 / 1168
51 / 1295	52 / 1321
51 / 1295	58 / 1473
51 / 1295	64 / 1626
51 / 1295	70 / 1778

PRICING

PANEL FABRIC

COM/ Grade A	Grade 1	Grade 2	Grade 3	Grade 4	Grade 5
941	962	988	1088	1158	1227
1013	1036	1068	1184	1263	1342
1108	1133	1169	1298	1390	1480
1194	1221	1262	1408	1508	1608
1274	1307	1353	1511	1621	1734

UPHOLSTERY FABRIC

COM/ Grade 1	Grade 2	Grade 3	Grade 4	Grade 5	Grade 6	Grade 7	Grade 8	Grade 9	Grade 10
948	1029	1063	1114	1189	1234	1277	1368	1462	1500
1021	1115	1155	1212	1297	1349	1400	1508	1611	1658
1116	1220	1266	1332	1430	1488	1544	1663	1784	1834
1203	1320	1369	1443	1551	1616	1682	1813	1948	2004
1285	1415	1471	1550	1670	1743	1813	1960	2107	2169

If Mica/Accent Bracket Finish is specified, add 28

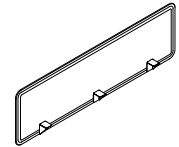
If Mica/Accent Frame Finish is specified, add 28

The hiSpace Double-Sided Desk Edge Screen – Infinity attaches to the worksurface and provides casual privacy and space division.

WHAT'S INCLUDED

1 screen with mounting bracket and hardware.

HWBCDX
hiSpace Double-Sided Desk Edge
Screen - Infinity



PRODUCT OPTIONS

Height	Width	Screen Finish	Bracket Finish
42, 51	46, 52, 58, 64, 70	Panel Fabrics Upholstery Fabrics	Foundation Mica Accent

SAMPLE ORDER CODE

HWBCDX 51	70	B203	83
------------------	-----------	-------------	-----------

DIMENSIONS
INCHES / MM

H	W
42 / 1067	46 / 1168
42 / 1067	52 / 1321
42 / 1067	58 / 1473
42 / 1067	64 / 1626
42 / 1067	70 / 1778
51 / 1295	46 / 1168
51 / 1295	52 / 1321
51 / 1295	58 / 1473
51 / 1295	64 / 1626
51 / 1295	70 / 1778

PRICING

PANEL FABRIC

COM/ Grade A	Grade 1	Grade 2	Grade 3	Grade 4	Grade 5
1012	1025	1042	1108	1152	1196
1043	1058	1079	1151	1202	1250
1133	1151	1173	1254	1308	1364
1217	1235	1261	1347	1409	1470
1290	1308	1335	1431	1498	1565
1253	1274	1305	1415	1493	1569
1357	1383	1416	1540	1629	1714
1481	1509	1547	1685	1781	1875
1612	1643	1685	1836	1940	2045
1734	1767	1813	1977	2091	2203

UPHOLSTERY FABRIC

COM/ Grade 1	Grade 2	Grade 3	Grade 4	Grade 5	Grade 6	Grade 7	Grade 8	Grade 9	Grade 10
1015	1068	1090	1122	1172	1202	1231	1290	1349	1373
1049	1107	1132	1168	1221	1255	1286	1354	1420	1449
1139	1205	1233	1273	1334	1368	1405	1479	1551	1583
1221	1295	1326	1369	1436	1474	1514	1595	1675	1711
1296	1373	1408	1455	1528	1569	1611	1699	1788	1826
1260	1349	1387	1443	1529	1576	1626	1730	1832	1875
1365	1465	1510	1572	1667	1720	1776	1892	2006	2054
1489	1601	1650	1719	1821	1884	1946	2072	2198	2254
1622	1745	1799	1873	1987	2054	2123	2261	2399	2458
1743	1877	1935	2018	2141	2216	2288	2438	2593	2655

hispace double-sided bench

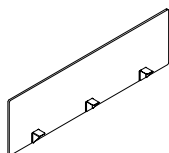
H W B C D Z

hiSpace Double-Sided Desk Edge Screen - Smooth Felt

The hiSpace Double-Sided Desk Edge Screen – Smooth Felt attaches to the worksurface and provides casual privacy and space division.

WHAT'S INCLUDED

1 screen with mounting bracket and hardware.



PRODUCT OPTIONS

Height	Width	Corner Profile	Screen Finish	Bracket Finish
42	46, 52, 58, 64, 70	R Round Corners S Square Corners	Smooth Felt Finishes	Foundation Mica Accent

SAMPLE ORDER CODE

HWBCDZ 42	46	R	R4	60
------------------	-----------	----------	-----------	-----------

**DIMENSIONS
INCHES / MM**

H	W
42 / 1067	46 / 1168
42 / 1067	52 / 1320
42 / 1067	58 / 1473
42 / 1067	64 / 1626
42 / 1067	70 / 1778

PRICING

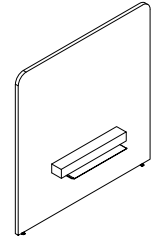
Foundation	Mica/Accent
546	573
564	592
985	1013
985	1013
995	1023

The hiSpace Double-Sided End of Run Screen – Solid mounts directly to the double-sided bench frame structure to create a physical separation between the bench and the corridor.

WHAT'S INCLUDED

1 screen with mounting bracket and hardware.

H W B T W S
hiSpace Double-Sided End of Run
Screen - Solid



PRODUCT OPTIONS

Height	Width	Corner Profile	Surface Finish	Bracket Finish
51	48, 60	R Round Corners S Square Corners	Source Laminate Foundation Laminate	52 Ebony 60 Platinum 83 Very White

SAMPLE ORDER CODE

HWBTWS 51	60	R	YQ	83
------------------	-----------	----------	-----------	-----------

DIMENSIONS
INCHES / MM

H	W
51 / 1295	48 / 1219
51 / 1295	60 / 1524

PRICING

Source Laminate	Foundation Laminate
690	789
780	889

hispace double-sided bench

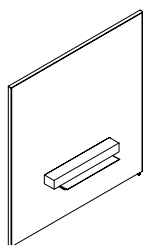
HWBTWF

hiSpace Double-Sided End of Run Screen - Framed Fabric

The hiSpace Double-Sided End of Run Screen – Framed Fabric mounts directly to the double-sided bench frame structure to create a physical separation between the bench and the corridor.

WHAT'S INCLUDED

1 screen with mounting bracket and hardware.



PRODUCT OPTIONS

Height	Width	Screen Finish	Bracket Finish	Frame Finish
51	48, 60	Panel Fabrics Upholstery Fabrics	52 Ebony 60 Platinum 83 Very White	Foundation Mica Accent

SAMPLE ORDER CODE

HWBTWF 51	60	B203	83	85
------------------	-----------	-------------	-----------	-----------

DIMENSIONS INCHES / MM

H	W
51 / 1295	48 / 1219
51 / 1295	60 / 1524

PRICING

PANEL FABRIC

COM/ Grade A	Grade 1	Grade 2	Grade 3	Grade 4	Grade 5
1465	1499	1539	1695	1804	1913
1668	1708	1761	1956	2094	2230

UPHOLSTERY FABRIC

COM/ Grade 1	Grade 2	Grade 3	Grade 4	Grade 5	Grade 6	Grade 7	Grade 8	Grade 9	Grade 10
1485	1611	1666	1745	1864	1934	2002	2144	2290	2349
1688	1847	1914	2014	2162	2250	2336	2517	2699	2776

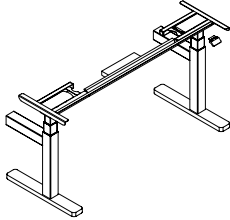
If Mica/Accent Frame Finish is specified, add 28

hispace single-sided bench

hispace single-sided bench product map

HWBFYS hiSpace Single-Sided Frame

Page 258



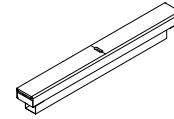
HWBFBS hiSpace Single-Sided Base Link

Page 259



HWBFSH hiSpace Single-Sided Spine Tray

Page 260



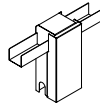
HWBLBS hiSpace Single-Sided Corridor Screen Alignment Clip - Solid

Page 261



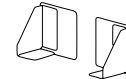
HWBECMS hiSpace Single-Sided Cable Riser - Mid

Page 262



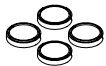
HWBFSC hiSpace Single-Sided Weldment Cover

Page 263



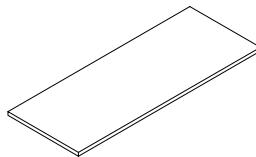
HWBFWK hiSpace Single-Sided Leveler Extension Blocks

Page 264



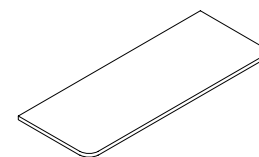
HWBWBS hiSpace Single-Sided Rectangular Worksurface with Square Corners

Page 266



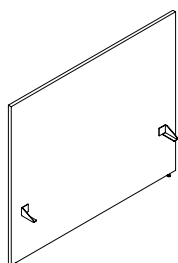
HWBWJS hiSpace Single-Sided Rectangular Worksurface with Radius Corners

Page 268



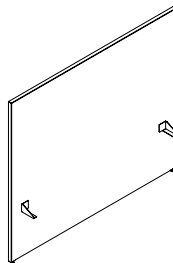
HWBLSS hiSpace Single-Sided Corridor Screen - Solid

Page 270



HWBLSF hiSpace Single-Sided Corridor Screen - Framed Fabric

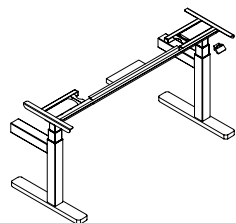
Page 271



hispace single-side bench

HWBFYS

hiSpace Single-Sided Frame



The hiSpace Single-Sided Frame is used with two Single-Sided Worksurfaces to create a Height-Adjustable or Fixed Height Bench workstation.

WHAT'S INCLUDED

Each frame includes 1 electric height-adjustable mechanism with switch (height-adjustable only), 2 leg columns (height adjustable or fixed height), 2 leg braces, 1 top frame, and 2 feet.

NOTES

Switch is not included with fixed height option.

Requires one Single-Sided Rectangular Worksurface (HWBWBS/HWBWJS).

Switches have programmable settings.

All electrical base mechanisms have a 0.2 watt resting power draw (height-adjustable only).

PRODUCT OPTIONS

Base Mechanism	Depth	Width	Switch	Finish
9E Extended Electric - Extended (22.6" - 48.7")	24, 30	46, 52, 58, 64, 70	N None	52 Ebony
2F Fixed Height (29")			D Display with Up/Down Memory	60 Platinum
			A Toggle Display with Memory	83 Very White

SAMPLE ORDER CODE

HWBFYS 9E	30	70	D	83
------------------	-----------	-----------	----------	-----------

STYLE

Extended Electric
Fixed Height

PRICING

2137
1313

The hiSpace Single-Sided Base Link is used to join a Single-Sided Frame to another Single-Sided Frame.

WHAT'S INCLUDED

1 frame base link, assembly hardware.

H W B F B S
hiSpace Single-Sided Base Link



PRODUCT OPTIONS

Finish
52 Ebony
60 Platinum
83 Very White

SAMPLE ORDER CODE

HWBFBS 83

PRICING

97

hispace single-side bench

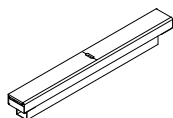
H W B F S H

hiSpace Single-Sided Spine Tray

The hiSpace Single-Sided Spine Tray carries cables across workstations and is used to support power modules.

WHAT'S INCLUDED

1 spine tray, felt cover, mounting hardware, and power module cover (if specified).



PRODUCT OPTIONS

Width	Power Module Cover	Power Style	Spine Tray Finish	Smooth Felt Cover Finish
46, 52, 58, 64, 70	0 No Cover 1 Single Cover	S Standard C Chicago	52 Ebony 60 Platinum 83 Very White	Smooth Felt Finishes

SAMPLE ORDER CODE

HWBFSH 70	1	S	83	R5
------------------	----------	----------	-----------	-----------

**DIMENSIONS
INCHES / MM**

W
46 / 1168
52 / 1321
58 / 1473
64 / 1626
70 / 1778

PRICING

394
413
429
442
463

The hiSpace Single-Sided Corridor Screen Alignment Clip is used to assist in alignment and gap control of side-by-side corridor screens.

WHAT'S INCLUDED

1 alignment clip, mounting hardware.

NOTES

Please ensure to predrill as this is a field installation and no pilot holes will be included on the screening.

HWBLBS
hiSpace Single-Sided Corridor
Screen Alignment Clip - Solid



PRODUCT OPTIONS

Connection Style	Finish
180	Foundation Mica Accent

SAMPLE ORDER CODE

HWBLBS 180	60
-------------------	-----------

PRICING

Foundation	Mica/Accent
59	63

hispace single-side bench

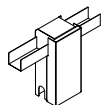
HWBECMS

hiSpace Single-Sided Cable Riser - Mid

The hiSpace Single-Sided Cable Riser is used to route/store power and data cables from the floor and spine tray. Also used to connect two spine trays.

WHAT'S INCLUDED

1 cable riser, 1 wire bridge, mounting hardware.



PRODUCT OPTIONS

Finish

52 Ebony

60 Platinum

83 Very White

SAMPLE ORDER CODE

HWBECMS 83

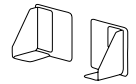
PRICING

436

The hiSpace Single-Sided Weldment Cover is used to cover the provision used for screen mounting in the event there are no screens in the single-sided application.

WHAT'S INCLUDED
Quantity 2 weldment covers.

H W B F S C
hiSpace Single-Sided
Weldment Cover



PRODUCT OPTIONS

Finish
52 Ebony
60 Platinum
83 Very White

SAMPLE ORDER CODE

HWBFSC 60

PRICING

72

hispace single-side bench

HWBFWK

hiSpace Single-Sided Leveler Extension Blocks

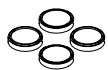
The hiSpace Single-Sided Leveler Extension Blocks are used to increase the leveling capabilities on single-sided frames by increments of 3/8".

WHAT'S INCLUDED

Specified quantity of leveler blocks.

NOTES

It is not recommended to stack more than two leveler blocks under each table leveler.



PRODUCT OPTIONS

Quantity	Finish
04	24 Greystone
32	60 Platinum

SAMPLE ORDER CODE

HWBFWK 04	60
-----------	----

DIMENSIONS INCHES / MM

Quantity
04
32

PRICING

32
253

hispace single-side bench

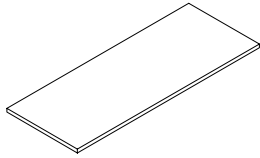
H W B W B S

hiSpace Single-Sided Rectangular Worksurface with Square Corners

The hiSpace Single-Sided Rectangular Worksurface with Square Corners is used with the Single-Sided Frame to make a Single-Sided workstation.

WHAT'S INCLUDED

1 worksurface.



PRODUCT OPTIONS

Depth	Width	Center Access Door Cut Out	Grommet Cut Out Location	Surface Finish	Edge Trim Style	Edge Trim Finish
23, 29	46, 52, 58, 64, 70	N No Cut Out C Center Access Door Cut Out	N None C Center L Left R Right B Left & Right A Center & Left D Center & Right E Center, Left & Right	Source Laminate Foundation Laminate	6 Straight 8 Flat 2 Bullnose H Full Knife	Edge Trim Colors

SAMPLE ORDER CODE

HWBWS 29	70	C	L	YQ	6	BL
-----------------	-----------	----------	----------	-----------	----------	-----------

**DIMENSIONS
INCHES / MM**

D	W
23 / 584	46 / 1168
23 / 584	52 / 1321
23 / 584	58 / 1473
23 / 584	64 / 1626
23 / 584	70 / 1778
29 / 737	46 / 1168
29 / 737	52 / 1321
29 / 737	58 / 1473
29 / 737	64 / 1626
29 / 737	70 / 1778

PRICING

NO CUT OUT (N)						CENTER (C), LEFT (L), RIGHT (R)				
NONE (N)						SOURCE LAMINATE		FOUNDATION LAMINATE		
						Straight Edge	Flat Edge	Straight Edge	Bullnose Edge	Full Knife Edge
						428	477	487	561	615
						514	629	639	720	814
						590	639	650	738	829
						601	648	660	756	846
						612	659	673	773	860
						498	523	531	615	670
						532	647	658	747	839
						626	659	672	766	856
						639	673	682	784	876
						650	682	698	803	890
						539	565	573	657	712
						575	689	701	790	882
						669	702	713	807	899
						681	715	725	826	918
						691	725	740	846	933

Pricing is continued on the following page.

H W B W B S
hiSpace Single-Sided Rectangular
Worksurface with Square Corners
(Continued)

DIMENSIONS
INCHES / MM

D	W
23 / 584	46 / 1168
23 / 584	52 / 1321
23 / 584	58 / 1473
23 / 584	64 / 1626
23 / 584	70 / 1778
29 / 737	46 / 1168
29 / 737	52 / 1321
29 / 737	58 / 1473
29 / 737	64 / 1626
29 / 737	70 / 1778

PRICING

NO CUT OUT (N) (CONTINUED)

LEFT & RIGHT (B), CENTER & LEFT (A), CENTER & RIGHT (D)				
SOURCE LAMINATE	FOUNDATION LAMINATE			
Straight Edge	Flat Edge	Straight Edge	Bullnose Edge	Full Knife Edge
512	561	571	646	699
599	713	724	805	899
675	724	734	822	914
686	733	745	841	930
697	744	757	857	944
582	608	616	699	755
617	732	742	832	923
711	744	756	850	941
724	757	767	868	960
734	767	783	887	974

CENTER, LEFT & RIGHT (E)				
SOURCE LAMINATE	FOUNDATION LAMINATE			
Straight Edge	Flat Edge	Straight Edge	Bullnose Edge	Full Knife Edge
554	604	614	688	741
641	756	766	848	941
717	766	776	864	956
728	775	788	883	972
739	786	799	900	986
624	650	658	741	797
659	774	785	875	966
754	786	798	892	983
766	799	809	911	1002
776	809	825	930	1017

CENTER ACCESS DOOR CUT OUT (C)

NONE (N)				
SOURCE LAMINATE	FOUNDATION LAMINATE			
Straight Edge	Flat Edge	Straight Edge	Bullnose Edge	Full Knife Edge
508	558	567	643	696
595	710	719	802	894
672	719	731	819	911
682	730	741	836	926
694	740	754	854	941
579	604	612	696	752
614	728	739	828	920
708	740	753	847	937
719	754	763	864	956
731	763	778	884	971

LEFT (L), RIGHT (R)				
SOURCE LAMINATE	FOUNDATION LAMINATE			
Straight Edge	Flat Edge	Straight Edge	Bullnose Edge	Full Knife Edge
551	600	610	684	738
638	753	762	844	937
713	762	773	861	952
725	771	784	879	969
735	783	796	896	983
621	646	654	738	793
655	770	782	871	963
749	783	795	889	979
762	796	805	907	999
773	805	821	926	1013

LEFT & RIGHT (B)

LEFT & RIGHT (B)				
SOURCE LAMINATE	FOUNDATION LAMINATE			
Straight Edge	Flat Edge	Straight Edge	Bullnose Edge	Full Knife Edge
593	643	652	727	780
680	795	804	886	979
756	804	815	904	995
767	814	826	921	1010
777	825	838	938	1025
664	688	697	780	835
698	813	824	913	1005
792	825	836	931	1022
804	838	848	949	1041
815	848	863	969	1056

hispace single-side bench

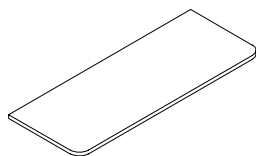
H W B W J S

hiSpace Single-Sided Rectangular Worksurface with Radius Corners

The hiSpace Single-Sided Rectangular Worksurface with Radius Corners is used with the single-sided frame to make a single-sided workstation.

WHAT'S INCLUDED

1 worksurface.



PRODUCT OPTIONS

Depth	Width	Center Access Door Cut Out	Grommet Cut Out Location	Surface Finish	Edge Trim Style	Edge Trim Finish
23, 29	46, 52, 58, 64, 70	N No Cut Out C Center Access Door Cut Out	N None C Center L Left R Right B Left & Right A Center & Left D Center & Right E Center, Left & Right	Source Laminate Foundation Laminate	6 Straight	Edge Trim Colors

SAMPLE ORDER CODE

HWBWJS 29	70	C	L	YQ	6	BL
------------------	-----------	----------	----------	-----------	----------	-----------

**DIMENSIONS
INCHES / MM**

D	W
23 / 584	46 / 1168
23 / 584	52 / 1321
23 / 584	58 / 1473
23 / 584	64 / 1626
23 / 584	70 / 1778
29 / 737	46 / 1168
29 / 737	52 / 1321
29 / 737	58 / 1473
29 / 737	64 / 1626
29 / 737	70 / 1778

PRICING

NO CUT OUT (N)			
NONE (N)		CENTER (C), LEFT (L), RIGHT (R)	
SOURCE LAMINATE	FOUNDATION LAMINATE	SOURCE LAMINATE	FOUNDATION LAMINATE
Straight Edge	Straight Edge	Straight Edge	Straight Edge
428	487	470	529
514	639	557	681
590	650	632	691
601	660	644	703
612	673	654	715
498	531	539	573
532	658	575	701
626	672	669	713
639	682	681	725
650	698	691	740

Pricing is continued on the following page.

H W B W J S
hiSpace Single-Sided Rectangular
Worksurface with Radius Corners
(Continued)

DIMENSIONS
INCHES / MM

PRICING

		NO CUT OUT (N) (CONTINUED)			
		LEFT & RIGHT (B), CENTER & LEFT (A), CENTER & RIGHT (D)		CENTER, LEFT & RIGHT (E)	
D	W	SOURCE LAMINATE	FOUNDATION LAMINATE	SOURCE LAMINATE	FOUNDATION LAMINATE
		Straight Edge	Straight Edge	Straight Edge	Straight Edge
23 / 584	46 / 1168	512	571	554	614
23 / 584	52 / 1321	599	724	641	766
23 / 584	58 / 1473	675	734	717	776
23 / 584	64 / 1626	686	745	728	788
23 / 584	70 / 1778	697	757	739	799
29 / 737	46 / 1168	582	616	624	658
29 / 737	52 / 1321	617	742	659	785
29 / 737	58 / 1473	711	756	754	798
29 / 737	64 / 1626	724	767	766	809
29 / 737	70 / 1778	734	783	776	825

		CENTER ACCESS DOOR CUT OUT (C)			
		NONE (N)		LEFT (L), RIGHT (R)	
D	W	SOURCE LAMINATE	FOUNDATION LAMINATE	SOURCE LAMINATE	FOUNDATION LAMINATE
		Straight Edge	Straight Edge	Straight Edge	Straight Edge
23 / 584	46 / 1168	508	567	551	610
23 / 584	52 / 1321	595	719	638	762
23 / 584	58 / 1473	672	731	713	773
23 / 584	64 / 1626	682	741	725	784
23 / 584	70 / 1778	694	754	735	796
29 / 737	46 / 1168	579	612	621	654
29 / 737	52 / 1321	614	739	655	782
29 / 737	58 / 1473	708	753	749	795
29 / 737	64 / 1626	719	763	762	805
29 / 737	70 / 1778	731	778	773	821

		LEFT & RIGHT (B)	
		SOURCE LAMINATE	FOUNDATION LAMINATE
D	W	Straight Edge	Straight Edge
		23 / 584	46 / 1168
23 / 584	52 / 1321	680	804
23 / 584	58 / 1473	756	815
23 / 584	64 / 1626	767	826
23 / 584	70 / 1778	777	838
29 / 737	46 / 1168	664	697
29 / 737	52 / 1321	698	824
29 / 737	58 / 1473	792	836
29 / 737	64 / 1626	804	848
29 / 737	70 / 1778	815	863

hispace single-side bench

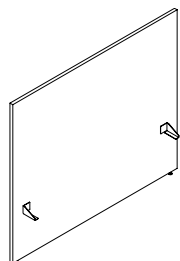
HWBLSS

hiSpace Single-Sided Corridor Screen - Solid

The hiSpace Single-Sided Corridor Screen – Solid attaches to the single-sided bench frame and provides casual privacy and space division between the bench and aisle way.

WHAT'S INCLUDED

1 screen with mounting bracket and hardware.



PRODUCT OPTIONS

Height	Width	Surface Finish
51	48, 54, 60, 66, 72	Source Laminate Foundation Laminate

SAMPLE ORDER CODE

HWBLSS 51	70	YQ
-----------	----	----

DIMENSIONS INCHES / MM

H	W
51 / 1295	48 / 1219
51 / 1295	54 / 1372
51 / 1295	60 / 1524
51 / 1295	66 / 1676
51 / 1295	72 / 1829

PRICING

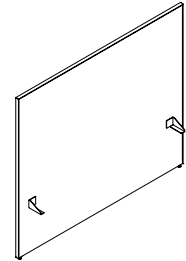
Source Laminate	Foundation Laminate
694	790
738	915
783	923
835	952
886	1010

The hiSpace Single-Sided Corridor Screen – Framed Fabric attaches to the single-sided bench frame and provides casual privacy and space division between the bench and aisle way.

WHAT'S INCLUDED

1 screen with mounting bracket and hardware.

HWBLSF
hiSpace Single-Sided Corridor
Screen - Framed Fabric



PRODUCT OPTIONS

Height	Width	Screen Finish	Frame Finish
51	48, 54, 60, 66, 72	Panel Fabrics Upholstery Fabrics	Foundation Mica Accent

SAMPLE ORDER CODE

HWBLSF 51	72	B203	83
------------------	-----------	-------------	-----------

DIMENSIONS
INCHES / MM

H	W
51 / 1295	48 / 1219
51 / 1295	54 / 1372
51 / 1295	60 / 1524
51 / 1295	66 / 1676
51 / 1295	72 / 1829

PRICING

PANEL FABRIC

COM/ Grade A	Grade 1	Grade 2	Grade 3	Grade 4	Grade 5
1419	1445	1484	1618	1712	1805
1598	1630	1670	1820	1924	2028
1630	1662	1709	1873	1989	2102
1774	1812	1862	2042	2168	2292
1806	1846	1899	2096	2232	2369

UPHOLSTERY FABRIC

COM/ Grade 1	Grade 2	Grade 3	Grade 4	Grade 5	Grade 6	Grade 7	Grade 8	Grade 9	Grade 10
1429	1537	1583	1651	1752	1813	1872	1995	2119	2172
1609	1731	1784	1859	1971	2038	2103	2243	2379	2439
1639	1774	1833	1916	2040	2114	2188	2339	2492	2555
1786	1934	1995	2087	2223	2304	2384	2551	2718	2787
1818	1978	2046	2145	2292	2379	2467	2649	2830	2907

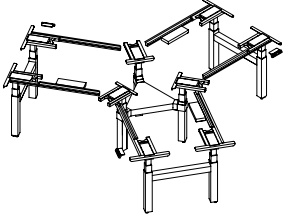
If Mica/Accent Frame Finish is specified, add 28

hispace 120 bench

hispace 120 bench product map

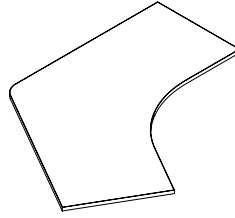
HWBFYT hiSpace 120 Frame

Page 274



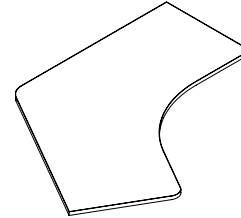
HWBWB T hiSpace 120 Worksurface with Square Corners

Page 275



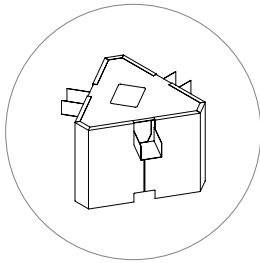
HWBWJ T hiSpace 120 Worksurface with Radius Corners

Page 276



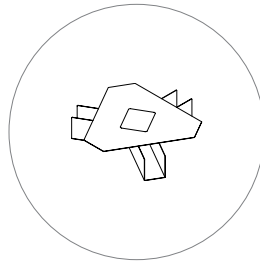
HWBECMT hiSpace 120 Cable Riser

Page 277



HWBEWT hiSpace 120 Wire Bridge

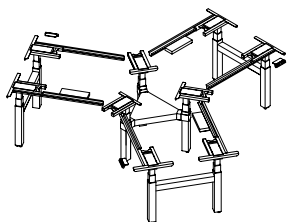
Page 278



hispace 120 bench

HWBFYT

hiSpace 120 Frame



The hiSpace 120 Frame is paired with 120 Worksurface with Square Corners (HWBWB T) or 120 Worksurface with Radius Corners (HWBWJ T) to create a Height-Adjustable or Fixed Height 120 Bench Station.

WHAT'S INCLUDED

Each 120 Frame includes 3 bench stations, 9 leg columns (height-adjustable or fixed) with levelers, 6 cross channels, 3 end leg braces, 1 mid leg brace, 3 switches for height-adjustable stations, appropriate hardware.

NOTES

Switch is not included with fixed height option.

Requires three 120 Worksurfaces (HWBWB T/HWBWJ T).

Include Covers/Gables to conceal leg braces.

1-1/8" of leveling.

All electric base mechanisms have a 0.2 watt resting power draw and use a 240V universal control box (height-adjustable only).

PRODUCT OPTIONS

Base Mechanism	Depth	Width	Switch	Finish
9E Extended Electric - Extended (22.6" - 48.7") 2F Fixed Height (29")	48, 60	46, 52, 58	N None D Display with Up/Down Memory A Toggle Display with Memory	52 Ebony 60 Platinum 83 Very White

SAMPLE ORDER CODE

HWBFYT 9E	48	58	D	52
------------------	-----------	-----------	----------	-----------

STYLE

Extended Electric
Fixed Height

PRICING

8554
5241

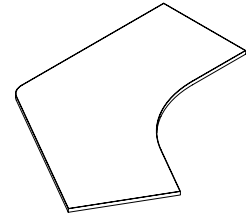
The hiSpace 120 Worksurface with Square Corners is to be paired with the 120 Frame (HWBFYT) to create a Height-Adjustable or Fixed Height 120 Bench station.

H W B W B T

hiSpace 120 Worksurface with Square Corners

WHAT'S INCLUDED

1 worksurface.



PRODUCT OPTIONS

Depth	Width	Surface Finish	Edge Trim Style	Edge Trim Finish	Access Door Cut Out	Grommet Cut Out Location
23, 29	46, 52, 58	Source Laminate	6 Straight	Edge Trim Colors	NN None	N None
		Foundation Laminate	8 Flat		LL Left cut out	C Center
			2 Bullnose		RR Right cut out	L Left
			H Full Knife		BB Both Left and Right cut out	R Right B Left & Right E Center, Left & Right

SAMPLE ORDER CODE

HWBWB T 29	52	YQ	6	ST	BB	L
-------------------	-----------	-----------	----------	-----------	-----------	----------

**DIMENSIONS
INCHES / MM**

D	W
23 / 584	46 / 1168
23 / 584	52 / 1321
23 / 584	58 / 1473
29 / 737	46 / 1168
29 / 737	52 / 1321
29 / 737	58 / 1473

PRICING

SOURCE LAMINATE	FOUNDATION LAMINATE			
	Straight Edge	Flat Edge	Straight Edge	Bullnose Edge
977	1094	1116	1288	1443
1002	1237	1261	1455	1666
1027	1266	1291	1491	1706
1087	1144	1166	1346	1505
1293	1854	1890	2182	2464
1322	1885	1922	2219	2504

If Access Door Cut Out is specified:

Left or Right Access Door Cut-out, add 81
Left & Right Access Door Cut-out, add 159

If Grommet Cut Out is specified:

Left, Right or Center Grommet Cut-out, add 81
Left & Right Grommet Cut-out, add 159
Left, Right & Center Grommet Cut-out, add 240

hispace 120 bench

H W B W J T

hiSpace 120 Worksurface with Radius Corners

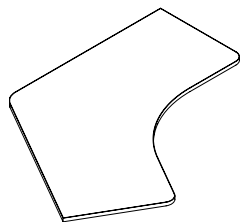
The hiSpace 120 Worksurface with Radius Corners is to be paired with the 120 Frame (HWBFYT) to create a Height-Adjustable or Fixed Height 120 Bench station.

WHAT'S INCLUDED

1 worksurface.

NOTES

Radius corners apply to front user edge corner profile only.



PRODUCT OPTIONS

Depth	Width	Surface Finish	Edge Trim Style	Edge Trim Finish	Access Door Cut Out	Grommet Cut Out Location
23, 29	46, 52, 58	Source Laminate Foundation Laminate	6 Straight	Edge Trim Colors	NN None LL Left cut out RR Right cut out BB Both Left and Right cut out	N None C Center L Left R Right B Left & Right E Center, Left & Right

SAMPLE ORDER CODE

HWBWJT 29	52	YQ	6	ST	BB	L
------------------	-----------	-----------	----------	-----------	-----------	----------

DIMENSIONS INCHES / MM

D	W
23 / 584	46 / 1168
23 / 584	52 / 1321
23 / 584	58 / 1473
29 / 737	46 / 1168
29 / 737	52 / 1321
29 / 737	58 / 1473

PRICING

SOURCE LAMINATE		FOUNDATION LAMINATE	
Straight Edge		Straight Edge	
	977		1116
	1002		1261
	1027		1291
	1087		1166
	1293		1890
	1322		1922

If Access Door Cut Out is specified:

Left or Right Access Door Cut-out, add	81
Left & Right Access Door Cut-out, add	159

If Grommet Cut Out is specified:

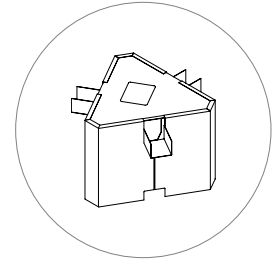
Left, Right or Center Grommet Cut-out, add	81
Left & Right Grommet Cut-out, add	159
Left, Right & Center Grommet Cut-out, add	240

The hiSpace 120 Cable Riser is used to route/store power and data cables from the floor and spine tray.

WHAT'S INCLUDED

120 cable riser, mounting hardware.

HWBECMT
hiSpace 120 Cable Riser - Mid



PRODUCT OPTIONS

Cover Finish

- 52 Ebony
- 60 Platinum
- 83 Very White

SAMPLE ORDER CODE

HWBECMD 83

PRICING

481

hispace 120 bench

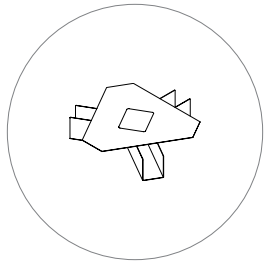
HWBEWT

hiSpace 120 Wire Bridge

The hiSpace 120 Wire Bridge is used to pass cables between three spine trays, specifically when a cable riser is not present at the junction.

WHAT'S INCLUDED

120 wire bridge.



PRODUCT OPTIONS

Finish

- 52 Ebony
- 60 Platinum
- 83 Very White

SAMPLE ORDER CODE

HWBEWT 83

PRICING

189

hispace electric components

hispace electrical components product map

HWBEEE hiSpace Vertical Wire Carrier

Page 284



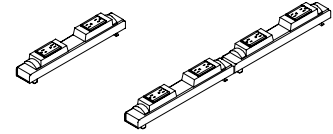
HWBEPM hiSpace Power Module

Page 285



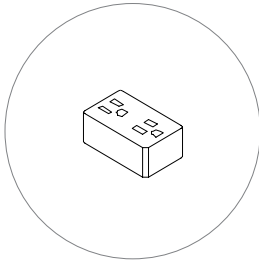
HWBEPMCH hiSpace Chicago Power Module

Page 286



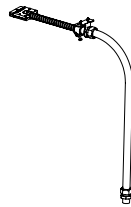
HWBERO hiSpace Receptacle Outlet

Page 287



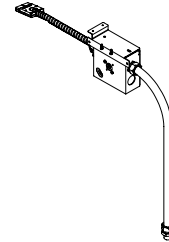
HWBEBF hiSpace Base Feed

Page 288



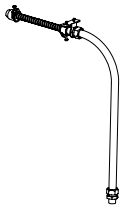
HWBEBFS hiSpace Split Base Feed

Page 289



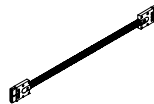
HWBEBFCH hiSpace Chicago Base Feed

Page 290



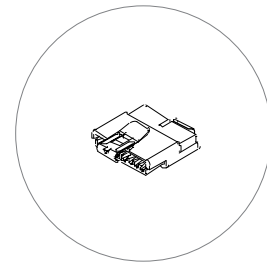
HWBEPH hiSpace Power Harness

Page 291



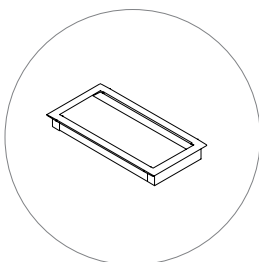
HWBEIC hiSpace I-Connector

Page 292



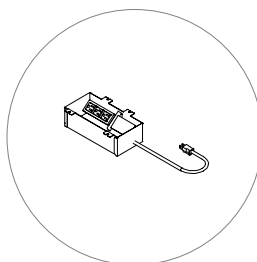
HWBECD hiSpace Center Access Door

Page 293



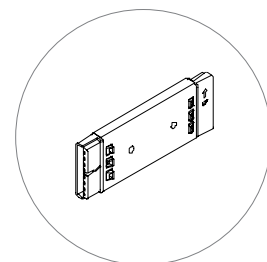
HWBEAP hiSpace Surface Access Power Box

Page 294



HWBELC hiSpace Rigid Connector

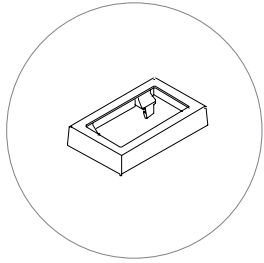
Page 295



hispace electrical components product map

HWBEXP hiSpace Data Extender
Plate

Page 296



HWBEEE

hiSpace Vertical Wire Carrier

The hiSpace Vertical Wire Carrier Vertical Cable Manager safely conceals and carries cables from the spine tray to the worksurface.

WHAT'S INCLUDED

1 Vertical Wire Carrier, 1 top mounting bracket, 1 spine tray mounting bracket, 1 cable tie, mounting hardware.



PRODUCT OPTIONS

Finish

- 52 Ebony
- 60 Platinum
- 83 Very White

SAMPLE ORDER CODE

HWBEEE 52

PRICING

269

The hiSpace Power Module mounts in the spine tray in an orientation that accepts receptacle outlets and faces them upwards.

H W B E P M hiSpace Power Module

WHAT'S INCLUDED

1 power module.

NOTES

Orientation always results in receptacle outlets facing upwards.

Up to two receptacle outlets can face upwards on each power module.

Power modules can be linked together via the Rigid Connector.



PRODUCT OPTIONS

Application	Wire System	Country of Installation	PVC Option
U Facing Up	8K 8-Wire Dual Isolated (7K compatible) 8T Wire Isolated Ground (7K compatible)	A Canada/USA	S Standard V PVC Free

SAMPLE ORDER CODE

HWBEPM U	8K	A	V
-----------------	-----------	----------	----------

**DIMENSIONS
INCHES / MM**

PRICING

Wire System	Standard	PVC Free
8T	358	383
8K	392	416

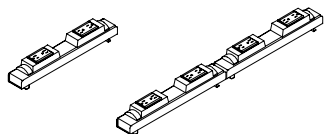
HWBEPMCH

hiSpace Chicago Power Module

The hiSpace Chicago Power Module provides connectivity for either two or four receptacle outlets.

WHAT'S INCLUDED

1 Chicago power module, mounting brackets, mounting hardware.



PRODUCT OPTIONS

Application	Configuration	Receptacle Style	Country of Installation
U Facing Up	D Double (2 Duplexes) Q Quad (4 Duplexes)	S Standard 15 Amp T T-Slot 20 Amp D Controlled 15 Amp E Controlled 20 Amp	A Canada/USA

SAMPLE ORDER CODE

HWBEPMCH U	D	S	A
------------	---	---	---

DIMENSIONS INCHES / MM

PRICING

Configuration	Standard 15 Amp	T-Slot 20 Amp	Controlled 15 Amp	Controlled 20 Amp
D	1050	1073	1050	1073
Q	1063	1087	1063	1087

The hiSpace Receptacle Outlet mounts onto the Power Module to provide access to power.

WHAT'S INCLUDED

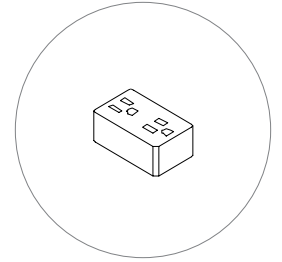
1 receptacle outlet (duplex).

NOTES

Specified individually for maximum flexibility.

Receptacle Styles D & E include markings indicating it is connected to a control system.

HWBERO
hiSpace Receptacle Outlet



PRODUCT OPTIONS

Receptacle Style	Outlet Configuration	Finish	Country of Installation
S Standard 15 Amp	1 Circuit 1	60 Platinum	A Canada/USA
T T-Slot 20 Amp	2 Circuit 2		
D Controlled 15 Amp	3 Circuit 3 (use with 8T only)		
E Controlled 20 Amp	5 Circuit 5		
	6 Circuit 6 (use with 8K only)		
	A Non I.G. Circuit (use with 7T & 7K only)		
	B Non I.G. Circuit (use with 7K only)		

SAMPLE ORDER CODE

HWBERO S	6	60	A
-----------------	----------	-----------	----------

PRICING

Standard 15 Amp	T-Slot 20 Amp	Controlled 15 Amp	Controlled 20 Amp
39	49	39	49

HWBEBF

hiSpace Base Feed

The hiSpace Base Feed is used to route power from the floor to a Power Module.

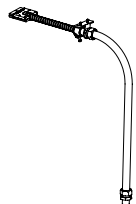
WHAT'S INCLUDED

1 base feed with bracket, i-connector, mounting hardware.

NOTES

Routes to the spine tray via an end cable riser or mid cable riser.

Able to be mounted to an end or mid cable riser as well as directly inside a spine tray.



PRODUCT OPTIONS

Wire System		Actual Length	Country of Installation		PVC Option	
8T	8-Wire Isolated Ground	072, 144	A	Canada/USA	S	Standard
8K	8-Wire Dual Isolated				V	PVC Free
7T	7-Wire Non Isolated Ground					
7K	7-Wire Dual Non Isolated					

SAMPLE ORDER CODE

HWBEBF 8K	072	A	V
------------------	------------	----------	----------

DIMENSIONS INCHES / MM

L
72 / 1829
144 / 3658

PRICING

8-WIRE ISOLATED GROUND		8-WIRE DUAL ISOLATED		7-WIRE NON ISOLATED GROUND		7-WIRE DUAL NON ISOLATED	
Standard	PVC Free	Standard	PVC Free	Standard	PVC Free	Standard	PVC Free
422	466	530	583	422	466	530	583
553	609	689	759	553	609	689	759

The hiSpace Split Base Feed delivers power from the floor to the Power Module. It is wired to the building power supply in two places for compliance with New York City wiring restrictions.

H W B E B F S hiSpace Split Base Feed

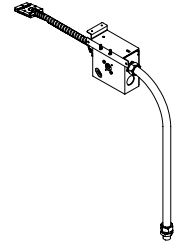
WHAT'S INCLUDED

1 base feed harness, junction box, I-connector, mounting hardware.

NOTES

Routes to the spine tray via an end cable riser or mid cable riser.

Able to be mounted in the mad cable riser and directly inside a spine tray.



PRODUCT OPTIONS

Wire System	Actual Length	Country of Installation	PVC Option
8T 8-Wire Isolated Ground	018, 072	A Canada/USA	Standard
8K 8-Wire Dual Isolated			V PVC Free
7T 7-Wire Non Isolated Ground			
7K 7-Wire Dual Non Isolated			

SAMPLE ORDER CODE

HWBEBFS 8K	072	A	V
-------------------	------------	----------	----------

**DIMENSIONS
INCHES / MM**

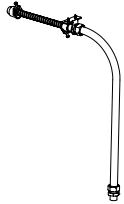
L
18 / 457
72 / 1829

PRICING

8-WIRE ISOLATED GROUND		8-WIRE DUAL ISOLATED		7-WIRE NON ISOLATED GROUND		7-WIRE DUAL NON ISOLATED	
Standard	PVC Free	Standard	PVC Free	Standard	PVC Free	Standard	PVC Free
382	420	485	534	382	420	485	534
454	500	558	615	454	500	558	615

HWBEBFCH

hiSpace Chicago Base Feed



The hiSpace Chicago Base Feed provides a route for delivering power to a Height-Adjustable Bench in accordance with Chicago electrical code.

WHAT'S INCLUDED

1 Chicago base feed, mounting hardware.

NOTES

Routes to the spine tray via an end cable riser or mid cable riser.

Able to be mounted in the mad cable riser and directly inside a spine tray.

PRODUCT OPTIONS

Actual Length	Country of Installation
072, 144	A Canada/USA

SAMPLE ORDER CODE

HWBEBFCH 072	A
--------------	---

DIMENSIONS INCHES / MM

L
72 / 1829
144 / 3658

PRICING

382
499

The hiSpace Power Harness routes power between power modules, and in specific situations, connects a base feed to a power module.

HWBEPH
hiSpace Power Harness

WHAT'S INCLUDED

1 power harness.

NOTES

Power harness is non-directional.

An I-Connector is required to join two power harnesses together.



PRODUCT OPTIONS

Wire System	Length	Country of Installation	PVC Option
8T 8-Wire Isolated Ground	024, 048, 060, 072, 084, 096	A Canada/USA	Standard
8K 8-Wire Dual Isolated			V PVC Free

SAMPLE ORDER CODE

HWBEPH 8K	072	A	V
------------------	------------	----------	----------

**DIMENSIONS
INCHES / MM**

L
24 / 610
48 / 1219
60 / 1524
72 / 1829
84 / 2134
96 / 2439

PRICING

8-WIRE ISOLATED GROUND		8-WIRE DUAL ISOLATED	
Standard	PVC Free	Standard	PVC Free
211	267	256	326
229	288	273	346
235	297	284	356
244	307	293	370
263	331	320	404
276	350	334	422

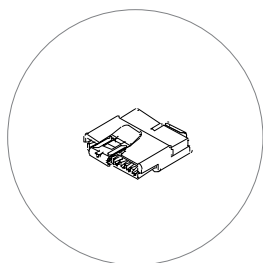
HWBEIC

hiSpace I-Connector

The hiSpace I-Connector is used to join two power harnesses when a single harness is not long enough or connect a power harness to a base feed.

WHAT'S INCLUDED

1 I-connector.



PRODUCT OPTIONS

Country of Installation

A Canada/USA

SAMPLE ORDER CODE

HWBEIC A

PRICING

46

The hiSpace Center Access Door allows users to access surface integrated outlets. Center Access Door is to be paired with a hiSpace Rectangular Worksurface with Center Access Door cut out and a hiSpace Surface Access Power Box to create a worksurface integrated user power solution.

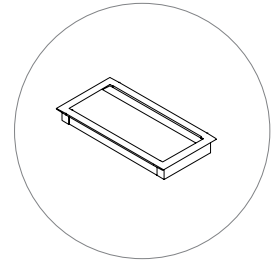
HWBECD
hiSpace Center Access Door

WHAT'S INCLUDED

Center Access Door.

NOTES

Requires Center Access Door cut out to be specified in the applicable worksurface.



PRODUCT OPTIONS

Width	Access Door Finish
09	Foundation Mica Accent

SAMPLE ORDER CODE

HWBECD 09	82
------------------	-----------

**DIMENSIONS
INCHES / MM**

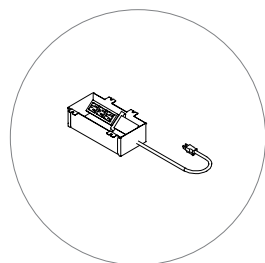
L
9 / 229

PRICING

Foundation	Mica/Accent
187	197

HWBEAP

hiSpace Surface Access Power Box



The hiSpace Surface Access Power Box is to be paired with a hiSpace Rectangular Worksurface with Center Access Door cut out and a hiSpace Center Access Door to create a worksurface integrated user power solution.

WHAT'S INCLUDED

Surface access power box, power cord with specified length.

NOTES

Requires Center Access Door cut out to be specified in the applicable worksurface.

Requires Center Access Door.

Pilot holes are present for installation on the underside of the worksurface when the Center Access Door cut out is specified.

Always includes a data cover plate.

Data cover plate finished in Platinum Coordinate.

USB-A port supplies 10 Watts (5VDC) when used in single port mode.

USB-C port supplies 18 Watts (5/9/12VDC) when used in single port mode.

USB-C port will support Quick Charge when used in single port mode.

When both ports are used at the same time, output may be reduced.

PRODUCT OPTIONS

Application	Configuration	Power Cord Length	Cord & Plug Type
01 HAB - Center Access Door Cut Out	T3000 Triple - 3 Power	P108 Plug-In with 9 ft cord	A Canada/USA Plug-In
	T2110 Triple - 2 Power / 1 USB-A / 1 USB-C	P120 Plug-In with 10 ft cord P180 Plug-In with 15 ft cord	

SAMPLE ORDER CODE

HWBEAP 01	T3000	P120	A
------------------	--------------	-------------	----------

DIMENSIONS INCHES / MM

Configuration
T3000
T2110

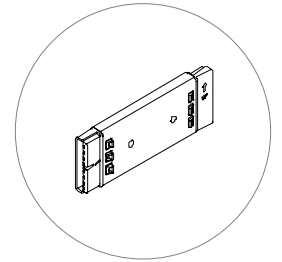
PRICING

Plug-In with 9 ft Cord	Plug-In with 10 ft Cord	Plug-In with 15 ft Cord
466	466	502
519	519	554

The hiSpace Rigid Connector is used to join two power modules together in the same spine tray.

WHAT'S INCLUDED
Rigid Connector.

HWBELC
hiSpace Rigid Connector



PRODUCT OPTIONS

Country of Installation	
A	Canada/USA

SAMPLE ORDER CODE

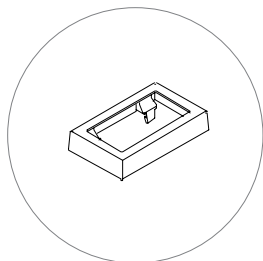
HWBELC A

PRICING

128

HWBEXP

hiSpace Data Extender Plate



The hiSpace Data Extender Plate is placed over a communication opening to provide extended depth for data jacks which may be required in some applications.

WHAT'S INCLUDED

1 Data Extender Plate.

WHAT'S EXCLUDED

Voice/data faceplates and jacks (must be field supplied and installed) and Communication Blank Plate.

NOTES

Consult your data cabling supplier for clearance requirements.

PRODUCT OPTIONS

Finish

YN Platinum Grey Coordinate

SAMPLE ORDER CODE

HWBEXP YN

PRICING

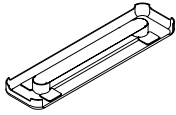
34

hispace universal components

hispace universal components product map

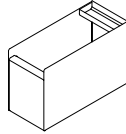
**HWBEWY hiSpace Felt Cover
Cable Organizer**

Page 300



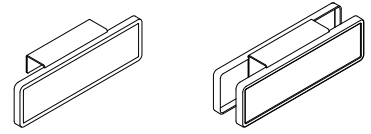
**HWBAWR hiSpace Low Profile
Bag Drop**

Page 301



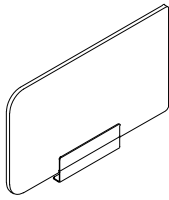
**HWBANP hiSpace Workstation
Name Plate**

Page 302



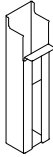
**HWBCLZ hiSpace Smooth Felt
Lateral Screen**

Page 303



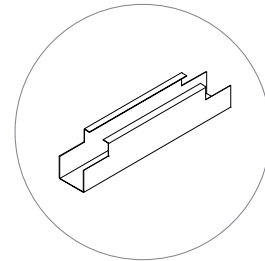
**HWBECE hiSpace Cable Riser -
End**

Page 304



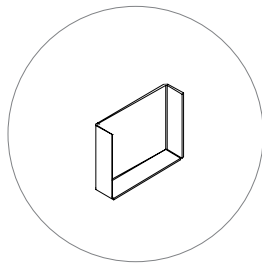
HWBEWB hiSpace Wire Bridge

Page 305



**HWBFTC hiSpace Spine Tray End
Cover**

Page 306



H W B E W Y

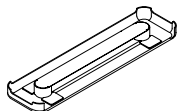
hiSpace Felt Cover Cable Organizer

WHAT'S INCLUDED

1 metal cable organizer spine, two wire looms and three velcro straps, felt cover, mounting hardware.

NOTES

Cut out along one side to allow access for use with Navigate External and Cross Channel Integrated powerbars.



PRODUCT OPTIONS

Configuration

03 Large Cable Organizer With Felt Cover

SAMPLE ORDER CODE

HWBEWY 03

PRICING

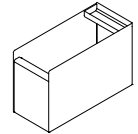
281

The hiSpace Low Profile Bag Drop offers casual mobile storage of personal items and work bags below the worksurface. Designed specifically to neatly fit under the worksurface even with the adjustable table at its lowest setting.

H W B A W R hiSpace Low Profile Bag Drop

WHAT'S INCLUDED

1 low profile bag drop unit, integrated accessory tray, optional smooth felt liner.



PRODUCT OPTIONS

Liner Style		Case Finish	Front & Accessory Finish	Liner Finish
S	Smooth Felt Liner	52 Ebony	Foundation	Smooth Felt Finishes
N	No Liner	60 Platinum	Mica	
		83 Very White	Accent	

SAMPLE ORDER CODE

HWBAWR N	83	83	QR
-----------------	-----------	-----------	-----------

**DIMENSIONS
INCHES / MM**

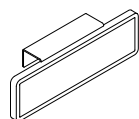
No Liner (N)
Smooth Felt Liner (S)

PRICING

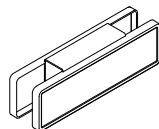
	Foundation	Mica/Accent
No Liner (N)	635	673
Smooth Felt Liner (S)	742	780

HWBANP

hiSpace Workstation Name Plate



Single-Sided



Double-Sided

WHAT'S INCLUDED

1 metal bracket, 1 name plate consisting of 1 metal bezel and 1 plastic chassis, 1 transparent cover sheet, 1 whiteboard, information sheet with link to template.

NOTES

Workstation Name Plate magnetically attaches onto the metal bracket. Single-sided and double-sided options are available for solid, framed fabric and smooth felt screens. Infinity screen for single-sided application only.

Workstation Name Plate can be used in two different ways:

- Whiteboard - for non-permanent use such as hot-desking or co-working applications
- Printed Template - for more permanent applications, users can print their name plate using templates provided on product website. Customizable templates are available for download at www.teknion.com/workstation-nameplate. Printed template is placed behind the transparent cover sheet for added protection.

PRODUCT OPTIONS

Screen Type	Application	Bracket Finish	Bezel Finish
S Solid Screen	S Hang-on Single-Sided	Foundation	Foundation
F Frame Fabric Screen	D Hang-on Double-Sided	Mica	Mica
I Infinity Screen		Accent	Accent
D Smooth Felt			

SAMPLE ORDER CODE

HWBANP S	S	24	24
-----------------	----------	-----------	-----------

STYLE

Single-Sided (S)

Double-Sided (D)

PRICING

Foundation Mica/Accent

70

72

139

144

The hiSpace Smooth Felt Lateral Screen creates casual space division between neighboring workstations.

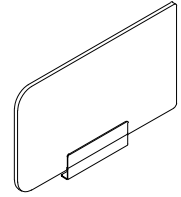
WHAT'S INCLUDED

Lateral smooth felt screen, mounting bracket, mounting hardware.

NOTES

Screens must be specified as left/right as based on the user's orientation.

HWBCLZ
hiSpace Smooth Felt Lateral Screen



PRODUCT OPTIONS

Height	Actual Depth	Screen Fit	Corner Profile	Left/Right	Smooth Felt Finish	Bracket Finish
42 42" Datum Height	23, 29	F Full P Partial (minus 3") E Extended (add 3")	R Radius S Straight	L Left R Right	Smooth Felt Finishes	Foundation Mica Accent

SAMPLE ORDER CODE

HWBCLZ 42	23	F	R	L	ZA	74
------------------	-----------	----------	----------	----------	-----------	-----------

**DIMENSIONS
INCHES / MM**

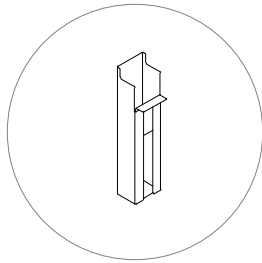
ACTUAL DEPTH
23 / 584
29 / 737
23 / 584
29 / 737
23 / 584
29 / 737

PRICING

FULL	
Foundation	Mica/Accent
237	247
275	288
PARTIAL (MINUS 3")	
Foundation	Mica/Accent
222	234
261	273
EXTENDED (ADDS 3")	
Foundation	Mica/Accent
249	263
290	302

HWBECE

hiSpace Cable Riser - End



The hiSpace Cable Riser - End is used to route power and data cables into the workstation from the floor.

WHAT'S INCLUDED

Cable riser, mounting brackets and hardware.

NOTES

Cable riser mounts directly to the underside of the spine tray.

Attaches to both double and single-sided spine trays.

PRODUCT OPTIONS

Finish

52 Ebony

60 Platinum

83 Very White

SAMPLE ORDER CODE

HWBECE 83

PRICING

131

The hiSpace Wire Bridge is used to pass cables between two frames, specifically when a cable riser is not present at the junction.

WHAT'S INCLUDED

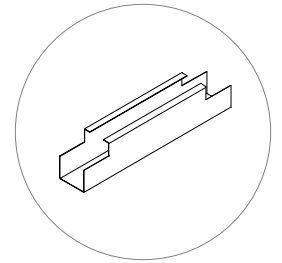
Wire bridge.

NOTES

The removable base link top cover allows access for fastening the wire bridge.

Can be used on either single or double-sided hiSpace benches.

H W B E W B
hiSpace Wire Bridge



PRODUCT OPTIONS

Finish

- 52 Ebony
- 60 Platinum
- 83 Very White

SAMPLE ORDER CODE

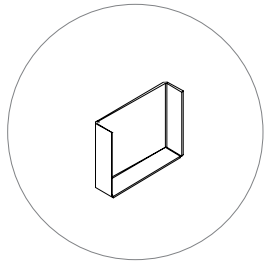
HWBEWB 83

PRICING

89

HWBFTC

hiSpace Spine Tray End Cover



The hiSpace Spine Tray End Cover caps the exposed spine tray end of the start and finish of the bench run.

WHAT'S INCLUDED

1 Spine tray end cover.

NOTES

Not required when an end cable riser, end gable, or end of run screen is present.

PRODUCT OPTIONS

Finish

52 Ebony

60 Platinum

83 Very White

SAMPLE ORDER CODE

HWBFTC 60

PRICING

77

teknion

www.teknion.com

IN CANADA:

1150 Flint Road
Toronto, Ontario
M3J 2J5 Canada
Tel 866.teknion
866.835.6466

IN THE USA:

350 Fellowship Road
Mt Laurel, New Jersey
08054 USA
Tel 877.teknion
877.835.6466

OTHER OFFICES LOCATED IN:

Europe, South and Central America
Middle East, Asia and Russia
For regional contact information
go to www.teknion.com

CAN/US/INT 09-25

©Teknion 2023

®, ™ trade marks of Teknion Corporation and/or its subsidiaries or licensed to it. Patents may be pending. Some products may not be available in all markets. Contact your local Teknion Representative for availability.

SEP25-HAB