






















# TEK VUE DETAIL DRAWING PACKAGE

 NEW

PAGE	NAME	SCALE
<b>ELEVATIONS</b>		
 EL-01	ELEVATION PIVOT DOORS FRAMED & FRAMLESS SINGLE LEAF	1/4" = 1'-0"
 EL-02	ELEVATION BARN DOOR FRAMLESS SINGLE LEAF	1/4" = 1'-0"
 EL-03	ELEVATION BARN DOORS FRAMED SINGLE LEAF & DOUBLE LEAF	1/4" = 1'-0"
<b>HORIZONTAL FRAMES</b>		
 A-01	BASE & CEILING FRAME ASSEMBLY - ACOUSTIC TILE CEILING	6" = 1'-0"
 A-02	BASE & CEILING FRAME ASSEMBLY - DRYWALL CEILING	6" = 1'-0"
<b>DOORS</b>		
 B-01	UNIVERSAL PIVOT DOOR FRAME & FRAMELESS PIVOT SINGLE LEAF - GLASS TO GLASS	6" = 1'-0"
 B-02	UNIVERSAL PIVOT DOOR FRAME & FRAMELESS PIVOT SINGLE LEAF - ACOUSTIC TILE CEILING	6" = 1'-0"
 B-03	UNIVERSAL PIVOT DOOR FRAME & FRAMED PIVOT SINGLE LEAF - GLASS TO GLASS	6" = 1'-0"
 B-04	UNIVERSAL PIVOT DOOR FRAME & FRAMED PIVOT SINGLE LEAF - ACOUSTIC TILE CEILING	6" = 1'-0"
 B-05	UNIVERSAL BARN DOOR FRAME & FRAMELESS BARN SINGLE LEAF - GLASS TO GLASS UNIVERSAL	6" = 1'-0"
 B-06	BARN DOOR FRAME & FRAMELESS BARN SINGLE LEAF - ACOUSTIC TILE CEILING UNIVERSAL	6" = 1'-0"
 B-07	BARN DOOR FRAME & FRAMELESS BARN SINGLE LEAF - DRYWALL CEILING UNIVERSAL PIVOT	6" = 1'-0"
 B-08	DOOR FRAME & FRAMED PIVOT DOUBLE LEAF - GLASS TO GLASS UNIVERSAL PIVOT DOOR	3" = 1'-0"
 B-09	FRAME & FRAMED PIVOT DOUBLE LEAF - HORIZONTAL SECTION UNIVERSAL BARN DOOR	6" = 1'-0"
 B-10	FRAME & FRAMED BARN DOOR SINGLE LEAF - GLASS TO GLASS UNIVERSAL BARN DOOR	6" = 1'-0"
 B-11	FRAME & FRAMED BARN DOOR SINGLE LEAF - ACOUSTIC TILE CEILING UNIVERSAL BARN DOOR	6" = 1'-0"
 B-12	FRAME & FRAMED BARN DOOR DOUBLE LEAF - GLASS TO GLASS UNIVERSAL BARN DOOR	6" = 1'-0"
 B-13	FRAME & FRAMED BARN DOOR DOUBLE LEAF - DRYWALL CEILING	6" = 1'-0"
<b>WALL &amp; DOOR STARTS</b>		
 C-01	WALL START - BASE BUILDING	6" = 1'-0"
 C-02	DOOR START - BASE BUILDING TO PIVOT DOOR/ BARN DOOR	6" = 1'-0"
<b>WALL TRANSITIONS</b>		
 D-01	WALL END WITH CORNER POST OFFSET CONFIGURATIONS	N.T.S.
 D-02	WALL END WITH CORNER POST CENTER CONFIGURATIONS	N.T.S.
 D-03	CORNER POST TRANSITION WITH ALTOS	6" = 1'-0"
 D-04	ALTOS INLINE TRANSITION	6" = 1'-0"
 D-05	FOCUS INLINE TRANSITION	6" = 1'-0"
 D-06	WALL END TRANSITION - FINISHED END/ FASTENED TO FOCUS	6" = 1'-0"
 D-07	WALL END TRANSITION - FASTENED TO ALTOS (ON MODULE)/ (OFF MODULE)	6" = 1'-0"
<b>GLASS FASCIAS &amp; CONNECTORS</b>		
 E-01	INLINE GLASS - 10MM/ 12MM CLEAR PLASTIC CONNECTOR	1" = 1'-0"
 E-02	INLINE GLASS/ 90 DEG. GLASS - INLINE TAPE CONNECTOR	1" = 1'-0"
 E-03	90 DEG. GLASS - 10MM/ 12MM CLEAR PLASTIC CONNECTOR	1" = 1'-0"
 E-04	3-WAY GLASS - 10MM/12MM CLEAR PLASTIC CONNECTOR	1" = 1'-0"
 E-05	3-WAY GLASS/ 4-WAY GLASS CONNECTOR - INLINE TAPE CONNECTOR	1" = 1'-0"
 E-06	VARIABLE ANGLE GLASS - CLEAR PLASTIC CONNECTOR	1" = 1'-0"
<b>RH</b>	<b>REVISION HISTORY</b>	<b>N.T.S</b>

INDEX

N.T.S.

TEK VUE DETAIL DRAWING PACKAGE

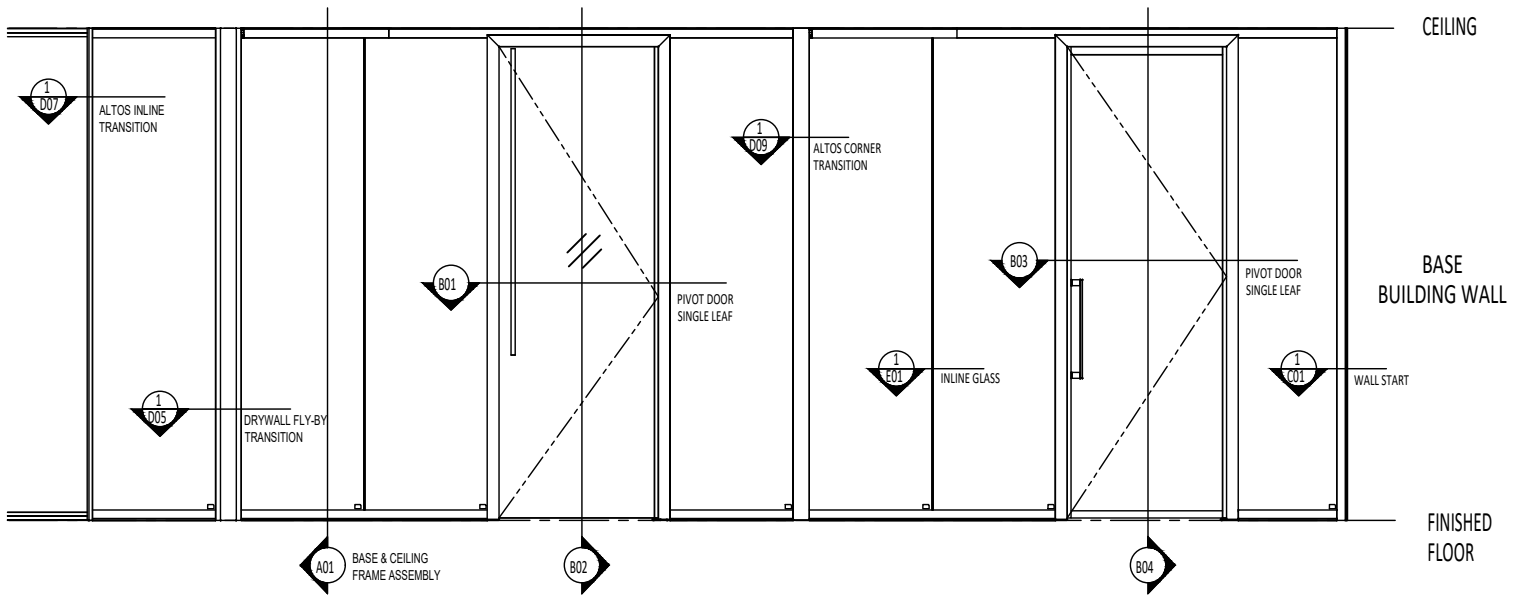
JAN 12, 2022

INDEX-01

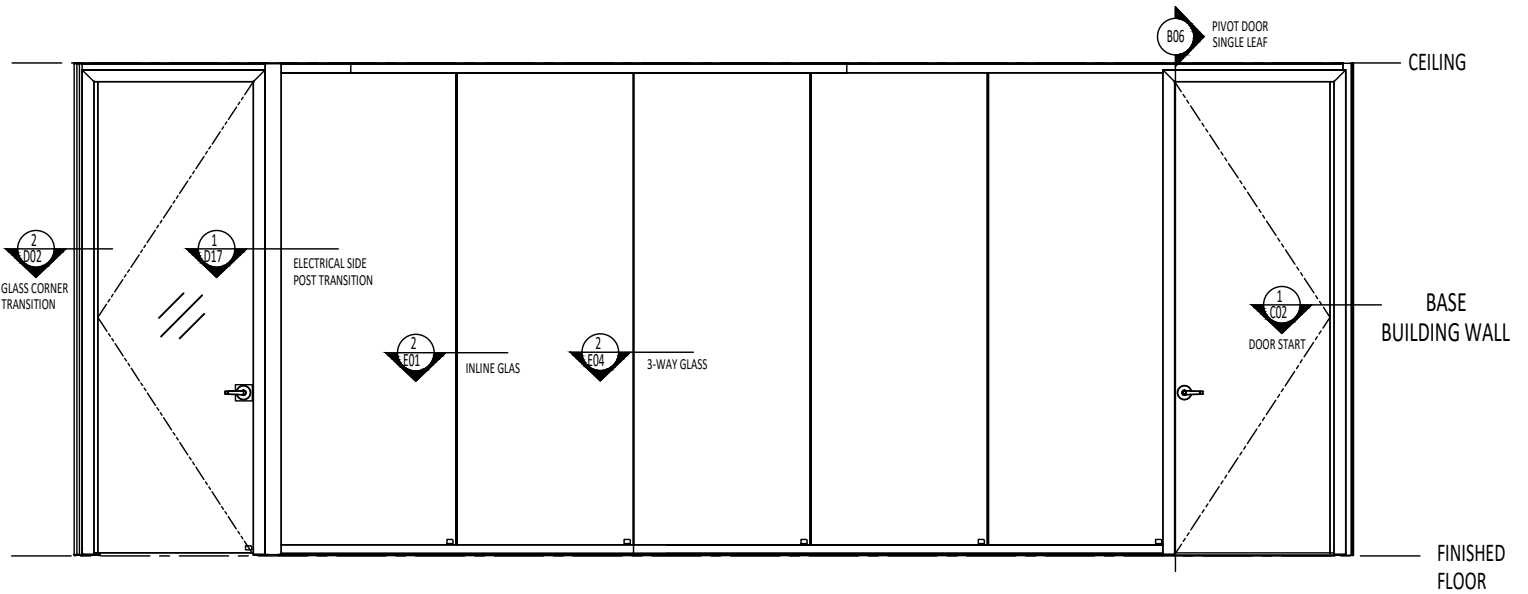
This drawing is the property of Teknion Limited and is subject to return upon demand. It must not be copied or reproduced in any manner, nor submitted to any outside parties for examination without Teknion consent. This drawing must not be scaled, or used for construction purposes.

www.teknion.com

teknion



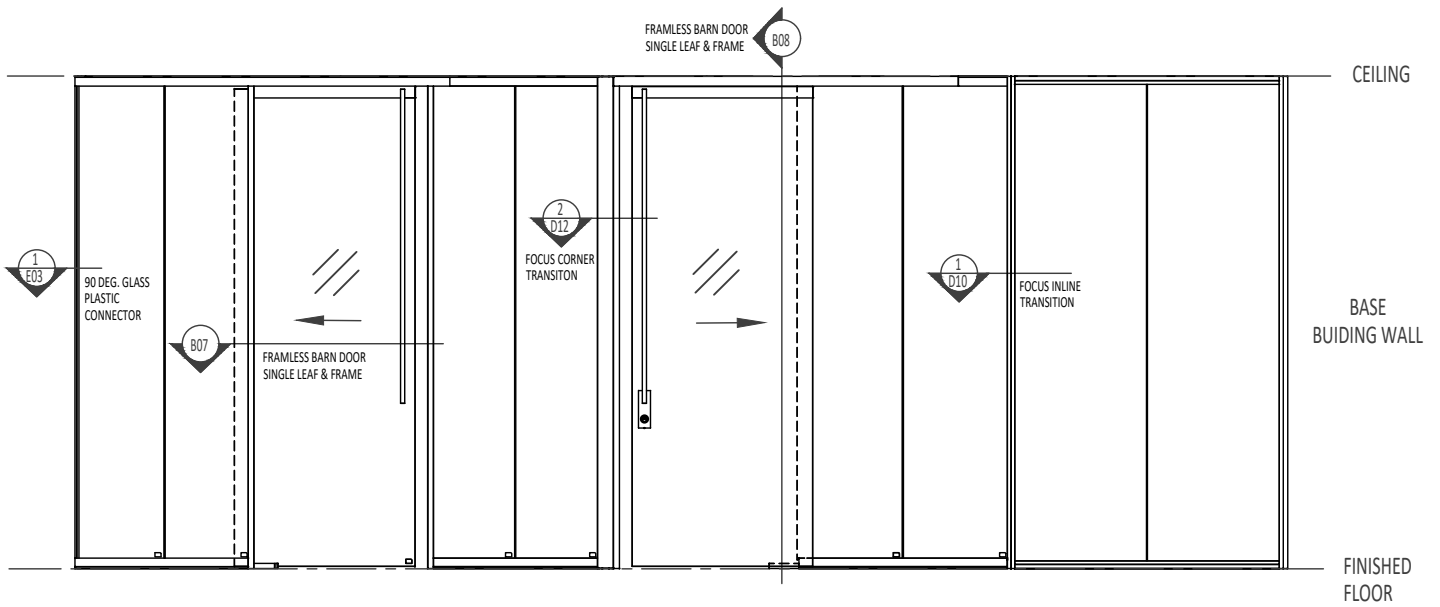
1 ELEVATION 1



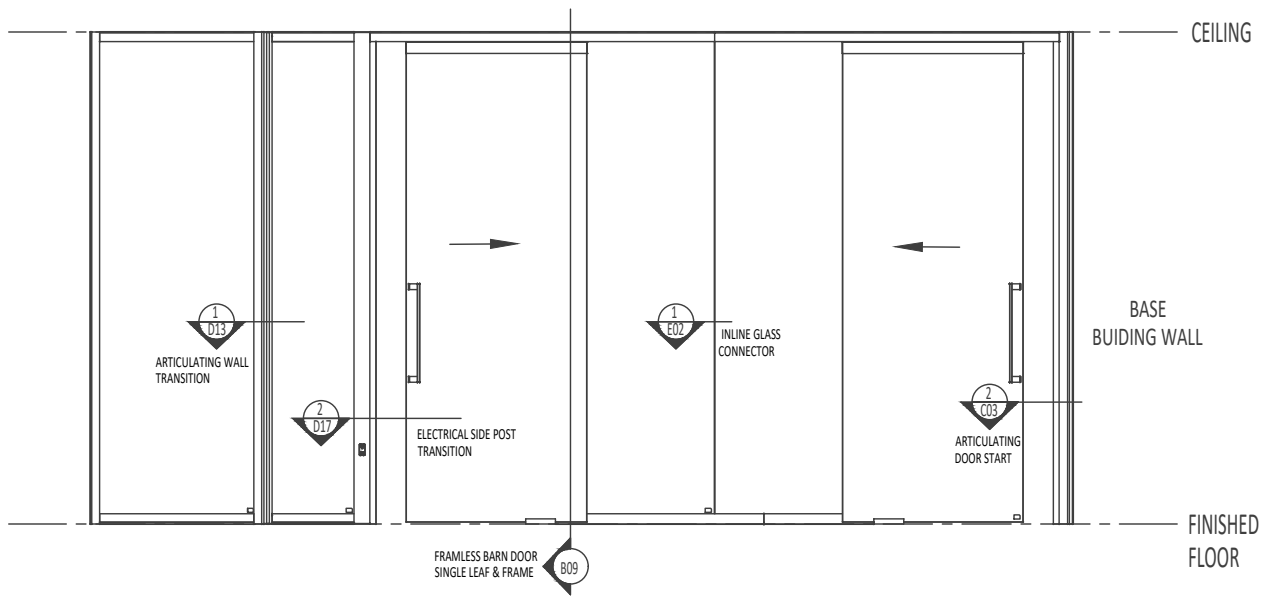
2 ELEVATION 2

ELEVATIONS

1/4"=1'-0"



1 ELEVATION 3



2 ELEVATION 4

ELEVATIONS

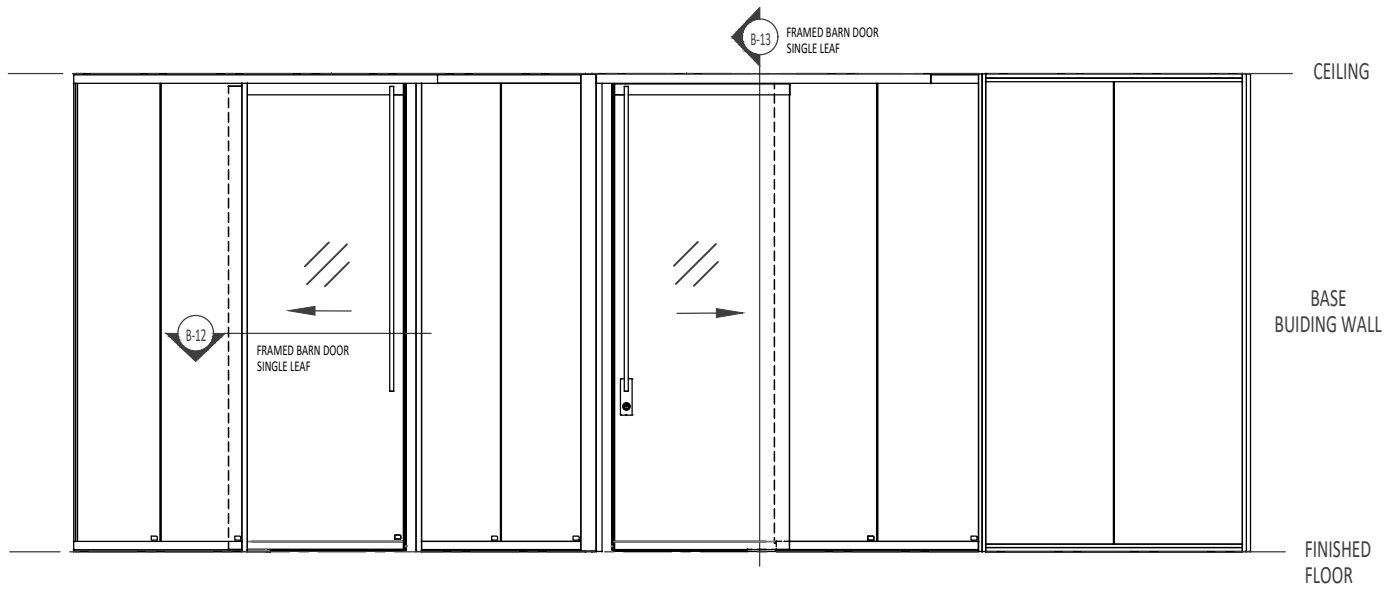
1/4"=1'-0"

TEK VUE DETAIL DRAWING PACKAGE

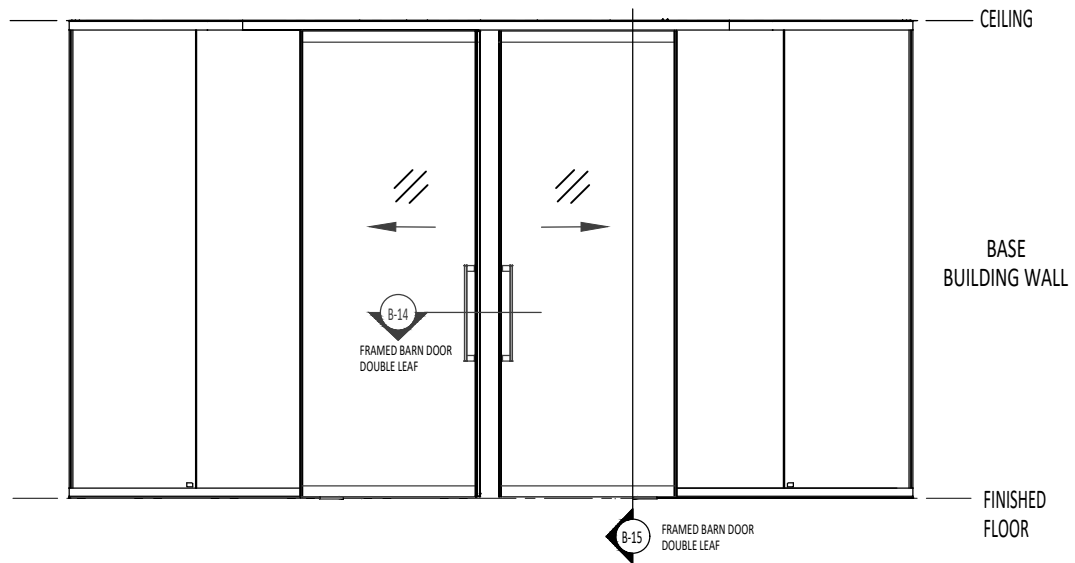
JAN 12, 2022

EL-02

This drawing is the property of Teknion Limited and is subject to return upon demand. It must not be copied or reproduced in any manner, nor submitted to any outside parties for examination without Teknion consent. This drawing must not be scaled, or used for construction purposes.



① ELEVATION 5



② ELEVATION 6

ELEVATIONS

1/4"=1'-0"

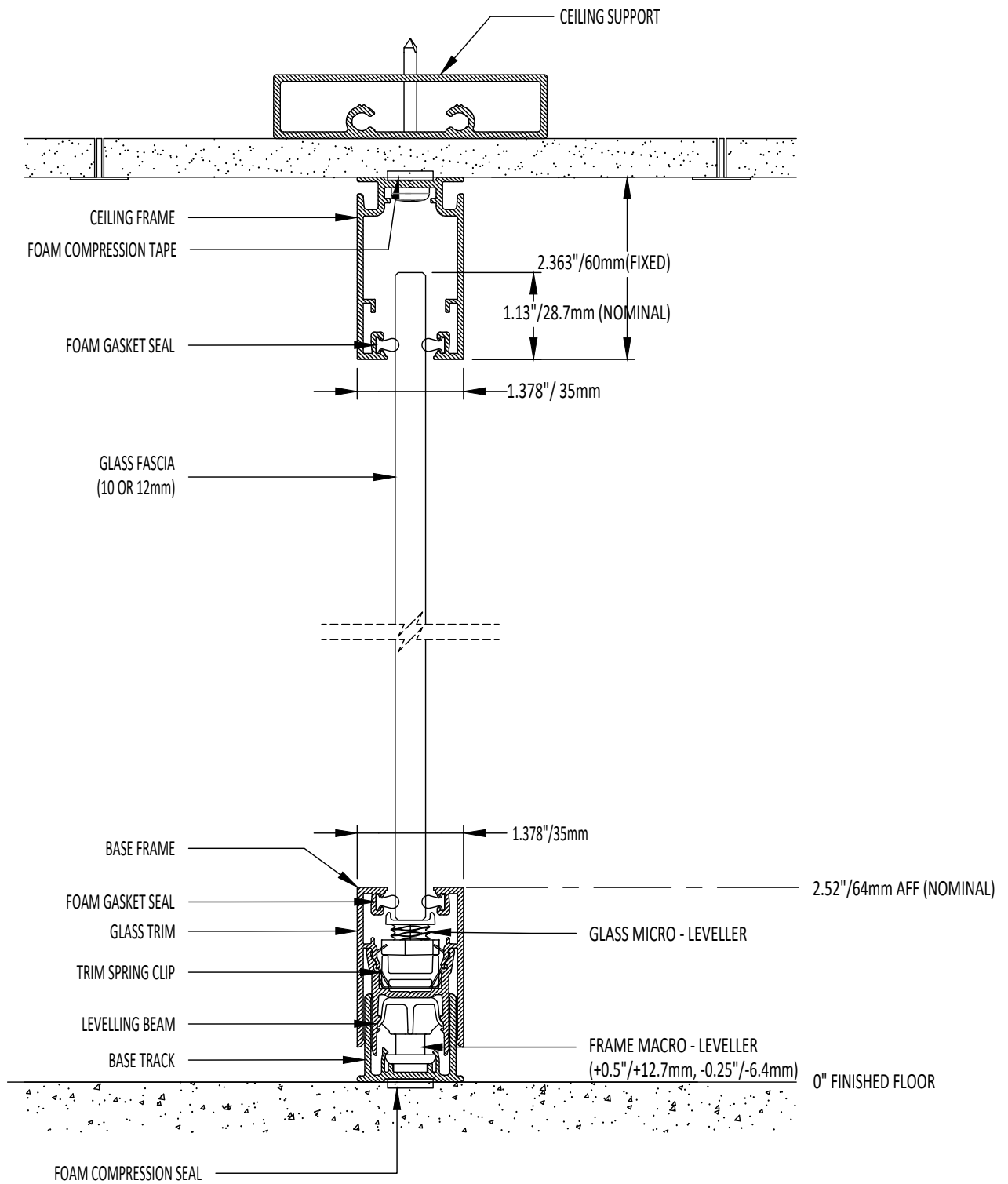
TEK VUE DETAIL DRAWING PACKAGE

JAN 12, 2022

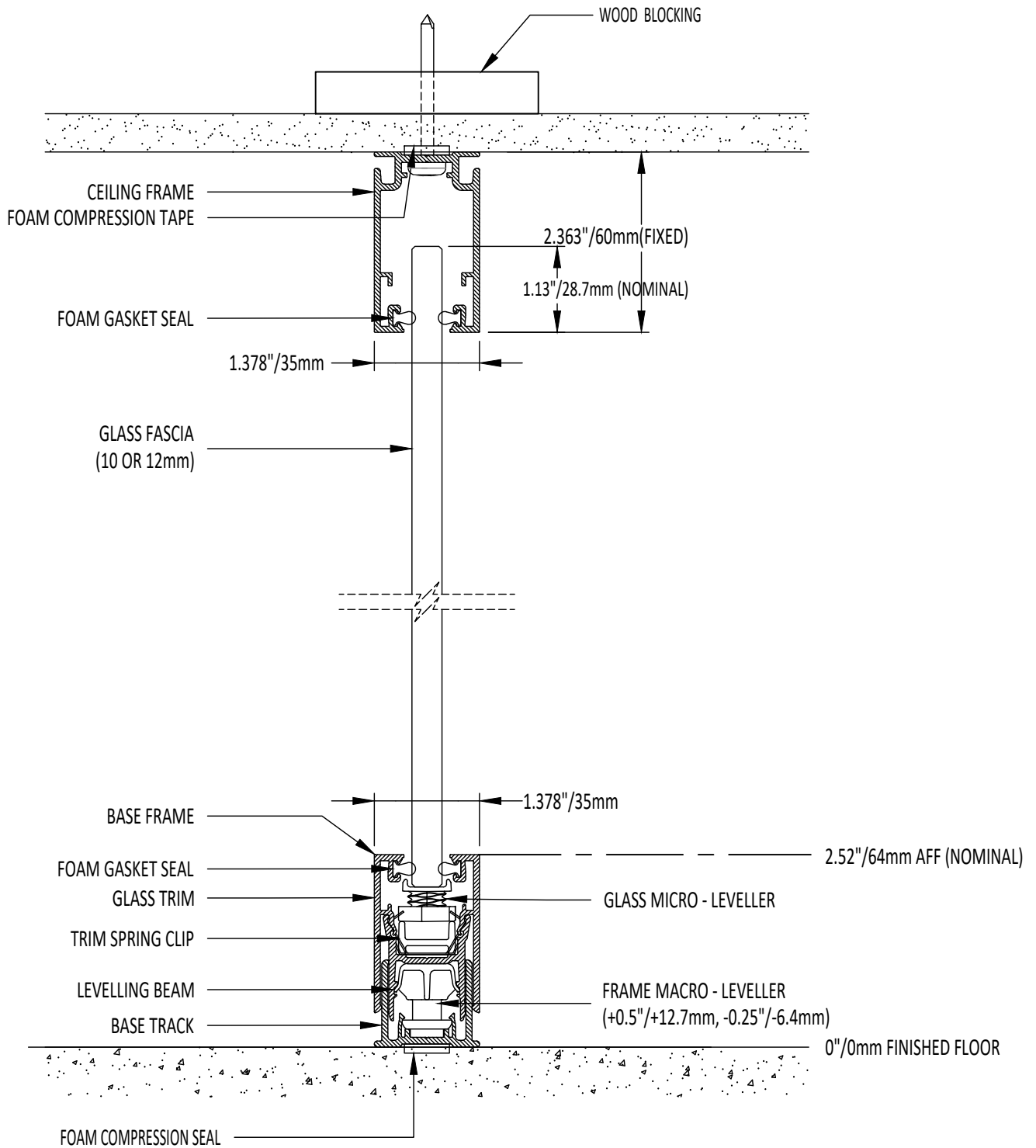
EL-03

This drawing is the property of Teknion Limited and is subject to return upon demand. It must not be copied or reproduced in any manner, nor submitted to any outside parties for examination without Teknion consent. This drawing must not be scaled, or used for construction purposes.

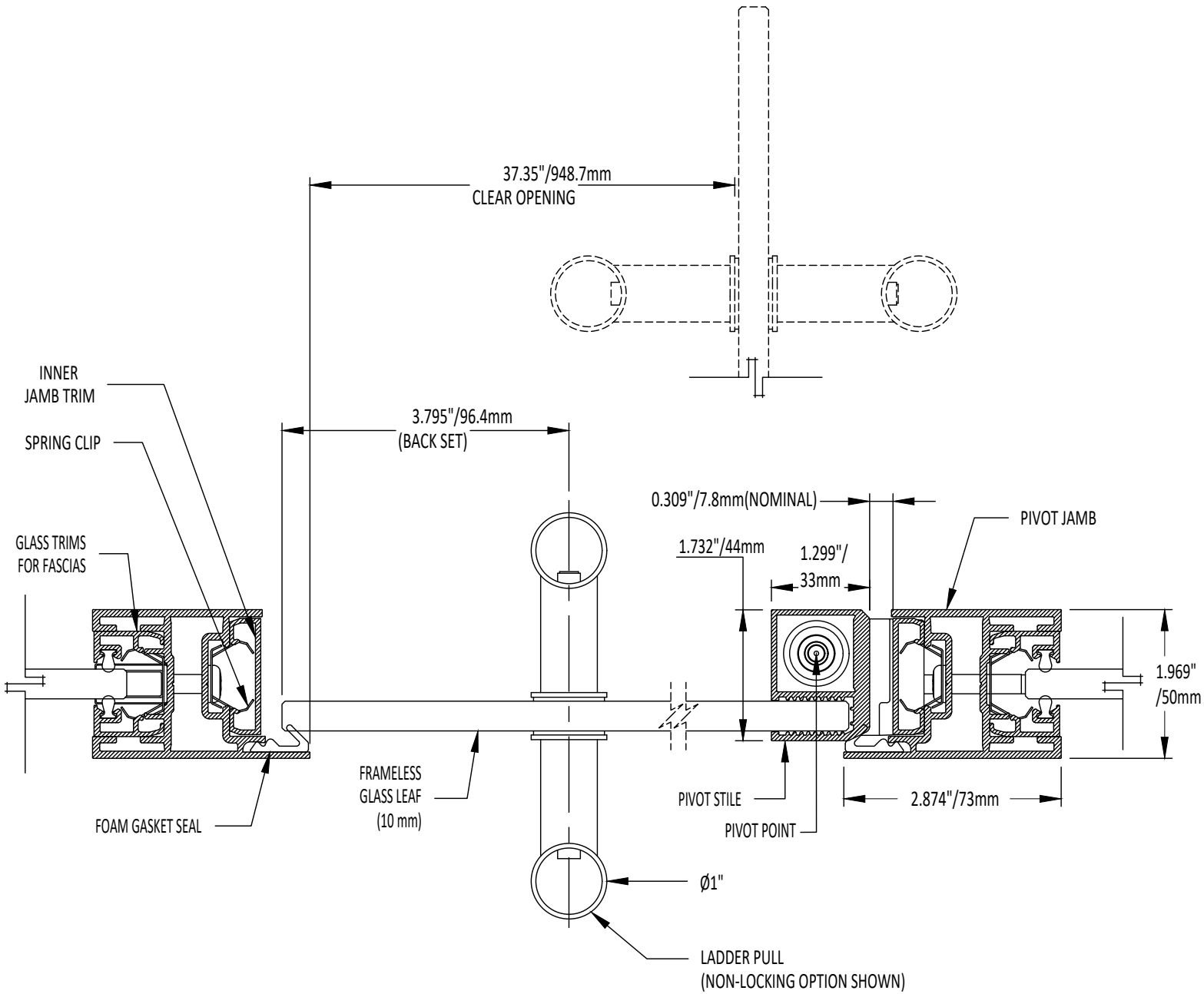




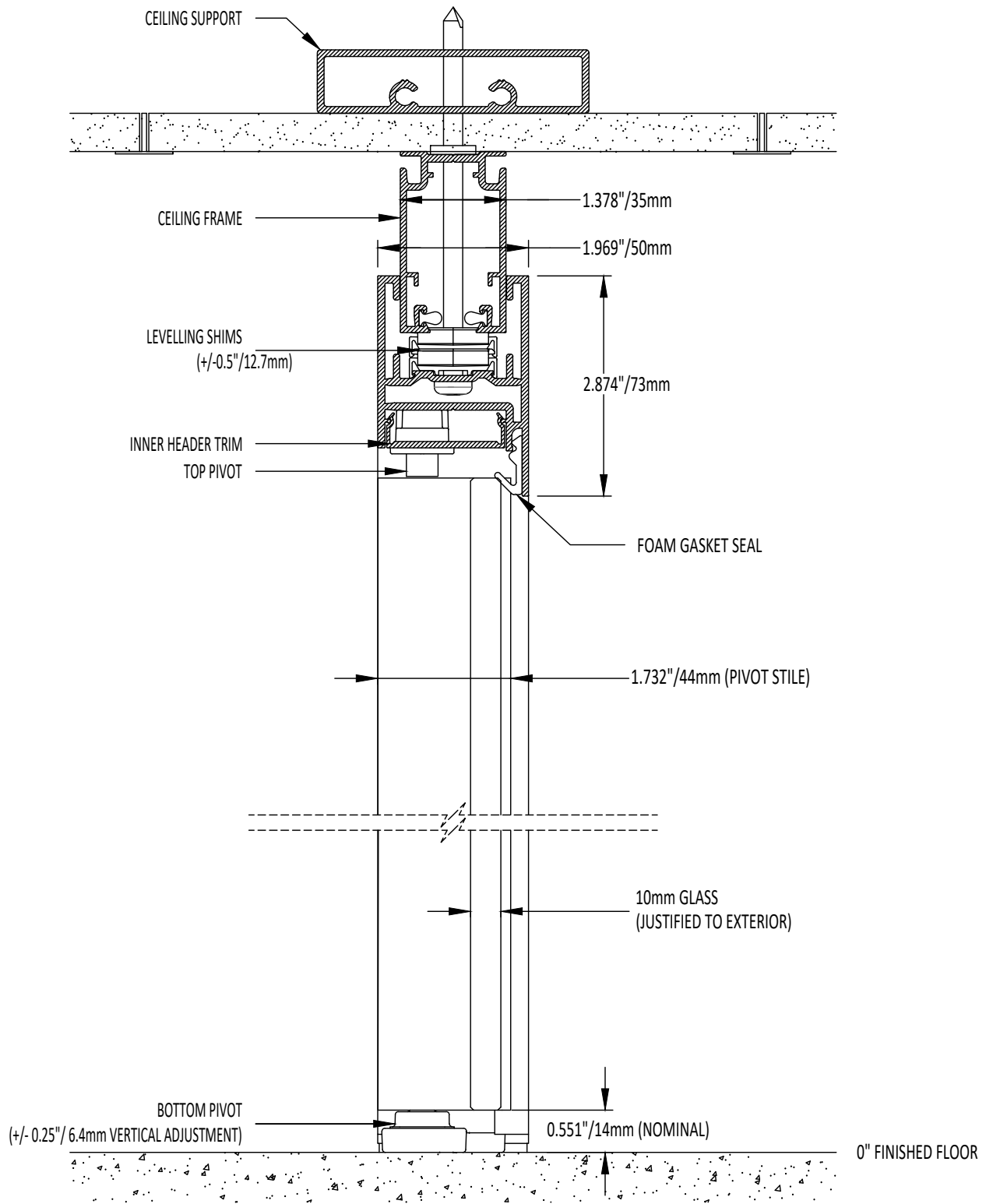
① BASE & CEILING FRAME ASSEMBLY - ACOUSTIC TILE CEILING



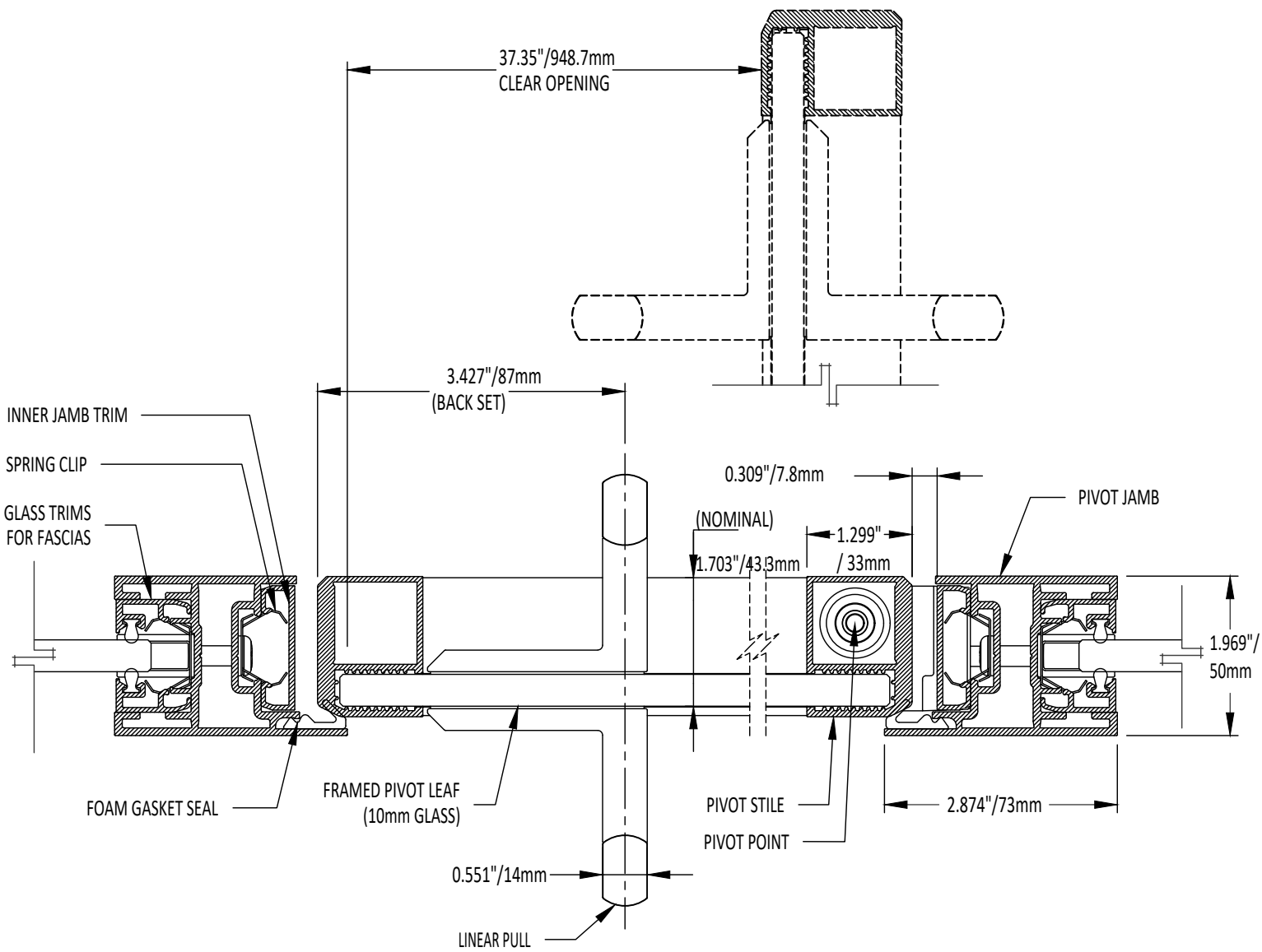
① BASE & CEILING FRAME ASSEMBLY - DRYWALL CEILING



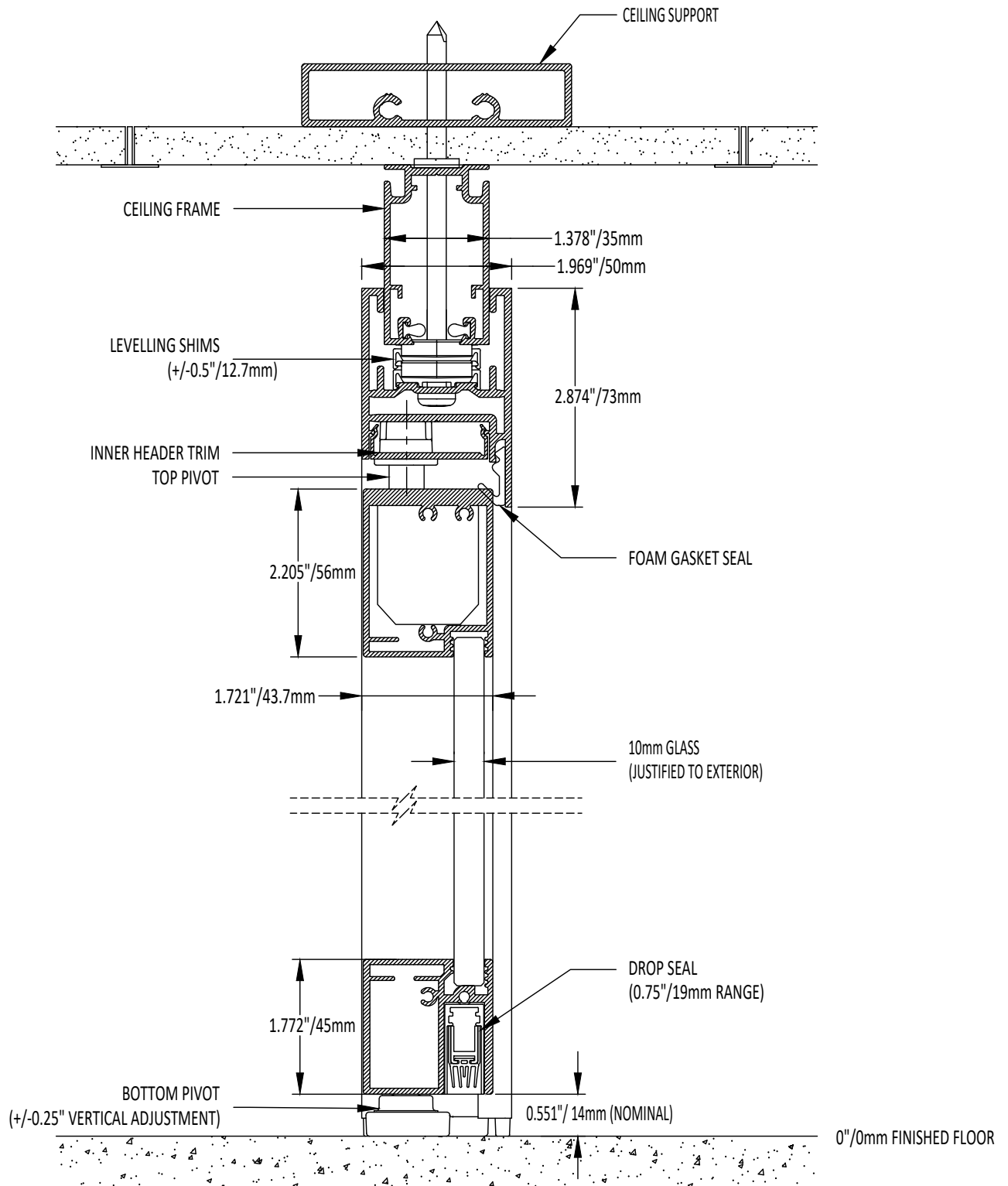
① UNIVERSAL PIVOT DOOR FRAME & FRAMELESS PIVOT SINGLE LEAF - GLASS TO GLASS



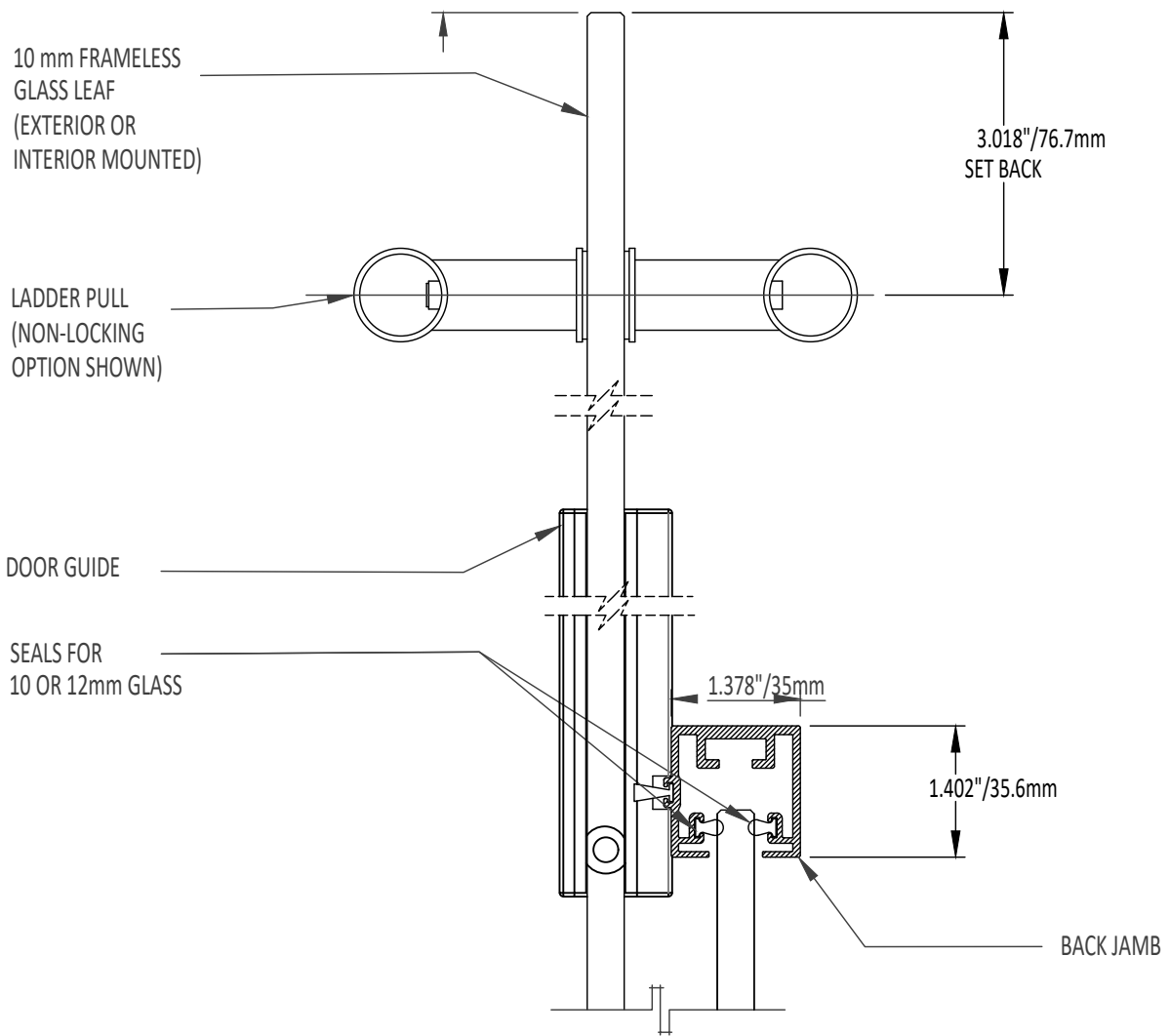
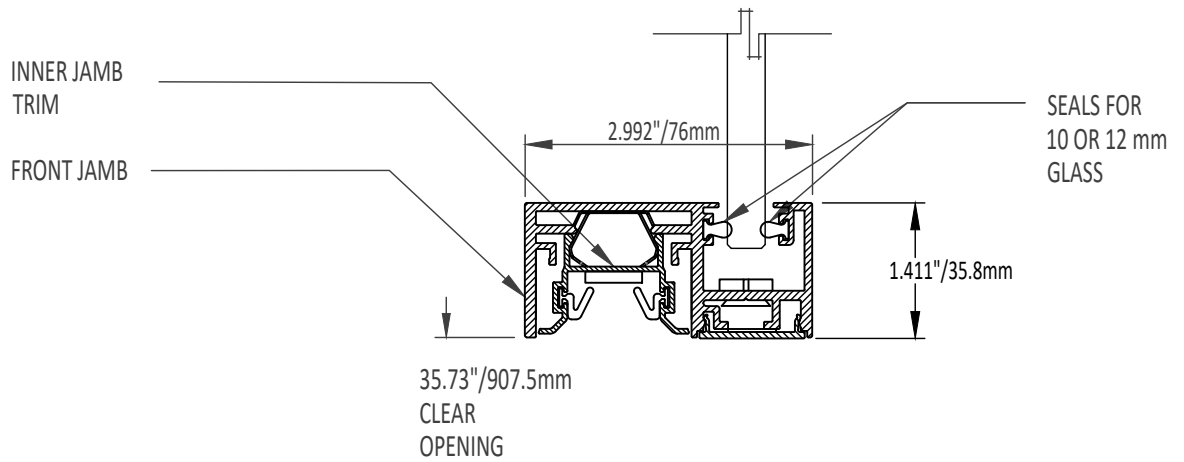
① UNIVERSAL PIVOT DOOR FRAME & FRAMELESS PIVOT SINGLE LEAF - ACOUSTIC TILE CEILING



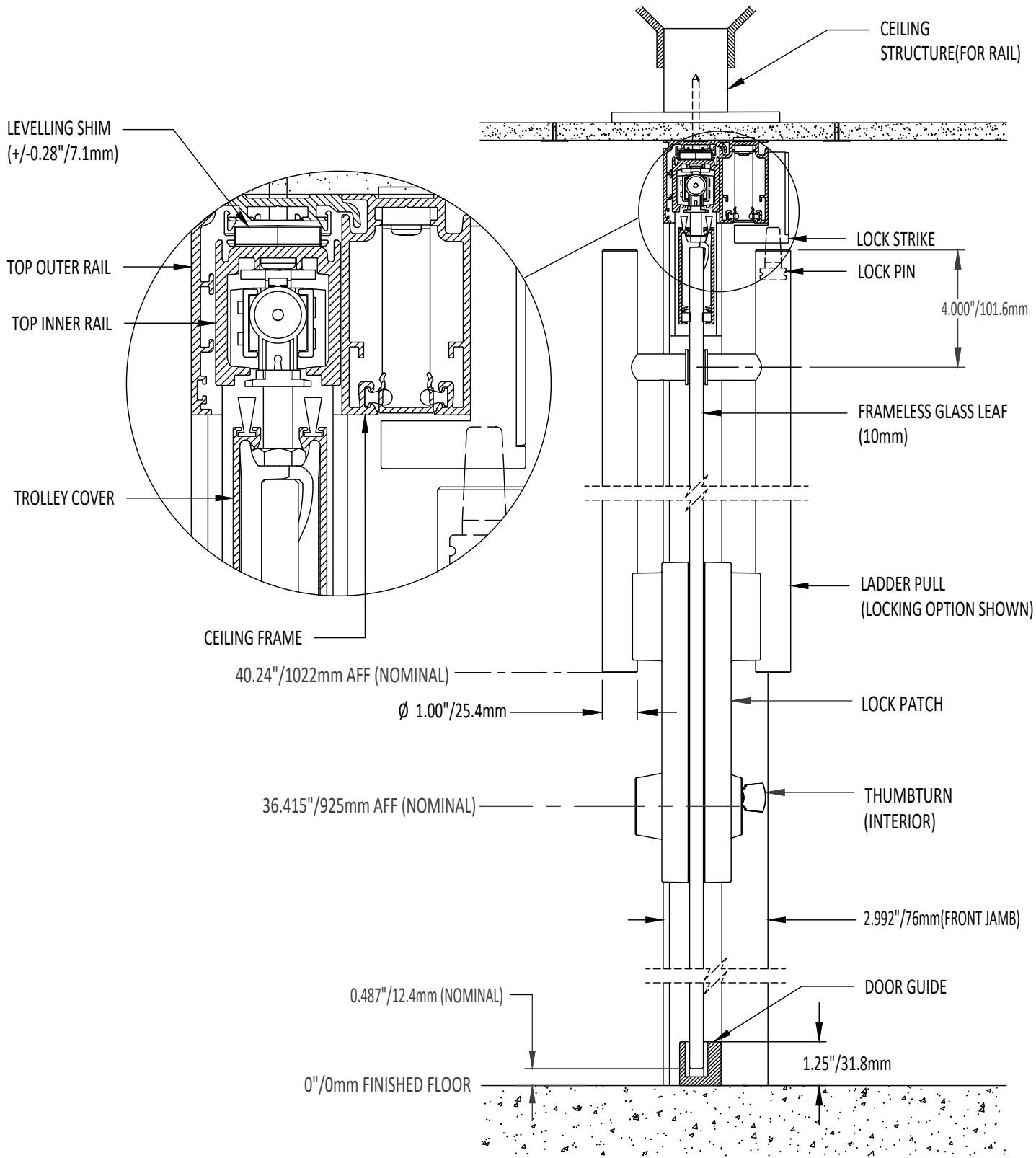
① UNIVERSAL PIVOT DOOR FRAME & FRAMED PIVOT SINGLE LEAF - GLASS TO GLASS



① UNIVERSAL PIVOT DOOR FRAME & FRAMED PIVOT SINGLE LEAF - ACOUSTIC TILE CEILING

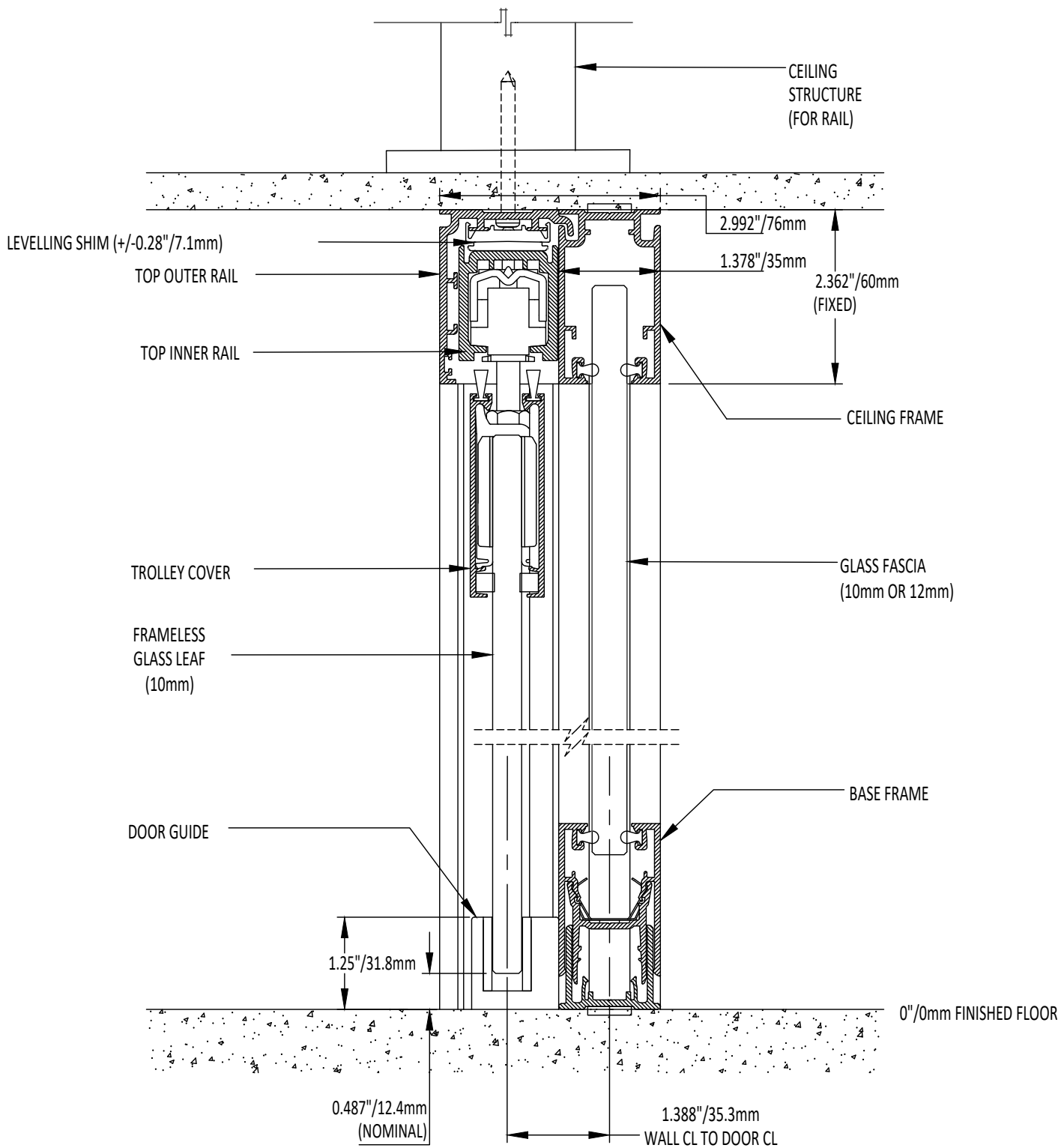


① UNIVERSAL BARN DOOR FRAME & FRAMELESS BARN SINGLE LEAF-GLASS TO GLASS - HORIZONTAL SECTION

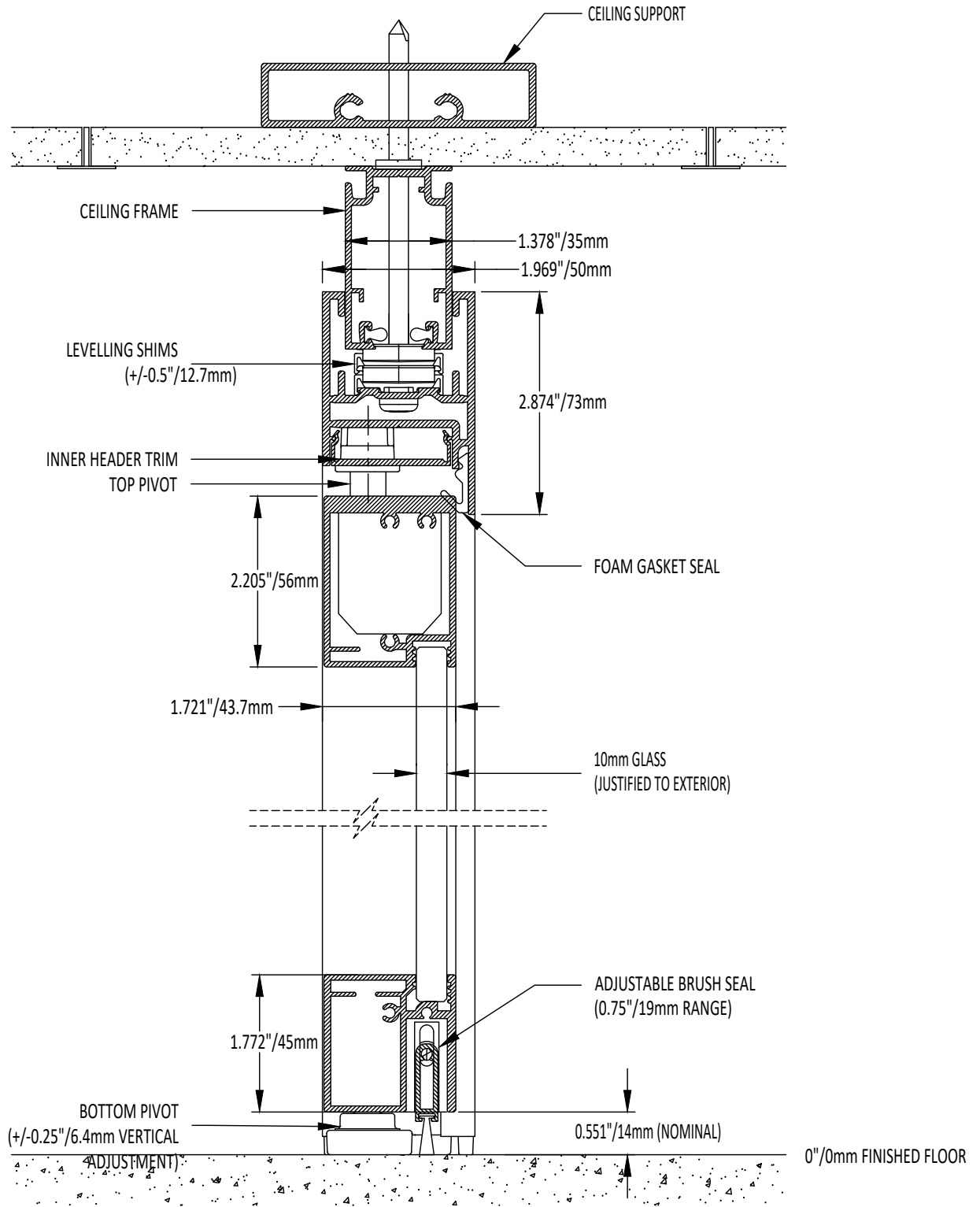


① UNIVERSAL BARN DOOR FRAME & FRAMELESS BARN SINGLE LEAF-ACOUSTIC TILE CEILING - VERTICAL SECTION

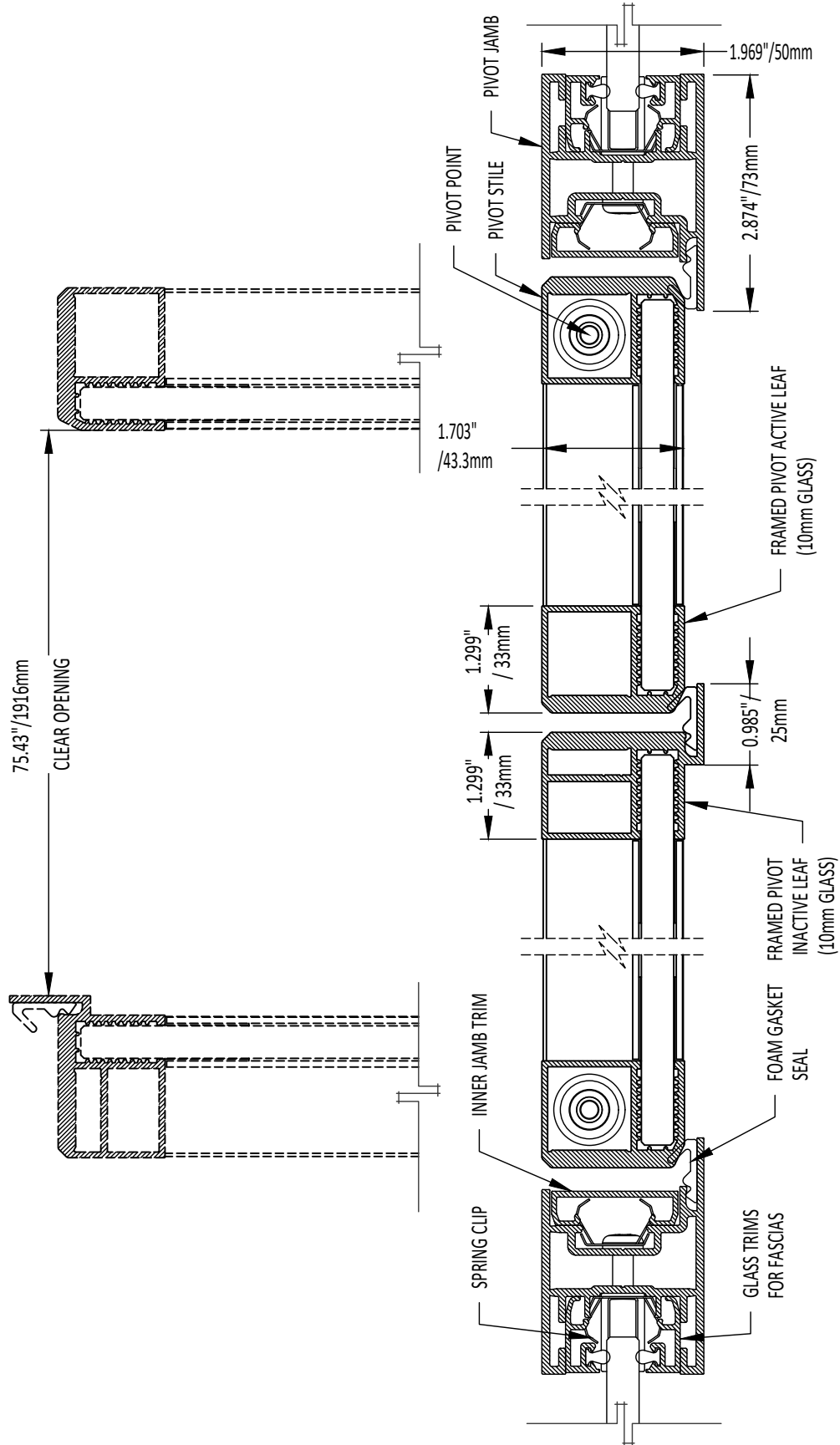




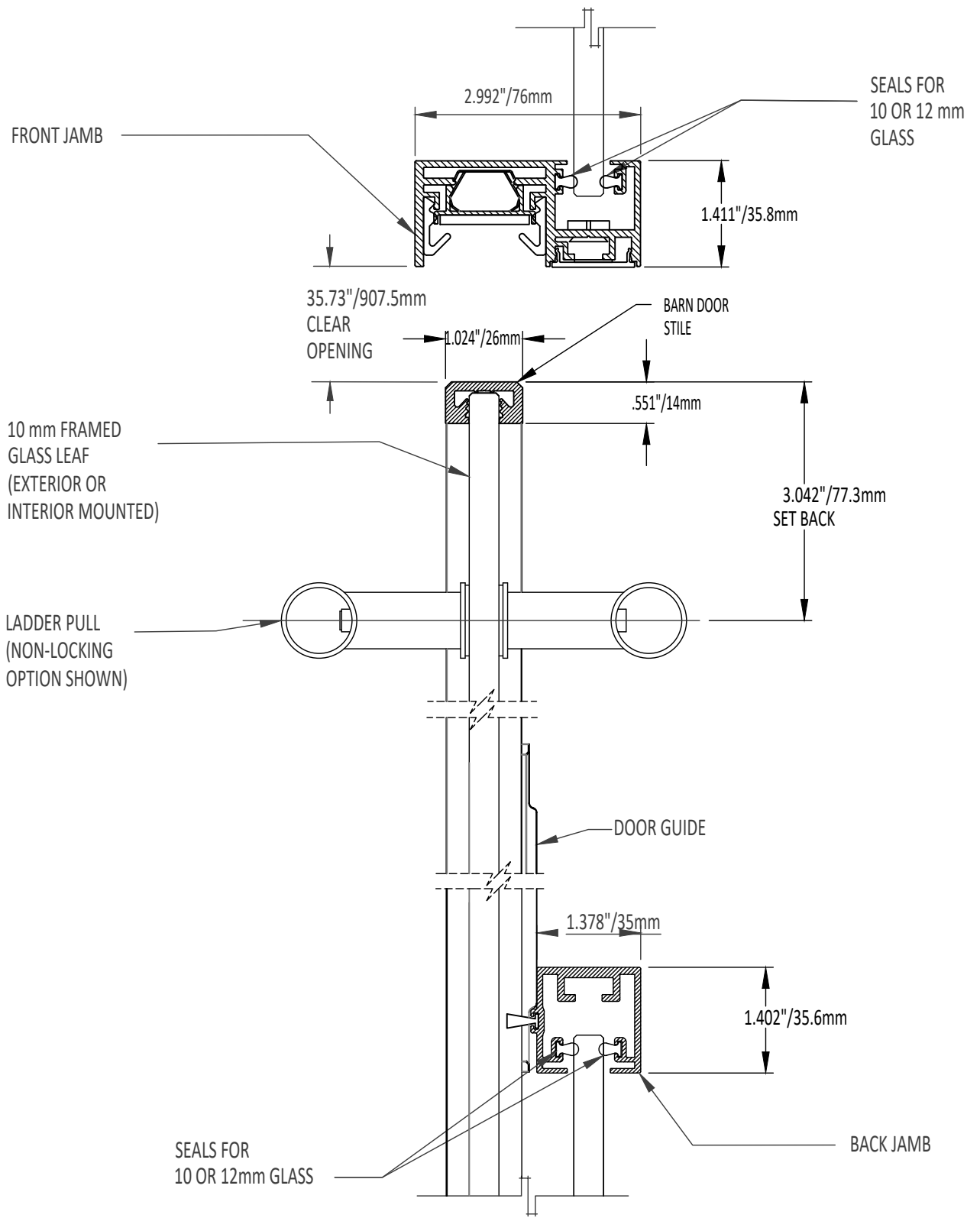
① UNIVERSAL BARN DOOR FRAME & FRAMELESS BARN SINGLE LEAF - DRYWALL CEILING



① UNIVERSAL PIVOT DOOR FRAME & FRAMED PIVOT DOUBLE LEAF - ACOUSTIC TILE CEILING



① UNIVERSAL PIVOT DOOR FRAME & FRAMED PIVOT DOUBLE LEAF - HORIZONTAL SECTION



① UNIVERSAL BARN DOOR FRAME & FRAMED BARN SINGLE LEAF-GLASS TO GLASS - HORIZONTAL SECTION

LEVELLING SHIM  
(+/-0.28"/7.1mm)

TOP OUTER RAIL

TOP INNER RAIL

TROLLEY COVER

CEILING FRAME

40.24"/1022mm AFF (NOMINAL)

36.415"/925mm AFF (NOMINAL)

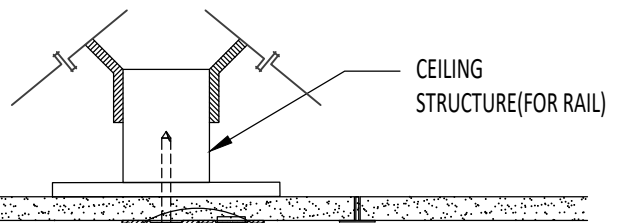
1"/25.4mm  
(BARN DOOR STILE)

0.487"/12.4mm (NOMINAL)

0"/0mm FINISHED FLOOR

DOOR GUIDE

2.020"/51.3mm  
(BARN DOOR  
BOTTOM STILE)



CEILING  
STRUCTURE (FOR RAIL)

LOCK STRIKE

LOCK PIN

FRAMED GLASS LEAF  
(10mm)

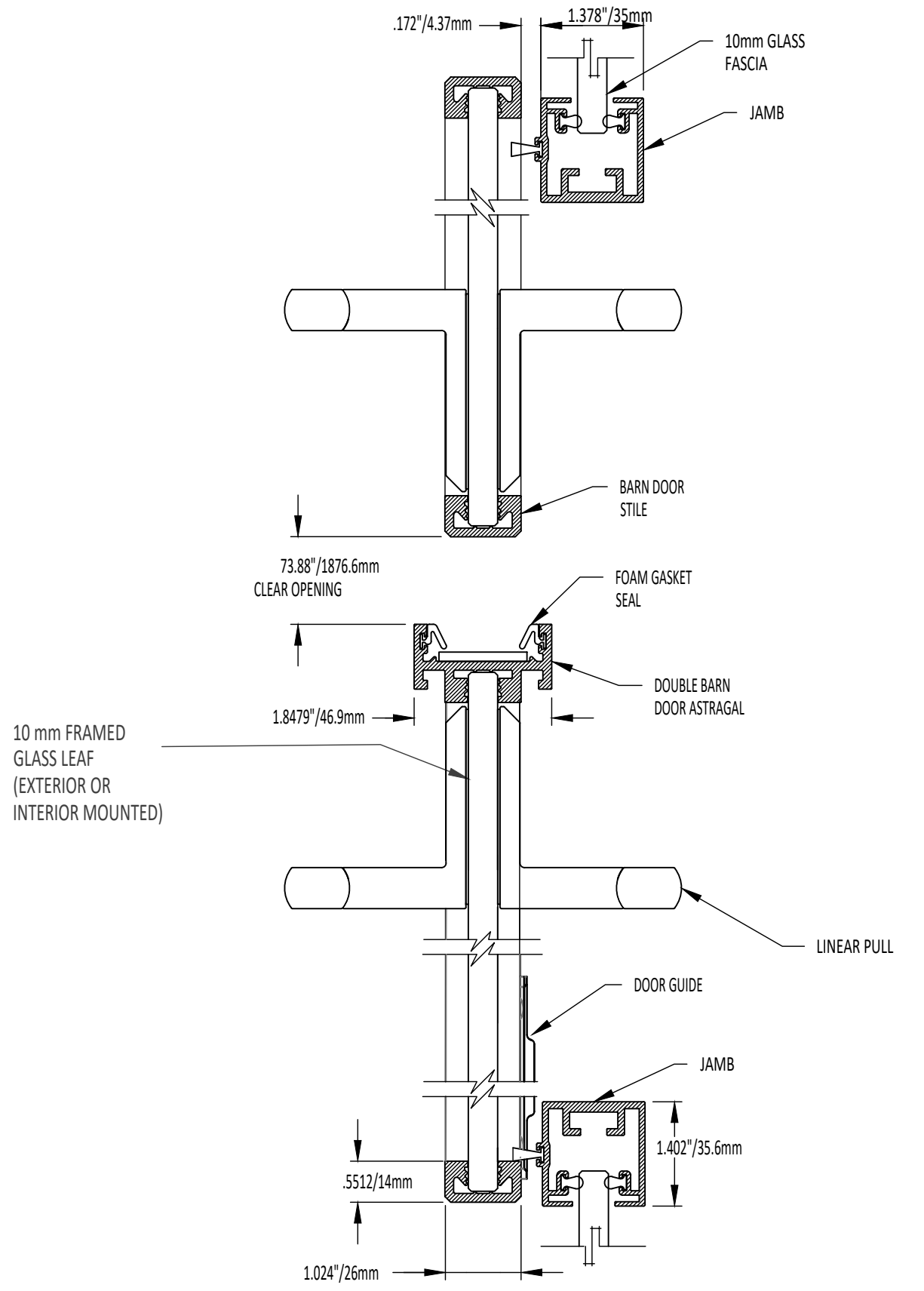
LADDER PULL  
(LOCKING OPTION SHOWN)

LOCK PATCH

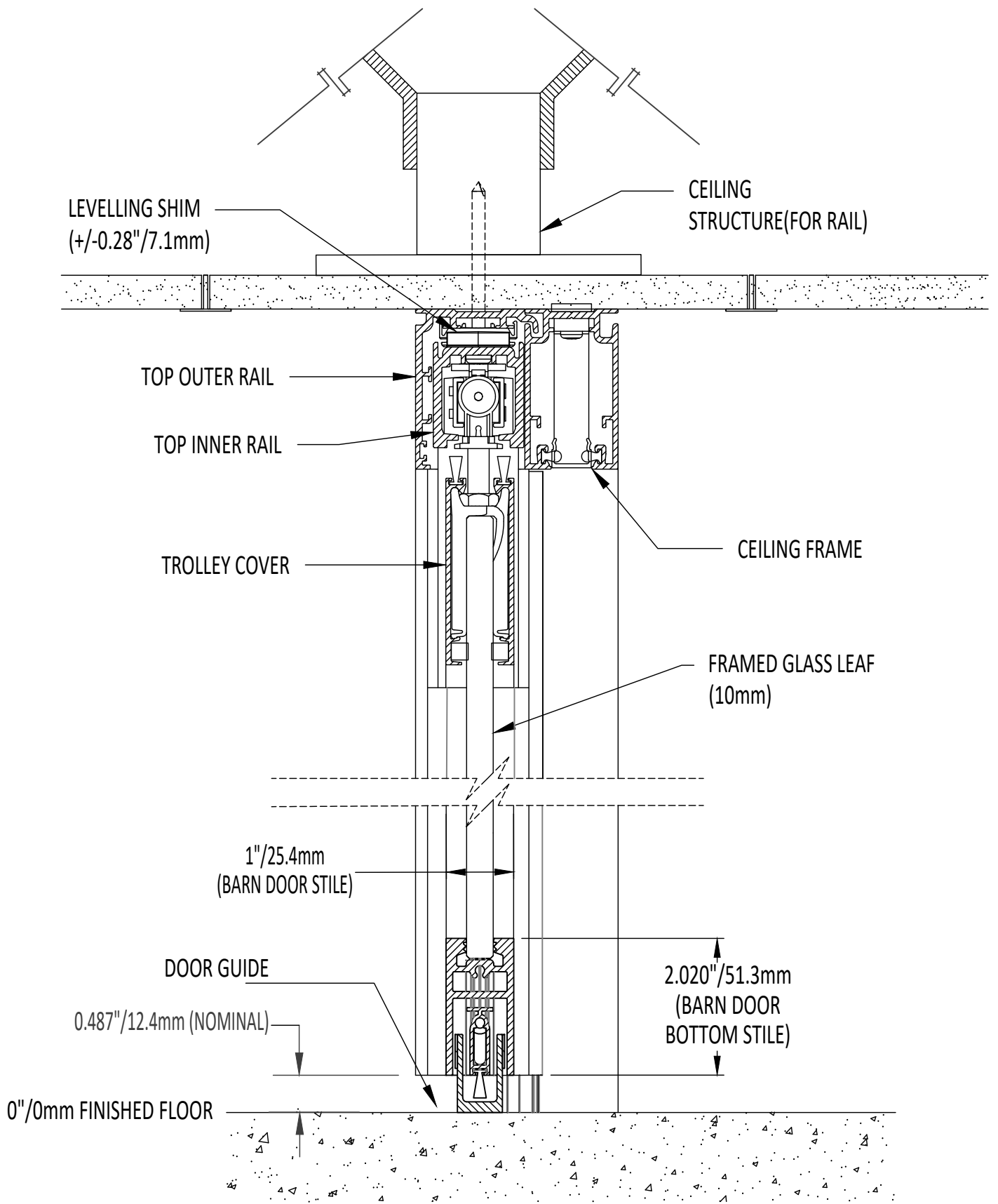
THUMBTURN  
(INTERIOR)

2.992" (FRONT JAMB)

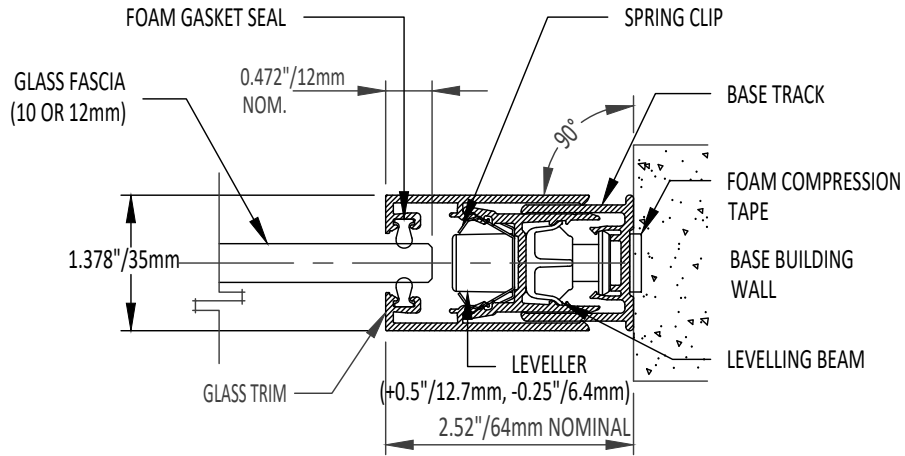
① UNIVERSAL BARN DOOR FRAME & FRAMED BARN SINGLE LEAF-ACOUSTIC TILE CEILING - VERTICAL SECTION



① UNIVERSAL BARN DOOR FRAME & FRAMED BARN DOUBLE LEAF-GLASS TO GLASS - HORIZONTAL SECTION

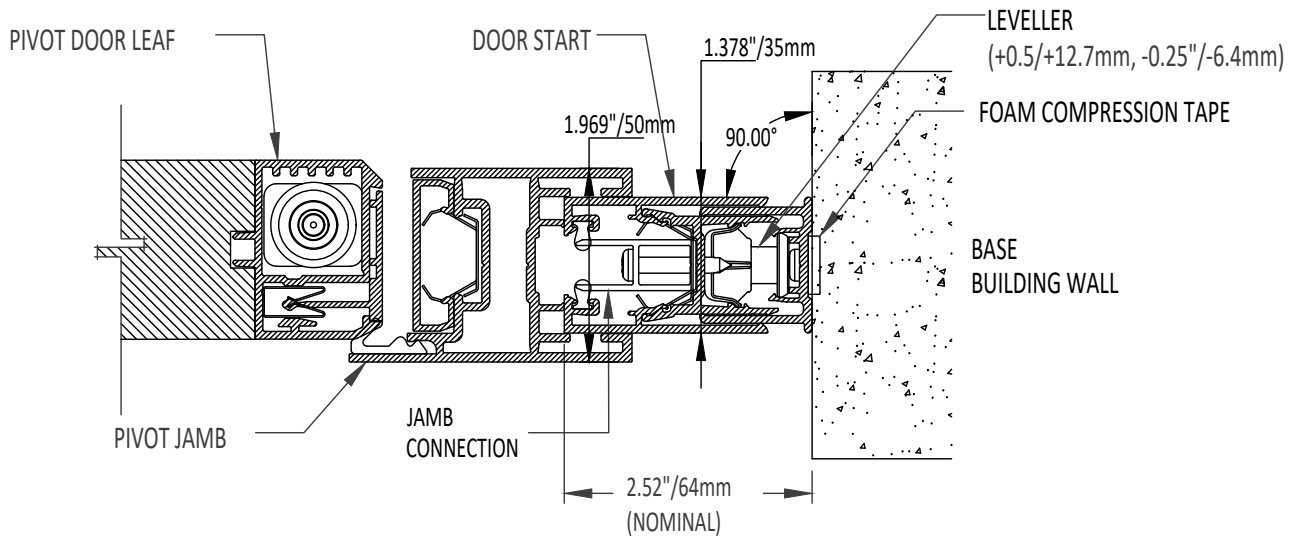


① UNIVERSAL BARN DOOR FRAME & FRAMED BARN DOUBLE LEAF- DRYWALL CEILING - VERTICAL SECTION

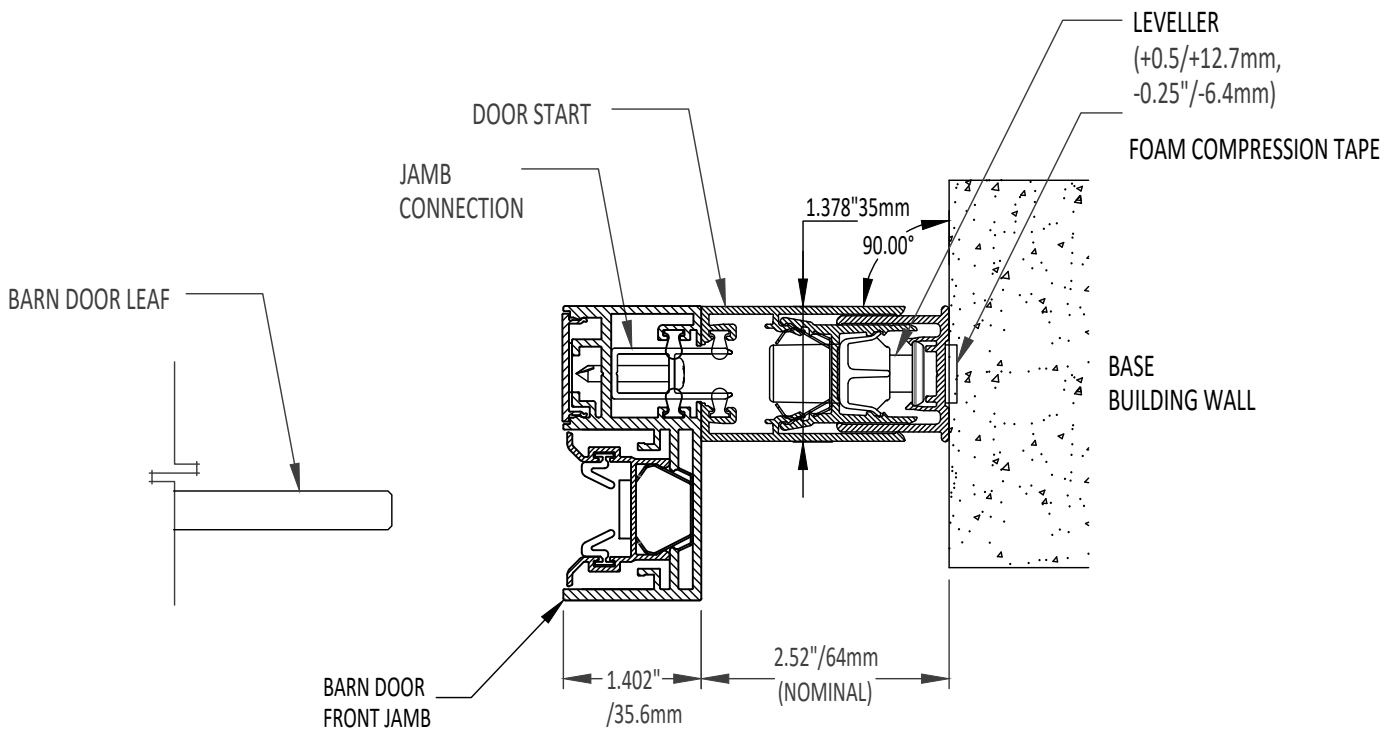


① WALL START - BASE BUILDING



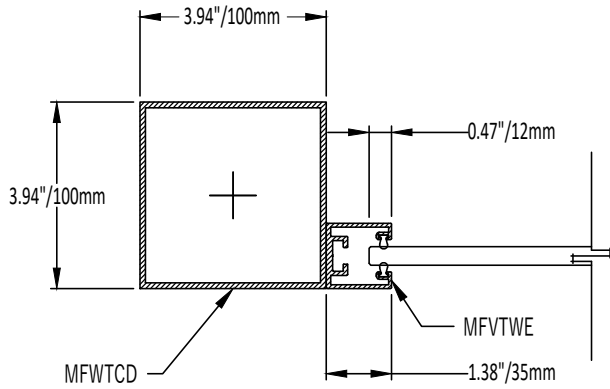


① DOOR START - BASE BUILDING TO PIVOT DOOR

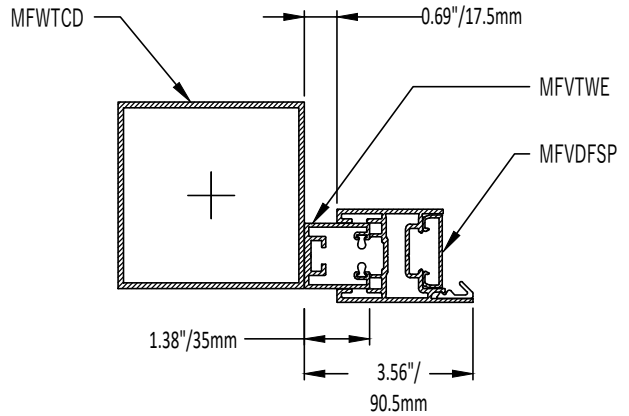


② DOOR START - BASE BUILDING TO BARN DOOR

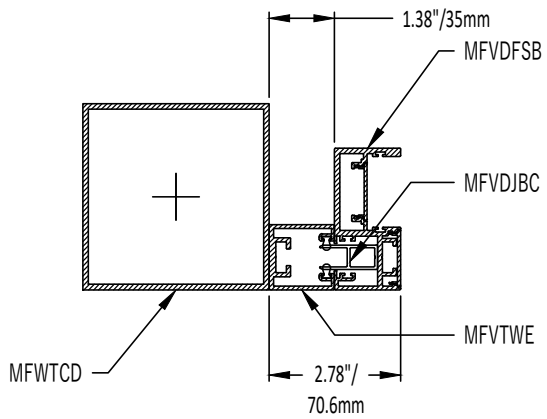
WALL END WITH CORNER POST OFFSET CONFIGURATIONS



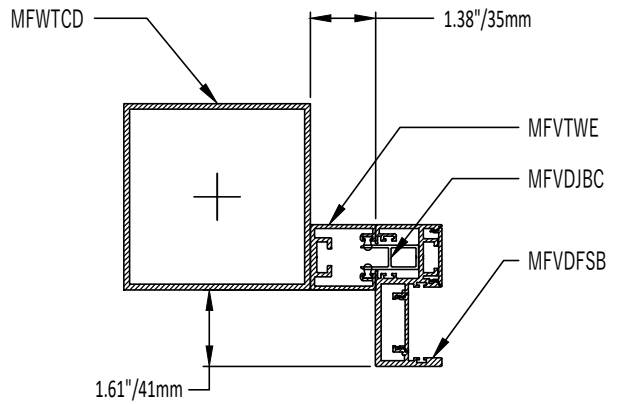
1 WALL END WITH GLASS



2 WALL END WITH PIVOT DOOR

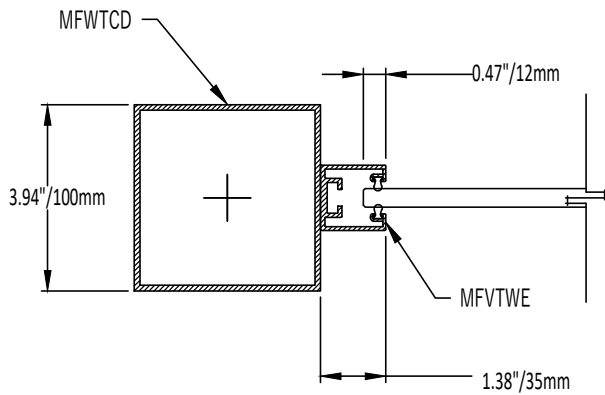


3 WALL END WITH SLIDING DOOR INSIDE

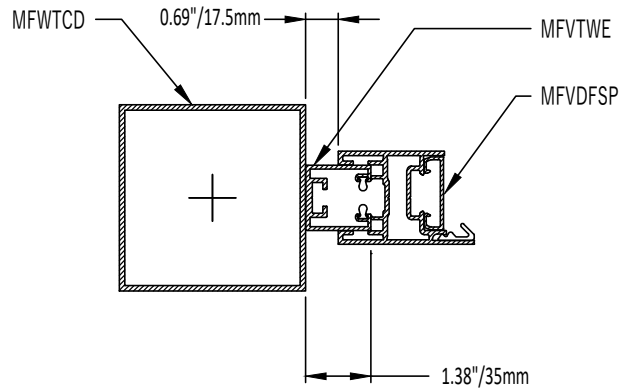


4 WALL END WITH SLIDING DOOR OUTSIDE

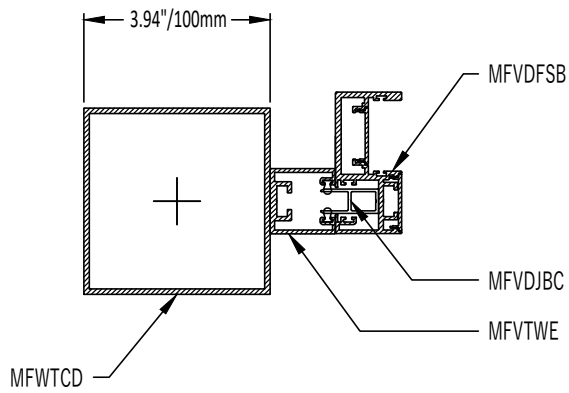
WALL END WITH CORNER POST CENTER CONFIGURATIONS



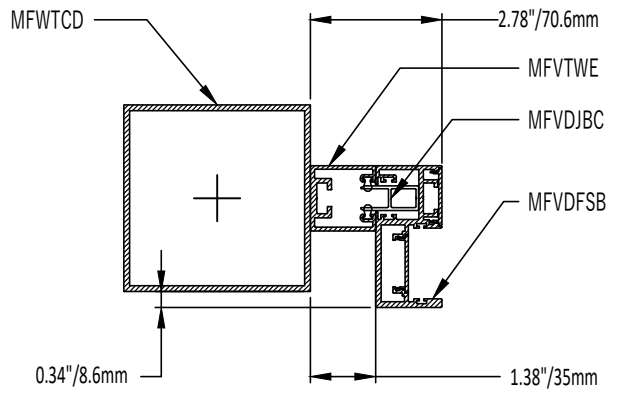
① WALL END WITH GLASS



② WALL END WITH PIVOT DOOR

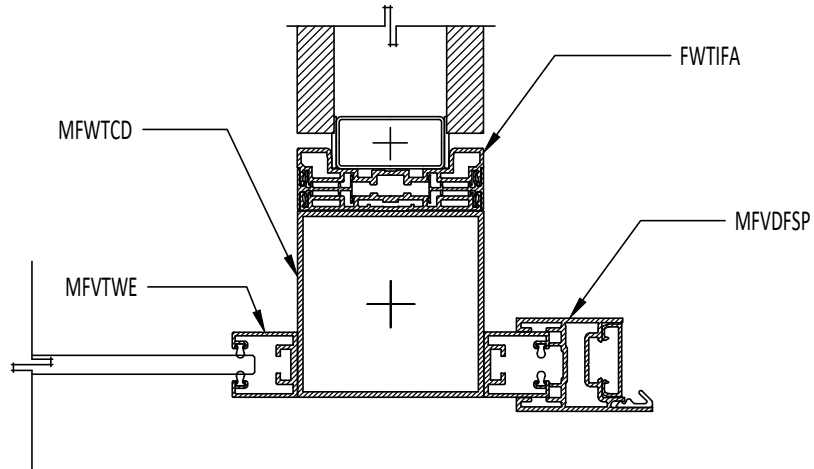


③ WALL END WITH SLIDING DOOR INSIDE



④ WALL END WITH SLIDING DOOR OUTSIDE

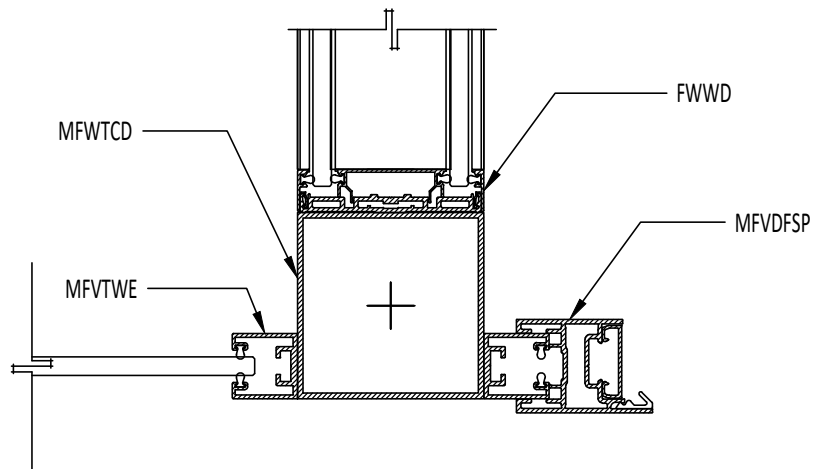
CORNER POST TRANSITION WITH ALTOS



1 WALL END WITH GLASS

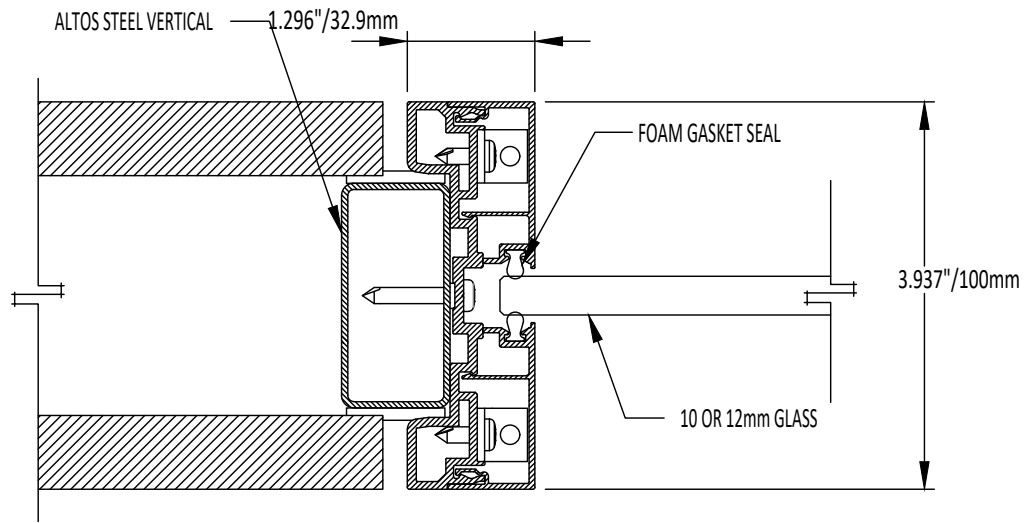
2 WALL END WITH PIVOT DOOR

CORNER POST TRANSITION WITH FOCUS DOUBLE GLAZE

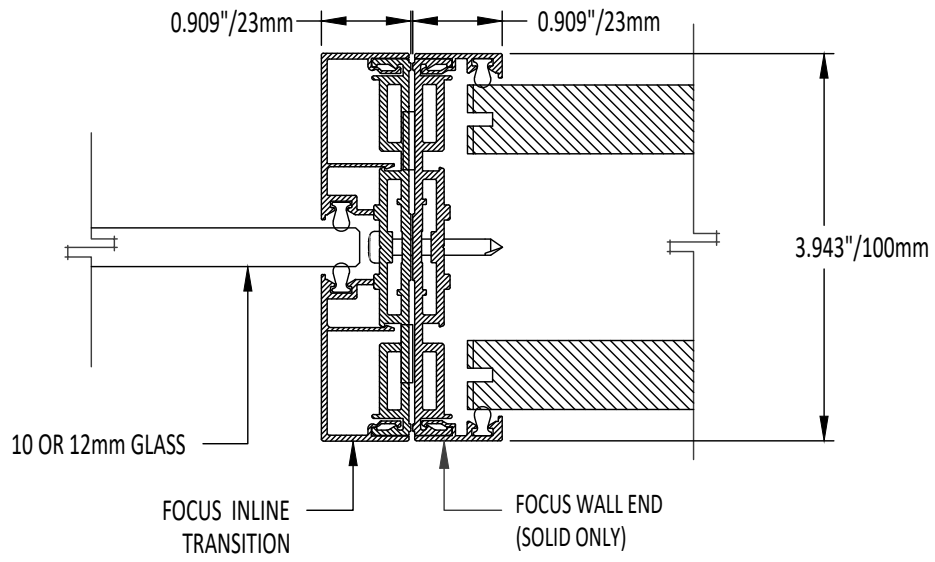


3 WALL END WITH GLASS

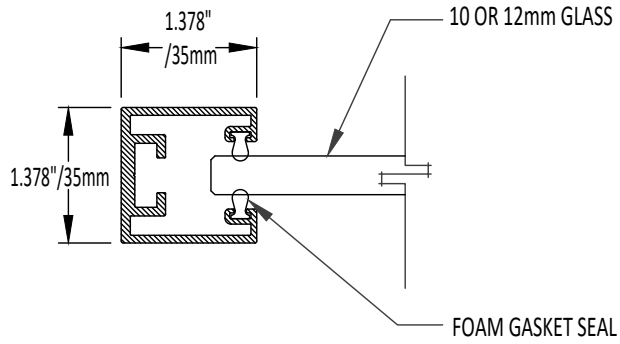
4 WALL END WITH PIVOT DOOR



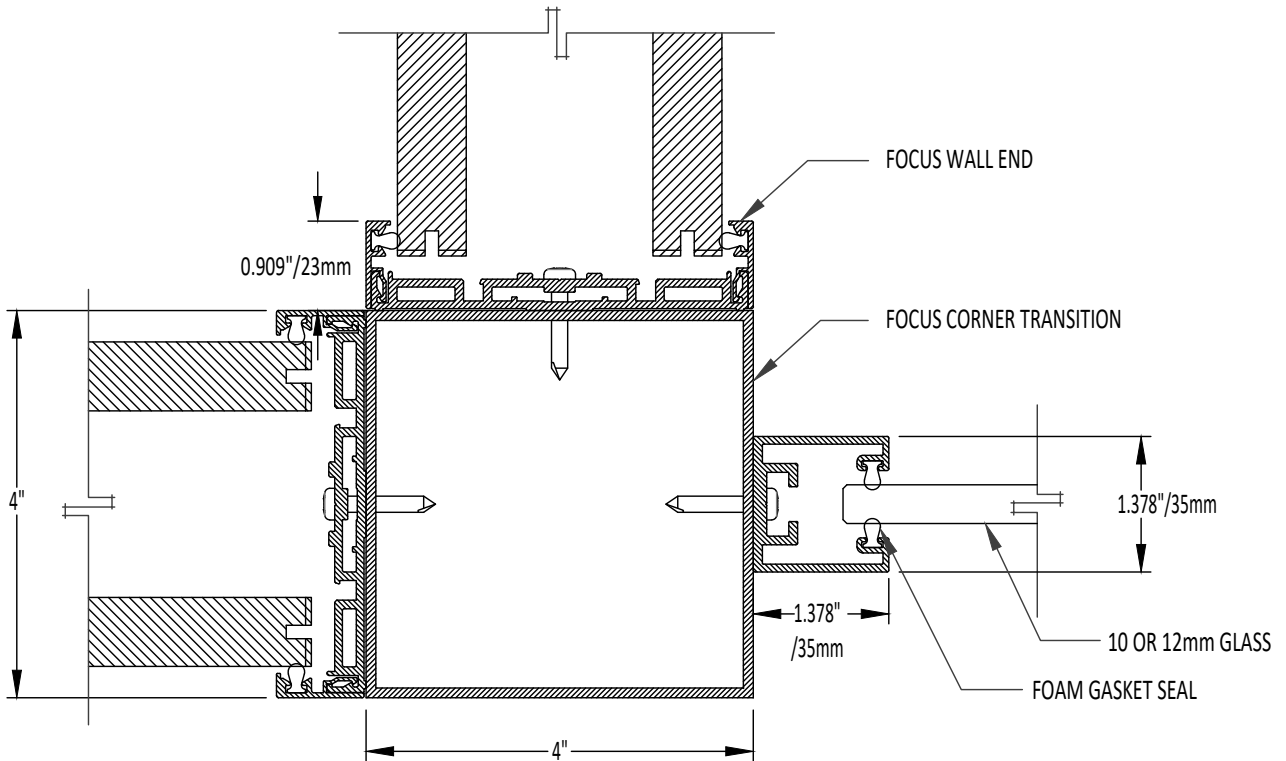
① ALTOS INLINE TRANSITION



① FOCUS INLINE TRANSITION



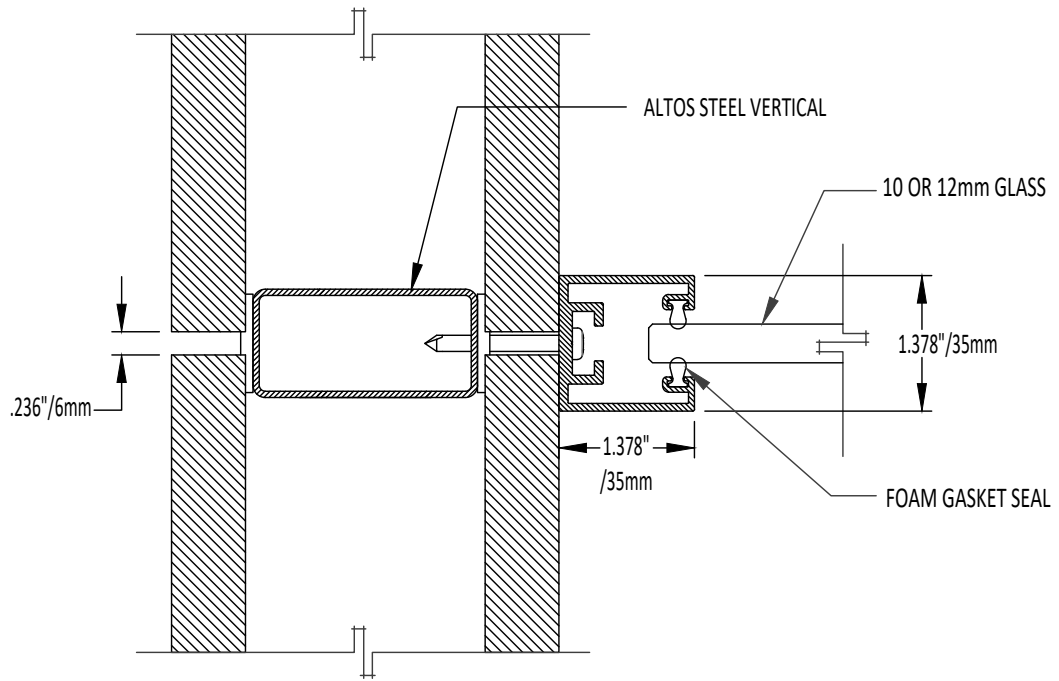
① WALL END TRANSITION - FINISHED END



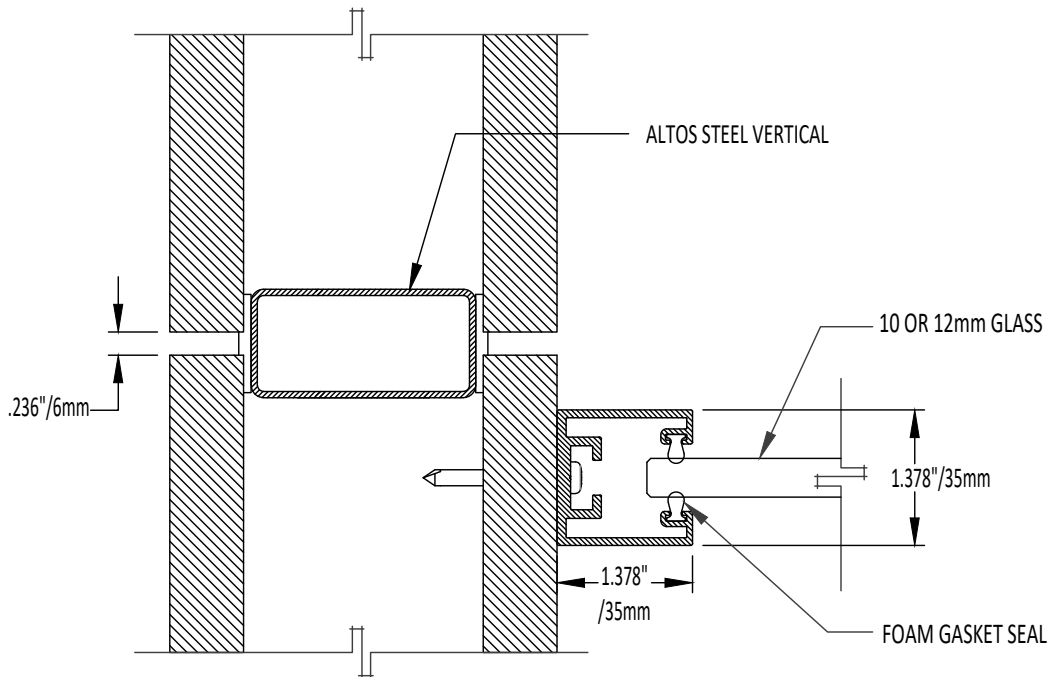
② WALL END TRANSITION - FASTENED TO FOCUS

WALL TRANSITIONS

6"=1'-0"



① WALL END TRANSITION - FASTENED TO ALTOS (ON MODULE)

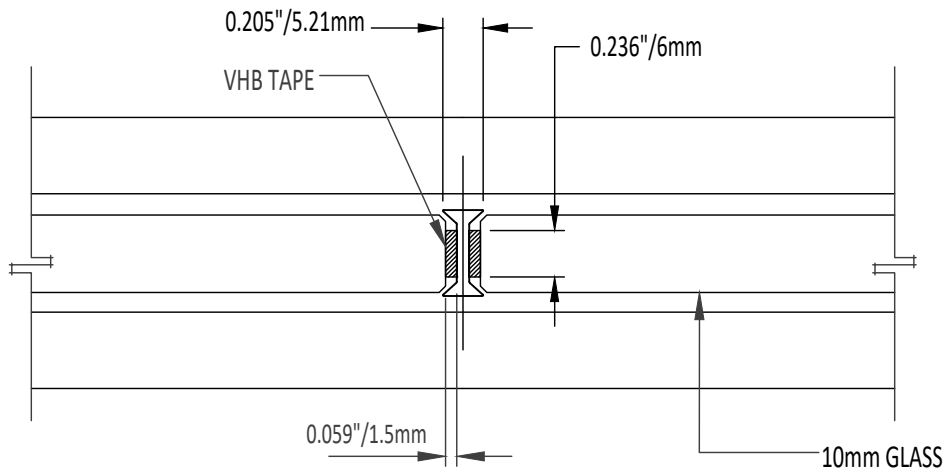


② WALL END TRANSITION - FASTENED TO ALTOS (OFF MODULE)

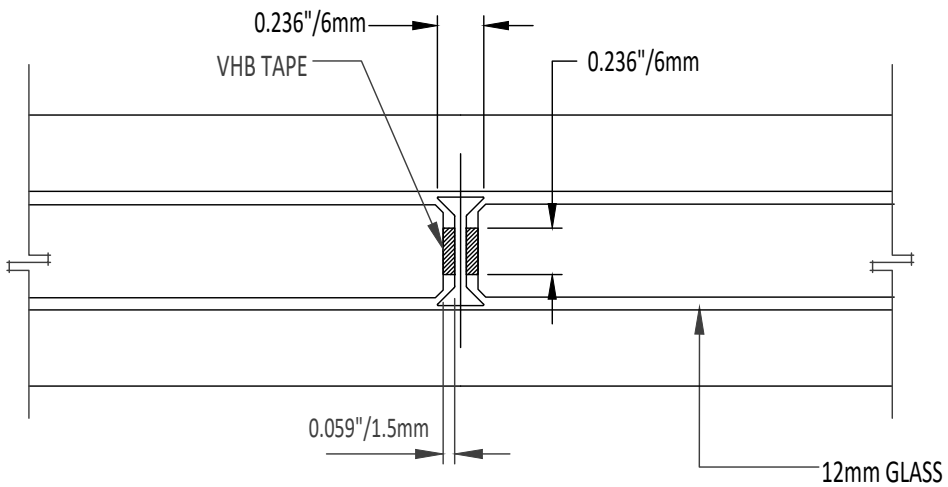
WALL TRANSITIONS

6"=1'-0"

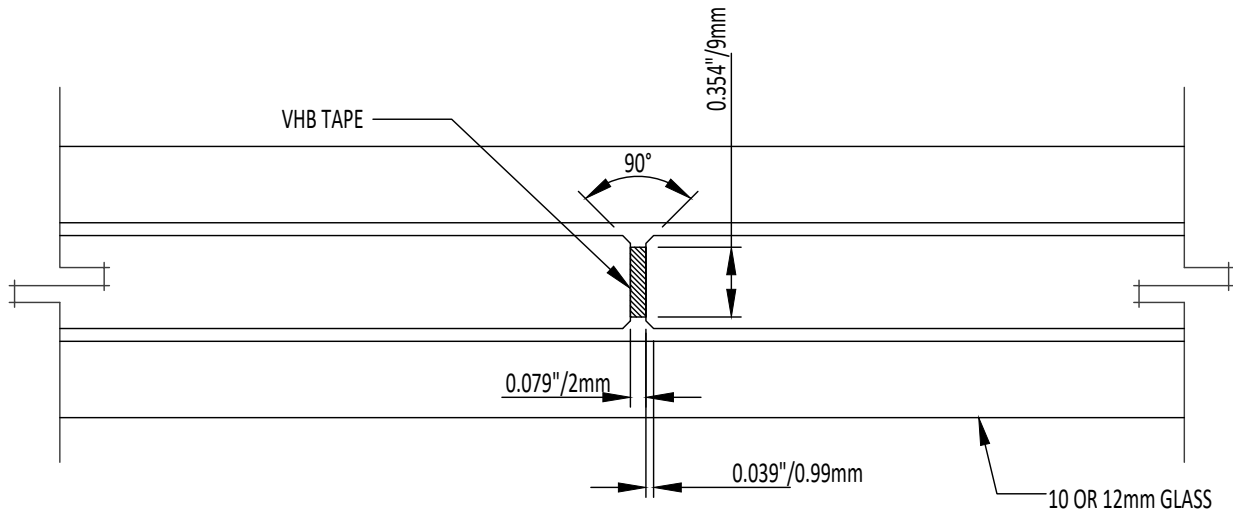




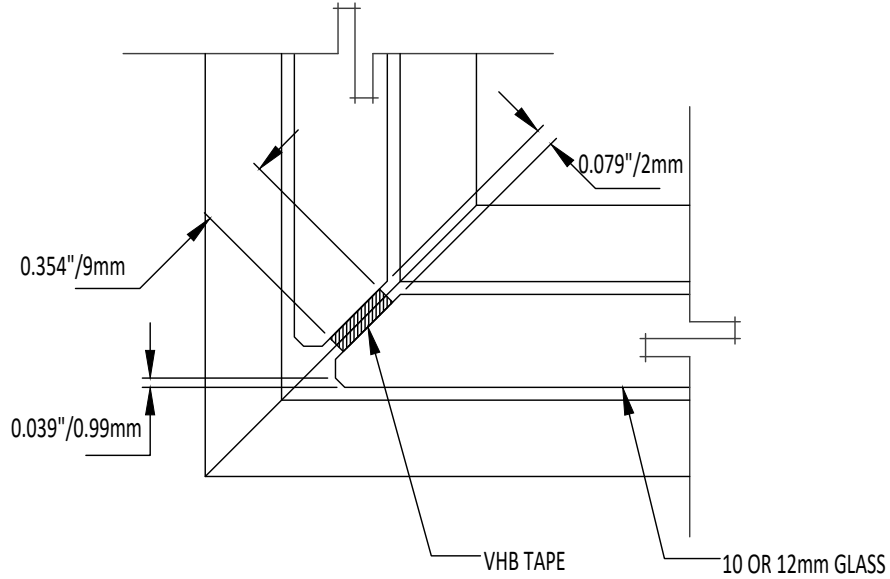
① INLINE GLASS - 10mm CLEAR PLASTIC CONNECTOR



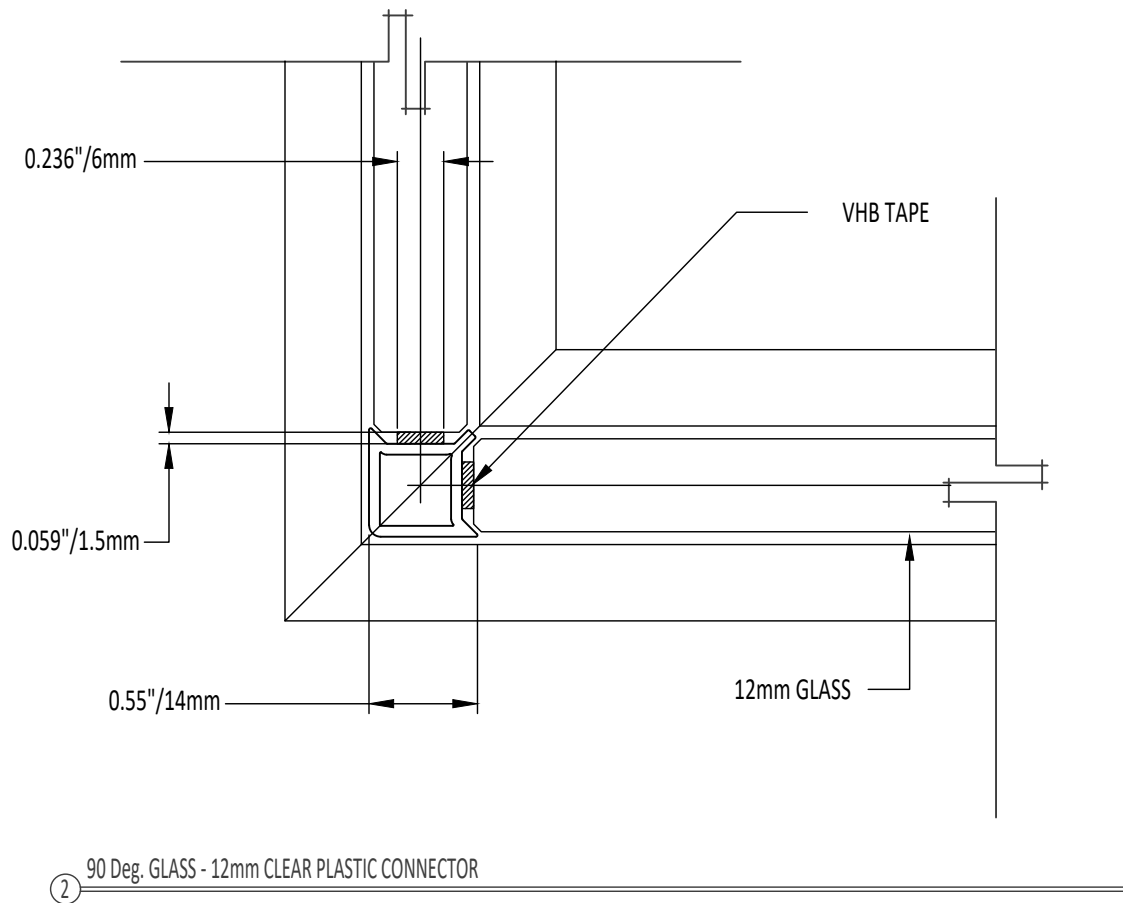
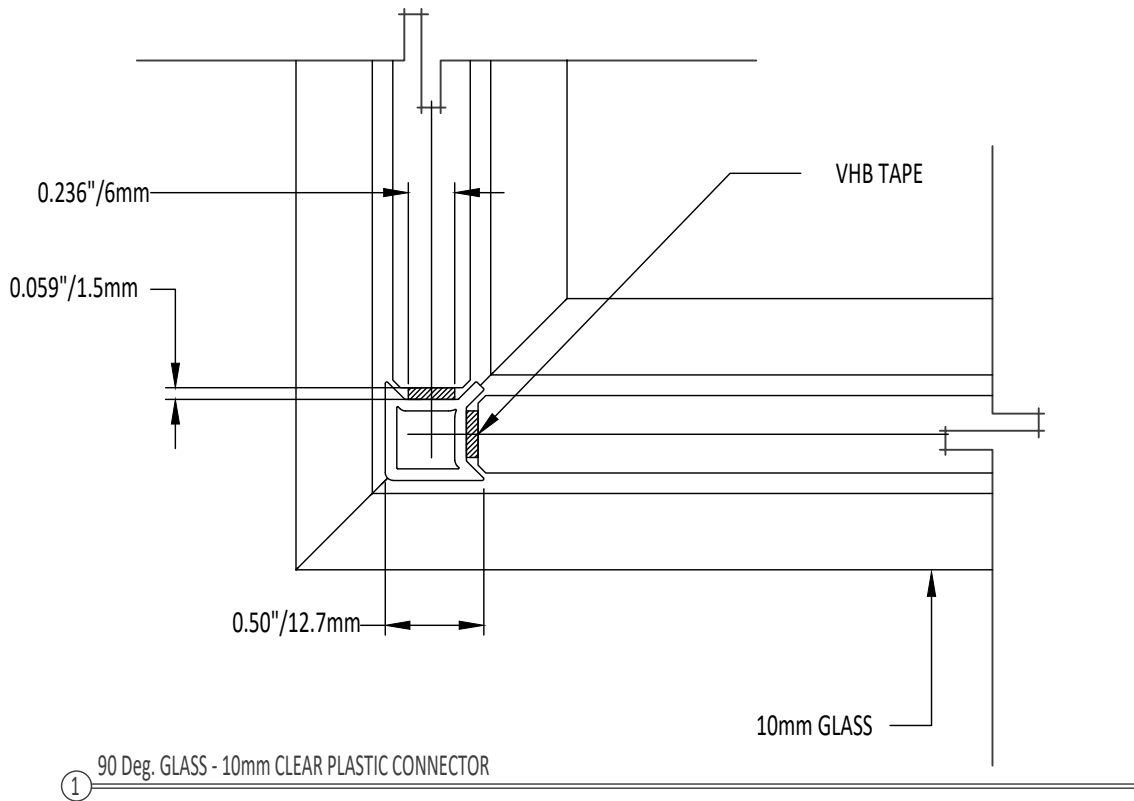
② INLINE GLASS - 12mm CLEAR PLASTIC CONNECTOR

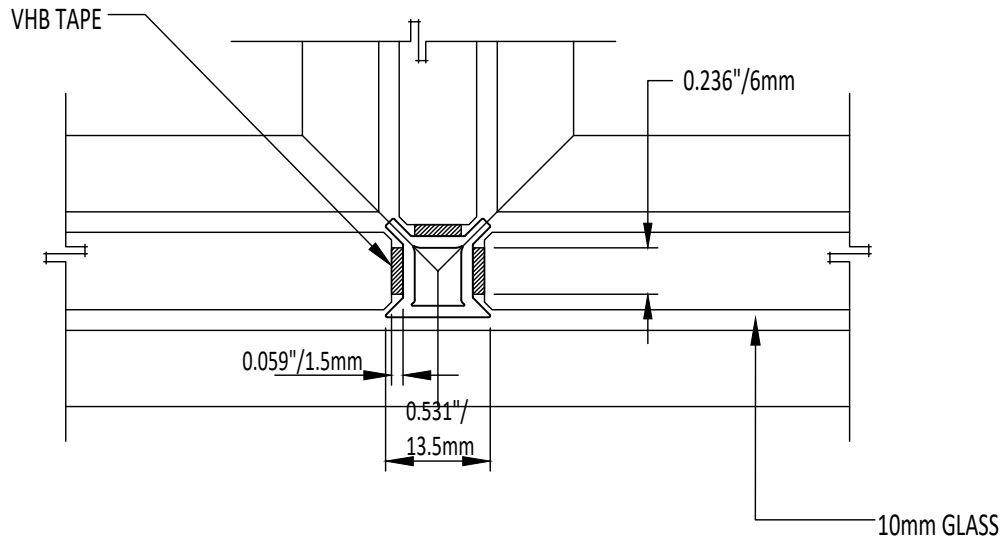


① INLINE GLASS - INLINE TAPE CONNECTOR

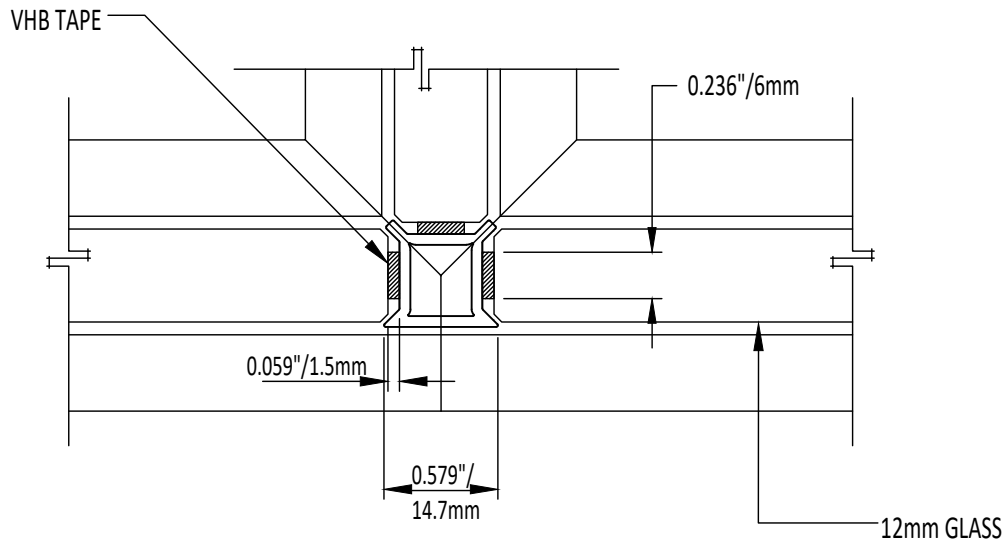


② 90 DEG. GLASS - INLINE TAPE CONNECTOR

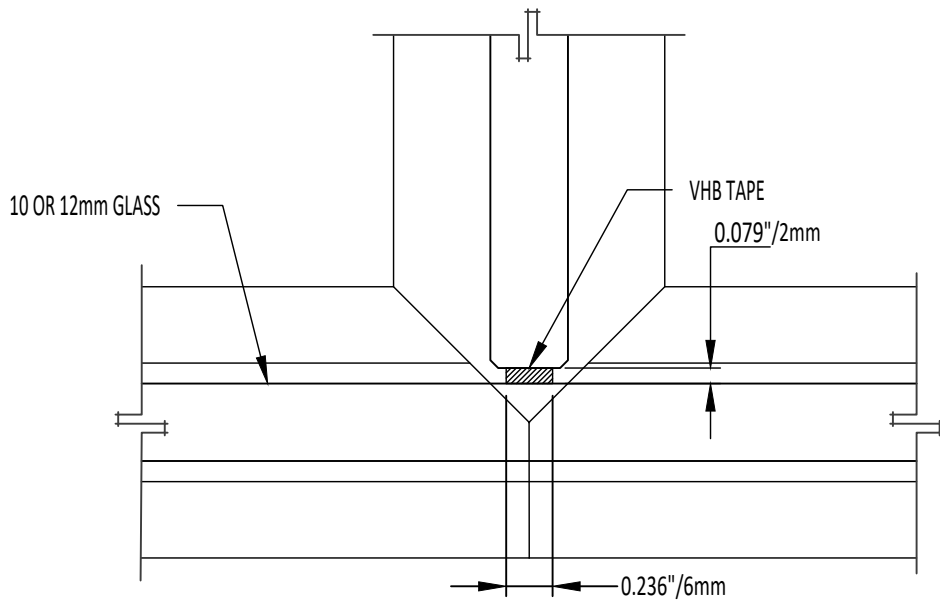




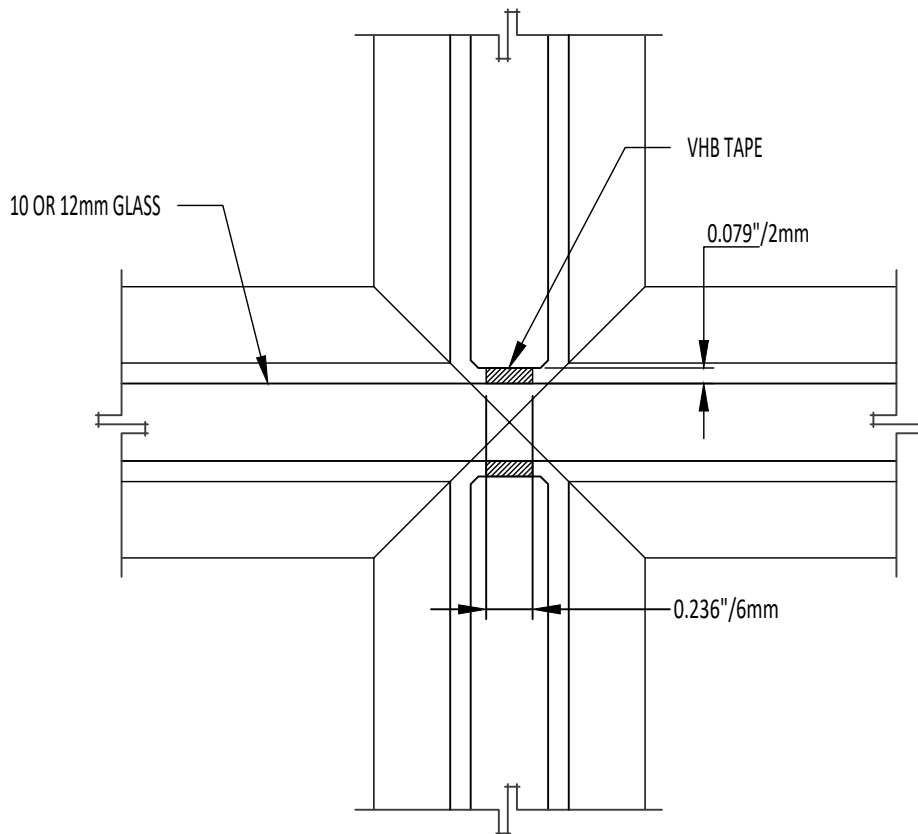
① 3-WAY GLASS - 10mm CLEAR PLASTIC CONNECTOR



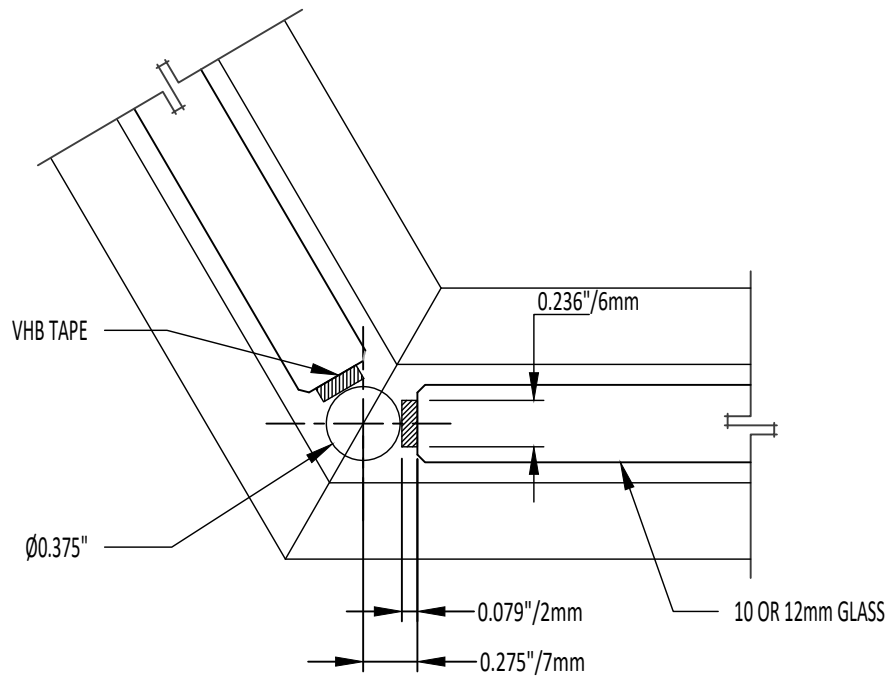
② 3-WAY GLASS - 12mm CLEAR PLASTIC CONNECTOR



① 3-WAY GLASS - INLINE TAPE CONNECTOR



② 4-WAY GLASS CONNECTOR - INLINE TAPE CONNECTOR



① VARIABLE ANGLE GLASS - CLEAR PLASTIC CONNECTOR

**REVISION****DESCRIPTION****MADE BY****DATE**

Rev 00

INITIAL RELEASE

JP

JAN 2022

**REVISION HISTORY**

N.T.S.

**TEK VUE DETAIL DRAWING PACKAGE**

JAN 12, 2022

RH