

INDEX

By Section

Product Name	Product Code	Guide No.	Last Updated
WALL CABINETS			
Standard Wall Cabinet	RHWS	1331	June 2013
Standard Wall Cabinet with Glass Door(s)	RHWS DG		
Corner Wall Cabinet	RHWC		
Corner Wall Cabinet with Glass Door	RHWC DG		
Pigeonhole Wall Cabinet	RHWP		
Wall Cabinet with Pigeonhole Section	RHWH		
Wall Cabinet with Pigeonhole Section and Glass Door(s)	RHWH DG		
Wall Cabinet with Microwave Section	RHWM D		
Wall Cabinet with Microwave Section and Glass Doors	RHWM DG		
Wall Support	RHAWS		

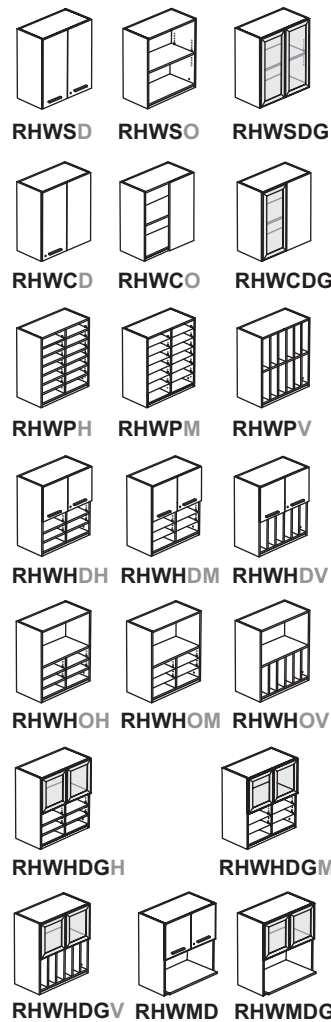
Product Name	Product Code	Guide No.	Last Updated
BASE CABINETS			
Standard Base Cabinet	RHBS	1332	Aug. 2017
Corner Base Cabinet	RHBC D		
Base Cabinet with Drawer(s) and Door(s)	RHBD		
Sink Cabinet with Doors	RHBD F		
Sink Cabinet for People with Reduced Mobility	RHBAS		
Base Cabinet for Waste and Recycle Bin	RHBSW		
Base Cabinet with Integrated Waste Bin and Recycling Center	RHBC		
Base Cabinet with Drawers	RHBW		
Combo Base Cabinet	RHBC P		
Pigeonhole Base Cabinet	RHBP		

Product Name	Product Code	Guide No.	Last Updated
STORAGE CABINETS			
Standard Storage Cabinet	RHSS	1333	Aug. 2017
Wardrobe Storage Cabinet	RHSWR		
ACCESSORIES			
Wall Cabinet Support Kit for Altos	RHABC	1342	Oct. 2009
Top Filler	RHAFT	1336	May 2009
Side Filler for Wall Cabinet	RHAFS	1334	May 2009
Metal End Panel for Wall Cabinet	RHAEP	1341	Jan. 2013
Laminate End Panel for Wall Cabinet	RHALEP		
Side Filler for Base and Storage Cabinets	RHAFB	1337	May 2009
Countertop	RHACT	1332	Aug. 2017
Backsplash	RHABSH	1343	May 2009
Laminate End Panel for Wall Cabinet	RHABSC		
End Gable	RHAEG	1344	Feb. 2014
Countertop Bracket	RHACTB	1345	Aug. 2015

Section – Wall Cabinets

RHWS, RHWSHG, RHWC, RHWCDG, RHWP, RHWH, RHWHDG, RHWMD, and RHWMDG – Wall Cabinets
 RHAWS – Wall Support

Product



TOOLS REQUIRED:

Cross or Square Drive #2 and #3, 5 mm Hexagonal Socket, and 5/16" Wrench

WALL CABINETS - Part / Product Identification and What's Included

Kit No. / Assy. No.			X80-80002 (15" high cabinet)	X80-80007 (24" to 36" high cabinets)
Ref.	Illustration	Part No. / Prod. Code	Quantity	
A	2" Horizontal Wall Adaptor Cabinet Part	A15-80161	2	4
B	1/4" - 20 x 5/8" Quadrex Pan Head, Mechanical Screw, Black	E01-50403	2	4
C	1/4" - 20 x 30 mm Joint Connector Bolt, Chrome	415108	2	2
D	1/4" - 20 x 17 mm Joint Connector Nut, Chrome	415109	2	2
E	#12 x 1 3/4" UNC, Hex Washer Head, Self-Drilling Screw	E01-50694	1	2
F	Washer	E03-50121	1	2
G	#8 x 5/8", Recex Pan Head, Wood Screw, Black	402100	4	0
H	19 mm x 9", Spacer Adaptor,	A15-80162	2	0
I	19 mm White Shelf Support	D01-50013	0	As per Order

RHAWS - Part / Product Identification and What's Included (NOT Included with Cabinets)

Ref.	Illustration	Description	Part No. / Prod. Code	Qty.
J	72" Wall Support	72" Wall Support	A21-50057 + 72	As per Order

Reference Installation Guides:

- No. 1342 Modular Cabinets "Wall Cabinet Support Kit for Altos RHABC"
- No. 1336 Modular Cabinets "Top Filler RHAFT"
- No. 1334 Modular Cabinets "Side Filler for Wall Cabinet RHAFS"
- No. 1335 Modular Cabinets "Metal or Laminate End Panel for Wall Cabinet RHAEP and RHALEP"
- No. 1603 Expansion Wood and Modular Cabinets "Glass Doors RHWSHG, RHWCDG, RHWHDGH, RHWHDGM, RHWHDGV, and RHWMDG"

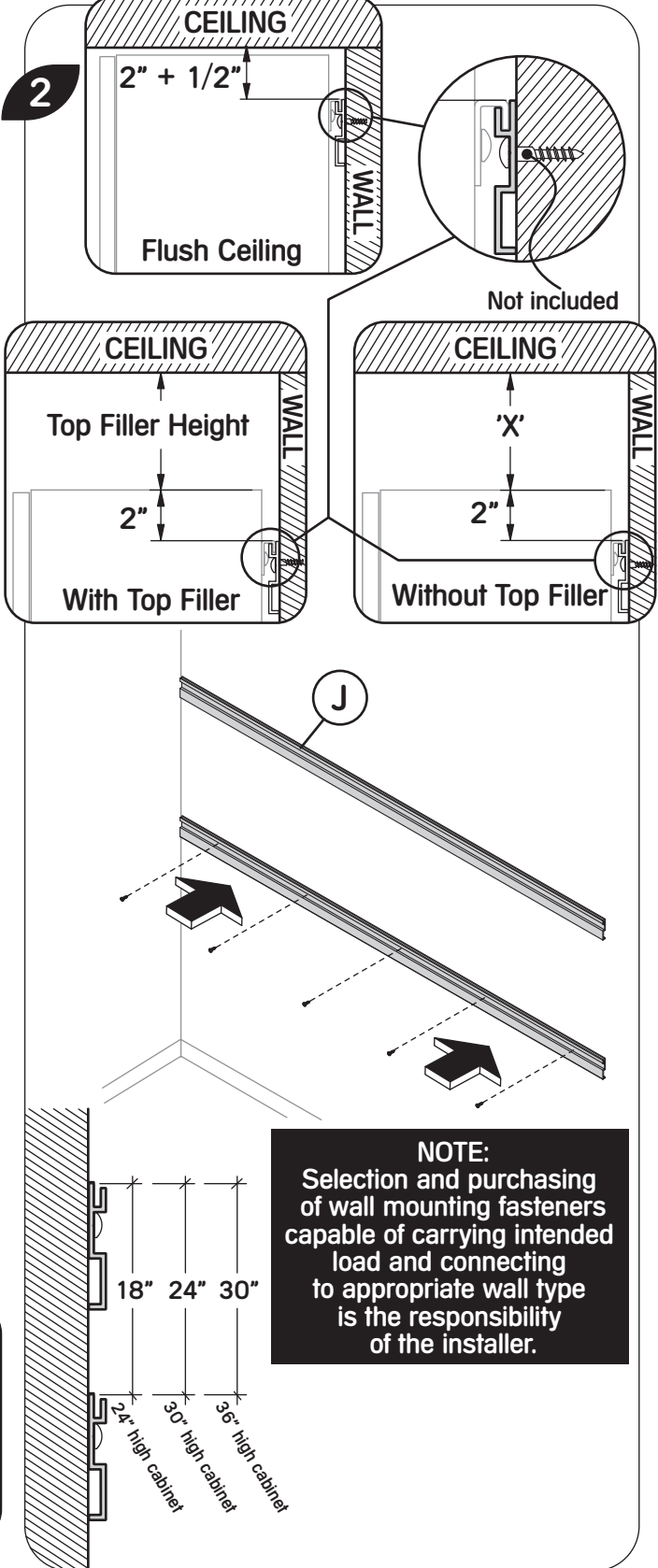
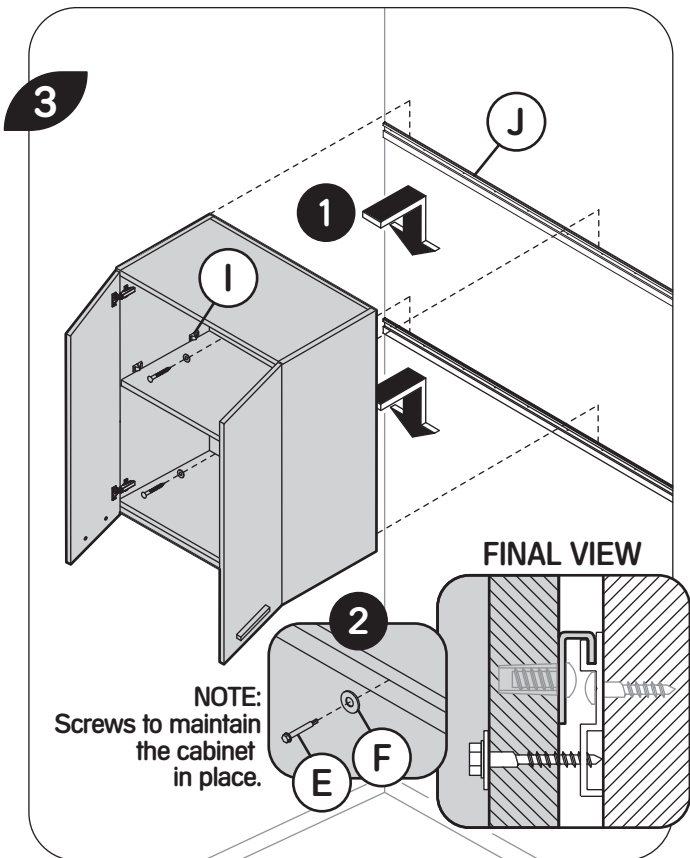
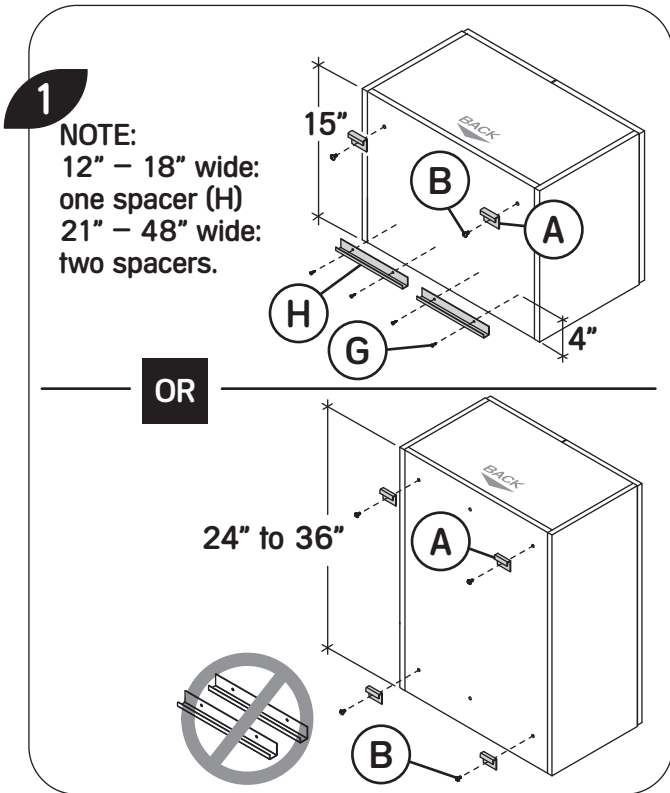
For additional information on this installation contact Teknion | Roy & Breton **Technical Support**.

Section – Wall Cabinets

RHWS, RHWSHG, RHWC, RHWCDG, RHWP, RHWH, RHWHDG, RHWMD, and RHWMDG – Wall Cabinets
 RHAWS – Wall Support

No. 1331

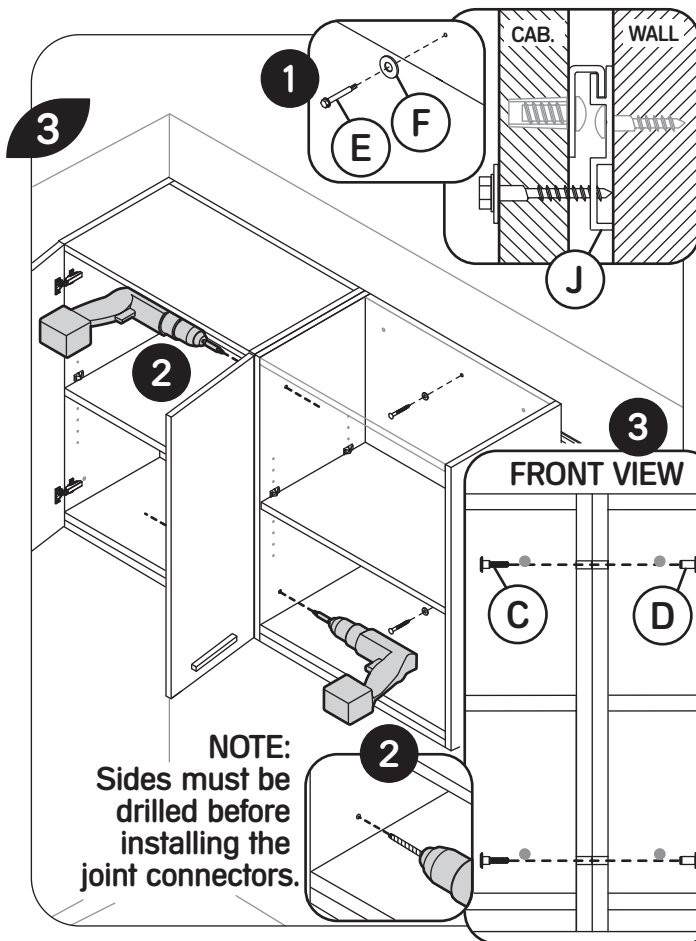
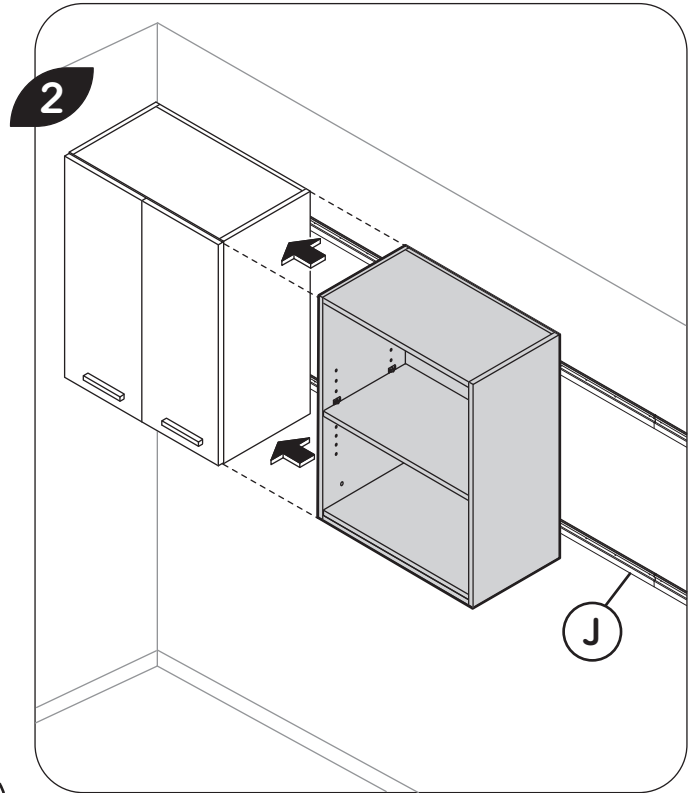
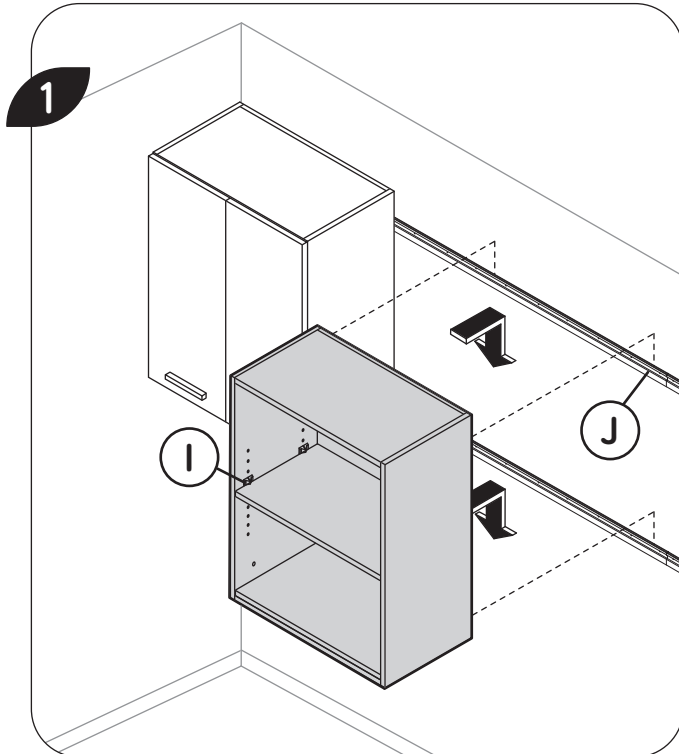
WALL CABINET INSTALLATION



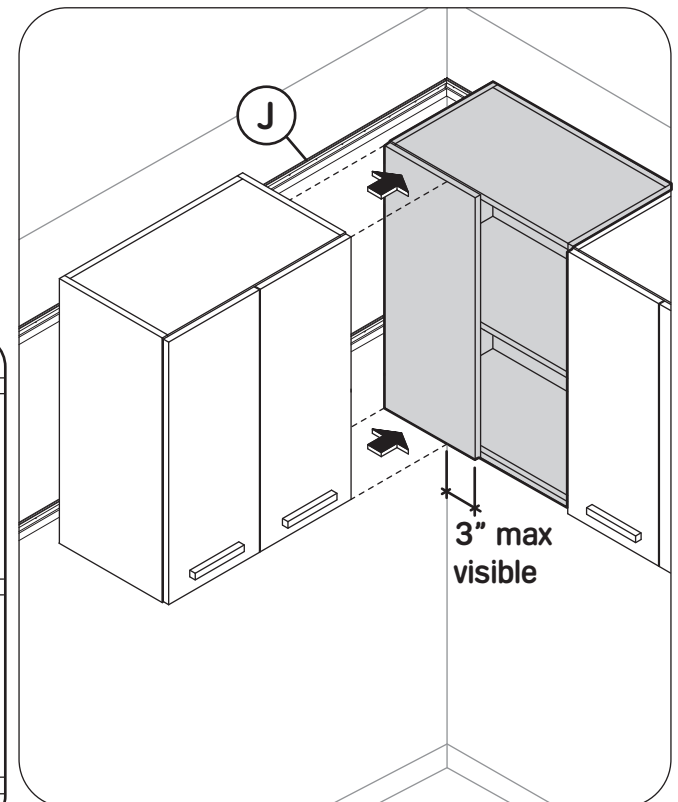
Section – **Wall Cabinets**

RHWS, RHWSGD, RHWC, RHWCDG, RHWP, RHWH, RHWHDG, RHWMD, and RHWMDG – Wall Cabinets
 RHAWS – Wall Support

MULTIPLE MOUNTING INSTALLATION



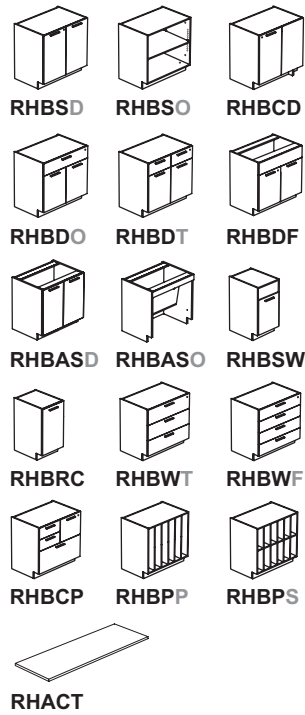
CORNER MOUNTING INSTALLATION



Section – **Base Cabinets**

RHBS, RHBCD, RHBD, RHBD, RHBD, RHBD, RHBSW, RHBW, RHBCP, and RHBP – Base Cabinets

Product



TOOLS REQUIRED:
 Cross or Square Drive #2,
 5 mm Hexagonal Key, Flat Drive,
 Level, Sealant and Sealant Gun

BASE CABINETS - Part / Product Identification and What's Included

Ref.	Illustration	Description	Part No. / Prod. Code	Qty.	Kit No. / Assy. No.
A		#1/4" - 20 x 30 mm Joint Connector Bolt, Chrome	415108	2	X80-80003 or X80-76004 (for RHBAS_ only)
		or #1/4" - 20 x 35 mm Joint Connector Bolt, Chrome (for RHBAS_ only)	D02-50075		
B		#1/4" - 20 x 17 mm Joint Connector Nut, Chrome	415109	2	
C		#10" x 3 1/2" Square Wafer Head, Cabinet Screw, Zinc	E04-50108	2	
D		#8 x 1 1/2" Recex Pan Head, Wood Screw, Black (*Only used with Countertop Install.)	402101	4	
E		1/2" Nylon 6/6 Hole Plug, Binder Head, Black Matte finish	501514	4	
F		3/8" - 16 x Ø4", Leveler, Black	D03-50001	4	
G		19 mm White Shelf Support	D01-50013	As per Order	

For RHBCD only - Part / Product Identification and What's Included

Ref.	Illustration	Description	Part No. / Prod. Code	Qty.	Kit No. / Assy. No.
H		#8 x 5/8" Recex Pan Head, Wood Screw, Black	402100	3	X80-80004
I		Toe Kick Metal Plate	A15-80160	1	
J		4" x 4" Toe Kick for Corner Cabinet	H06BS0404	1	

For RHBASD only - Part / Product Identification and What's Included

Ref.	Illustration	Description	Part No. / Prod. Code	Qty.	Kit No. / Assy. No.
K		#8 x 5/8" Recex Pan Head, Wood Screw, Black	402100	8	X80-76000 + ww *
L		Metal Toe Kick	A15-76001L + ww * and A15-76001R + ww *	1	

* ww = Width

Reference Installation Guide:
 No. 1337 Modular Cabinets "Side Filler for Base and Storage Cabinets RHAFB"

For additional information on this installation contact Teknion | Roy & Breton **Technical Support**.


Issue Date: 2017 August 23

(L04-80002_R09)

Section – **Base Cabinets**

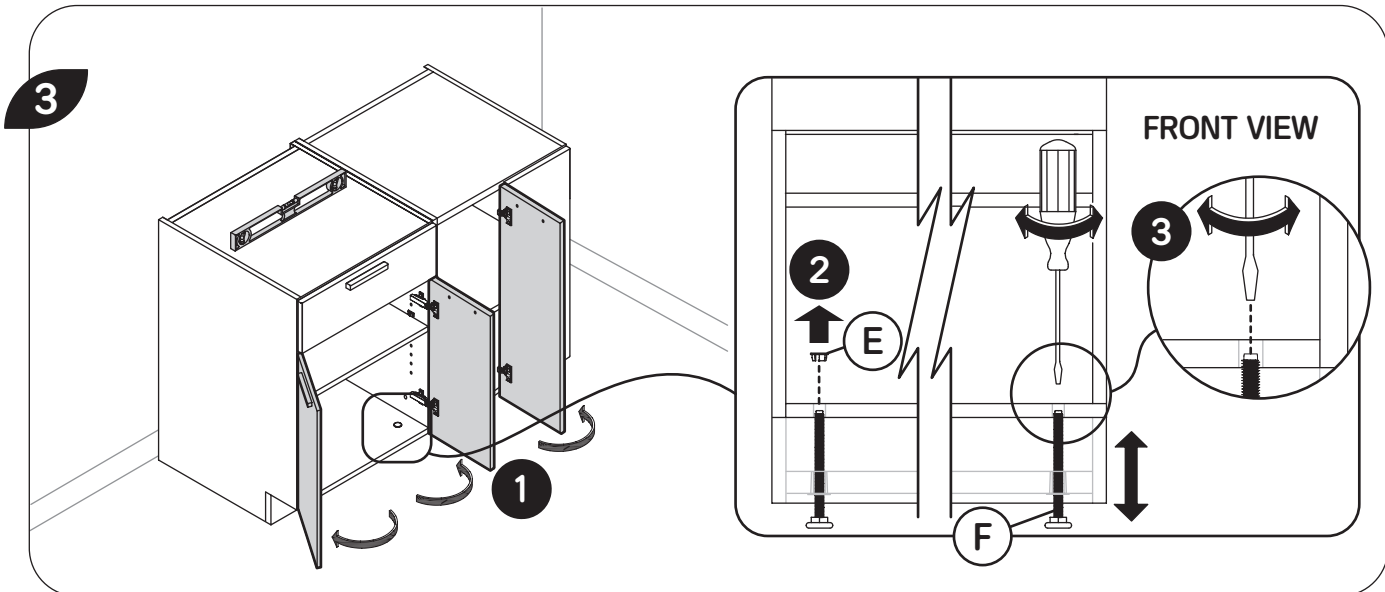
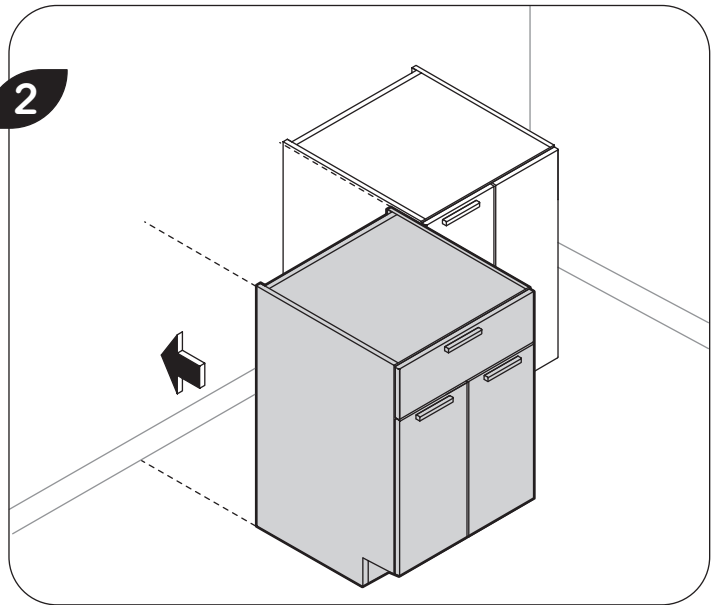
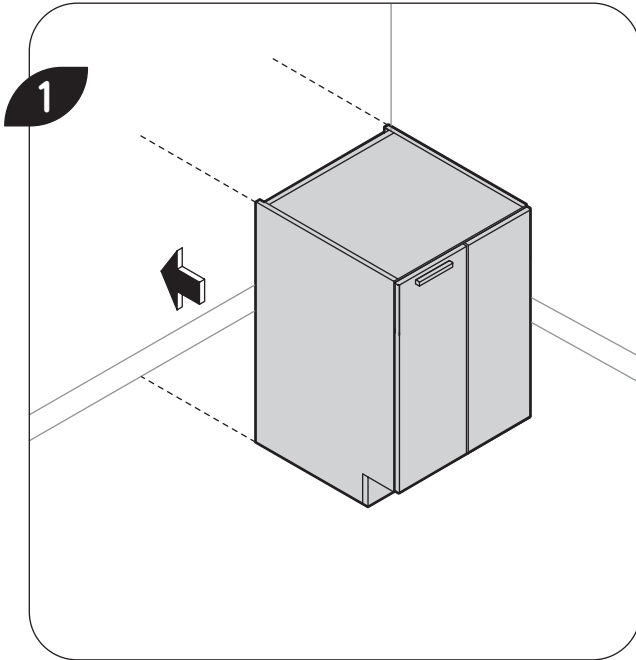
RHBS, RHBCD, RHBD, RHBDF, RHBAS, RHBSW, RHBW, RHBCP, and RHBP – Base Cabinets

RHACT - Part / Product Identification and What's Included

Ref.	Illustration	Description	Part No. / Prod. Code	Qty.	Kit No. / Assy. No.
M		Standard Countertop	RHACTS_	1	
		or Water Resistant Countertop	RHACTW_		

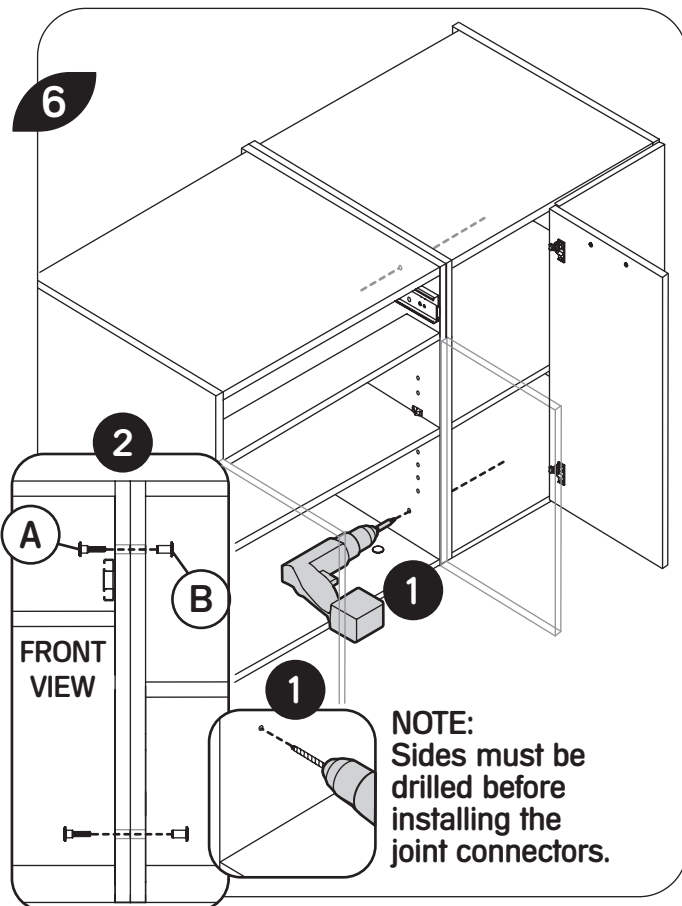
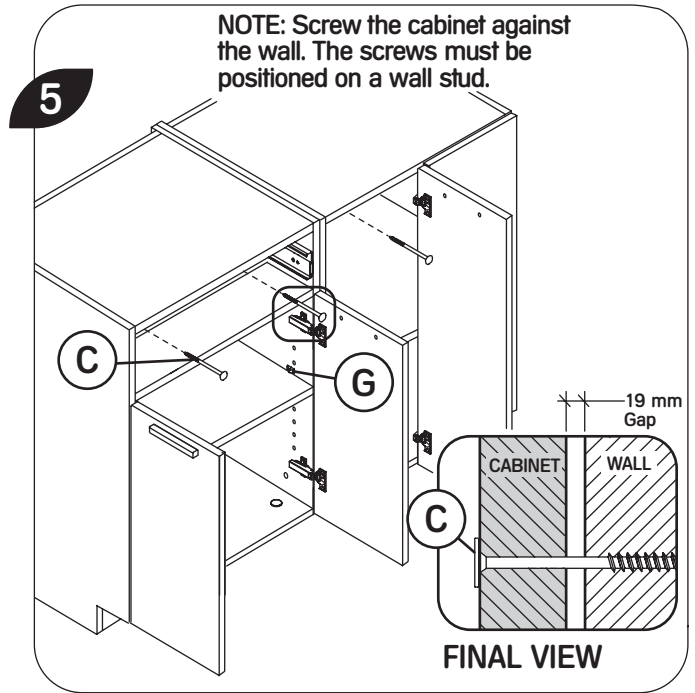
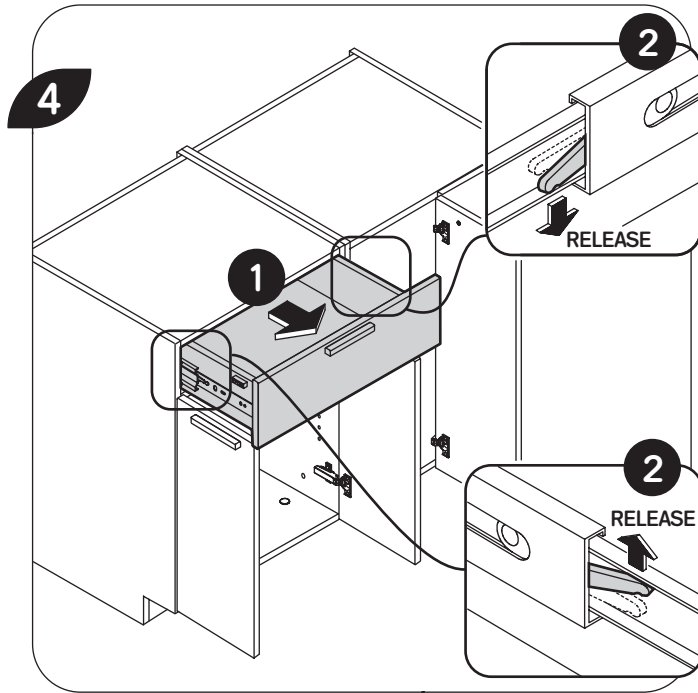
BASE CABINET INSTALLATION

MULTIPLE MOUNTING INSTALLATION

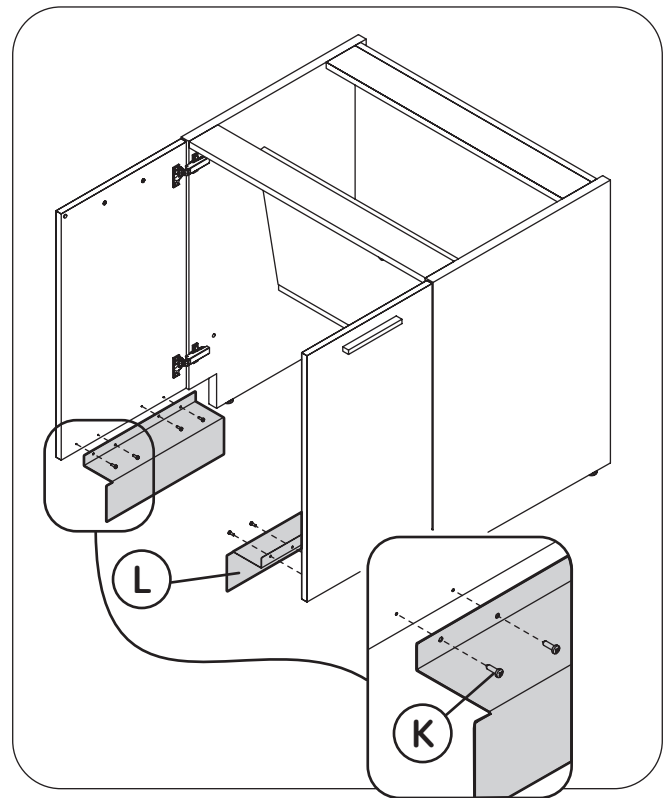


Section – **Base Cabinets**

RHBS, RHBCD, RHBD, RHBDF, RHBAS, RHBSW, RHBW, RHBCP, and RHBP – Base Cabinets



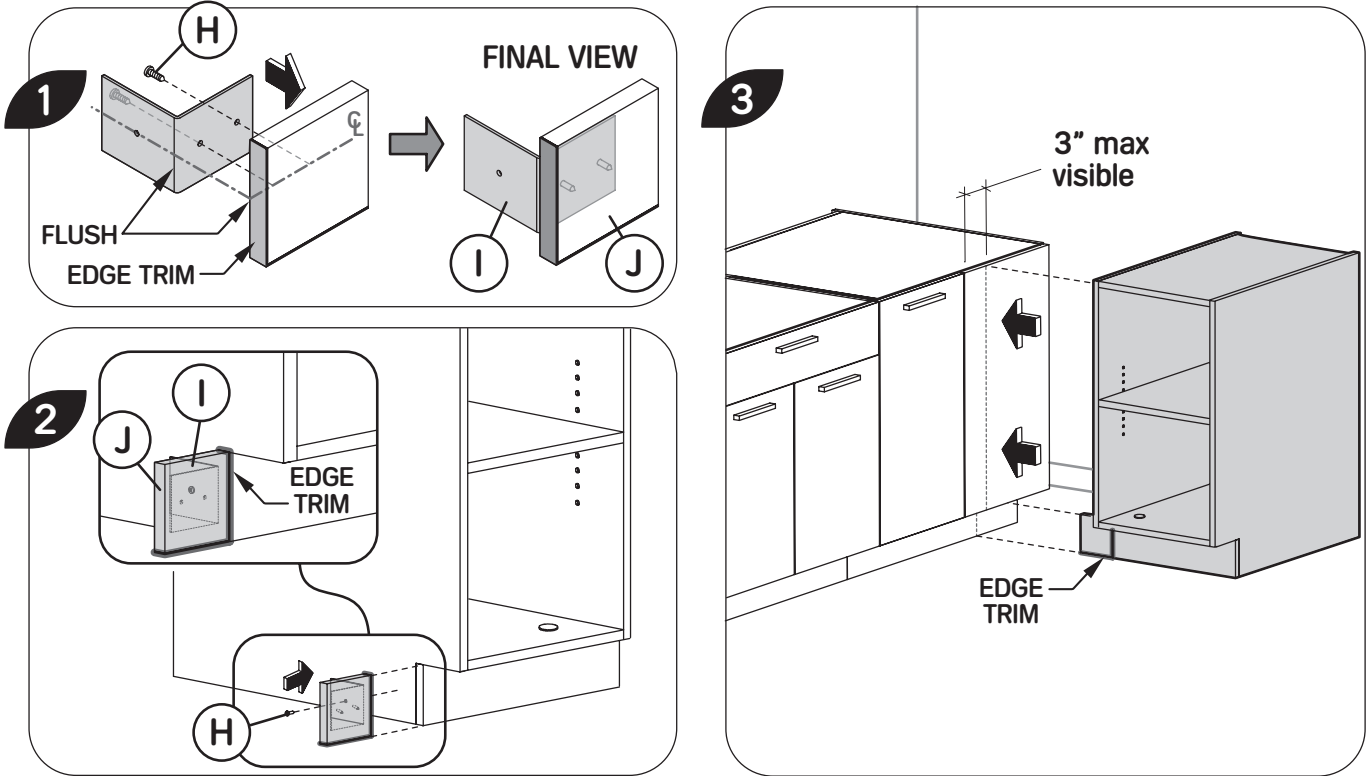
**METAL TOE KICK INSTALLATION
(FOR RHBASD ONLY)**



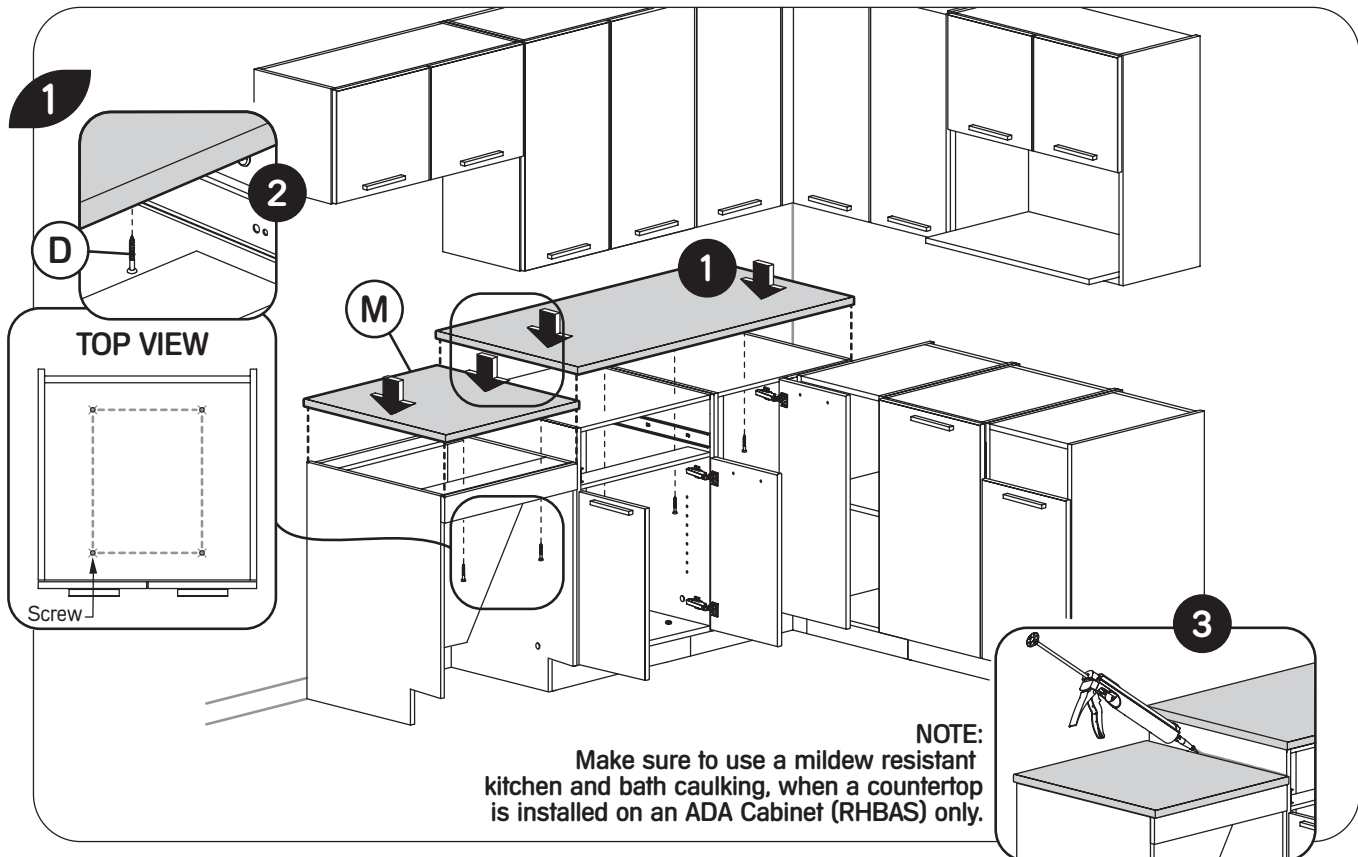
Section – **Base Cabinets**

RHBS, RHBCD, RHBD, RHBCD, RHBAS, RHBSW, RHBW, RHBCP, and RHBP – Base Cabinets

CORNER MOUNTING INSTALLATION



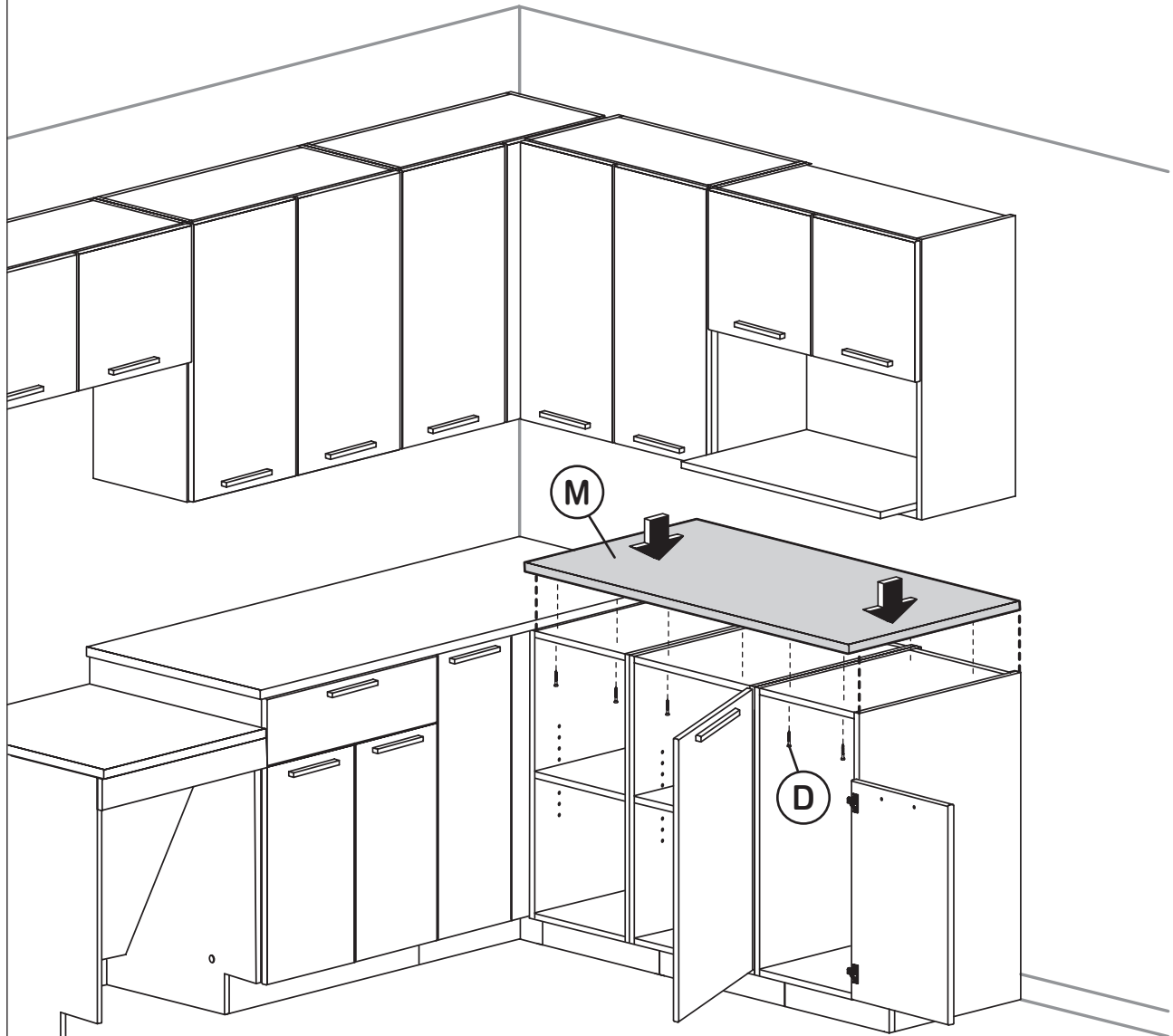
COUNTERTOP INSTALLATION



Section – **Base Cabinets**

RHBS, RHBCD, RHBD, RHBDF, RHBAS, RHBSW, RHBW, RHBCP, and RHBP – Base Cabinets

2

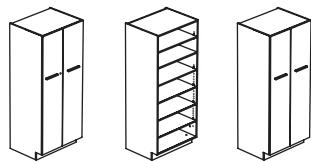


NOTE:
Repeat countertop installation
step 1 and step 2 for this countertop.
Repeat step 3, if applicable.

Section – **Storage Cabinets**

RHSS and RHSWR – Storage Cabinets

Product



RHSSD RHSSO RHSWR

TOOLS REQUIRED:

Cross or Square Drive #2,
5 mm Hexagonal Key, Flat Drive,
and Level

STORAGE CABINETS - Part / Product Identification and What's Included

Ref.	Illustration	Description	Part No. / Prod. Code	Qty.	Kit No. / Assy. No.
A		#1/4" - 20 x 30 mm Joint Connector Bolt, Chrome	415108	2	X80-80003
B		#1/4" - 20 x 17 mm Joint Connector Nut, Chrome	415109	2	
C		#10 x 3 1/2" Square Wafer Head, Cabinet Screw, Zinc	E04-50108	2	
		#8 x 1 1/2" Recex Pan Head, Wood Screw, Black (*Only used with Countertop Installation; refer to 1339)	402101	4	
D		1/2" Nylon 6/6 Hole Plug, Binder Head, Black Matte finish	501514	4	
E		3/8" - 16 x Ø4", Leveler, Black	D03-50001	4	
F		19 mm White Shelf Support	D01-50013	As per Order	

Reference Installation Guides:

No. 1336 Modular Cabinets "Top Filler RHAFT"

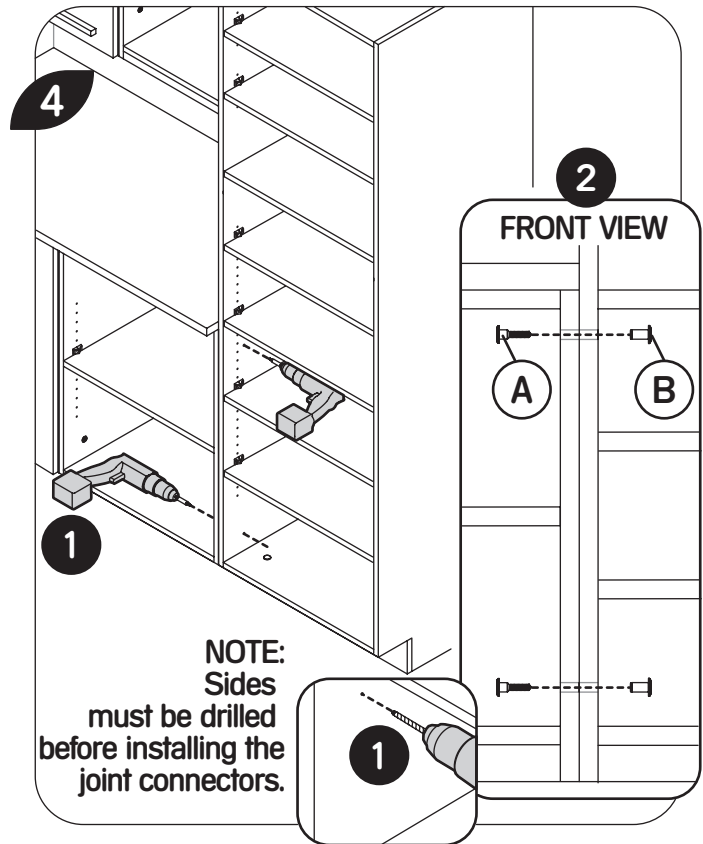
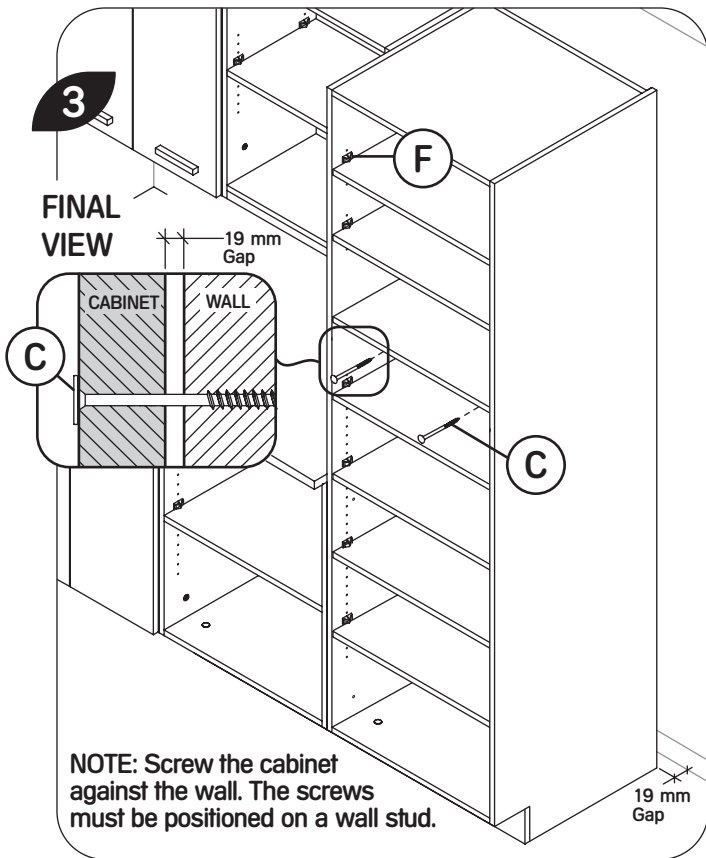
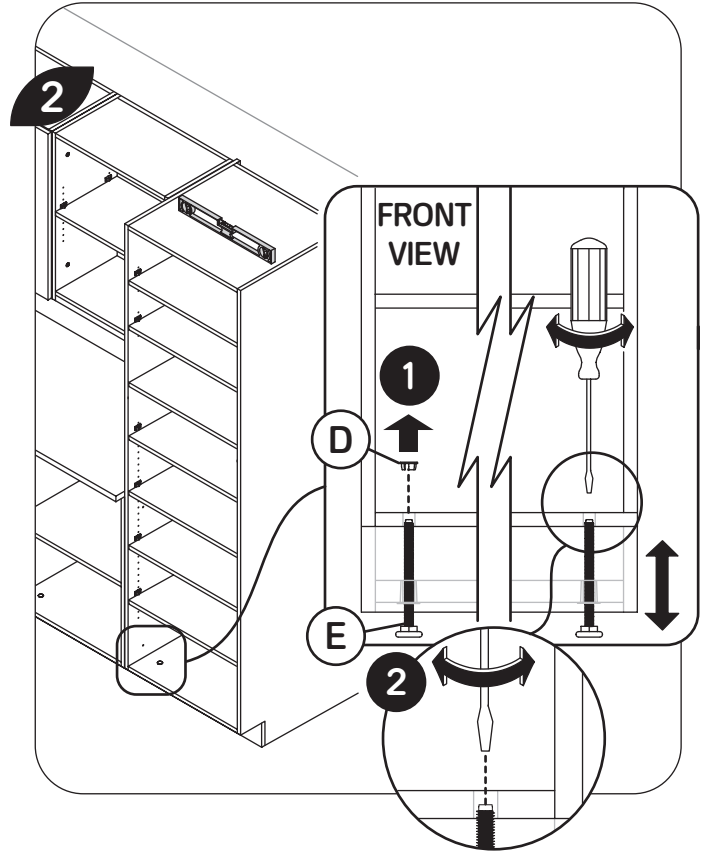
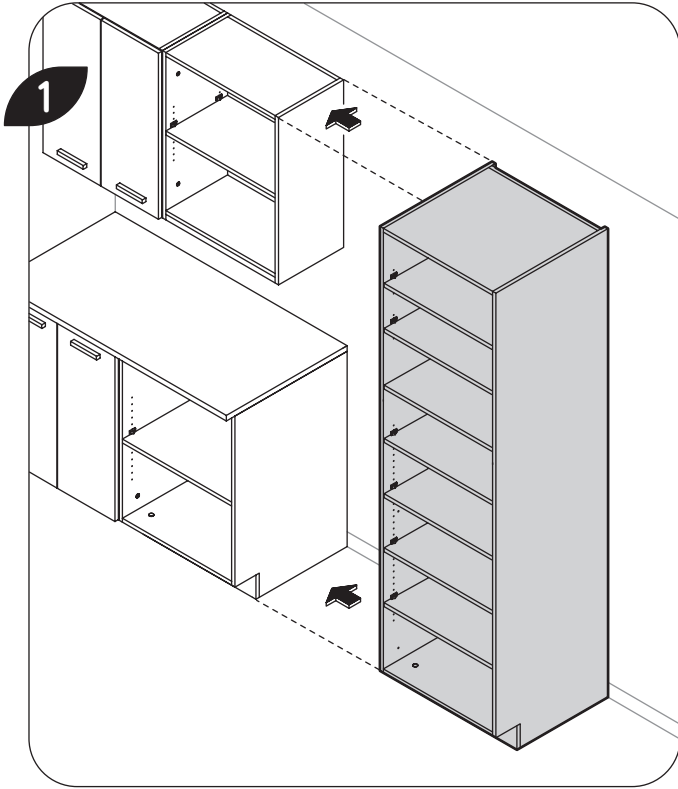
No. 1337 Modular Cabinets "Side Filler for Base and Storage Cabinets RHAFTB"

For additional information on this installation contact Teknion | Roy & Breton **Technical Support**.

Issue Date: 2017 August 23

(L04-80003_R04)

STORAGE CABINET INSTALLATION

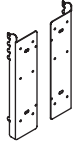


Section – **Accessories**

RHABC – Wall Cabinet Support Kit for Altos

No. **1342**

Product



RHABC

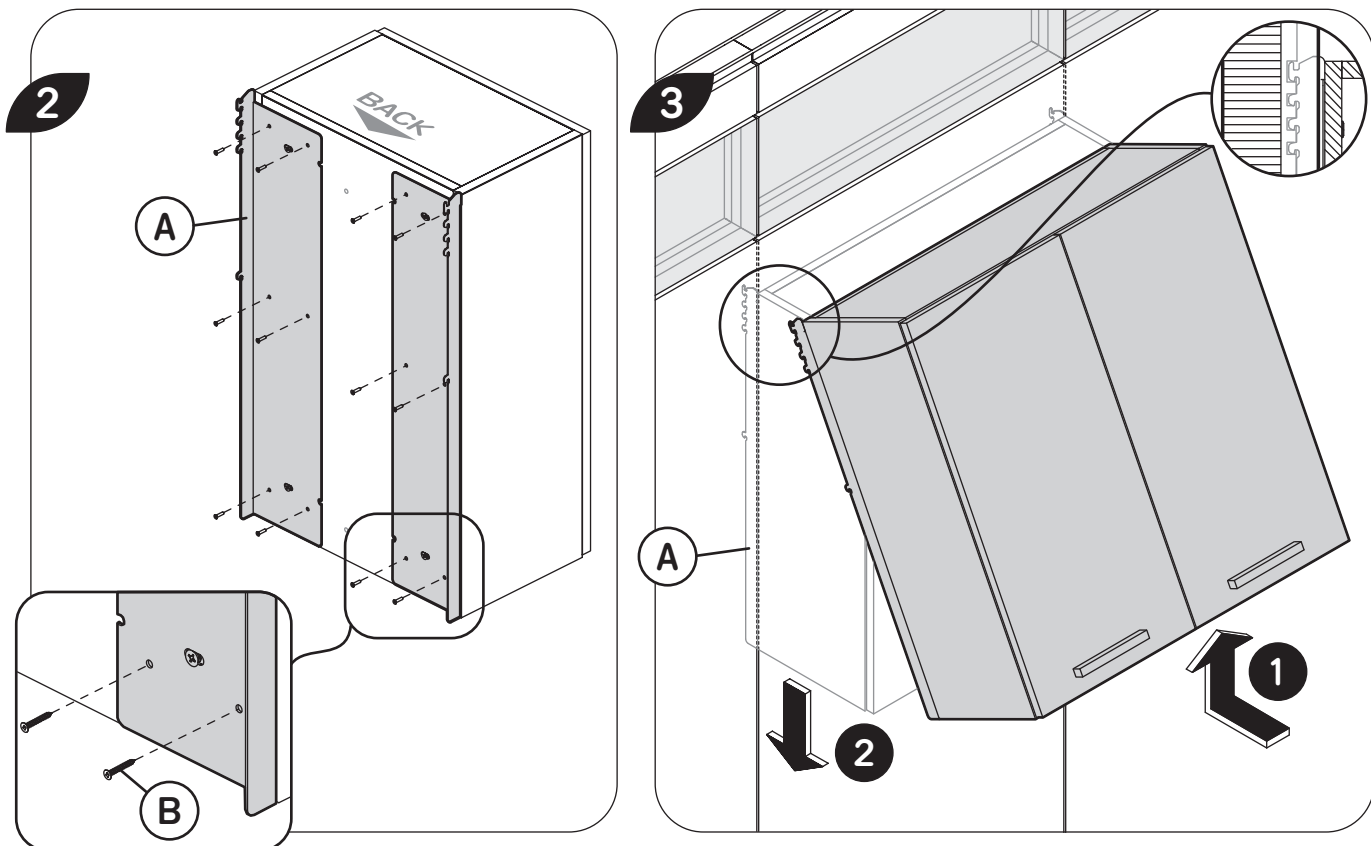
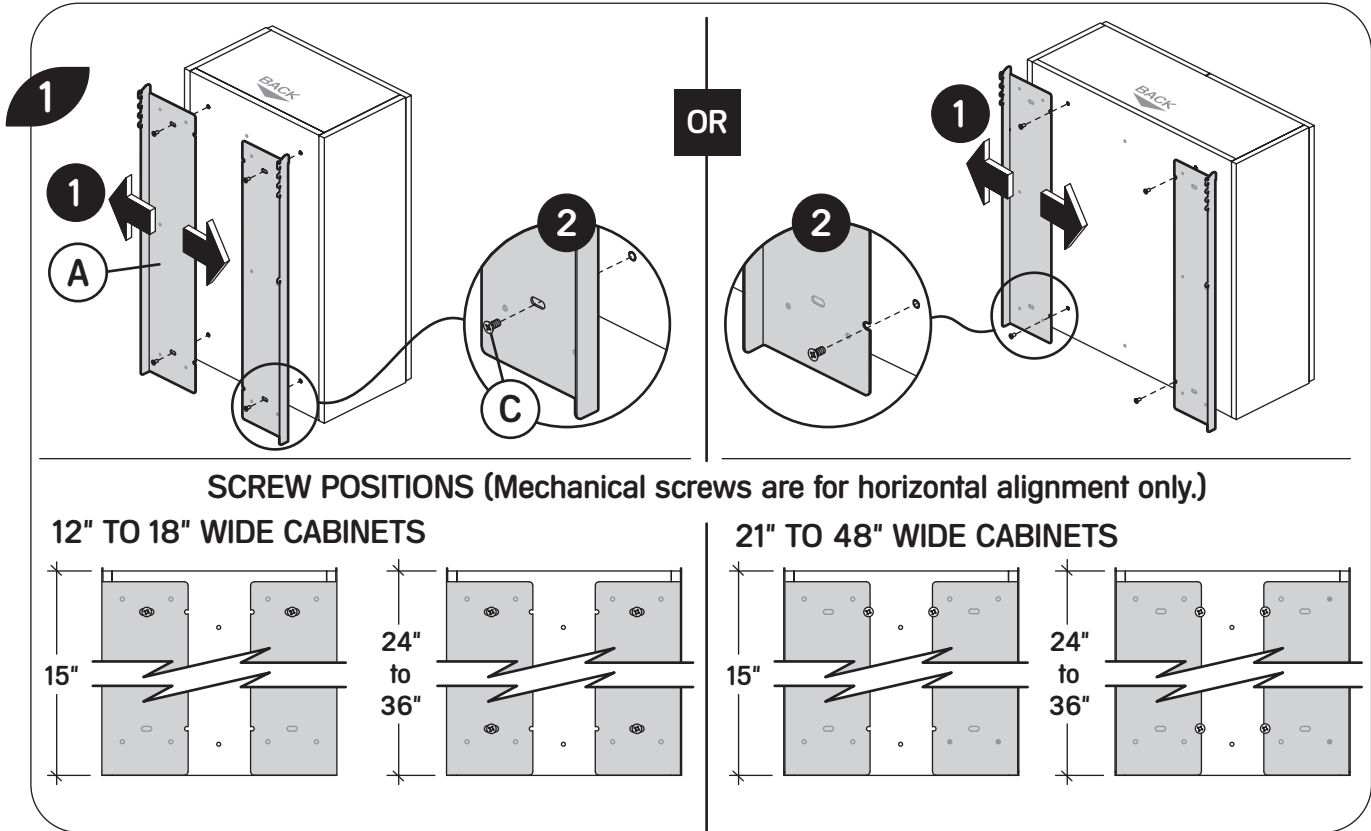
TOOLS REQUIRED:

Cross or Square Drive #3 and
Square Drive #1

RHABC - Part / Product Identification and What's Included

Ref.	Illustration	Description	Part No. / Prod. Code	Qty.	Kit No. / Assy. No.
A		Left Wall Cabinet Support	A15-76002L +15	1	
		Right Wall Cabinet Support	A15-76002R +15	1	
B		#7 x 3/4" Square Flat Head, Wood Screw, Zinc	400316	12	X80-76001
C		1/4" - 20 x 1/2" Quadrex Flat Head, Mechanical Screw, Zinc	E01-50410	4	

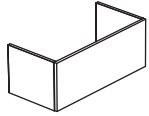
WALL CABINET SUPPORT KIT FOR ALTOS – INSTALLATION



Section – Accessories

RHAFT – Top Filler

Product



RHAFT

TOOLS REQUIRED:

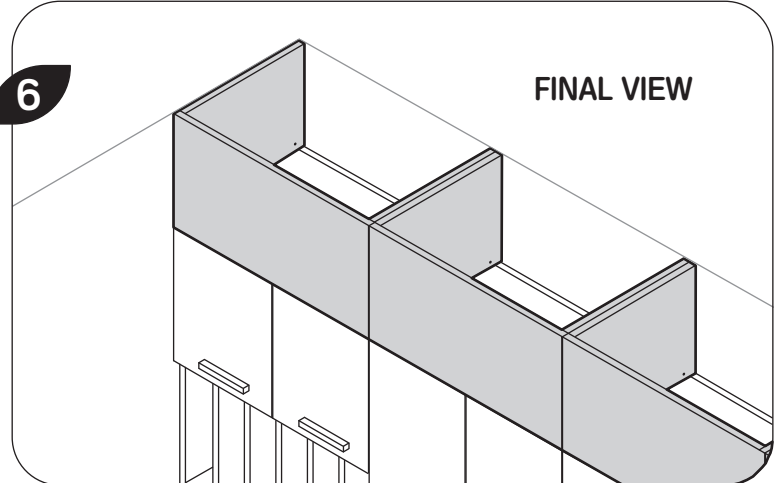
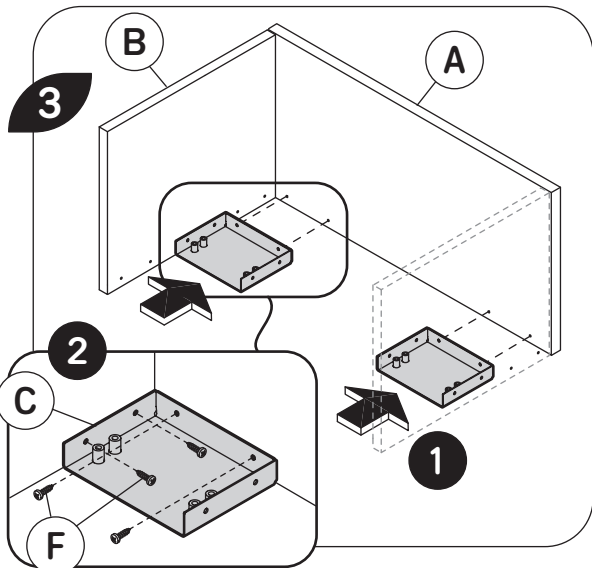
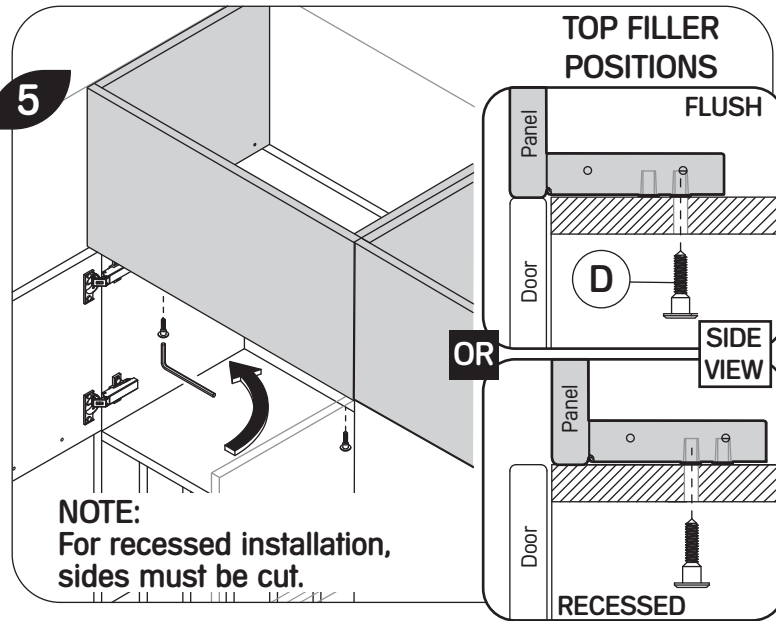
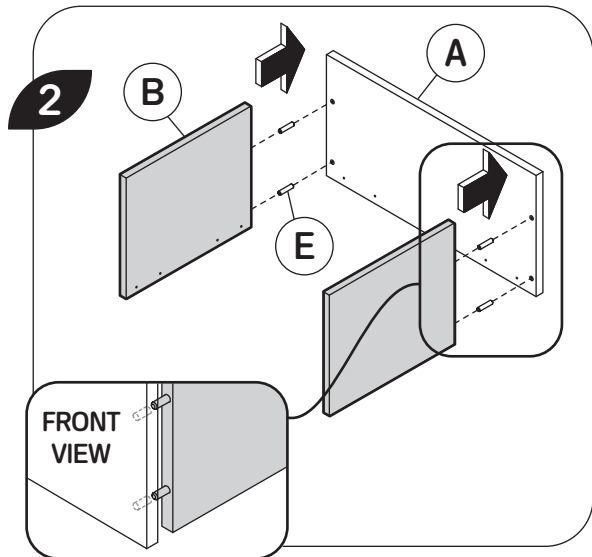
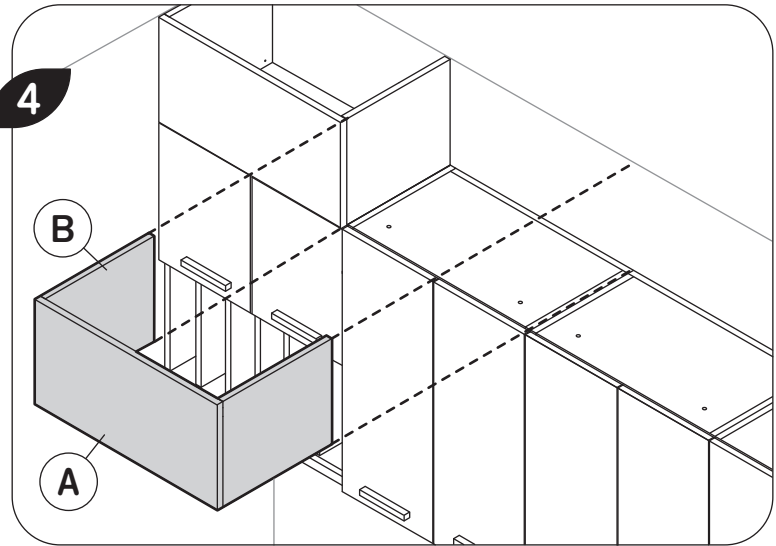
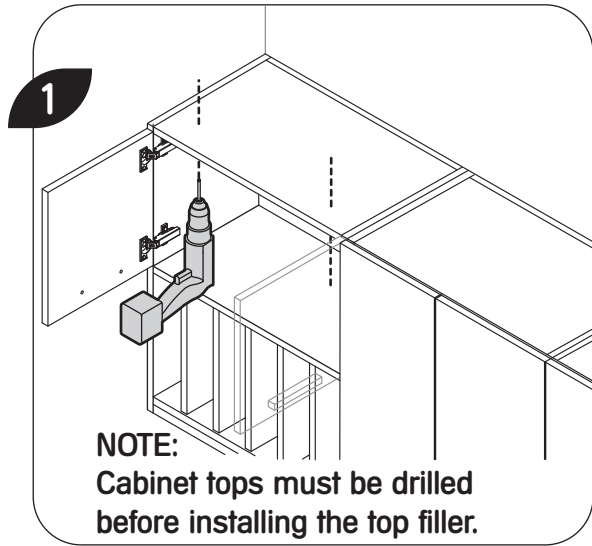
Cross or Square Drive #2 and
5 mm Hexagonal Key

RHAFT - Part / Product Identification and What's Included

Ref.	Illustration	Description	Part No. / Prod. Code	Qty.
A		Front for Top Filler	H10ATwwhh*	1
B		Side for Top Filler	H01ATddhh*	2
C	 OR	Top Filler Bracket (for 12" to 18" wide fillers) Top Filler Bracket (for 21" to 48" wide fillers)	N80-80147 N80-80146	2
D		1/4" - 20 x 30 mm Joint Connector Bolt, Chrome	415108	2
E		8 mm x 35 mm Wood Dowel Pin	501524	4
F		#8 x 5/8" Recex Pan Head, Wood Screw, Black	402100	8

* dd = Depth, ww = Width, and hh = Height

TOP FILLER INSTALLATION



Section – **Accessories**

RHAFS – Side Filler for Wall Cabinet

Product



RHAFS

TOOLS REQUIRED:

Cross or Square Drive #2,
Circular Saw, and
5 mm Hexagonal Key

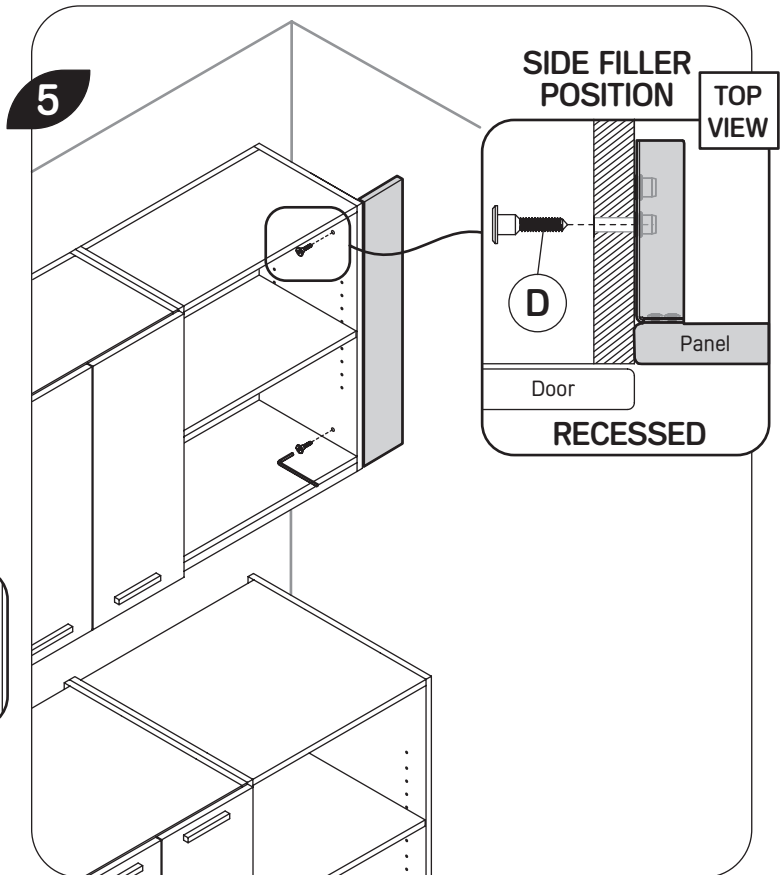
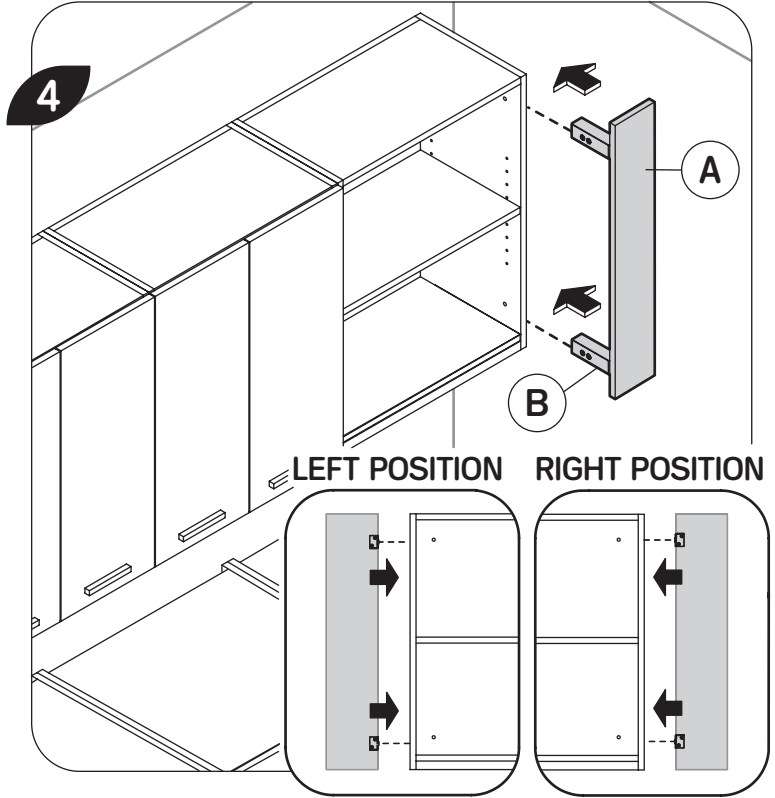
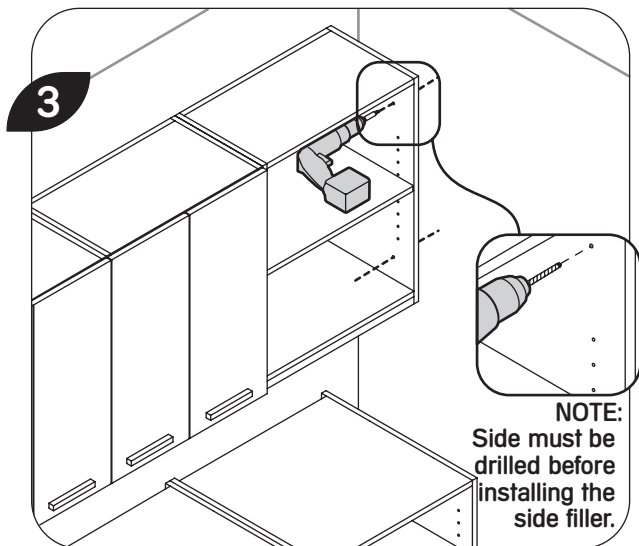
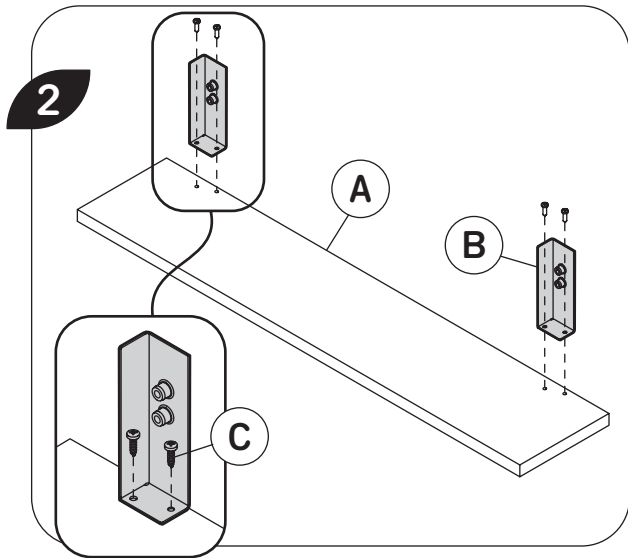
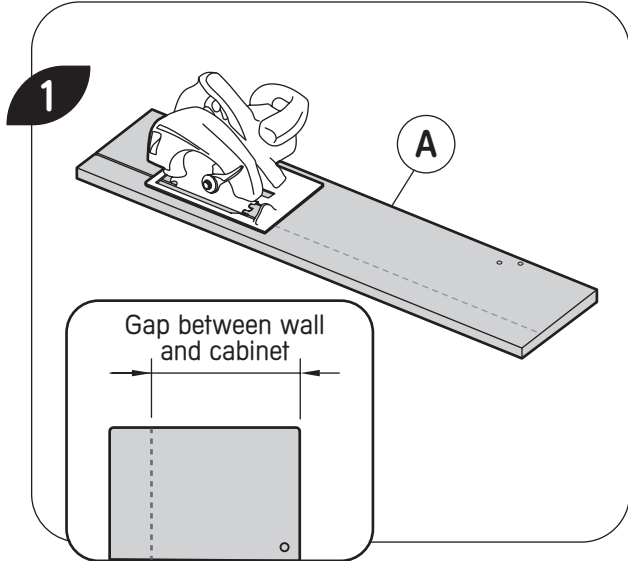
RHAFS - Part / Product Identification and What's Included

Ref.	Illustration	Description	Part No. / Prod. Code	Qty.
A		Panel	H10AS06hh*	1
B		Bracket (for 15" to 36" height) ** or (for 42" or 48" height) **	N80-80144	2 or 3
C		#8 x 5/8" Recex Pan Head, Wood Screw, Black (for 15" to 36" height) ** or (for 42" or 48" height) **	402100	4 or 6
D		1/4" - 20 x 30 mm Joint Connector Bolt, Chrome (for 15" to 36" height) ** or (for 42" or 48" height) **	415108	2 or 3

* **hh** = Height

** Included top filler height when applicable.

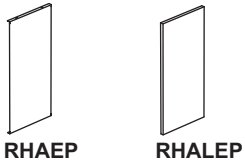
SIDE FILLER FOR WALL CABINET INSTALLATION



Section – **Accessories**

RHAEP and RHALEP – End Panels for Wall Cabinet

Product



RHAEP RHALEP

TOOLS REQUIRED:
5 mm Hexagonal Key

RHAEP - Part / Product Identification and What's Included

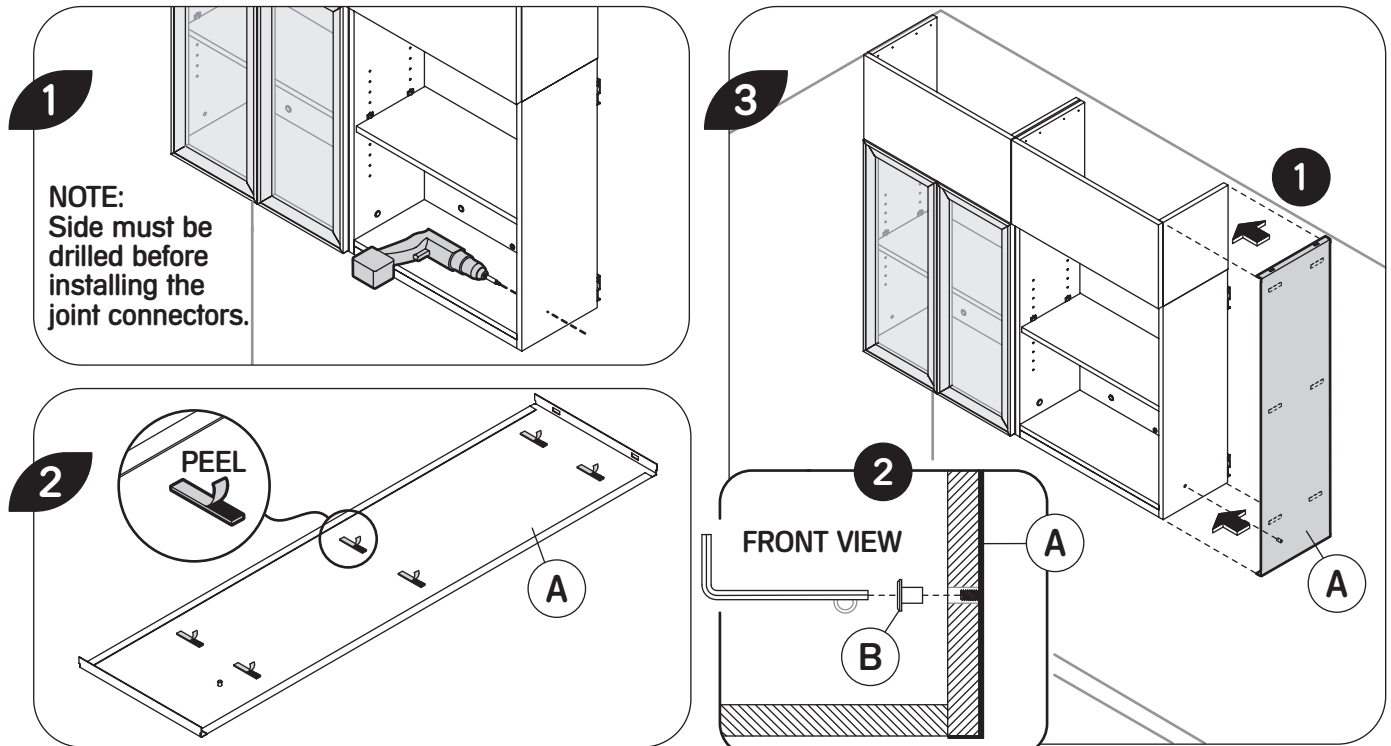
Ref.	Illustration	Description	Part No. / Prod. Code	Qty.
A		Metal End Panel	N80-80068 +dd+hhL* or N80-80068 +dd+hhR*	1
B		1/4" - 20 x 17 mm Joint Connector Nut, Chrome	415109	1

RHALEP - Part / Product Identification and What's Included

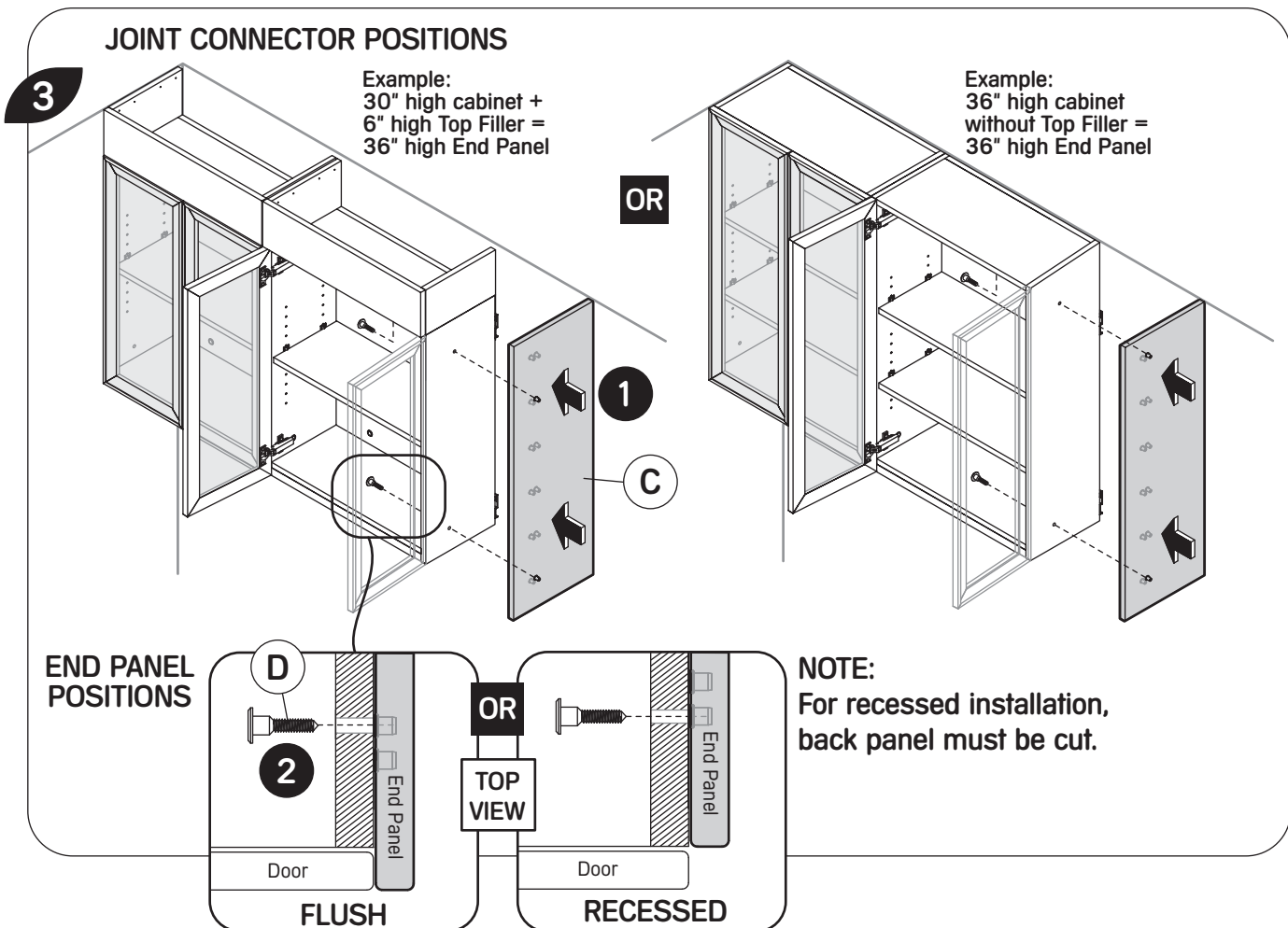
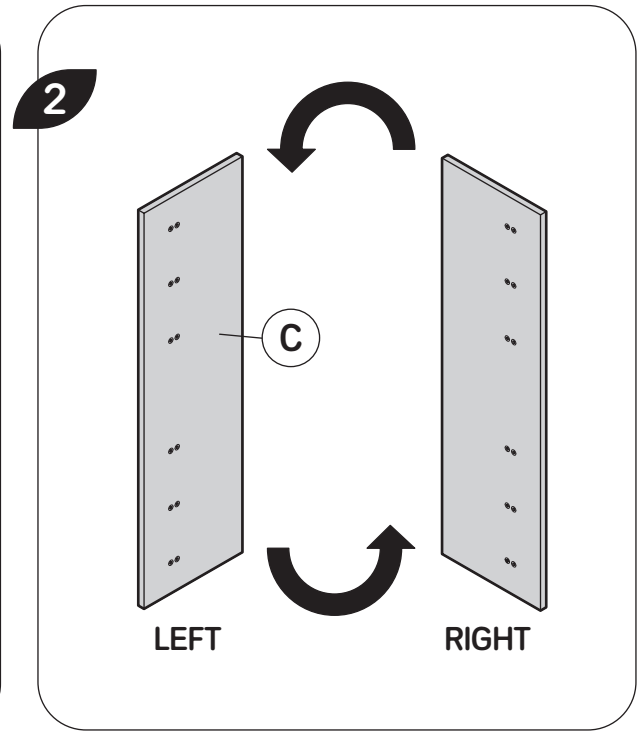
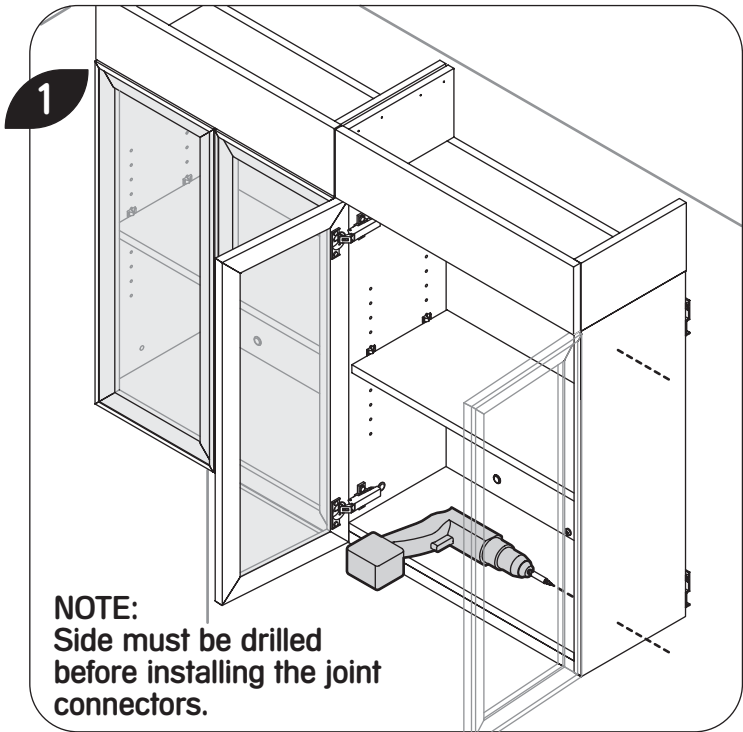
Ref.	Illustration	Description	Part No. / Prod. Code	Qty.
C		Laminate End Panel (non-handed)	H10APddhh*	1
D		1/4" - 20 x 30 mm Joint Connector Bolt, Chrome	415108	2

* dd = Depth and hh = Height

METAL END PANEL INSTALLATION



LAMINATE END PANEL INSTALLATION



Section – **Accessories**

RHAFB – Side Filler for Base and Storage Cabinets

Product




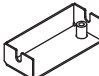




RHAFB

TOOLS REQUIRED:

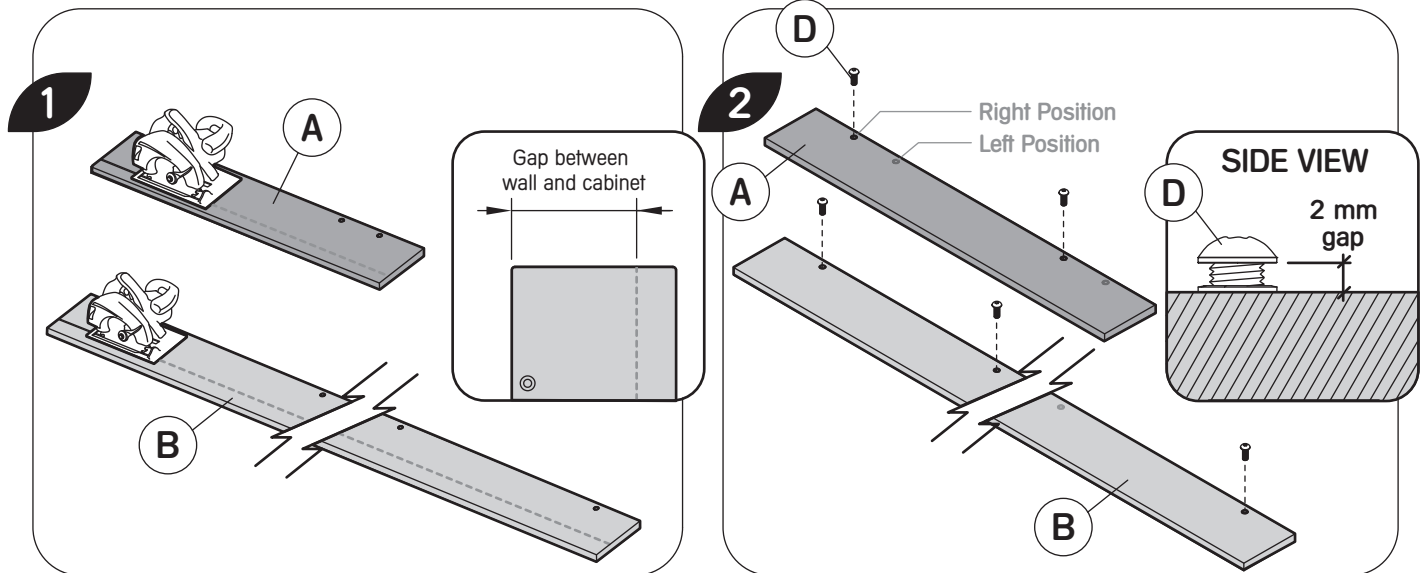
5 mm and 5/32" Hexagonal Keys, and Circular Saw

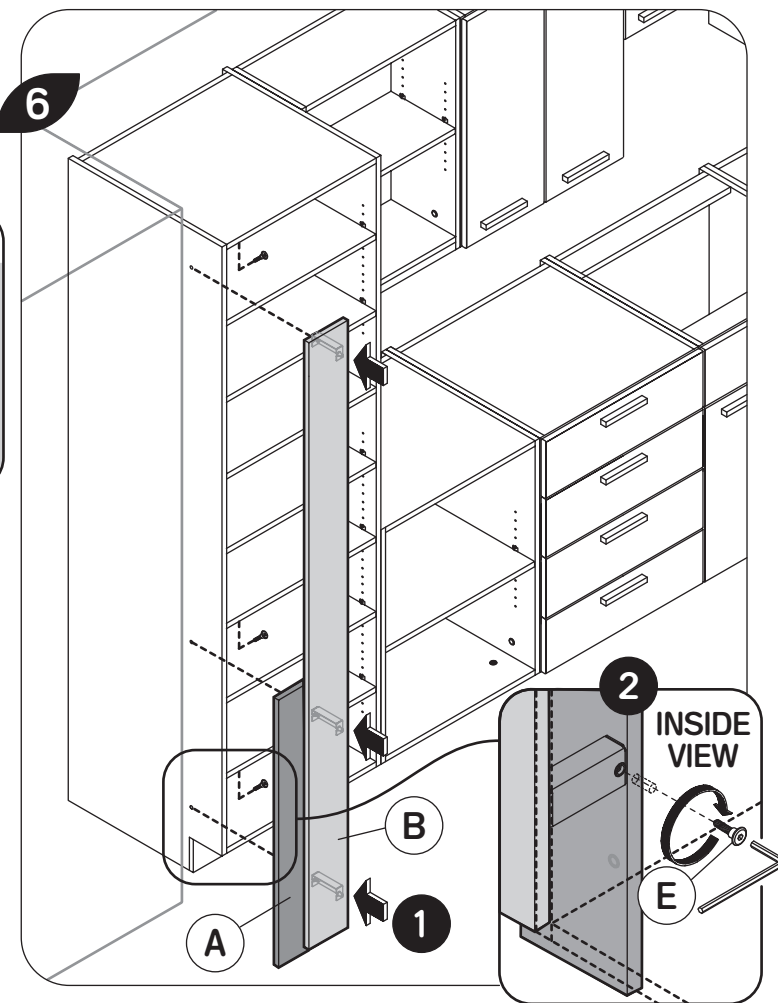
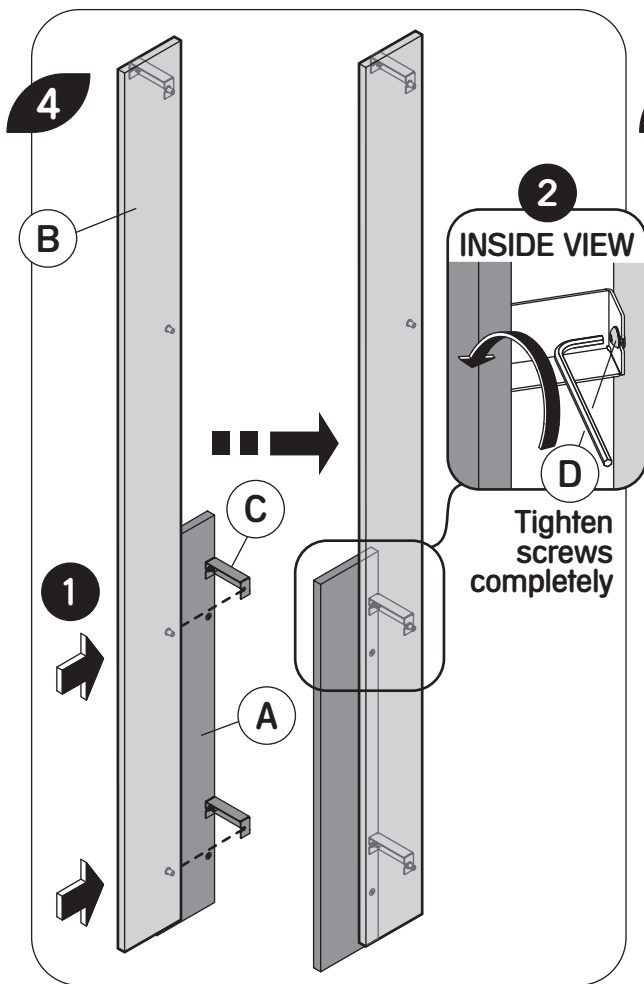
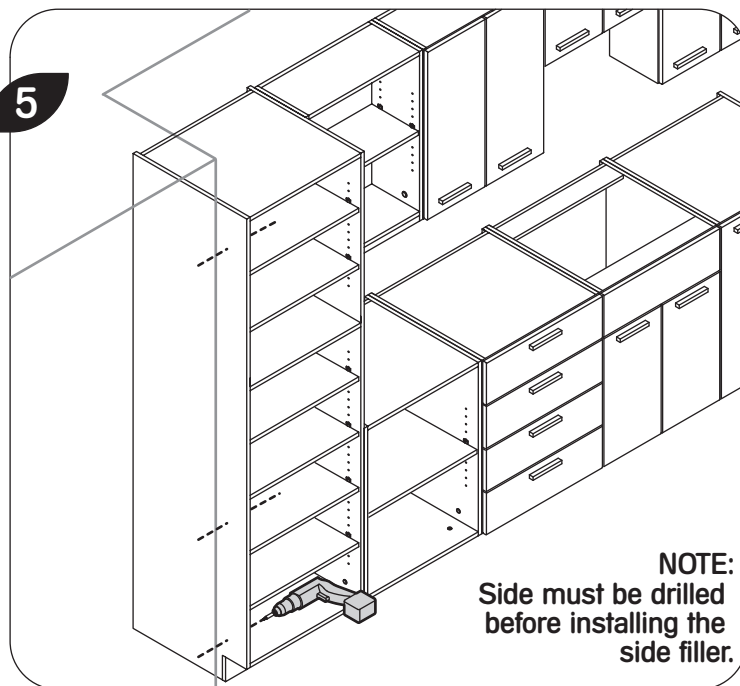
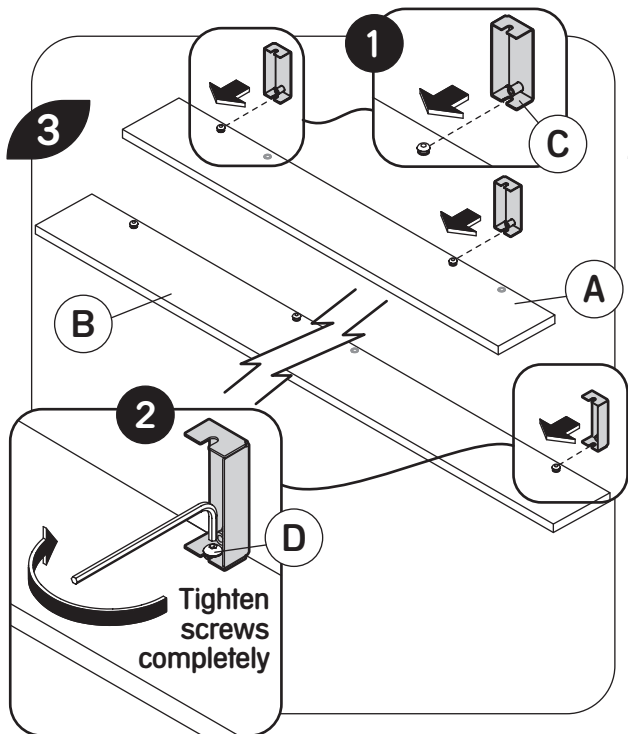
RHAFB - Part / Product Identification and What's Included

Ref.	Illustration	33" Height	35" Height	54" to 84" Heights
		Quantity		
A	 Back Panel H03AB0633 or  H03AB0635	1	0	0
		0	1	1
B	 Front Panel H10AB06hh*	1	1	1
C	 Bracket N80-80145	2	2	3
D	 1/4" - 20 x 5/8" Button Head Cap Screw E01-50658	4	4	5
E	 1/4" - 20 x 30 mm Joint Connector Bolt, Chrome 415108	2	2	3

* hh = Actual part height; subtract 4" from nominal height

SIDE FILLER FOR BASE AND STORAGE CABINETS – INSTALLATION

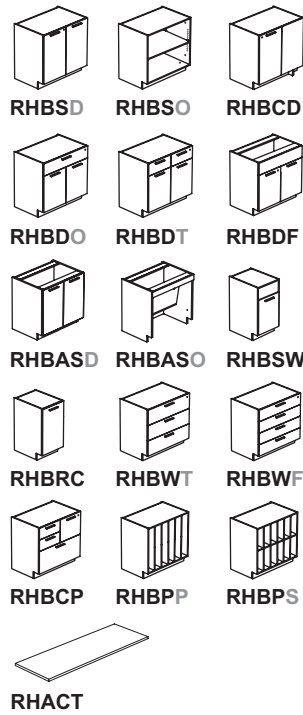




Section – **Base Cabinets**

RHBS, RHBCD, RHBD, RHBD, RHBAS, RHBSW, RHBW, RHBCP, and RHBP – Base Cabinets

Product



TOOLS REQUIRED:
 Cross or Square Drive #2,
 5 mm Hexagonal Key, Flat Drive,
 Level, Sealant and Sealant Gun

BASE CABINETS - Part / Product Identification and What's Included

Ref.	Illustration	Description	Part No. / Prod. Code	Qty.	Kit No. / Assy. No.
A		#1/4" - 20 x 30 mm Joint Connector Bolt, Chrome	415108	2	X80-80003 or X80-76004 (for RHBAS_ only)
		or #1/4" - 20 x 35 mm Joint Connector Bolt, Chrome (for RHBAS_ only)	D02-50075		
B		#1/4" - 20 x 17 mm Joint Connector Nut, Chrome	415109	2	
C		#10" x 3 1/2" Square Wafer Head, Cabinet Screw, Zinc	E04-50108	2	
D		#8 x 1 1/2" Recex Pan Head, Wood Screw, Black (*Only used with Countertop Install.)	402101	4	
E		1/2" Nylon 6/6 Hole Plug, Binder Head, Black Matte finish	501514	4	
F		3/8" - 16 x Ø4", Leveler, Black	D03-50001	4	
G		19 mm White Shelf Support	D01-50013	As per Order	

For RHBCD only - Part / Product Identification and What's Included

Ref.	Illustration	Description	Part No. / Prod. Code	Qty.	Kit No. / Assy. No.
H		#8 x 5/8" Recex Pan Head, Wood Screw, Black	402100	3	X80-80004
I		Toe Kick Metal Plate	A15-80160	1	
J		4" x 4" Toe Kick for Corner Cabinet	H06BS0404	1	

For RHBASD only - Part / Product Identification and What's Included

Ref.	Illustration	Description	Part No. / Prod. Code	Qty.	Kit No. / Assy. No.
K		#8 x 5/8" Recex Pan Head, Wood Screw, Black	402100	8	X80-76000 + ww *
L		Metal Toe Kick	A15-76001L + ww * and A15-76001R + ww *	1	

* ww = Width


Reference Installation Guide:
 No. 1337 Modular Cabinets "Side Filler for Base and Storage Cabinets RHAFB"

For additional information on this installation contact Teknion | Roy & Breton **Technical Support**.

Section – **Base Cabinets**

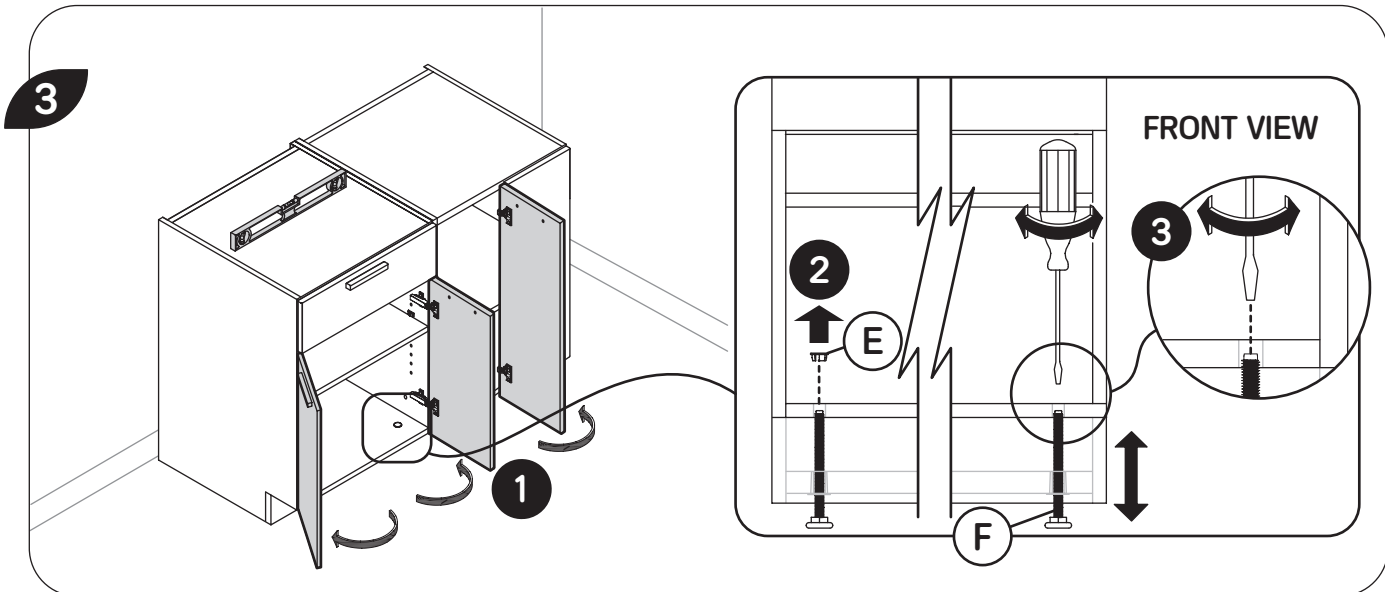
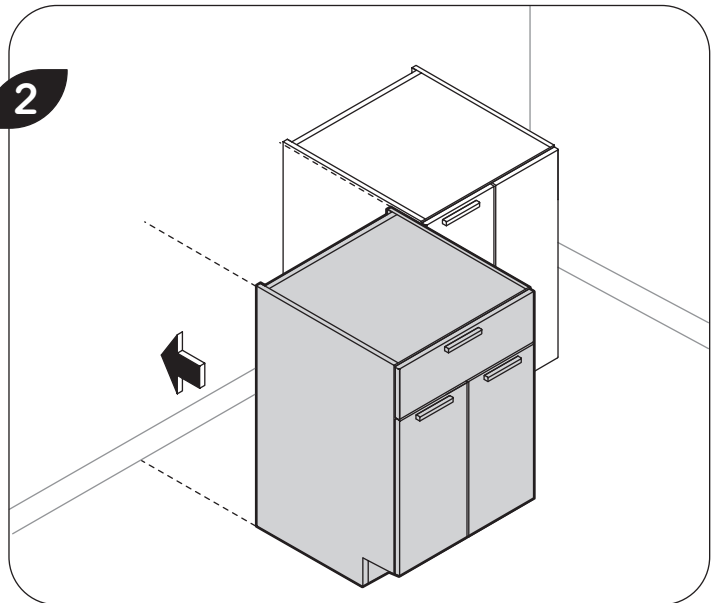
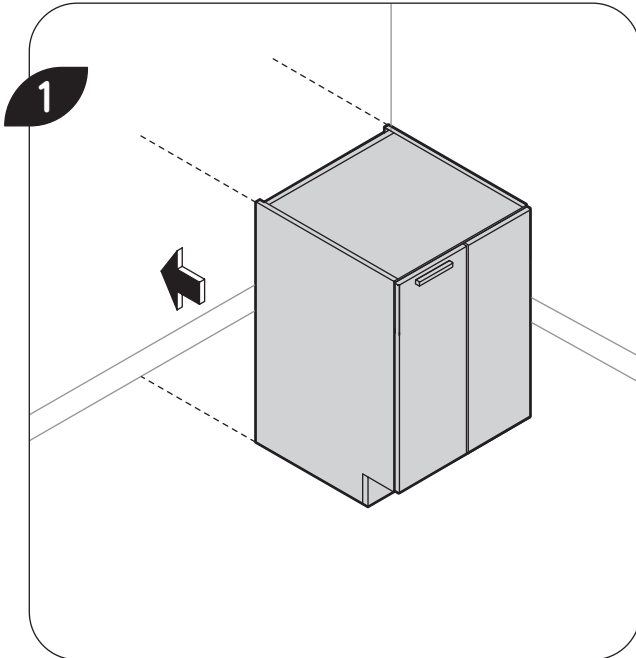
RHBS, RHBCD, RHBD, RHBDF, RHBAS, RHBSW, RHBW, RHBCP, and RHBP – Base Cabinets

RHACT - Part / Product Identification and What's Included

Ref.	Illustration	Description	Part No. / Prod. Code	Qty.	Kit No. / Assy. No.
M		Standard Countertop	RHACTS_	1	
		or Water Resistant Countertop	RHACTW_		

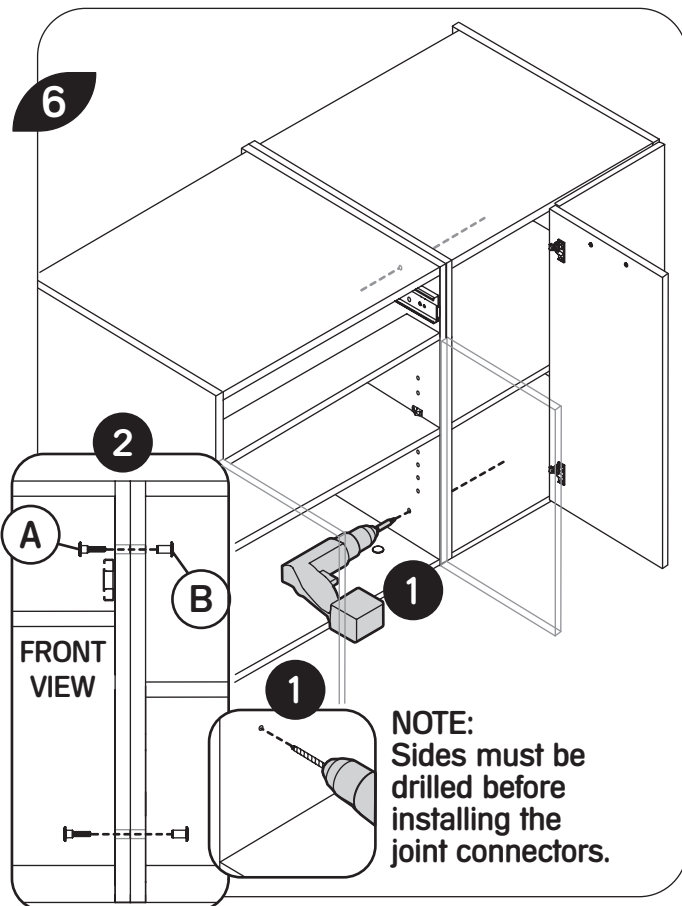
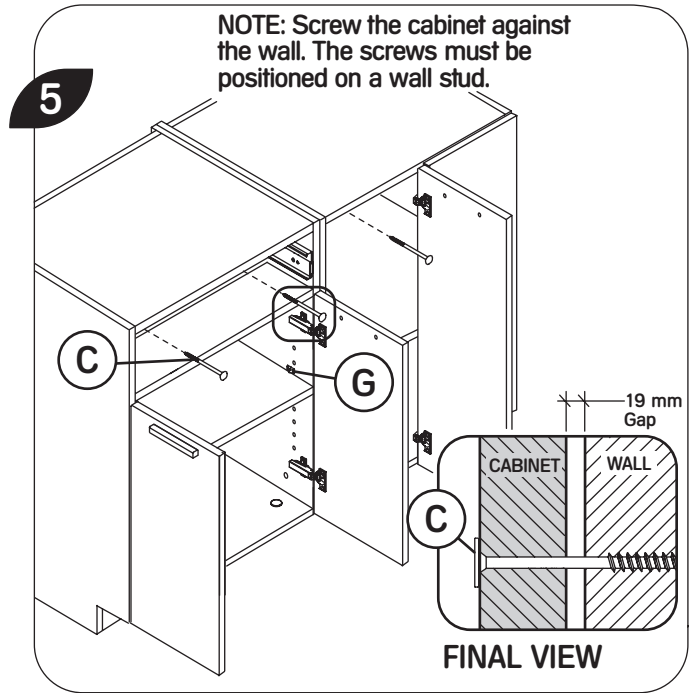
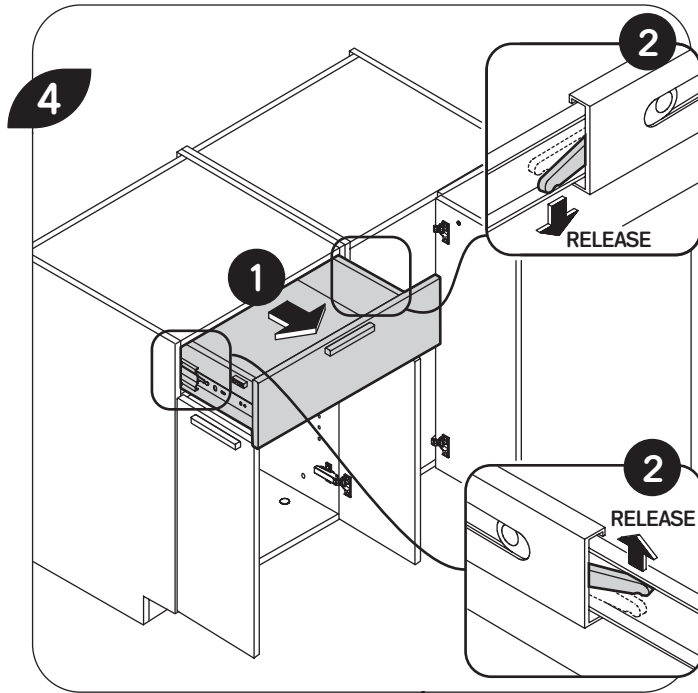
BASE CABINET INSTALLATION

MULTIPLE MOUNTING INSTALLATION

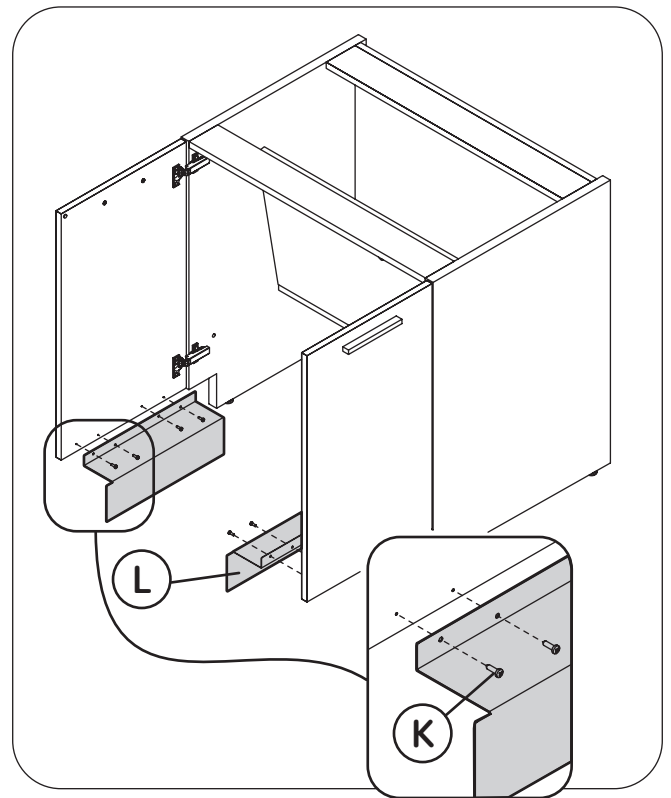


Section – **Base Cabinets**

RHBS, RHBCD, RHBD, RHBDF, RHBAS, RHBSW, RHBW, RHBCP, and RHBP – Base Cabinets



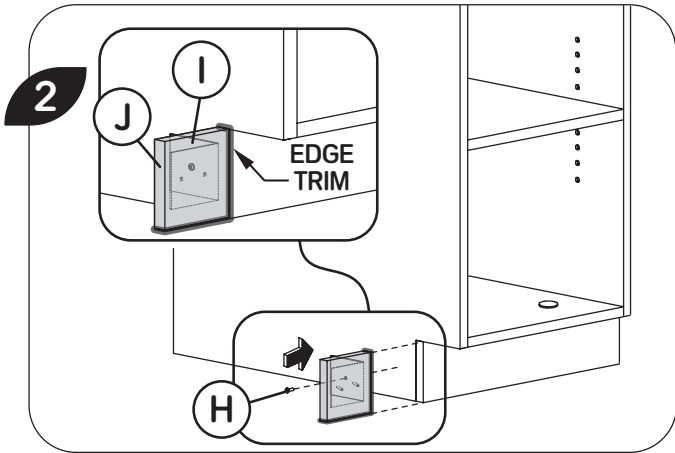
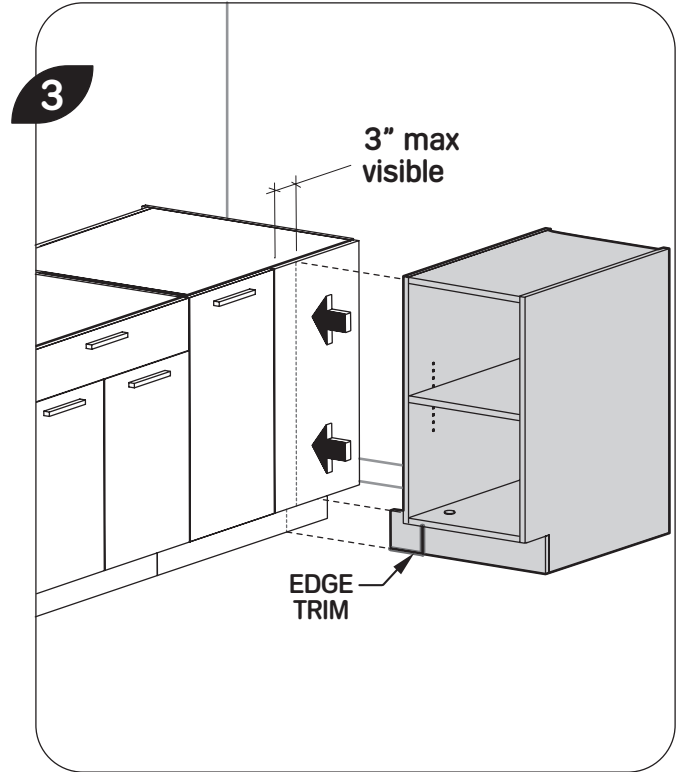
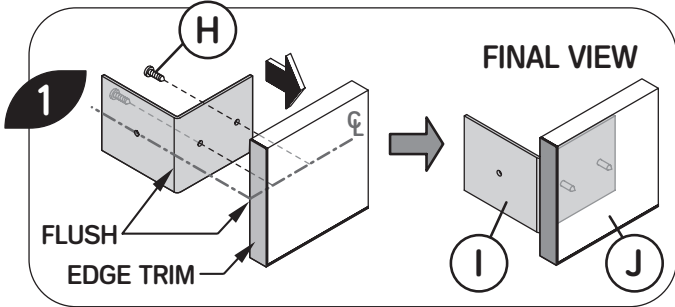
**METAL TOE KICK INSTALLATION
(FOR RHBASD ONLY)**



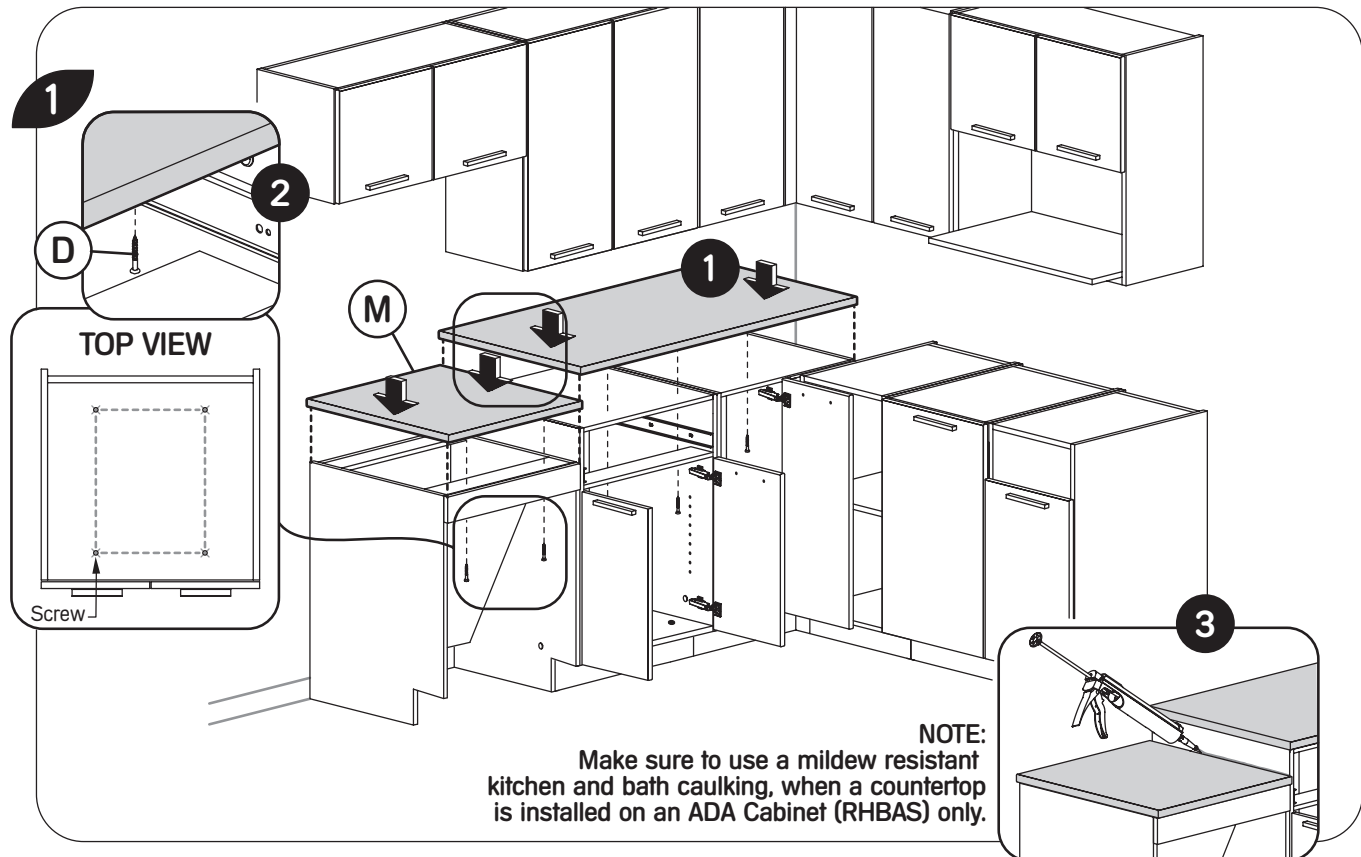
Section – **Base Cabinets**

RHBS, RHBCD, RHBD, RHBCD, RHBAS, RHBSW, RHBW, RHBCP, and RHBP – Base Cabinets

CORNER MOUNTING INSTALLATION



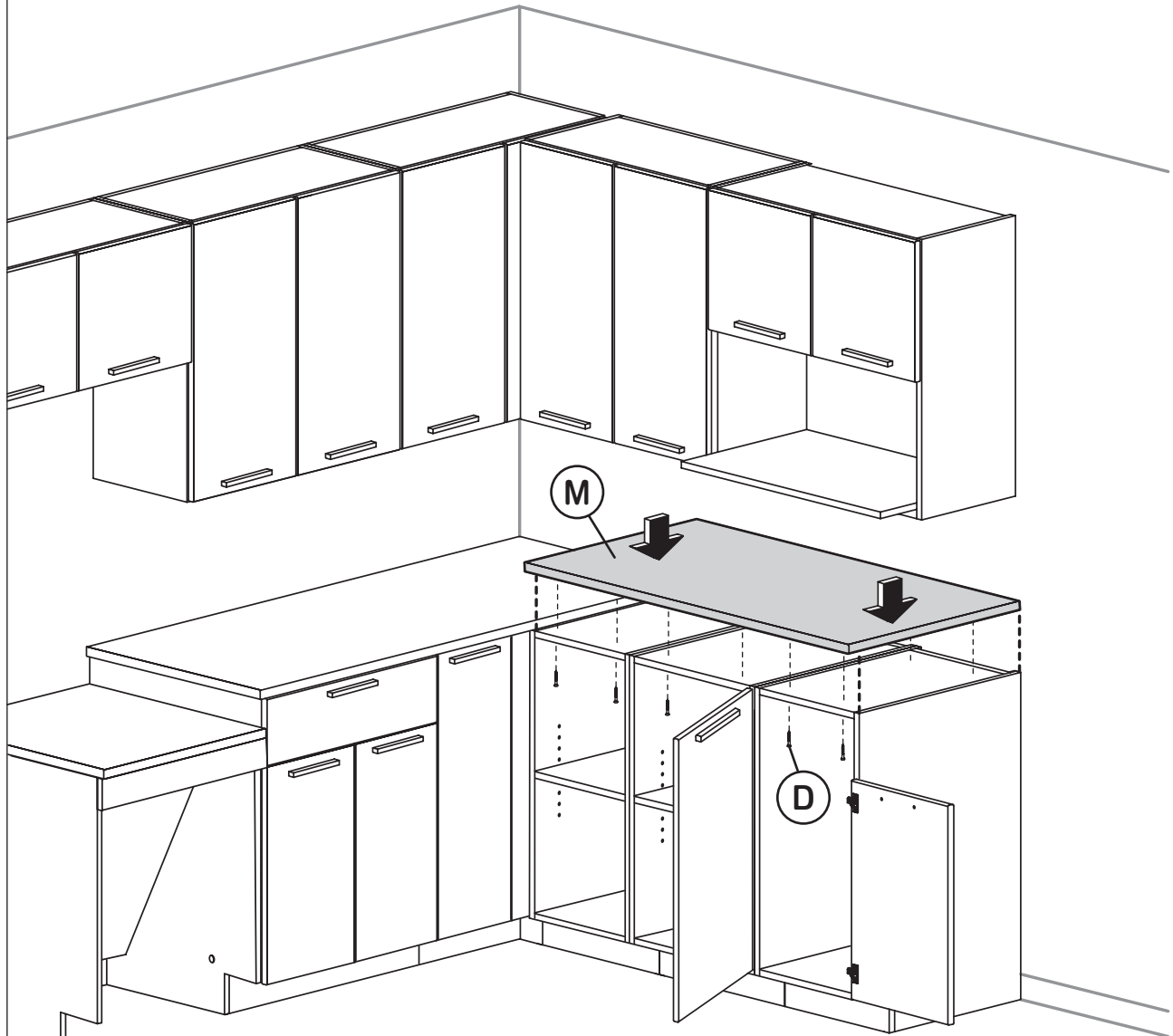
COUNTERTOP INSTALLATION



Section – **Base Cabinets**

RHBS, RHBCD, RHBD, RHBDF, RHBAS, RHBSW, RHBW, RHBCP, and RHBP – Base Cabinets

2

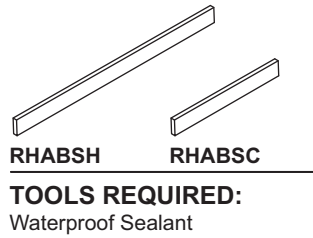


NOTE:
Repeat countertop installation
step 1 and step 2 for this countertop.
Repeat step 3, if applicable.

Section – **Accessories**

RHABSH – Backsplash
RHABSC – Sidesplash

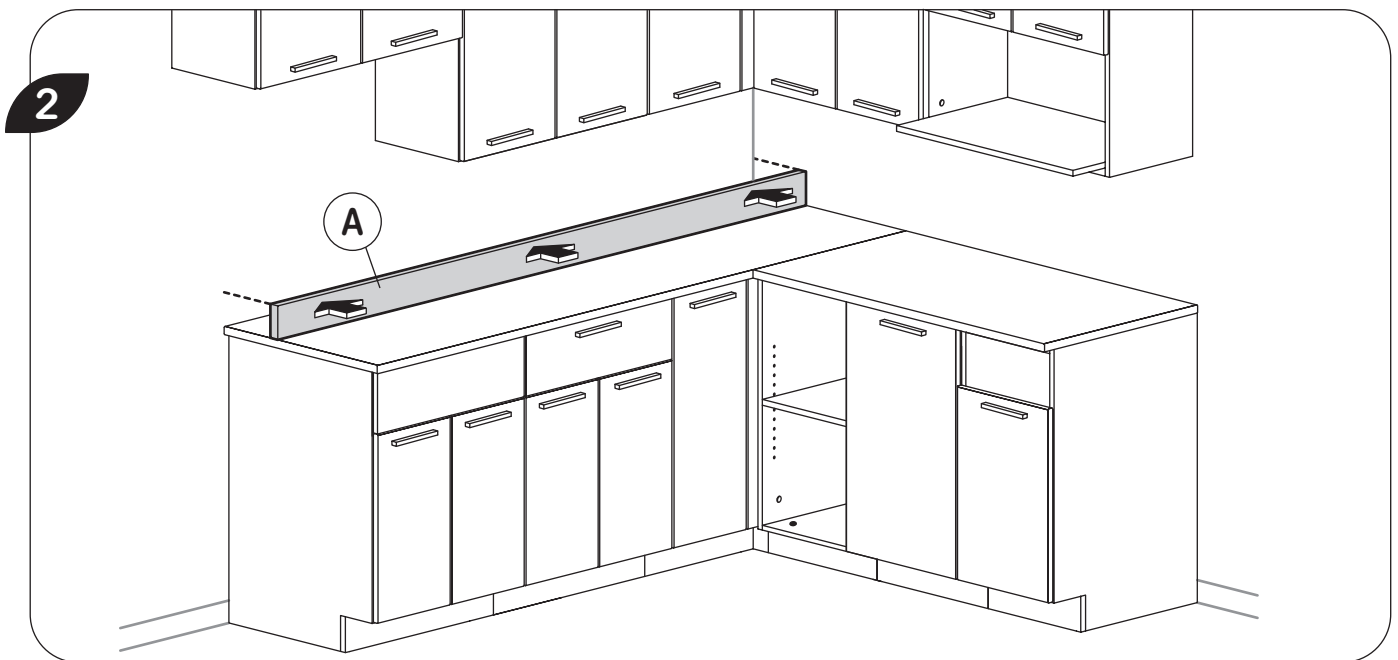
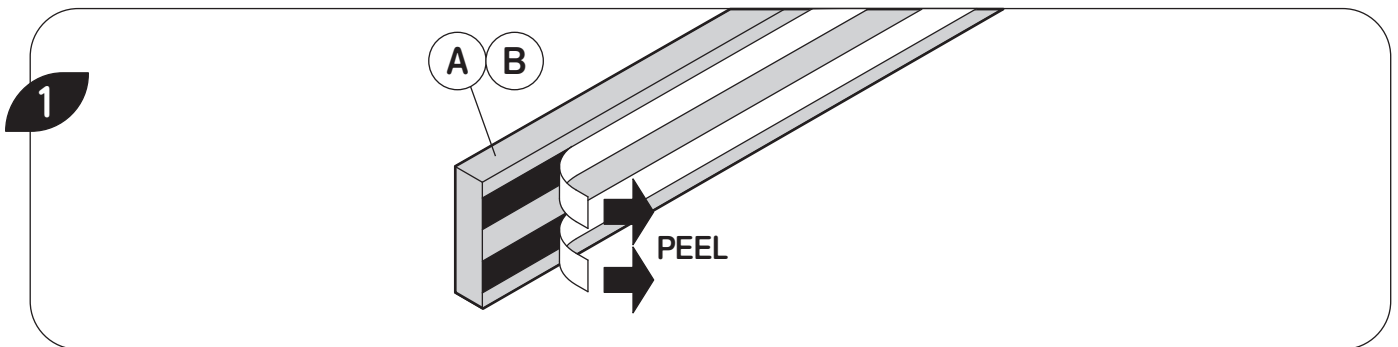
Product



RHABSH and RHABSC - Part / Product Identification and What's Included

Ref.	Illustration	Description	Part No. / Prod. Code	Qty.
A		Standard Backsplash	RHABSHS_	1
		or Water Resistant Backsplash	RHABSHW_	
B		Standard Sidesplash	RHABSCS_	1
		or Water Resistant Sidesplash	RHABSCW_	

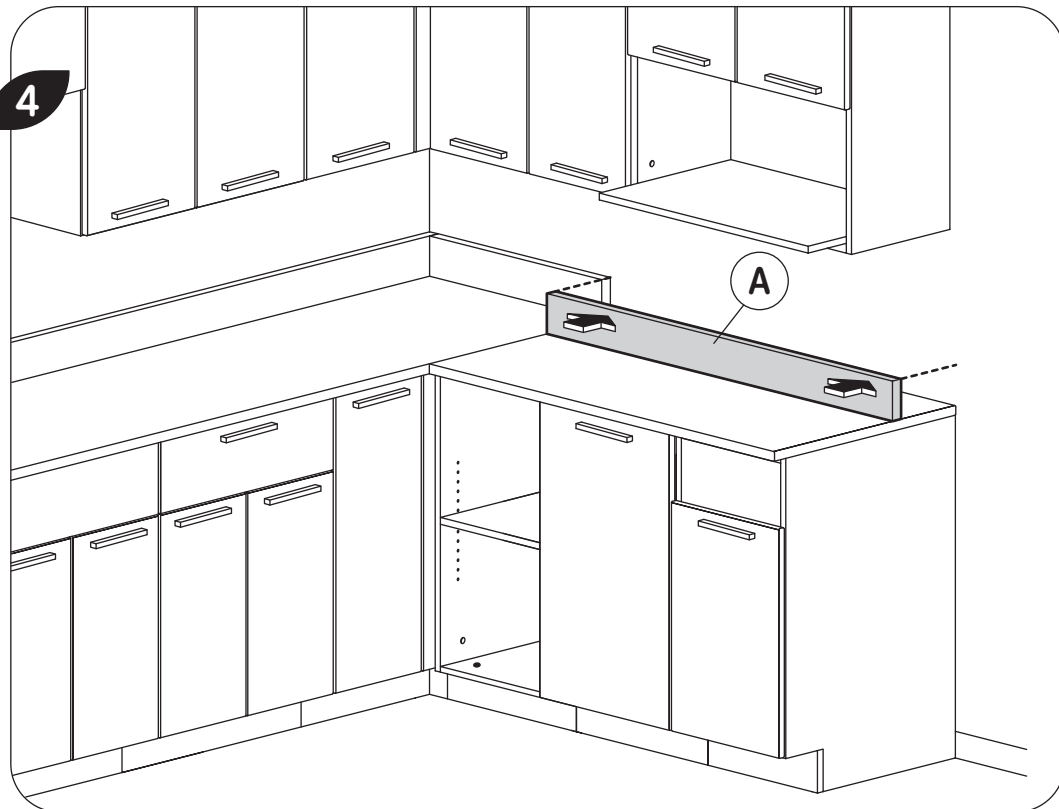
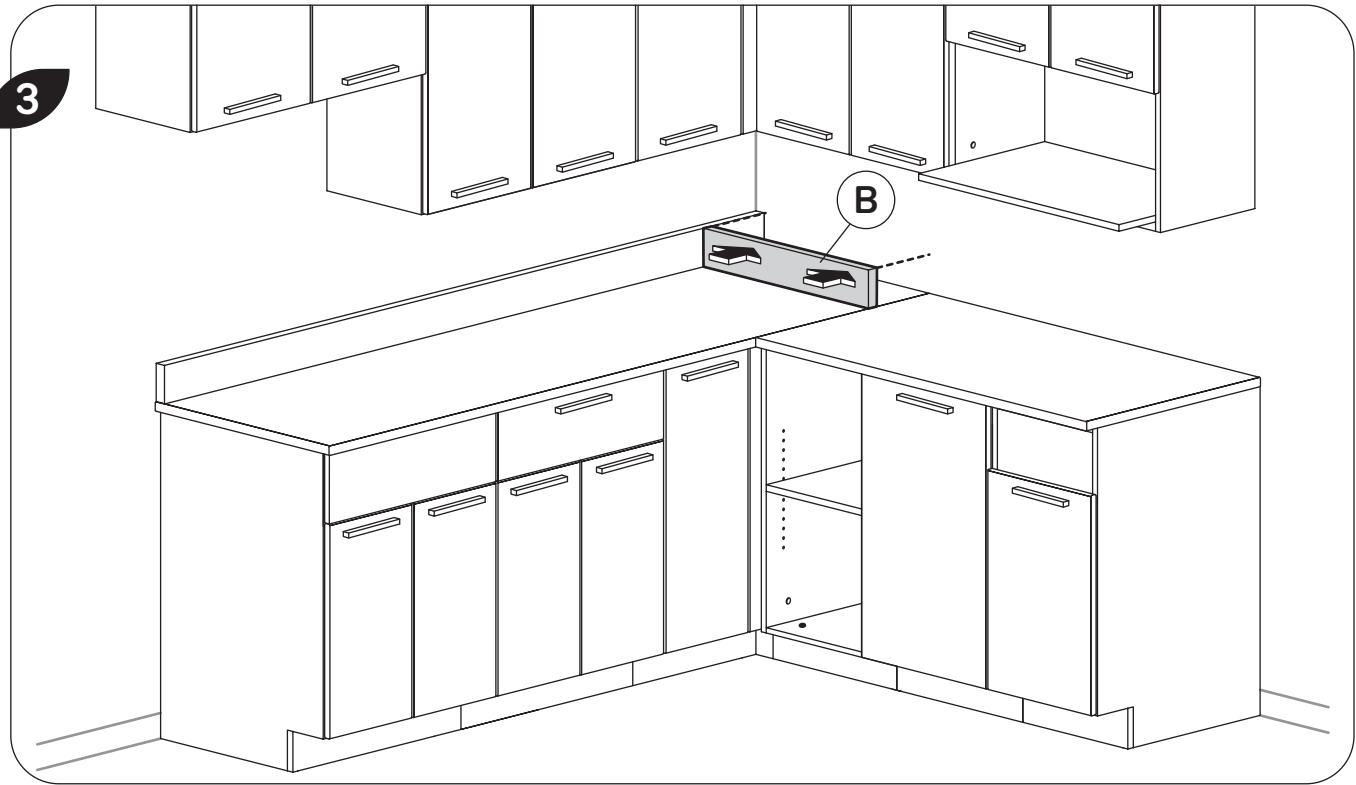
BACKSPLASH AND SIDESPLASH INSTALLATION



Section – Accessories

RHABSH – Backsplash
RHABSC – Sidesplash

No. 1343

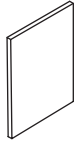


NOTE:
Seal all joints
with waterproof
sealant.

Section – **Accessories**

RHAEG – End Gable

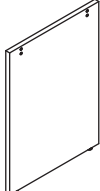


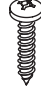
Product



RHAEG

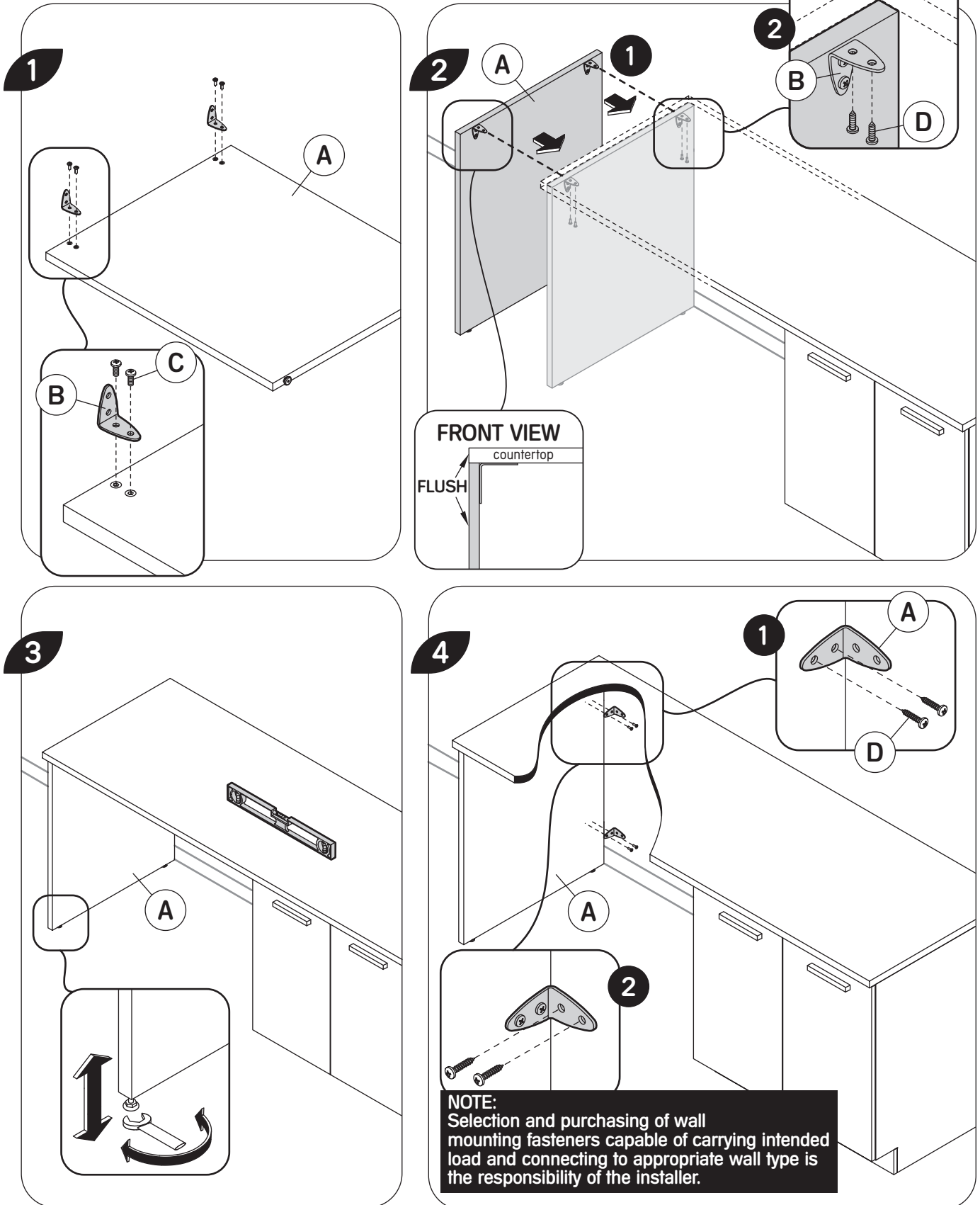
TOOLS REQUIRED:
Cross or Square Drive #3,
Level, and 5/8" Wrench

RHAEG - Part / Product Identification and What's Included

Ref.	Illustration	Description	Part No. / Prod. Code	Qty.
A		Gable	RGHAEGddhh*	1
B		Elliptical Bracket	A15-64031	4
C		1/4" - 20 x 5/8" Quadrex Pan Head, Mechanical Screw, Black	E01-50403	4
D		#12 x 3/4 Quadrex Pan Head, Wood Screw, Zinc	E04-50017	8

* **dd** = Depth and **hh** = Height

END GABLE INSTALLATION

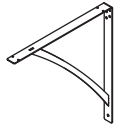


Section – **Accessories**

RHACTB – Countertop Bracket

No. **1345**

Product

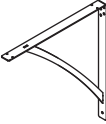



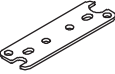



RHACTB

TOOLS REQUIRED:

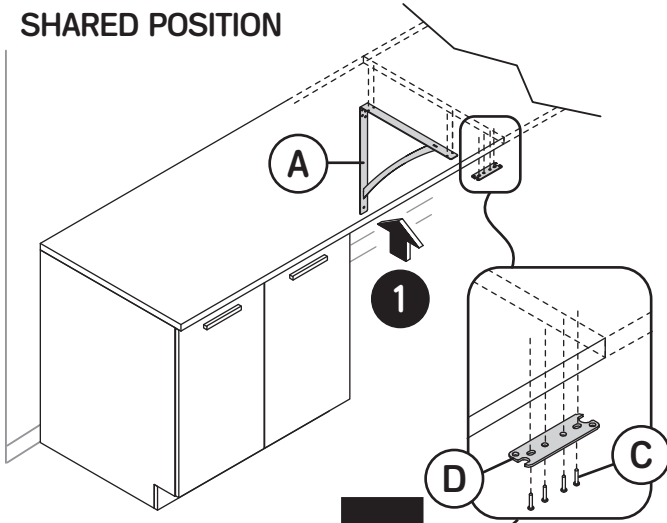
Cross or Square Drive #2 and #3 and Level

RHACTB - Part / Product Identification and What's Included

Ref.	Illustration	Description	Part No. / Prod. Code	Qty.	Kit No. / Assy. No.
A		Countertop Bracket	N80-76004	1	X80-76002
B		#8 x 1" Recex Pan Head, Wood Screw, Onyx Black	E04-50001	4	
C		#12 x 3/4" Quadrex Pan Head, Wood Screw, Zinc	E04-50017	2	KIT202
		#12 x 3/4" Quadrex Pan Head, Wood Screw, Zinc	E04-50017	6	
D		Linking Plate	A15-61233	2	
		1/4" – 20 x 5/8" Quadrex Pan Head, Mechanical Screw, Zinc	E01-50403	4	

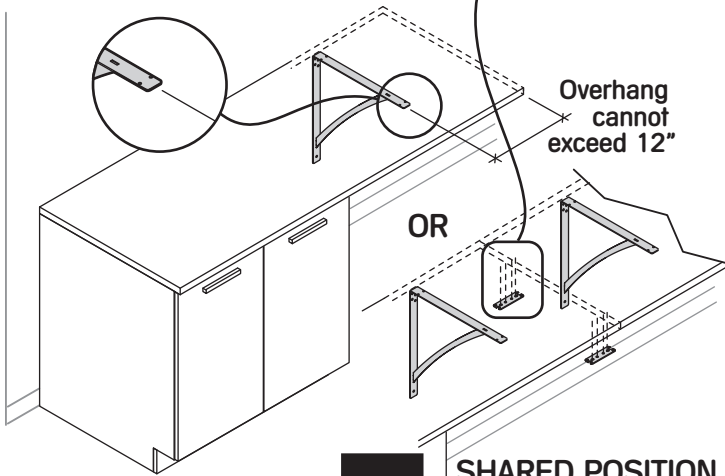
COUNTERTOP BRACKET INSTALLATION

SHARED POSITION



OR

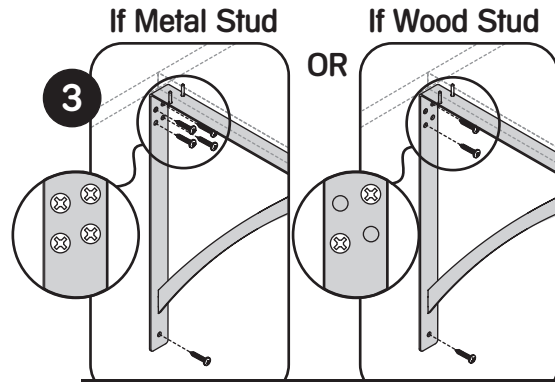
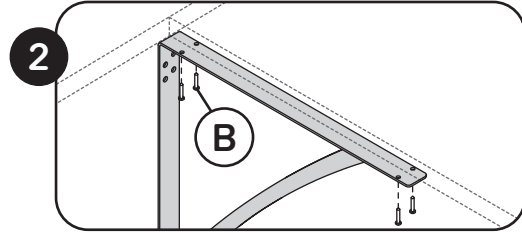
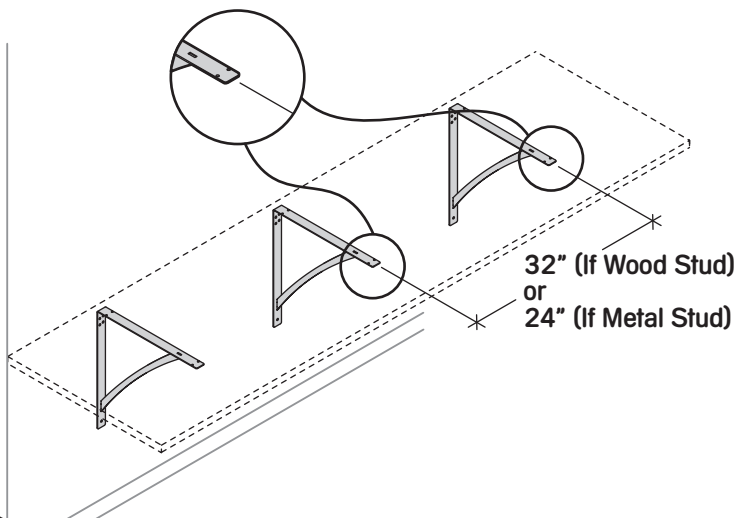
END POSITION



OR

SHARED POSITION

MULTIPLE BRACKETS



NOTE:
Selection and purchasing of wall mounting fasteners capable of carrying intended load and connecting to appropriate wall type is the responsibility of the installer.