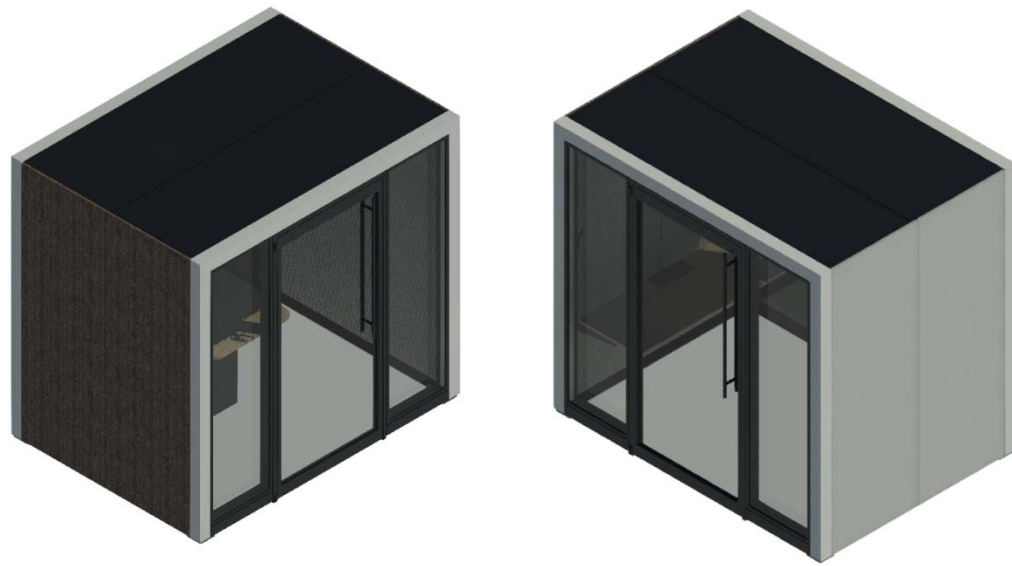


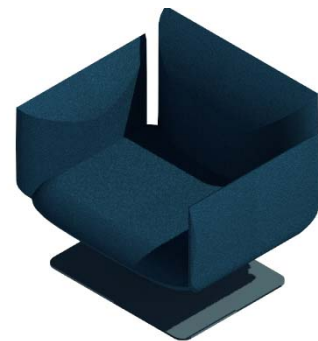
tek room new revit symbol

- New Configurable Architectural Walls Phone Booth.



studiotk new revit update

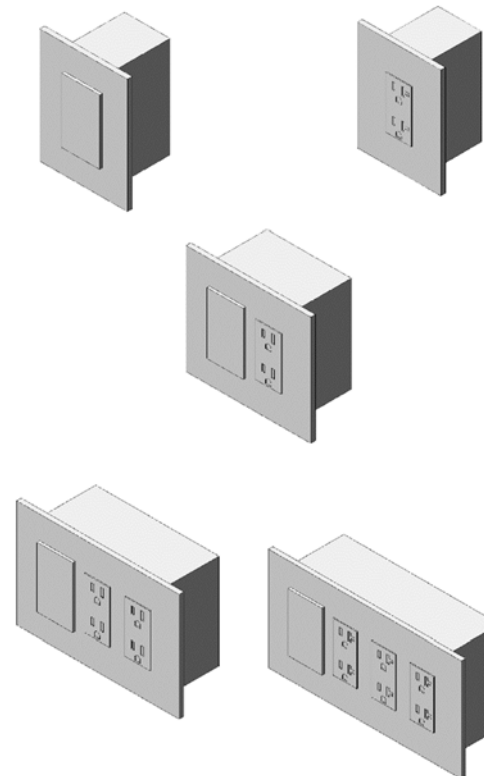
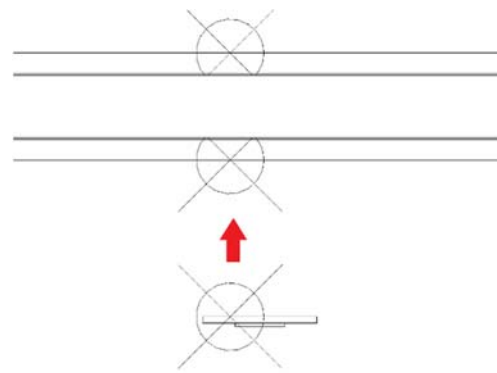
- New Seating and Table products
 - Adventura Seating (3 products)
 - Petal Seating (1 product)
 - Fractals Nook Table (1 product)



altos power plus new revit symbol

- New power data modules for Altos Portrait, Altos Tek Pier, and Altos Landscape.
- 5 products containing 26 configurations in total.

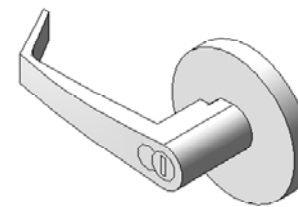
In Floorplan view, connect the node of the power modules to the node of the panel walls for correct placement.



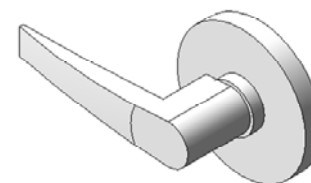
AL handle change new revit update

- AL Handles have been discontinued. New ALX Handles have been added to Altos, Optos, Focus, and Tek Vue.

-Type S Lever:



-Type J Lever:

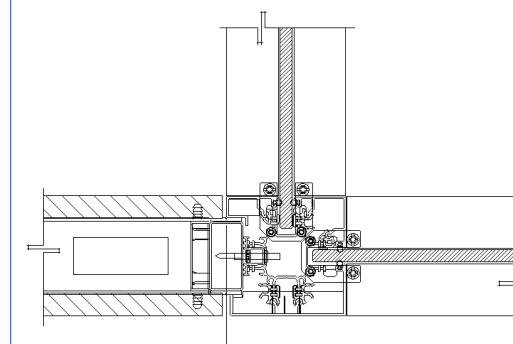
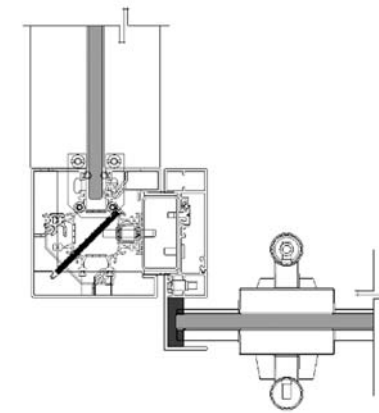


optos corner conn. new revit update

- New profile design for Optos Corner Connectors.

-18 products have been affected by this change.

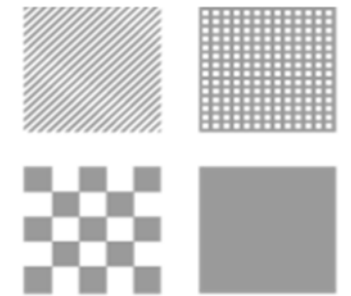
-Updated 2d detail components can be found in the 'OptosLP to Altos Detail Components' and 'OptosLP to OptosLP Detail Components' project files on the website.



fabrics & finishes new revit update

- New Upholstery Fabrics and Architectural Fabrics.

-Ample, Second Nature, Stratiform, Reticor, Fleece.



new studiotk sketchup products

- New application layouts containing products from Adventura, Fractals Nook, and Petal product lines. Models can be accessed [here](#).

I want them!

[January 2021 Content Download](#)

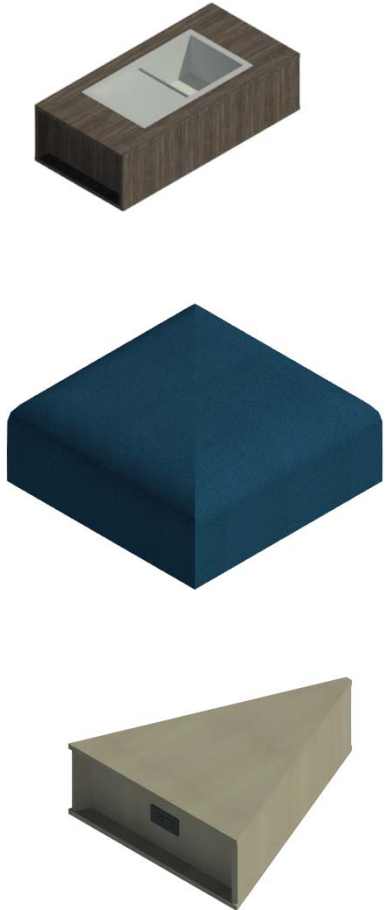
[Teknion's Revit Resources link](#)

[Teknion Material Library](#)

[Teknion Texture Images](#)

bonds seating new revit symbol

- New Seating product line containing 10 products.
- NBOTT (Table - Triangular)
- NBOSS (Seat - Strap Compatible)
- NBOTS (Table - Square)
- NBOTR (Table – Rectangular)
- NBOSF (Freestanding Single Block)
- NBOA (Auxiliary Table)
- NBOSN (Seat – Not Strap Compatible)
- NBOSD (Freestanding Double Block)
- NBOSK (Strap Kit)



arne seating new revit symbol

- New North56 Collection Seating product line containing 3 products.

- NAEU (Upholstered Seat)
- NAEU_ (Dual Upholstered)
- NAER (Non-Upholstered)



chez new revit symbol

- New North56 Collection Seating product line containing 8 products.

- NCLU (Stool - Upholstered Seat)
- NCSU (Side-Sit Chair – Upholstered Seat)
- NCSU_ (Side-Sit – Dual Upholstered)
- NCHU (Chair – Upholstered Seat)
- NCHU_ (Chair – Dual Upholstered)
- NCHE (Chair)
- NCSE (Sit Chair)
- NCHT (Stool)



schale new revit symbol

- New North56 Collection Seating product line containing 4 products.

- NSCT_ (Stool – Dual Upholstered)
- NCST (Stool – Upholstered Seat)
- NCSU_ (Chair – Dual Upholstered)
- NSCU (Chair – Upholstered Seat)



sicla new revit symbol

- New North56 Collection Seating product line containing 12 products.

- NSFU_ (Five Star Base – Full Upholstered)
- NSRU_ (Rocker Base – Full Upholstered)
- NSLU_ (Full Upholstered)
- NSWU_ (Wood Leg – Full Upholstered)
- NSRU (Rocker Base, Upholstered Seat)
- NWSA (Wood Legs)
- NSRA (Rocker Base)
- NSWU (Wood Leg, Upholstered Seat)
- NSFU (Five Star Base, Upholstered Seat)
- NSLA (Chair)
- NSFA (Chair, Five-Star Base)
- NSLU (Chair, Upholstered Seat)



visio chair new revit symbol

- New Seating mesh back chair.



I want them!

[January 2021 Content Download](#)

[Teknion's Revit Resources link](#)

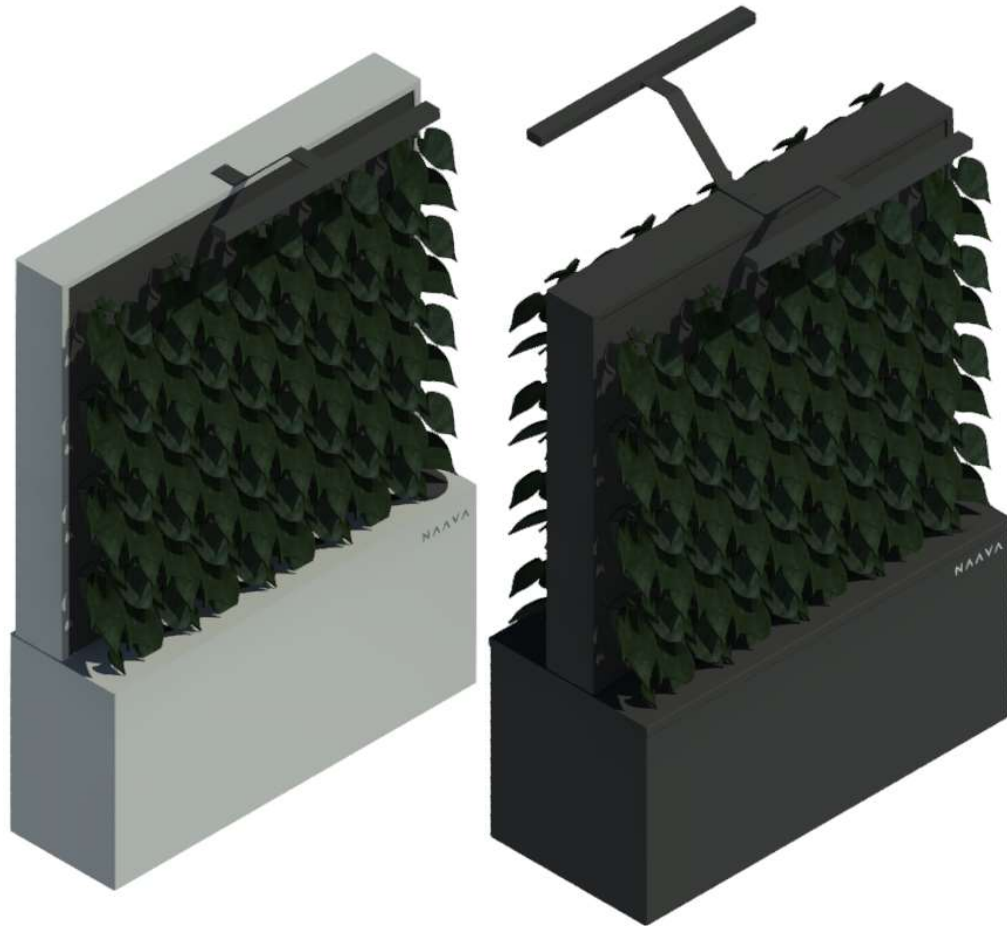
[Teknion Material Library](#)

[Teknion Texture Images](#)

teknion+NAAVA January 2021 new revit & sketchup content overview

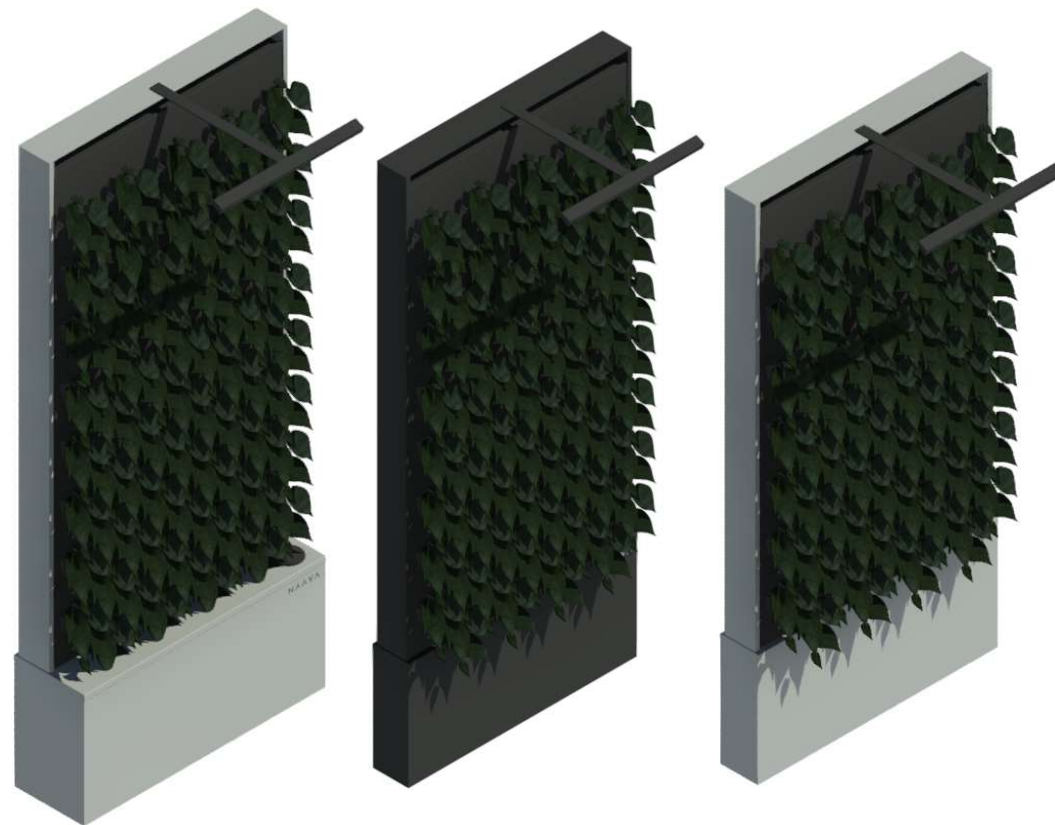
naava flow & flow duo updated revit symbols

- 2 updated living wall products created with 2 material finishes:
 - white & black
- Each product comes in one height:
 - 57"



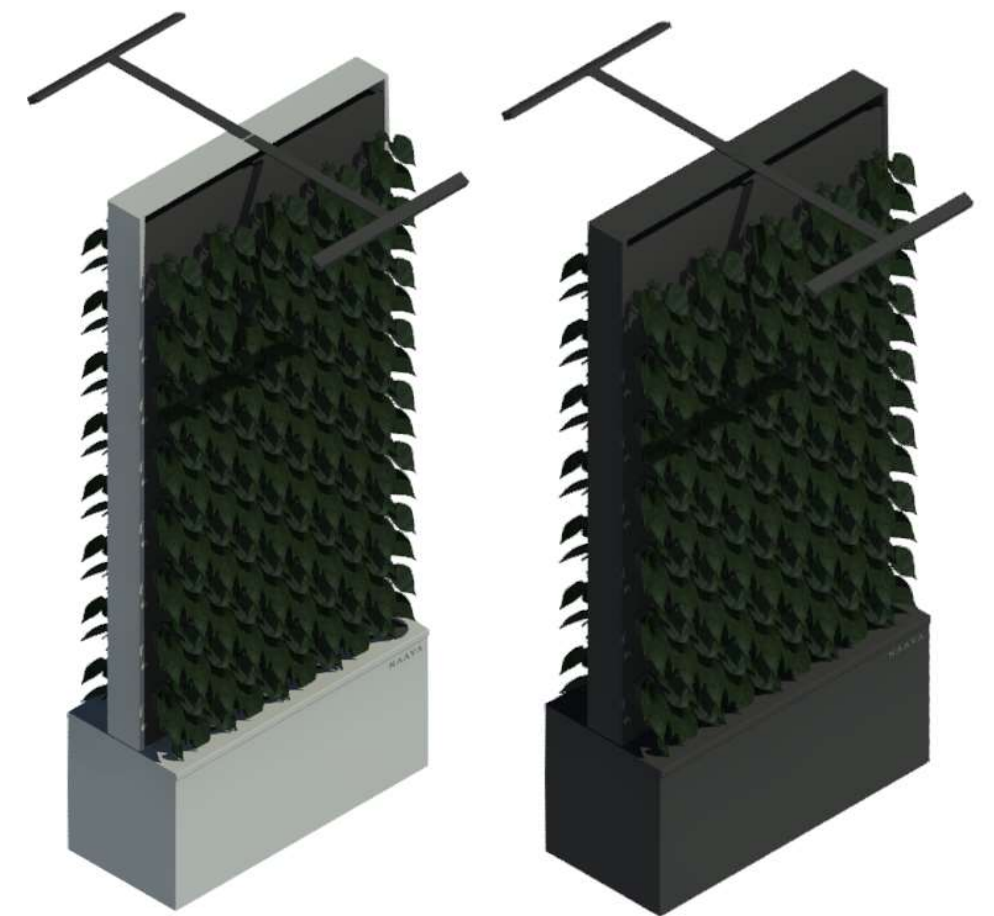
naava one & one slim updated revit symbols

- 2 updated living wall products created with 2 material finishes:
 - white & black
- Each product comes in two heights:
 - 83" & 91"



naava duo updated revit symbol

- 2 updated living wall products created with 2 material finishes:
 - white & black
- Each product comes in two heights:
 - 83" & 91"



updated sketchup products coming soon.

- 6 updated sketchup models created to represent the updated naava flow/flow duo/one/one slim/duo models

I want them!

- Sketchup models and layouts can be found on the sketchup warehouse [here](#).
- Revit models can be found and accessed through myteknion. Contact your Teknion representative for access to these models.