

jima seating



jima seating

product information

Offered through a partnership with Artifort in Schijndel, The Netherlands, Jima is a sleek, expressive chair that fits seamlessly into different worlds – home or office. Particularly noteworthy is the single, flowing line running from the top of the back, via the arms to the bottom of the seat. This makes it appear as if the seat cushion is locked in an embrace, providing ergonomic perfection and maximum comfort. Designed by Paris based Patrick Norguet.

Jima is available in three versions: a steel 4-legged base, an elegant swivel star-base, and a 5-legged height-adjustable swivel base with castors. The chair is offered in an extensive range of fabrics and colors, encouraging and accommodating any interior style.

Designer Patrick Norguet	Typology Guest and Conference Seating
Collection Studio TK	Year 2020

Collection



Fabrics & Finishes

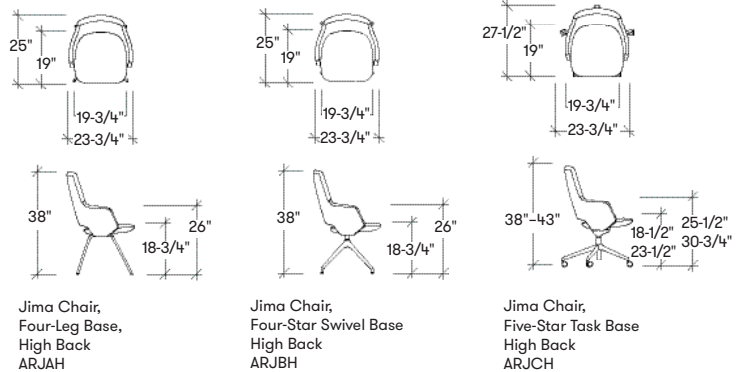
Upholstery
Seat can be finished in different fabrics available from Luum; com/col

4-Leg Base Finishes
Chrome and Fundamental and Fashion powdercoat finishes available

4-Star Base Finishes
Polished Aluminum and Fundamental and Fashion powdercoat finishes available

5-Star Base Finishes
Polished Aluminum and Fundamental and Fashion powdercoat finishes available

Dimensions



Studio TK
3940 US 70 Business Hwy, West
Clayton, North Carolina 27520, USA
Tel: 855.941.0262 / Fax: 919.464.2927
www.studiotk.com

©, TM Trademarks of teknion corporation and/or its subsidiaries or licensed to it. Patents may be pending. Some products may not be available in all markets. Contact your local Studio TK representative for availability.
CAN/US/INT 09-03 © Teknion 2020 Printed in Canada SS-095-0083EN

