

ACOUSTICS STANDARD DRAWING PACKAGE



NEW

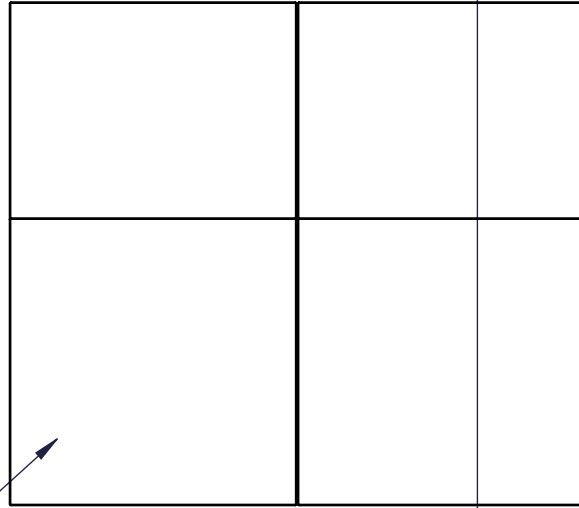


REVISED

PAGE	NAME	SCALE
ELEVATION 1 DRAWINGS		
EL 1	ELEVATION - ARTICULATE - SQUARE FLUSH & OFFSET LAYERED	1" = 1'-0"
A1	ARTICULATE - SQUARE FLUSH & OFFSET LAYERED - MOUNT AND LAYERING SPACING	3" = 1'-0"
ELEVATION 2 DRAWINGS		
EL 2	ELEVATION - ARTICULATE - SQUARE TILTED LAYERED	1" = 1'-0"
B1	ARTICULATE - SQUARE TILTED LAYERED - MOUNT AND LAYERING SPACING	3" = 1'-0"
ELEVATION 3 DRAWINGS		
EL 3	ELEVATION - ARTICULATE - DIAMOND FLUSH & OFFSET LAYERED	1" = 1'-0"
C1	ARTICULATE - DIAMOND FLUSH & OFFSET - MOUNT AND LAYERING SPACING	1 1/2" = 1'-0"
ELEVATION 4 DRAWINGS		
EL 4	ELEVATION - ARTICULATE - DIAMOND TILTED LAYERED	1" = 1'-0"
D1	ARTICULATE - DIAMOND TILTED LAYERED - MOUNT AND LAYERING SPACING	1 1/2" = 1'-0"
ELEVATION 5 DRAWINGS		
EL 5	ELEVATION - CLARIFY - INDEPENDENT	3/4" = 1'-0"
E1	CLARIFY - INDEPENDENT - HORIZONTAL RAILS & TOP TRIM	3" = 1'-0"
E2	CLARIFY - INDEPENDENT - VERTICAL TRIMS	3" = 1'-0"
ELEVATION 6 DRAWINGS		
EL 6	ELEVATION - CLARIFY - INTEGRATED	3/4" = 1'-0"
F1	CLARIFY - INTEGRATED - HORIZONTAL RAILS & TOP TRIM	3" = 1'-0"
F2	CLARIFY - INTEGRATED - VERTICAL TRIMS	3" = 1'-0"
RH	REVISION HISTORY	N.T.S

18 x 18
NOMINAL
TILE SIZE

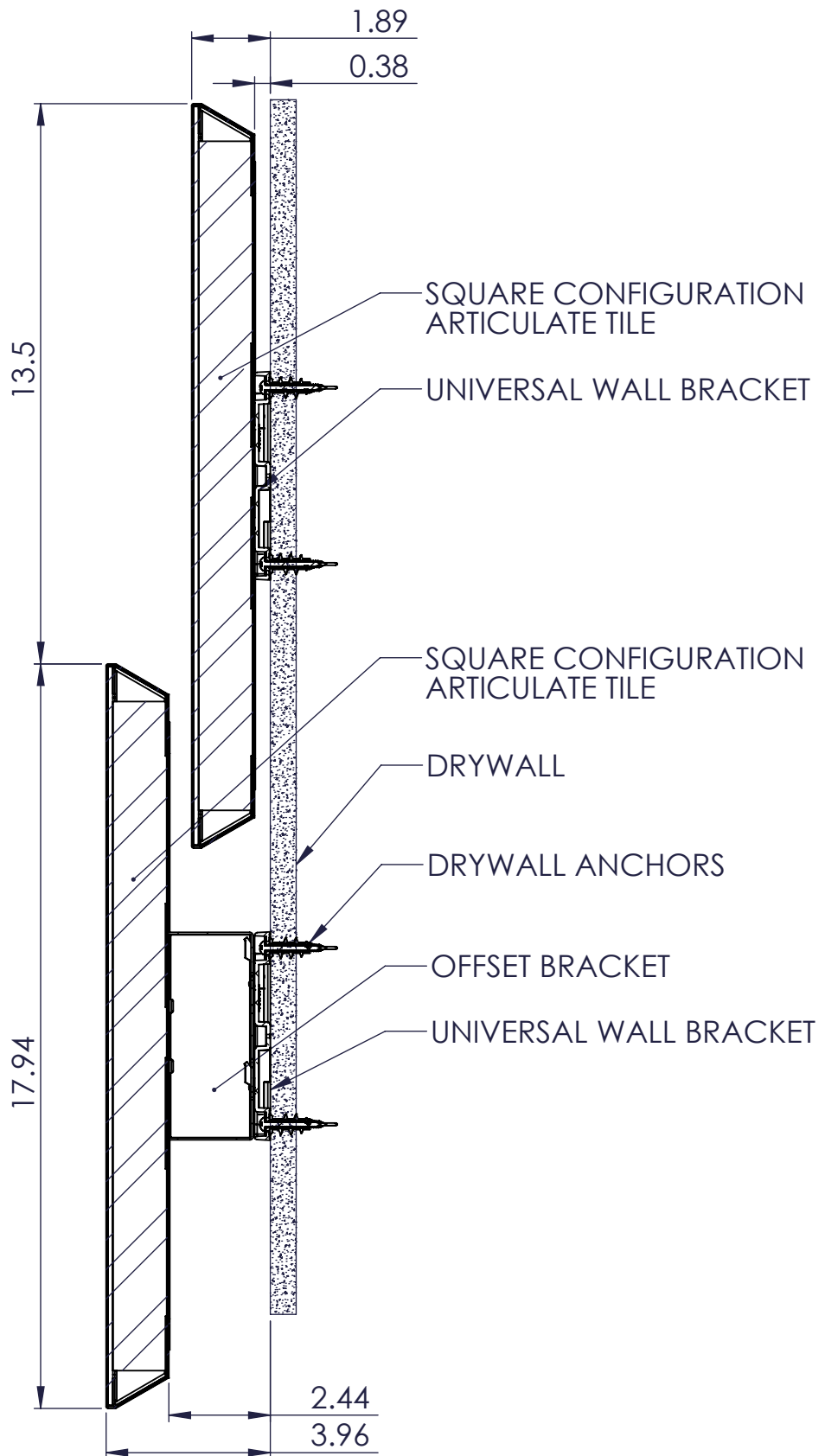
A1 ARTICULATE
SQUARE FLUSH & OFFSET LAYERED
MOUNT AND LAYERING SPACING



FLUSH TILE

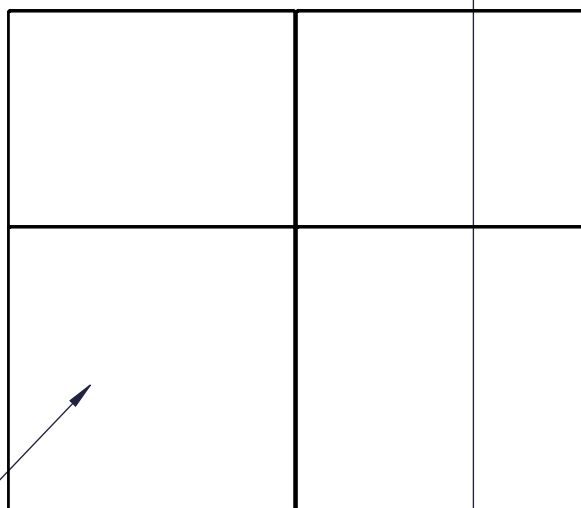
OFFSET TILE

① ELEVATION 1



① ARTICULATE - SQUARE FLUSH & OFFSET LAYERED - MOUNT AND LAYERING SPACING

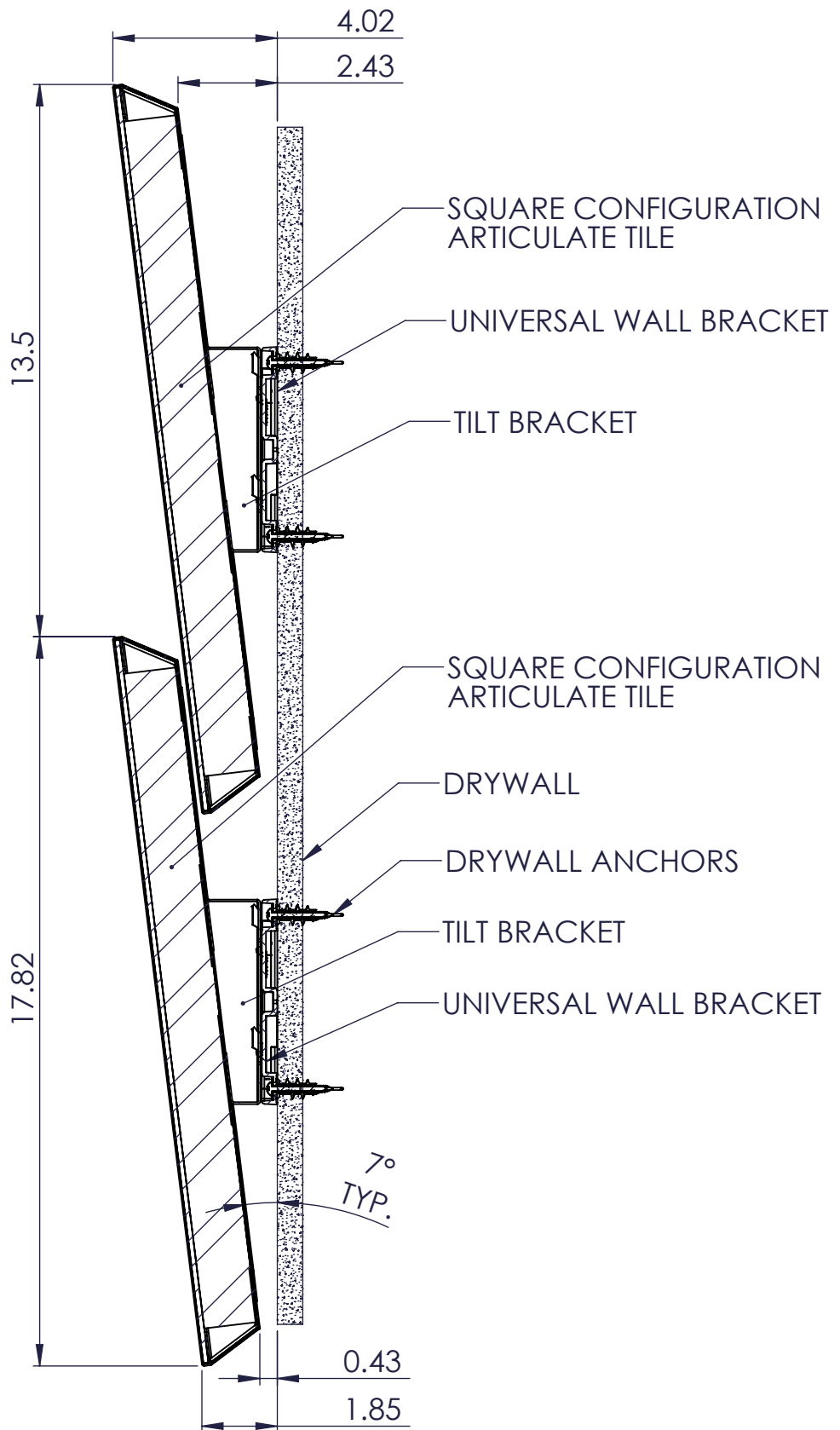
B1 ARTICULATE
SQUARE TILTED LAYERED
MOUNT AND LAYERING SPACING



18 x 18
NOMINAL
TILE SIZE

TILT DOWN TILES

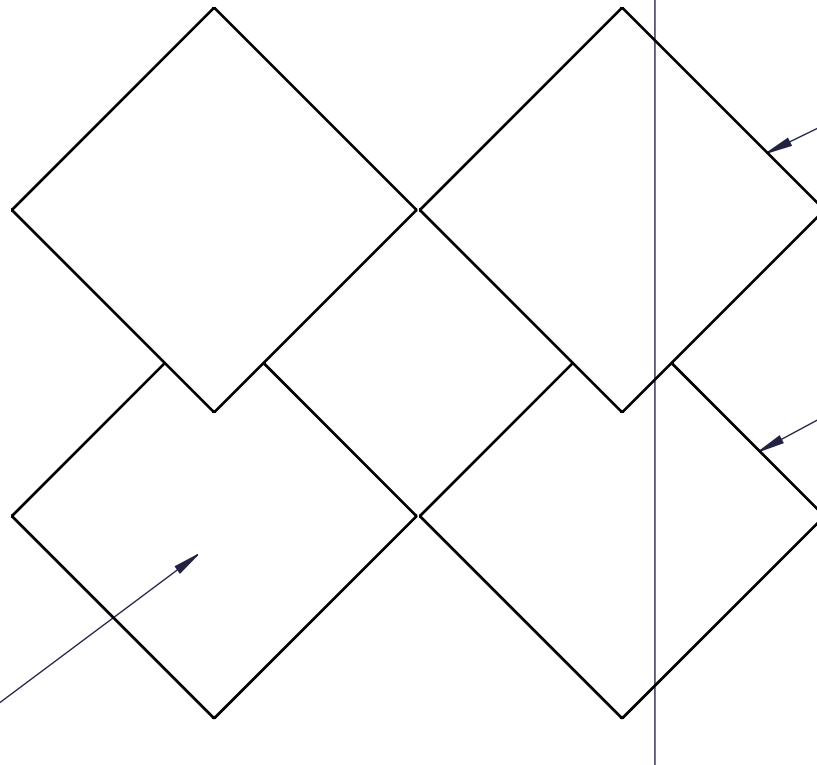
① ELEVATION 2



① ARTICULATE - SQUARE TILTED LAYERED - MOUNT AND LAYERING SPACING



ARTICULATE
DIAMOND FLUSH & OFFSET
MOUNT AND LAYERING SPACING



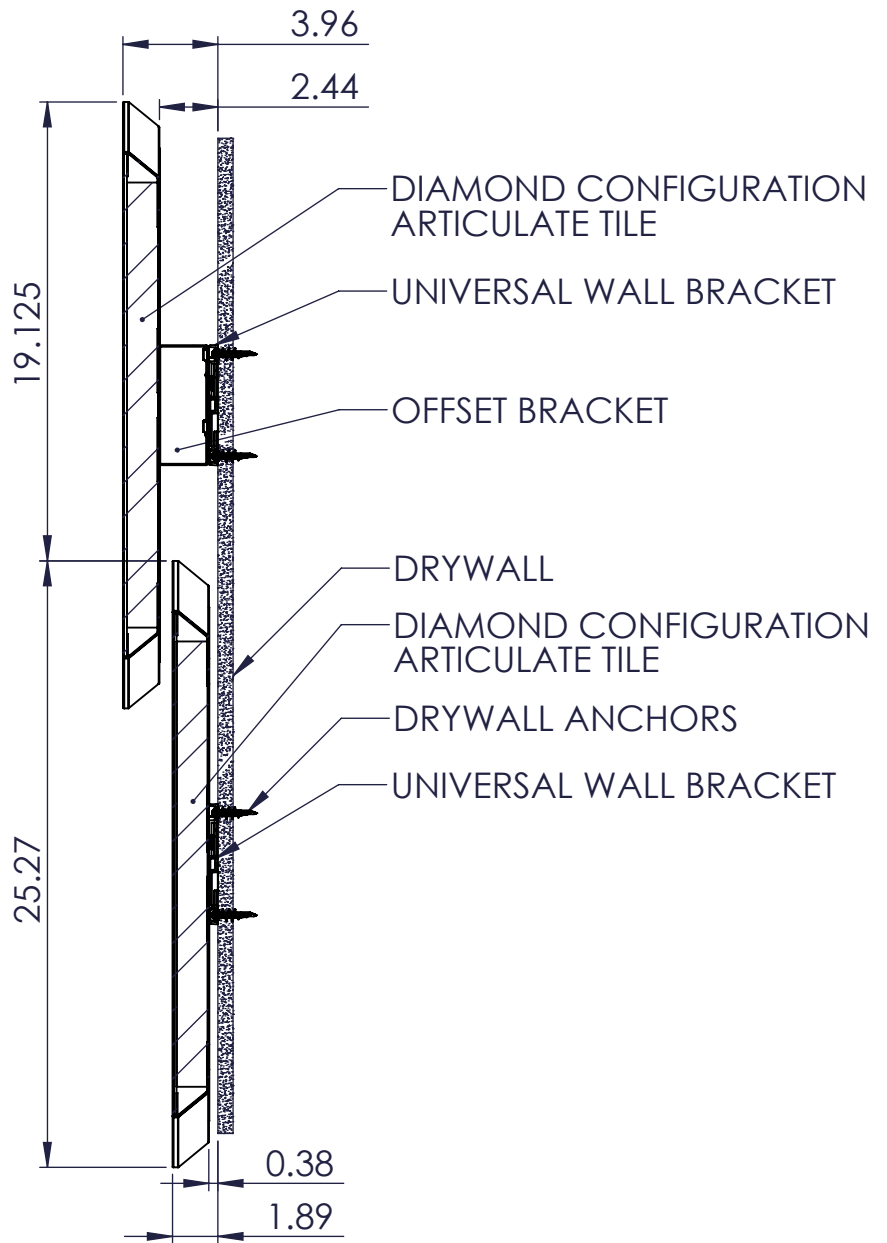
OFFSET TILE

FLUSH TILE

18 x 18
NOMINAL
TILE SIZE



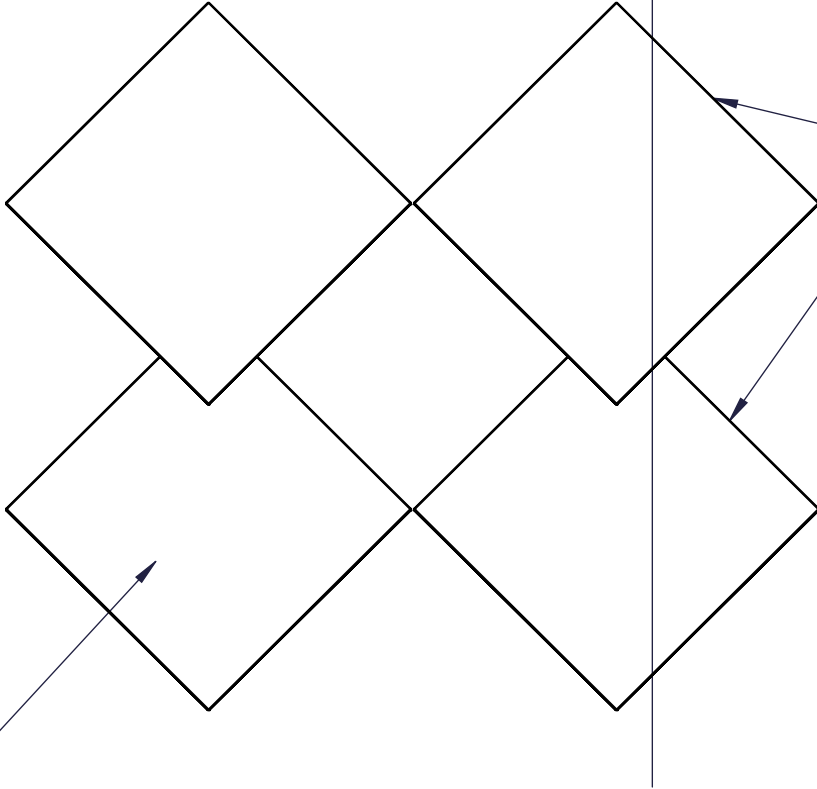
ELEVATION 3



① ARTICULATE - DIAMOND FLUSH & OFFSET - MOUNT AND LAYERING SPACING



ARTICULATE
DIAMOND TILTED LAYERED
MOUNT AND LAYERING SPACING

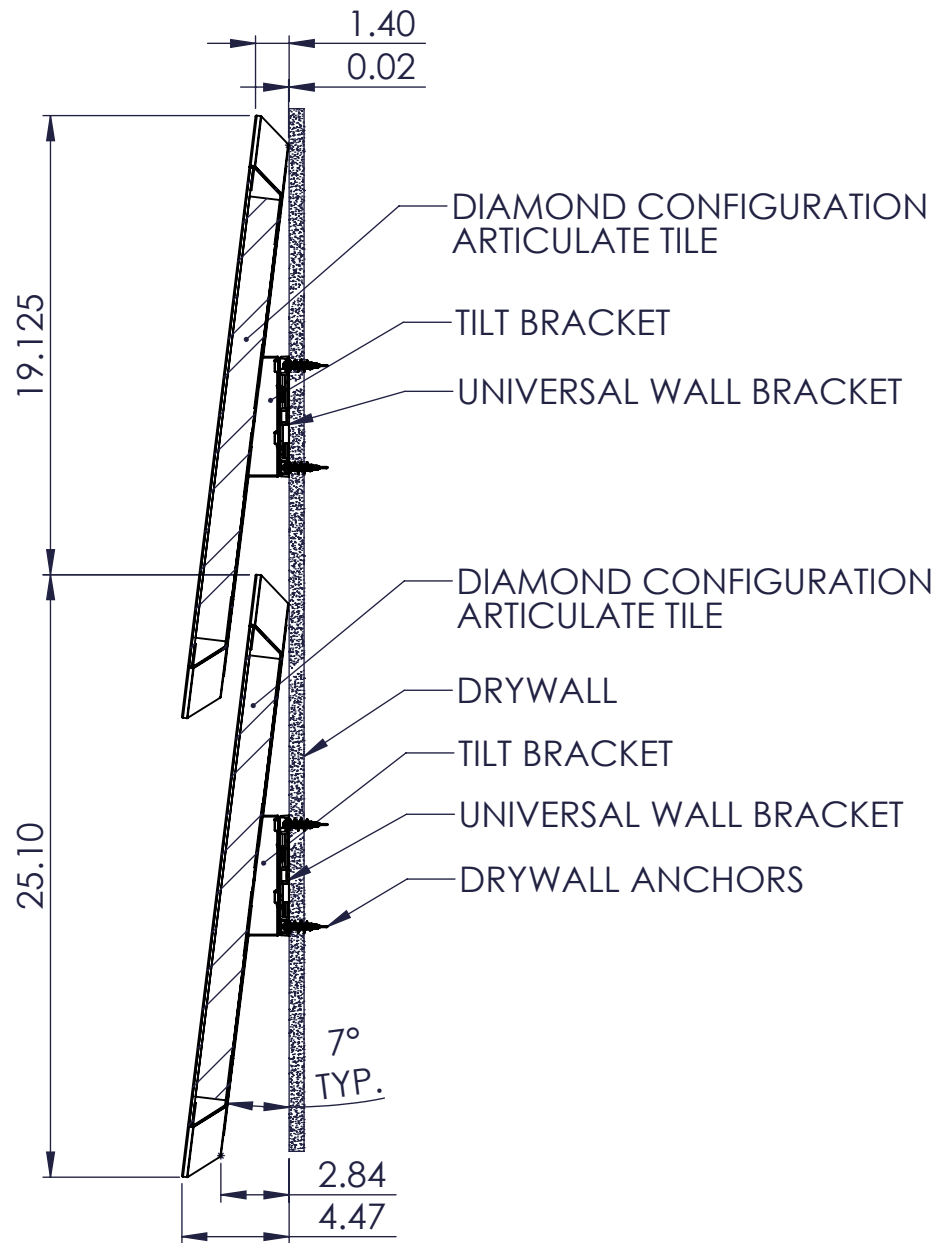


TILT UP TILE

18 x 18
NOMINAL
TILE SIZE



ELEVATION 4



① ARTICULATE - DIAMOND TILTED LAYERED - MOUNT AND LAYERING SPACING



CLARIFY
INDEPENDENT
HORIZONTAL RAILS & TOP TRIM

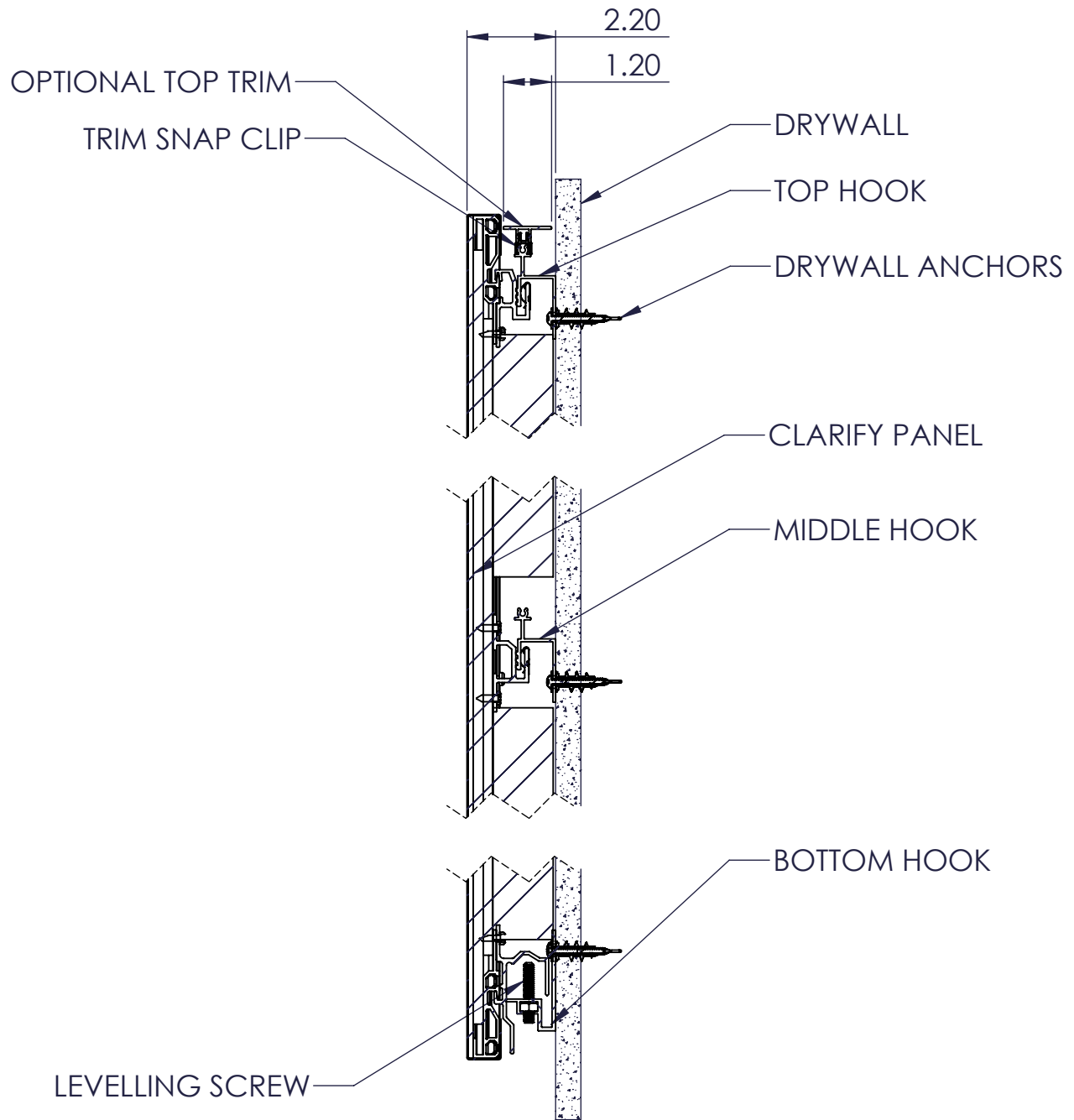
CLARIFY
INDEPENDENT
VERTICAL TRIMS



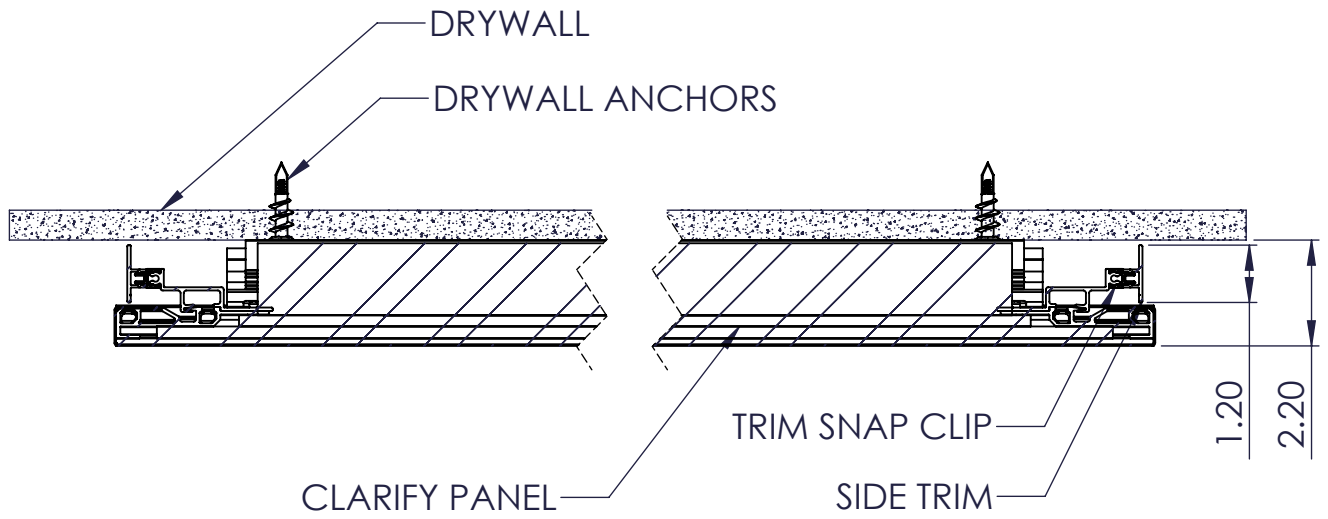
PORTRAIT ORIENTATION
HEIGHTS FROM 24 TO 96
IN INCREMENTS OF 12

PORTRAIT ORIENTATION
WIDTHS FROM 24 TO 48
IN INCREMENTS OF 12

① ELEVATION 5



① CLARIFY - INDEPENDENT - HORIZONTAL RAILS & TOP TRIM

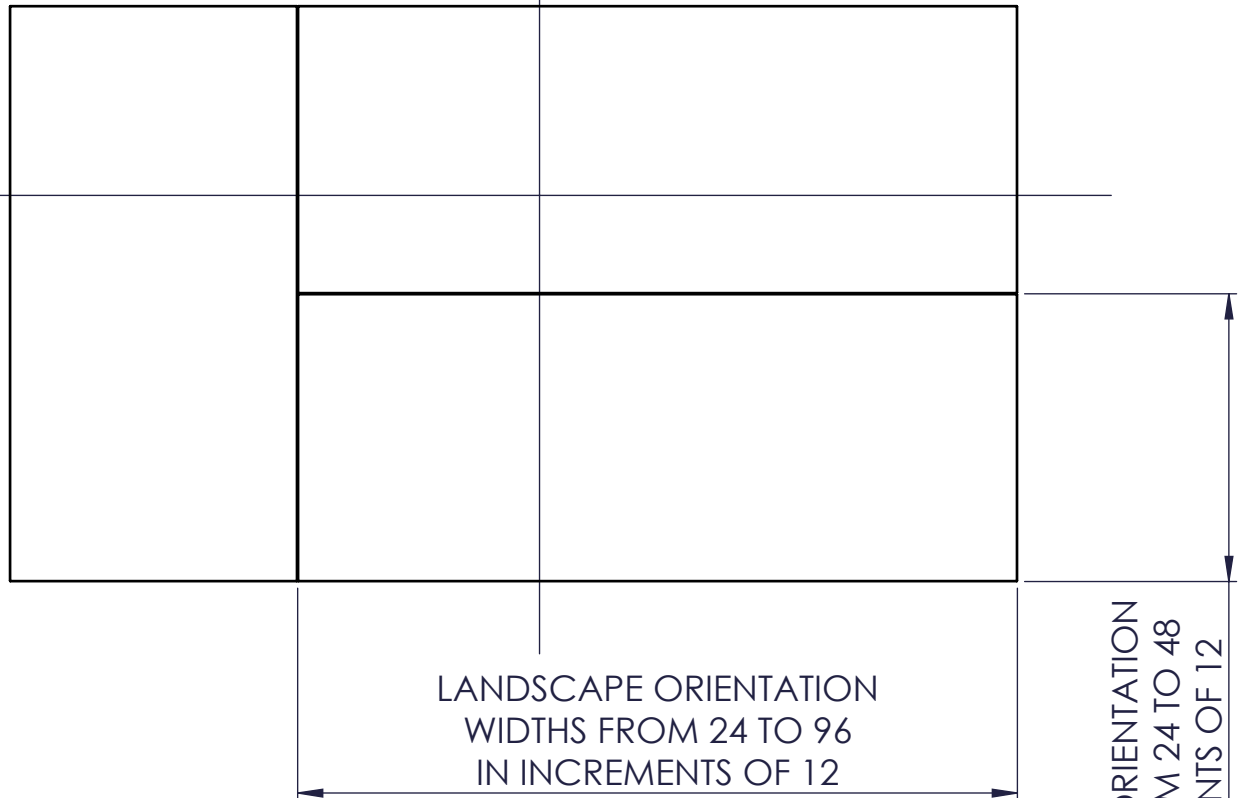


① CLARIFY - INDEPENDENT - VERTICAL TRIMS

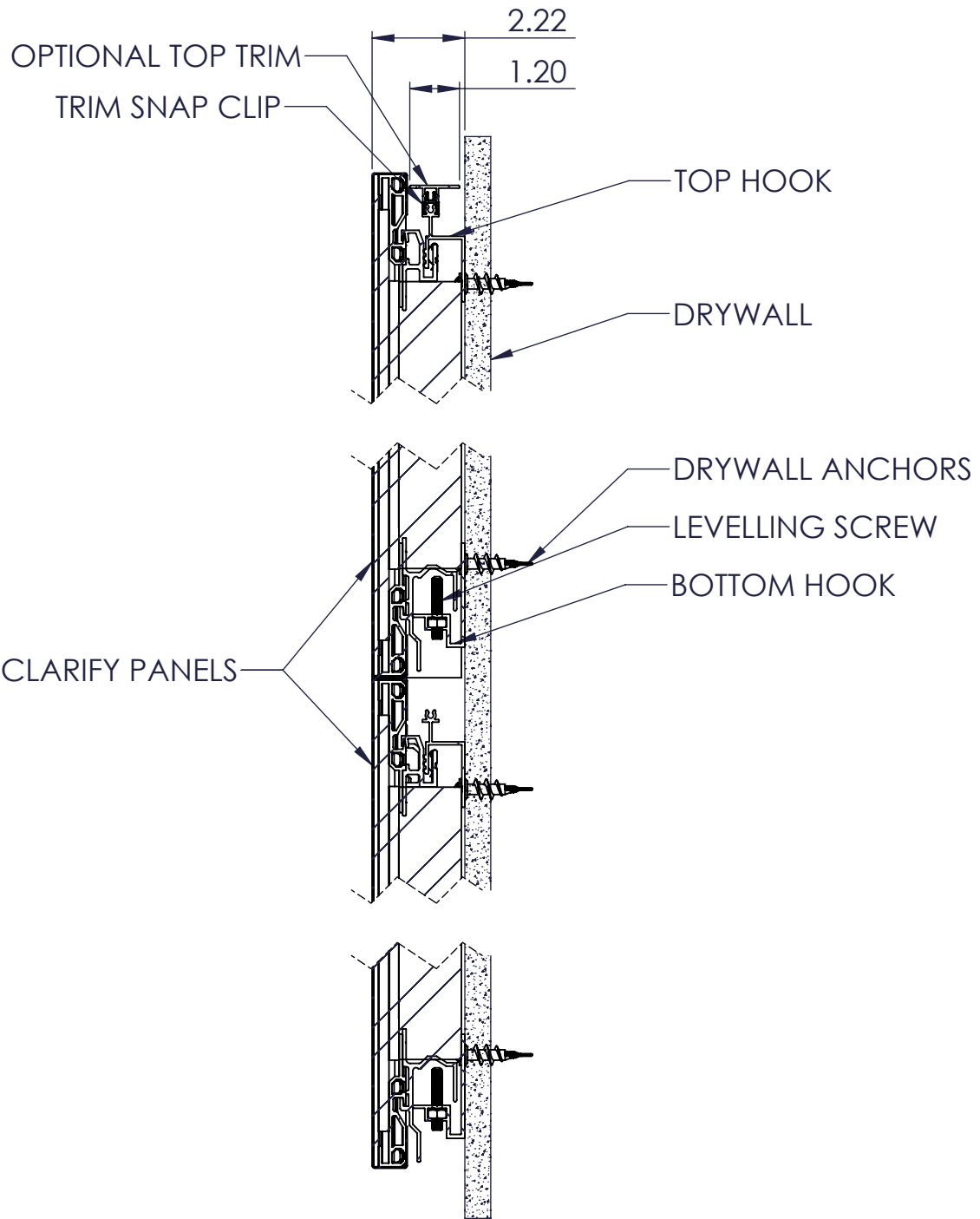
CLARIFY
INTEGRATED
VERTICAL TRIMS



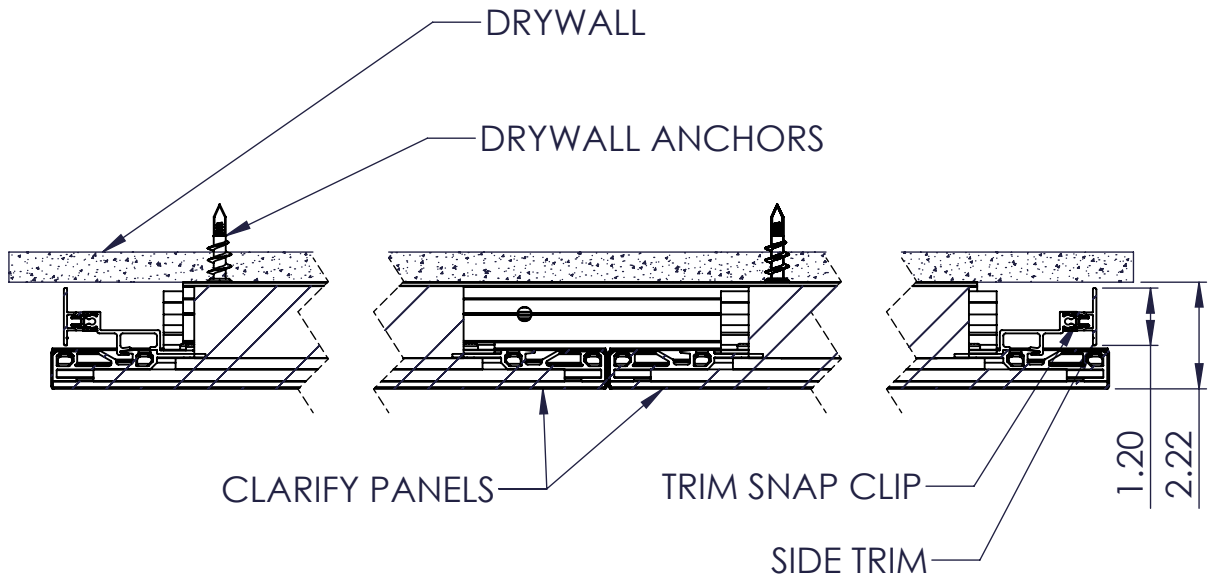
CLARIFY
INTEGRATED
HORIZONTAL RAILS & TOP TRIM



① ELEVATION 6



① CLARIFY - INTEGRATED - HORIZONTAL RAILS & TOP TRIM



① CLARIFY - INTEGRATED - VERTICAL TRIMS

REVISION	DESCRIPTION	DATE
REV 00	INITIAL RELEASE	MAR 2022

REVISION HISTORY

N.T.S.

ACOUSTICS STANDARD DRAWING PACKAGE

MARCH 25, 2022

R00

-

This drawing is the property of Teknion Limited and is subject to return upon demand. It must not be copied or reproduced in any manner, nor submitted to any outside parties for examination without Teknion consent. This drawing must not be scaled, or used for construction purposes.

www.teknion.com

teknion