

september 2022 revit content overview

new and updates

height adjustable bench and north 56

Height adjustable bench

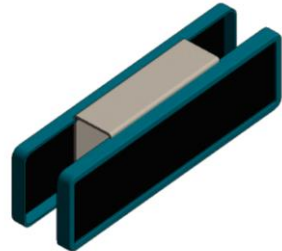
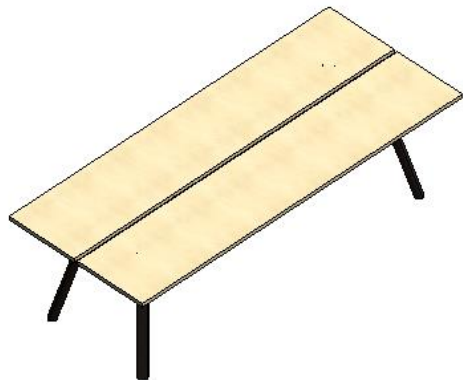
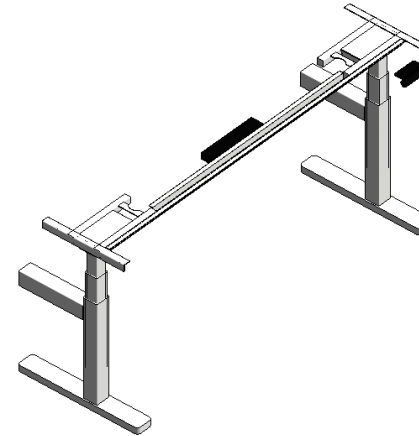
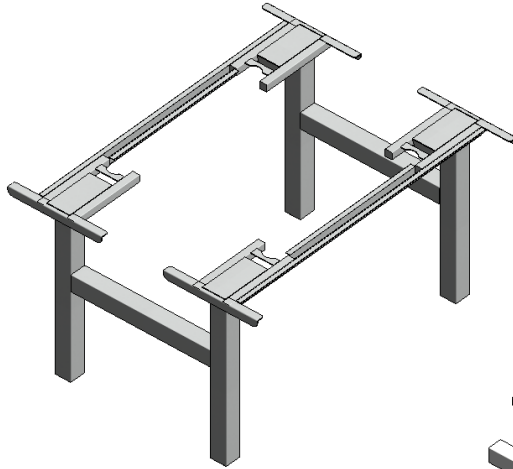
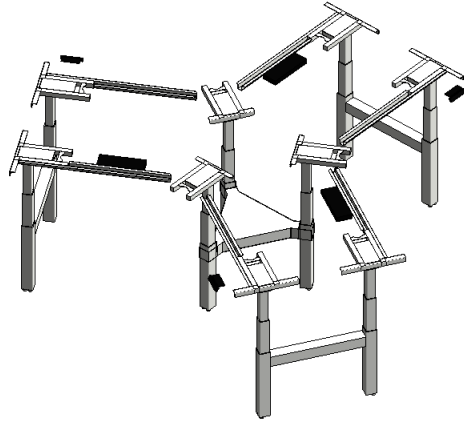
8 NEW products

- New worksurfaces
- New table frames
- New accessories

North 56:

3 NEW products

- New tables



new

north 56 and hispace
planning style layouts

9 NEW planning styles

I want them!

[September 2022 Content Update Download](#)

[Teknion's Revit Resources link](#)

[Teknion's Planning Tool link](#)

[Teknion Material Library](#)

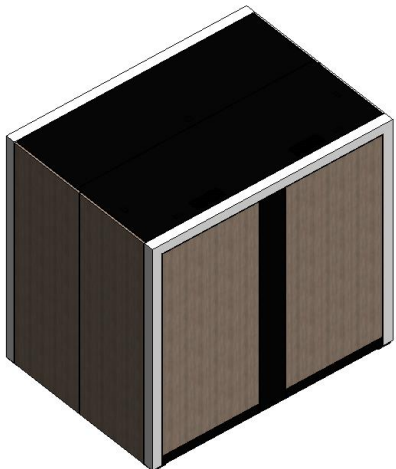
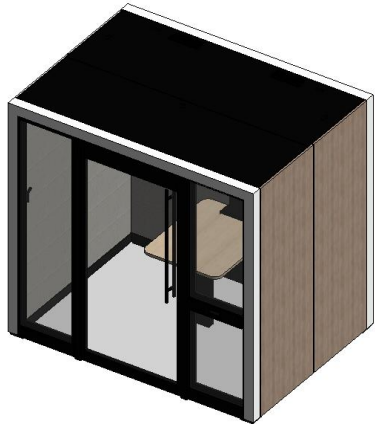
[Teknion Texture Images](#)

september 2022 revit content overview

architectural walls product pod update

Enhancements:

- New solid Back option
- New Sensor for electrical improvement



architectural walls products altos and optos update

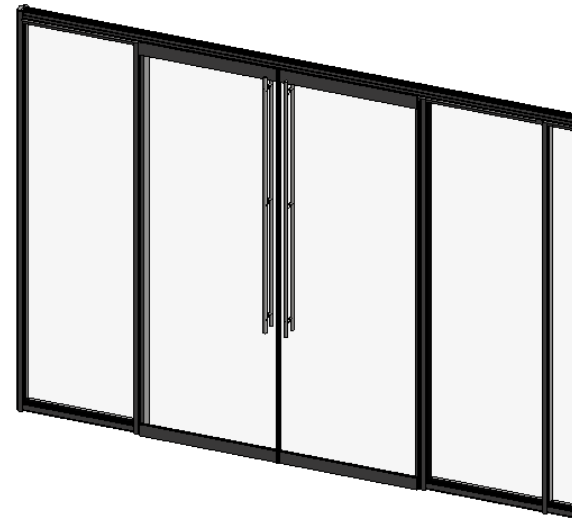
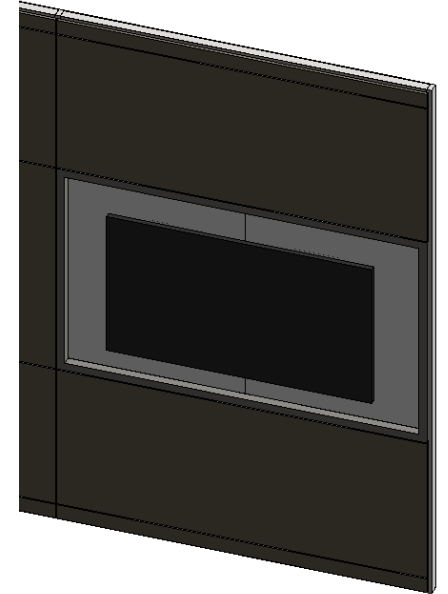
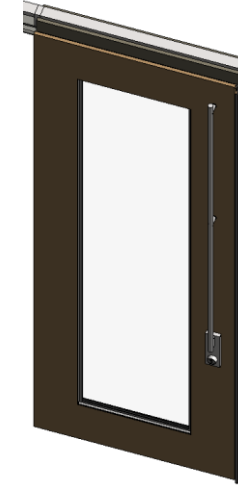
New and updates:

New Options

- New floor pulls, locking and non locking
- New ADA thumbturn, standard for floor locking pulls, and as an option for ceiling locking pulls

Improvements:

- Single and double sliding doors updated
- Improved design for door receivers



I want them!

[September 2022 Content Update Download](#)

[Teknion's Revit Resources link](#)

[Teknion's Planning Tool link](#)

[Teknion Material Library](#)

[Teknion Texture Images](#)