

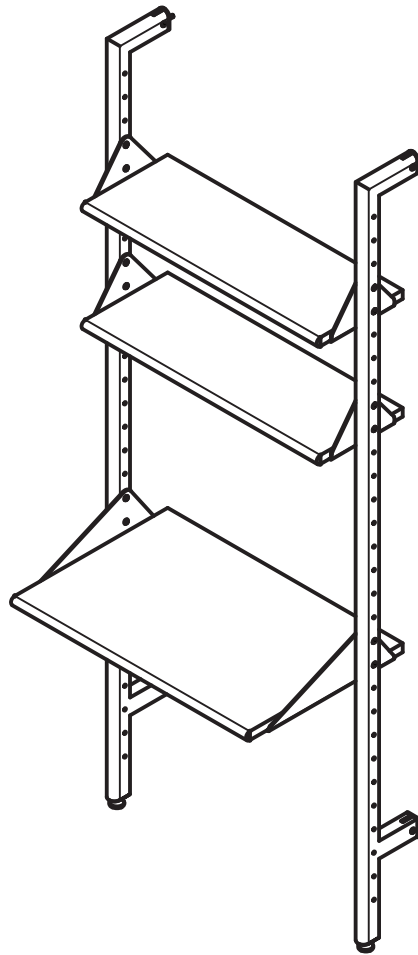
Branch Shelving System

Assembly Instructions

These installation instructions list the components and steps to create any Branch configuration. Review this document completely before beginning installation.

Please take time to identify the hardware as well as the individual components of the product. As you unpack and prepare for assembly, place them carefully on the floor and protect them from damage. Please follow the assembly instructions closely. Improper assembly may result in personal or property damage. We've included drywall anchors. Be sure to use anchors appropriate for your wall.

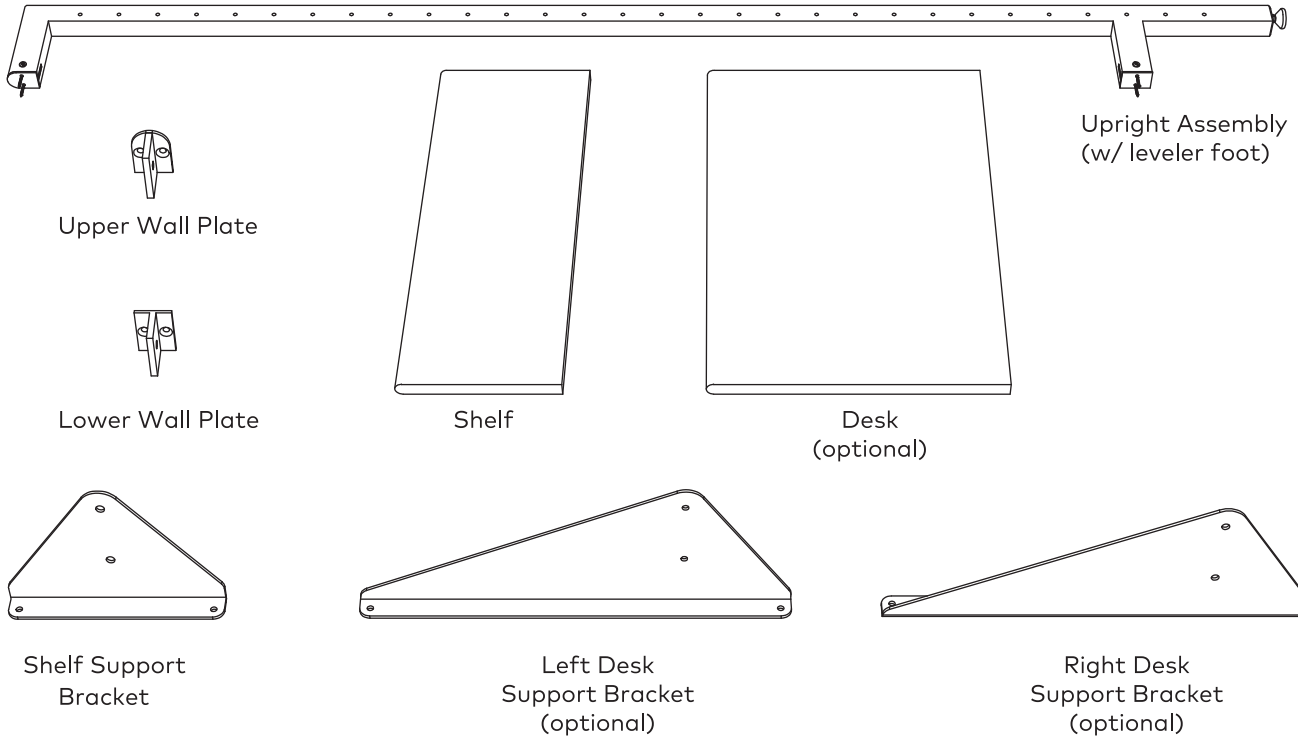
Depending on use, it may be necessary to tighten the screws and hardware periodically to maximize the stability of the shelving system components.



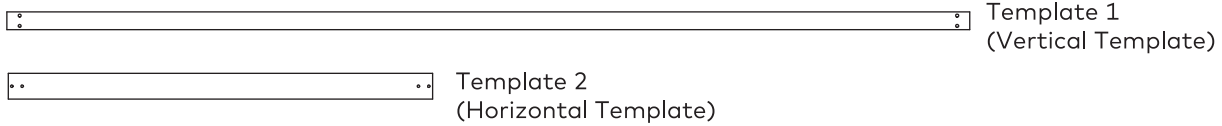
Branch - 1 Shelving Unit w/ Desk
(individual configurations may differ)



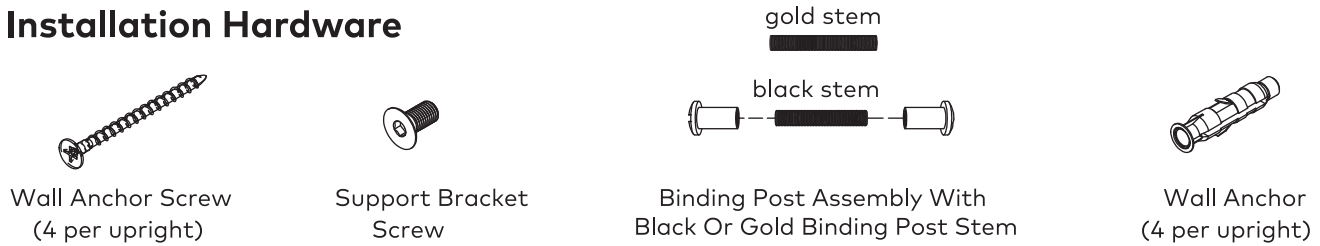
Branch Shelving System Components



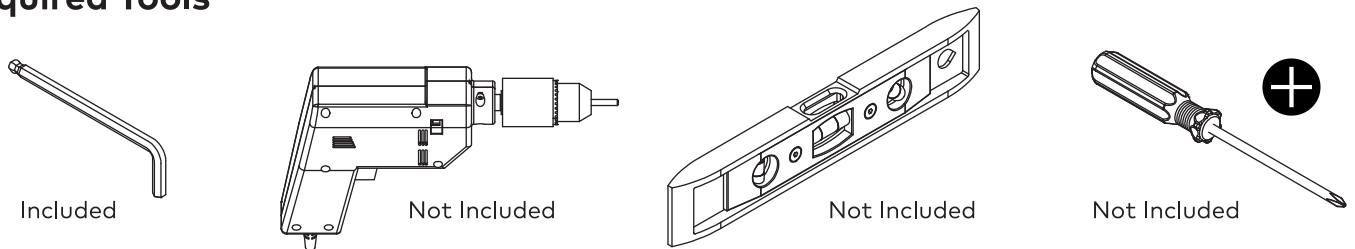
Installation Templates



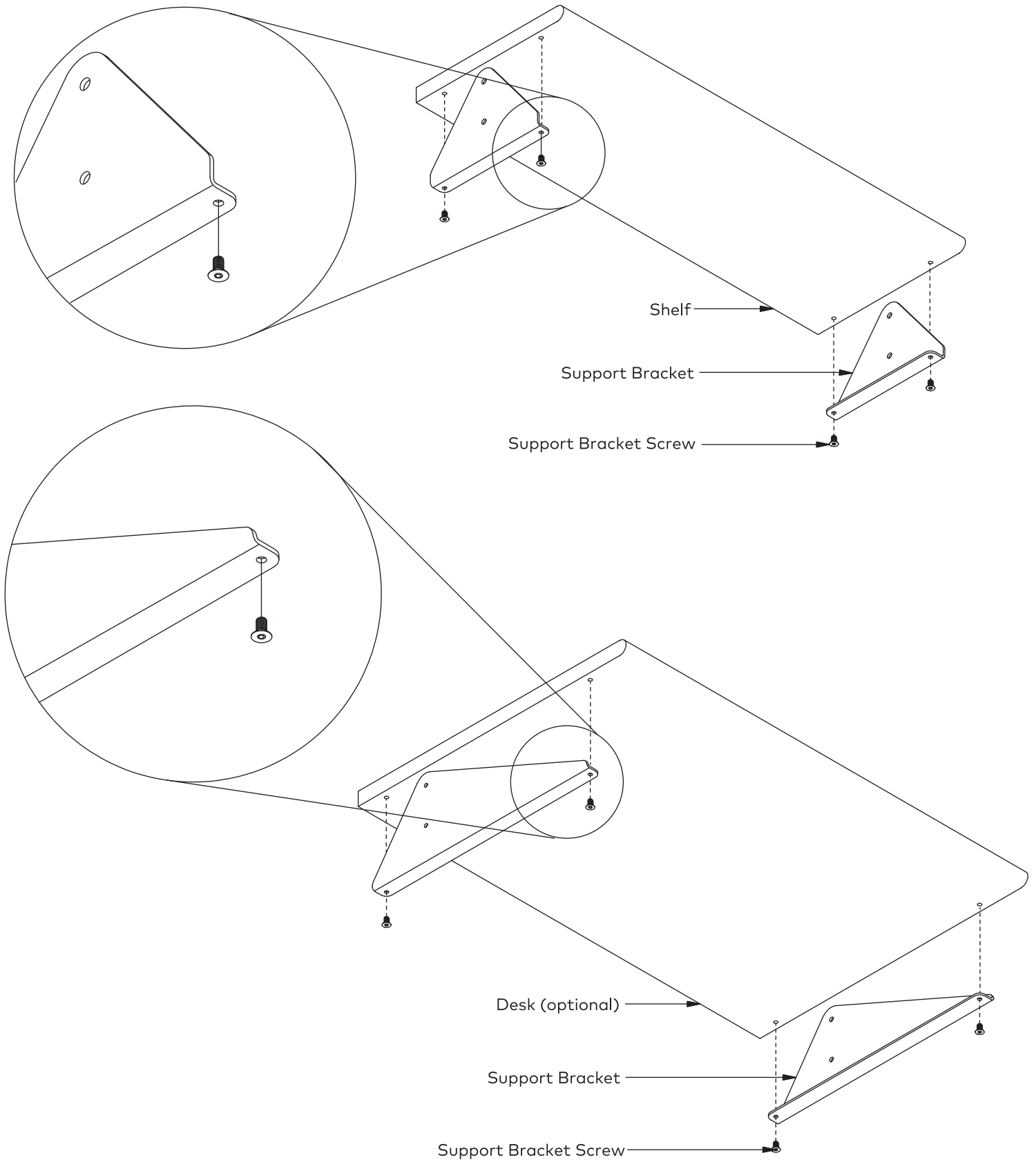
Installation Hardware



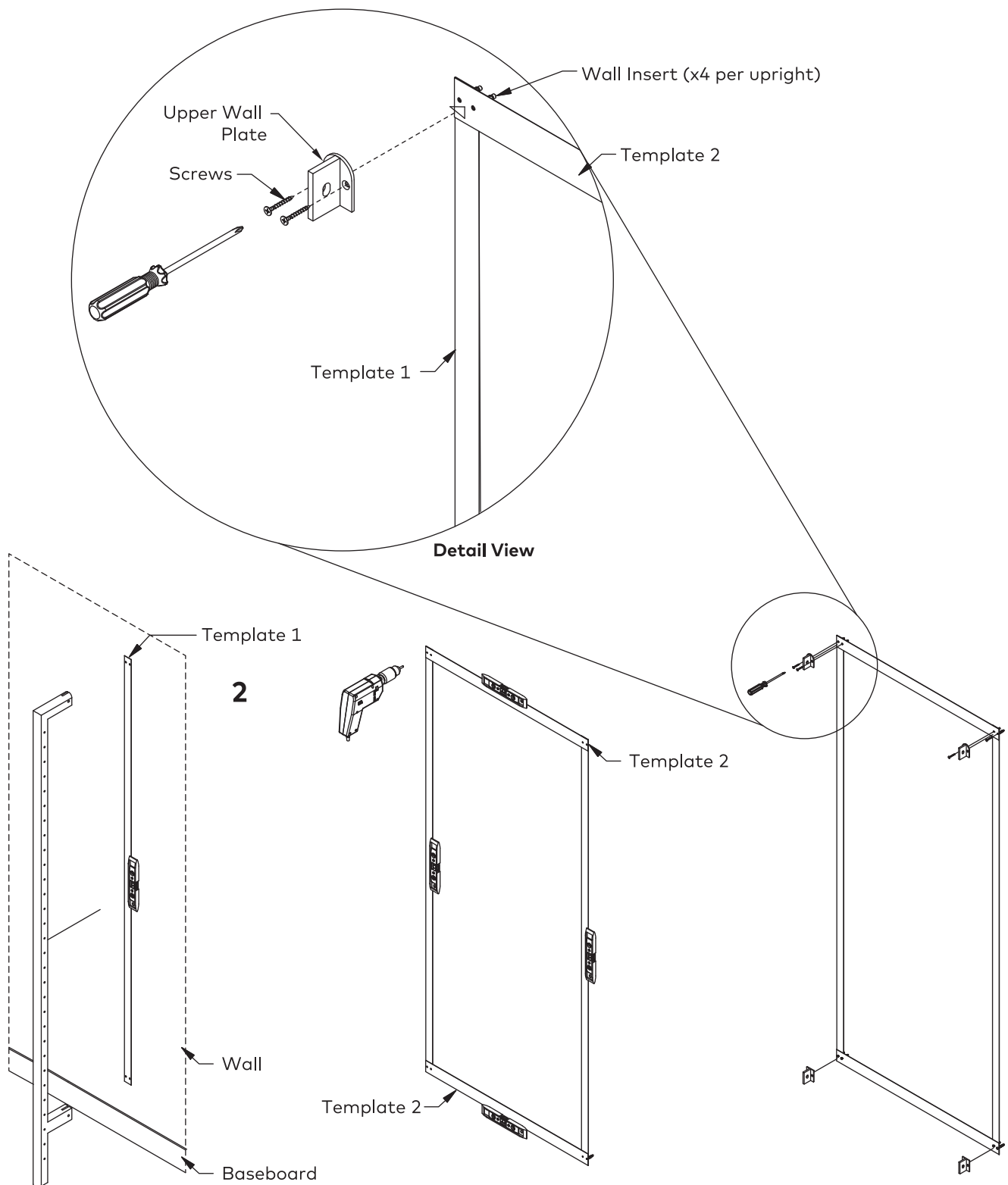
Required Tools



Shelf And Desk Pre-Assembly



Installing Upright Wall Plates



Step 1

- A) Adjust leveler foot to approximately half way out in its adjustment range.
- B) Based on finished size of your specific configuration begin at one end and determine the location of the first upright placement.
- C) Align top of Template 1 and top of upright.
- D) Tape Template 1 to wall.
- E) Use level to ensure template is vertical.

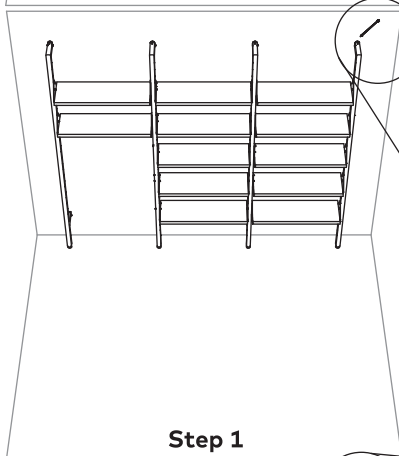
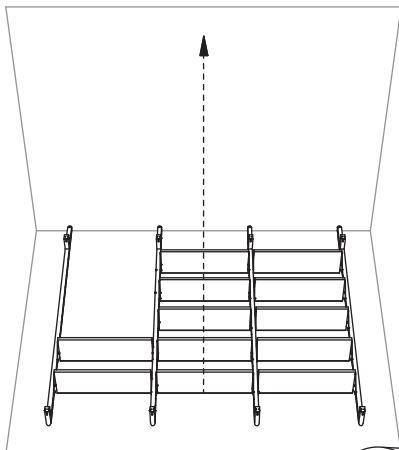
Step 2

- A) Ensure that all holes align and both Templates 1 and 2 are taut.
- B) Tape Template 2 to wall using a level.
- C) Drill all holes in wall and install wall anchors.

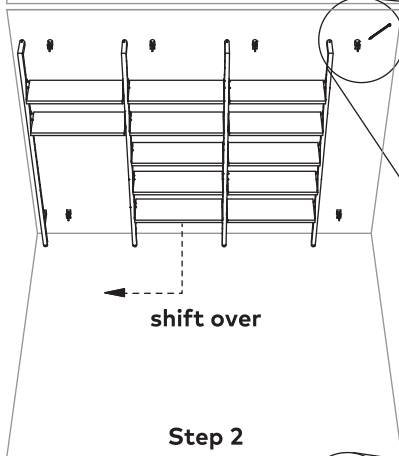
Step 3

- A) Remove Templates 1 and 2 from wall.
- B) Fasten upper and lower wall plates into wall anchors.

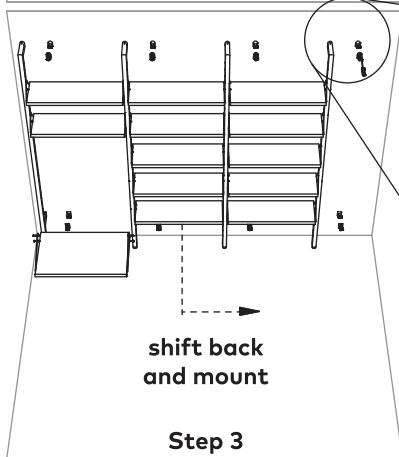
Alternate Method For Marking Position Of Upright Wall Plates



Step 1



Step 2



Step 3

Preparation

- A) Assemble bays for wall shelf assembly face down on floor.
- B) Leave installation of desk assembly until it is secured to wall in step 3.
- C) Raise shelf assembly into position against the wall it is to be installed on.
- D) Level the feet if needed.

Step 1

- A) Locate shelf assembly in desired location.
- B) Mark position of upper and lower wall plates by tracing their perimeter with a pencil.

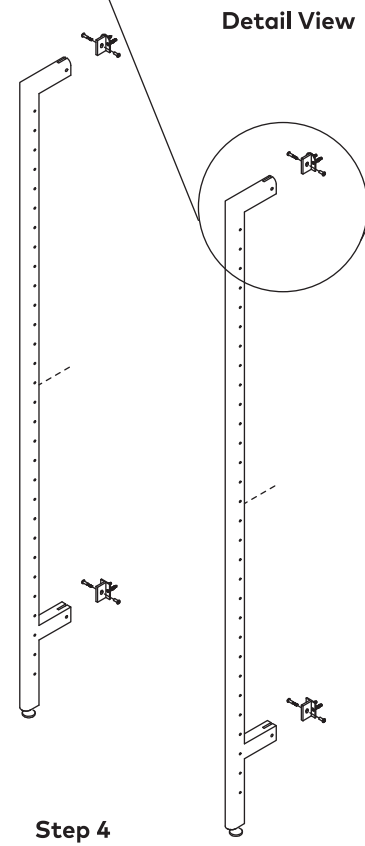
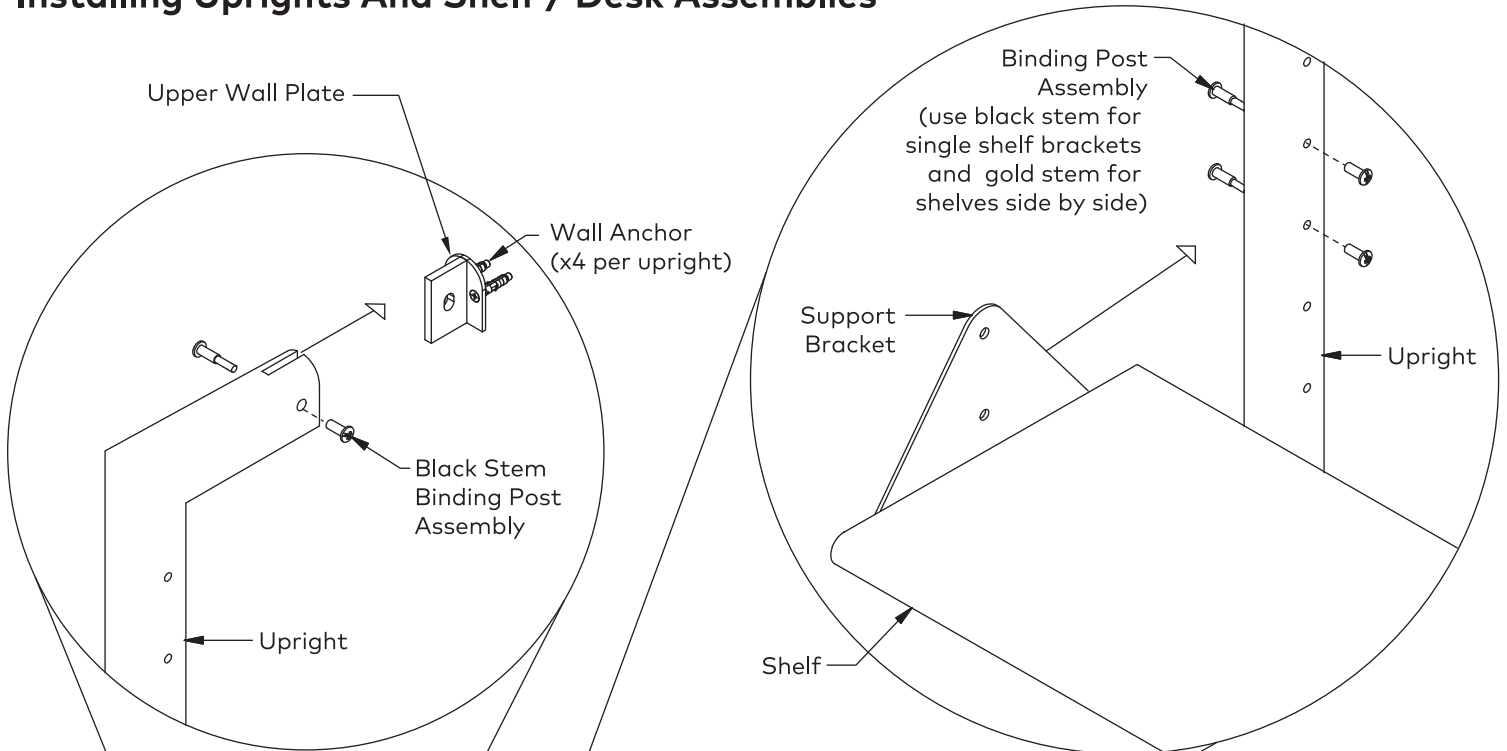
Step 2

- A) Shift assembled shelf bays over to one side until they are clear of desired anchor locations.
- B) With upper and lower wall plates in position inside the perimeter outline mark the location of the holes for the wall inserts with a pencil.

Step 3

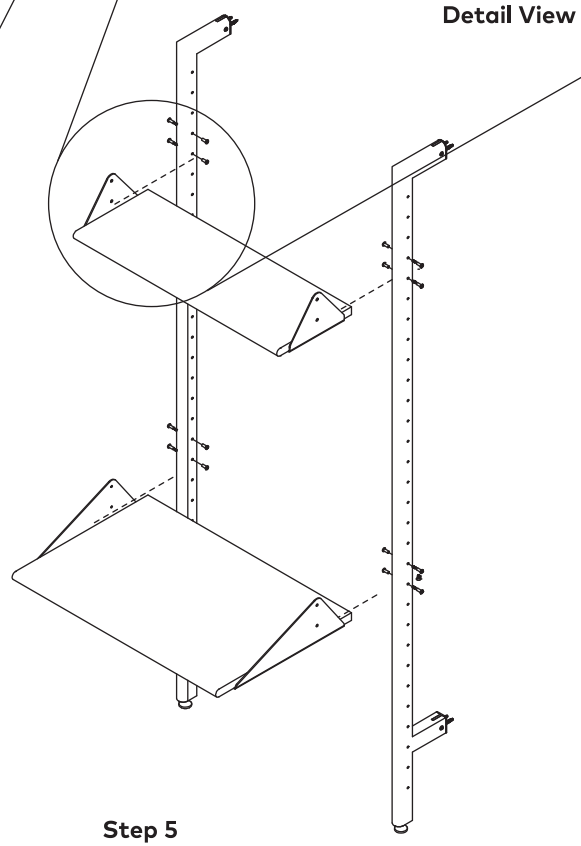
- A) Drill holes for upper and lower wall plate inserts and tap them into place.
- B) Align wall plate holes with insert locations and fasten to wall with provided wall anchor screws.
- C) Fasten uprights to wall plates with the provided black stem binding post assemblies.
- D) Install desk assembly in desired location.

Installing Uprights And Shelf / Desk Assemblies



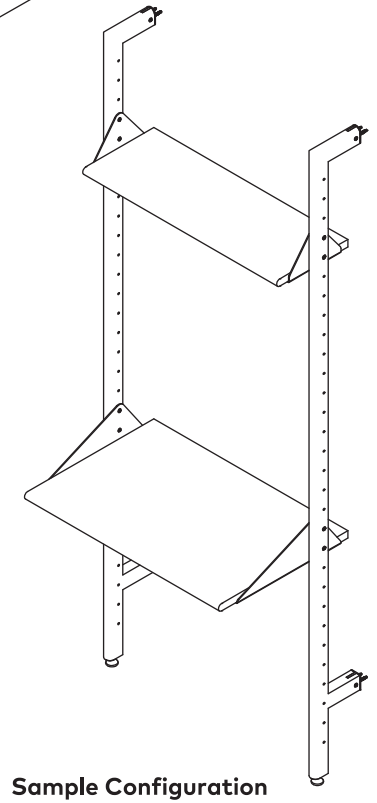
Step 4

- A) Fit uprights into upper and lower wall plates.
- B) Align holes in wall plates and holes in uprights.
- C) Fasten uprights into wall plates with black stem threaded binding posts.
- D) Adjust leveler foot to accommodate any variation in floor pitch.



Step 5

- A) Fit shelves or optional desk into desired location between uprights.
- B) Align threaded binding posts and support brackets.
- C) Insert threaded binding posts and tighten from both sides until snug.
- D) If installing two shelves on either side of upright use the longer gold stem binding post assembly.



Sample Configuration