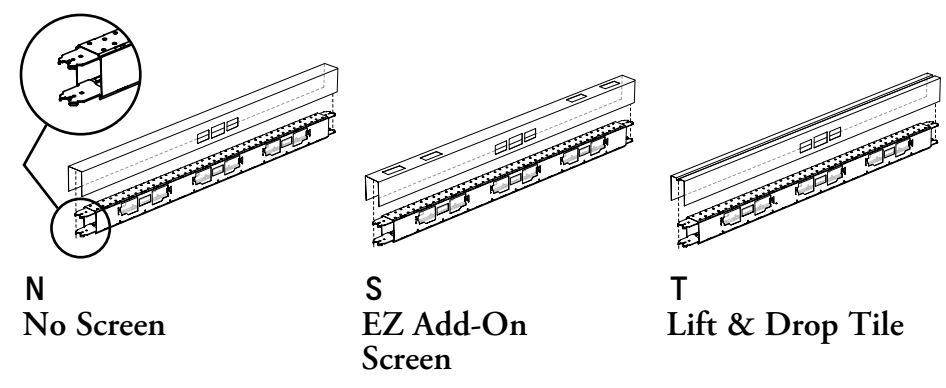


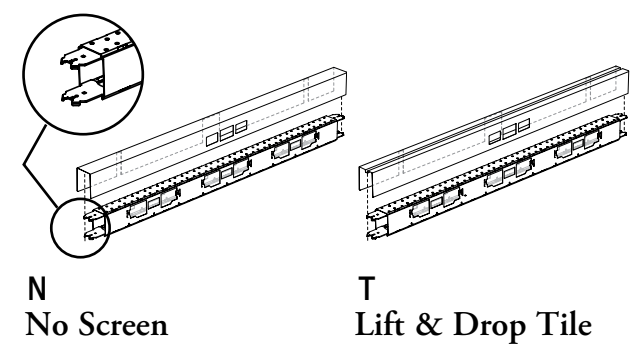
EZ Fence Structure

EZ Fence Beam



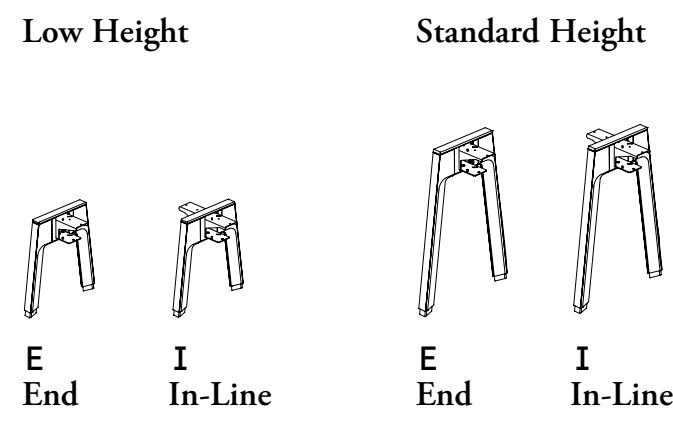
MJZSBB

EZ Fence Beam for Corridor



MJZSBS

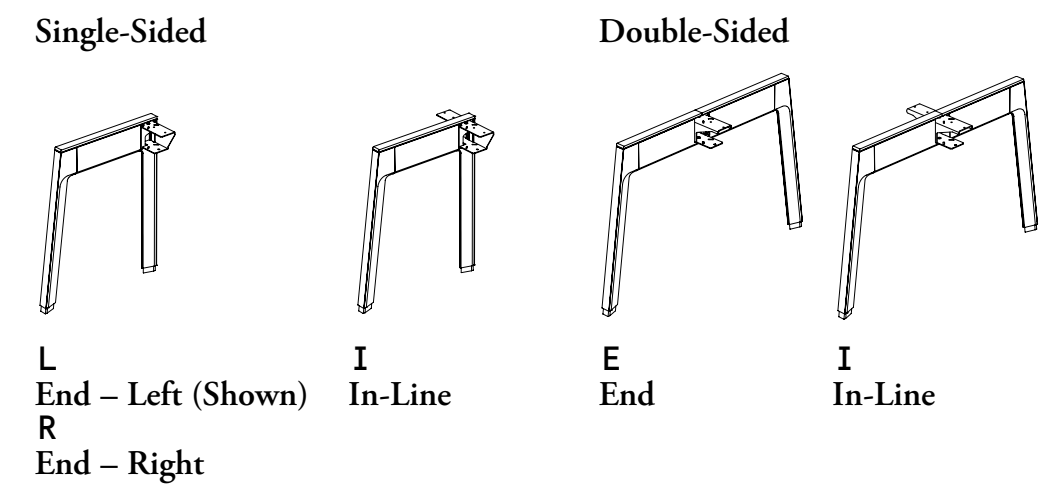
EZ Fence Legs



MJZSFL

MJZSFS

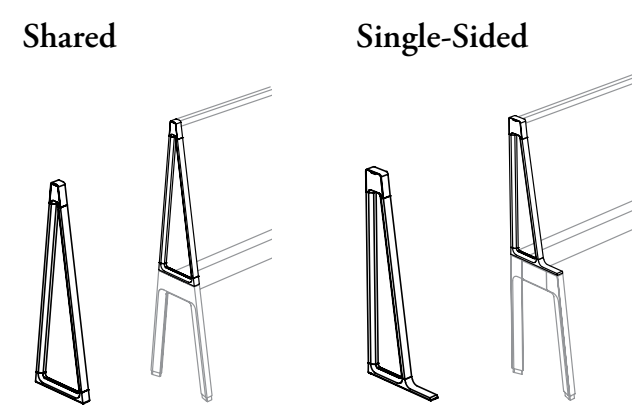
EZ Structural Legs



MJZSLS

MJZSLD

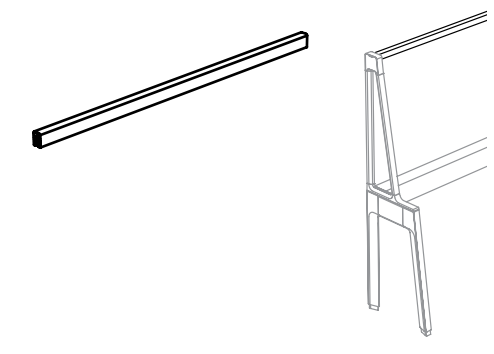
EZ Upper A-Frame



MJZSUD

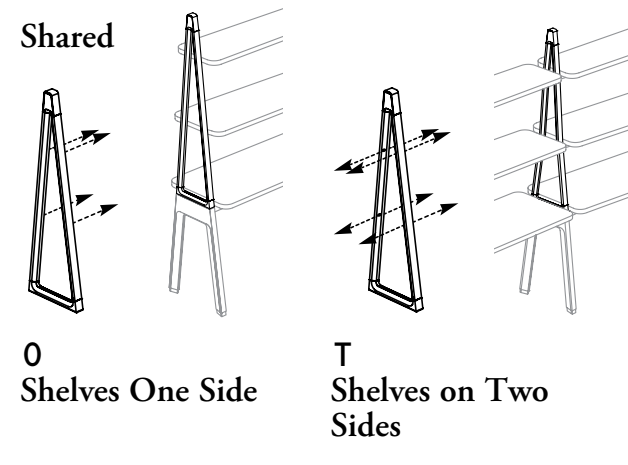
MJZSUS

EZ Upper Rail for Lift & Drop Tile



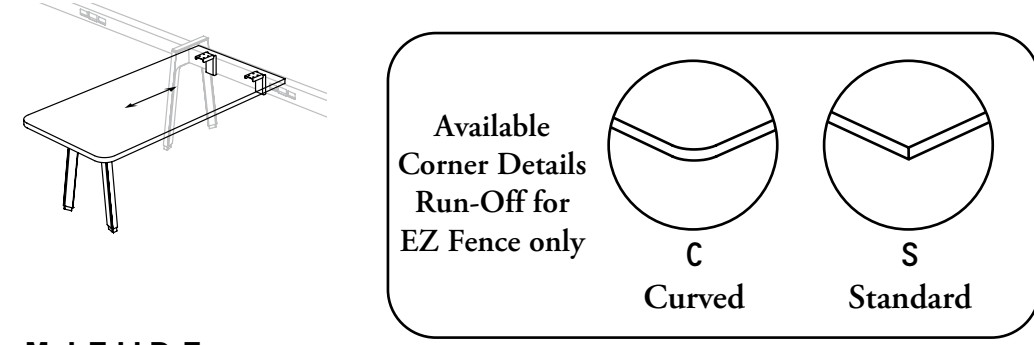
MJZSUR

EZ Upper A-Frame for Laminate Shelves



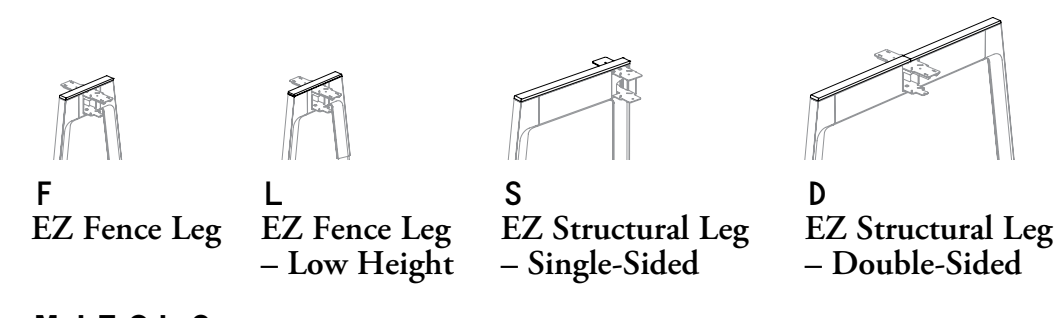
MJZSULS

Run-Off for EZ Fence

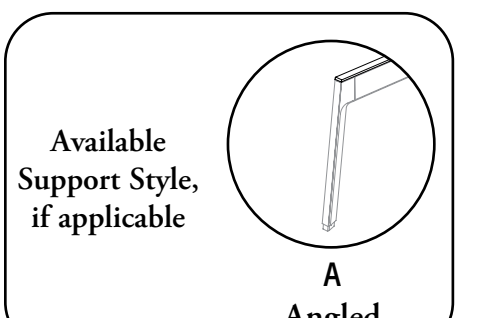


MJZWRFF

EZ Fence Leg Cover – Top

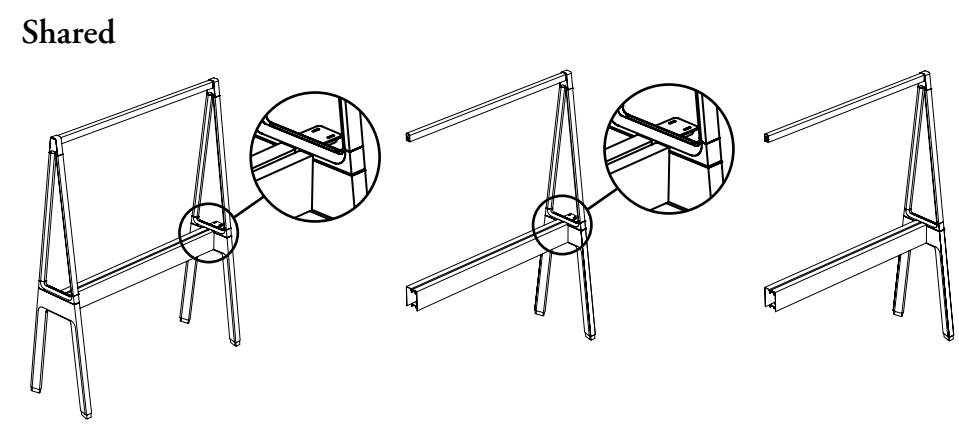


MJZSLC

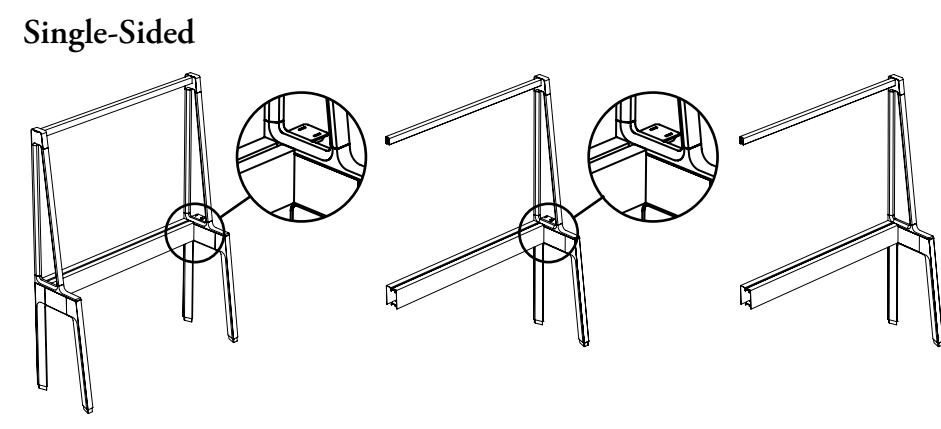


Preconfigured EZ Fence Structure

EZ Fence for Lift & Drop Tiles

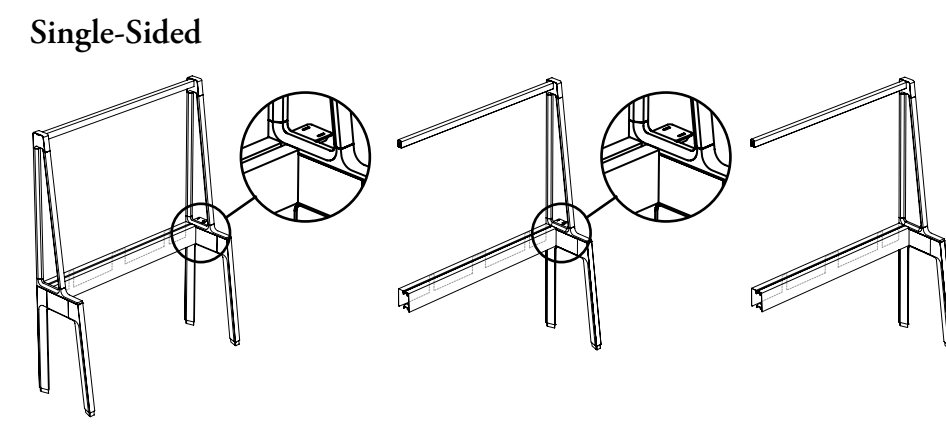


MJZPD



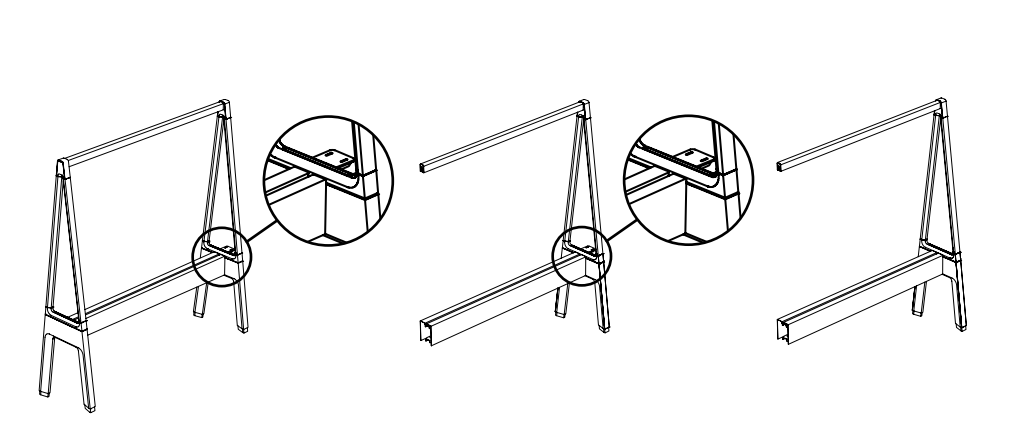
MJZPS

EZ Fence for Lift & Drop Tiles and for Corridor



MJZPB

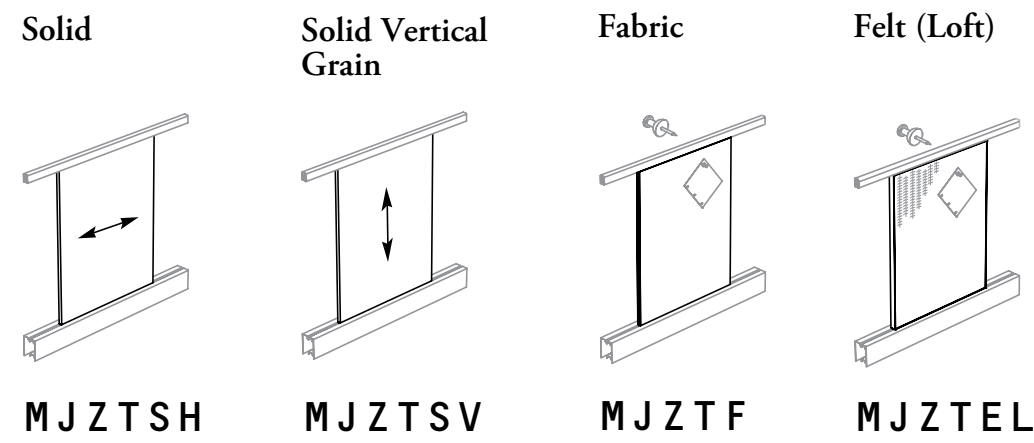
EZ Fence for Lift & Drop Tiles – Low Shared



MJZPLD

EZ Lift & Drop Tiles and Shelves

Lift & Drop Tiles



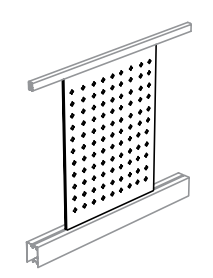
MJZTSH

MJZTSV

MJZTF

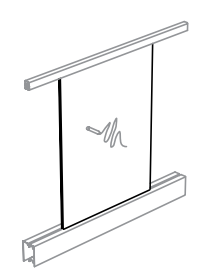
MJZTEL

Metal Accessory



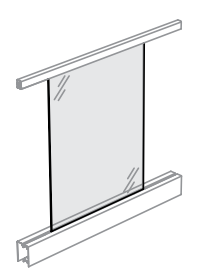
MJZTMA

Laminate Markerboard



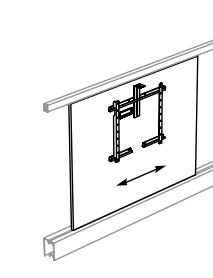
MJZTMW

Frosted Glass



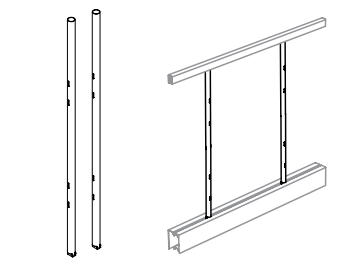
MJZTGG

Solid – Media

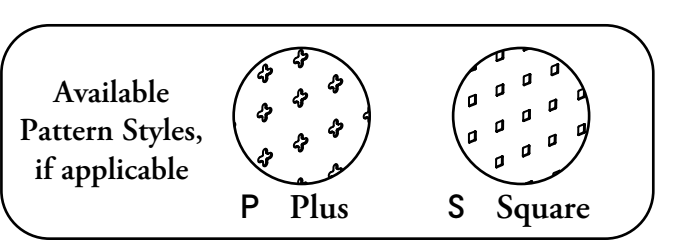


MJZTSM

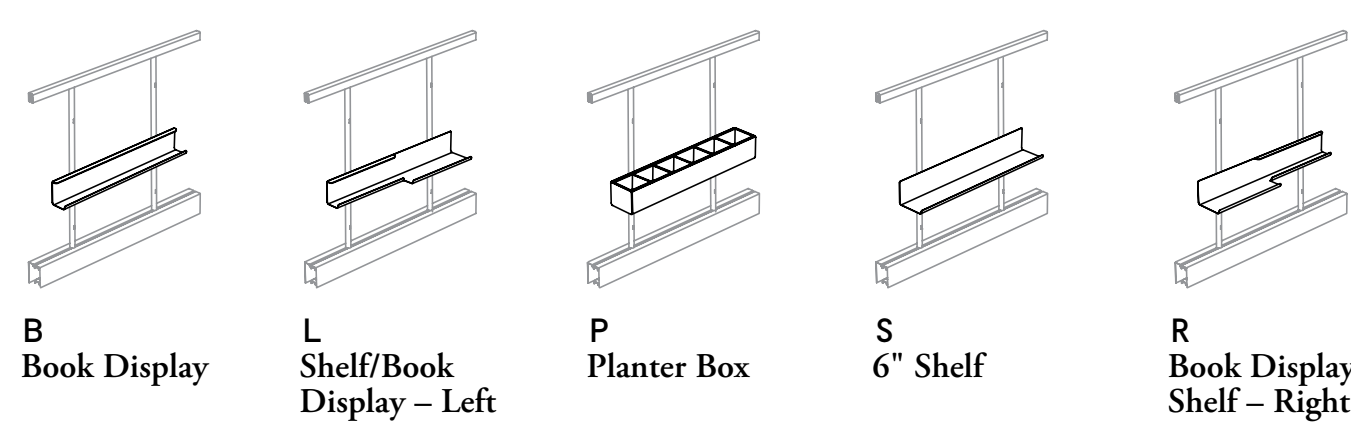
Lift & Drop Vertical Poles



MJZTPS

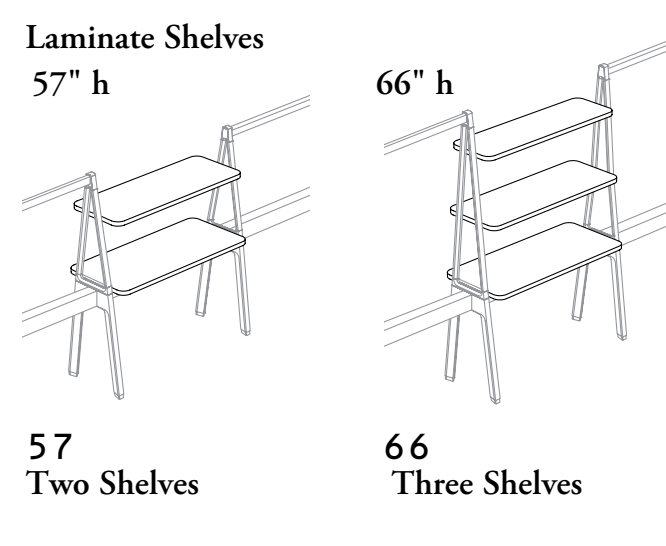


Accessories – Lift & Drop Vertical Poles Mounted

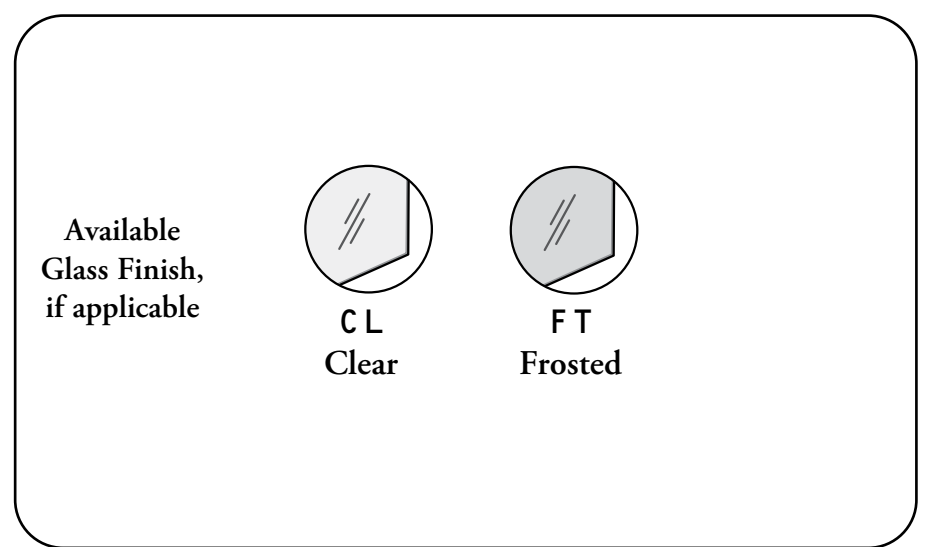


MJZTPA

Accessories – EZ Upper A-Frame Mounted

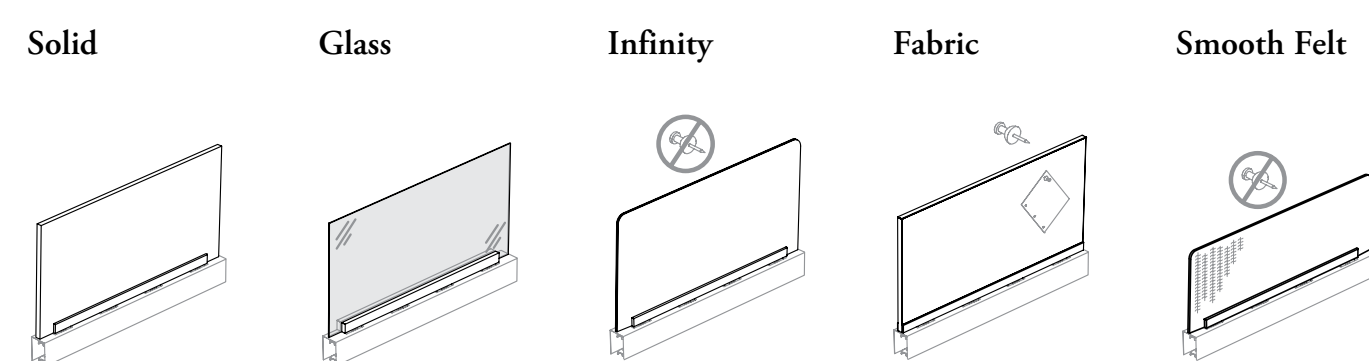


MJZTBS



EZ Fence Screens

Add-On Screens – EZ Fence Beam-Mounted



MJZSASB

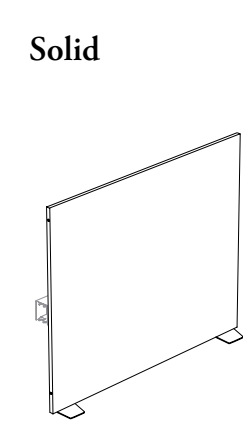
MJZSAGB

MJZSAXB

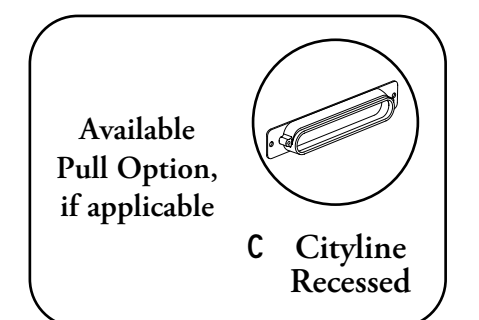
MJZSAFB

MJZSAZB

Floor Screens – EZ Fence Beam-Mounted



MJZSFSB



EZ Suspended Storage	<p><b>EZ Suspended Credenzas</b> Shared</p> <p>60" to 84" w MJZBS0</p> <p>Media Center – Single-Sided</p> <p>48" to 60" w MJZBSM</p> <p>66" to 84" w</p> <p><b>EZ Suspended Shelf</b></p> <p>MJZBSH</p> <p>Available EZ Fence Leg Style, if applicable A Angled</p>
Desk Structures	<p><b>Structural Beam Covers</b> Bottom</p> <p>MJNDBC B</p> <p><b>Stabilizers</b></p> <p>hiSpace</p> <p>A Angled</p> <p>MJNDSWB MJNDST</p> <p>EZ Fence Structure Compatible</p> <p>Available Support Style, if applicable A Angled</p>
Leg-Mounted Screens	<p><b>Floor Screens</b></p> <p>Solid – One User</p> <p>MJNSFSL</p> <p>Solid – Two Users</p> <p>MJNSFST</p>
Accessories	<p>MJNABAB MJNABAS</p> <p>B Under Beam-Mounted</p> <p>W Under Worksurface-Mounted</p> <p>MJNABH</p>
Lighting, Electrics and Communications	<p>MJNEWPP</p>