

sidewise

INDEX

By Section

*Click on the desired Installation Guide to jump to the Guide page.

	Product Code	Guide No.	Last Updated
SOLO, CONSULTATION & MEETING			
Desk Height Bullet Consultation Hub with Coat/Shelf	SWDBA	001	Sept. 2012
Desk Height Bullet Consultation Hub with Shelf	YHRE3		
Desk Height Bullet Consultation Hub with Coat/Drawers	SWDBC		
Desk Height Bullet Consultation Hub with Shelf/Drawers	SWDBD		
Desk Height Bullet Consultation Hub with Multi-Drawer/Shelf	SWDBE		
Desk Height Bullet Consultation Hub with Multi-Drawer/Drawers	SWDBF		
Desk Height Bullet 51" High Consultation Hub with Shelf	SWEBB		
Counter Height Bullet Consultation Hub with Coat/Shelf	SWCBA		
Counter Height Bullet Consultation Hub with Shelf	SWCBB		
Counter Height Bullet Consultation Hub with Multi-Drawer/Shelf	SWCBE		
Counter Height Rectangular Consultation Hub with Multi-Drawer/Drawers	SWCBF		
Lounge Height Round Meeting Hub with Shelf	SWLMB		
Counter Height Round Meeting Hub with Coat/Shelf	SWCMA		
Desk Height Round Meeting Hub with Coat/Shelf	SWDMA		
Desk Height Rectangular Solo Desk with Coat/Shelf	SWDSA	002	Jul. 2015
Desk Height Rectangular Solo Desk with Shelf	SWDSB		
Desk Height Rectangular Solo Desk with Coat/Drawers	SWDSC		
Desk Height Rectangular Solo Desk with Shelf/Drawers	SWDSD		
Desk Height Rectangular Solo Desk with Multi-Drawer/Shelf	SWDSE		
Desk Height Rectangular Solo Desk with Multi-Drawer/Drawers	SWDSF		
Desk Height Rectangular Consultation Hub with Coat/Shelf	SWDRA		
Desk Height Rectangular Consultation Hub with Shelf	SWDRB		
Desk Height Rectangular Consultation Hub with Coat/Drawers	SWDRC		
Desk Height Rectangular Consultation Hub with Shelf/Drawers	SWDRD		
Desk Height Rectangular Consultation Hub with Multi-Drawer/Shelf	SWDRE		
Desk Height Rectangular Consultation Hub with Multi-Drawer/Drawers	SWDRF		
Desk Height Rectangular 51" High Consultation Hub with Shelf	SWERB		
Counter Height Rectangular Consultation Hub with Coat/Shelf	SWCRA		
Counter Height Rectangular Consultation Hub with Shelf	SWCRB		
Counter Height Rectangular Consultation Hub with Multi-Drawer/Shelf	SWCRE		
Counter Height Bullet Consultation Hub with Multi-Drawer/Drawers	SWCRF		
Lounge Recliner with Coat/Shelf	SWRA	003	Jul. 2015
Lounge Recliner with Coat/Drawers	SWRC		
Lounge Recliner Upholstered Cushions	SWUC		

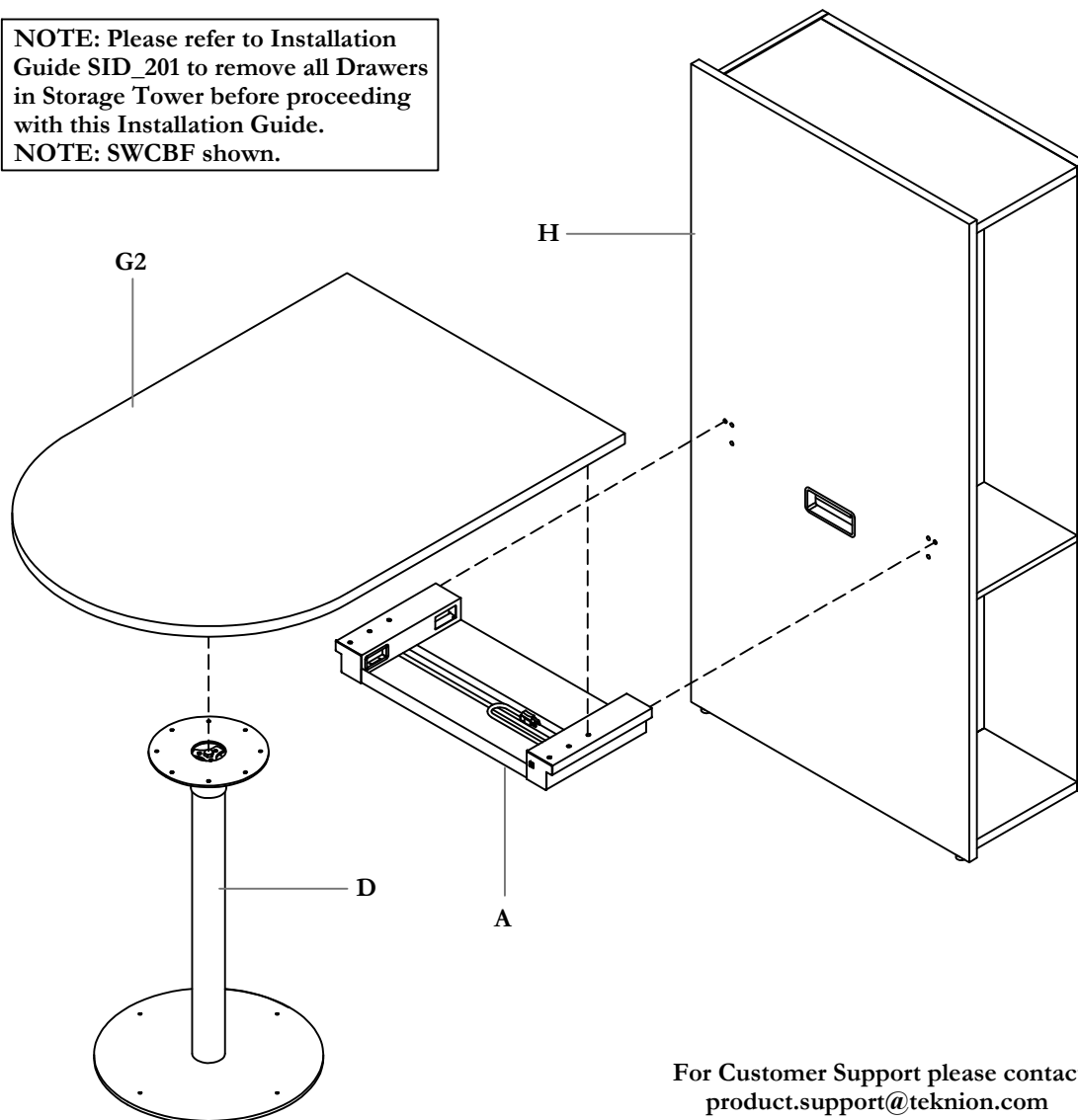
Product Name	Product Code	Guide No.	Last Updated
ELECTRICS & ACCESSORIES			
LED Ambient Light with Occupancy Sensor & Mounting Hardware	SWLED	101	Sept. 2012
Accessory Rail Element	SWDA	102	Sept. 2012
Pull-Out CPU Shelf	SWPS	103	Sept. 2012
Modesty Panel Glass	SWMPG	104a	Jul. 2015
Modesty Panel Solid	SWMPS	104b	Sept. 2012
DRAWER REMOVAL			
Single and Multi Drawer Removal		201	Sept. 2012

Section: **SOLO, CONSULTATION AND MEETING**

Description: **DESK/HUB WITH BULLET/ROUND SURFACE, PEDESTAL LEG AND WIRE MANAGEMENT**

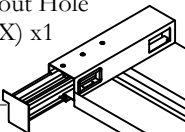
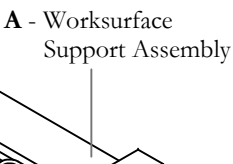
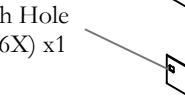
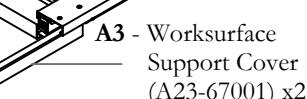


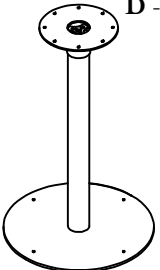

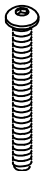
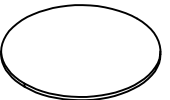

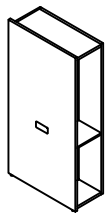


SWDBA, SWDBB, SWDBC, SWDBD, SWDBE, SWDBF, SWEBB, SWCBA, SWCBB, SWCBE, SWCBF, SWLMB, SWDMA, and SWCMA

NOTE: Please refer to Installation Guide SID_201 to remove all Drawers in Storage Tower before proceeding with this Installation Guide.
NOTE: SWCBF shown.



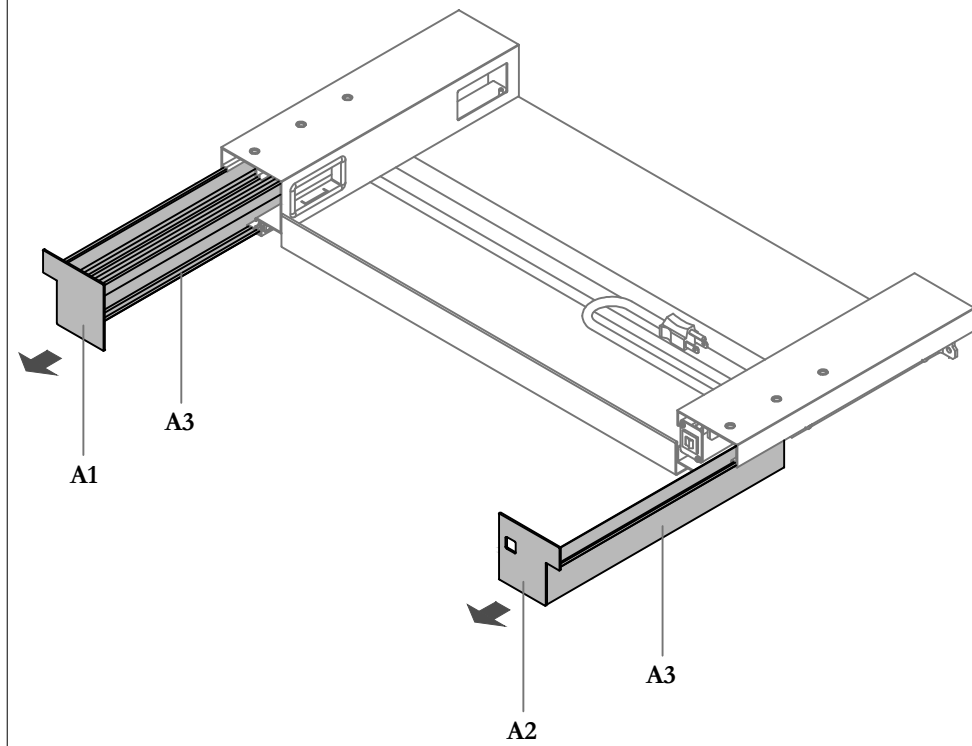
For Customer Support please contact product.support@teknion.com

Part and Product Identification

(N80-67004+XXL) x1	 <p>A1 - Cover Without Hole (N80-67015X) x1</p>	 <p>A - Worksurface Support Assembly</p>
	 <p>A2 - Cover With Hole (N80-67016X) x1</p>	 <p>A3 - Worksurface Support Cover (A23-67001) x2</p>
	 <p>B - Murakoshi Screws (E02-50153) x 6</p>	 <p>C - Bolts (E01-50403) x 6</p>
(R80-67001+XX) x1	 <p>D - Pedestal Leg Assembly (N80-67012+24) x1 Or (N80-67012+29) x1 Or (N80-67012+36) x1</p>	 <p>E - Screw Kit (X80-61011) x2</p>
		 <p>F - Locking Screw (E01-50793) x3</p>
	 <p>G1 - Round Surface (SWWDM486) x1</p> <p style="text-align: center;">OR</p>  <p>G2 - "D" Surface (SWWDB36(XX-XX)6) x1</p>	<p>H - Freestanding Storage Tower (STSWCWXX3672XX) x1 Or (STSWCMAX3672XX) x1 Or (STSWDWBX3651XX) x1 Or (STSWDWXXYY72XX) x1 Or (STSWDWXX3672XX) x1 Or (STSWLMBX3651XX) x1</p> 
	 <p>I - Wire Management Tube With Adhesive Strip (B11-67000+29) x 1</p>	 <p>J - Wire Management Tube With Adhesive Strip (B11-67000+11) x 1</p>

SLIDE OUT COVERS

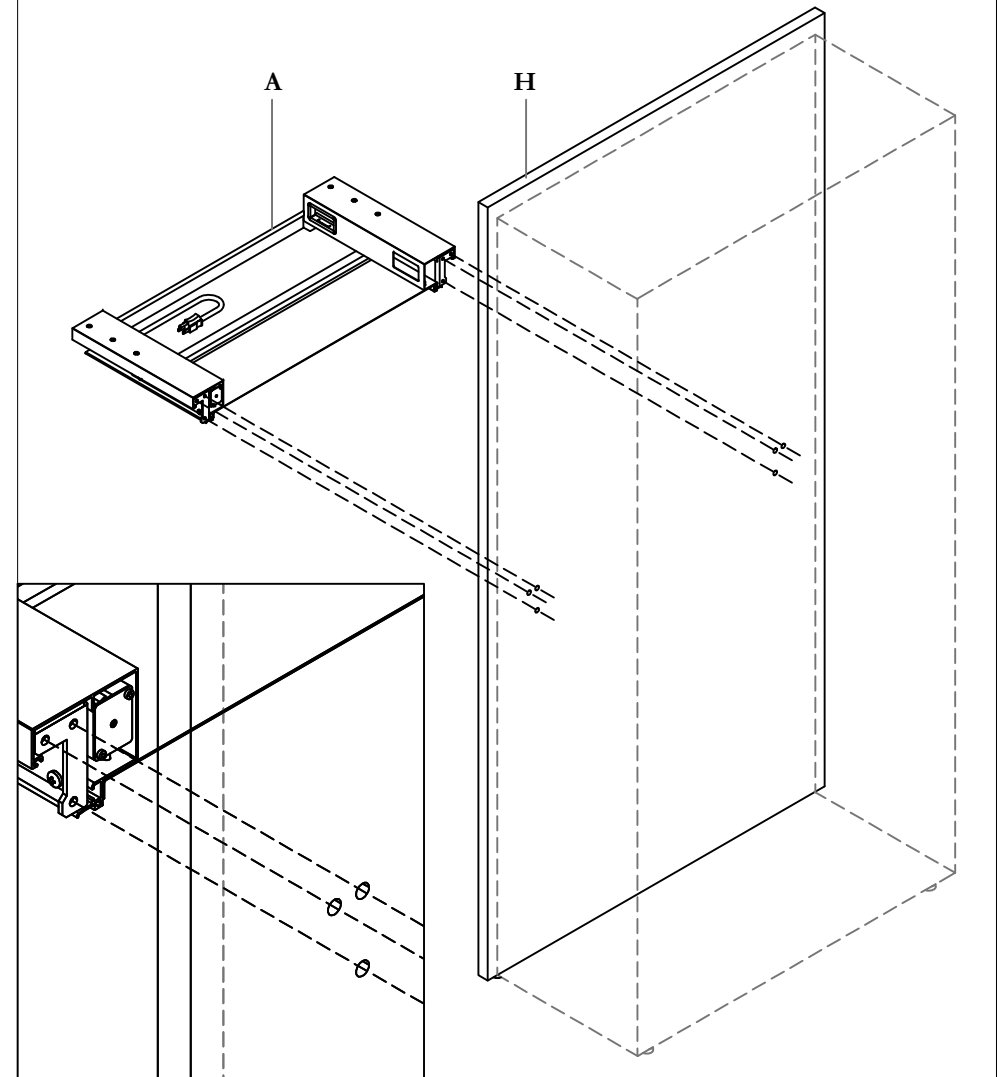
NOTE: Re-insert Covers after
Worksurface Support and
Worksurface are installed.



STEP 1: Slide out both Support Covers.

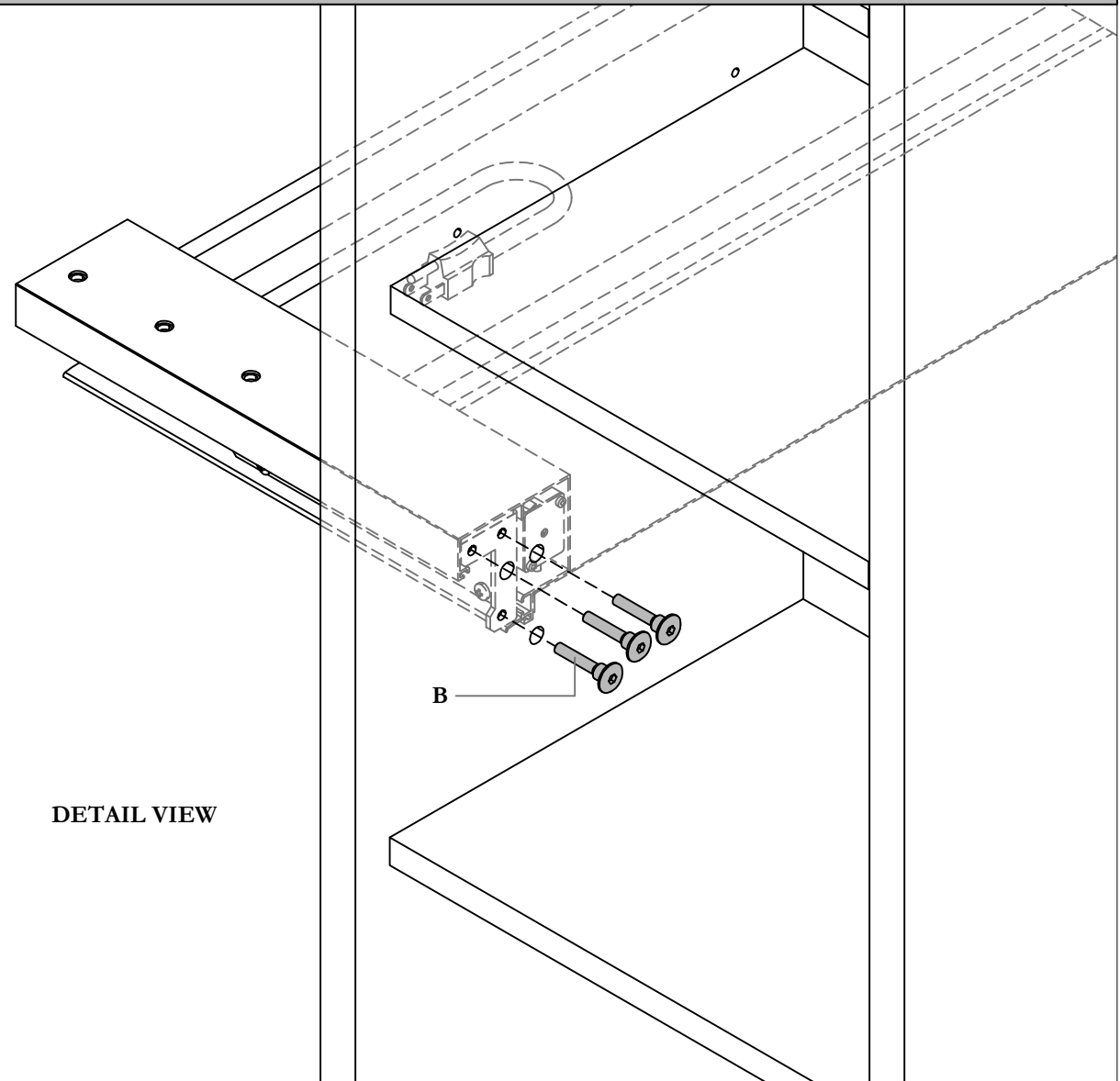
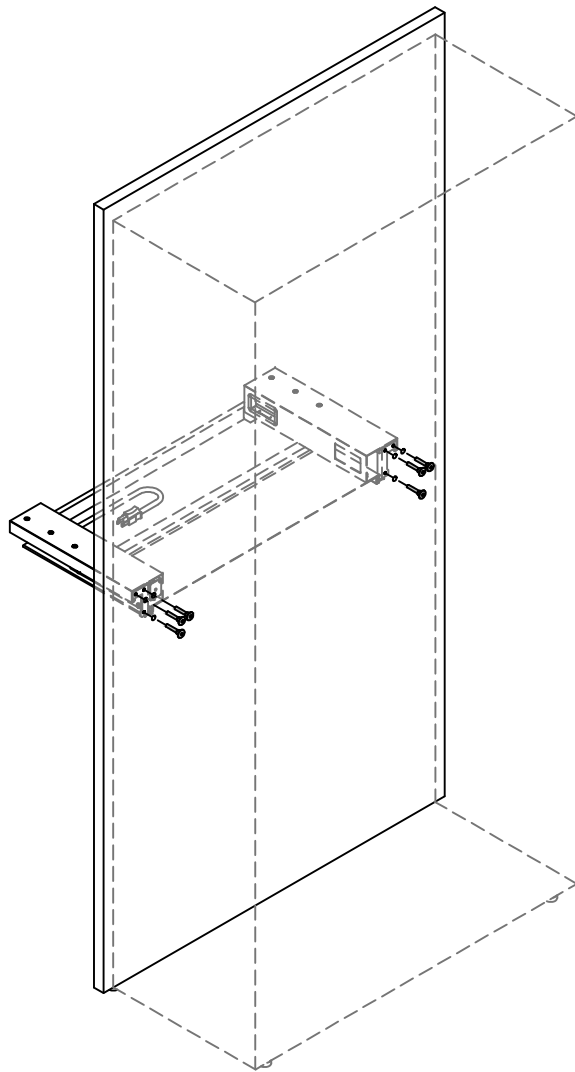
NOTE: Re-insert Covers after Worksurface Support and Worksurface are installed.

ALIGN SUPPORT ASSEMBLY



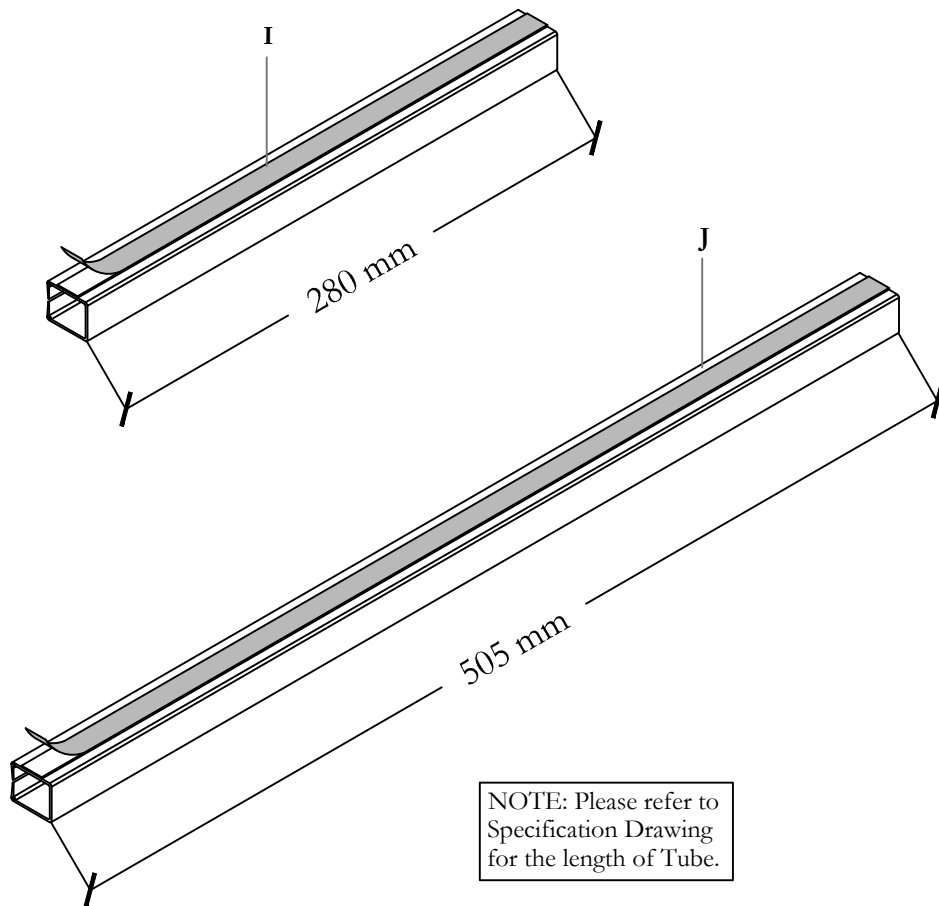
STEP 2: Align the pilot holes on the back of the Covers and Tower.

SECURE SUPPORT ASSEMBLY



DETAIL VIEW

WIRE MANAGEMENT TUBE (OPTION 1)

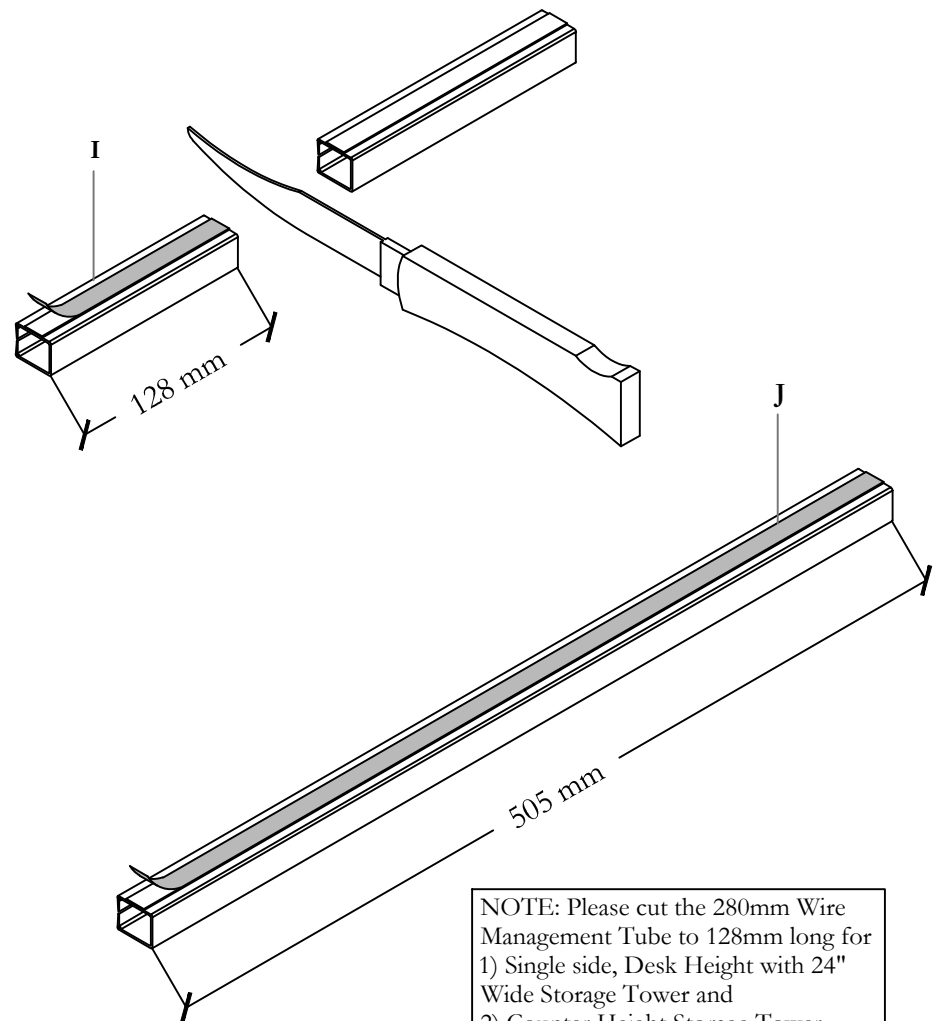


NOTE: Please refer to Specification Drawing for the length of Tube.

STEP 4a: Peel off the cover on Adhesive Strip.

NOTE: Please refer to Specification Drawing for the length of Tube.

WIRE MANAGEMENT TUBE (OPTION 2)

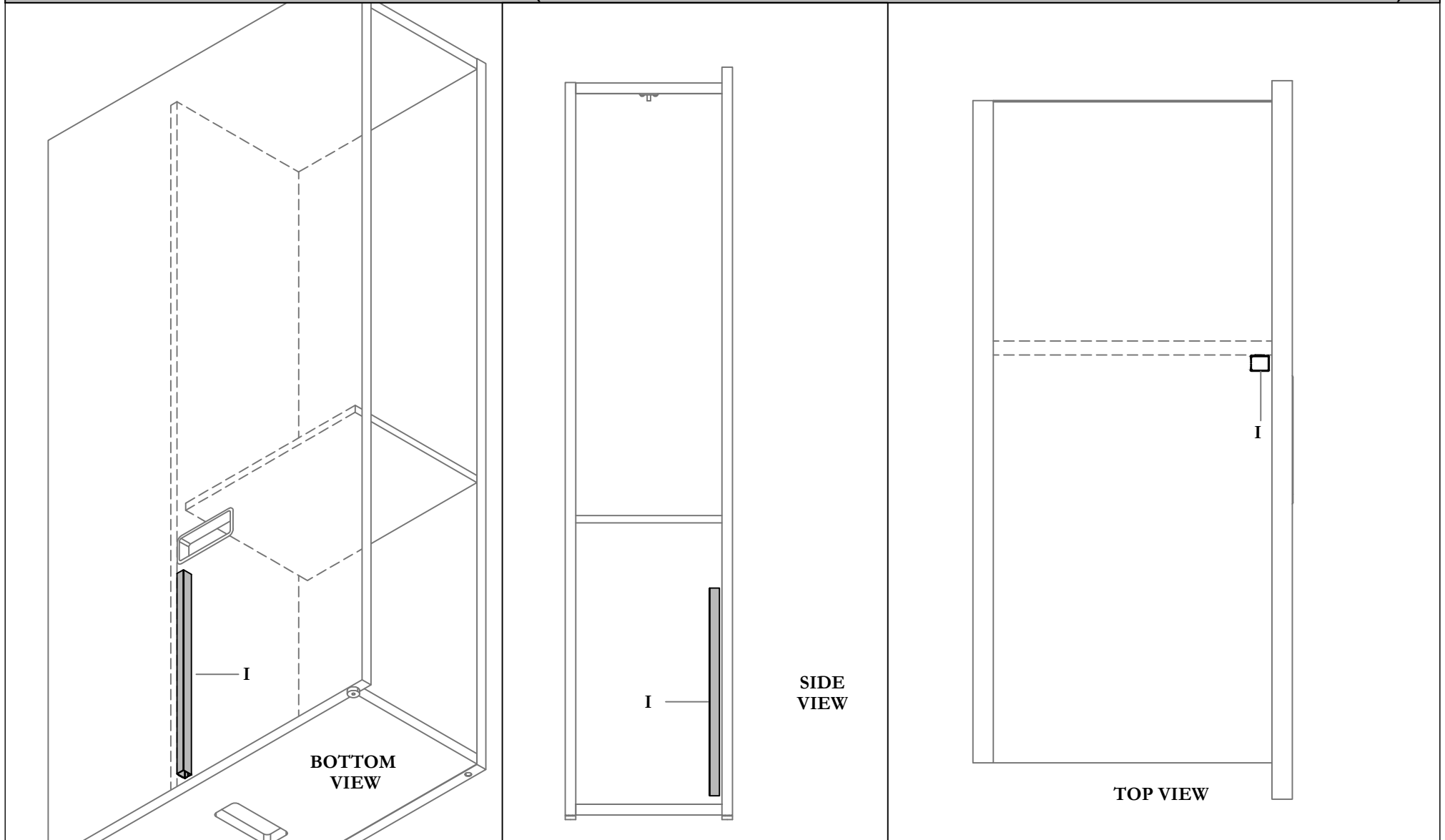


NOTE: Please cut the 280mm Wire Management Tube to 128mm long for 1) Single side, Desk Height with 24" Wide Storage Tower and 2) Counter Height Storage Tower.

STEP 4b: Cut Tube as per Specification Drawing. Peel off the cover on Adhesive Strip.

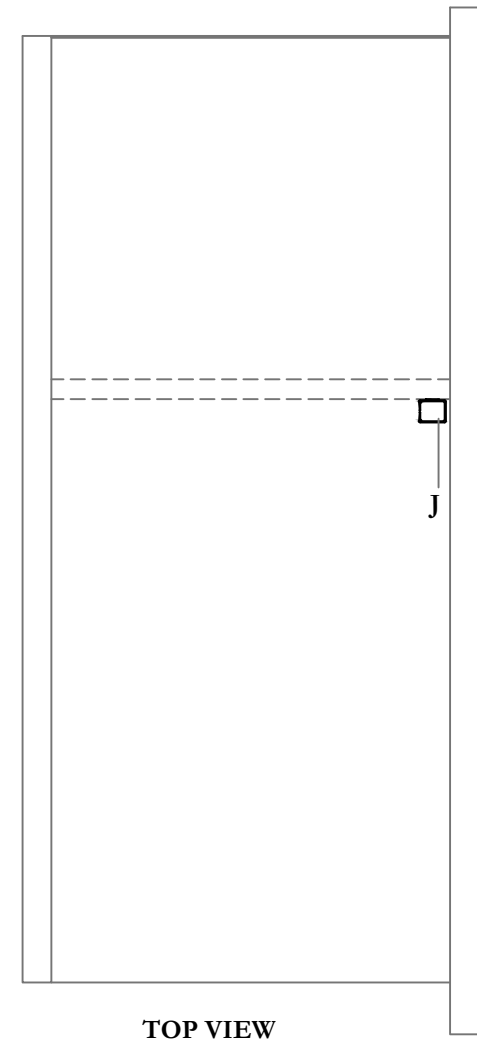
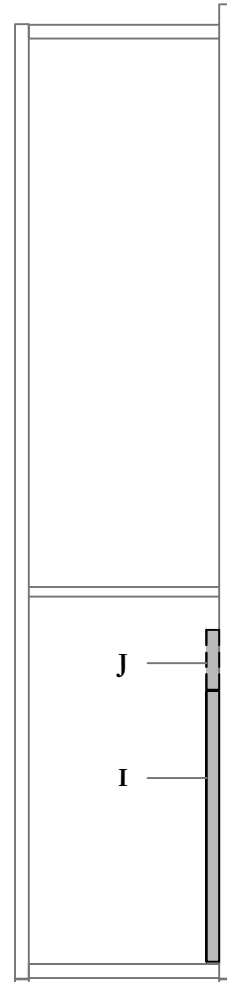
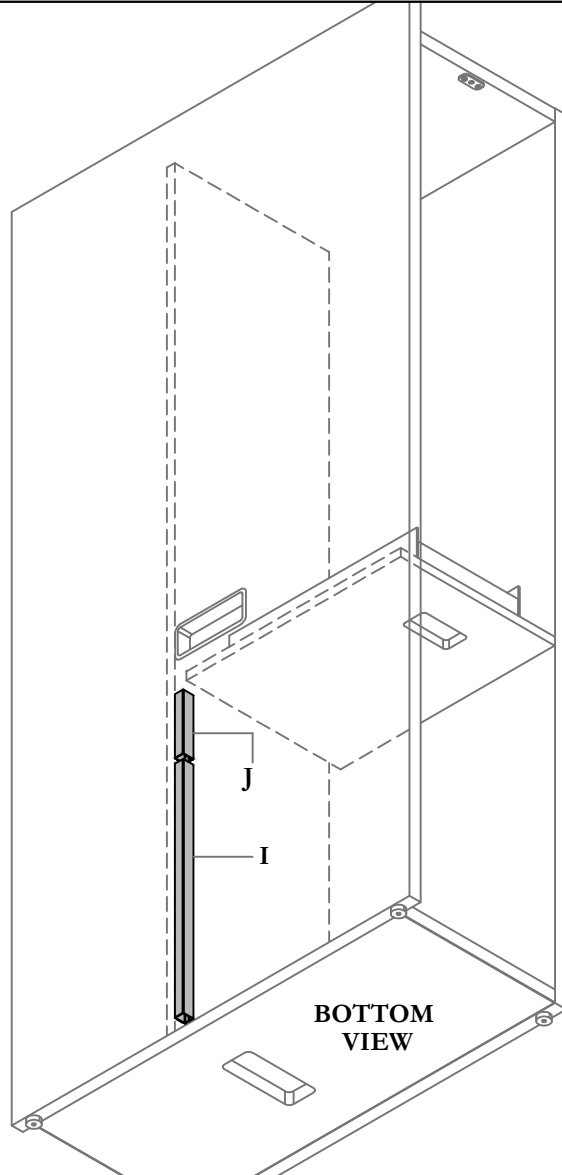
NOTE: Please cut the 280mm Wire Management Tube to 128mm long for 1) Single side, Desk Height with 24" Wide Storage Tower and 2) Counter Height Storage Tower.

ATTACH WIRE MANAGEMENT TUBE (DUAL SIDED, DESK HEIGHT WITH 36" WIDE STORAGE TOWER)



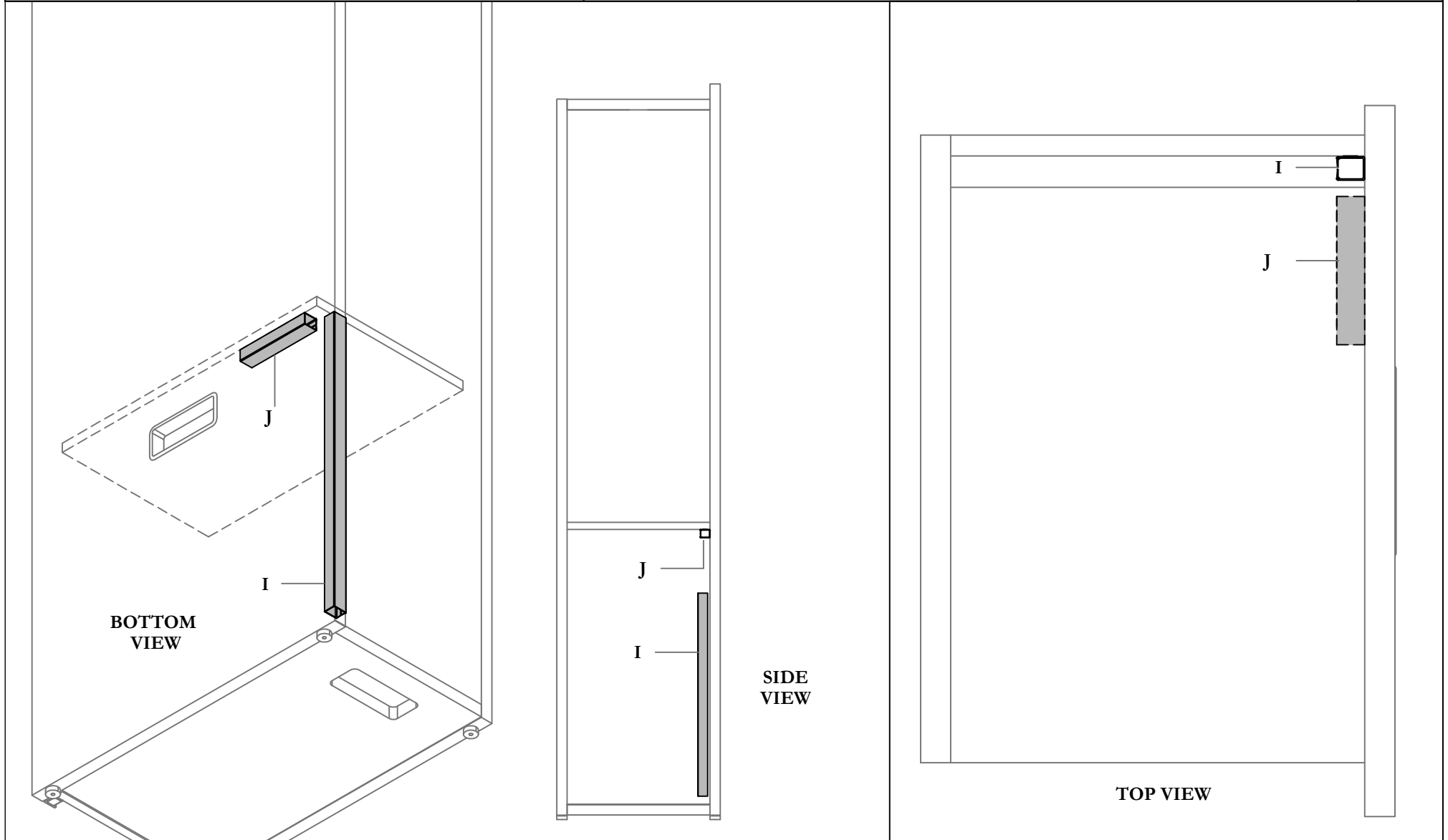
STEP 5a: Please attach Wire Management Tube as shown for Dual Sided Desk with 36" wide Storage Tower.

ATTACH WIRE MANAGEMENT TUBE (COUNTER HEIGHT STORAGE TOWER)



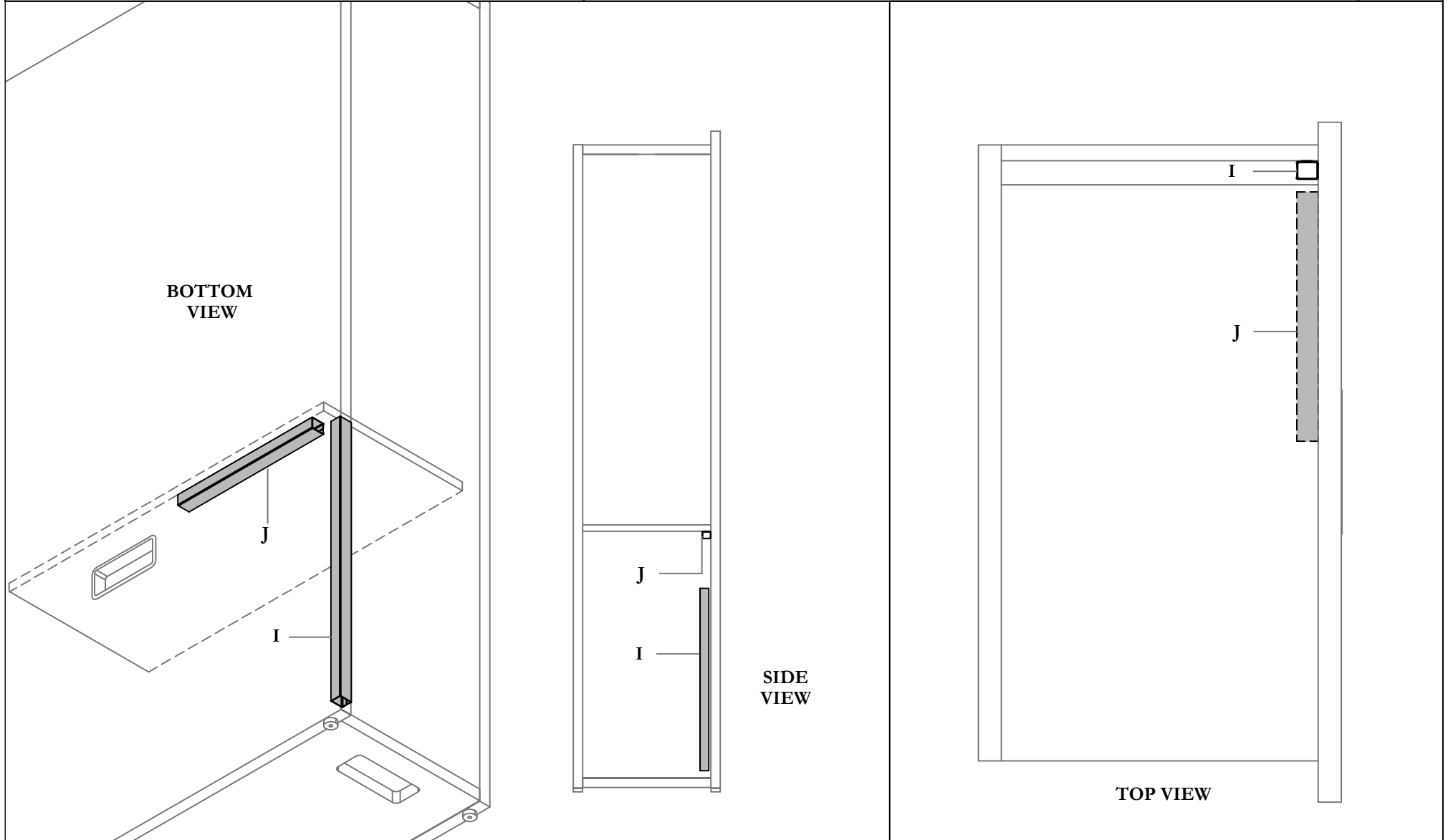
STEP 5b: Please attach Wire Management Tube as shown for Counter Height Storage Tower.

ATTACH WIRE MANAGEMENT TUBE (SINGLE SIDED, DESK HEIGHT WITH 24" WIDE STORAGE)



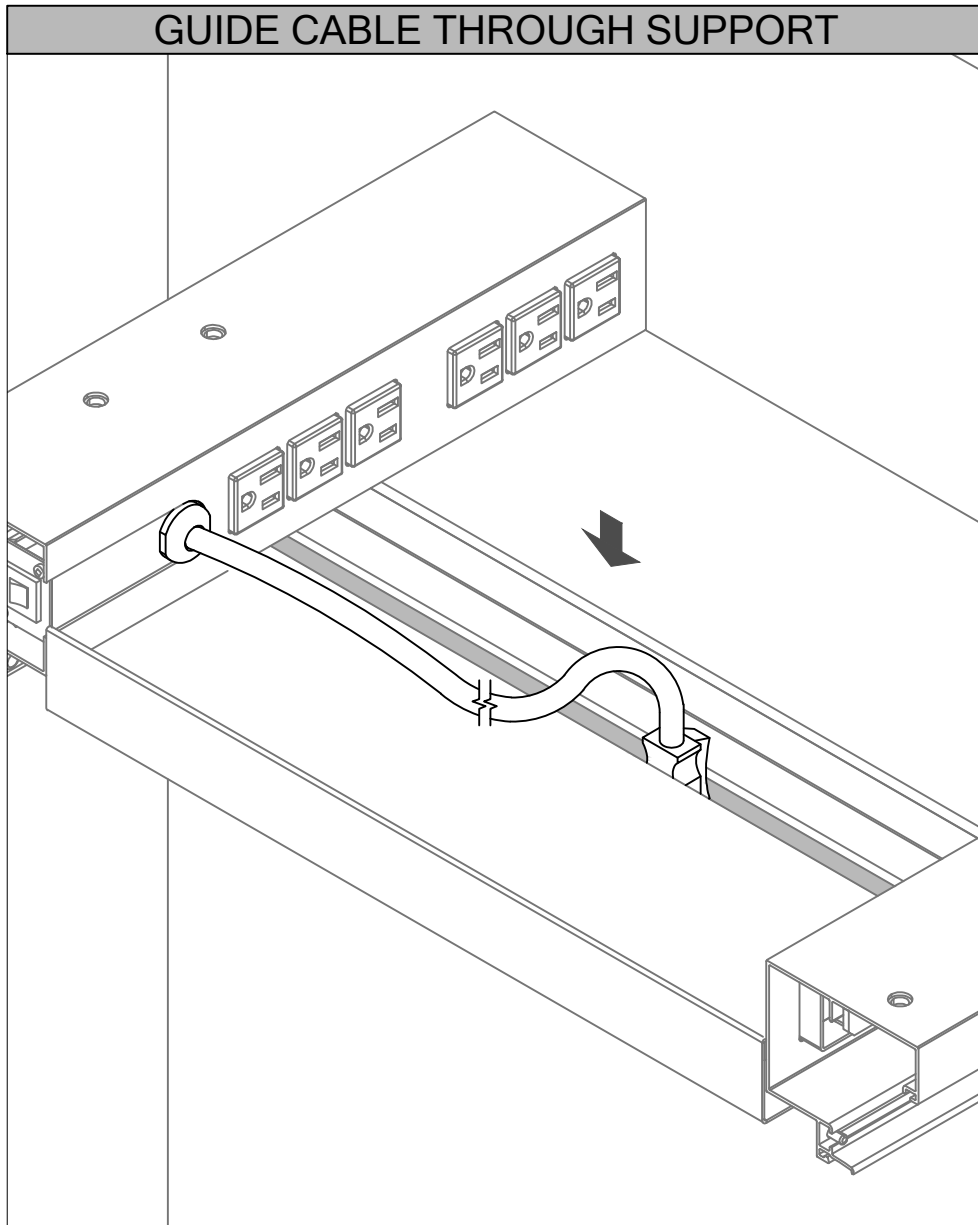
STEP 5c: Please attach Wire Management Tube as shown for Single Side, Desk Height with 24" Wide Storage Tower.

ATTACH WIRE MANAGEMENT TUBE (SINGLE SIDED, DESK HEIGHT WITH 30" WIDE STORAGE)



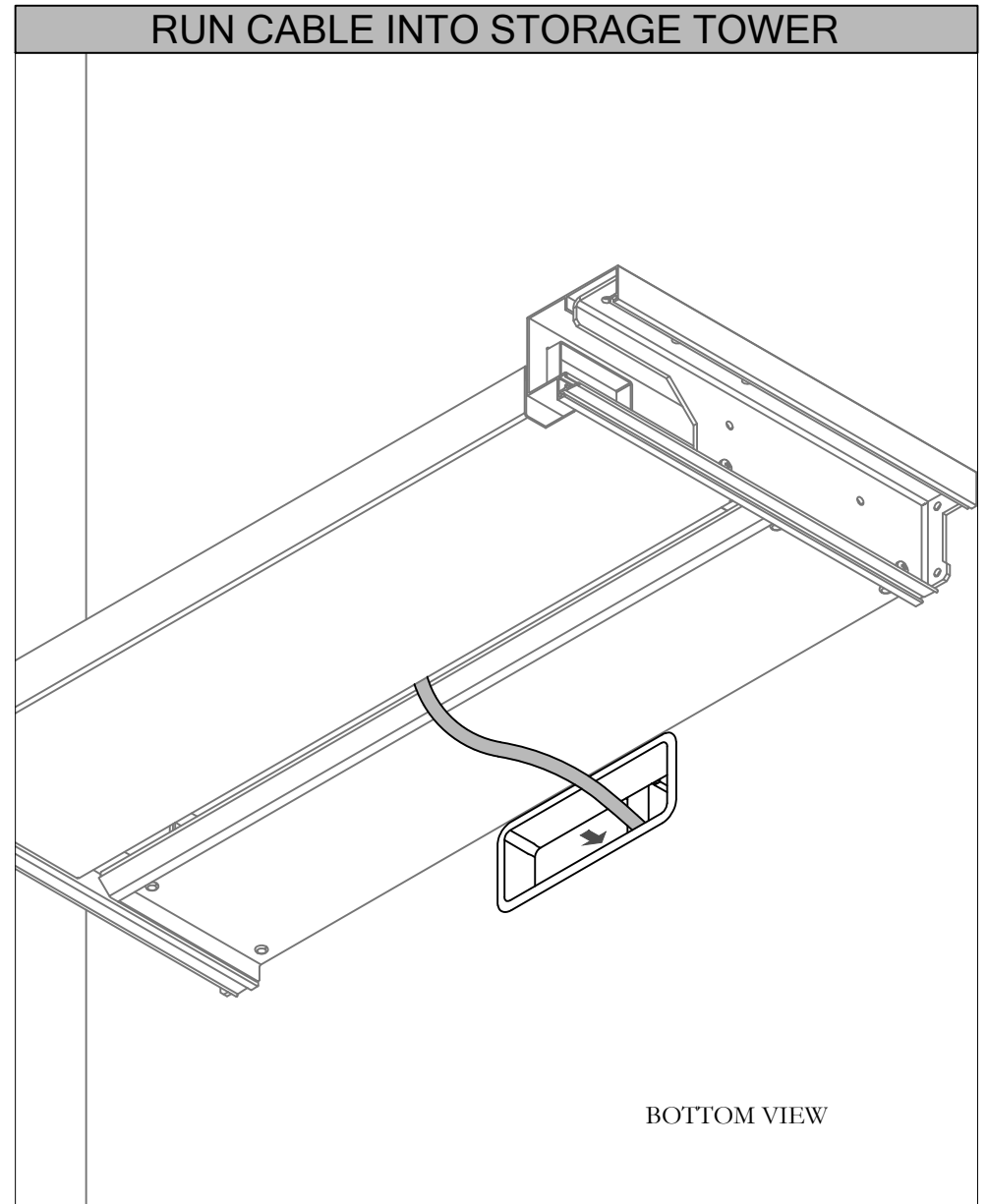
STEP 5d: Please attach Wire Management Tube as shown for Single Side, Desk Height with 30" Wide Storage Tower.

GUIDE CABLE THROUGH SUPPORT



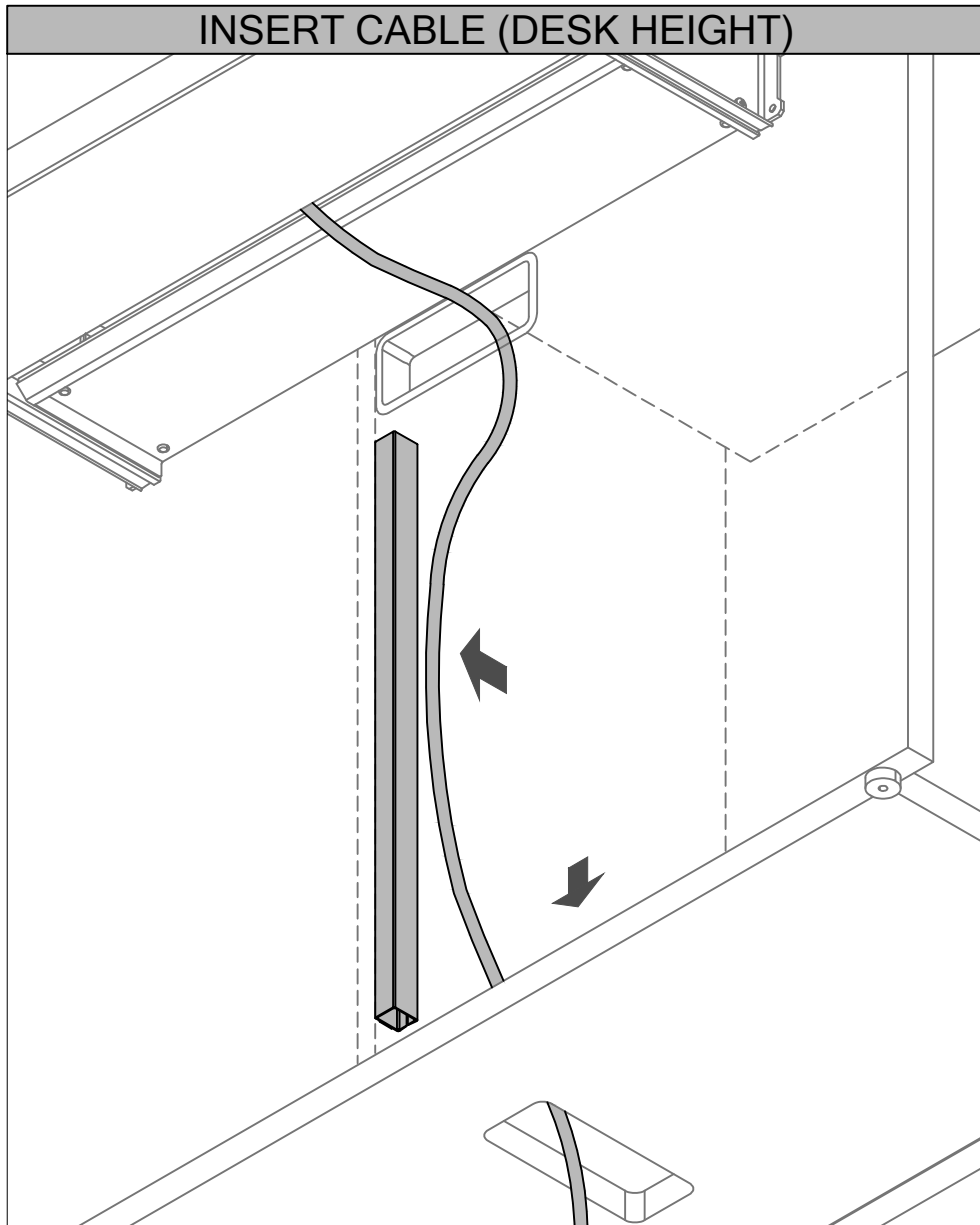
STEP 6: Guide Cable through Worksurface Support.

RUN CABLE INTO STORAGE TOWER

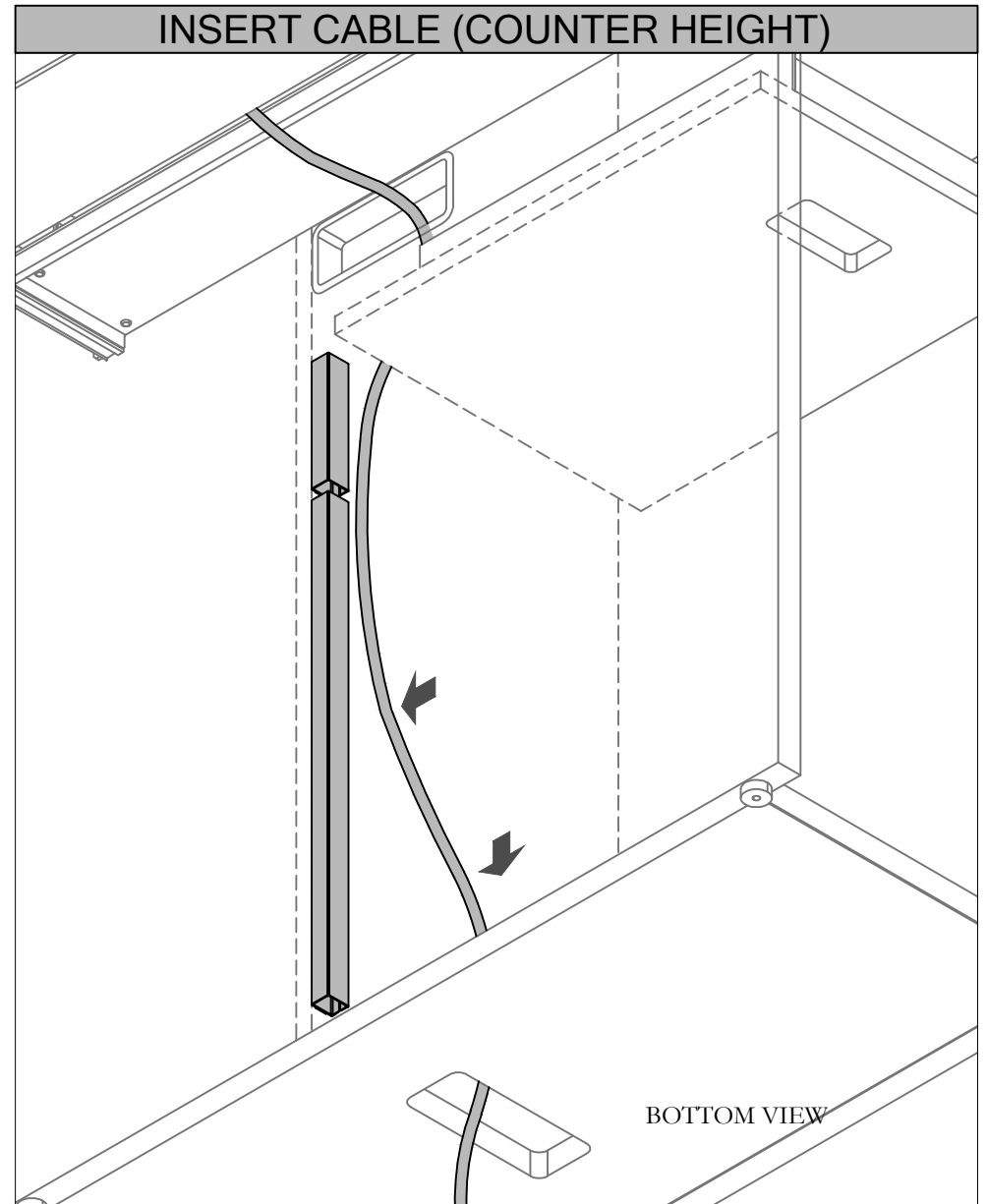


BOTTOM VIEW

STEP 7: Run Cable into Storage Tower.



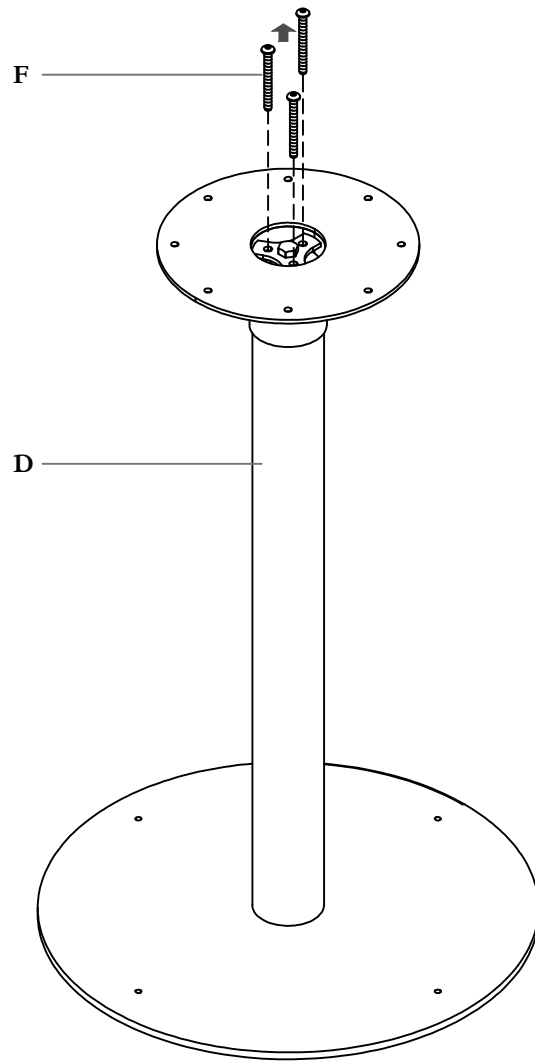
STEP 8a: Insert Cable into Wire Management Tube.



STEP 8b: Insert Cable into Wire Management Tube.

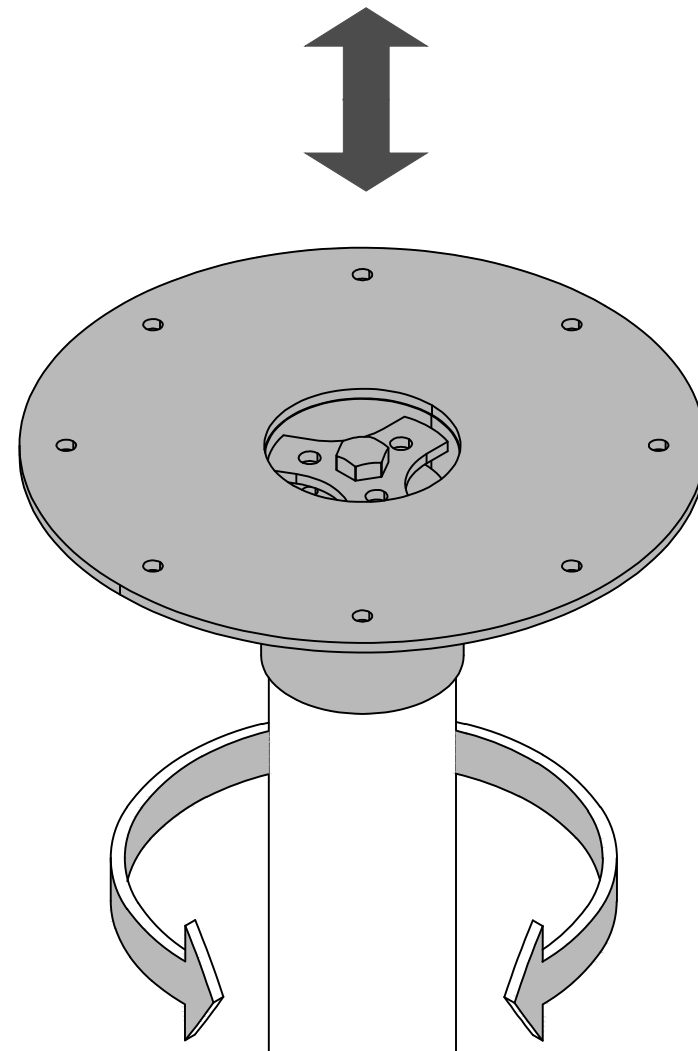
BOTTOM VIEW

REMOVE LOCKING SCREWS



STEP 9: Remove Locking Screws from Pedestal Leg.

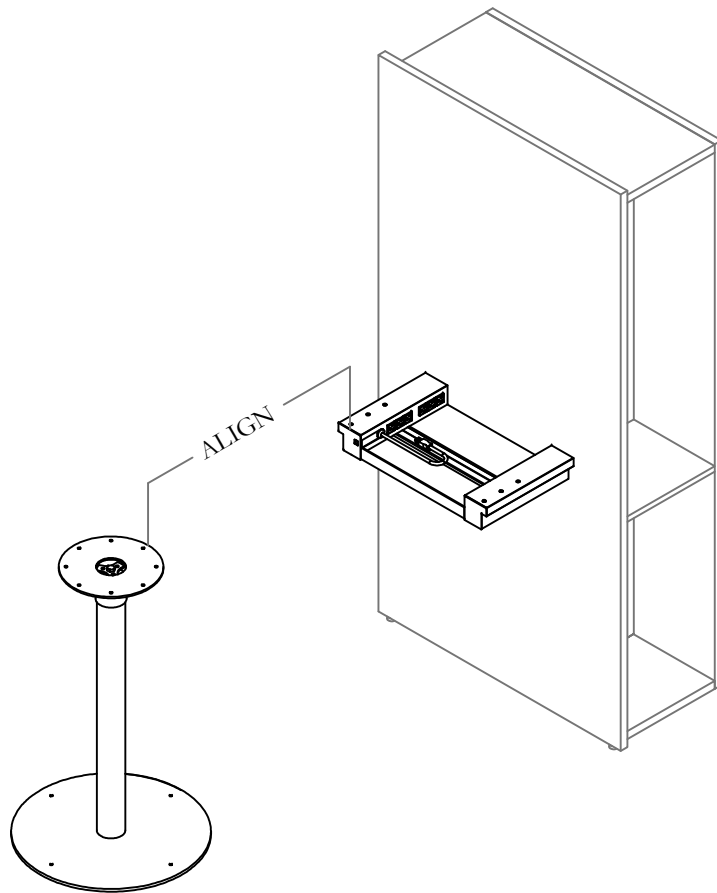
ADJUST HEIGHT



STEP 10: Rotate The Top Plate from Pedestal Leg to the same height as the Bridge Connection.

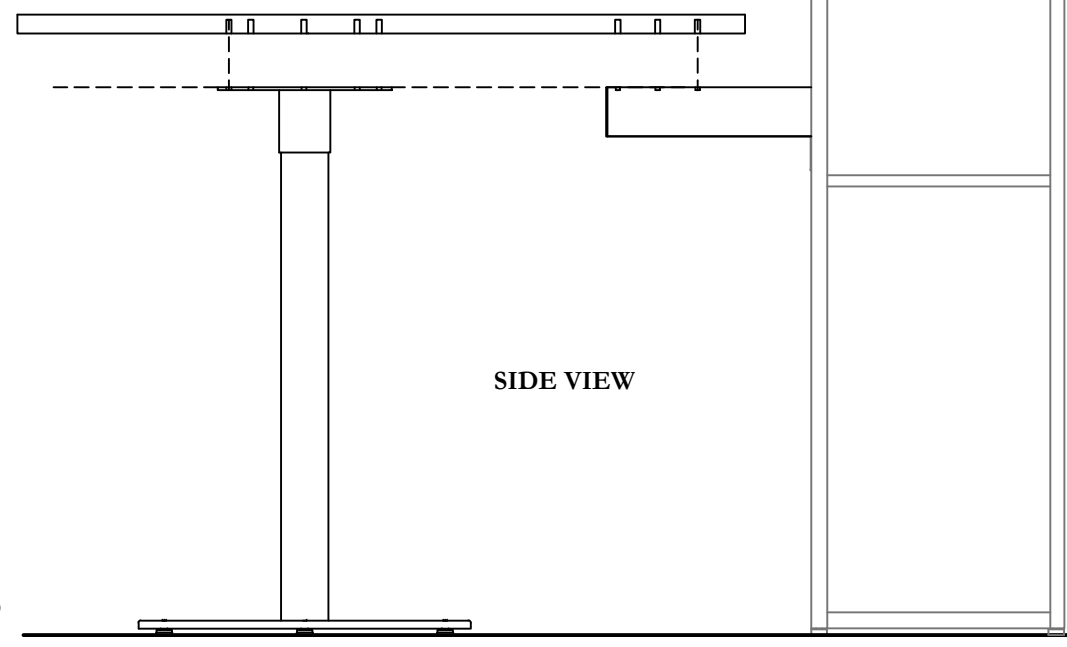
NOTE: Please refer to next page and Specification Drawing for the height of the Pedestal Leg.

NOTE



NOTE: Align the pilot holes under Worksurface corresponding to Pedestal Leg and Worksurface Support.

ALIGN

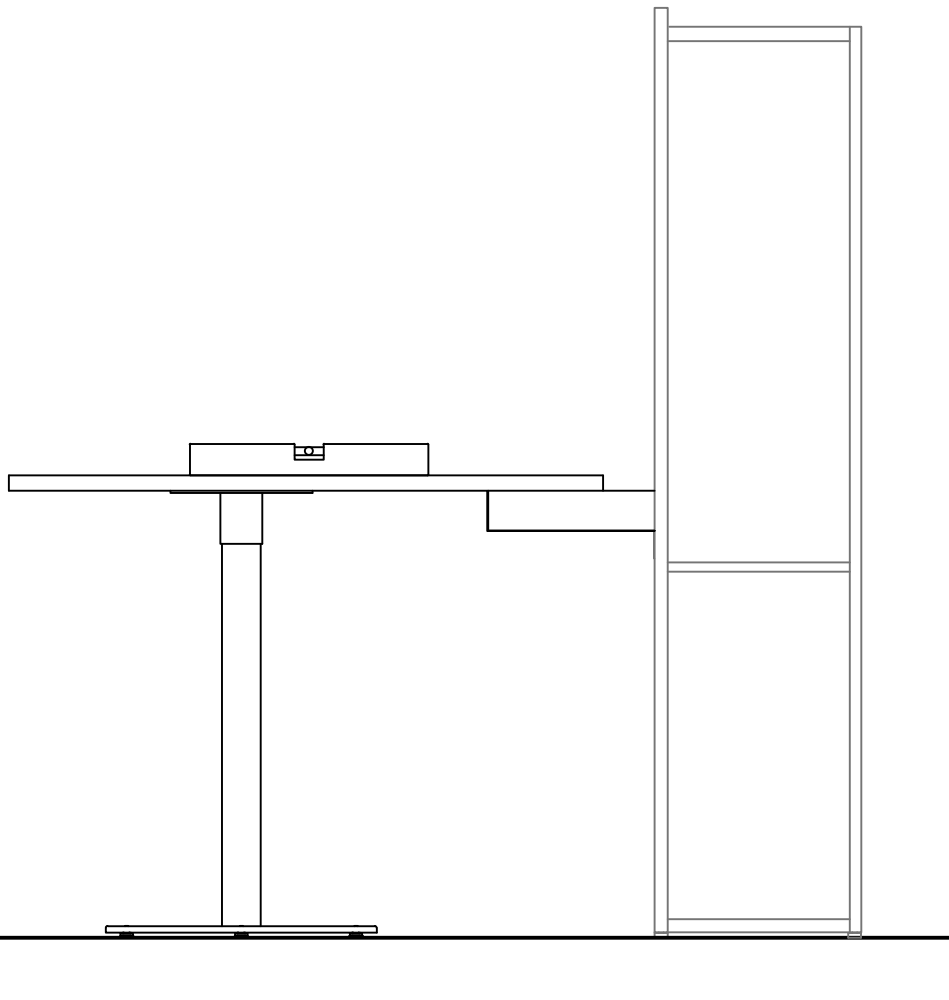


SIDE VIEW

FINISHED FLOOR

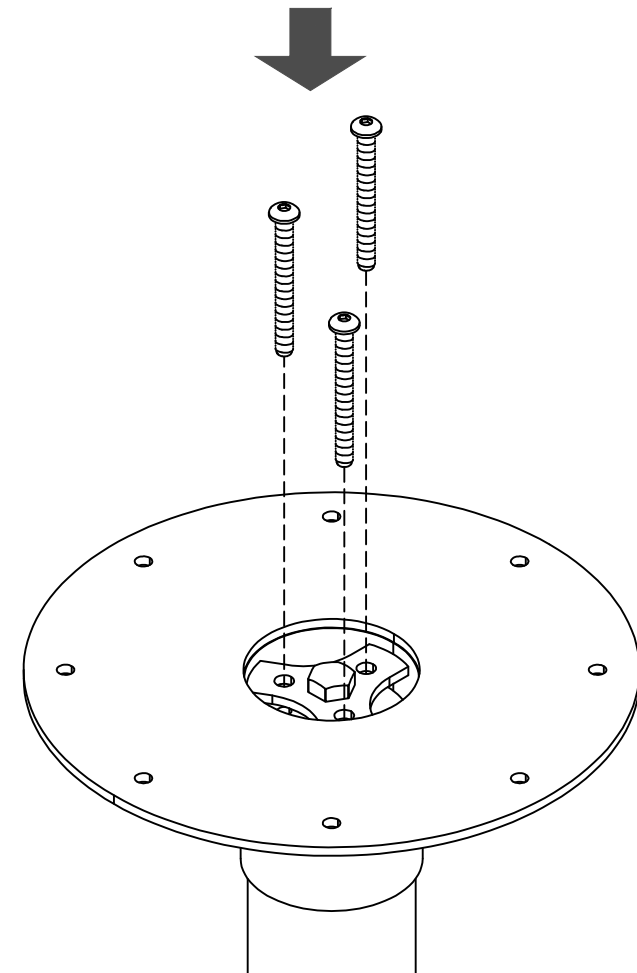
NOTE: Please measure the height of the Bridge Connection and adjust the Pedestal Leg to the same height. Align the pilot holes under Worksurface corresponding to Pedestal Leg and Worksurface Support.

LEVEL WORKSURFACE



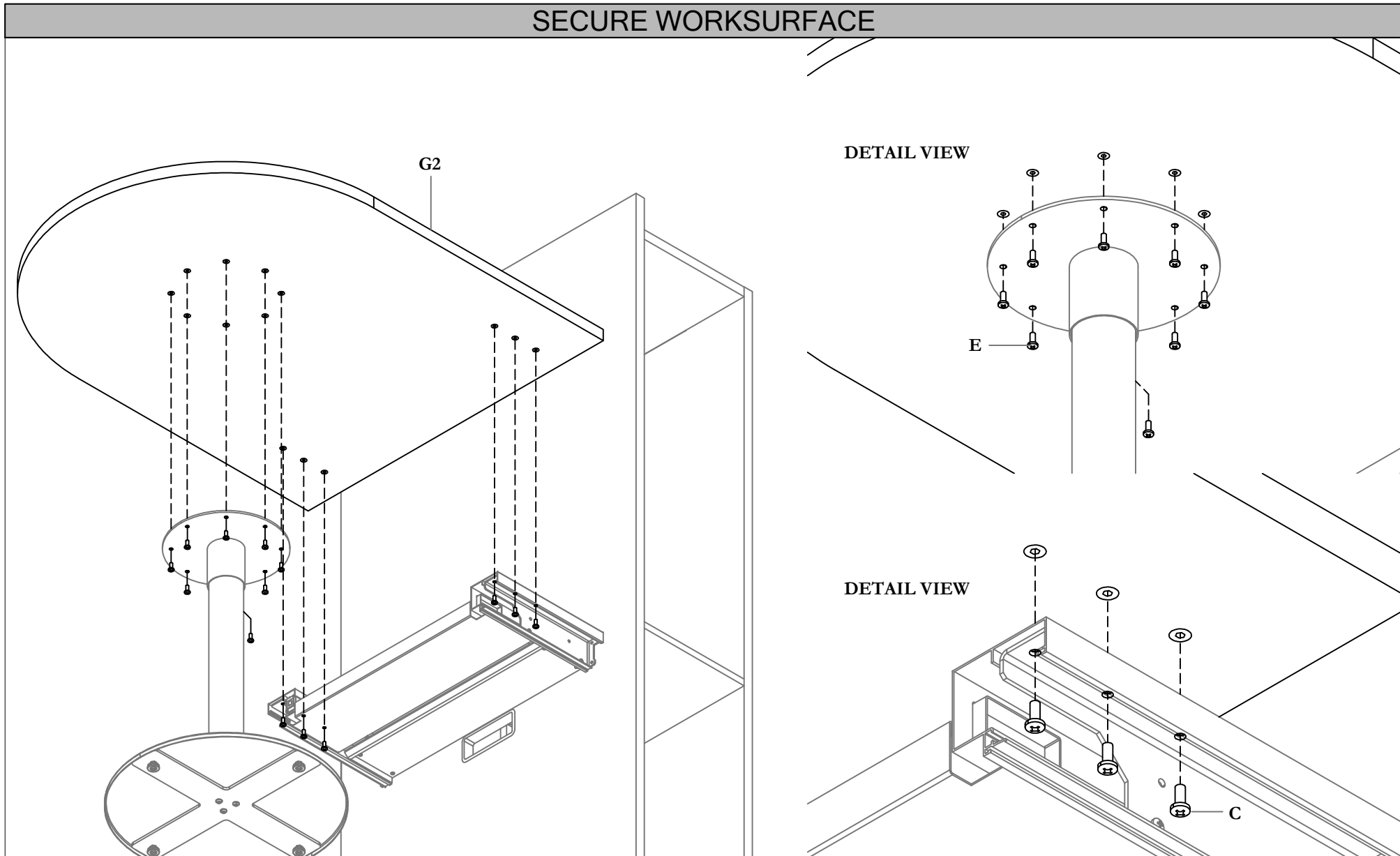
STEP 11: Lay Worksurface on Bridge Connection and Pedestal Leg, then level it.

SECURE PEDESTAL LEG



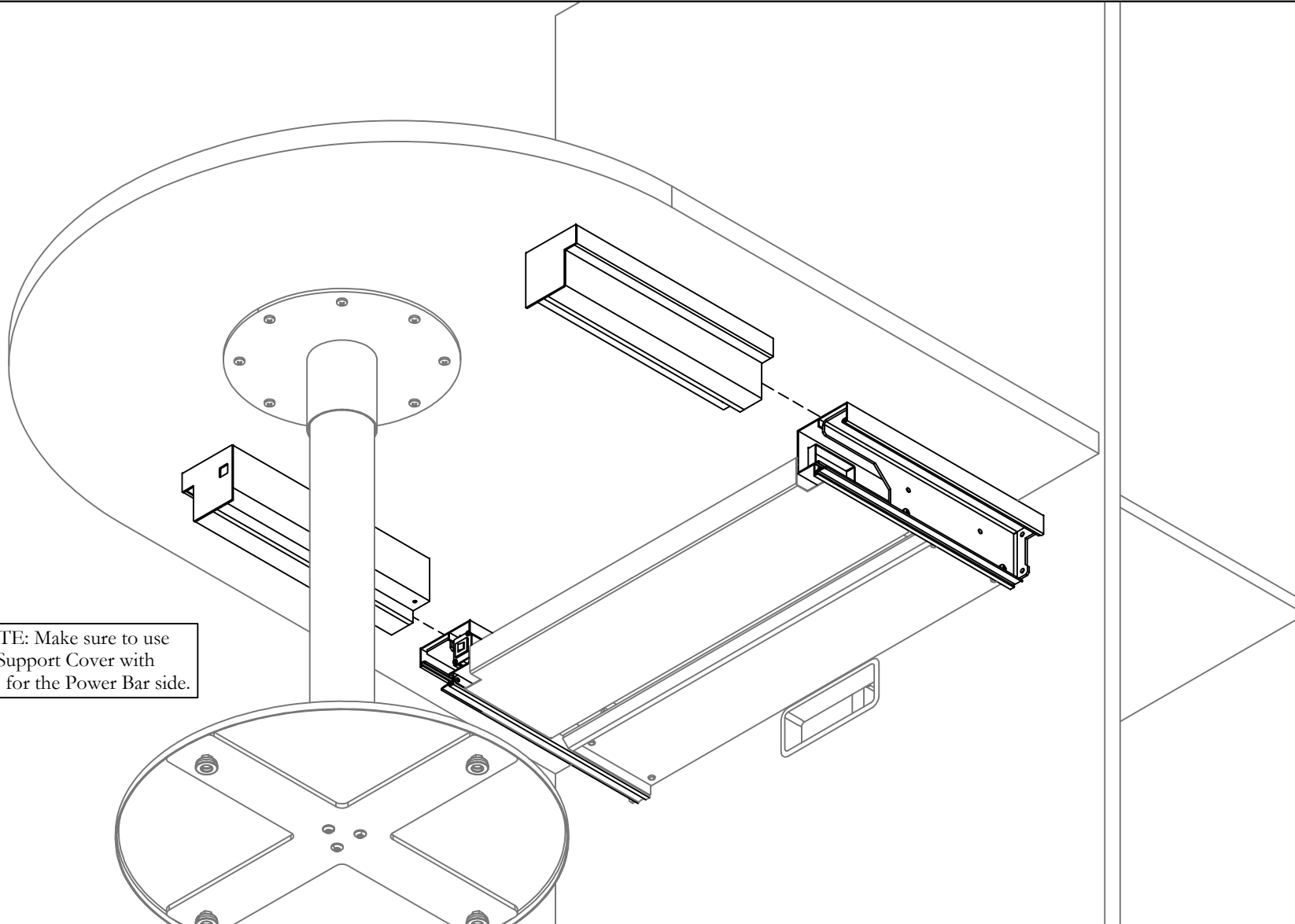
STEP 12: Remove Worksurface, and fasten Screws on Pedestal Leg as shown to lock it in the adjusted height.

SECURE WORKSURFACE



STEP 13: Secure Worksurface on Support and Pedestal Leg with Screws.

RE-INSERT WORKSURFACE SUPPORT COVER



NOTE: Make sure to use the Support Cover with hole for the Power Bar side.

STEP 14: Re-insert Worksurface Support Cover.

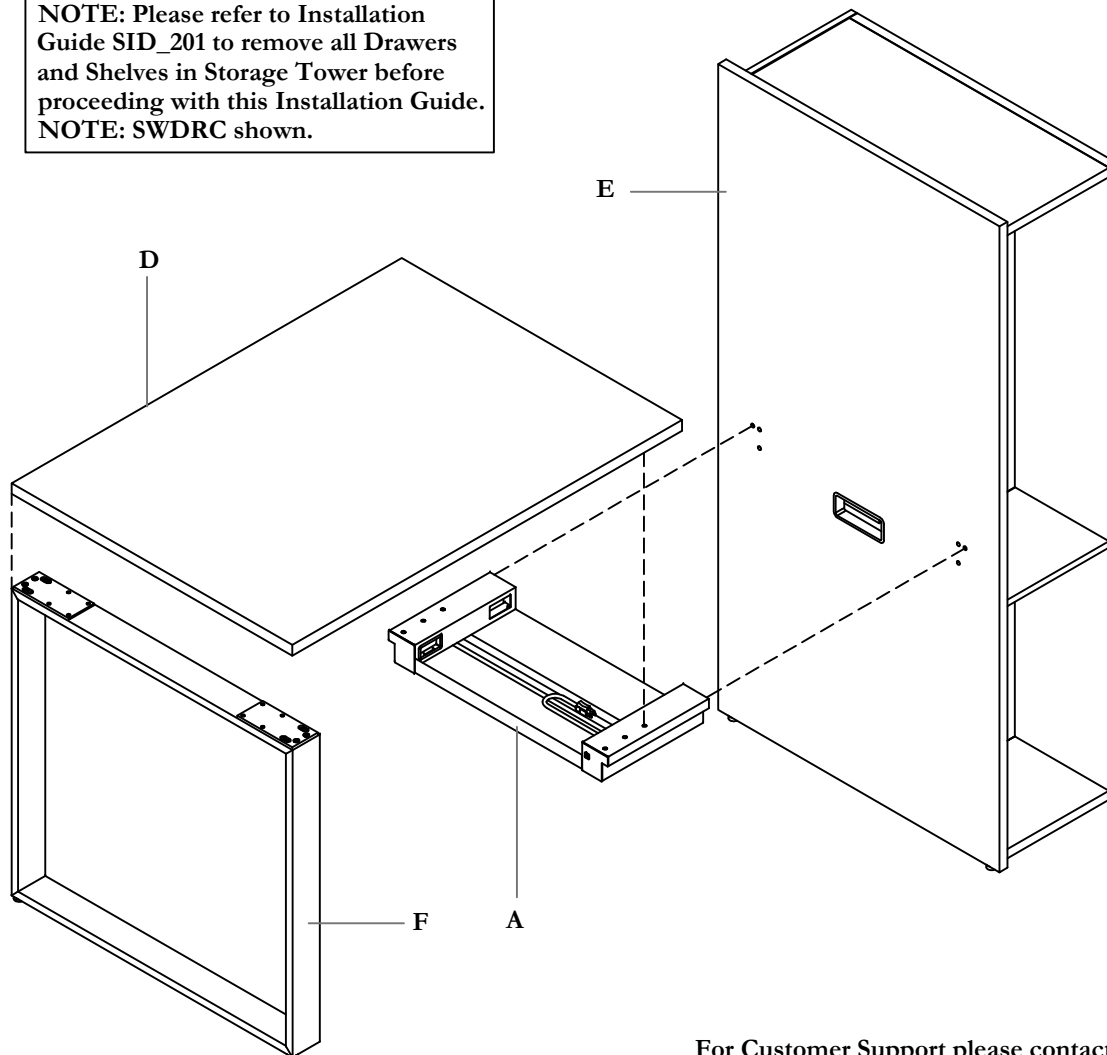
NOTE: Make sure to use the Support Cover with hole for the Power Bar side.

Section: **SOLO, CONSULTATION AND MEETING**

Description: **DESK/HUB WITH RECTANGULAR SURFACE, FRAME LEG AND WIRE MANAGEMENT**

SWDSA, SWDSB, SWDSC, SWDSD, SWDSE, SWDSF, SWDRA,
SWDRB, SWDRC, SWDRD, SWDRE, SWDRF, SWERB, SWCRA,
SWCRB, SWCRE, and SWCRF

NOTE: Please refer to Installation Guide SID_201 to remove all Drawers and Shelves in Storage Tower before proceeding with this Installation Guide.
NOTE: SWDRC shown.



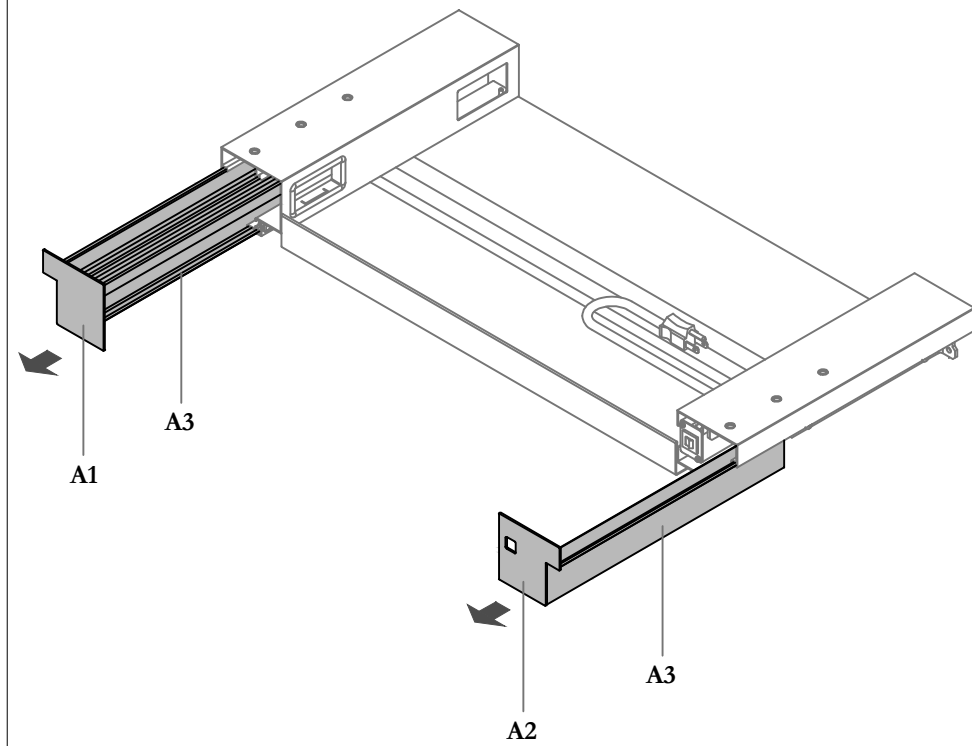
For Customer Support please contact
product.support@teknion.com

Part and Product Identification

<p>(N80-67004+XXL) x1</p> <p>A1 - Cover Without Hole (N80-67015X) x1</p> <p>A2 - Cover With Hole (N80-67016X) x1</p> <p>A - Worksurface Support Assembly</p> <p>A3 - Worksurface Support Cover (A23-67001) x2</p>	
<p>B - Murakoshi Screws (E02-50153) x 6</p>	<p>C - Bolts (E01-50403) x 6</p>
<p>D - Rectangular Surface (SWWDRYY(XX-XX)6) x1</p>	<p>E - Freestanding Storage Tower (STSWCWXX3672XX) x1 Or (STSWCMAX3672XX) x1 Or (STSWDWBX3651XX) x1 Or (STSWDWXXYY72XX) x1 Or (STSWDWXX3672XX) x1 Or (STSWLMBX3651XX) x1</p>
<p>F - Foot Frame Assembly (Open) (N80-64157+24+29) x1 Or (N80-64157+30+29) x1 Or (N80-64157+36+29) x1 Or (N80-64157+36+36) x1</p>	<p>G - Frame Bracket Hardware Kit (X80-64117) x1</p>
<p>H - Wire Management Tube With Adhesive Strip (B11-67000+29) x 1</p>	<p>I - Wire Management Tube With Adhesive Strip (B11-67000+11) x 1</p>

SLIDE OUT COVERS

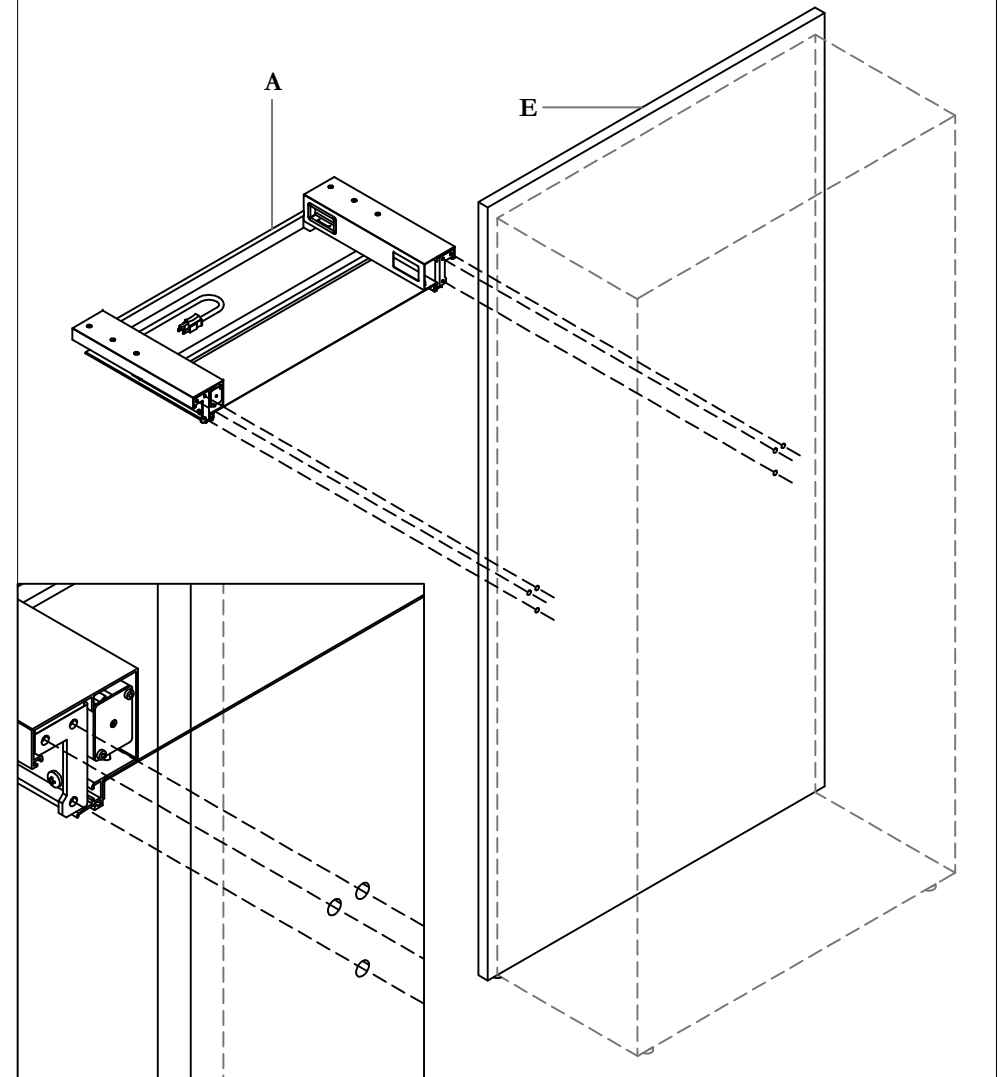
NOTE: Re-insert Covers after
Worksurface Support and
Worksurface are installed.



STEP 1: Slide out both Support Covers.

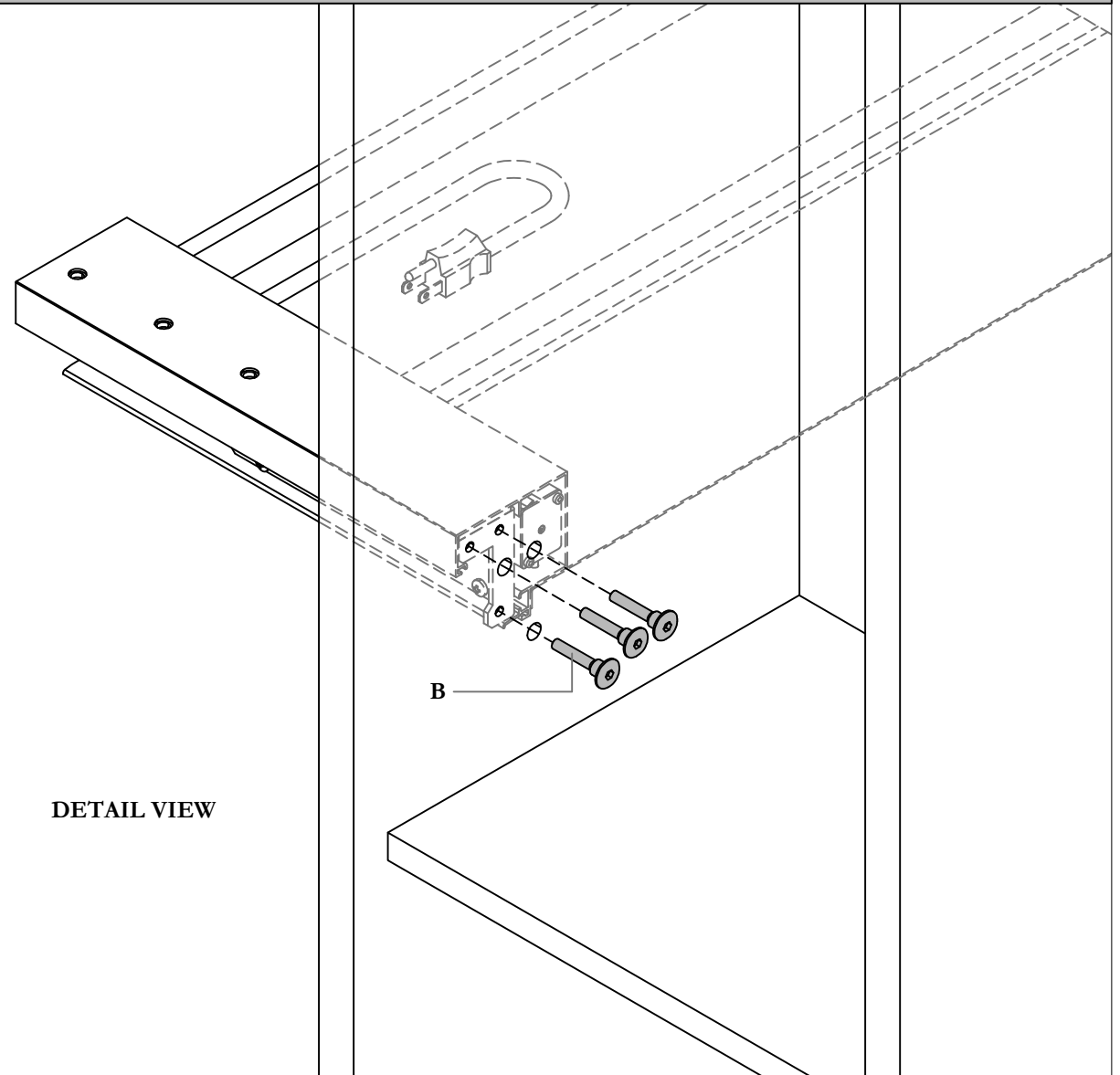
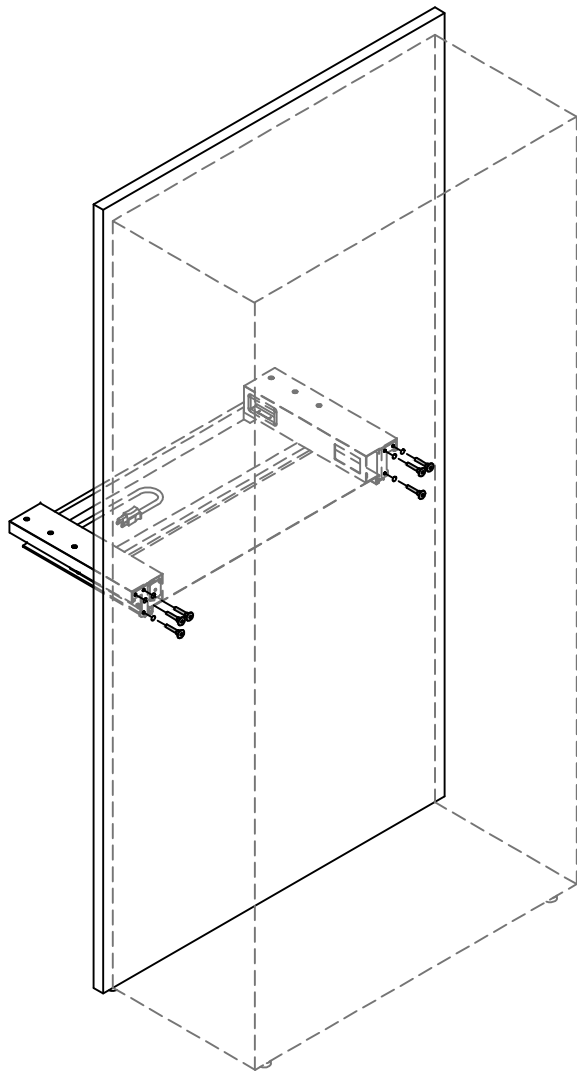
NOTE: Re-insert Covers after Worksurface Support and Worksurface are installed.

ALIGN SUPPORT ASSEMBLY



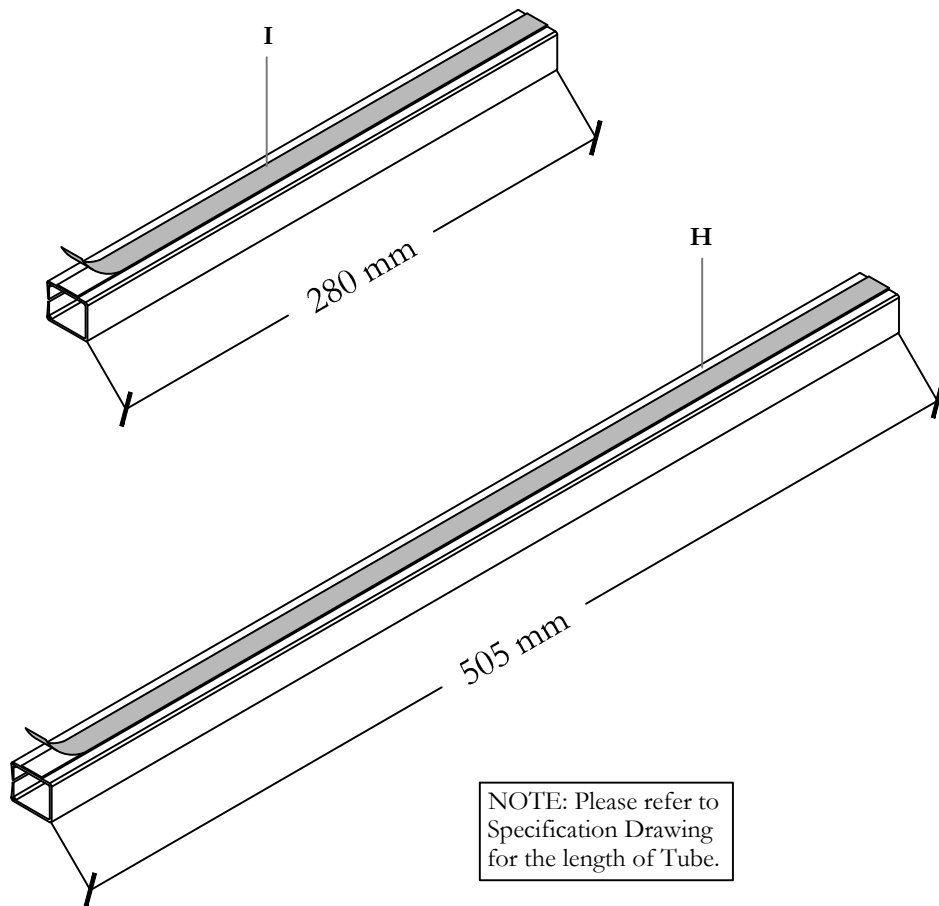
STEP 2: Align the pilot holes on the back of the Covers and Tower.

SECURE SUPPORT ASSEMBLY



DETAIL VIEW

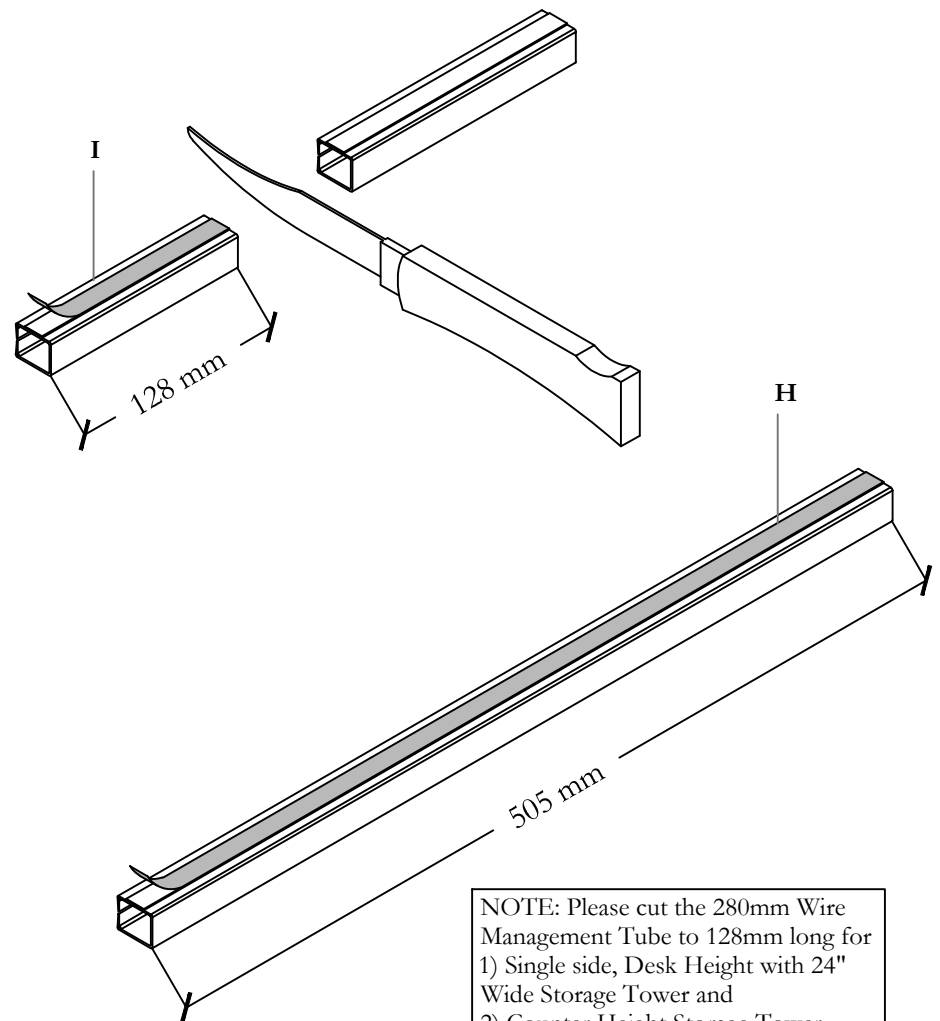
WIRE MANAGEMENT TUBE (OPTION 1)



STEP 4a: Peel off the cover on Adhesive Strip.

NOTE: Please refer to Specification Drawing for the length of Tube.

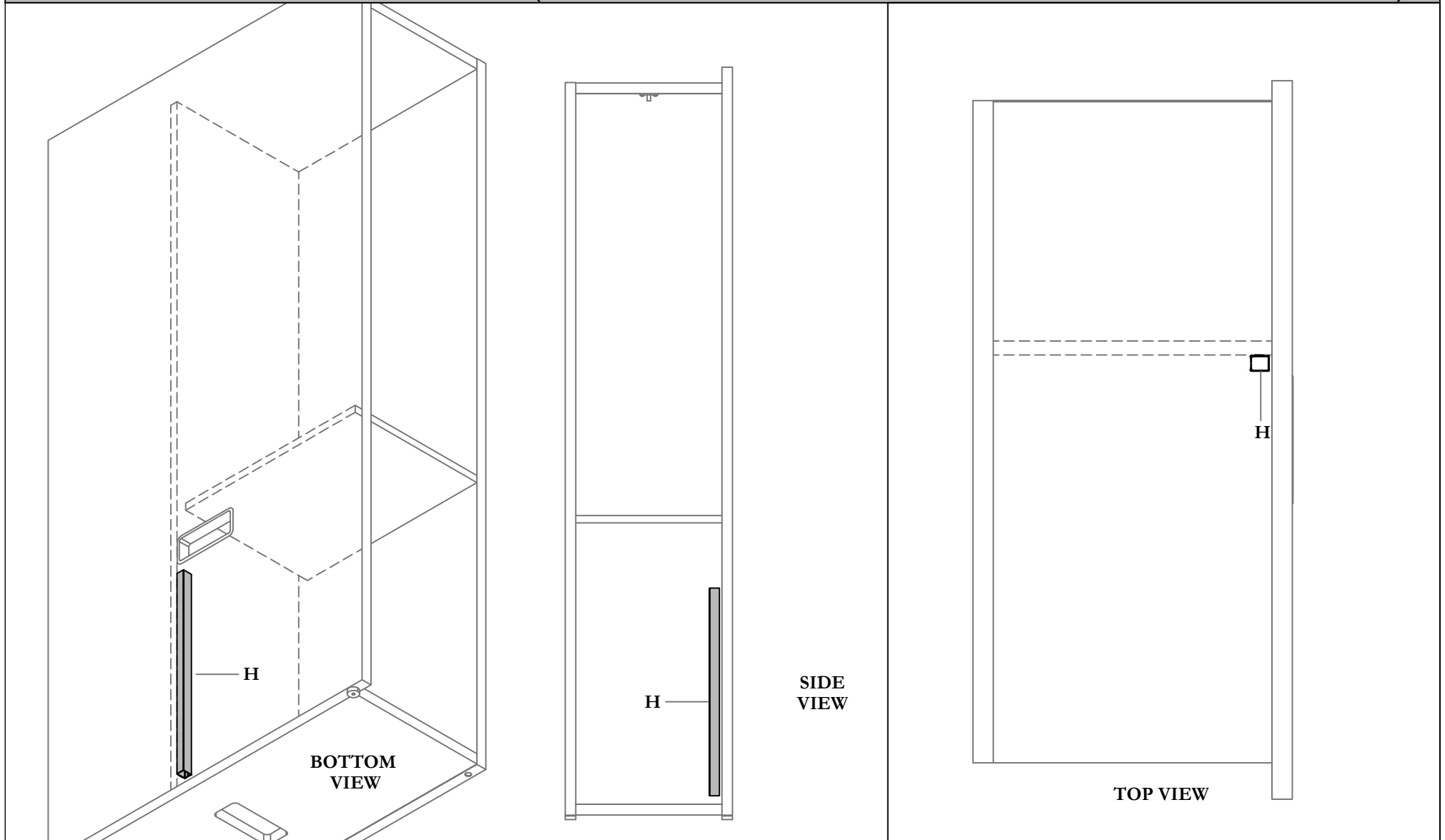
WIRE MANAGEMENT TUBE (OPTION 2)



STEP 4b: Cut Tube as per Specification Drawing. Peel off the cover on Adhesive Strip.

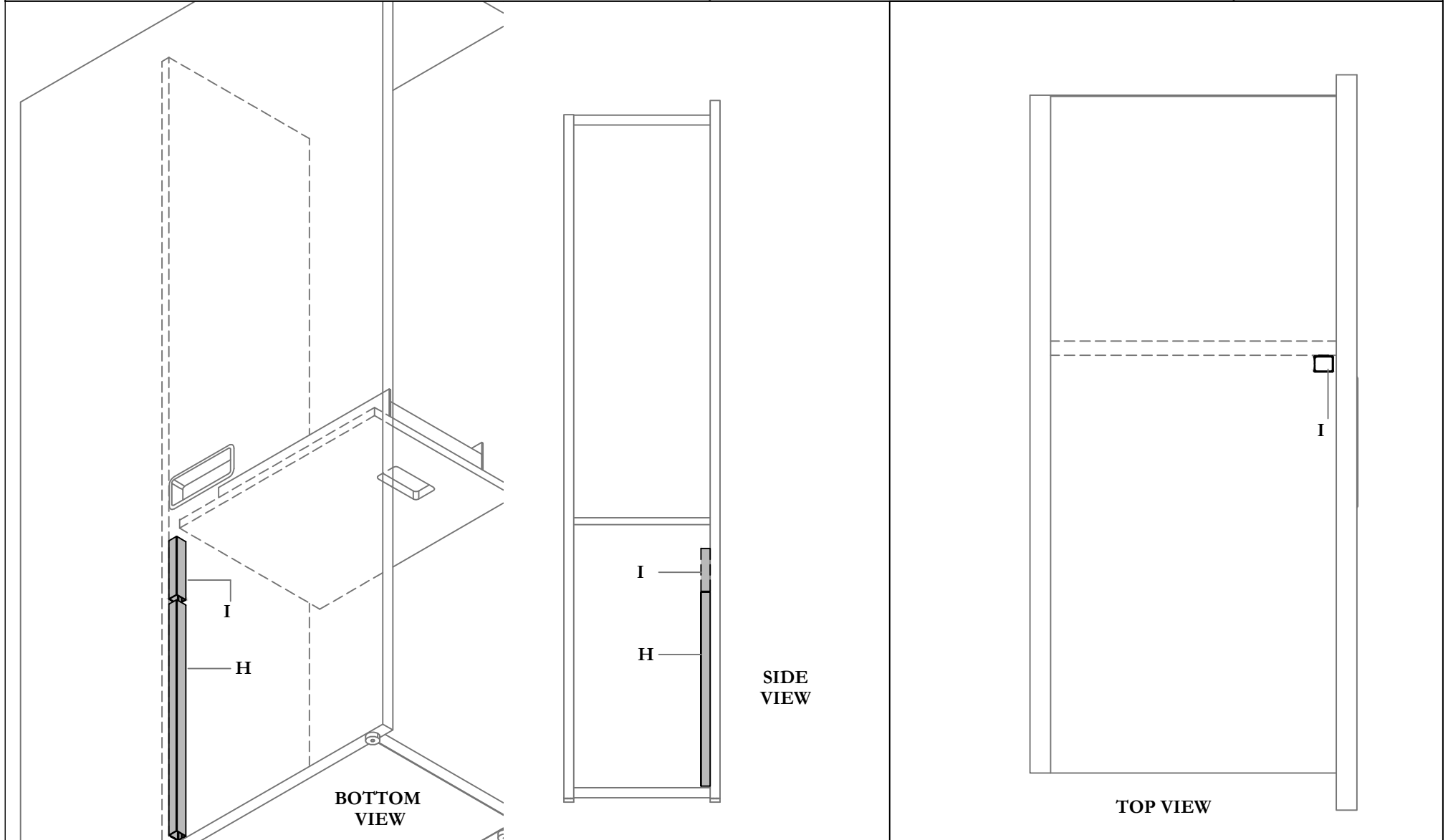
NOTE: Please cut the 280mm Wire Management Tube to 128mm long for 1) Single side, Desk Height with 24" Wide Storage Tower and 2) Counter Height Storage Tower.

ATTACH WIRE MANAGEMENT TUBE (DUAL SIDED, DESK HEIGHT WITH 36" WIDE STORAGE TOWER)



STEP 5a: Please attach Wire Management Tube as shown for Dual Sided Desk with 36" wide Storage Tower.

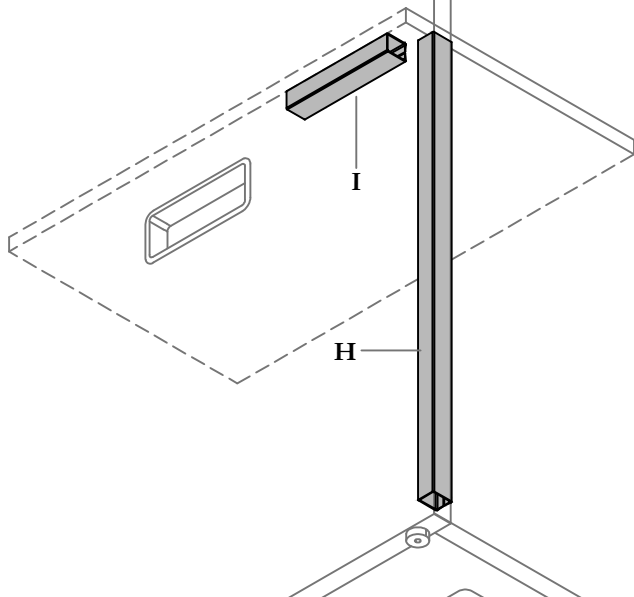
ATTACH WIRE MANAGEMENT TUBE (COUNTER HEIGHT STORAGE TOWER)



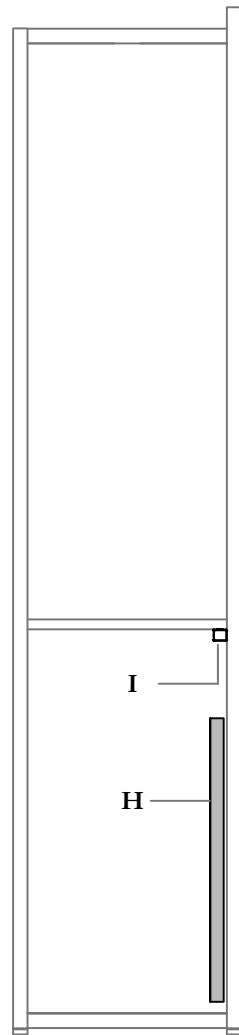
STEP 5b: Please attach Wire Management Tube as shown for Counter Height Storage Tower.

ATTACH WIRE MANAGEMENT TUBE (SINGLE SIDED, DESK HEIGHT WITH 24" WIDE STORAGE)

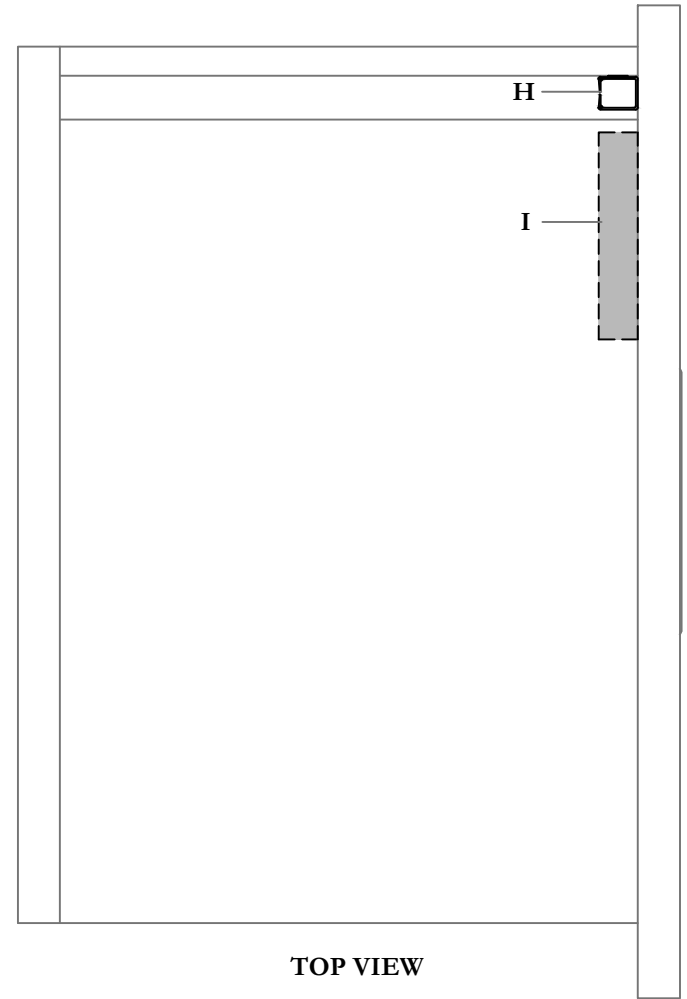
BOTTOM VIEW



SIDE VIEW

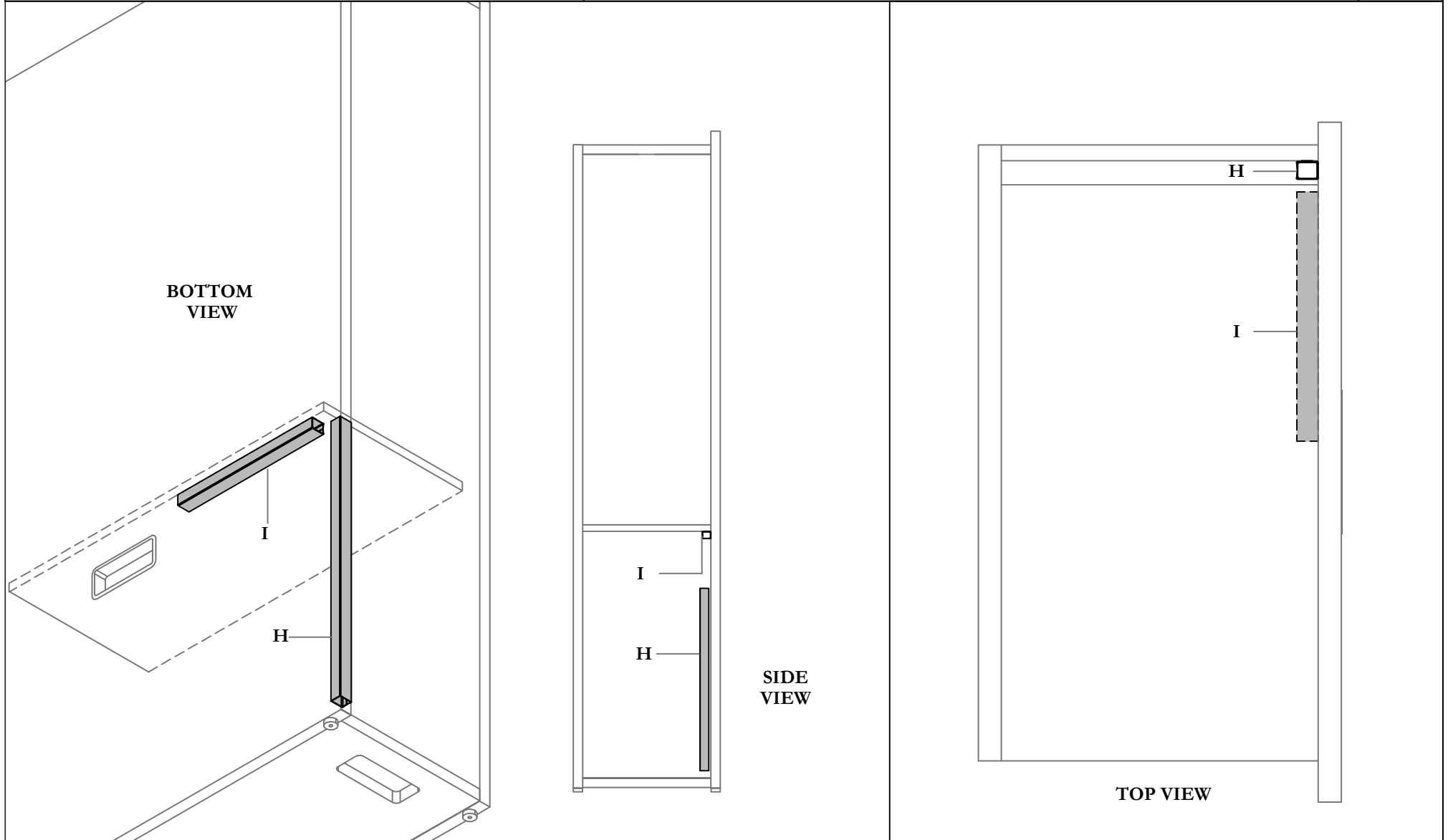


TOP VIEW



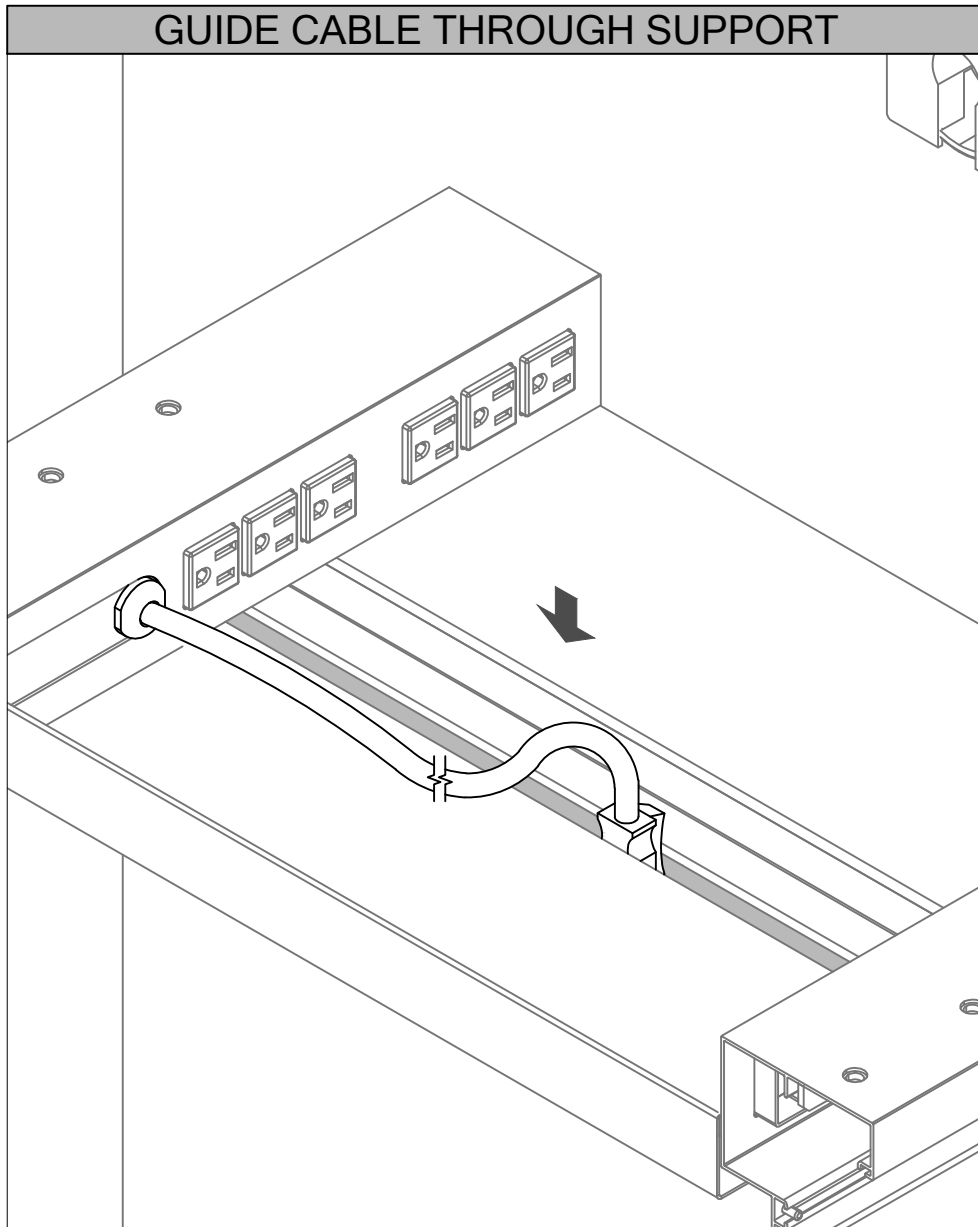
STEP 5c: Please attach Wire Management Tube as shown for Single Side, Desk Height with 24" Wide Storage Tower.

ATTACH WIRE MANAGEMENT TUBE (SINGLE SIDED, DESK HEIGHT WITH 30" WIDE STORAGE)



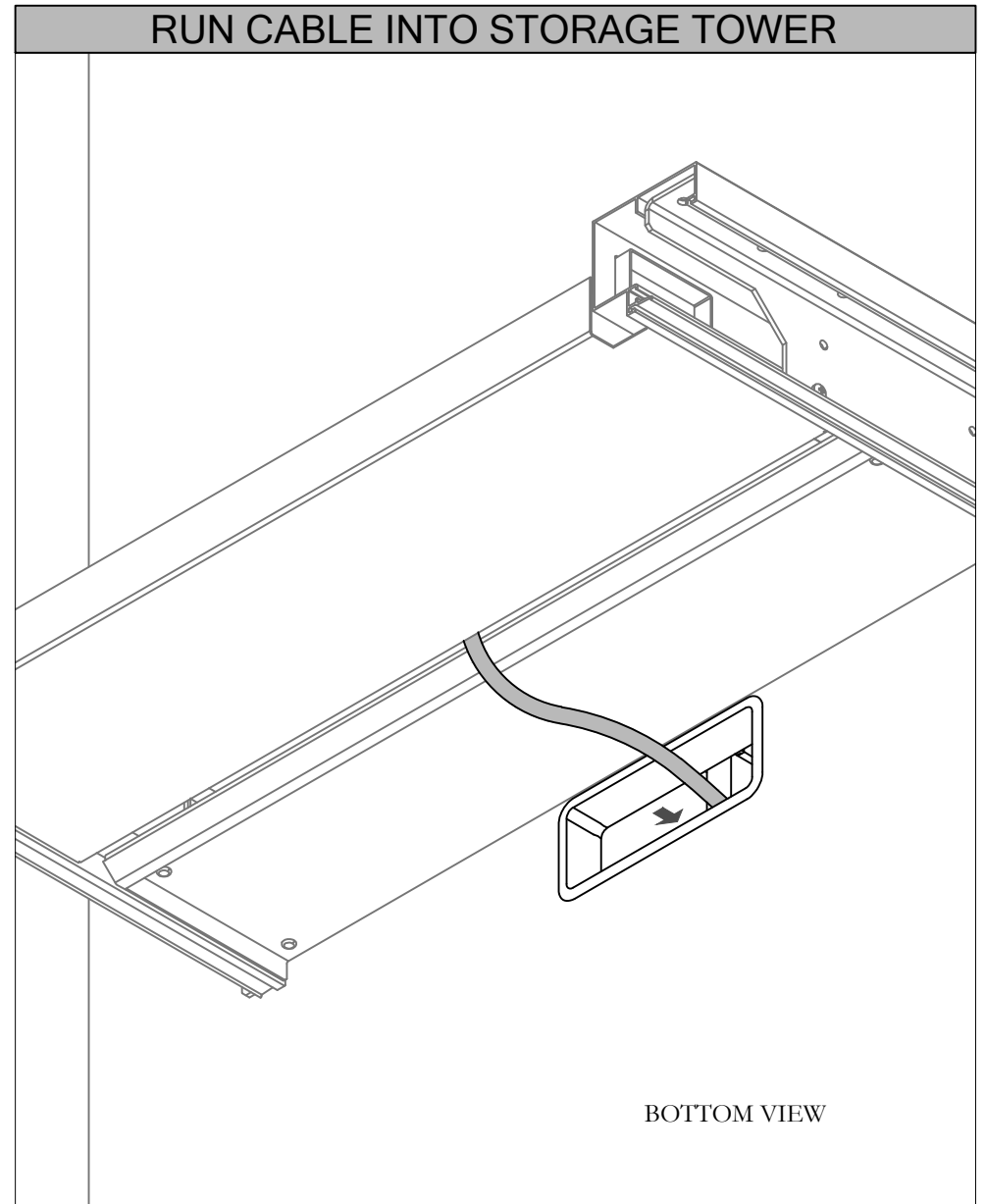
STEP 5d: Please attach Wire Management Tube as shown for Single Side, Desk Height with 30" Wide Storage Tower.

GUIDE CABLE THROUGH SUPPORT

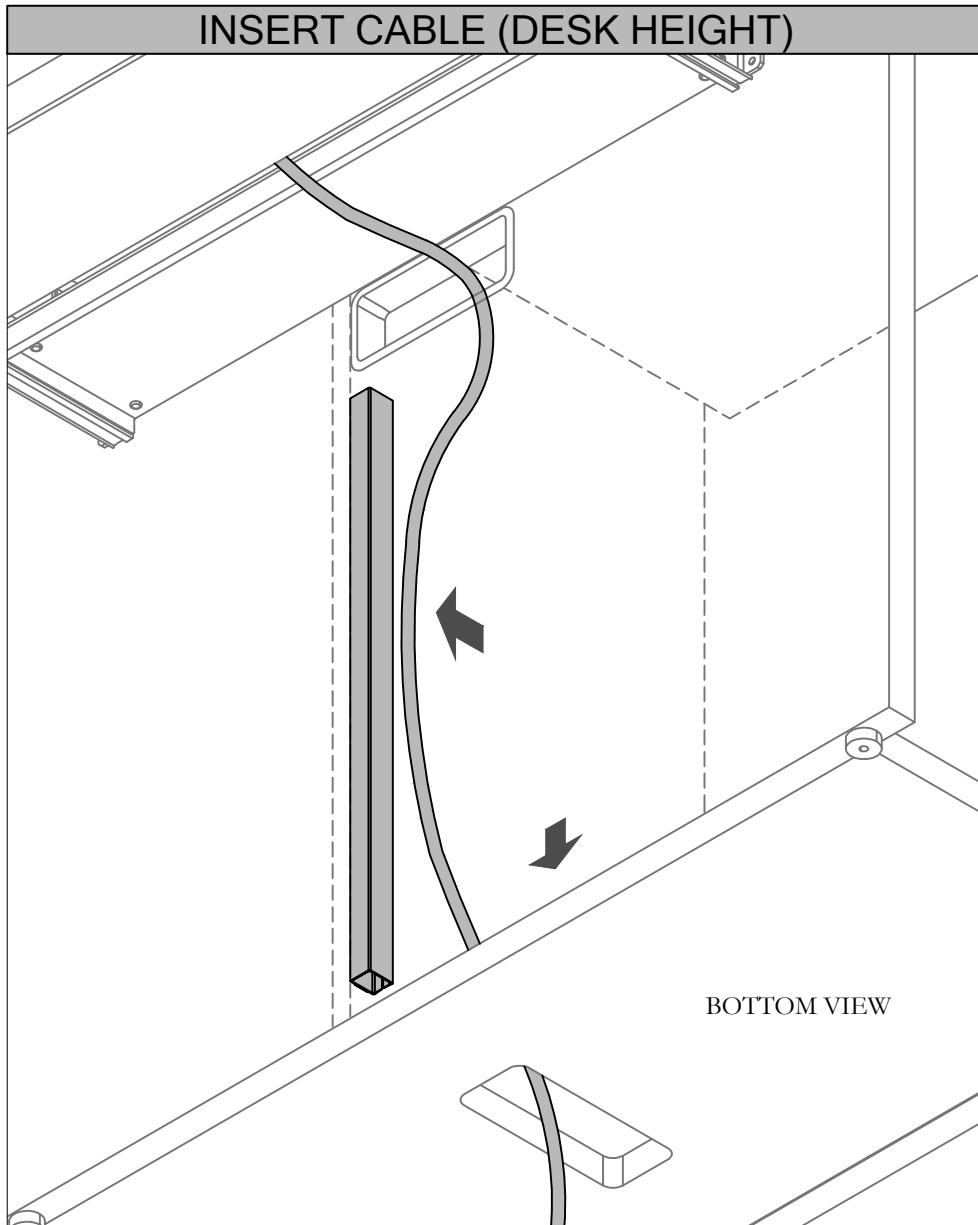


STEP 6: Guide Cable through Worksurface Support.

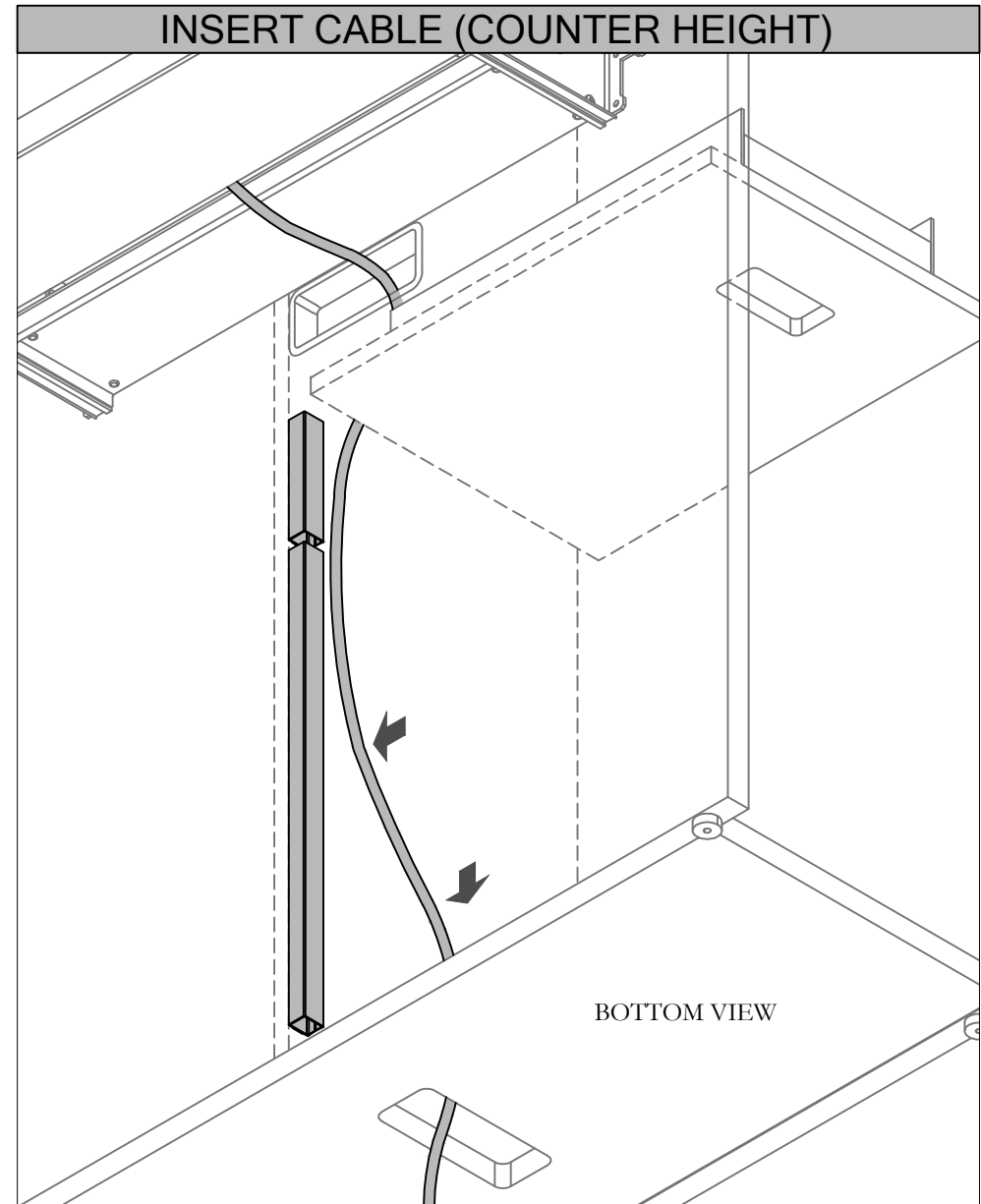
RUN CABLE INTO STORAGE TOWER



STEP 7: Run Cable into Storage Tower.

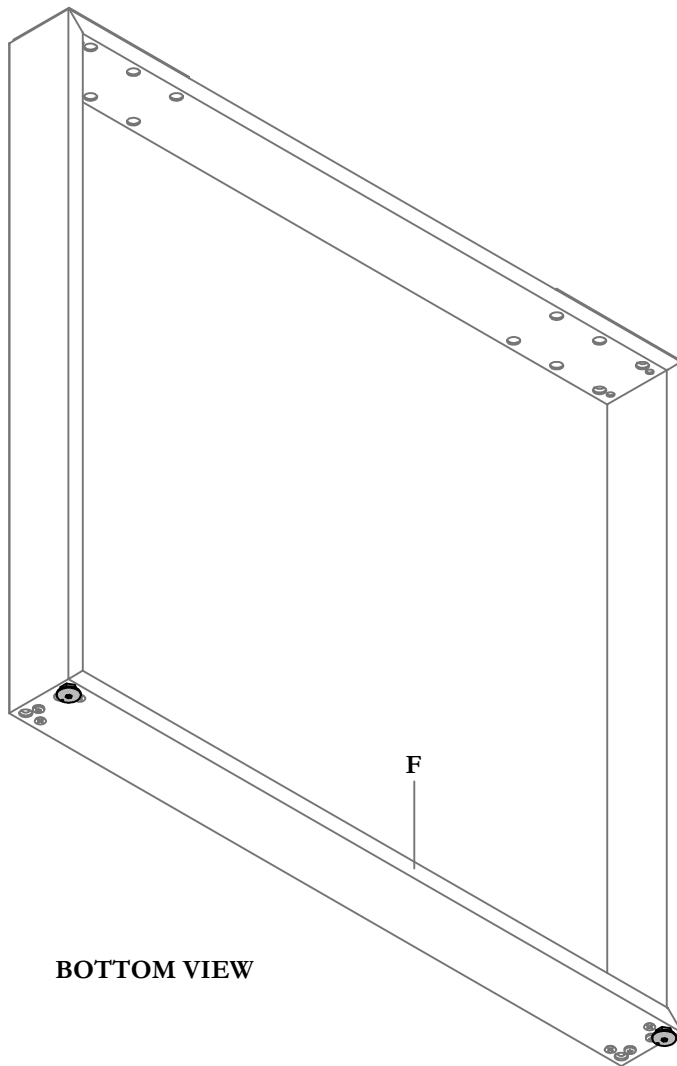


STEP 8a: Insert Cable into Wire Management Tube.

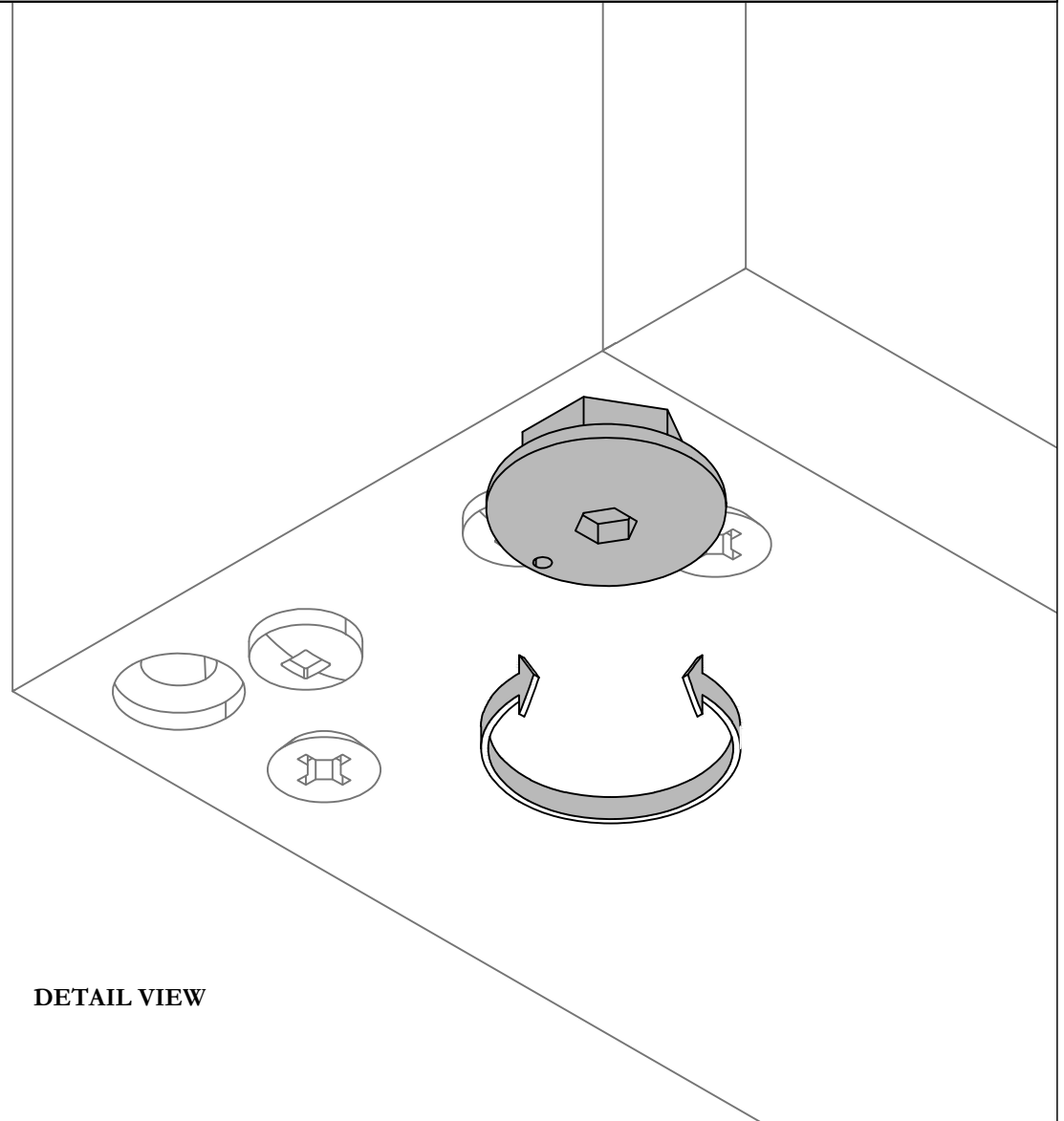


STEP 8b: Insert Cable into Wire Management Tube.

ADJUST FRAME LEG HEIGHT



BOTTOM VIEW

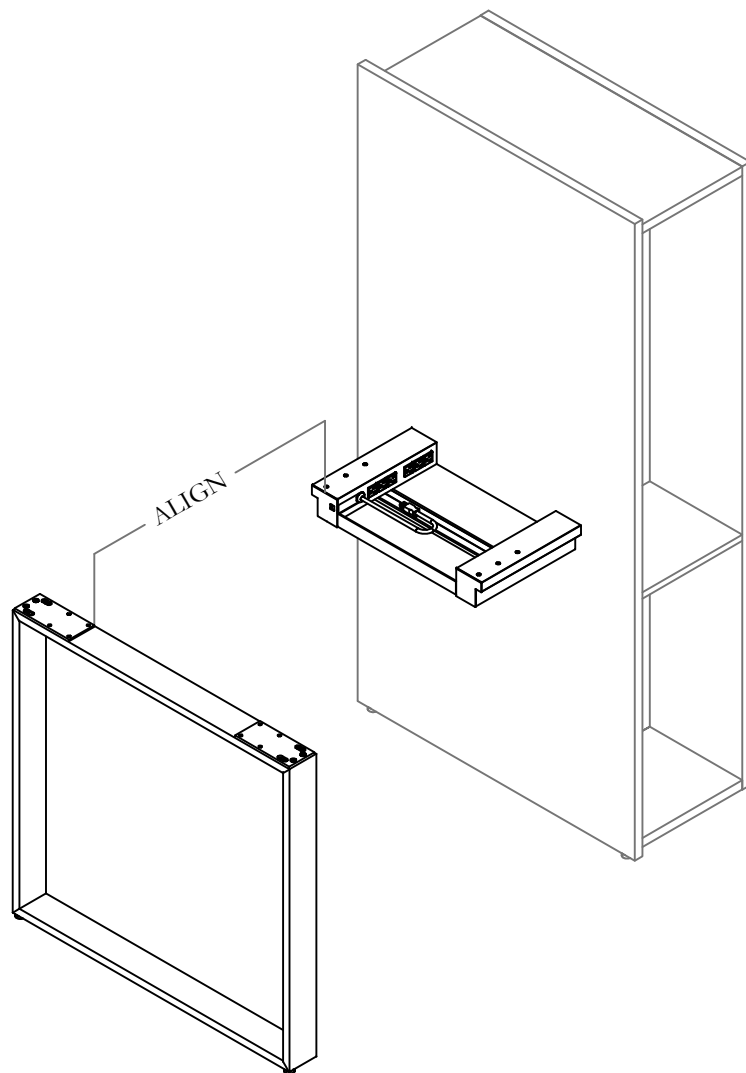


DETAIL VIEW

STEP 9: Rotate leveler to adjust the height for the Frame Leg.

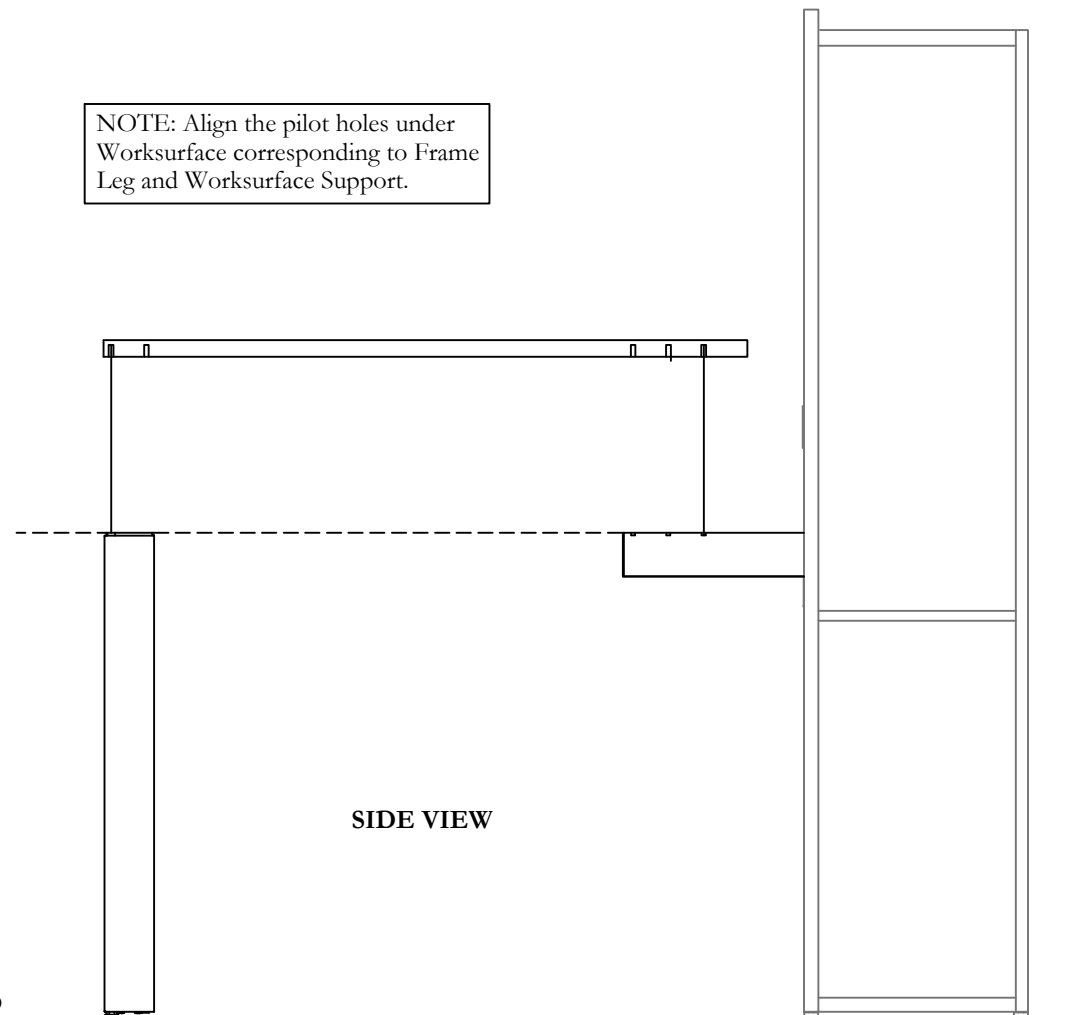
NOTE: Please refer to next page or Specification Drawing for the correct height of the Frame Leg.

NOTE



NOTE: Align the pilot holes under Worksurface corresponding to Frame Leg and Worksurface Support.

ALIGN

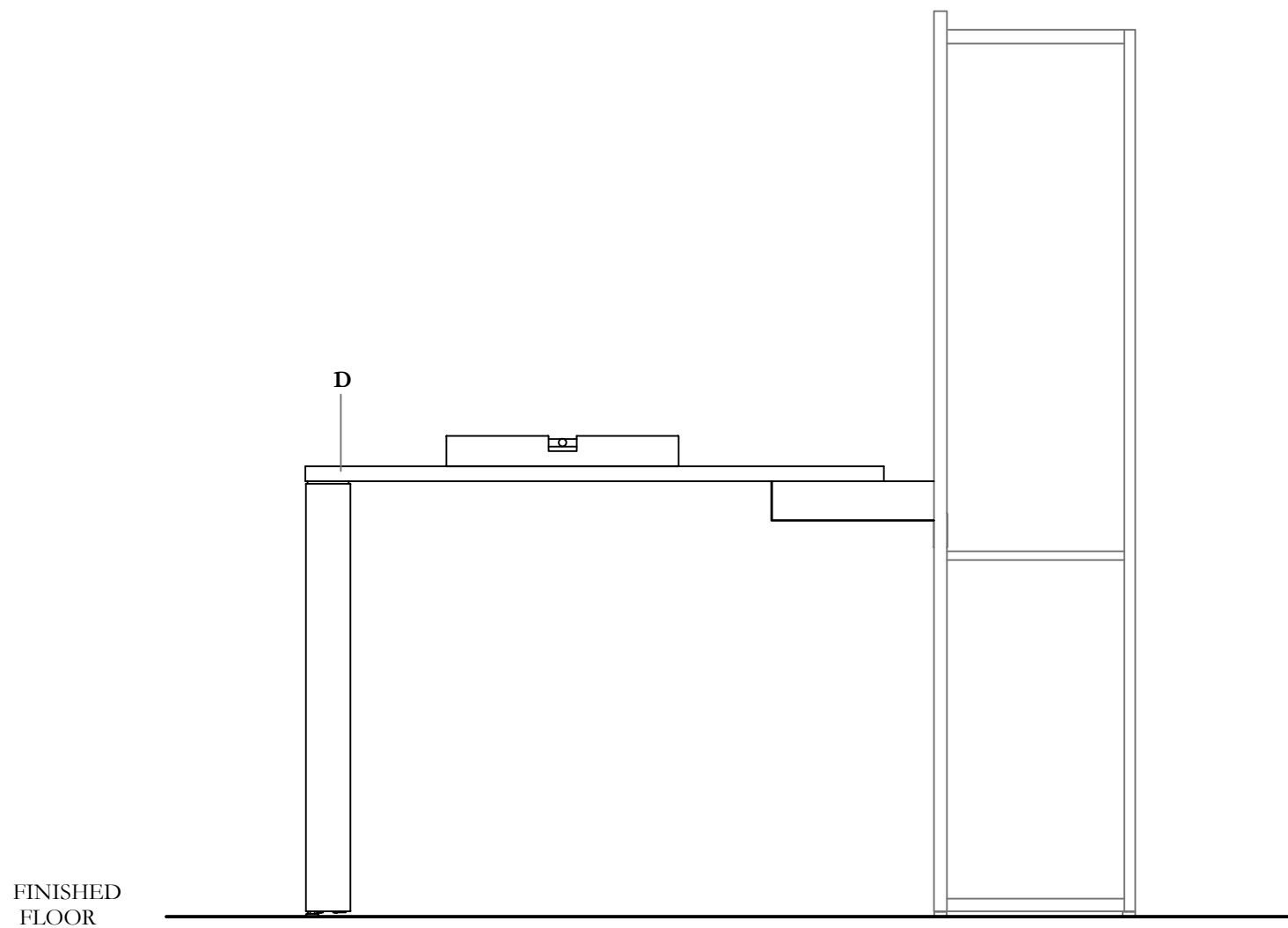


SIDE VIEW

FINISHED
FLOOR

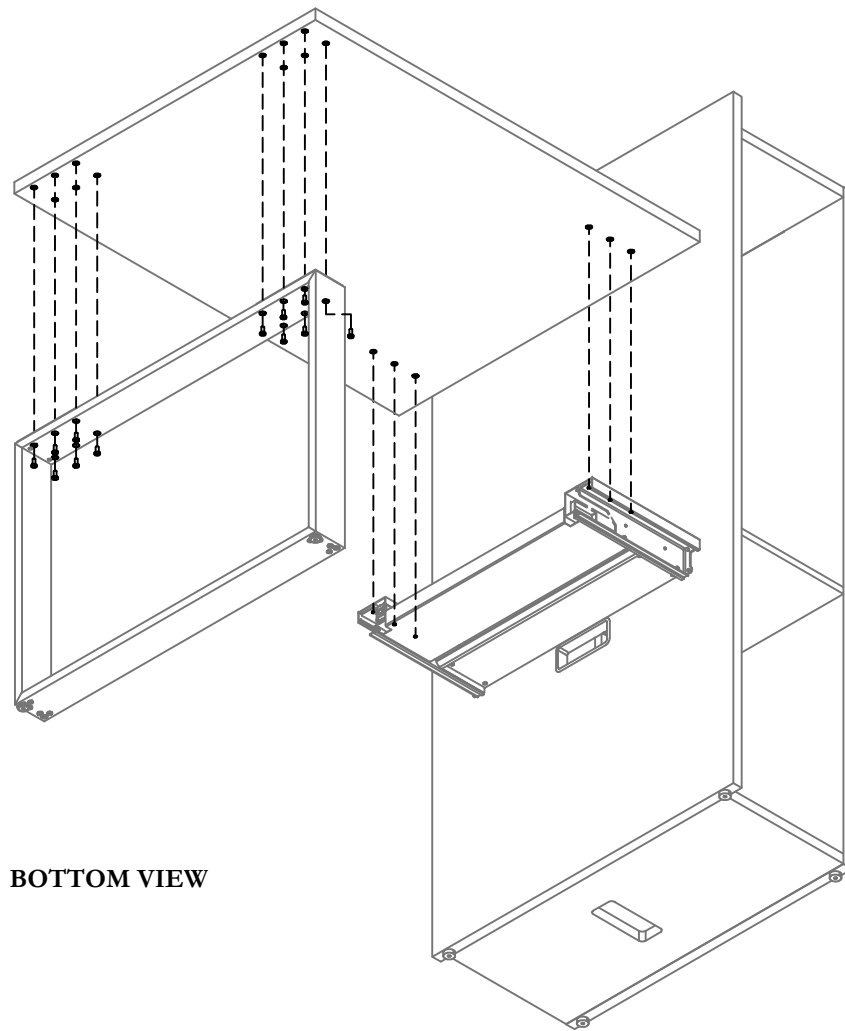
NOTE: Please measure the height of the Bridge Connection and adjust the Foot Frame to the same height. Align the pilot holes under Worksurface corresponding to Frame Leg and Worksurface Support.

LEVELING WITH WORKSURFACE

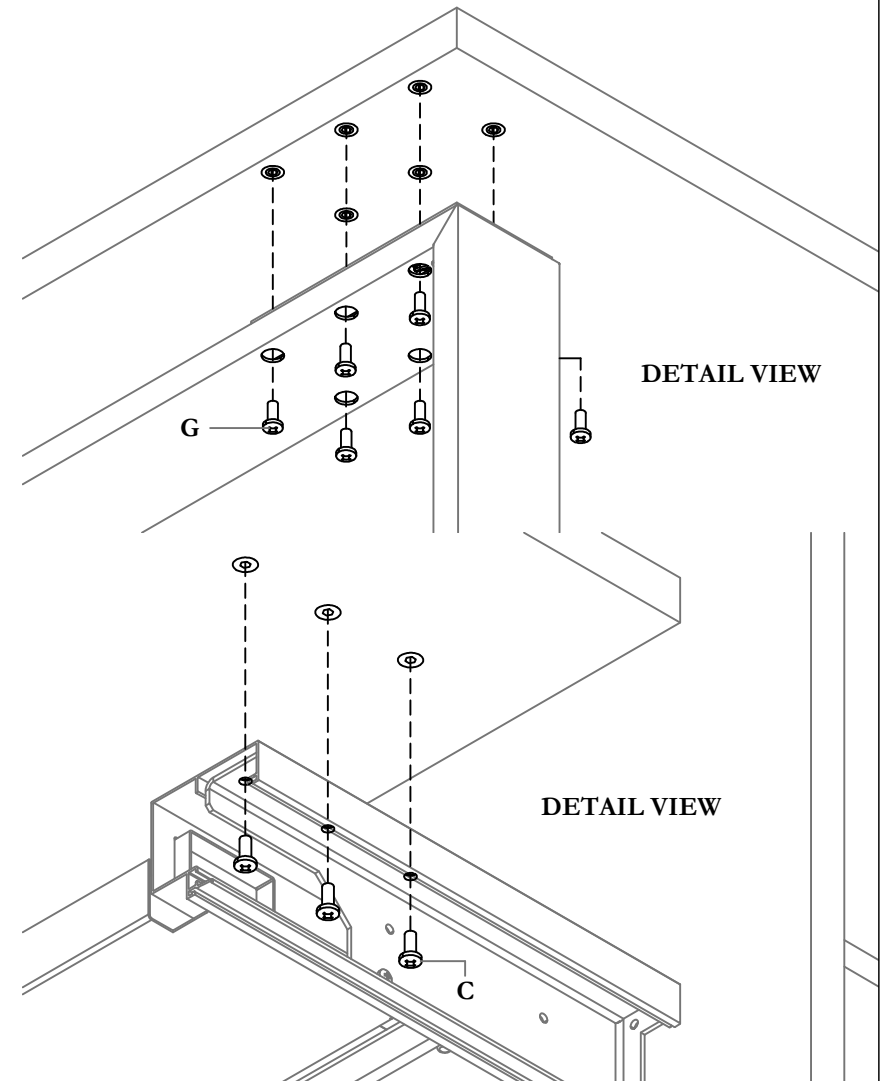


STEP 10: Lay Worksurface on Leg and Worksurface Support, then level it.

SECURE WORKSURFACE



BOTTOM VIEW

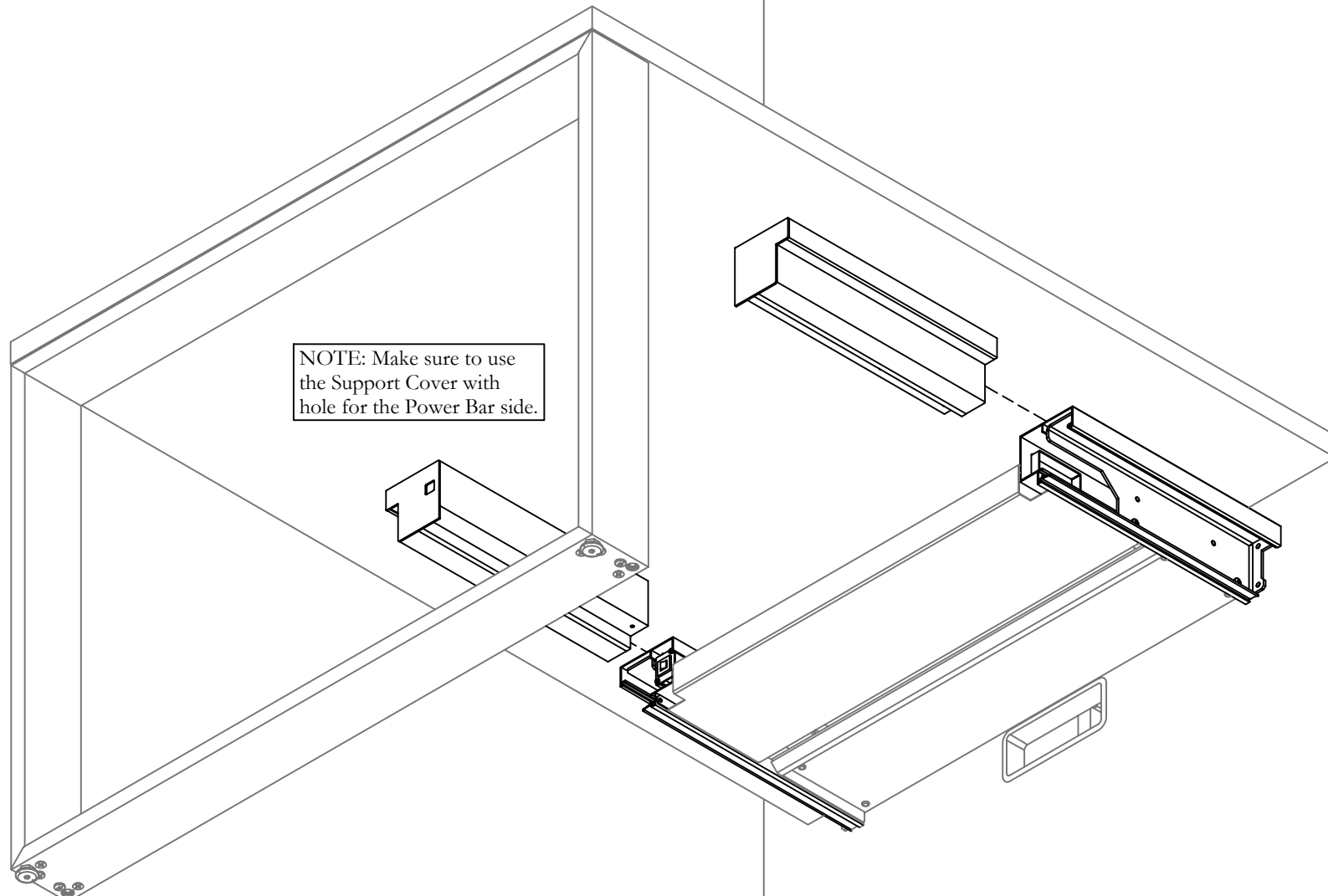


DETAIL VIEW

DETAIL VIEW

STEP 11: Secure Worksurface on Support and Frame Leg with Screws.

RE-INSERT WORKSURFACE SUPPORT COVER

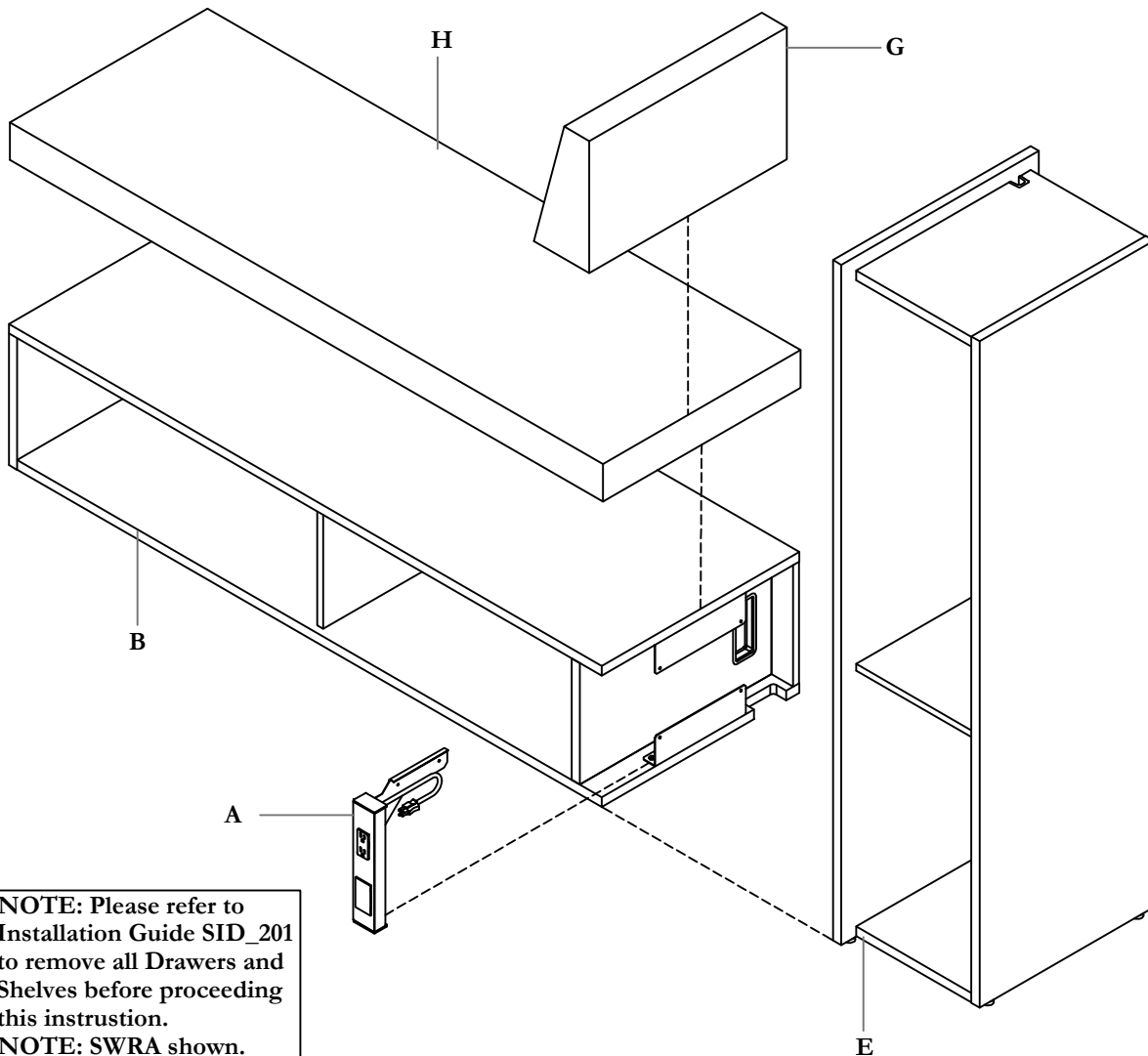


NOTE: Make sure to use the Support Cover with hole for the Power Bar side.

STEP 12: Re-insert Worksurface Support Cover.

NOTE: Make sure to use the Support Cover with hole for the Power Bar side.

Lounge Recliner with Coat/Shelf (SWRA),
Lounge Recliner with Coat/Drawers (SWRC) and
Fixed Cushion and Bolster (SWUC)



NOTE: Please refer to Installation Guide SID_201 to remove all Drawers and Shelves before proceeding this instruction.
NOTE: SWRA shown.

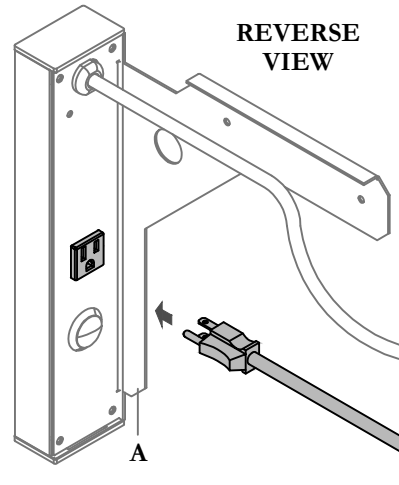
Part and Product Identification

SWRA or SWRC	<p>A - Recliner Electric Bar (I04-67001X) x1</p>	<p>C - Murakoshi Screw 40mm 1/4" Chrome (E02-50153) x4</p>
	<p>B - Chest "Recliner" (STRC247215X) x1</p>	<p>D - Knob Screw 1/4-20x1-1/2" Long (I04-67001L) x2</p>
SWUC	<p>E - Freestanding Storage Tower (STSWRSXX2472XXN) x1</p>	<p>F - #10 1-1/2" Wood Screw Phillips Drive 6 PLCS (Q20-0529) Fixed Bolster x10 Or Loose Bolster x6</p>
	<p>G - Bolster (Q20-0486) x1</p>	
	<p>H - Seat (Q20-0487) x1</p>	

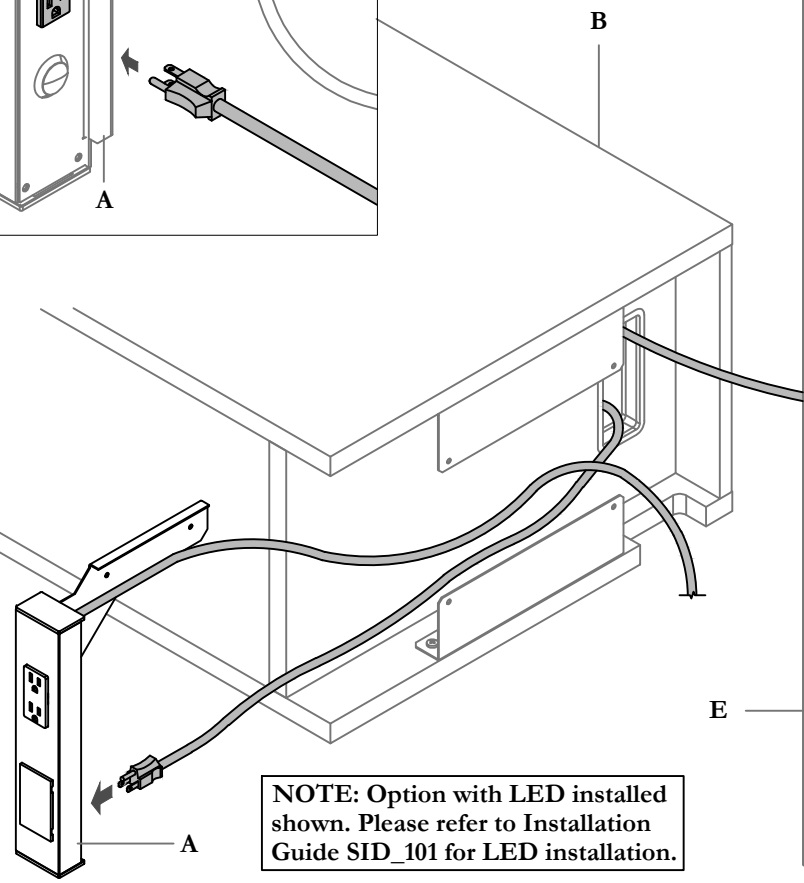
For Customer Support please contact
product.support@teknion.com

WIRE MANAGEMENT

NOTE: Option without LED installed shown.



LED Cable

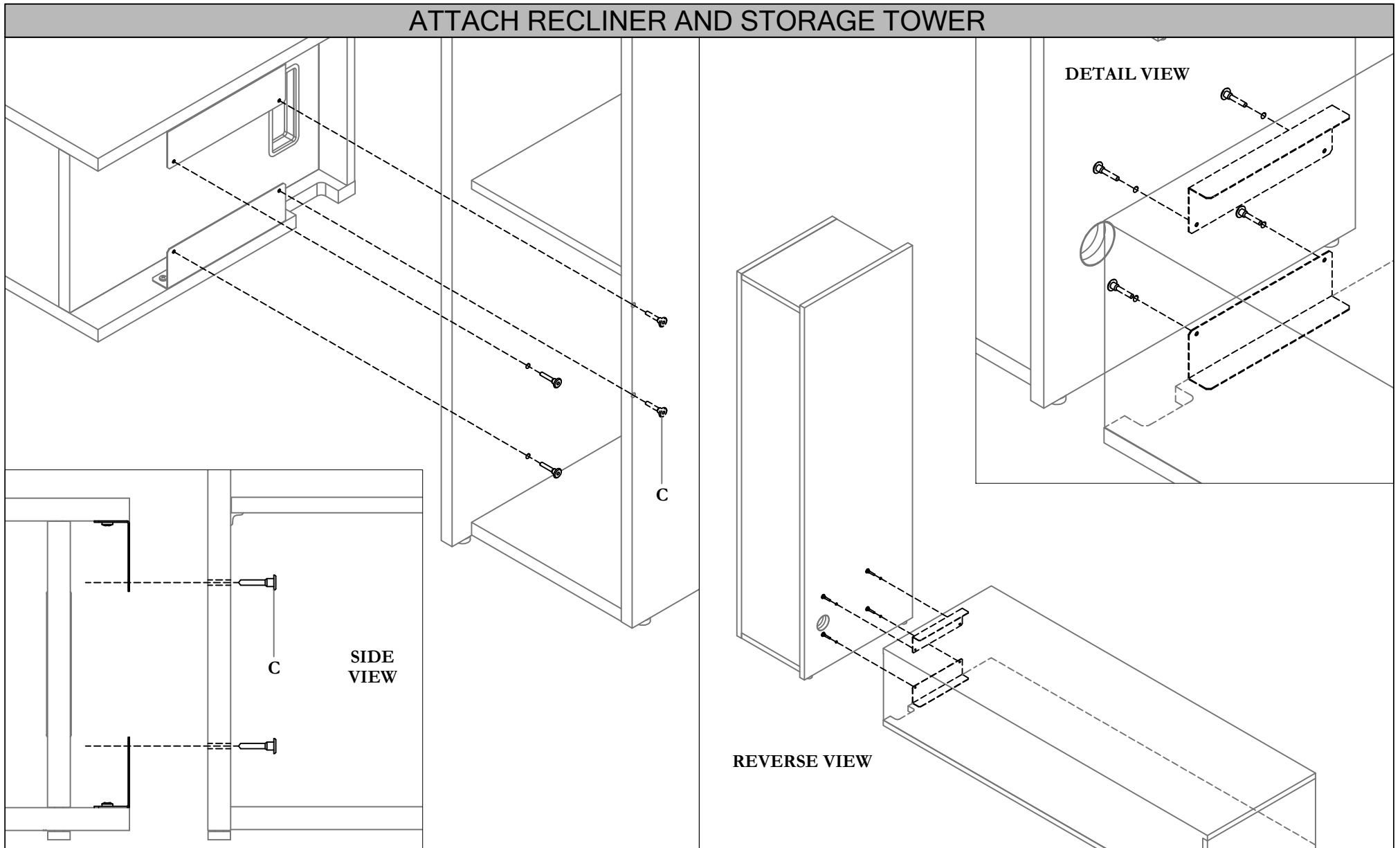


NOTE: Option with LED installed shown. Please refer to Installation Guide SID_101 for LED installation.

STEP 1: Place Recliner in designated location and run all Cables through the cut-out on Recliner.

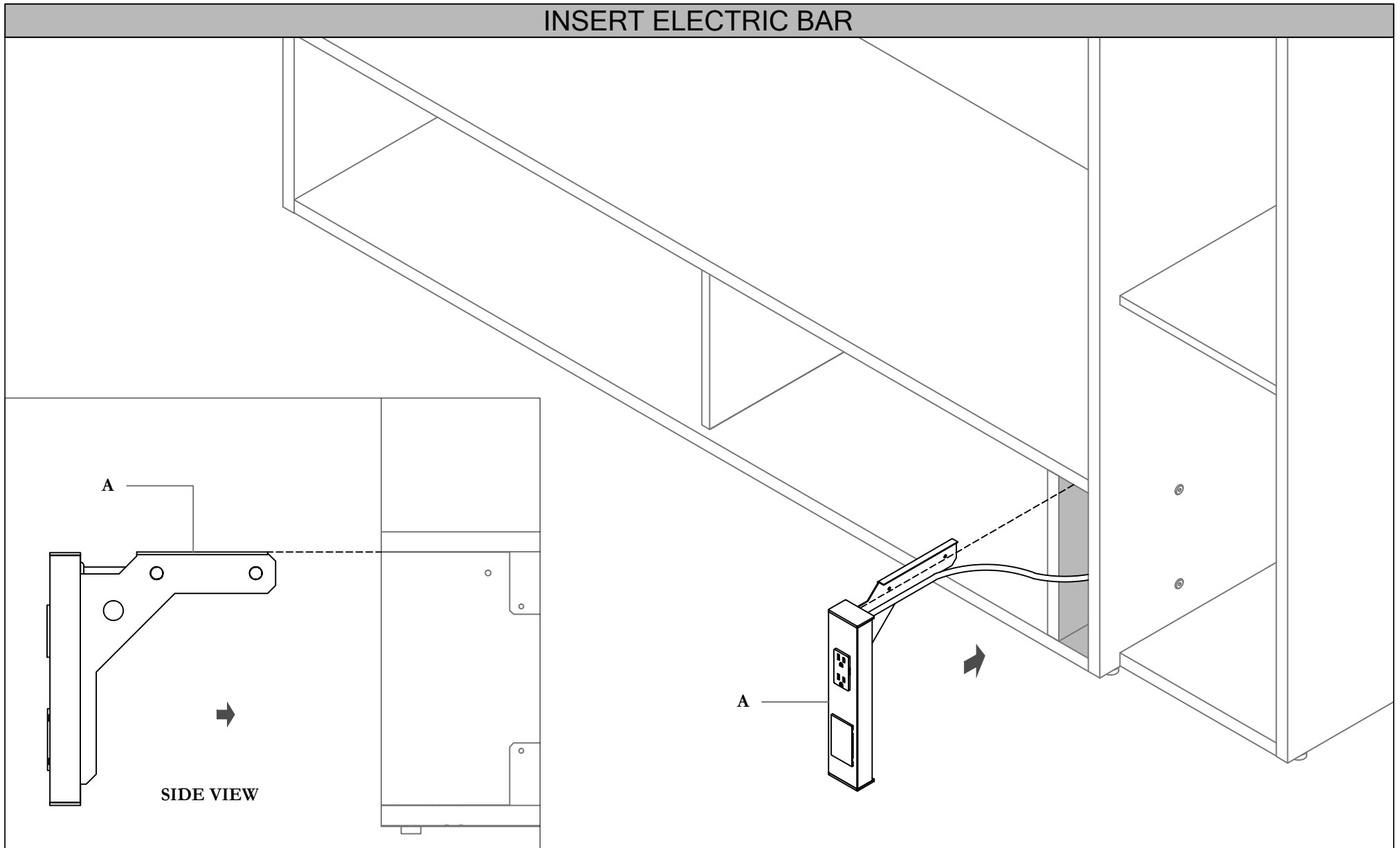
NOTE: Please refer to Installation Guide SID_101 for LED installation.

ATTACH RECLINER AND STORAGE TOWER



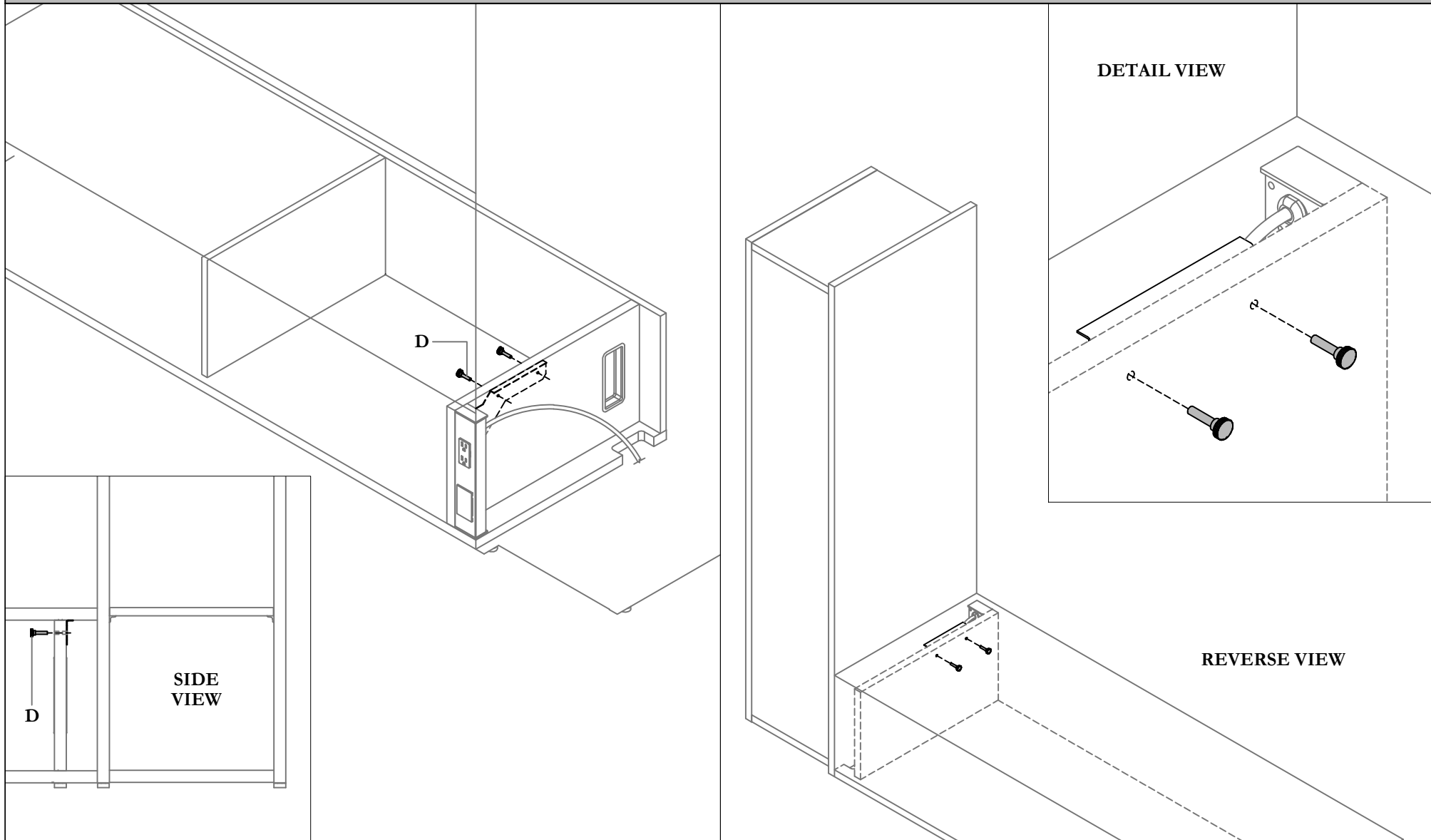
STEP 2: Attach Recliner with Storage Tower. Secure Storage and Brackets on Recliner with Screws.

INSERT ELECTRIC BAR



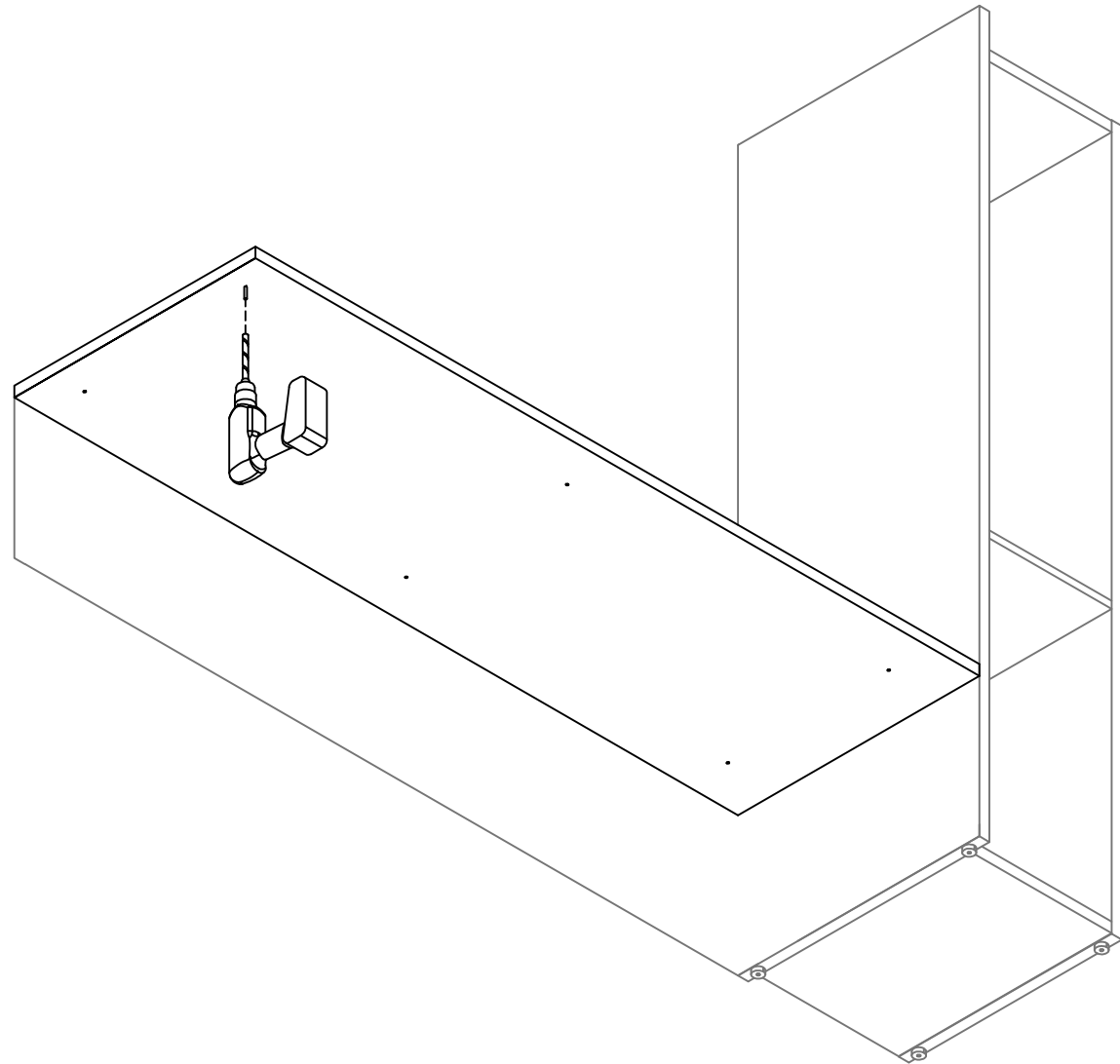
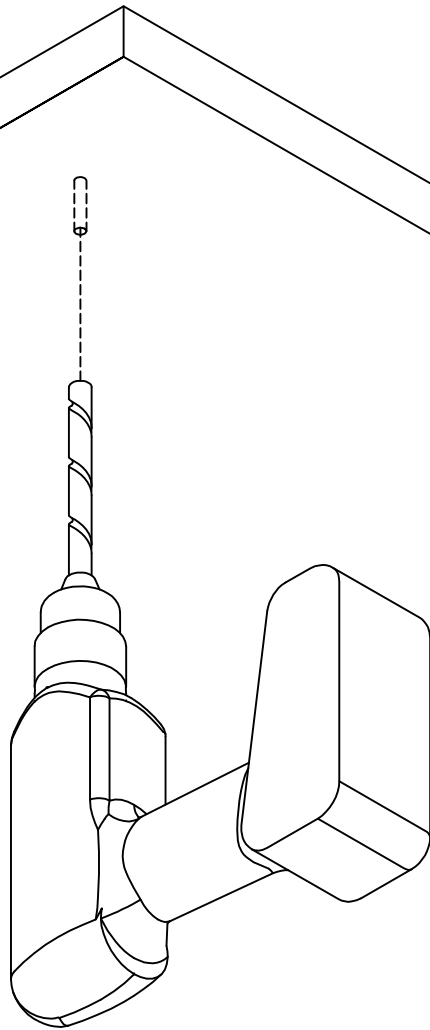
STEP 3: Insert Electric Bar into the highlighted location.

SECURE ELECTRIC BAR



STEP 4: Secure the Electric Bar to Recliner as shown.

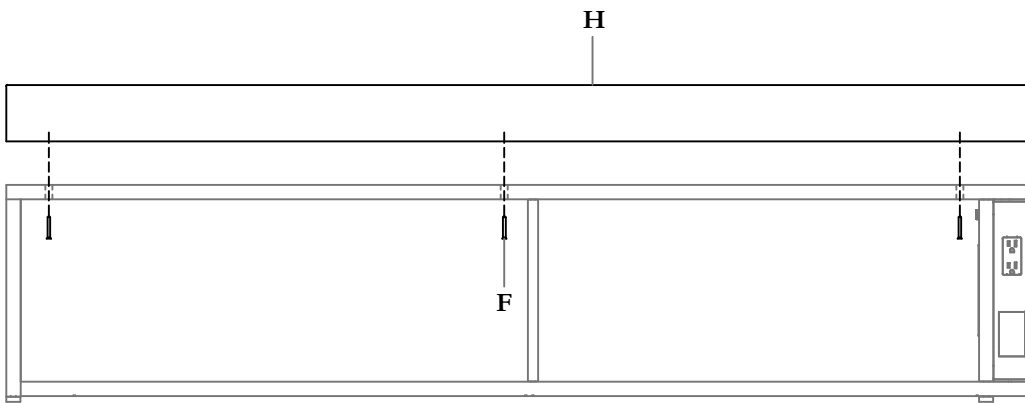
DRILL THROUGH PILOT HOLES



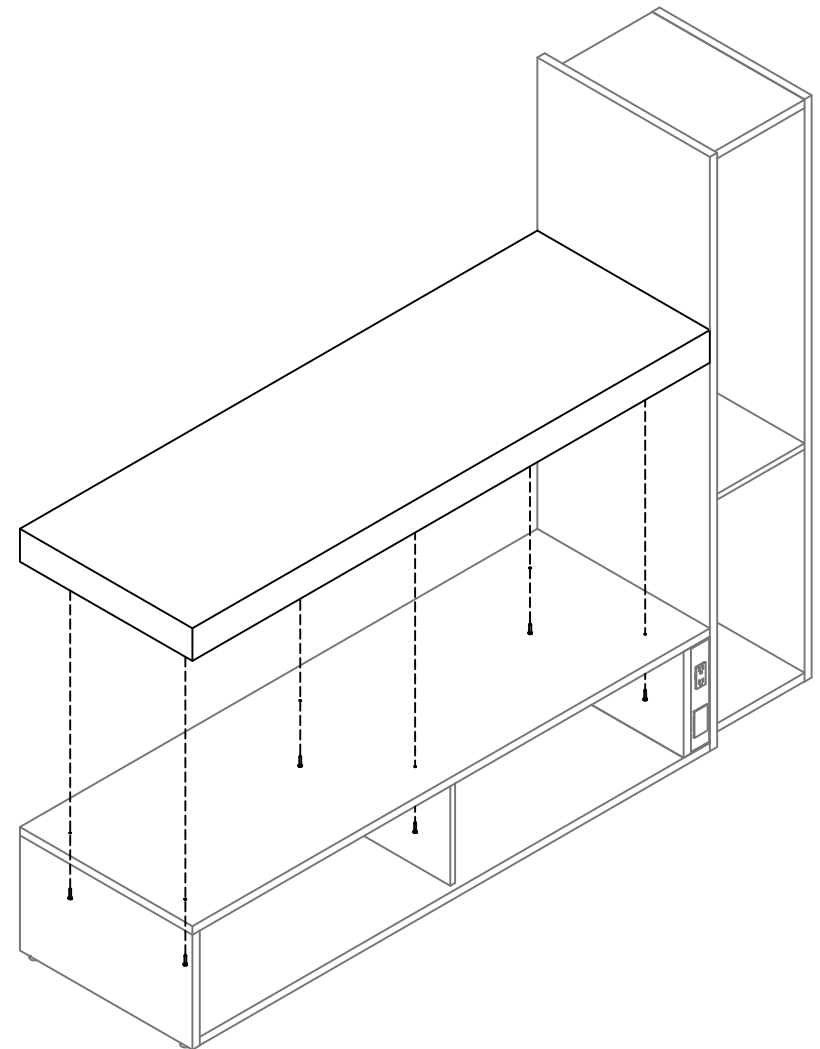
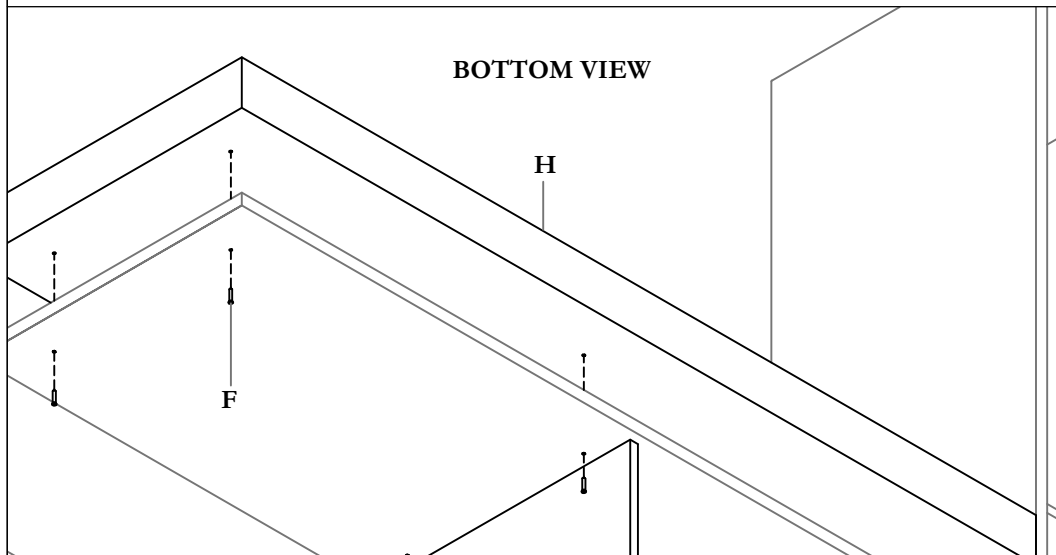
STEP 5: Drill through the pilot holes on Recliner from underneath.

SECURE SEAT

SIDE VIEW



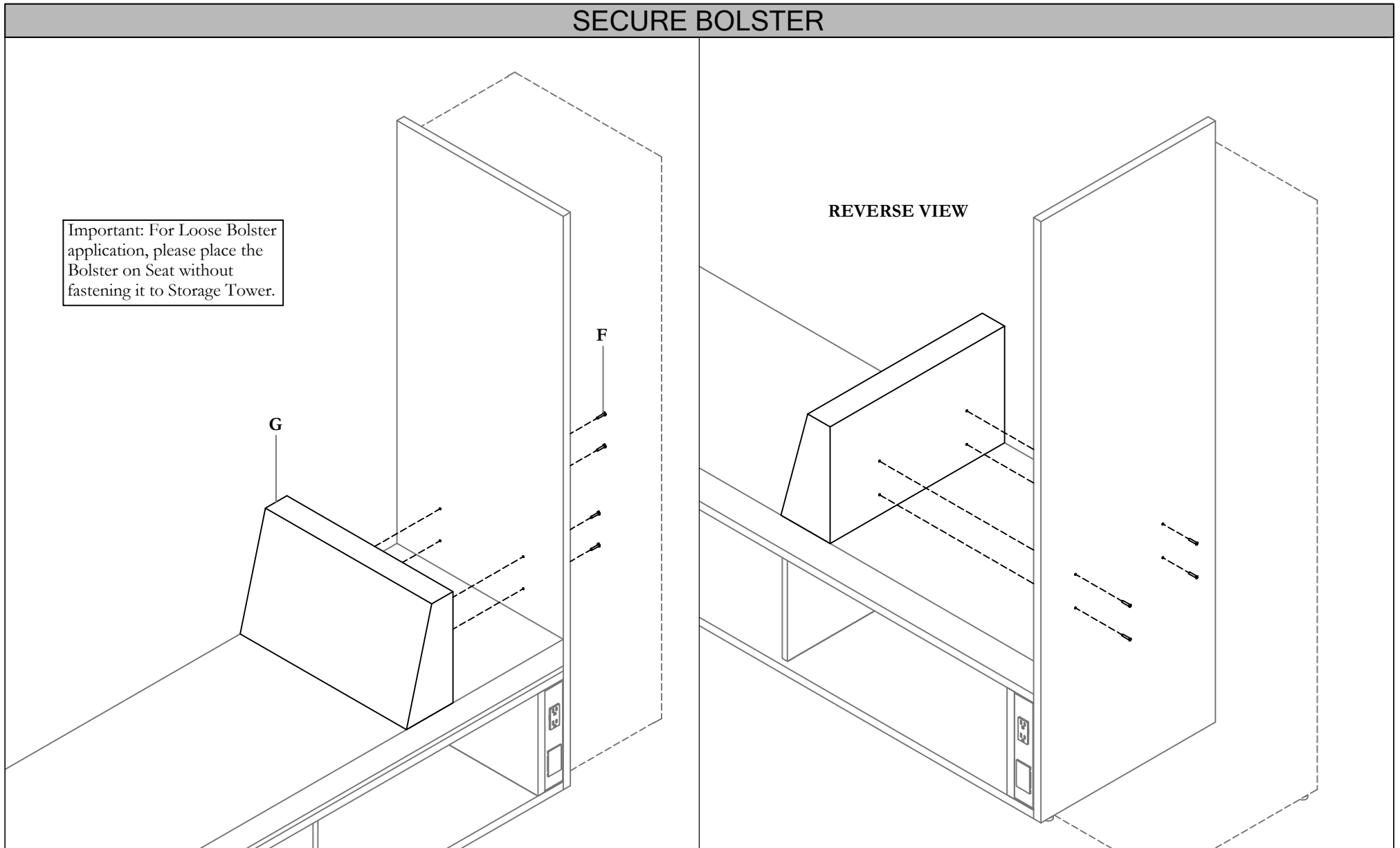
BOTTOM VIEW



STEP 6: Align pilot holes on Cushion and Recliner, then secure them with Screws as shown.

SECURE BOLSTER

Important: For Loose Bolster application, please place the Bolster on Seat without fastening it to Storage Tower.

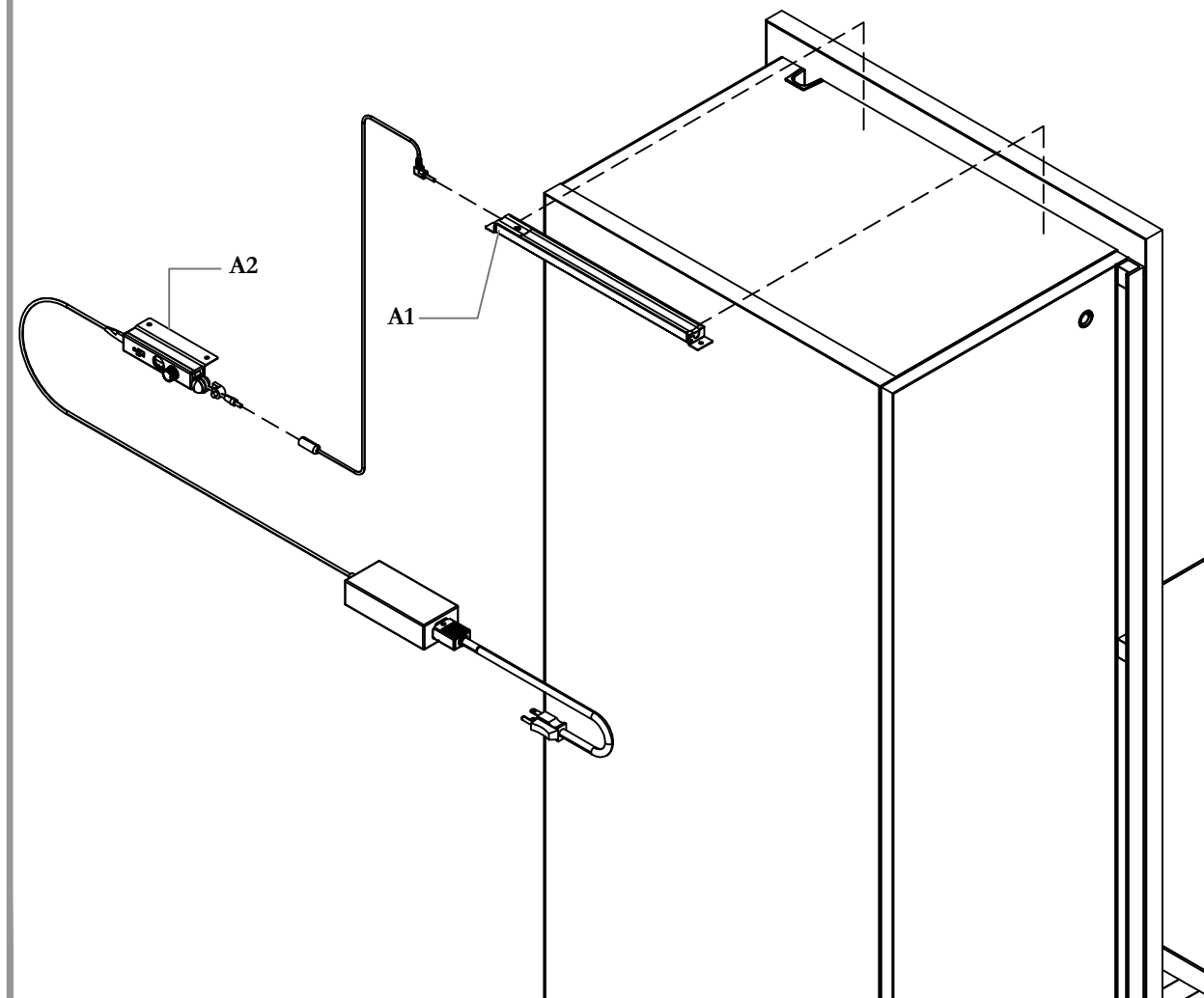


STEP 7: Align pilot holes on Bolster and Storage Tower, then secure them with Screws as shown.

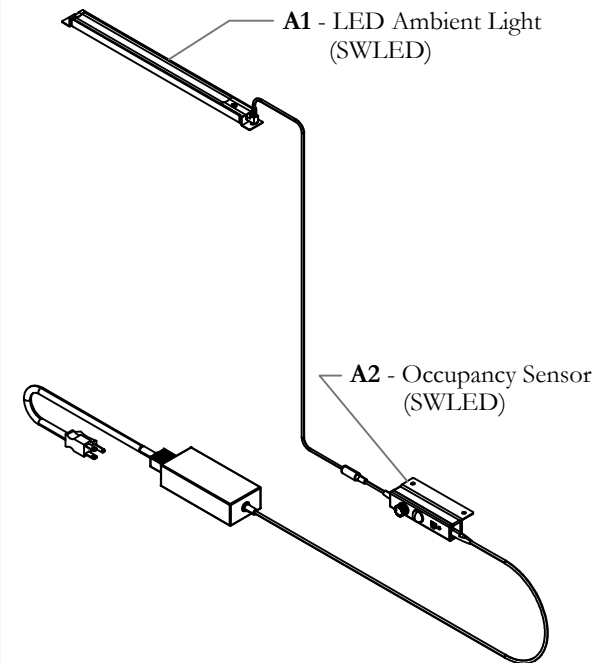
Important: For Loose Bolster application, please place the Bolster on Seat.

LED Ambient Light and Occupancy Sensor (SWLED)

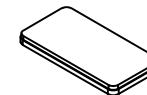
NOTE:
STSWDWXXYY72XXN
Shown as example



Part and Product Identification



B - #6 - 1/2" Wood Screw
(FS6-1/2) x 4

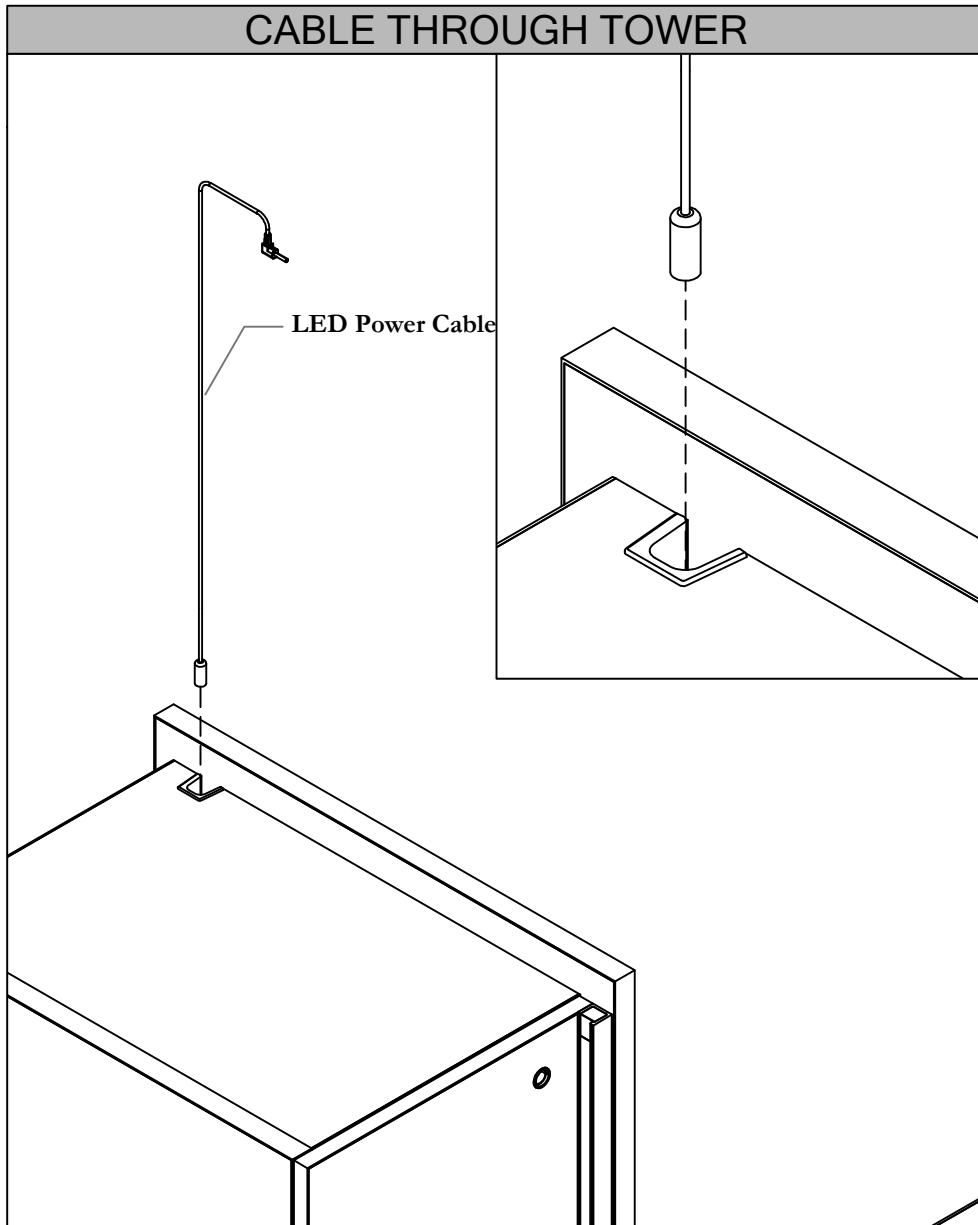


C - Magnet 3M Double Sided
Tape x 2

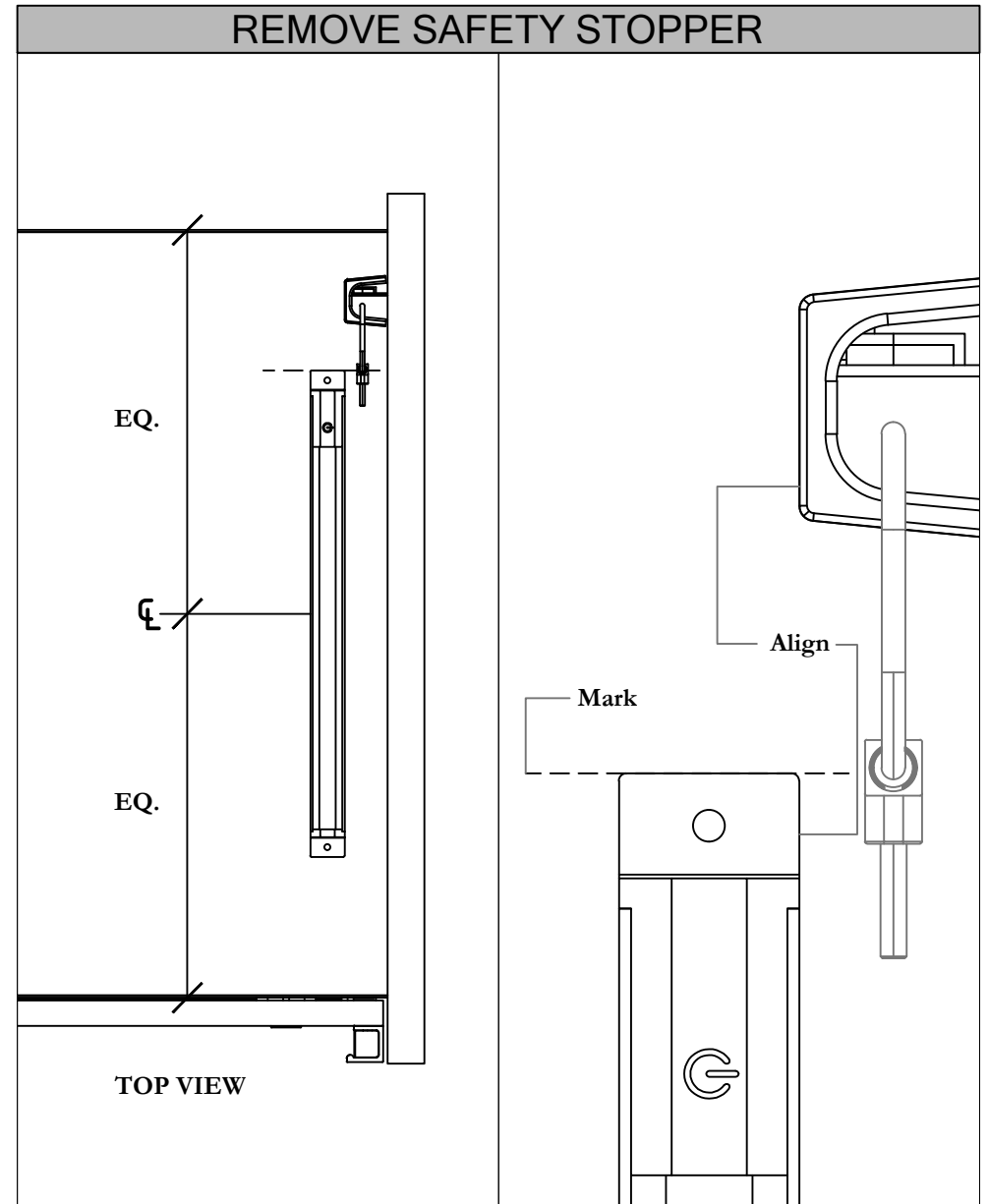


D - Wire Management Tube with
Adhesive Strip
(B11-67000+29) x 1

For Customer Support please contact
product.support@teknion.com

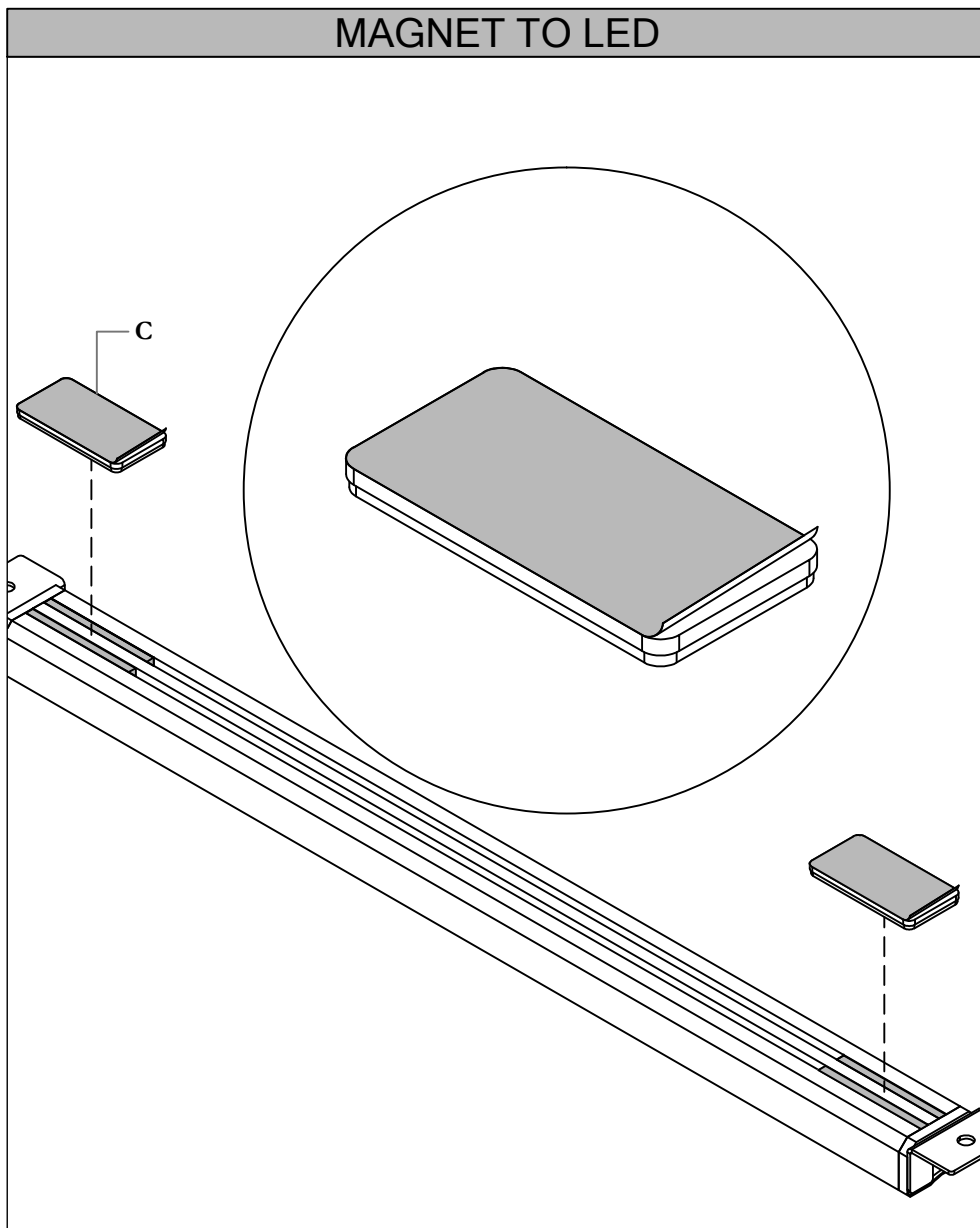


STEP 1: Feed power cable through top of Tower



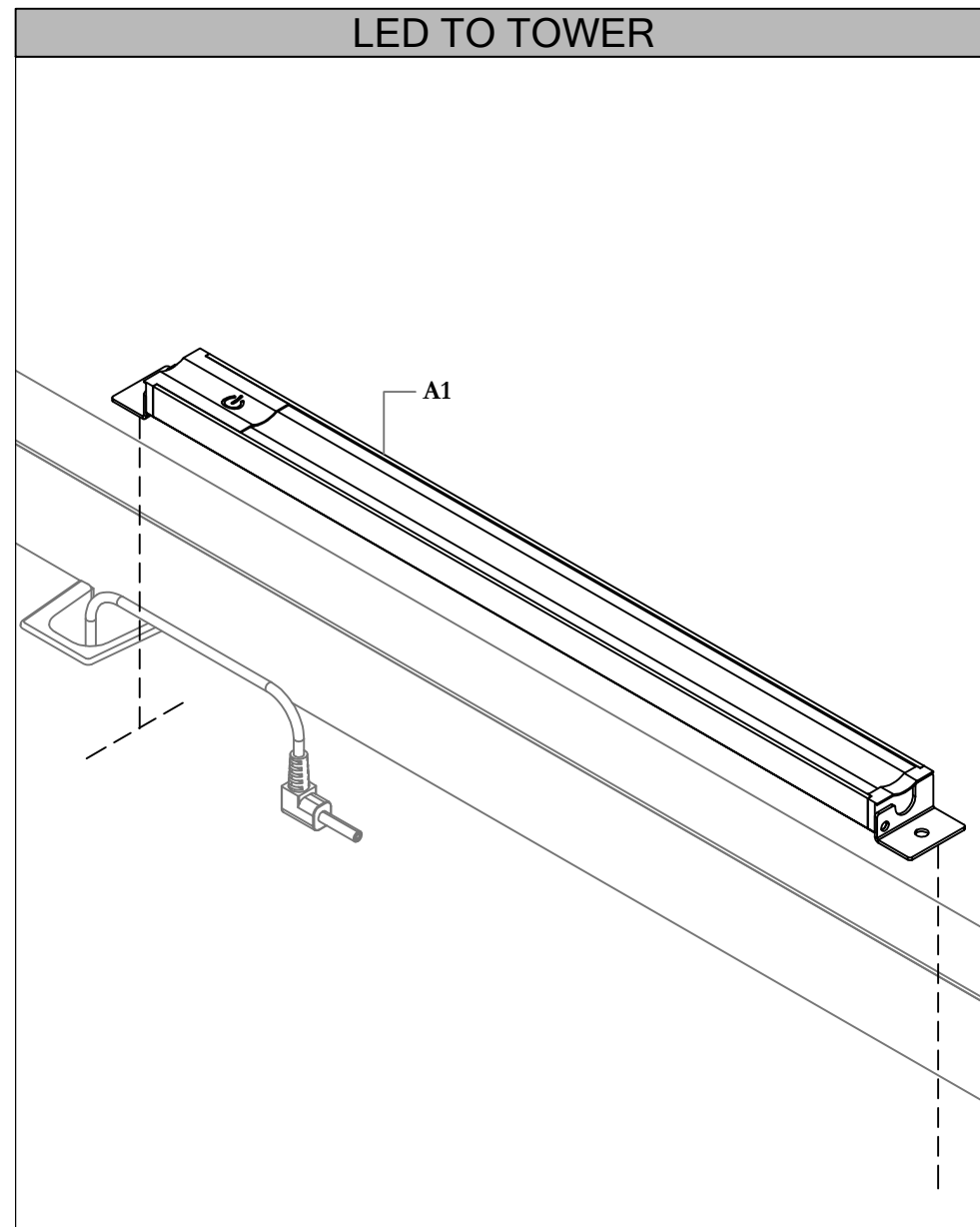
STEP 2: Place LED Light as shown on top of Tower. Mark (with pencil) for final location.

MAGNET TO LED



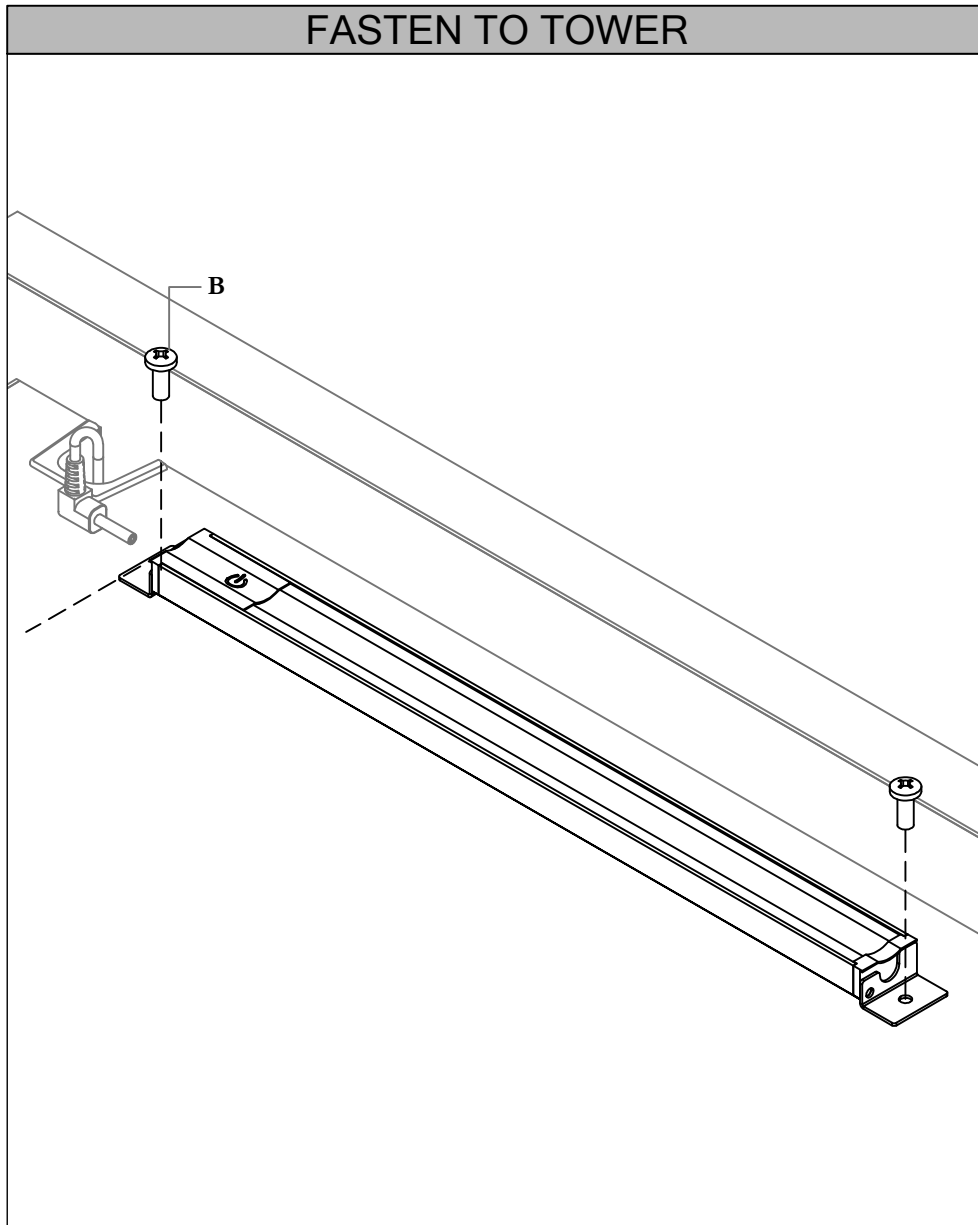
STEP 3: Turn over LED light and locate metal strips inserted at the bottom of LED light.
NOTE: Make sure adhesive side of magnet is facing upwards.

LED TO TOWER



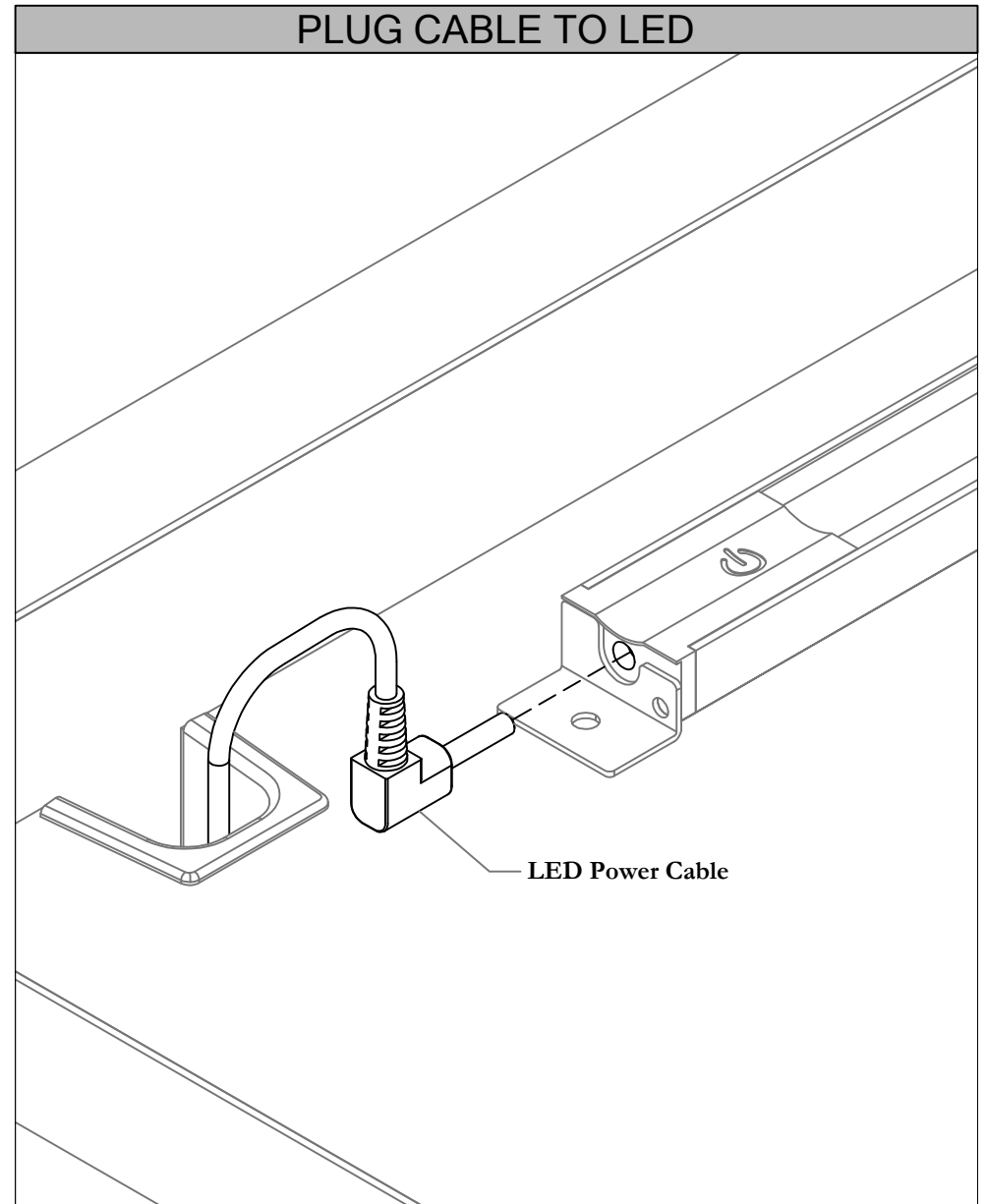
STEP 4a: Peel off adhesive strip and place light on top surface of Tower.

FASTEN TO TOWER



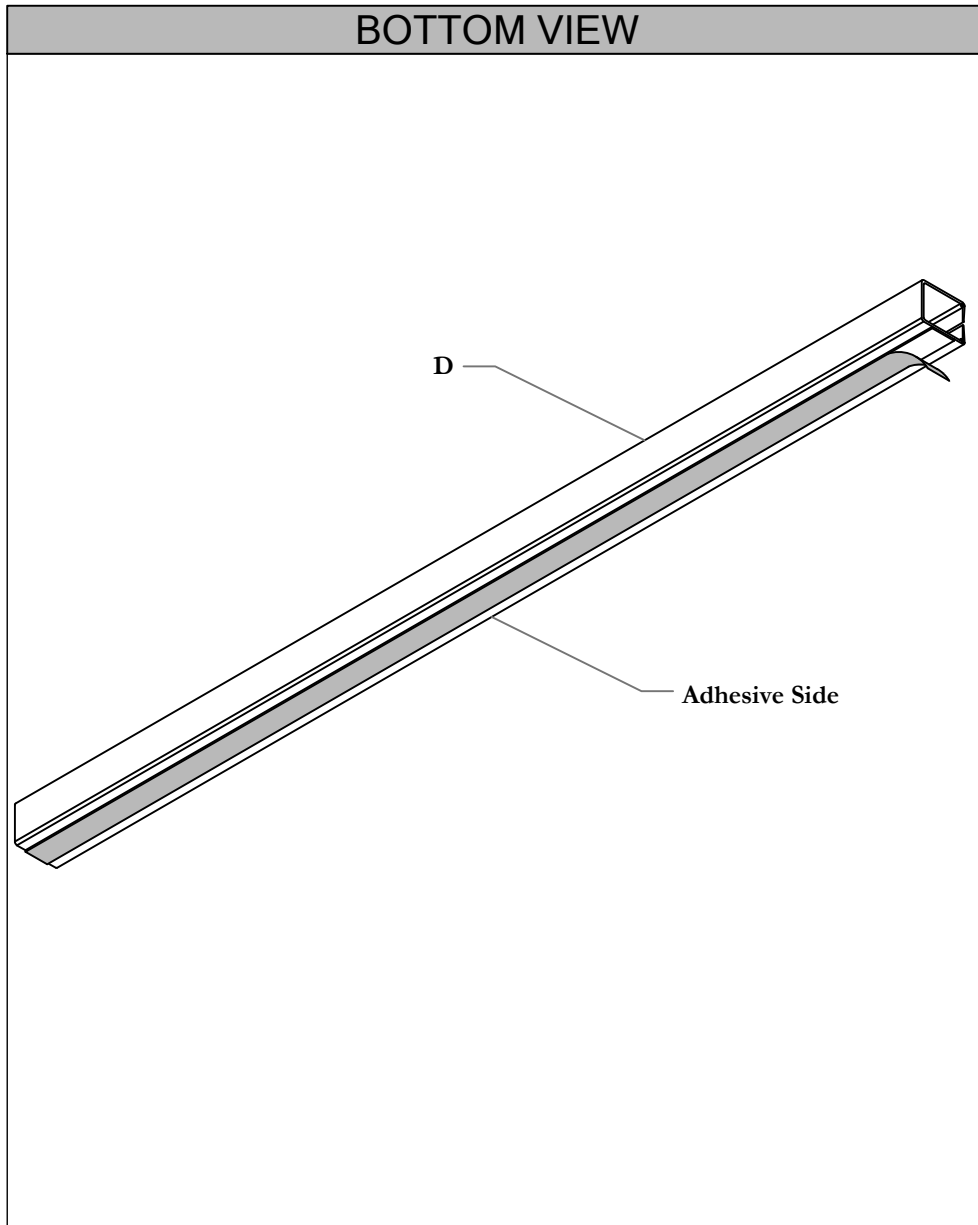
STEP 4b: Fasten Led to Tower with screws provided.

PLUG CABLE TO LED



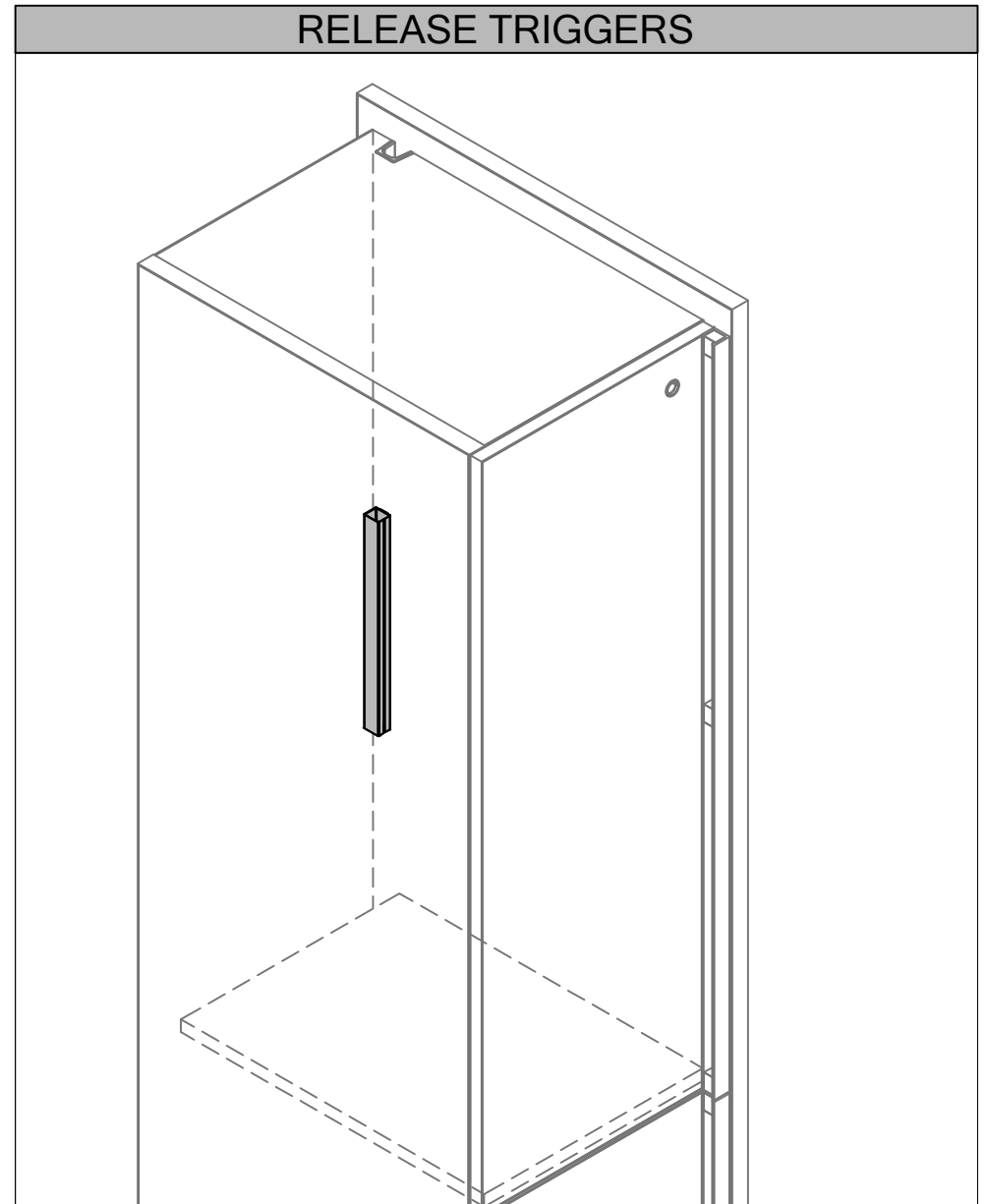
STEP 5: Plug Power Cable to LED.

BOTTOM VIEW



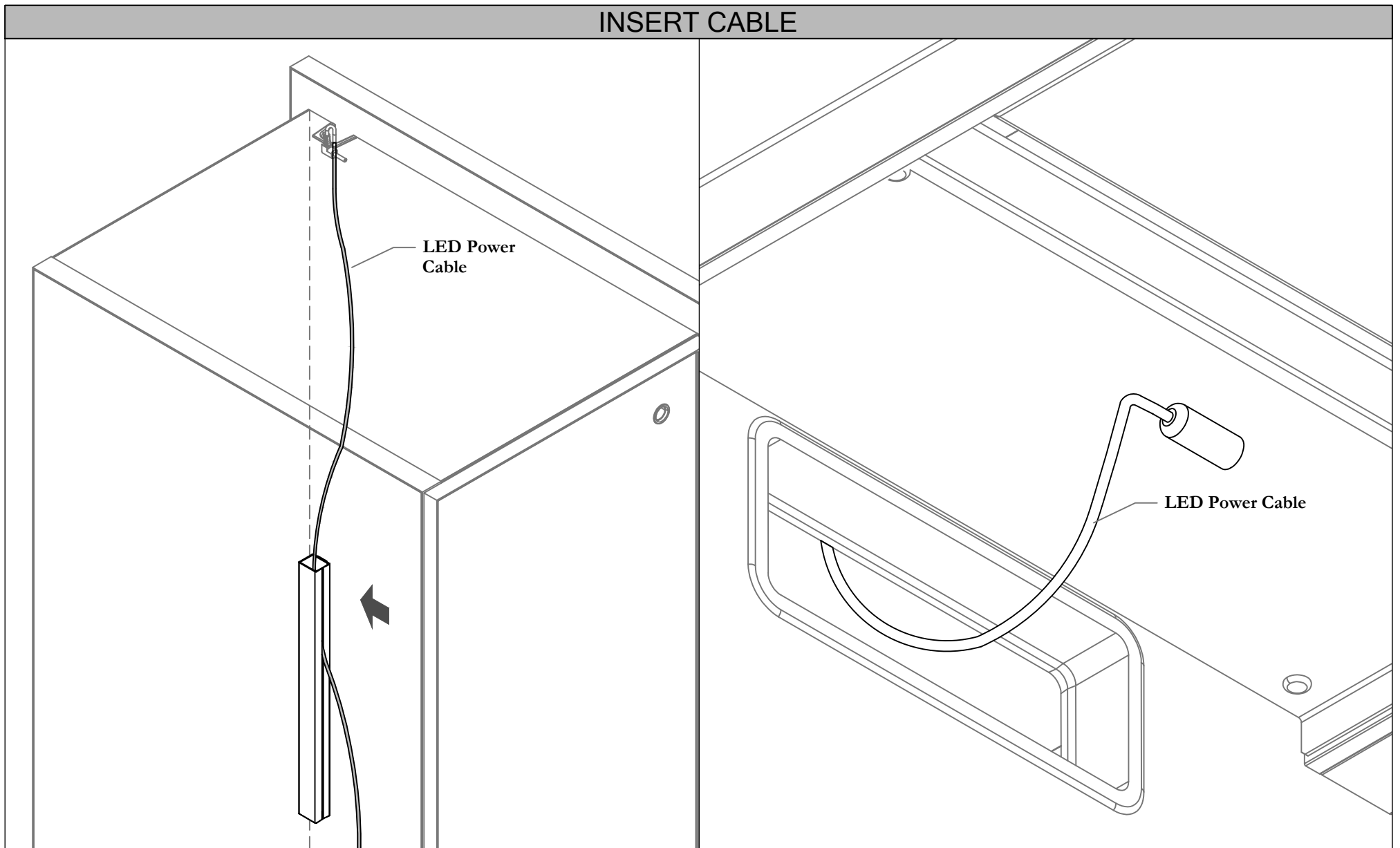
STEP 6: Peel off the cover on Adhesive Strip.

RELEASE TRIGGERS



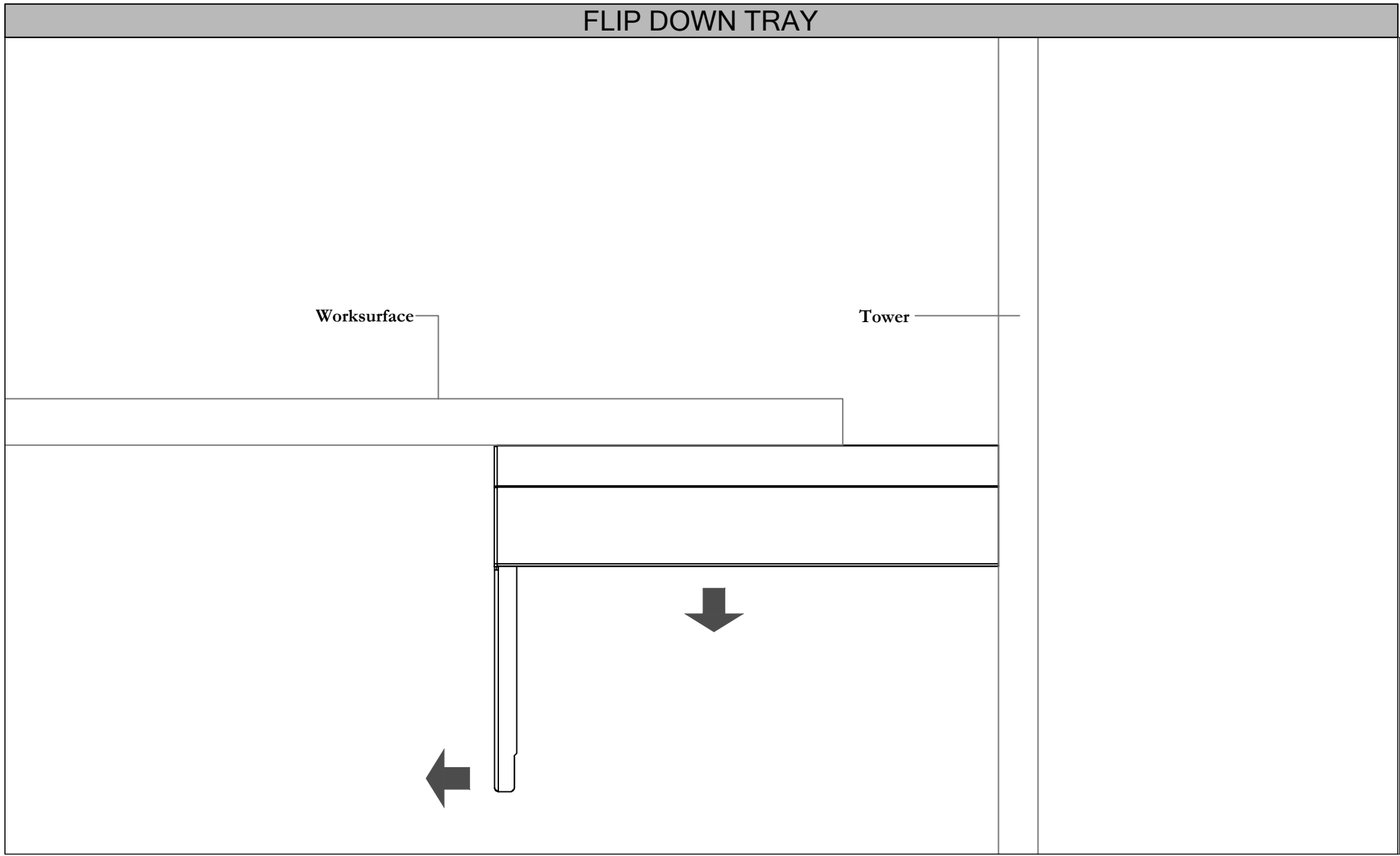
STEP 7: Attach Wire Management Tube as shown

INSERT CABLE



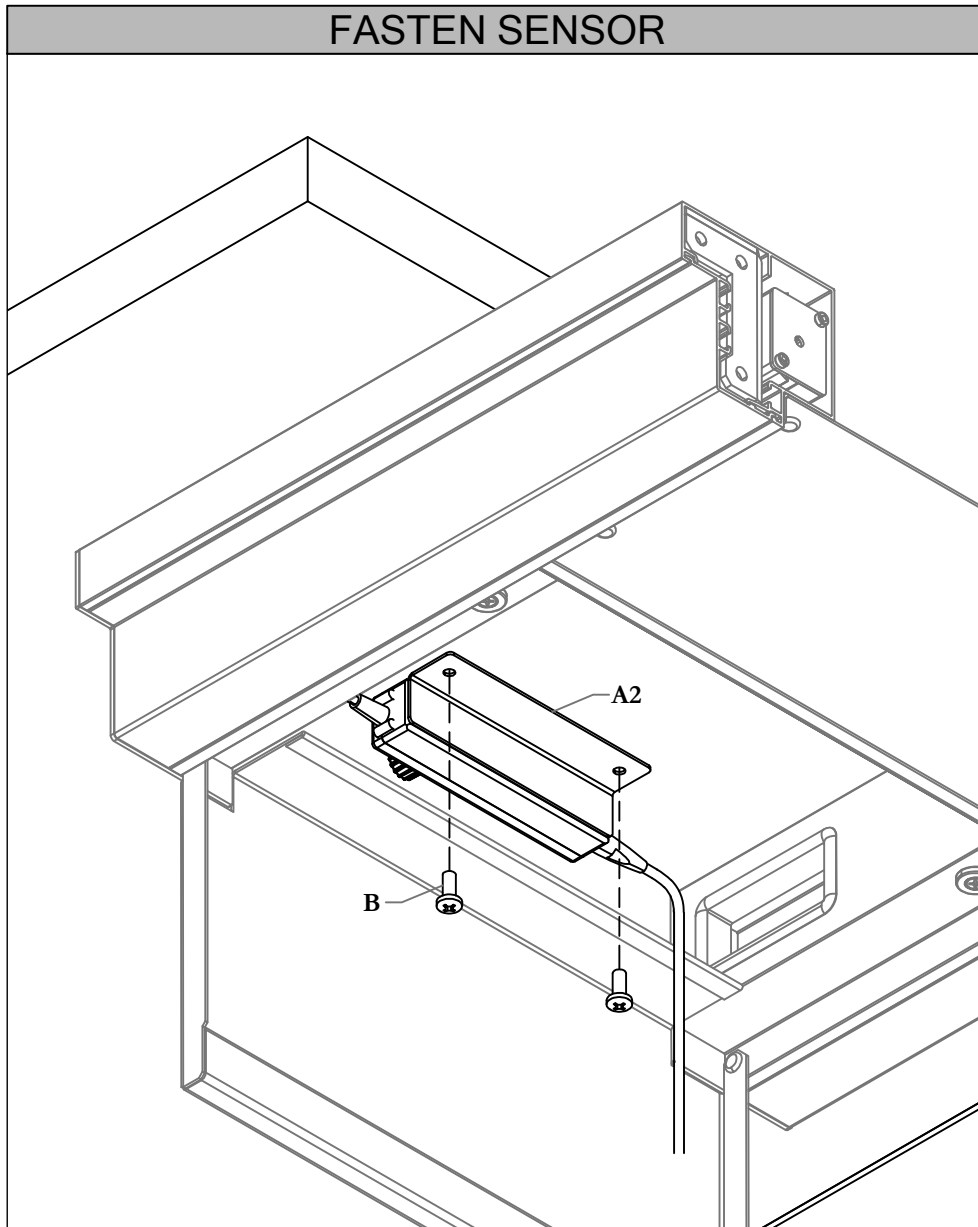
STEP 8a: Insert Cable into Wire Management Tube and feed through opening located at the side of Tower.

FLIP DOWN TRAY



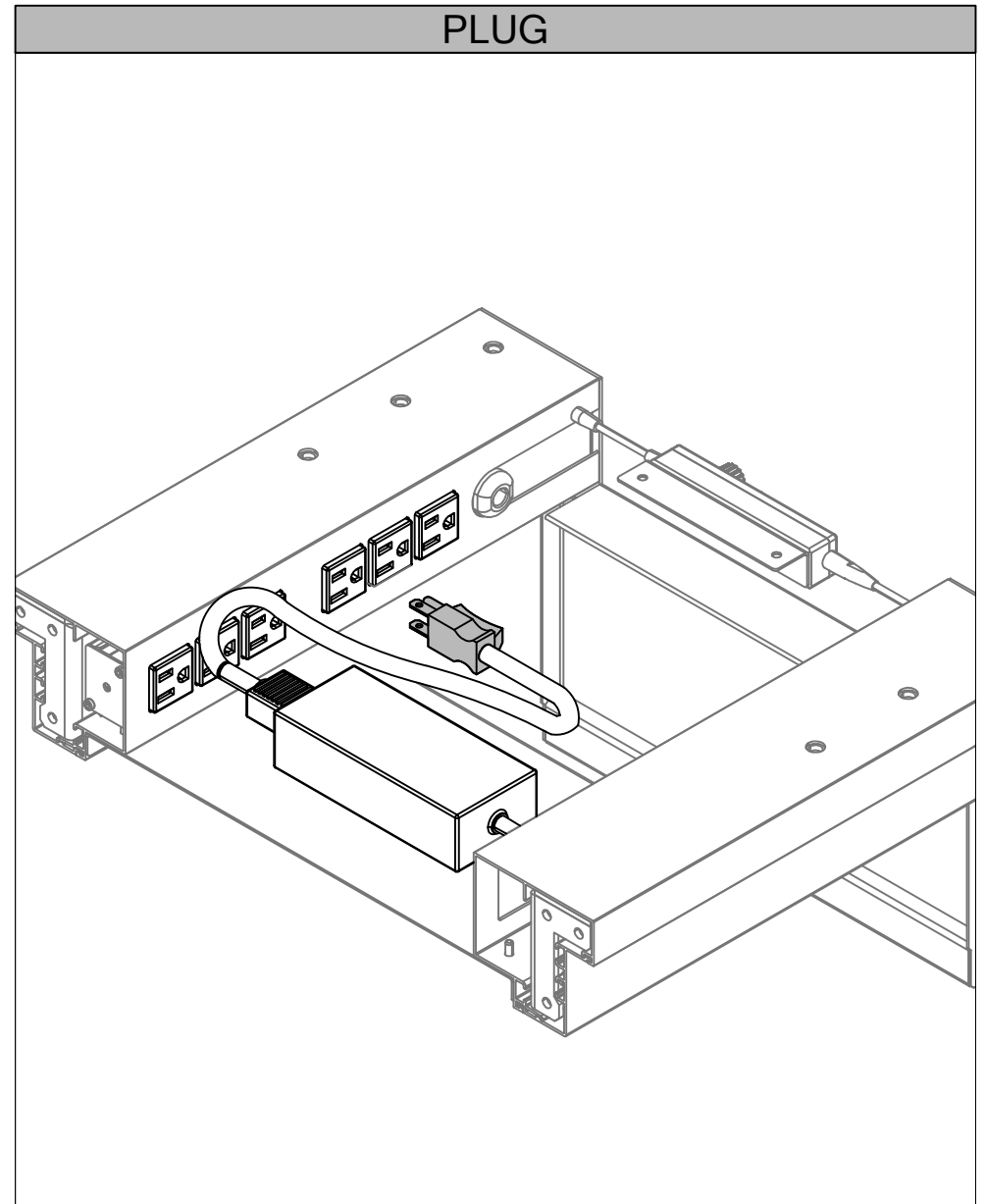
STEP 9a: Flip down tray of bridge

FASTEN SENSOR



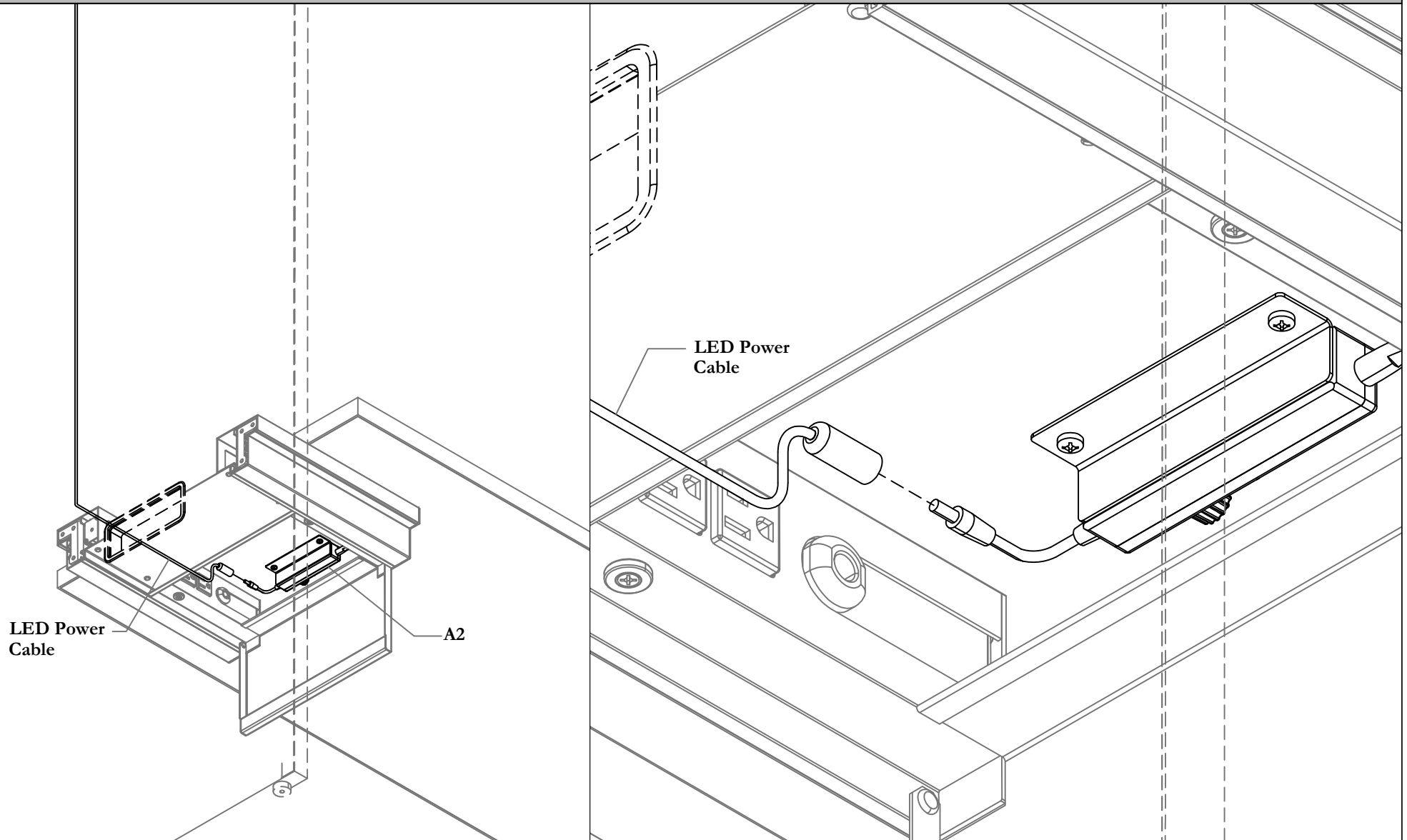
STEP 10a: Fasten Sensor to underside of Worksurface using screws provided

PLUG



STEP 11a: Place AC Adapter to tray of Bridge. Plug to any available socket.

PLUG TO SENSOR

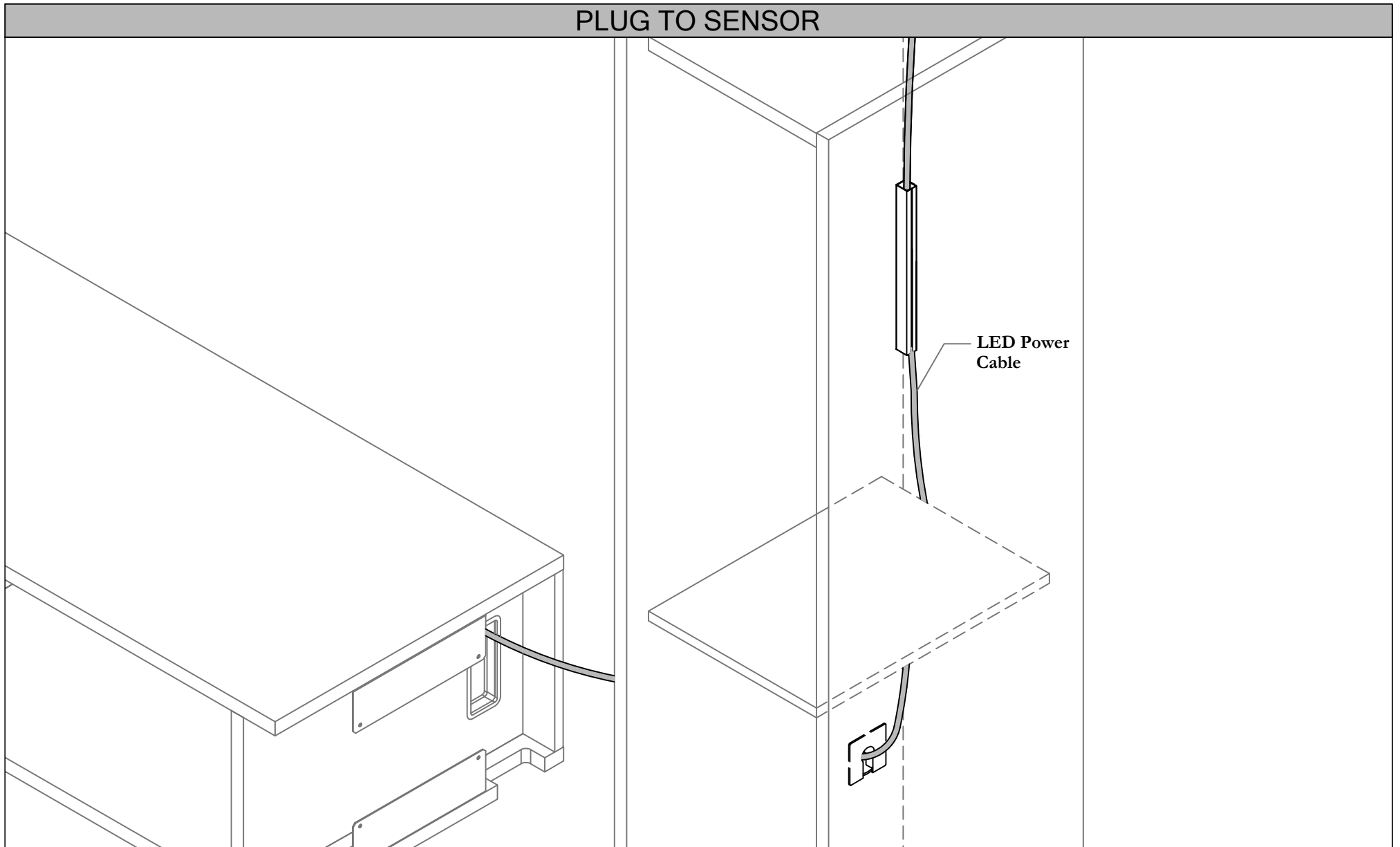


STEP 12a: Plug LED Power Cable previously passed through opening of tower to Sensor.

Section: **ELECTRICS AND ACCESSORIES**

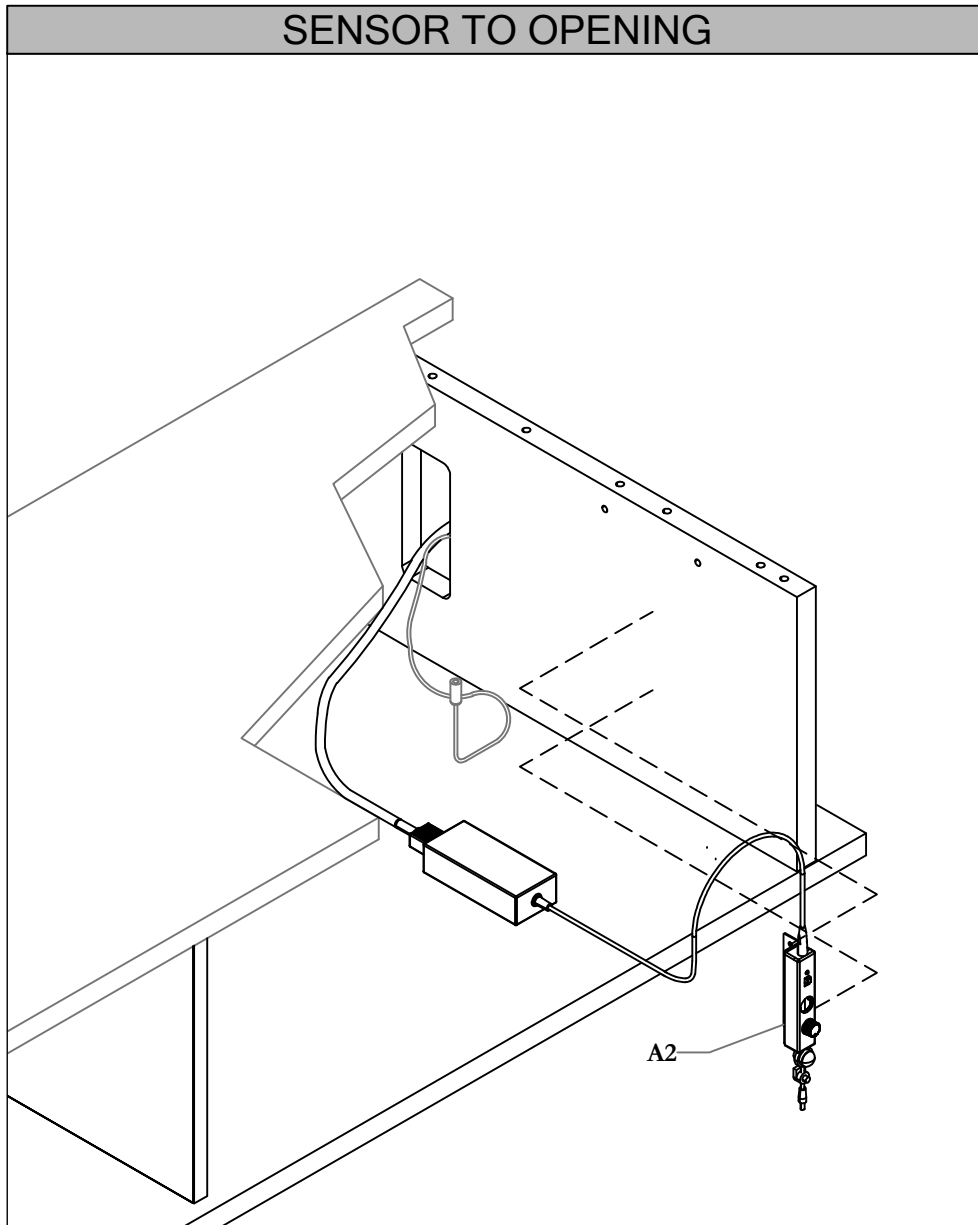
Description: **LED AMBIENT LIGHT AND SENSOR - LOUNGE RECLINER**

PLUG TO SENSOR



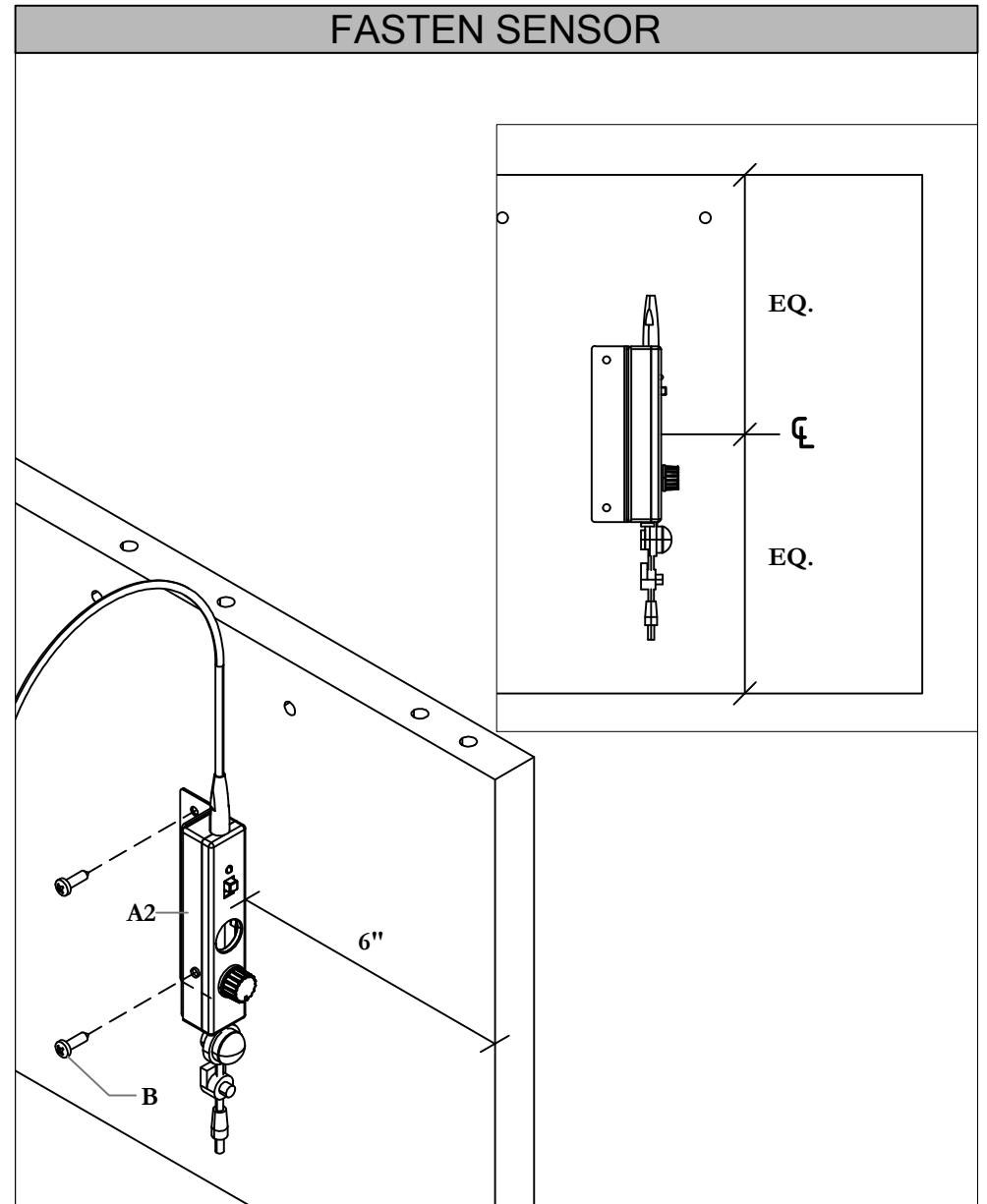
STEP 8b: Insert Cable into Wire Management Tube and feed through opening located at the side of Tower.

SENSOR TO OPENING



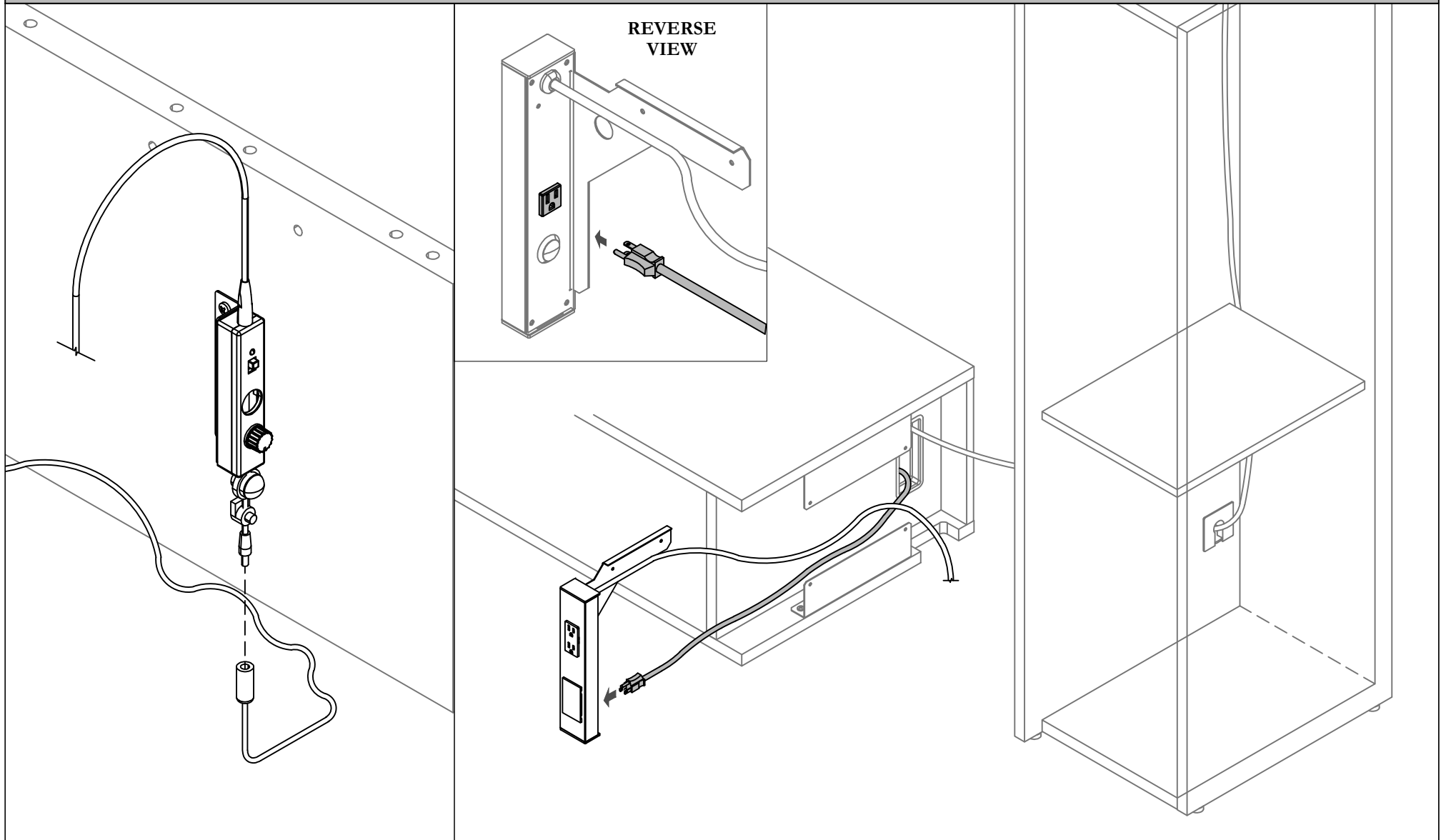
STEP 9b: Bring Sensor to the inside opening of Recliner.

FASTEN SENSOR



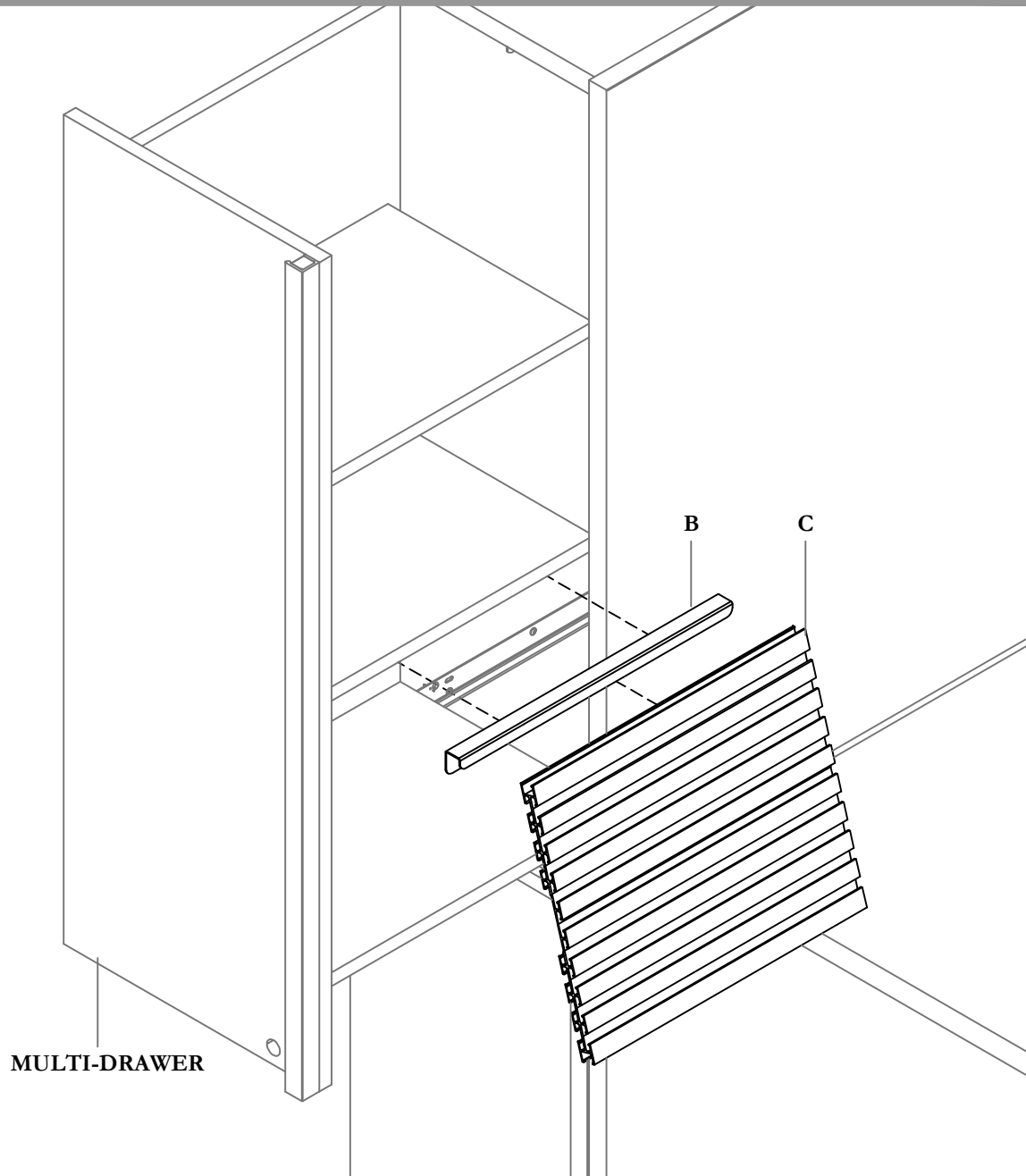
STEP 10b: Fasten Sensor as shown using screws provided.

LED CABLE TO SENSOR



STEP 11b: Plug LED Power Cable to Sensor and run all Cables through the cut-out on Recliner.
NOTE: Refer to Installation Guide SID_003 for Lounge Recliner Installation.

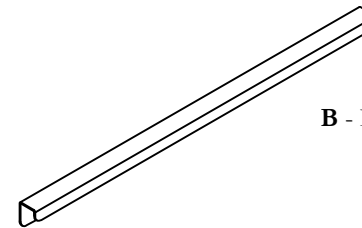
Accessory Rail Element (SWDA)



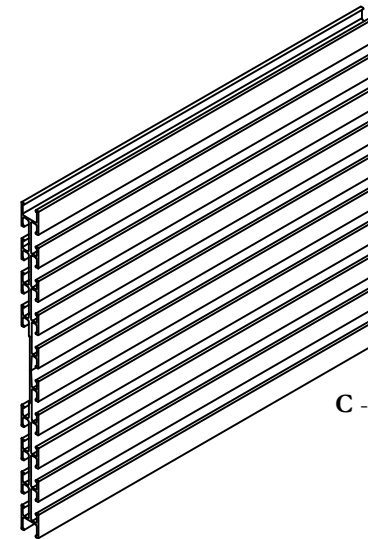
Part and Product Identification



A - #8x5/8" Recex Pan Head
Wood Screw, Black
(402100) x3



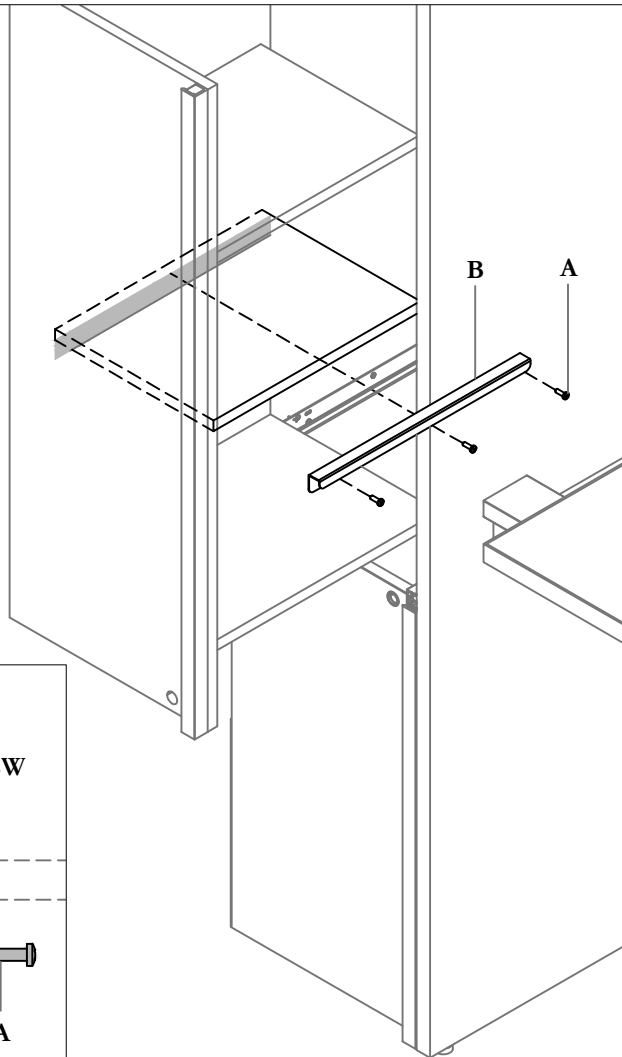
B - Insert Element Bracket
(A15-64622+ww) x1



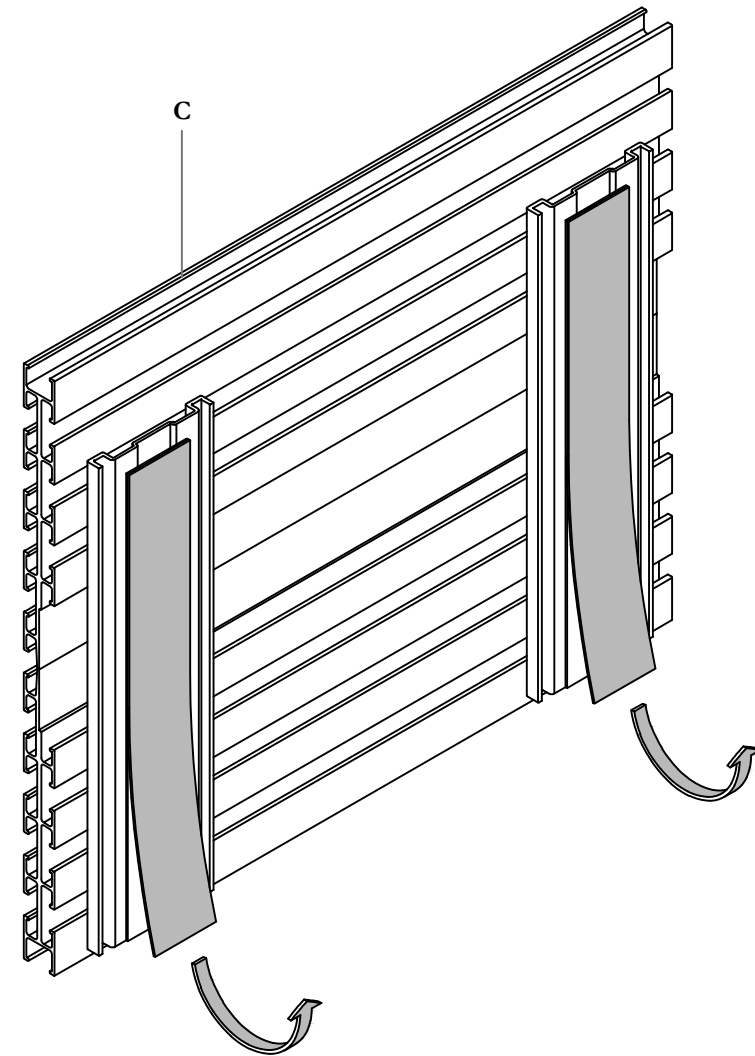
C - Accessory Inset Element
(N80-61588+13+ww) x1
Or
(N80-61588+15+ww) x1

For Customer Support please contact
product.support@tekunion.com

BRACKET ASSEMBLY



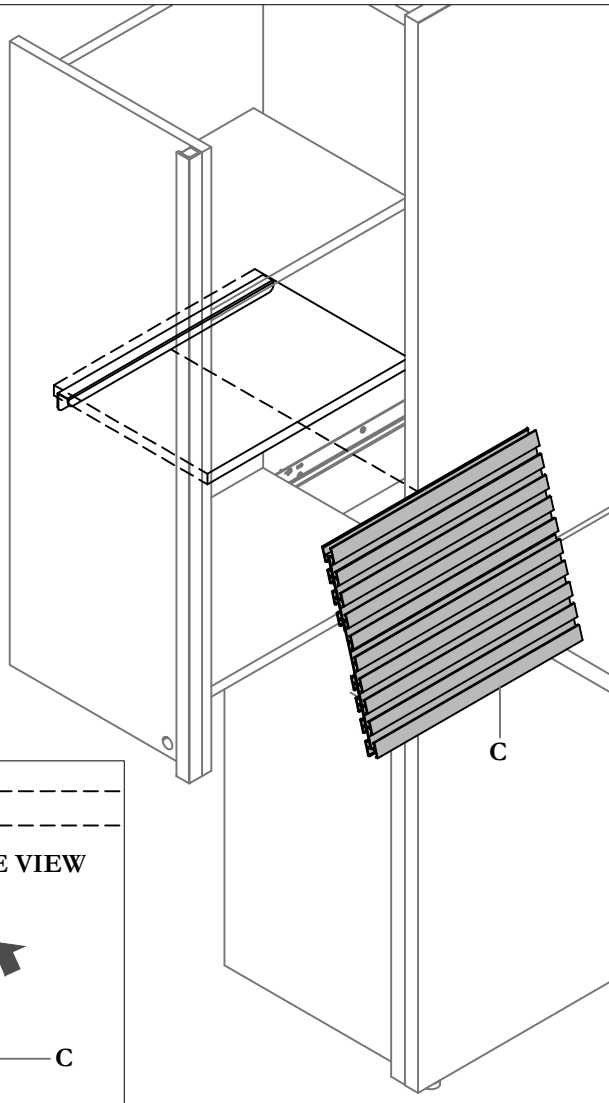
PEEL OFF ADHESIVE STRIP COVER



STEP 1: Attach Bracket onto the highlighted location under the fixed shelf as shown, and secure it with Screws.

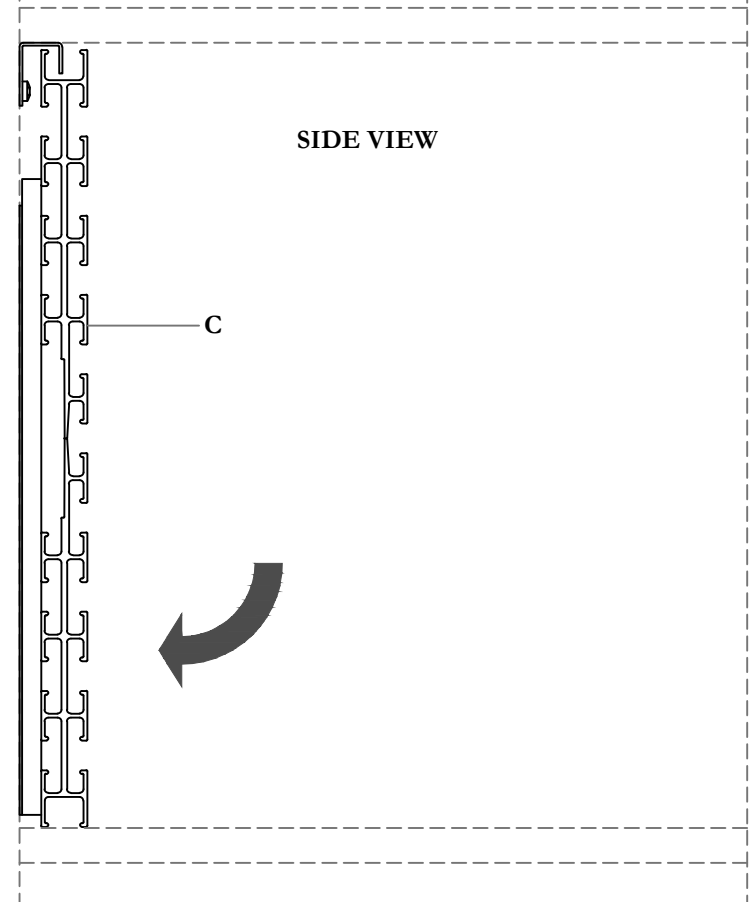
STEP 2: Flip over Inset Element, and peel off both adhesive covers.

INSERT INSET ELEMENT



STEP 3: Insert Inset Element to the Bracket at an angle as shown above.

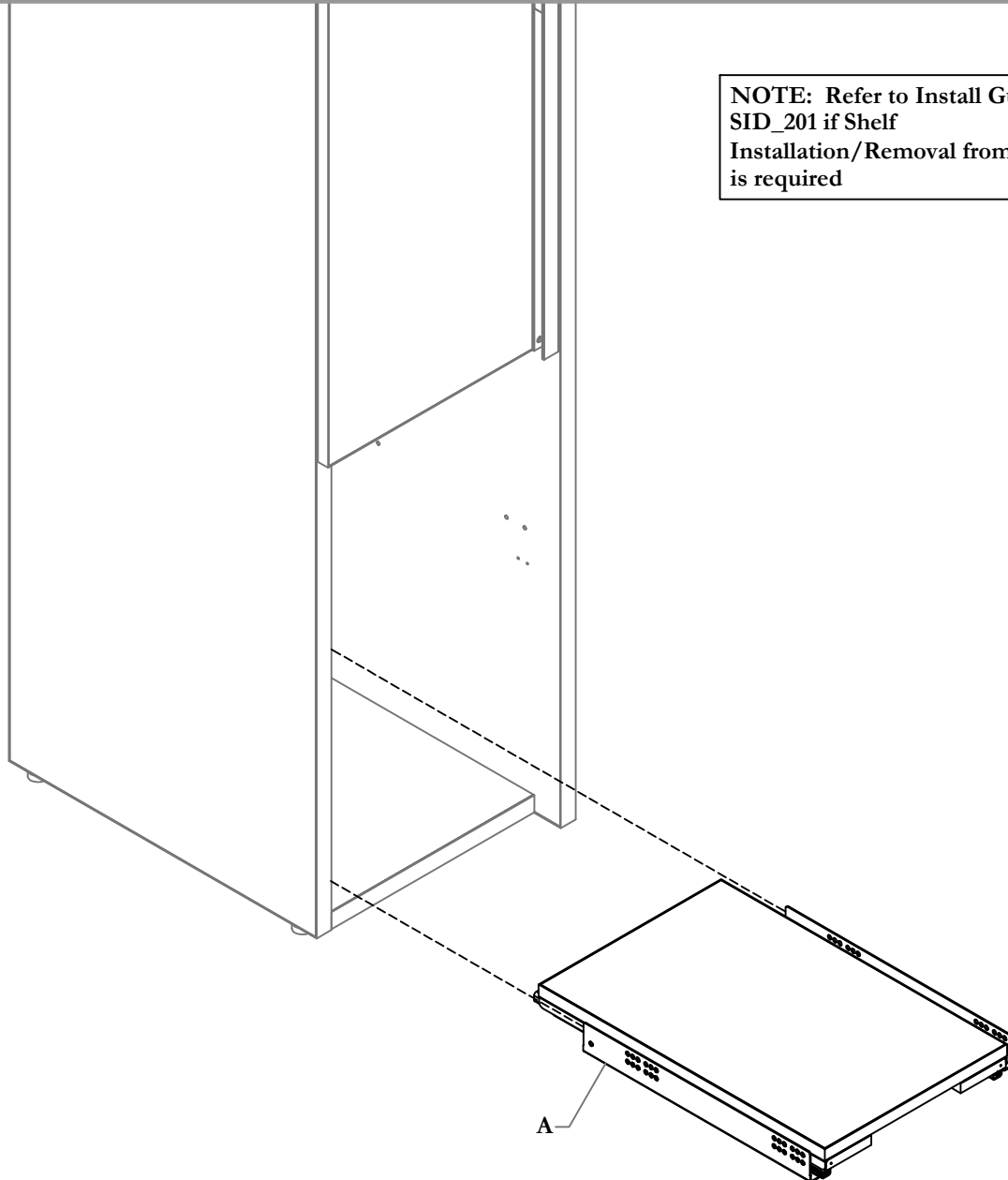
ATTACH INSET ELEMENT



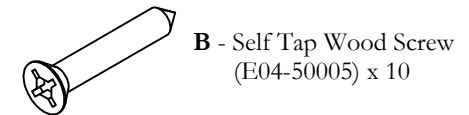
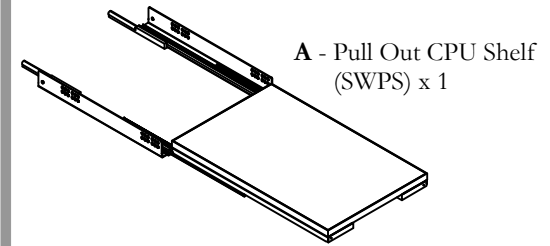
STEP 4: Rotate Inset Element and press it to attach the adhesive strips to the back panel.

Pull Out CPU Shelf (SWPS)

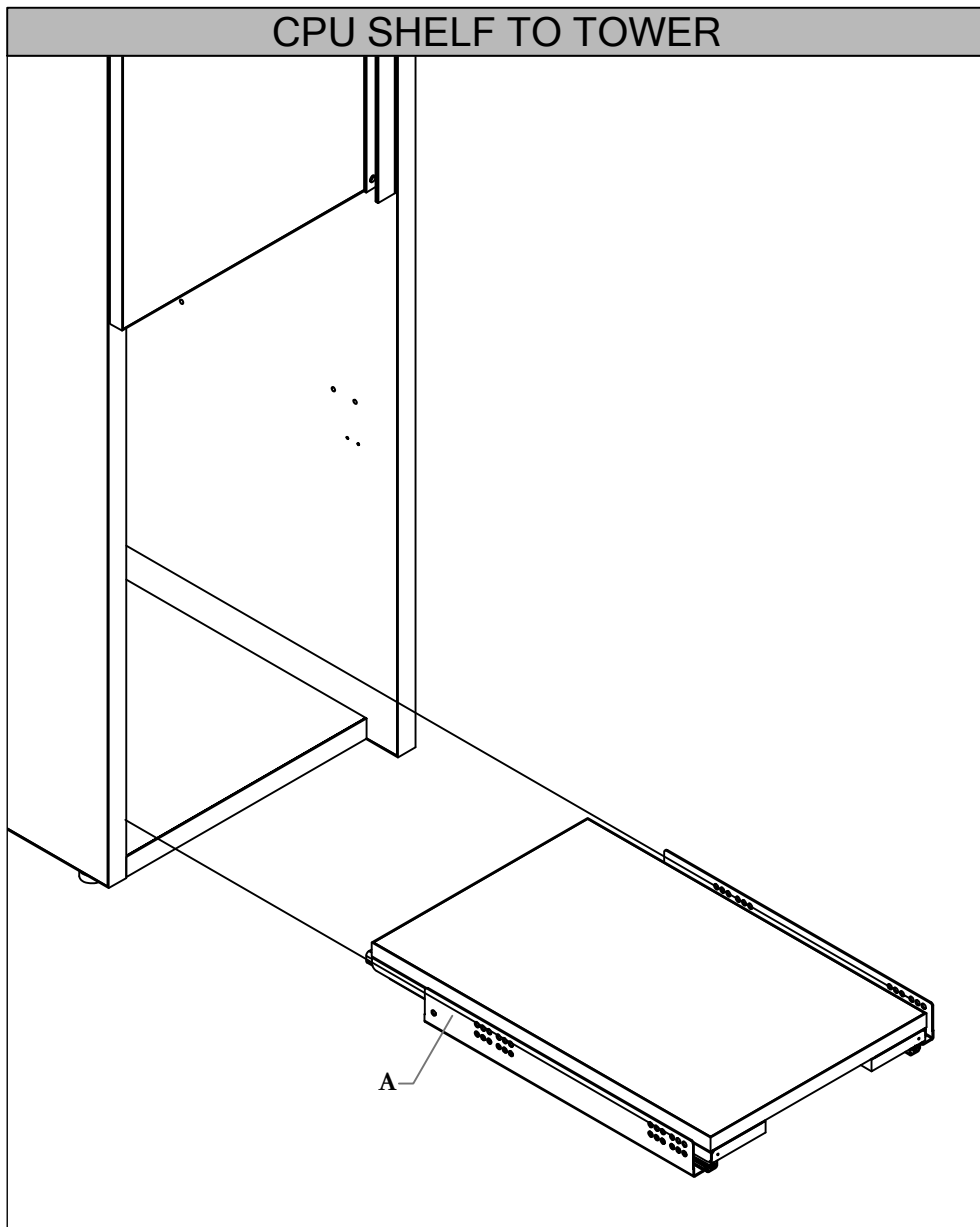
**NOTE: Refer to Install Guide
SID_201 if Shelf
Installation/Removal from Rail
is required**



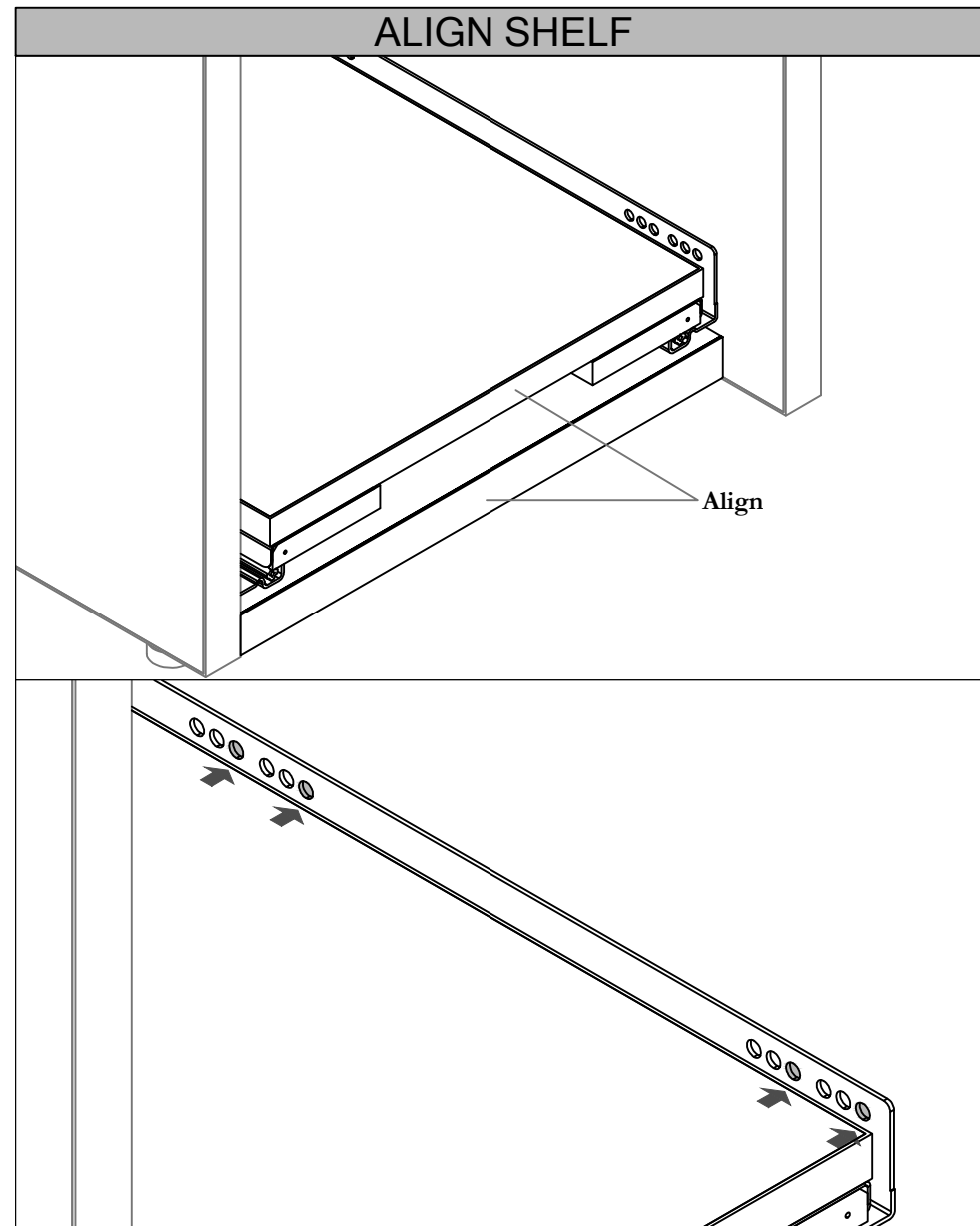
Part and Product Identification



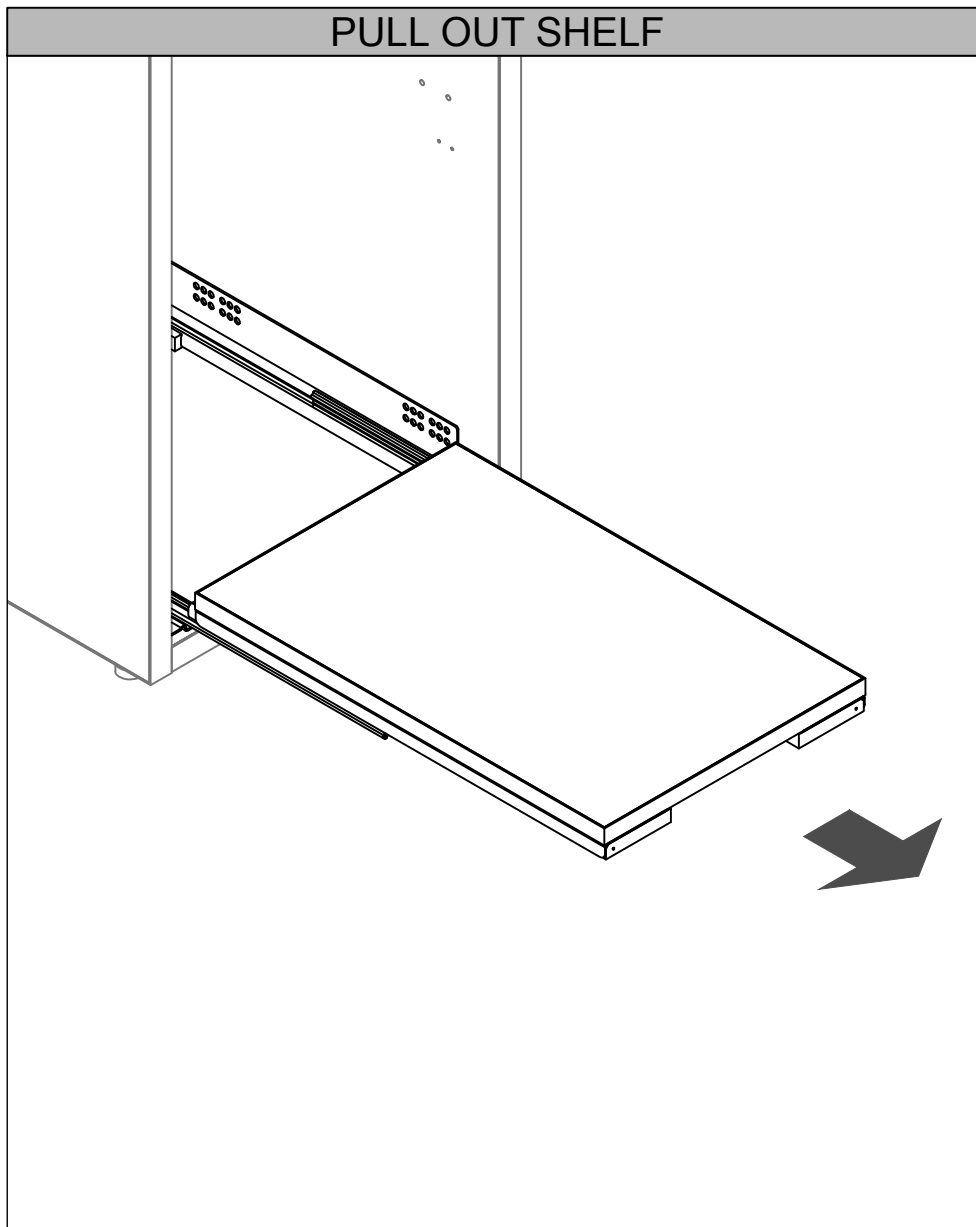
**For Customer Support please contact
product.support@tekunion.com**



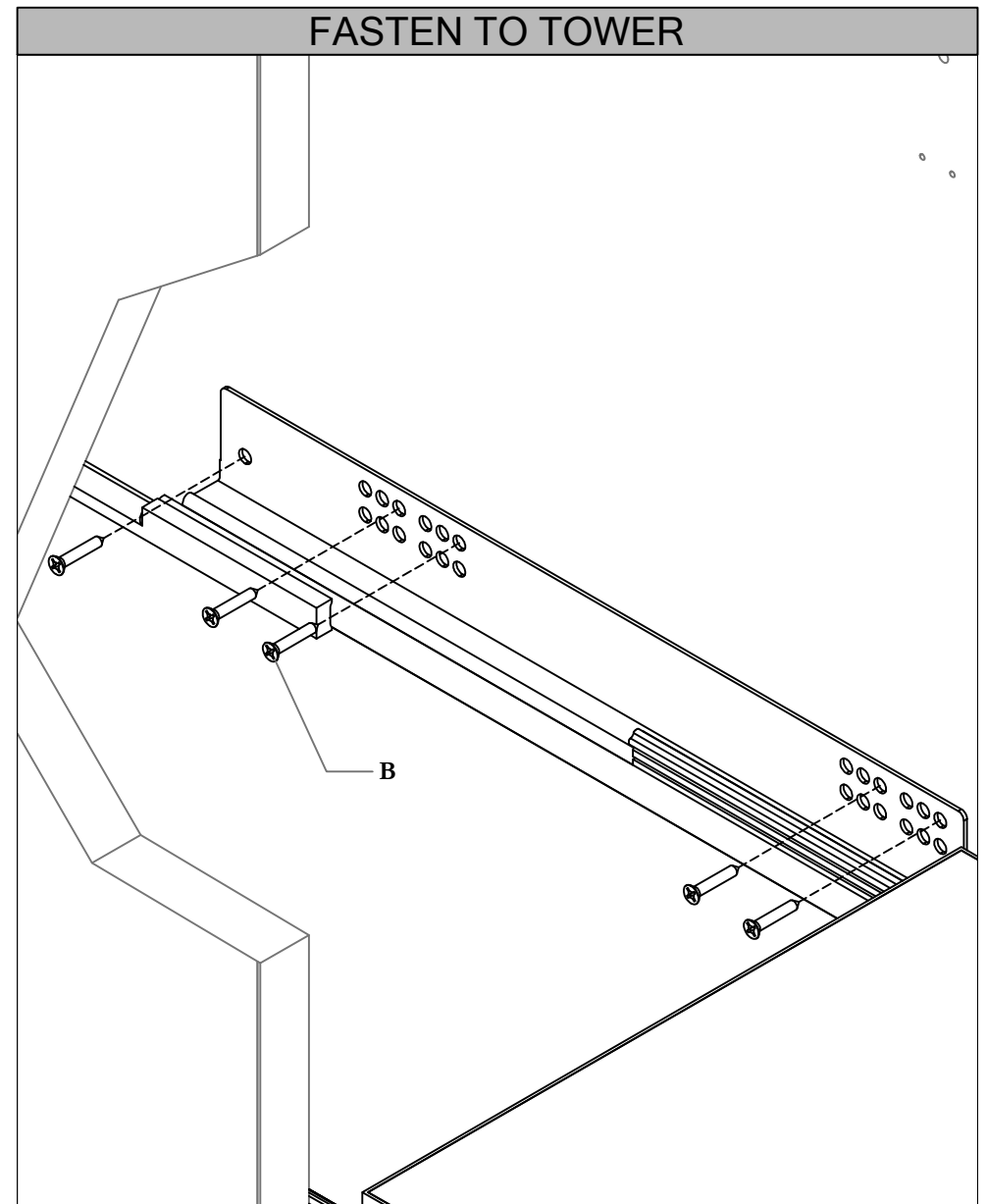
STEP 1: Place CPU Shelf at the bottom shelf cavity of Tower



STEP 2: Align CPU Shelf to the bottom of Tower. Mark areas shown to fasten CPU Shelf to tower.

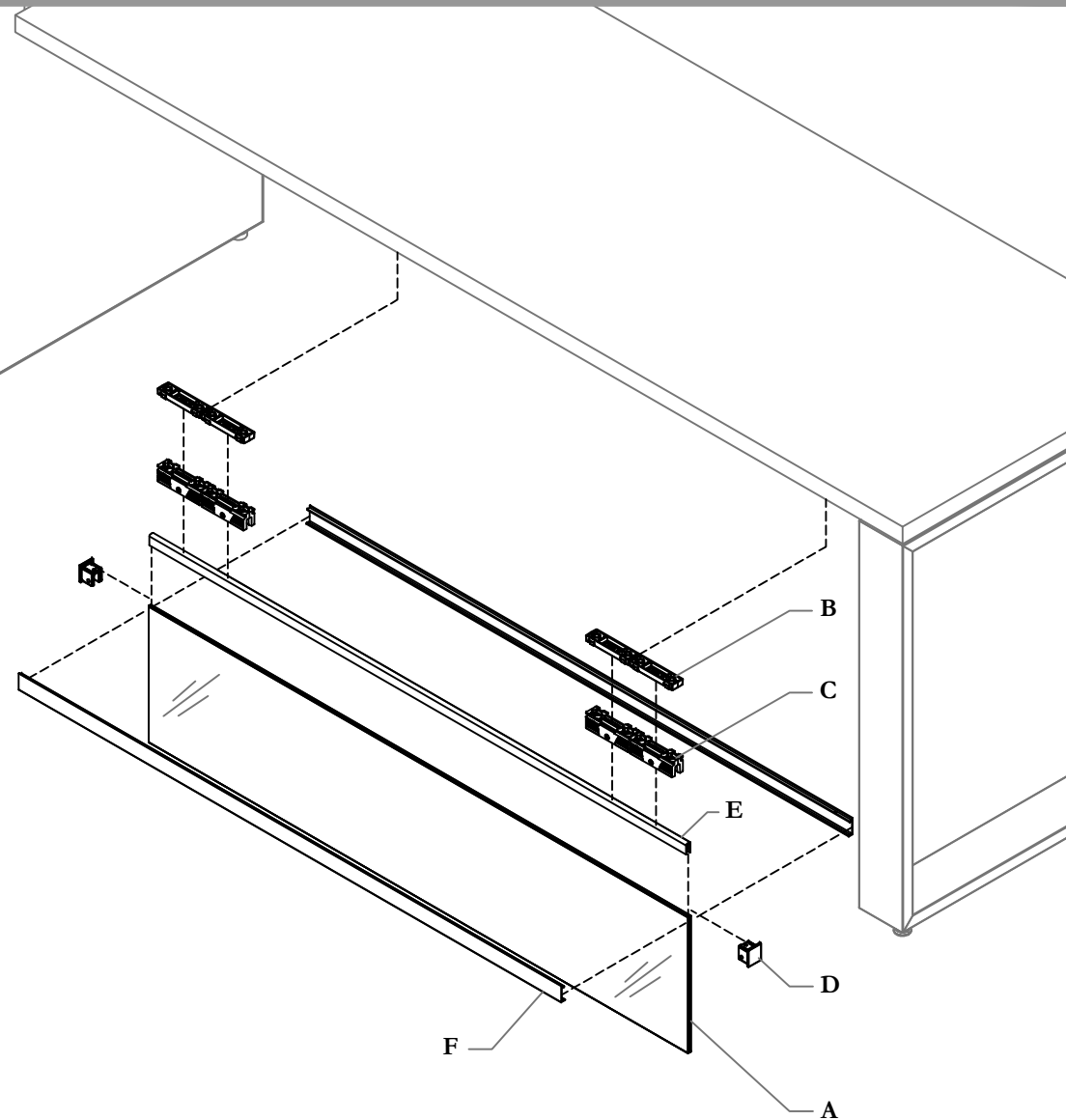


STEP 3: Pull Shelf so Tracks are fully extended.

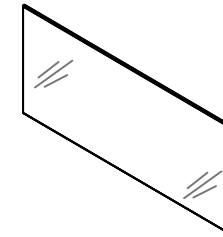


STEP 4: Fasten both Brackets with screws provided.

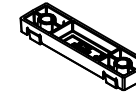
Glass Modesty Panel (SWMPG)



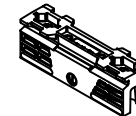
Part and Product Identification



A - Glass Modesty Panel
(H02-64018) x 1



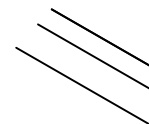
B - Optional Spacer for Hardware
Clearance (B02-64001) x As per
order



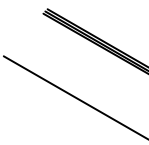
C - Assembly Bracket
(N80-64145) x As per order



D - End Cap (A25-61021L) x 1 and
(A25-61021R) x 1



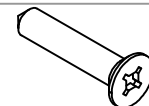
E - Plastic Gasket
(B03-50077) x 1



F - Modesty Panel Cover
(A21-50179) x 2

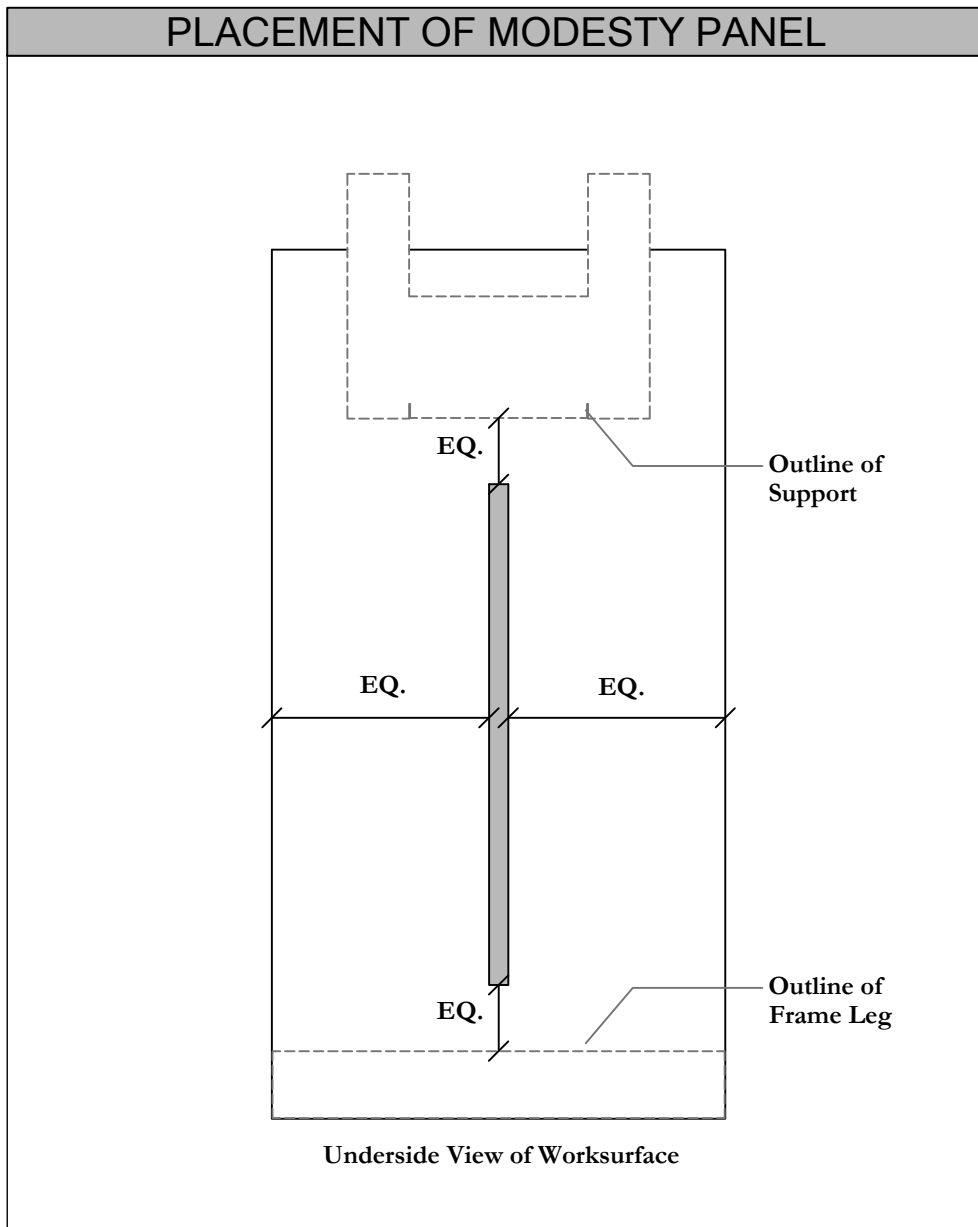


G - $\frac{1}{4}$ " - 20 x $\frac{1}{4}$ " Flat Point, Hex
Socket Screw (E01- 50308) x As
per order

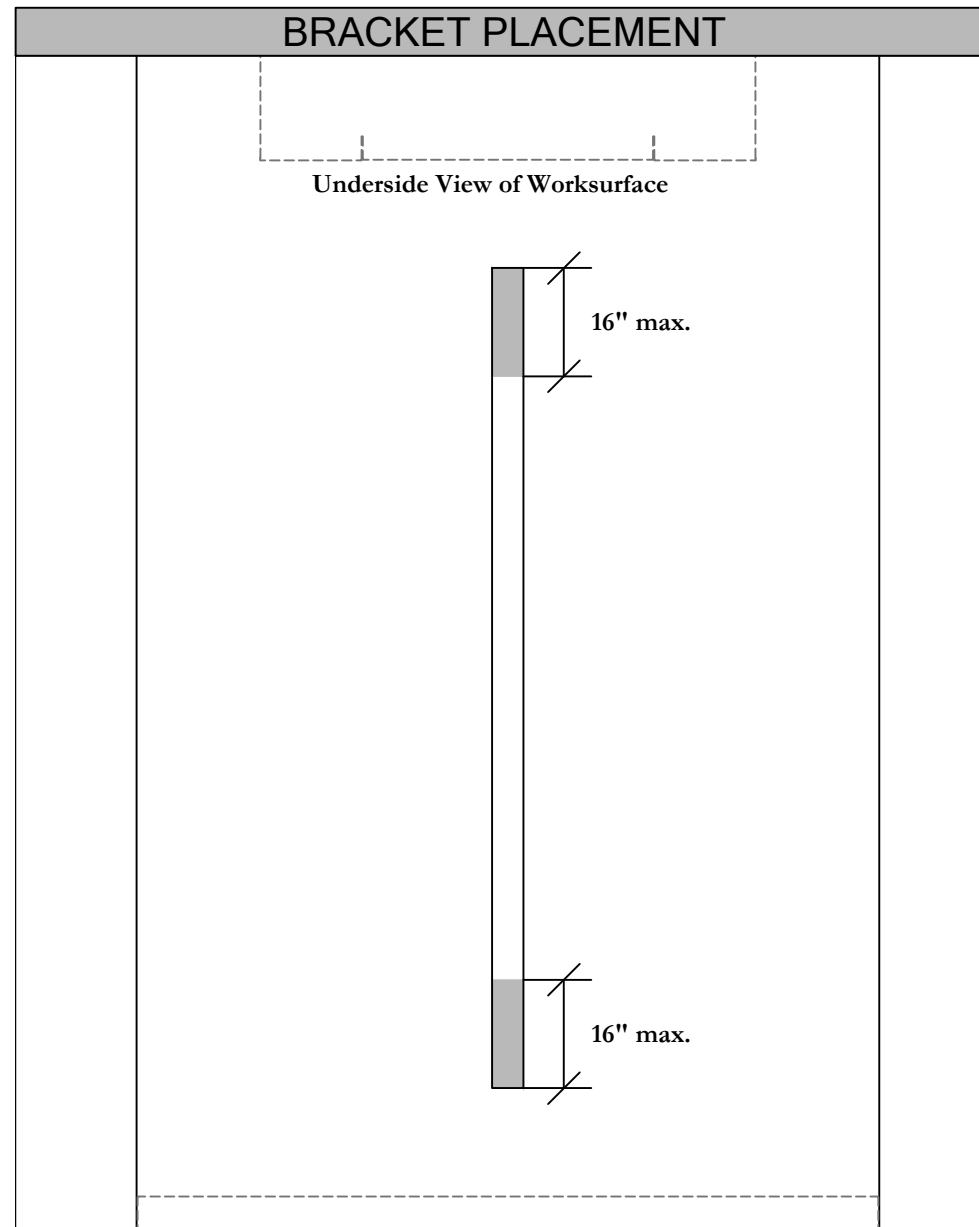


H - #14 x $1\frac{1}{4}$ " Quad Pan Head
Wood Screw (E04-50059) x As
per order

For Customer Support please contact
product.support@teknion.com

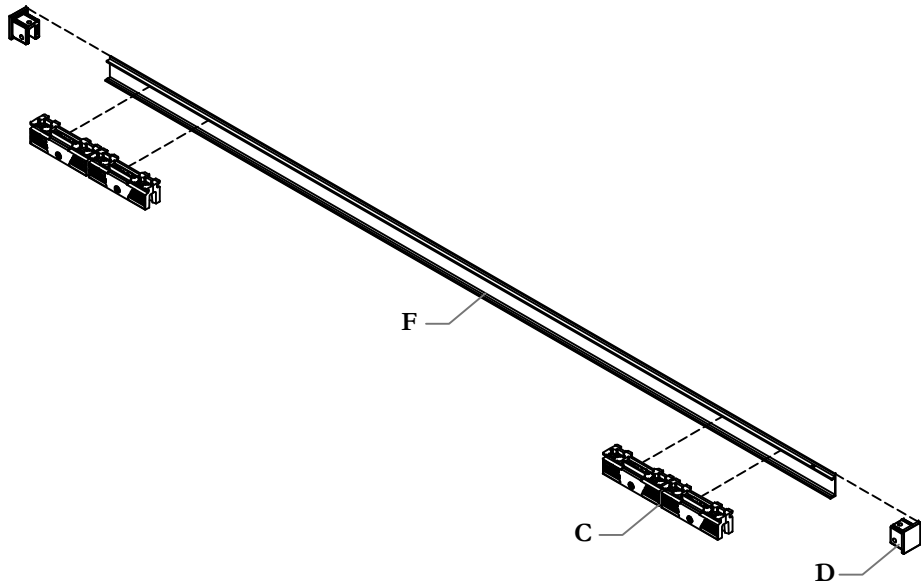


STEP 1: Illustration shows location for Modesty Panel.



NOTE: All Brackets must be installed in the first 16" of each end.

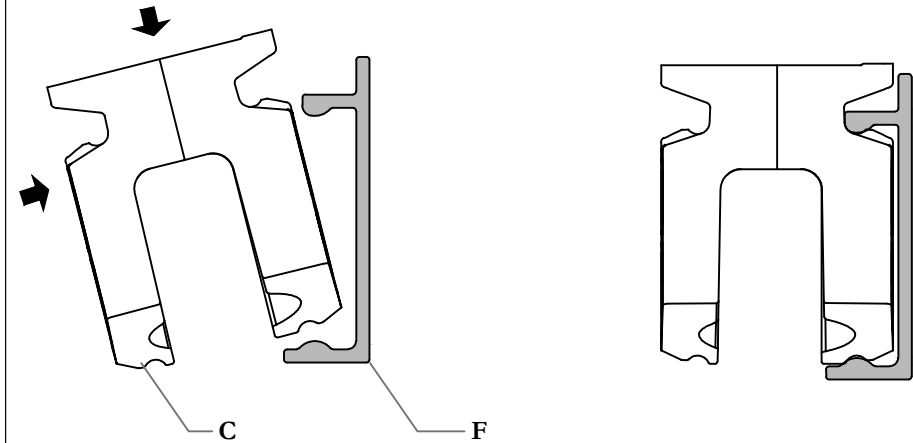
ASSEMBLE BRACKETS, COVER & END CAPS



STEP 2: Assemble Brackets, Modesty Panel Cover and End Caps together as show on illustration.

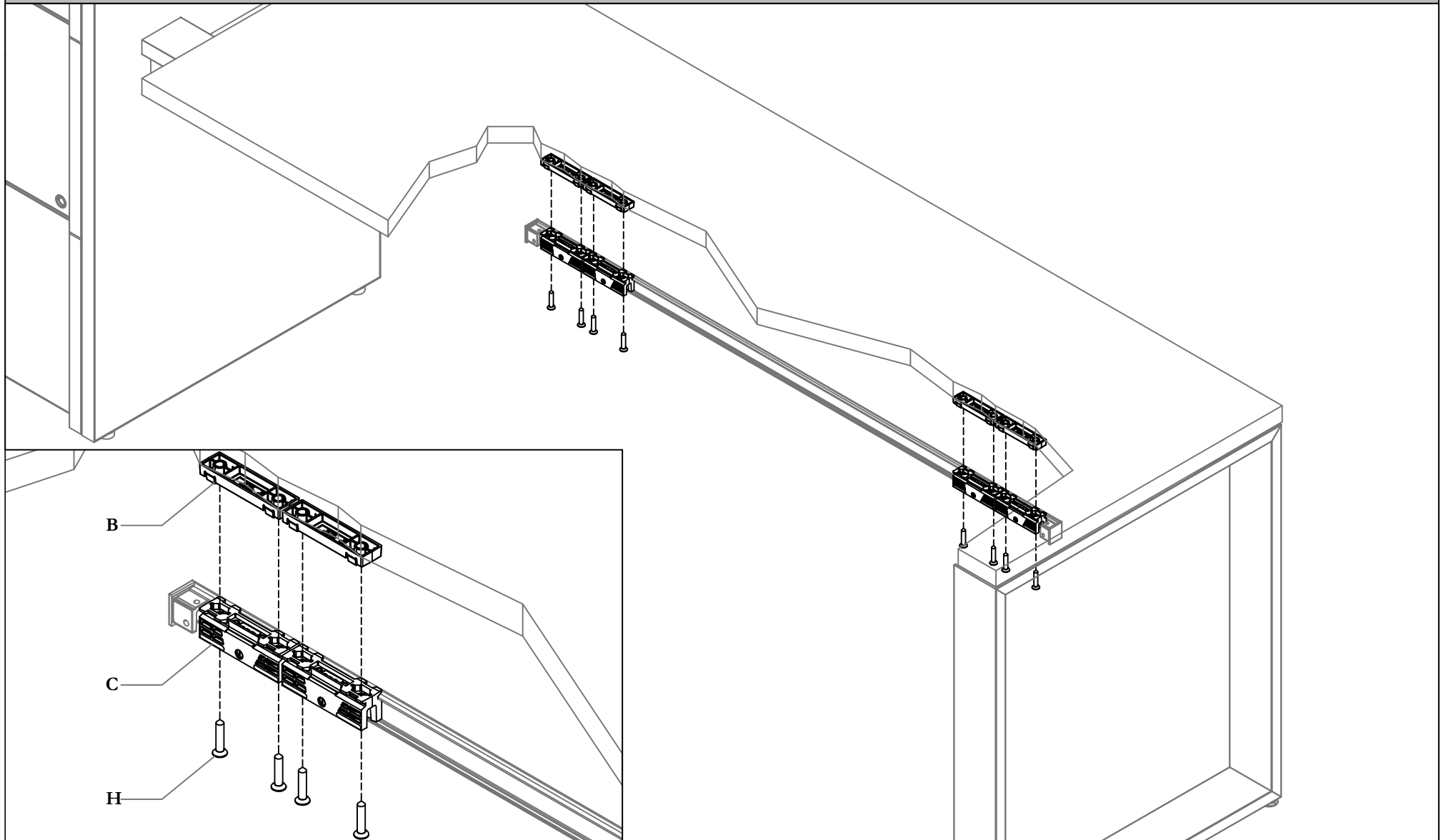
INSERT BRACKETS INTO COVER

Underside View of Worksurface



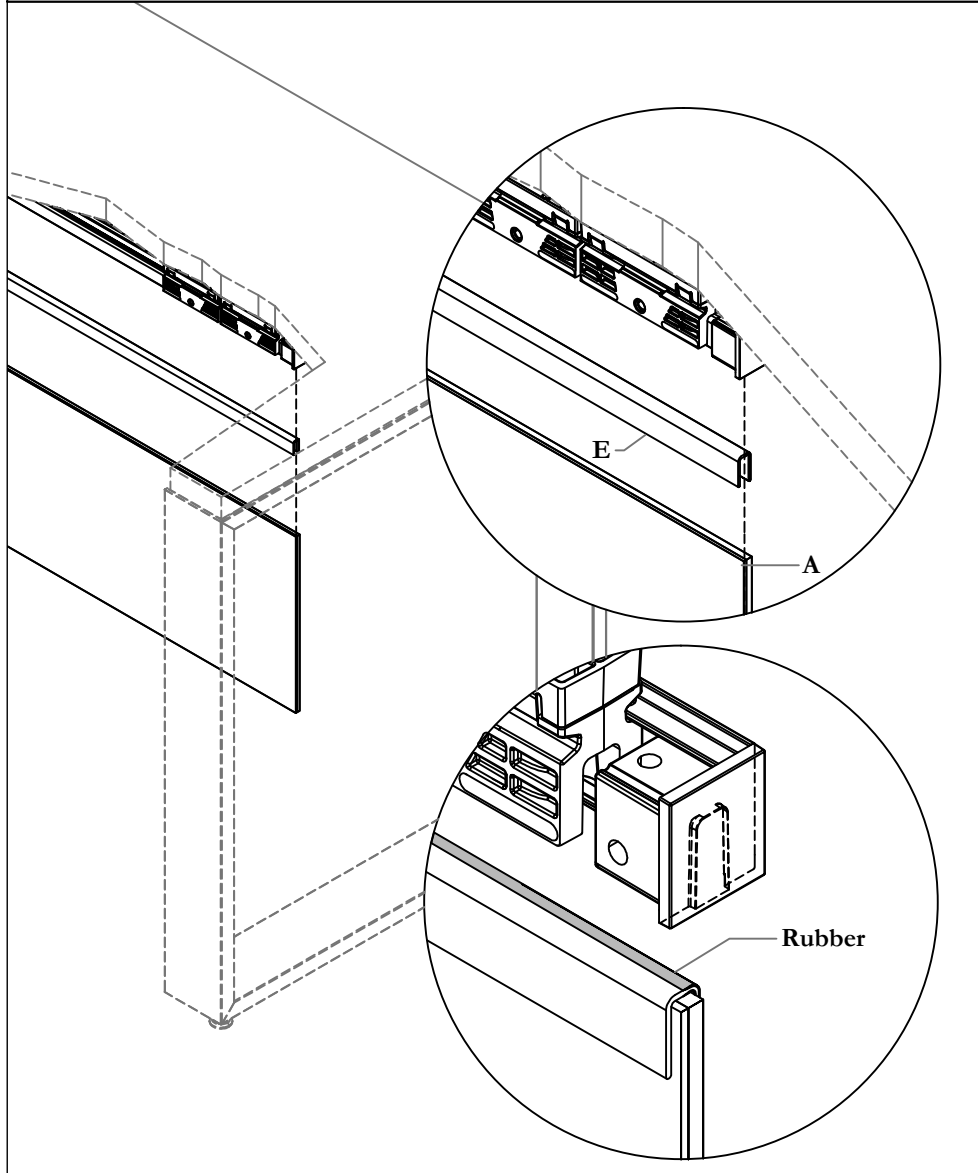
STEP 3: Angle Bracket to Cover as shown.

FASTEN BRACKET & SPACER TO WORKSURFACE



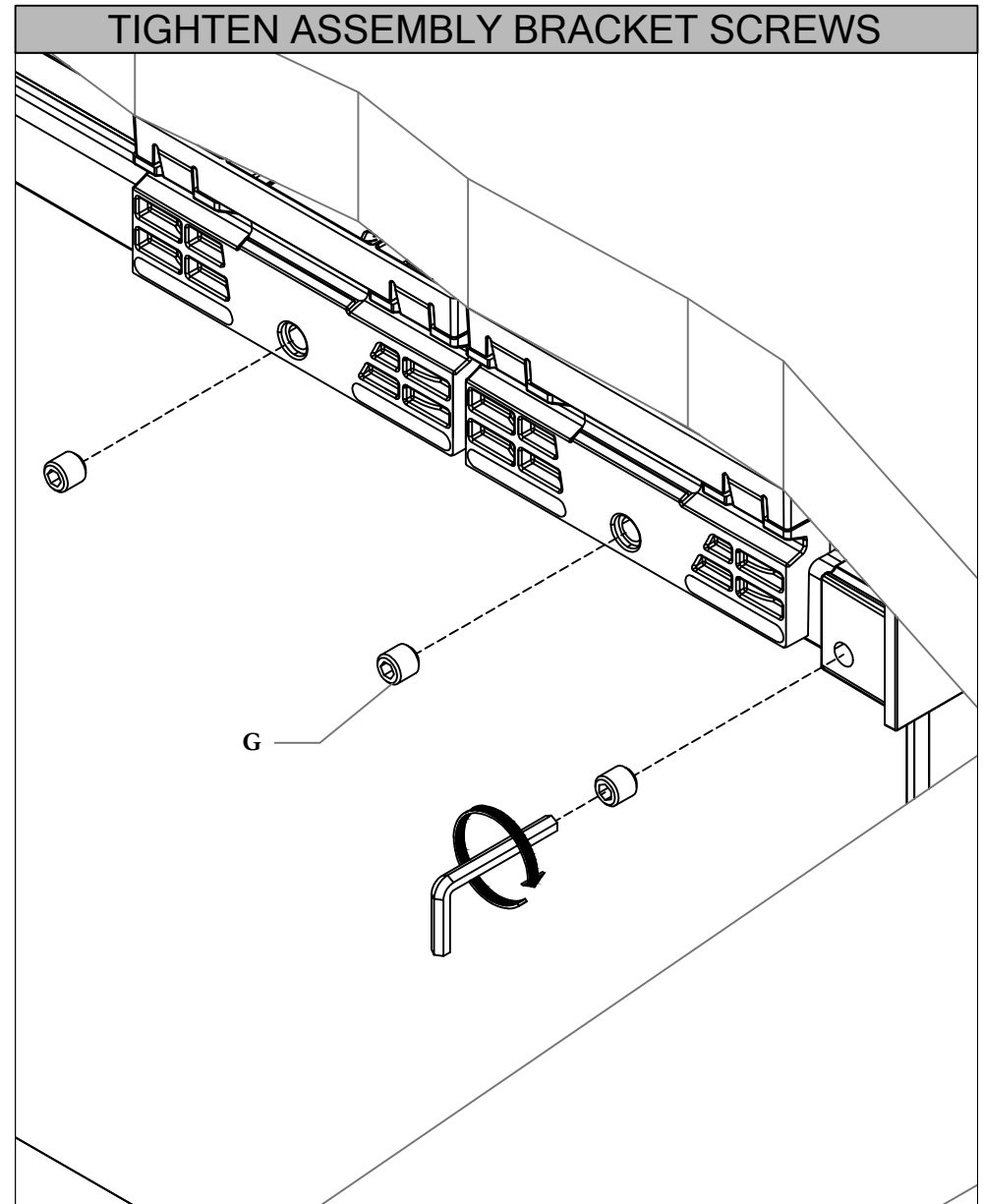
STEP 4: Fasten Bracket and Spacer to underside of Worksurface.

INSTALL GLASS PANEL & PLASTIC GASKET



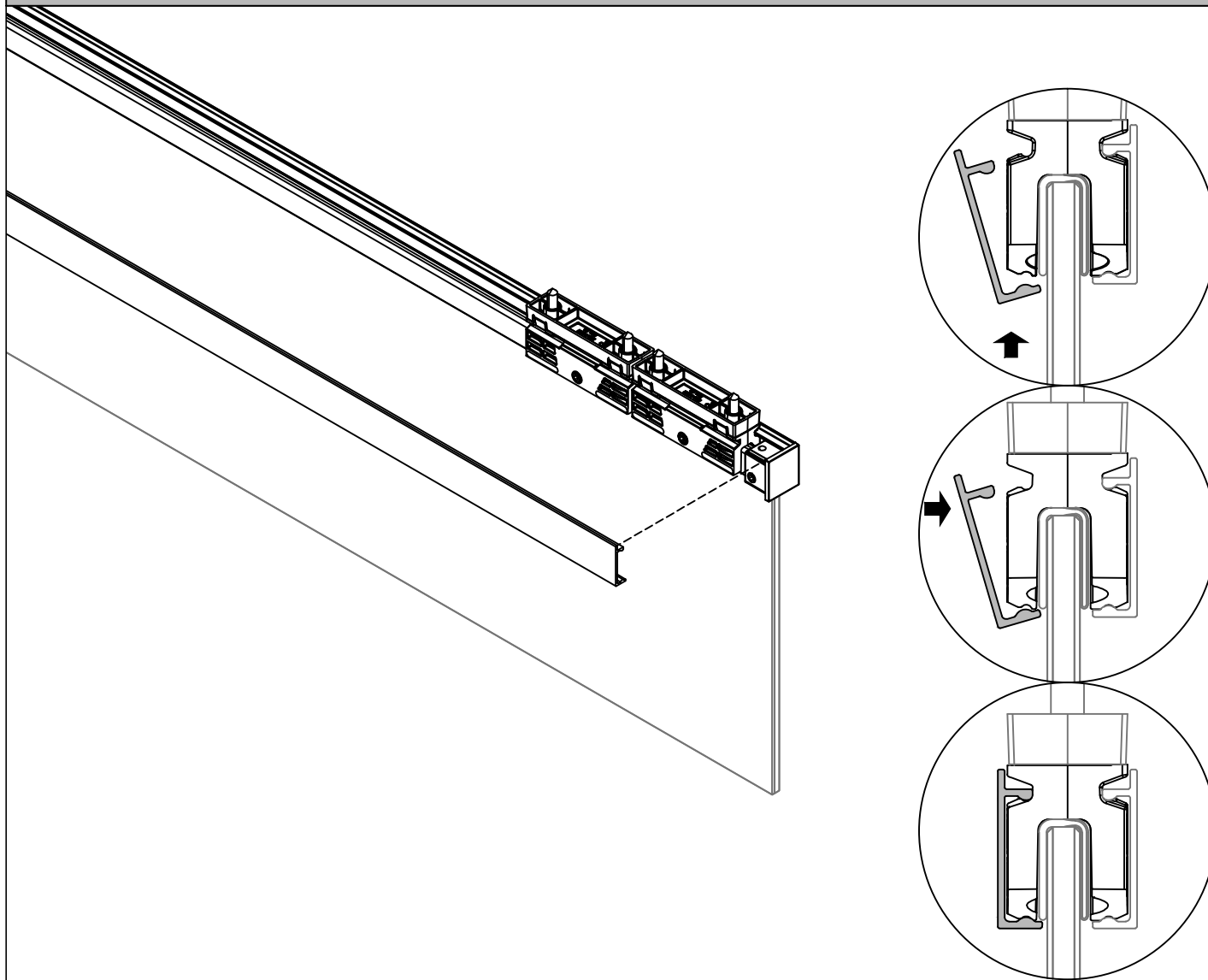
STEP 5: Insert Glass Panel to Plastic Gasket. Then line up Gasket to cavity of Endcap.
NOTE: The rubber side of the plastic extrusion must be installed the opposite side of the socket set screws

TIGHTEN ASSEMBLY BRACKET SCREWS



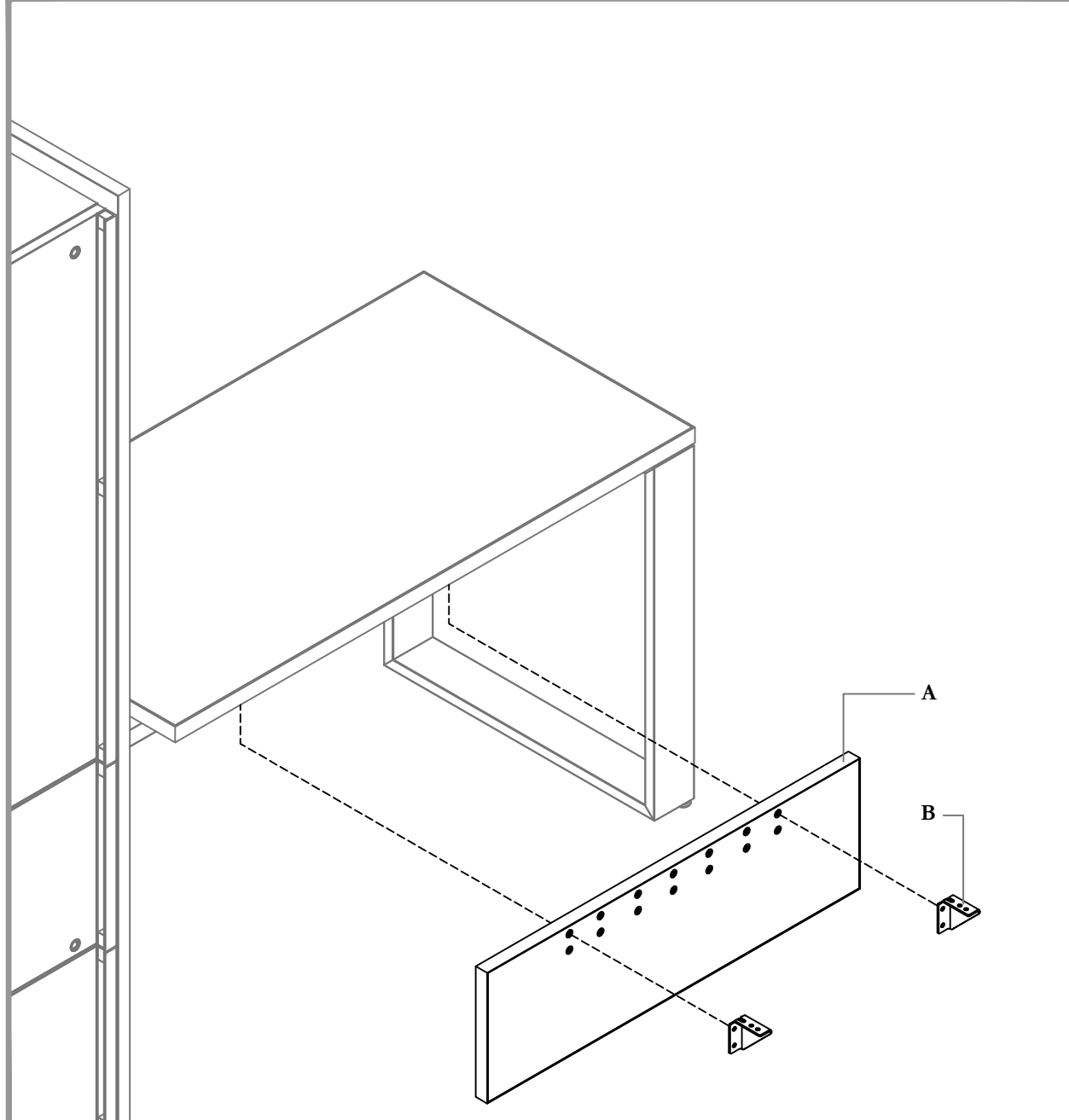
STEP 6: Tighten all Socket Set Screws with Allen Key

ATTACH PANEL COVER

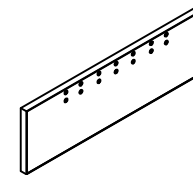


STEP 7: Fasten Cover to Bracket as shown on illustration.

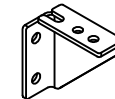
Solid Modesty Panel (SWMPS)



Part and Product Identification



A - Modesty Panel
(BZAMSL) x 1



B - Metal Modesty Bracket
(A15-61699) x 2



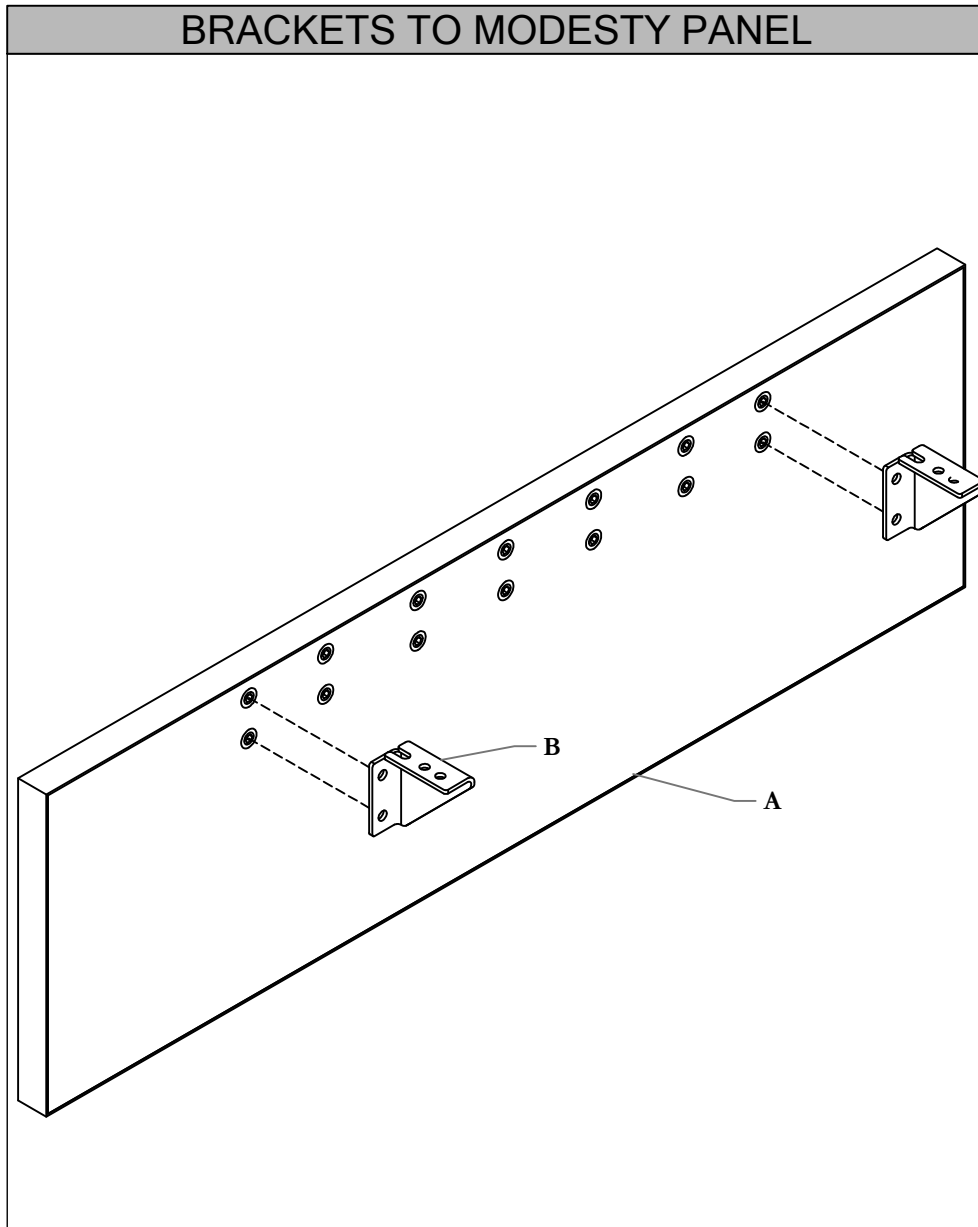
C - $\frac{1}{4}$ - 20 x $\frac{5}{8}$ " Quad Pan Head
Black (E01-50403) x 4



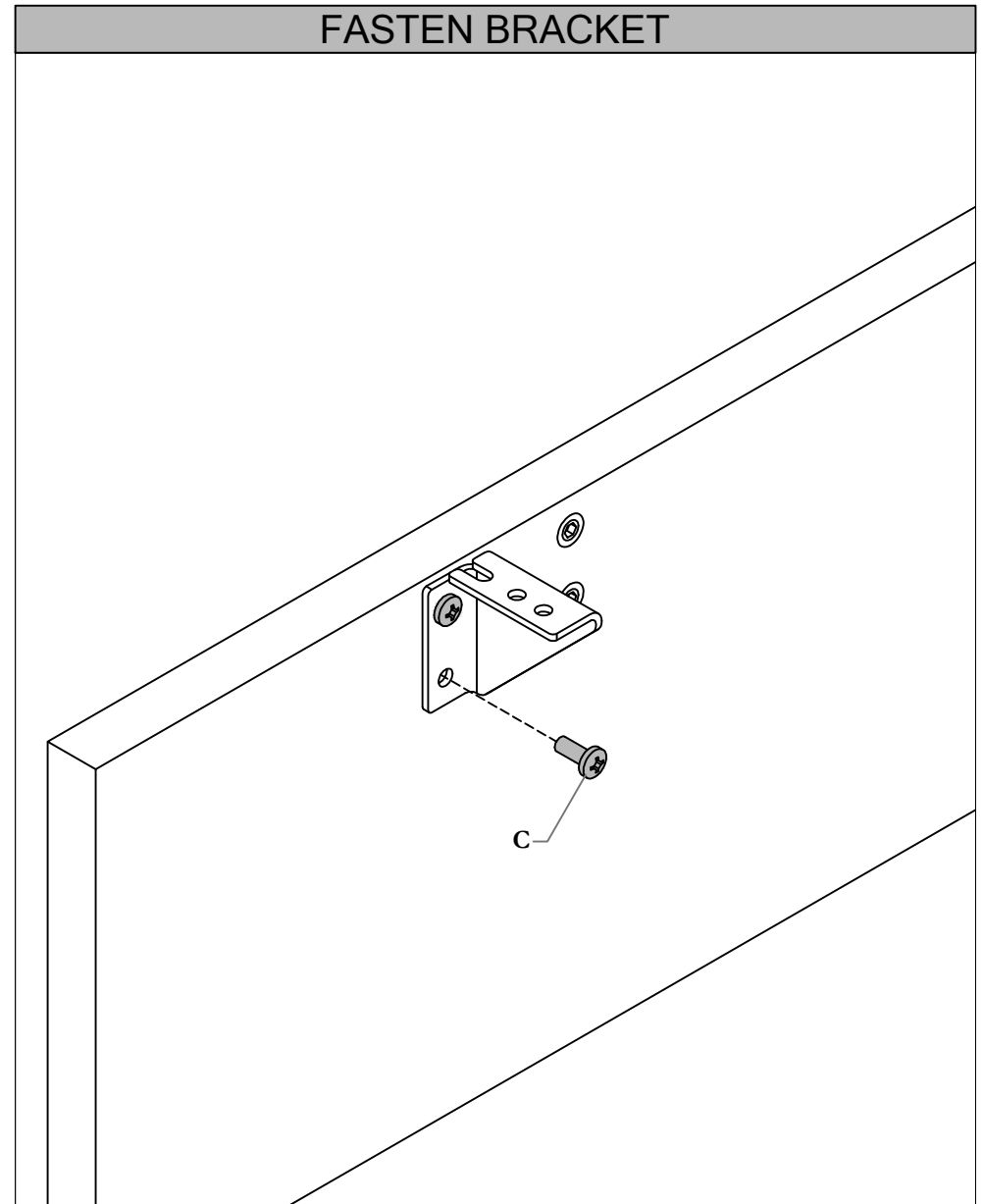
D - #12 x $\frac{3}{4}$ " Quad Pan Head
Wood Screw (E04-50017) x 4

**For Customer Support please contact
product.support@teknion.com**

BRACKETS TO MODESTY PANEL



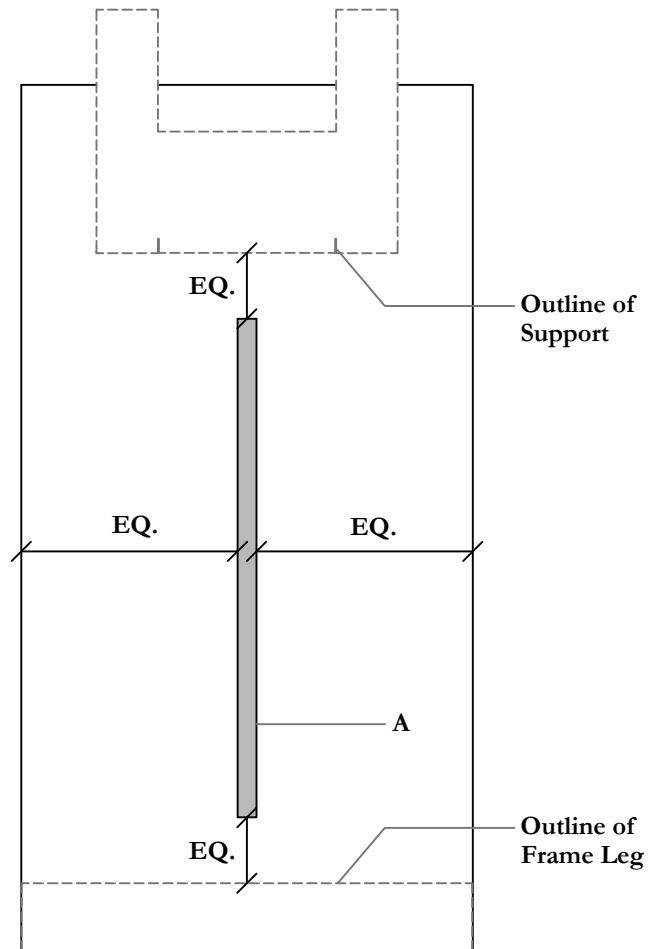
FASTEN BRACKET



STEP 1: Bring Brackets to Modesty.
NOTE: To determine the position of brackets, align holes of the Modesty Panel with the holes of the Worksurface. If NO alignment hole provided, use widest Bracket position.

STEP 2: Fasten Brackets with screws provided.

PLACEMENT OF MODESTY PANEL

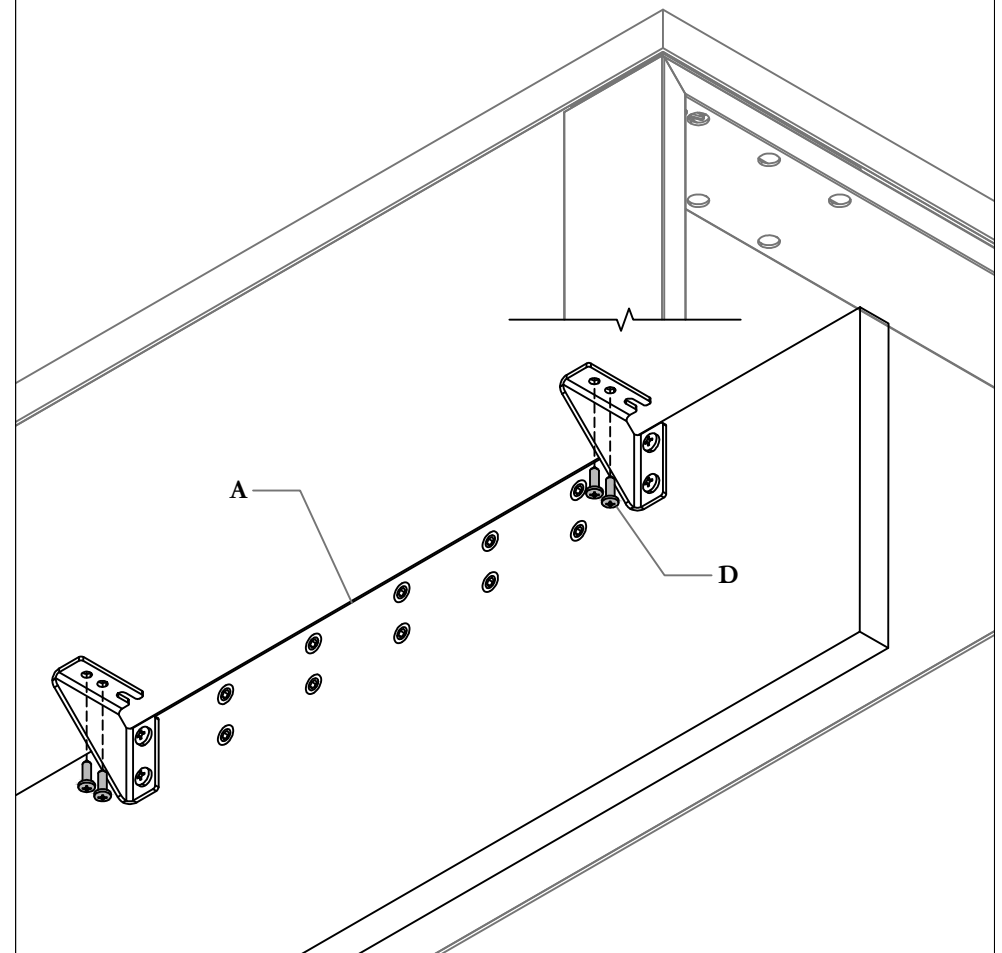


Underside View of Worksurface

STEP 3: Place Modesty Panel as shown on illustration

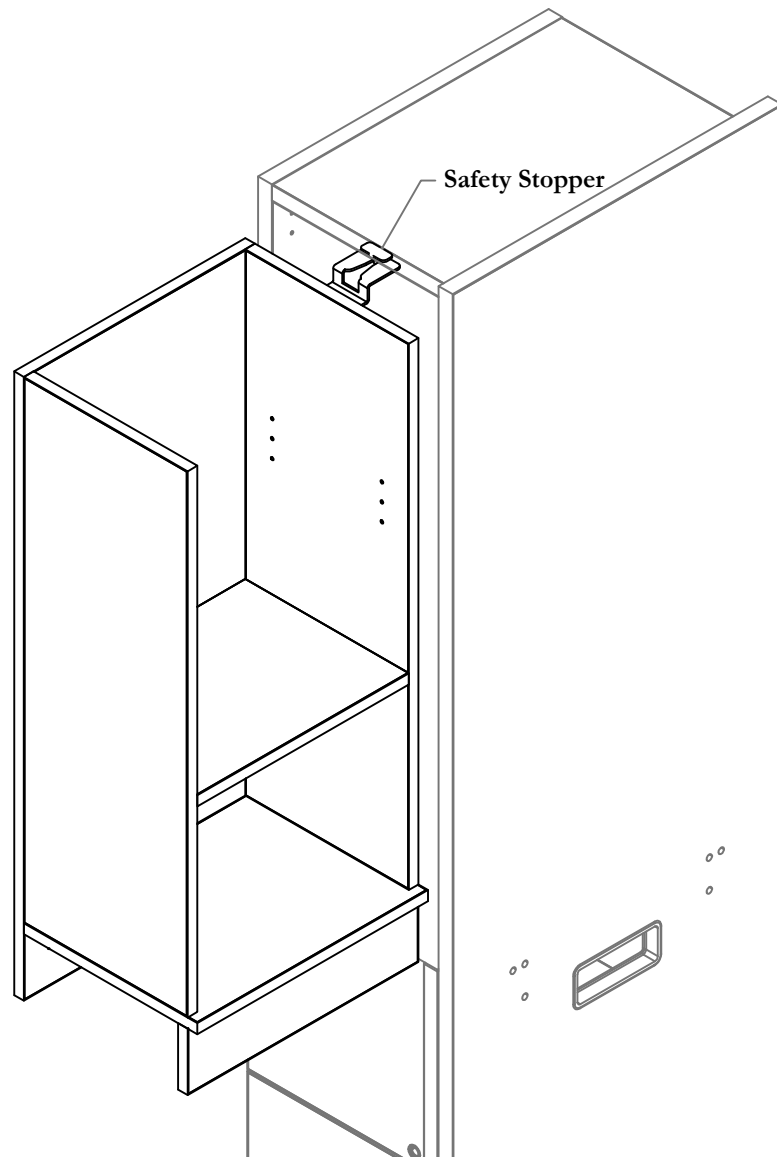
FASTEN MODESTY PANEL

Underside View of Worksurface



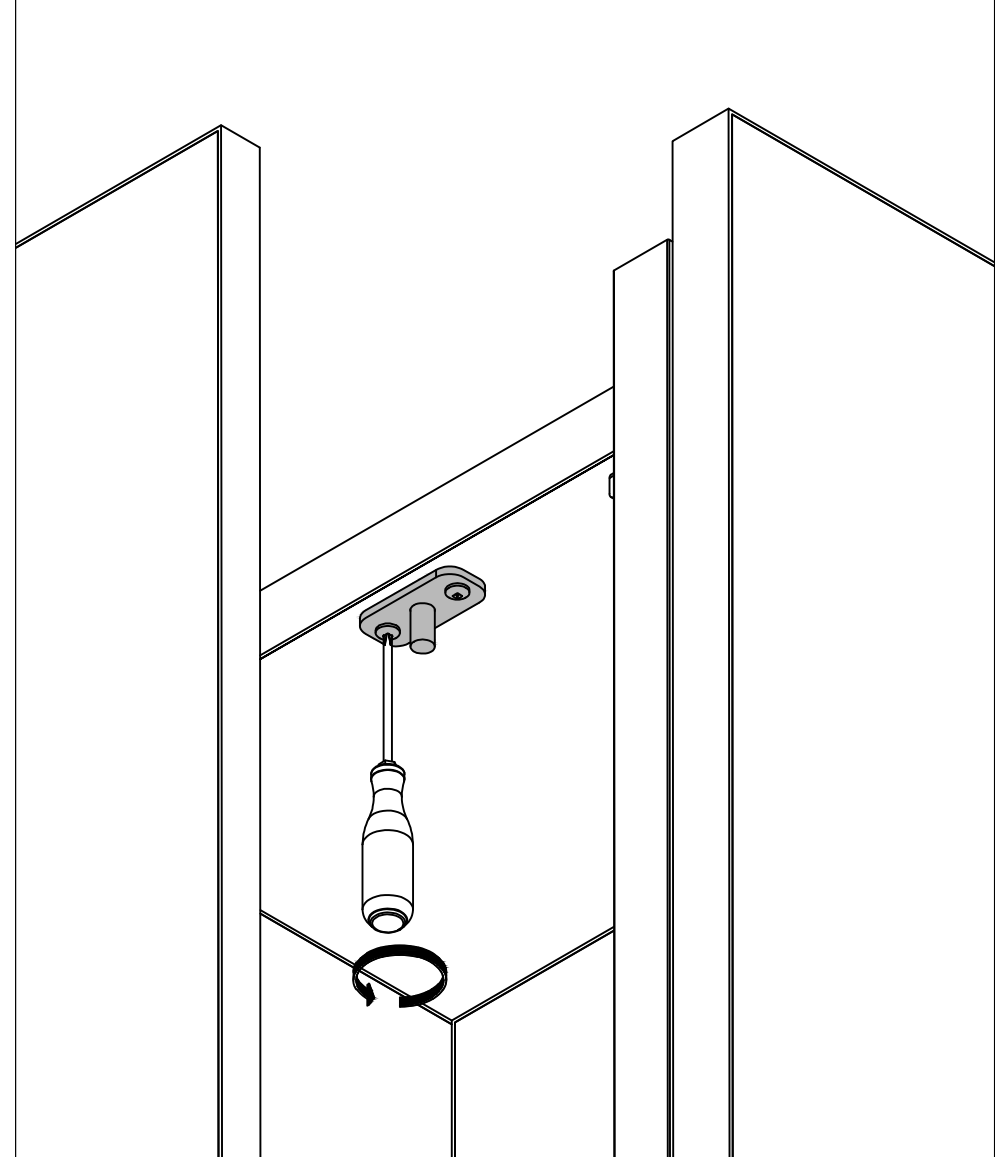
STEP 4: Fasten both Brackets to underside of Worksurface with screws provided.

SAFETY STOPPER

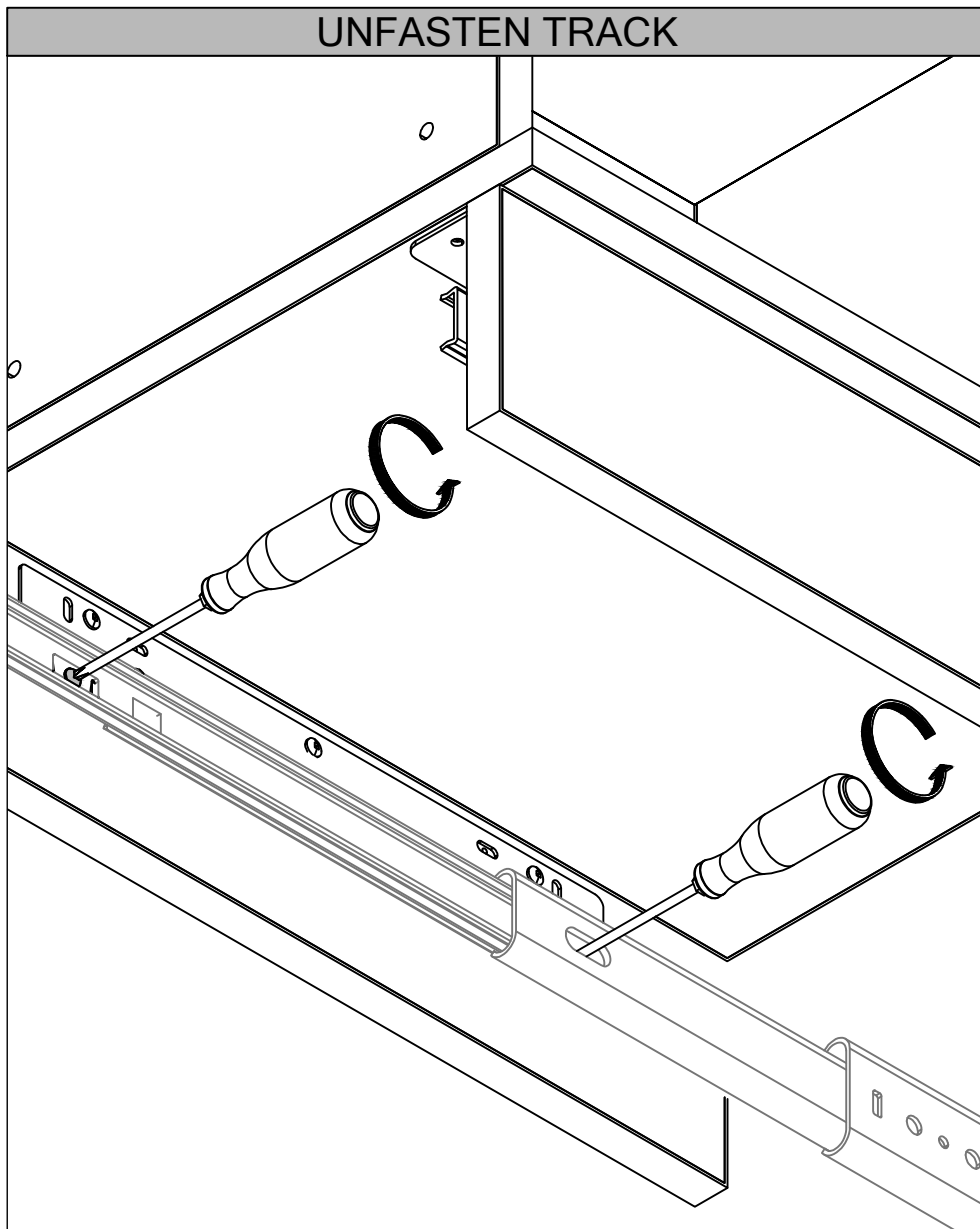


NOTE: Safety Stopper is placed in Tower so Drawers are not pulled too far out.

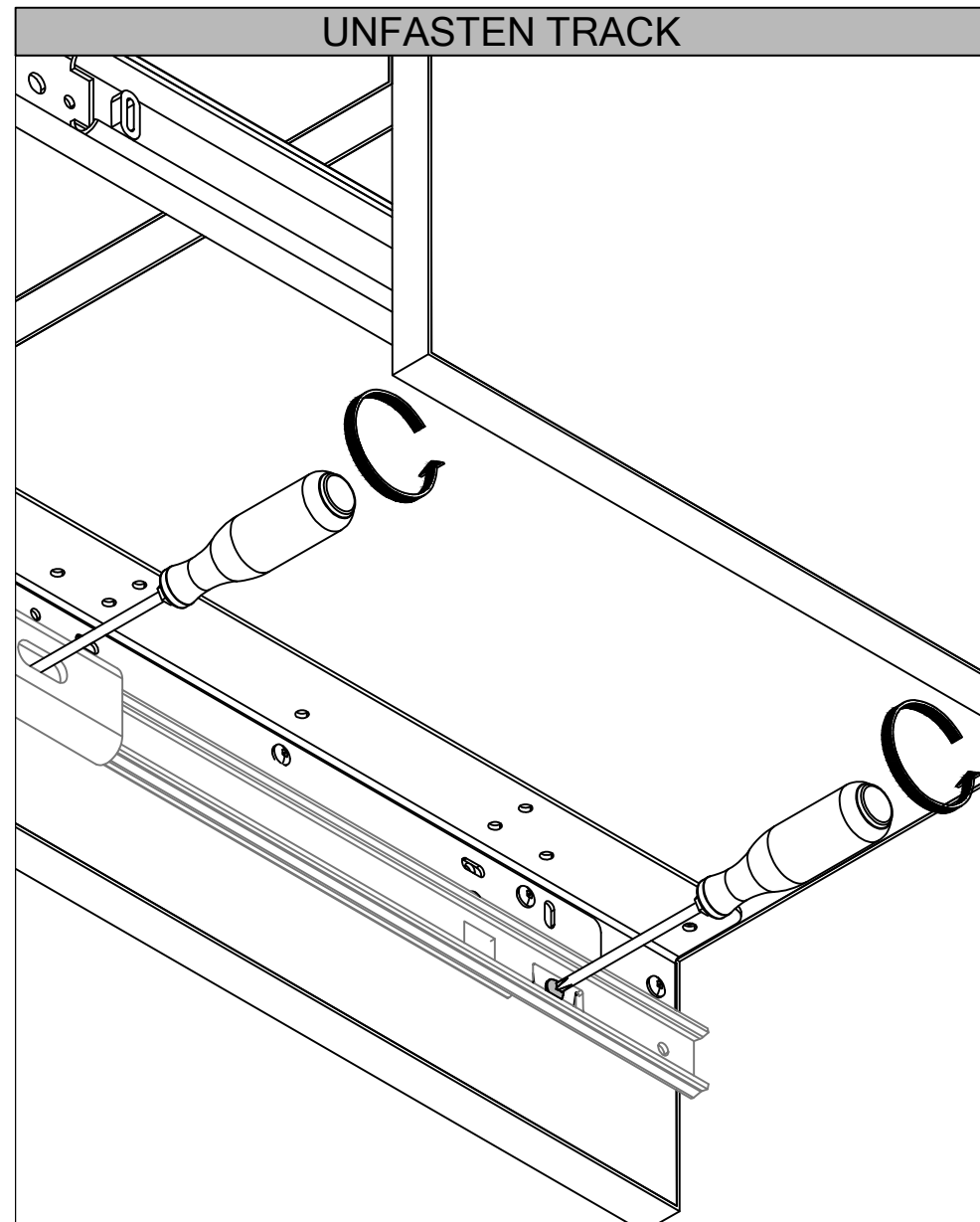
REMOVE SAFETY STOPPER



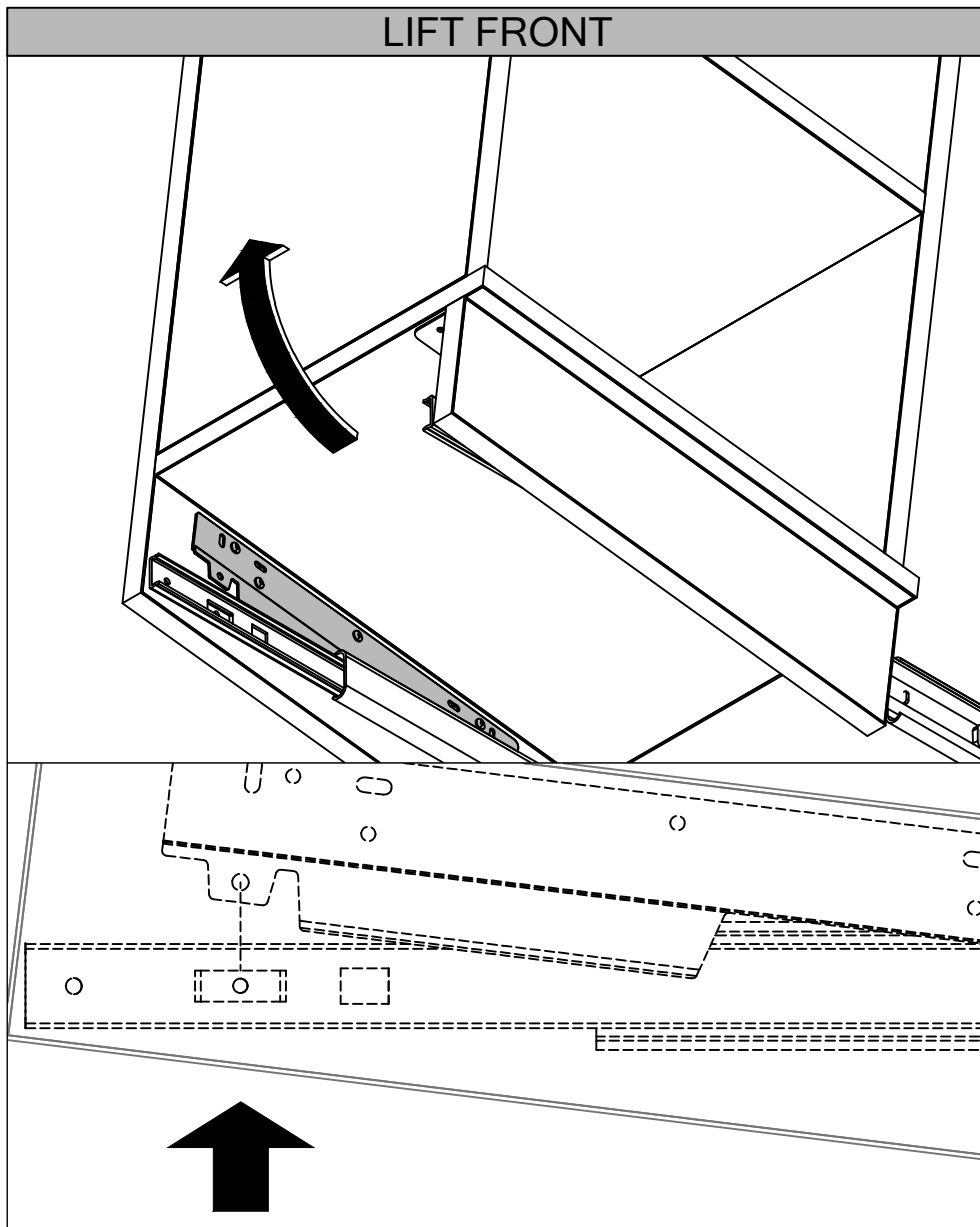
STEP 1a: Remove Safety Stopper



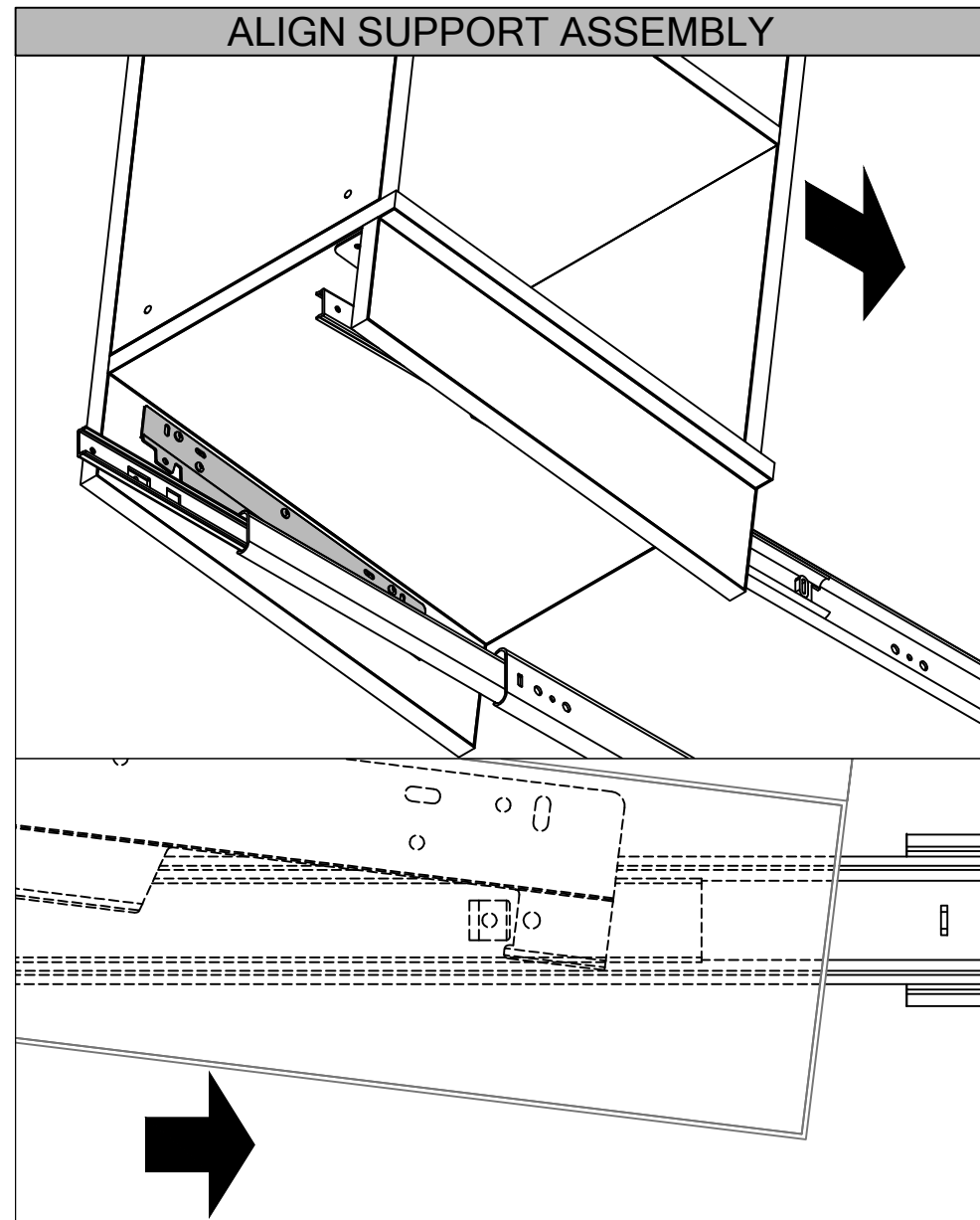
STEP 2a: Pull Drawer so Tracks are fully extended. Unfasten screw that holds Track and Bracket together



STEP 3a: Unfasten other Track.



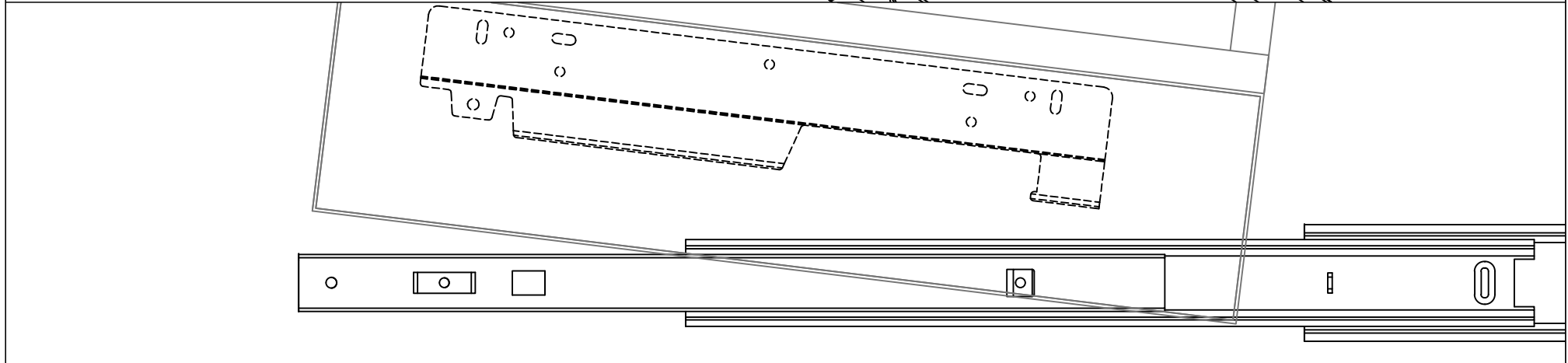
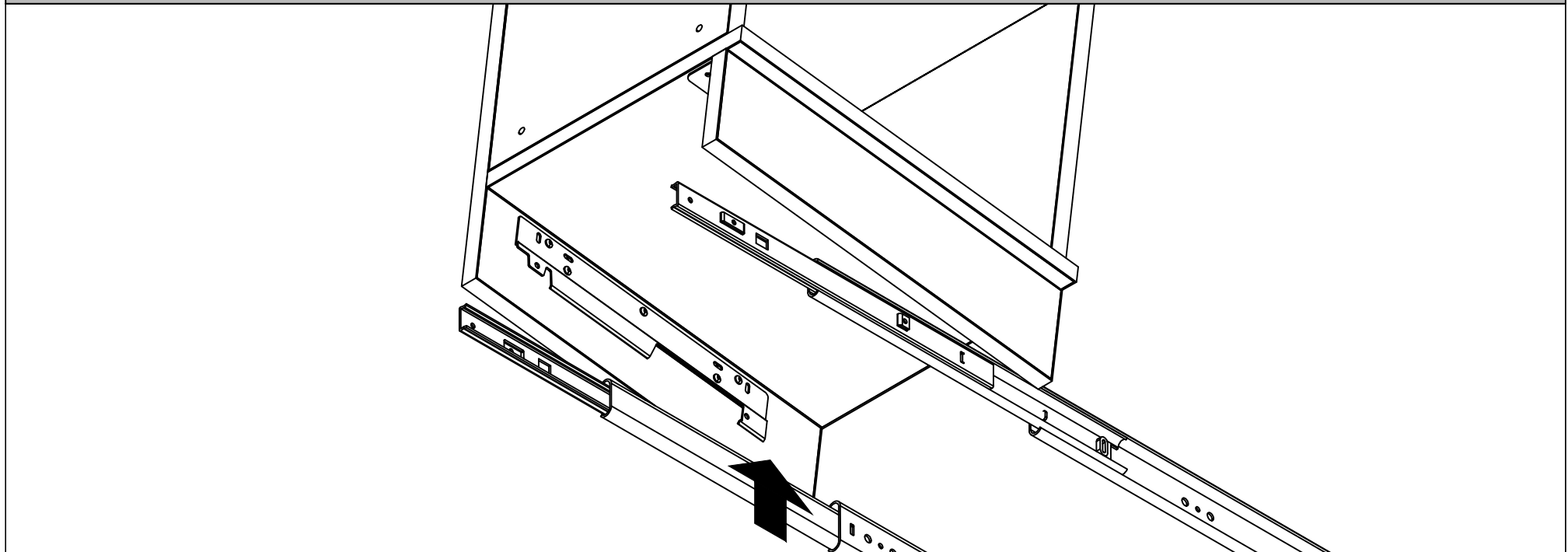
STEP 4a: Lift front of Drawer off of Track



STEP 5a: Slide Drawer back so it unhooks from Rail.

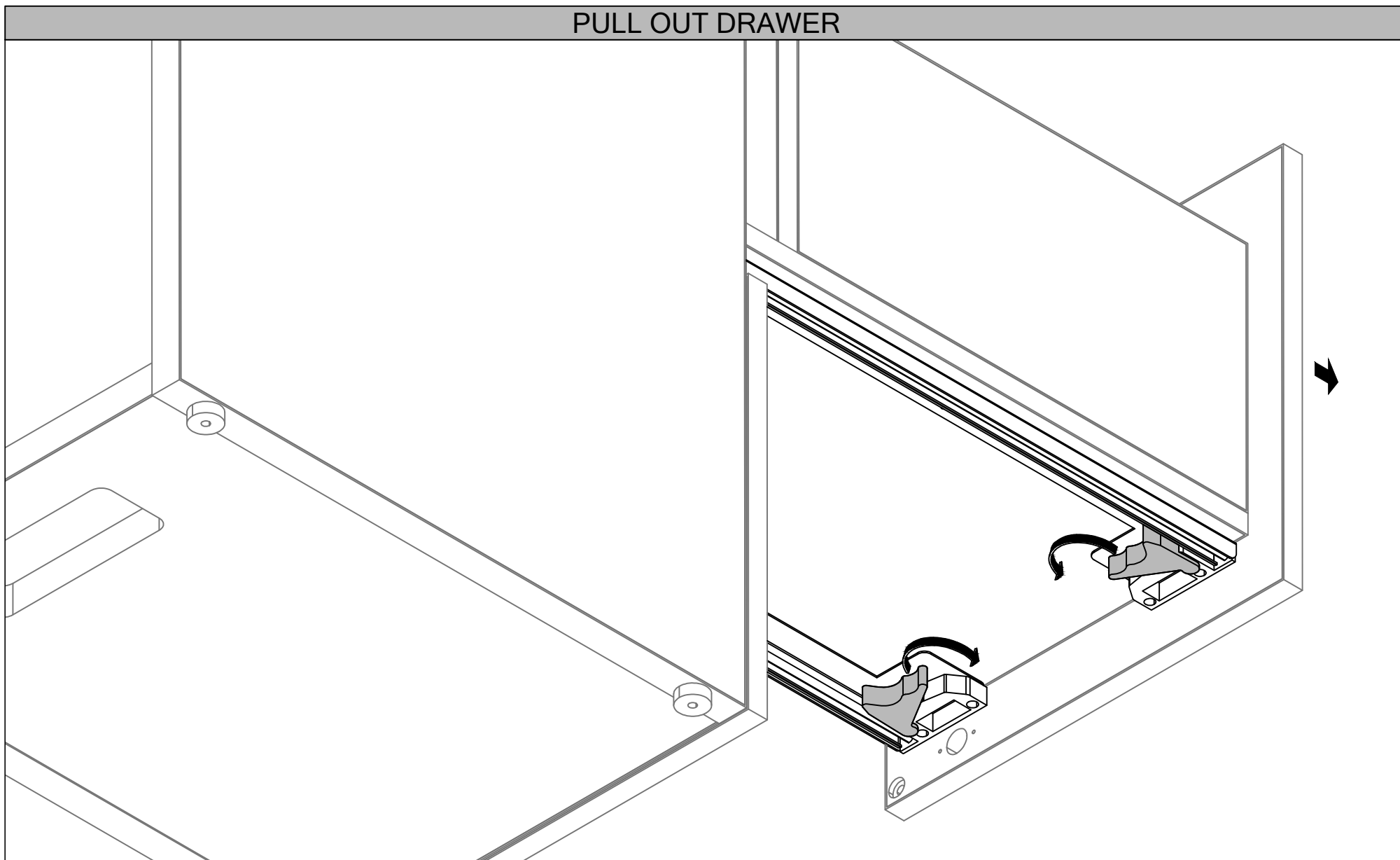
NOTE: Make sure Track stays in the full extended position

LIFT AND REMOVE



STEP 6a: Lift Drawer off Track and remove.
NOTE: To reinstall, reverse procedure.

PULL OUT DRAWER



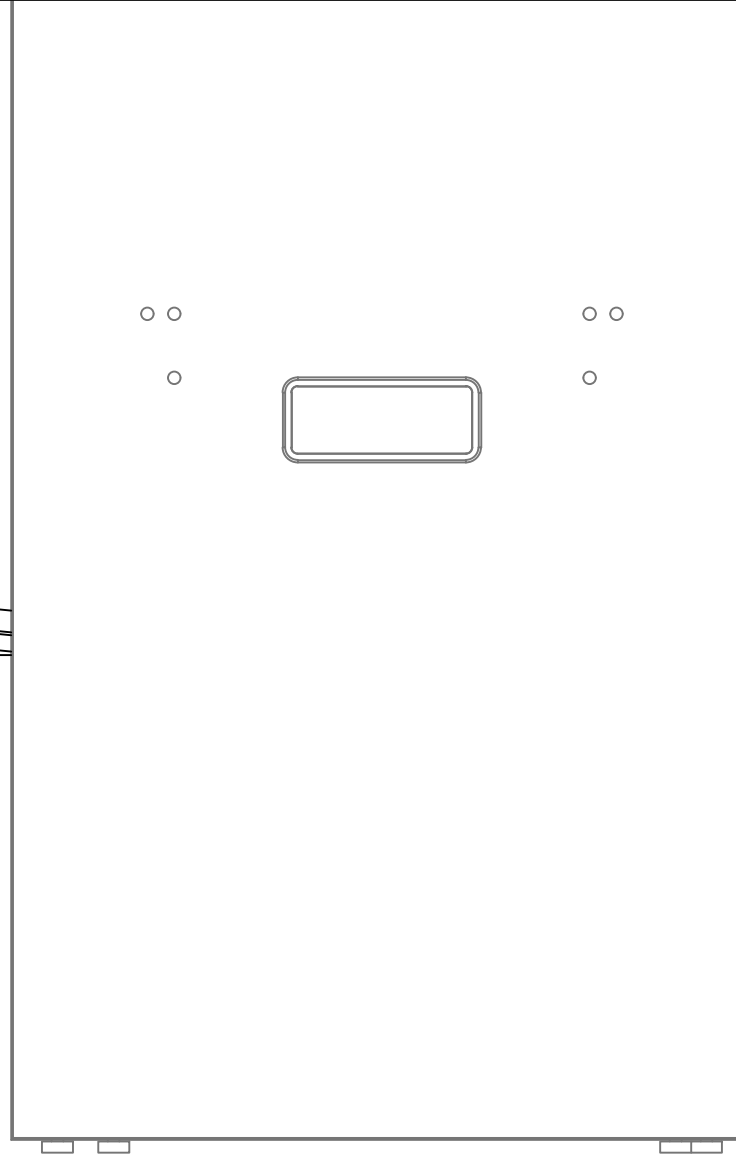
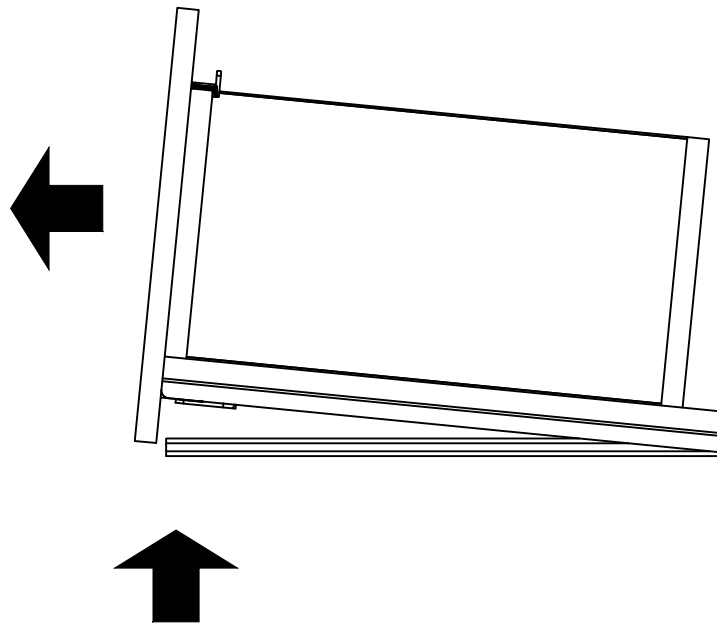
STEP 1b: Pull out Drawer so that Track is in its full extended position. Squeeze Triggers on the bottom of Drawer to release from Drawer Tracks.

Section: **DRAWER**

Date: Sep 2012 Page No: 6 of 7
SID_201

Description: **DRAWER REMOVAL - SINGLE DRAWER**

LIFT AND REMOVE



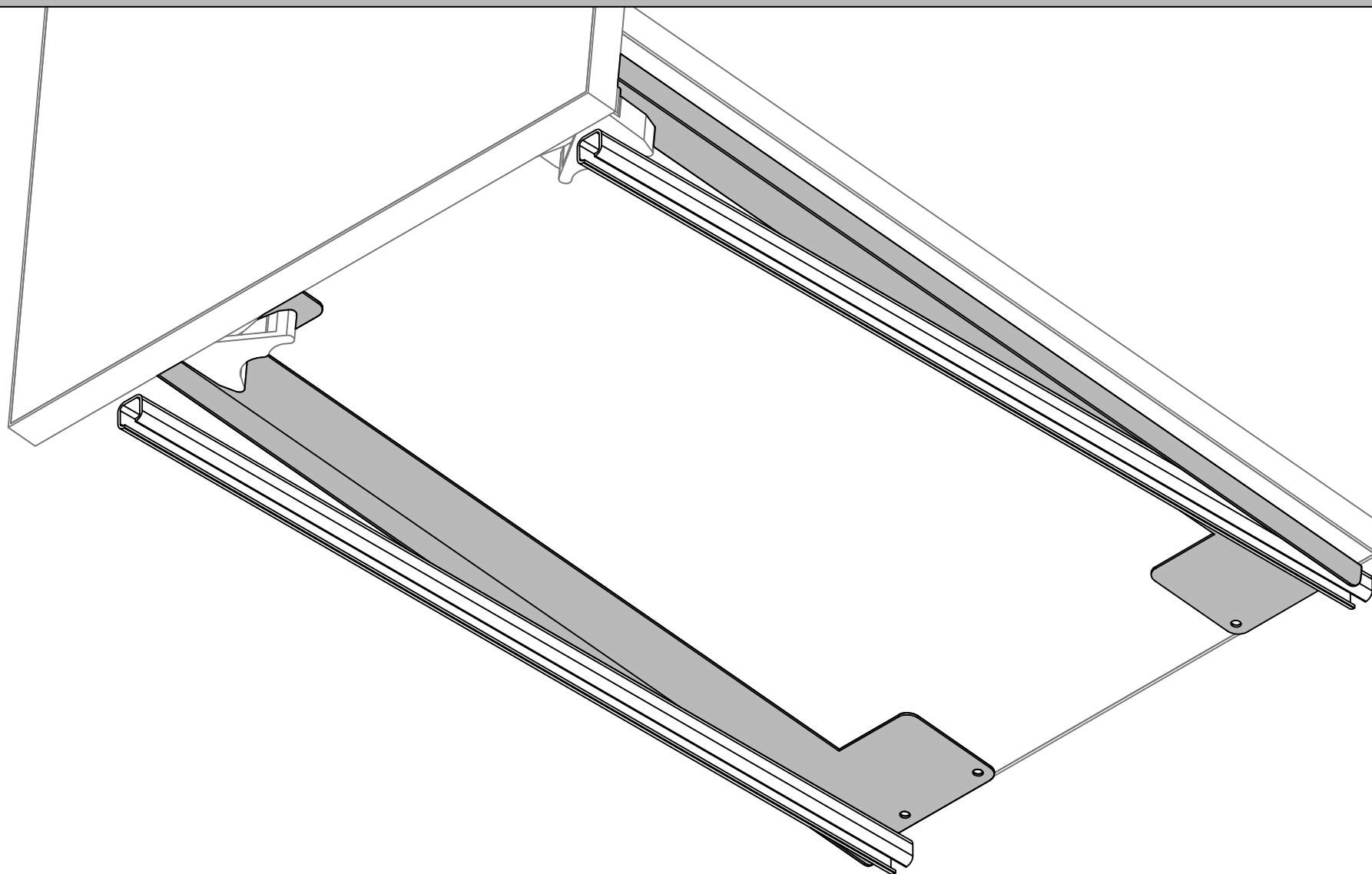
STEP 2b: Lift off Track and remove.

Section: **DRAWER**

Date: Sep 2012 Page No: 7 of 7
SID_201

Description: **DRAWER REMOVAL - SINGLE DRAWER**

REINSTALLATION



STEP 3b: To reinstall, reverse procedure.

NOTE: when reinstalling, make sure Bracket rests on the side of the Track.